

Argo
A-J
8x8

XTI

Argo
A-J
8x8

XTD



Argo 8x8

PARTS MANUAL

From Serial # ...34038

Foreword

ODG has prepared this parts manual for the XTI/XTD models to assist both qualified mechanics and vehicle owners in ordering correct, quality replacement ARGO parts. For the most current parts manual visit our website at www.argoxtv.com.

Proper and regular service, and replacing old, worn or broken parts with the correct ARGO replacement parts, are both essential to prolonging the life of the ARGO. Please refer to this parts manual and/or our website www.argoxtv.com before ordering any replacement part.

All information contained in this XTI/XTD Parts Manual is based on the latest product specification available at time of printing. If your XTI/XTD differs from the specifications contained in this manual, check our website www.argoxtv.com for the most current information.

ODG reserves the right to alter specifications on the XTI/XTD models at any time, without obligation or prior notification.

Reproduction of this XTI/XTD Parts Manual, in whole or in part, is prohibited without prior written permission from Ontario Drive & Gear Limited.

Vehicle Identification

XTI/XTD - Serial Nos. ...34038

Explanation of Parts Manual Format

Ref - Reference number between assembly diagram and component parts list

Part No. - Argo replacement part number for identification and re-ordering

Description - Part description for identification and re-ordering

Qty - Indicates the quantity of a part used in an assembly

Argo AJ8x8 XTI

Argo AJ8x8 XTD



Using the Parts Manual

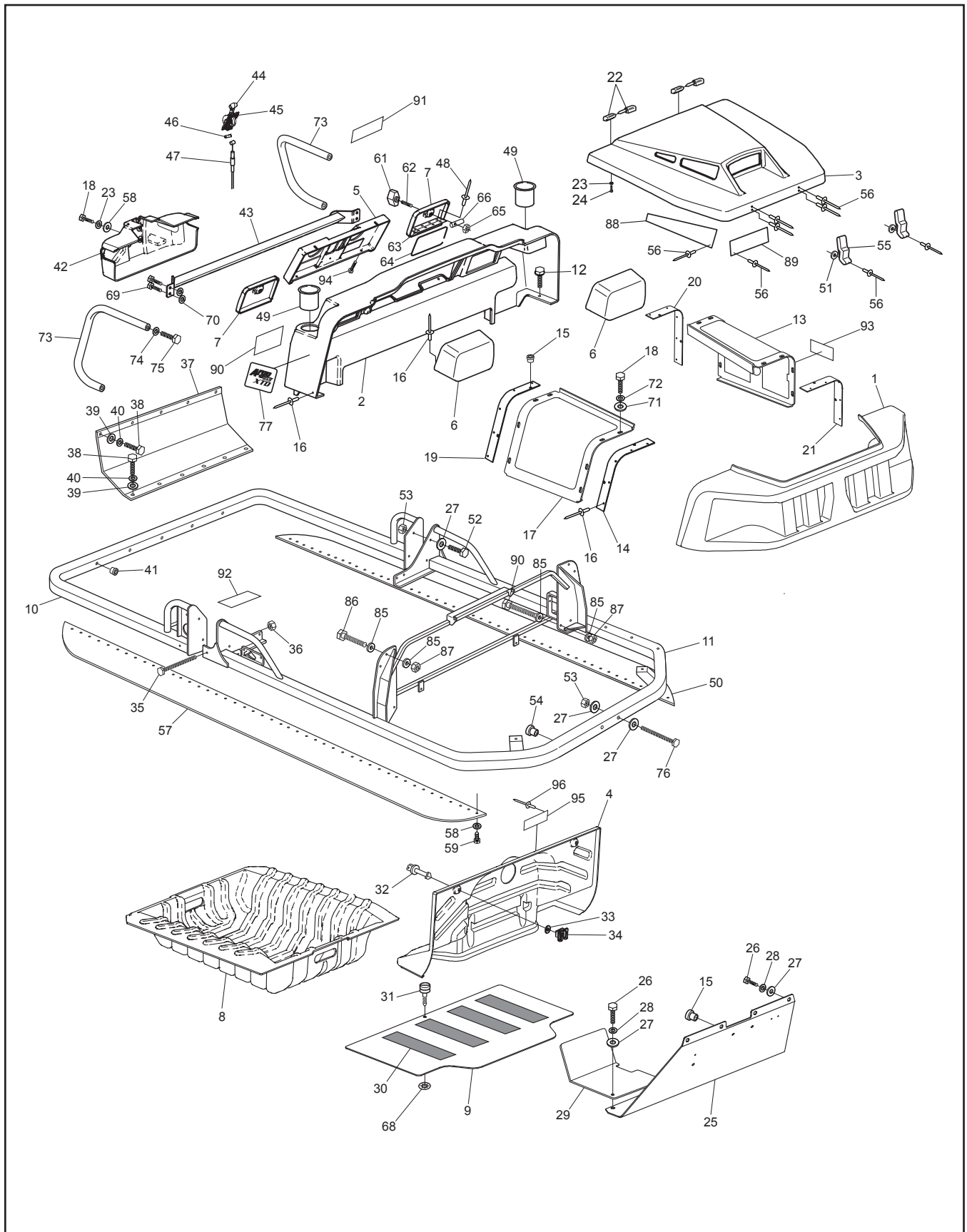
1. Find the major vehicle assembly in the Table of Contents on this page, and turn to that section.
2. Locate the part in the illustration that you wish to order.
3. Refer to the parts list in that section.
4. Find the correct part number (Part No.), part description (Description) and correct quantity (Qty).
5. Use *only* this information to order ARGO replacement parts. *DO NOT* attempt to order a replacement part by reference number or page number.

Table of Contents

| | |
|--|----|
| Foreword | i |
| Vehicle Identification..... | i |
| Using the Parts Manual | ii |
| 1.0 Upper Frame | 1 |
| 2.0 Frame and Body..... | 5 |
| 3.0 Axle Assembly | 7 |
| 4.0 Chain Tensioners..... | 8 |
| 5.0 Clutch System | 9 |
| 6.0 Intake and Exhaust System..... | 11 |
| 7.0 Power Pack Assembly | 15 |
| 8.0 Transmission | 19 |
| 8.1 Transmission Sub-Assemblies | 21 |
| 9.0 Steering & Brake System | 23 |
| 10.0 Parking Brake | 25 |
| 11.0 Alternator..... | 27 |
| 12.0 Fuel System & Seat Assembly | 29 |
| 13.0 Electrical System..... | 33 |
| 14.0 Accessories | 38 |

1.0 Upper Frame - XTI

XTI/XTD Parts Manual



XTI/XTD Parts Manual

1.0 Upper Frame - XTI

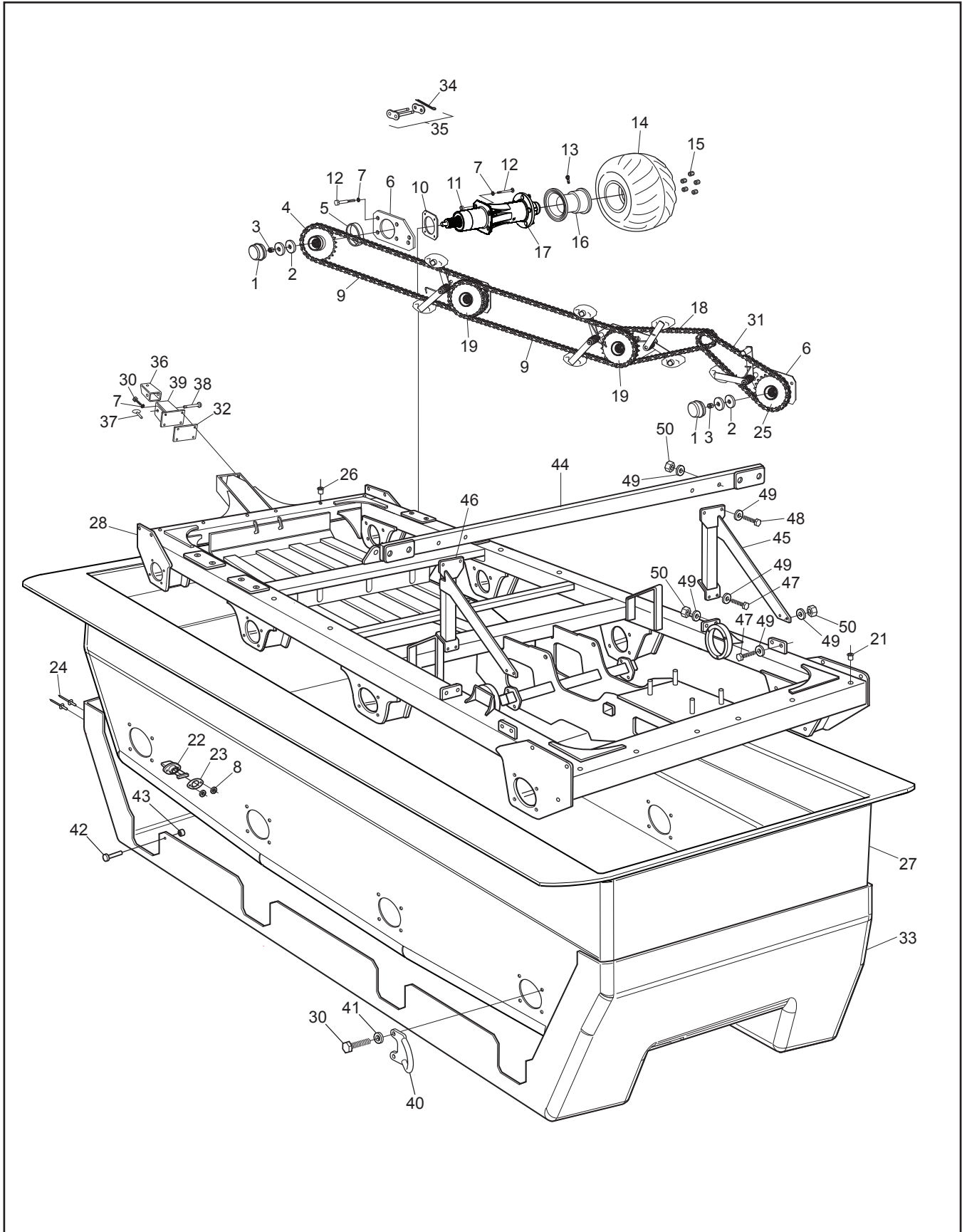
| Ref. | Qty. | Part # | Description | Ref. | Qty. | Part # | Description |
|------|------|-----------|---------------------------------------|------|------|---------|--|
| 1 | 1 | 951-01 | Body, Upper Nose - XT** | 49 | 2 | 100-109 | Cup Holder Insert |
| 2 | 1 | 951-02 | Body, Upper Dash - XT** | 50 | 1 | 801-196 | Mud Flap, 7" Wide XT, LH |
| 3 | 1 | 951-03 | Hood, XT** | 51 | 4 | 120-05 | Washer .19x.50x.04 Zn |
| 4 | 1 | 951-04 | Firewall - XT | 52 | 4 | 112-93 | HHCS M10 x 1,5 x 25mm |
| 5 | 1 | 951-06 | Panel, Dash Console - XT | 53 | 6 | 117-60 | Locknut, Nyloc M10 x 1.5mm Zn |
| 6 | 2 | 951-07 | Glovebox - XT | 54 | 4 | 117-70 | Insert, M10 x 1.5-13.5mm OD |
| 7 | 2 | 951-08 | Cover, Glovebox - XT | 55 | 2 | 602-56 | Latch, Hood - Soft Draw |
| 8 | 1 | 951-12 | Floorpan, XT | 56 | 22 | 120-11 | Rivet, 5/32 x .157-.472 |
| 9 | 1 | 953-05 | Floor Plate, Front, XT | 57 | 1 | 801-195 | Mud Flap, 7" Wide XT, RH |
| 10 | 1 | 950-33 | Upper Frame, Rear Weldt - XT | 58 | 98 | 108-08 | Washer .28 x .62 x .04 Zn |
| 11 | 1 | 950-06 | Upper Frame Weldt, XT | 59 | 94 | 112-125 | Screw, Self-Drilling 12-14 x 1.5" Zn |
| 12 | 10 | 112-204 | Screw, Self Drilling 12-14x1 | 60 | 8 | 120-14 | Rivet - 3/16 x 5/8 Black |
| 13 | 1 | 950-40 | Screen Ass'y - LH XT | 61 | 2 | 126-104 | Knob, 2 Arm, 1/4"-20 Insert |
| 14 | 1 | 952-233 | Bracket, Screen Ass'ySupport - RH FR | 62 | 2 | 126-105 | Stud, 1/4-20 x 1.75 Lg |
| 15 | 22 | 117-79 | Insert, M6 x 1,0 -10mm OD | 63 | 2 | 126-106 | Hinge, Plastic, 1-1/2x6-1/2 |
| 16 | 20 | 120-13 | Rivet - 3/16 X 3/4 Black | 64 | 2 | 126-107 | Seal, Bulb, XT Glovebox |
| 17 | 1 | 950-41 | Screen Ass'y - RH XT | 65 | 2 | 117-102 | Nut, Jam, 1/4-20 |
| 18 | 12 | 112-212 | HHCS M6 x 1,0 x 25mm Black Zn | 66 | 2 | 953-34 | Pin, Glovebox Catch, XT |
| 19 | 1 | 952-234 | Bracket, Screen Ass'y Support - RH RR | 67 | 2 | 117-27 | Locknut, Nylon 1/4-20 Zn |
| 20 | 1 | 952-232 | Bracket, Screen Ass'y Support - LH RR | 68 | 1 | 127-120 | Retainer, Fast Lead Screw - Large |
| 21 | 1 | 952-231 | Bracket, Screen Ass'y Support - LH FR | 69 | 4 | 112-63 | HHCS M8x1,25x35mm Gr5 Zn |
| 22 | 2 | 127-88L | Hinge, Engine Cover | 70 | 4 | 117-77 | Locknut, Nylon - M8x1,25mm Zn8 |
| 23 | 12 | 108-03 | Lockwasher 1/4 Split Ring Zn | 71 | 22 | 108-104 | Washer, 0.28 ID x 1.0 OD x 0.13, Black |
| 24 | 8 | 112-220 | HHCS M6 x 1,0 x 20mm | 72 | 22 | 108-105 | Lockwasher, 1/4 Split, Blk Zn |
| 25 | 1 | 953-04 | Support, Front, XT | 73 | 2 | 953-33 | Handle, Grab, XT |
| 26 | 10 | 112-133 | HHCS M10 x 1,5 x 35mm Zn | 74 | 4 | 108-35 | Washer .53x1.06x.09 Zn |
| 27 | 14 | 108-15 | Washer .42 x .81 x .05 Zn | 75 | 4 | 112-151 | HHCS 1/2-13x1" Gr2 Zn |
| 28 | 10 | 108-67 | Lockwasher M10 Split-Ring Zn | 76 | 2 | 112-120 | HHCS M10x1,5x80mm Zn |
| 29 | 1 | 850-227 | Shield, Alternator XT | 77 | 2 | 127-239 | Plate, Nameplate - XT |
| 30 | 4ft | 127-183RM | Tape, Non-Slip-4 WD x 60ft LG | 85 | 16 | 108-102 | Washer, 0.67x1.18x0.12, Zn* |
| 31 | 1 | 112-136 | Screw, Fastlead - Large | 86 | 4 | 112-208 | HHCS M16x2x50mm GrZn* |
| 32 | 2 | 112-193 | Stud, Q-Turn | 87 | 4 | 117-76 | Locknut, Nylon M16x2,0 Zn* |
| 33 | 2 | 114-24 | Retainer, Q-Turn Washer | 88 | 2 | 953-30 | Screen, Side Hood, XT |
| 34 | 2 | 117-91 | Receptacle, Q-Turn | 89 | 1 | 953-31 | Screen, Front Hood, XT |
| 35 | 2 | 112-205 | HHCS M12 x 1.75 x 80mm Zn | 90 | 1 | 126-68 | Plate, Operation |
| 36 | 2 | 112-206 | Locknut, Nylon, M12 x 1.75 Zn | 91 | 1 | 127-238 | Label, Capacity - XTI |
| 37 | 1 | 953-41 | Brace, Rear - XT | 92 | 1 | 126-69 | Plate, Fuel |
| 38 | 11 | 112-20 | HHCS M8 x 1,25 x 25mm Zn | 93 | 1 | 127-144 | Label, Warning HOT |
| 39 | 11 | 108-24 | Washer .34 x .70 x .06 Zn | 94 | 4 | 112-182 | HHCS 10-24 x .75 Zn |
| 40 | 11 | 108-05 | Lockwasher 5/16 Split-Ring Zn | 95 | 1 | 129-01 | Plate, Geared By ODG |
| 41 | 5 | 117-69 | Insert, M8x1.25-13.5 mm OD | 96 | 4 | 120-13 | Rivet - 3/16 x 3/4 Black |
| 42 | 1 | 951-05 | Cover, Steering Assembly - XT | | | | * If equipped |
| 43 | 1 | 950-10 | Weldt, Steering Bar | | | | ** Specify colour |
| 44 | 1 | 127-212 | Pivot, Hi-Lo Shifter | | | | |
| 45 | 1 | 127-211 | Bracket, Hi-Lo Shifter | | | | |
| 46 | 1 | 104-66 | Pin, HD Shift Cable Threaded | | | | |
| 47 | 1 | 127-223 | Cable, Hi-Lo Shift Threaded | | | | |
| 48 | 16 | 120-09 | Rivet - 3/16 x 1.0 Black | | | | |

XTI/XTD Parts Manual

1.0 Upper Frame - XTD

| Ref. | Qty. | Part # | Description | Ref. | Qty. | Part # | Description |
|------|------|-----------|---------------------------------------|------|------|---------|--|
| 1 | 1 | 951-01 | Body, Upper Nose - XT** | 52 | 4 | 112-93 | HHCS M10 x 1,5 x 25mm |
| 2 | 1 | 951-02 | Body, Upper Dash - XT** | 53 | 6 | 117-60 | Locknut, Nyloc M10x1.5mm Zn |
| 3 | 1 | 951-03 | Hood, XT** | 54 | 4 | 117-70 | Insert, M10 x 1.5-13.5mm OD |
| 4 | 1 | 951-04 | Firewall - XT | 55 | 2 | 602-56 | Latch, Hood - Soft Draw |
| 5 | 1 | 951-06 | Panel, Dash Console - XT | 56 | 22 | 120-11 | Rivet, 5/32 x .157-.472 |
| 6 | 2 | 951-07 | Glovebox - XT | 57 | 1 | 801-195 | Mud Flap, 7" Wide XT, RH |
| 7 | 2 | 951-08 | Cover, Glovebox - XT | 58 | 98 | 108-08 | Washer .28 x .62 x .04 Zn |
| 8 | 1 | 951-12 | Floorpan, XT | 59 | 94 | 112-125 | Screw, Self-Drilling 12-14 x 1.5" Zn |
| 9 | 1 | 953-05 | Floor Plate, Front, XT | 60 | 8 | 120-14 | Rivet - 3/16 x 5/8 Black |
| 10 | 1 | 950-33 | Upper Frame, Rear Weldt XT | 61 | 2 | 126-104 | Knob, 2 Arm, 1/4"-20 Insert |
| 11 | 1 | 950-06 | Upper Frame Weldt, XT | 62 | 2 | 126-105 | Stud, 1/4-20 x 1.75 Lg |
| 12 | 10 | 112-204 | Screw, Self Drilling 12-14x1 | 63 | 2 | 126-106 | Hinge, Plastic, 1-1/2x6-1/2 |
| 13 | 1 | 950-40 | Screen Ass'y - LH XT | 64 | 2 | 126-107 | Seal, Bulb, XT Glovebox |
| 14 | 1 | 952-233 | Bracket, Screen Ass'ySupport - RH FR | 65 | 2 | 117-102 | Nut, Jam, 1/4-20 |
| 15 | 22 | 117-79 | Insert, M6 x 1,0 -10mm OD | 66 | 2 | 953-34 | Pin, Glovebox Catch, XT |
| 16 | 20 | 120-13 | Rivet - 3/16 X 3/4 Black | 67 | 2 | 117-27 | Locknut, Nylon 1/4-20 Zn |
| 17 | 1 | 950-41 | Screen Ass'y - RH XT | 68 | 1 | 127-120 | Retainer, Fast Lead Screw - Large |
| 18 | 12 | 112-212 | HHCS M6 x 1,0 x 25mm Black Zn | 69 | 4 | 112-63 | HHCS M8x1,25x35mm Gr5 Zn |
| 19 | 1 | 952-234 | Bracket, Screen Ass'y Support - RH RR | 70 | 4 | 117-77 | Locknut, Nylon - M8x1,25mm Zn8 |
| 20 | 1 | 952-232 | Bracket, Screen Ass'y Support - LH RR | 71 | 22 | 108-104 | Washer, 0.28 ID x 1.0 OD x 0.13, Black |
| 21 | 1 | 952-231 | Bracket, Screen Ass'y Support - LH FR | 72 | 22 | 108-105 | Lockwasher, 1/4 Split, Blk Zn |
| 22 | 2 | 127-88L | Hinge, Engine Cover | 73 | 2 | 953-33 | Handle, Grab, XT |
| 23 | 12 | 108-03 | Lockwasher 1/4 Split Ring Zn | 74 | 4 | 108-35 | Washer .53x1.06x.09 Zn |
| 24 | 8 | 112-220 | HHCS M6 x 1,0 x 20mm | 75 | 4 | 112-151 | HHCS 1/2-13x1" Gr2 Zn |
| 25 | 1 | 953-04 | Support, Front, XT | 76 | 2 | 112-120 | HHCS M10x1,5x80mm Zn |
| 26 | 8 | 112-133 | HHCS M10 x 1,5 x 35mm Zn | 77 | 2 | 127-289 | Plate, Nameplate - XTD |
| 27 | 12 | 108-15 | Washer .42 x .81 x .05 Zn | 85 | 24 | 108-102 | Washer, 0.67x1.18x0.12, Zn* |
| 28 | 8 | 108-67 | Lockwasher M10 Split-Ring Zn | 86 | 4 | 112-208 | HHCS M16x2x50mm Gr Zn* |
| 30 | 4ft | 127-183RM | Tape, Non-Slip-4 WD x 60ft LG | 87 | 8 | 117-76 | Locknut, Nylon M16x2,0 Zn* |
| 31 | 1 | 112-136 | Screw, Fastlead - Large | 88 | 2 | 953-30 | Screen, Side Hood, XT |
| 32 | 2 | 112-193 | Stud, Q-Turn | 89 | 1 | 953-31 | Screen, Front Hood, XT |
| 33 | 2 | 114-24 | Retainer, Q-Turn Washer | 90 | 4 | 112-207 | HHCS M16x2x70mm Gr8.8 Zn |
| 34 | 2 | 117-91 | Receptacle, Q-Turn | 90 | 1 | 126-68 | Plate, Operation |
| 35 | 2 | 112-205 | HHCS M12 x 1.75 x 80mm Zn | 91 | 1 | 127-291 | Label, Capacity - XTD |
| 36 | 2 | 112-206 | Locknut, Nylon, M12 x 1.75 Zn | 92 | 1 | 126-69 | Plate, Fuel |
| 37 | 1 | 953-41 | Brace, Rear - XT | 93 | 1 | 127-144 | Label, Warning HOT |
| 38 | 11 | 112-20 | HHCS M8 x 1,25 x 25mm Zn | 94 | 4 | 112-182 | HHCS 10-24 x .75 Zn |
| 39 | 11 | 108-24 | Washer .34 x .70 x .06 Zn | 95 | 1 | 129-01 | Plate, Geared By ODG |
| 40 | 11 | 108-05 | Lockwasher 5/16 Split-Ring Zn | 96 | 4 | 120-13 | Rivet - 3/16 x 3/4 Black |
| 41 | 5 | 117-69 | Insert, M8x1.25-13.5 mm OD | | | | |
| 42 | 1 | 951-05 | Cover, Steering Assembly - XT | | | | |
| 43 | 1 | 950-10 | Weldt, Steering Bar | | | | |
| 44 | 1 | 127-212 | Pivot, Hi-Lo Shifter | | | | |
| 45 | 1 | 127-211 | Bracket, Hi-Lo Shifter | | | | |
| 46 | 1 | 104-66 | Pin, HD Shift Cable Threaded | | | | |
| 47 | 1 | 127-223 | Cable, Hi-Lo Shift Threaded | | | | |
| 48 | 16 | 120-09 | Rivet - 3/16 x 1.0 Black | | | | |
| 49 | 2 | 100-109 | Cup Holder Insert | | | | |
| 50 | 1 | 801-196 | Mud Flap, 7" Wide XT, LH | | | | |
| 51 | 4 | 120-05 | Washer .19x.50x.04 Zn | | | | |

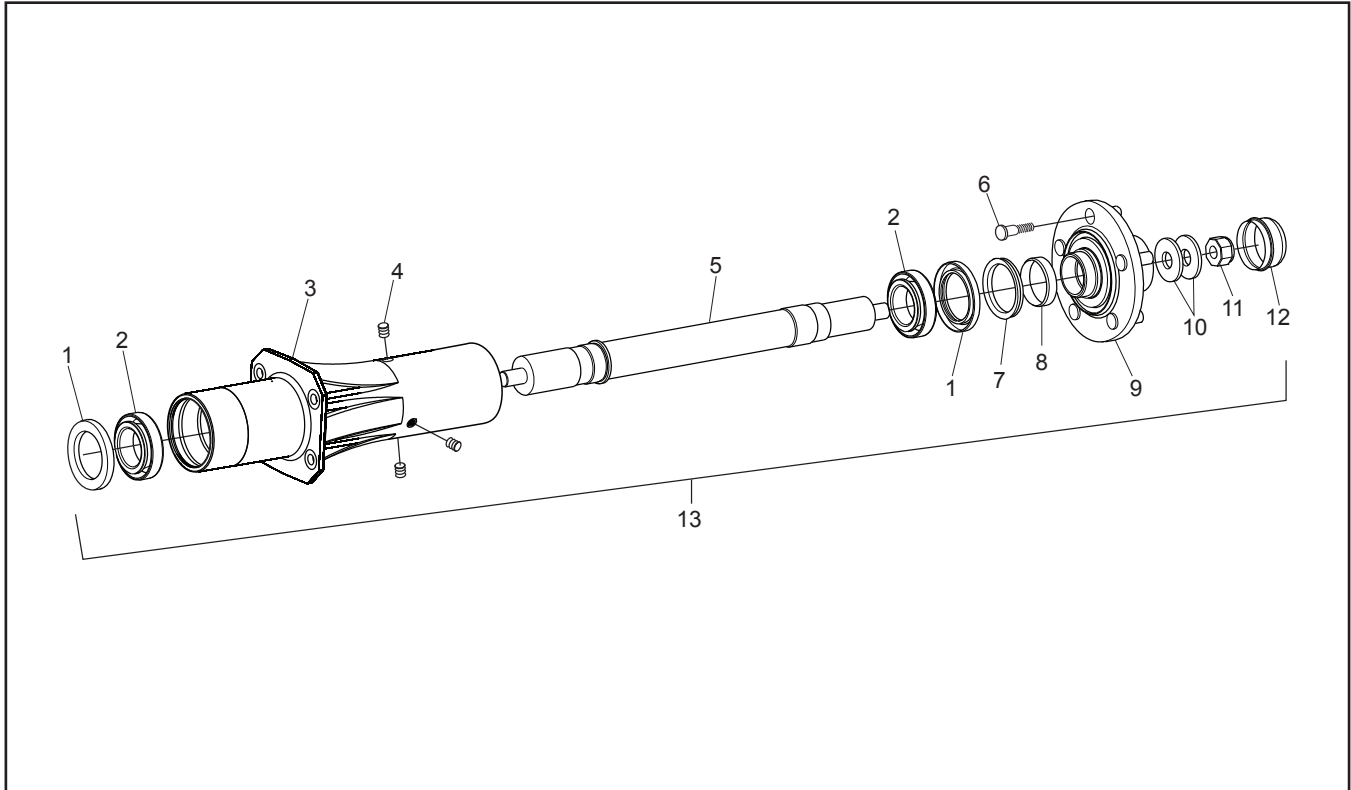
* If equipped
** Specify colour



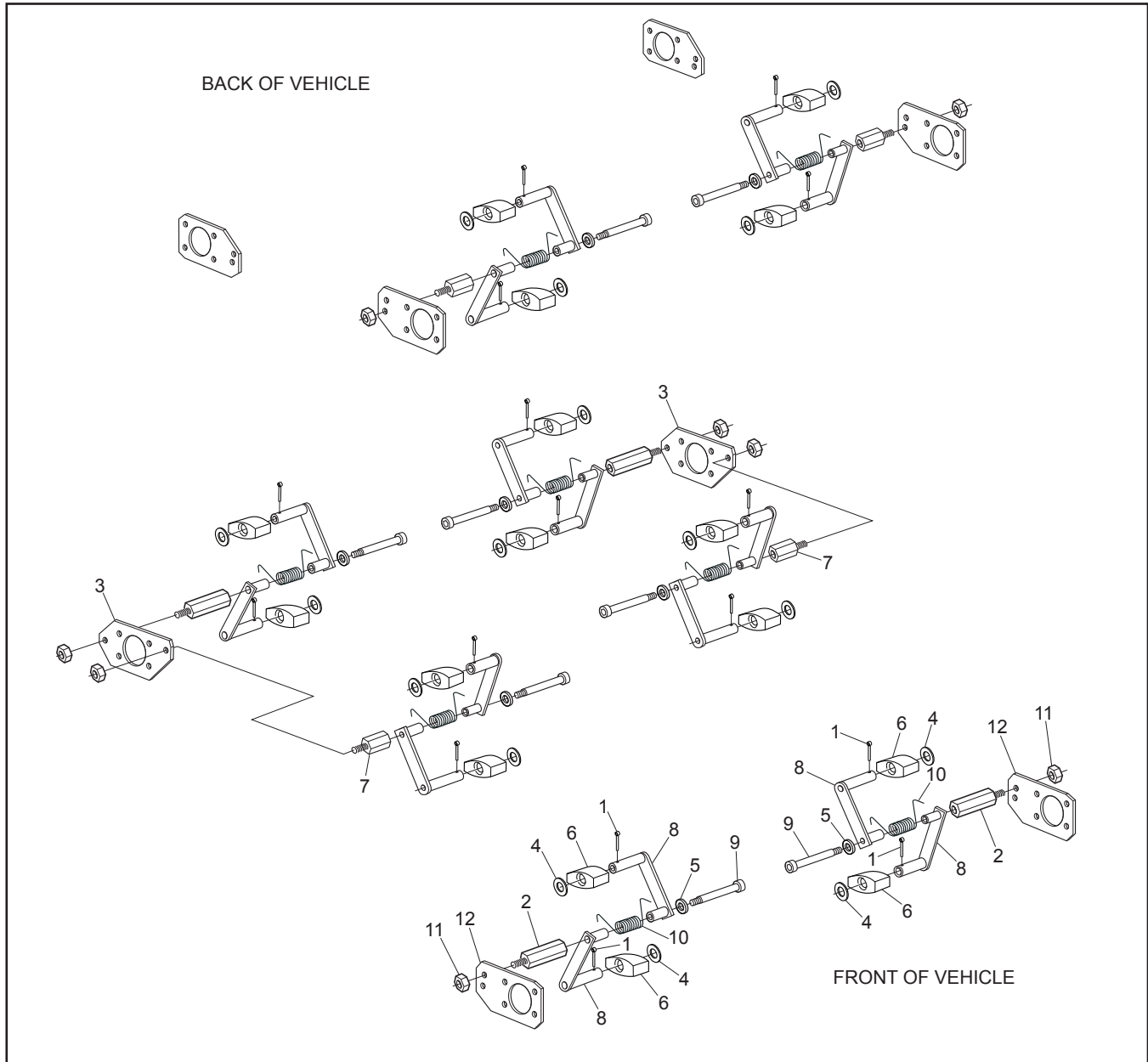
| Ref. | Qty. | Part # | Description |
|------|------|------------|---|
| 1 | 8 | 805-120 | Cap, Bearing Dust - 2.0 Plated |
| 2 | 16 | 108-40 | Washer .68 x 1.77 x .16 Zn |
| 3 | 8 | 117-72 | Locknut, Nylon - M16 x 1,5 Zn |
| 4 | 2 | 805-136 | Sprocket Asm, Rear -S60 x 24T |
| 5 | 8 | 805-108 | Bushing, 1.97 Od, 1.82 Id x .46 |
| 6 | | | See Section 5.0 Chain Tensioners |
| 7 | 68 | 108-67 | Lockwasher M10 Split Ring Zn |
| 8 | 4 | 120-04 | Washer .19 x .50 x .08 Zn |
| 9 | 4 | 953-16 | Chain, RC60-1-HD X 96P |
| 10 | 8 | 805-121 | Gasket, Flange |
| 11 | 32 | 805-114 | Bushing .75 x .58 x .25 Zn |
| 12 | 60 | 112-133 | HHCS M10 x 1,5 x 35mm Zn |
| 13 | 8 | 125-26 | Valve, Tire |
| 14 | 8 | 127-182 | Tire, Argo 25 x 12-9 |
| 15 | 40 | 117-74 | Nut, Wheel M12 x 1,25 Zn |
| 16 | 8 | 127-61BL | Rim - 10 x 9 -Black |
| 17 | 8 | 805-133 | Axle Asm, Centaur |
| 18 | 2 | 953-15 | Chain, RC60-1-HD x 58P |
| 19 | 4 | 805-135 | Sprocket Asm, Mid - S60 x 2 x 24T |
| 20 | | 126-60 | Vinyl Strip 1/2" x 1/4" |
| 21 | 10 | 117-70 | Insert, M10 x 1.5-13.5mm OD |
| 22 | 2 | 100-107 | Plug, Drain - Flanged |
| 23 | 2 | 100-114 | Gasket, Drain Plug |
| 24 | 4 | 120-09 | Rivet 3/16 x 1 - Black |
| 25 | 2 | 805-137 | Sprocket Asm, Front - S60 x 24T |
| 26 | 6 | 117-69 | Insert, M8 x 1.25-13.5mm OD |
| 27 | 1 | 951-15 | Body, Lower - XTI |
| 28 | 1 | 950-05 | Frame Asm, XTI |
| | 1 | 950-38 | Frame, Chassis - XTD |
| | 1 | 958-274 | Wldt, Frame, Outfitter |
| 29 | | 953-32 | Link, 2P Offset, RC60HD |
| 30 | 8 | 112-92 | HHCS M10 x 1,5 x 40mm Zn |
| 31 | 2 | 953-14 | Chain, RC60-1-HD x 54P |
| 32 | 1 | 616-20 | Gasket, Rear Hitch |
| 33 | 1 | 801-123SKD | Skid Plate - Centaur |
| 34 | | 100-116 | Pin, Cotter - .09 x .63 |
| 35 | | 953-12 | Link, RC60-1-HD, Slip Fit |
| 36 | 1 | 616-19 | Tube, Hitch |
| 37 | 1 | 104-11 | Pin, Lynch |
| 38 | 1 | 104-13 | Pin, Top Link |
| 39 | 1 | 616-16 | Hitch Draw Bar Assembly |
| 40 | 2 | 642-84 | Tie Down |
| 41 | 8 | 108-15 | Washer .42x.81x.05 Zn |
| 42 | 36 | 120-27 | Pin, Magna Grip, Black Zn |
| 43 | 36 | 120-28 | Collar, Magna Grip Zinc Dichro |
| 44 | 1 | 956-04 | Support, ROPS, Horizontal |
| 45 | 1 | 956-05 | Support, ROPS Vertical, LH |
| 46 | 1 | 956-06 | Support, ROPS Vertical, RH |
| 47 | 4 | 112-93 | HHCS M10 x 1,5 x 25mm |
| 48 | 4 | 112-22 | HHCS M10 x 1,5 x 35mm |
| 49 | 24 | 108-101 | Washer, 10mm, DIN125A |
| 50 | 12 | 117-60 | Locknut, Nyloc M10 x 1.5mm Zn8 |
| 51 | 8 | 117-76 | Locknut, Nylon - M16 x 1.5 Zn |

3.0 Axle Assembly

XTI/XTD Parts Manual



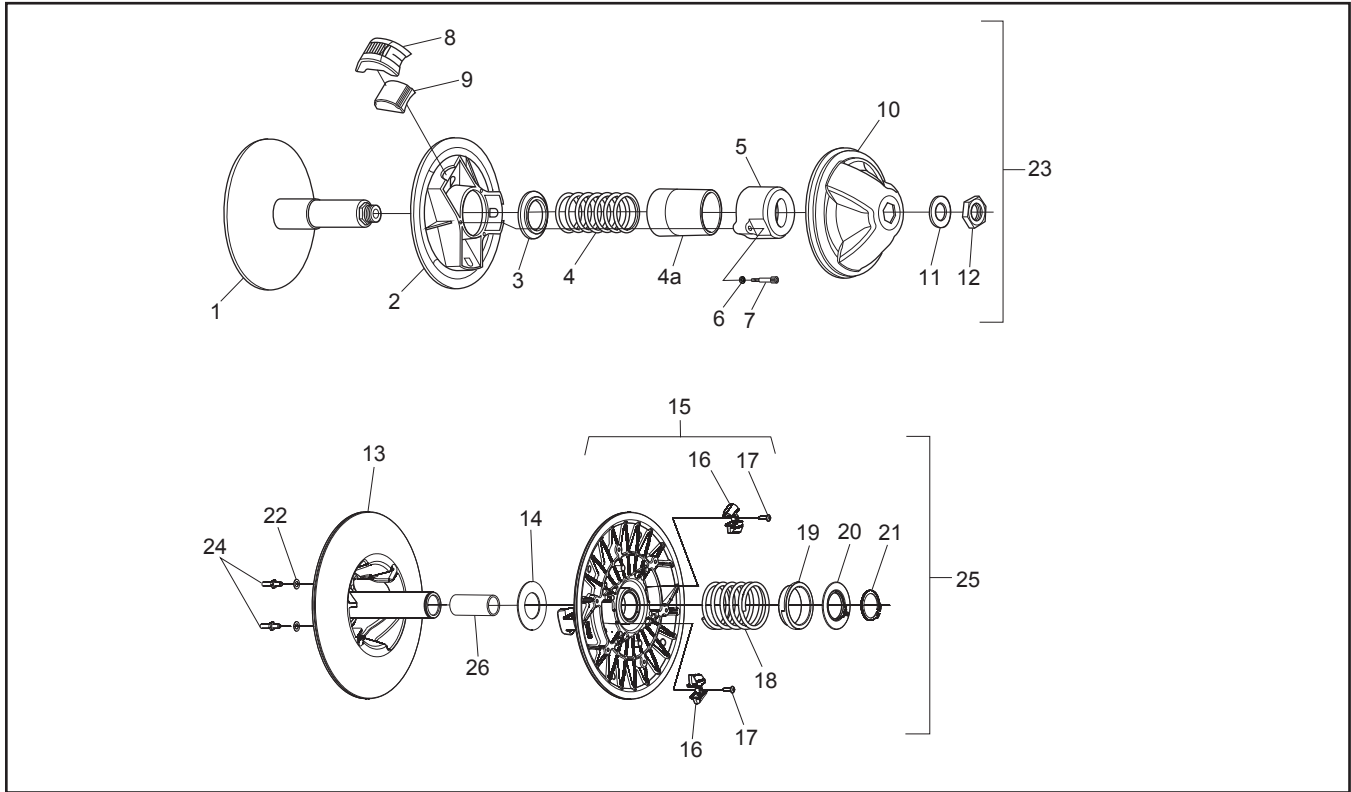
| Ref. | Qty. | Part # | Description |
|------|------|---------|---------------------------------|
| 1 | 2 | 102-27 | Seal, Oil 50x72x8 Dbl Lip |
| 2 | 2 | 101-76 | Bearing, Tapered Roller 32008X |
| 3 | 1 | 805-132 | Housing Asm, Axle |
| 4 | 3 | 127-85 | Plug, Drain - M10 x 1,0 |
| 5 | 1 | 805-106 | Axle -17T Spline |
| 6 | 5 | 112-81 | Stud, Wheel - M12 x 1,25R Zn |
| 7 | 1 | 102-28 | Seal, Oil V-ring 50mm |
| 8 | 1 | 805-108 | Bushing, 1.97 OD, 1.82 ID x .46 |
| 9 | 1 | 805-107 | Hub, Wheel |
| 10 | 2 | 108-40 | Washer .68x1.77x.16 Zn |
| 11 | 1 | 117-72 | Locknut, Nylon - M16 x 1,5 Zn |
| 12 | 1 | 805-120 | Cap, Bearing Dust - 2.0 Plated |
| 13 | 8 | 805-133 | Axle Ass'y |



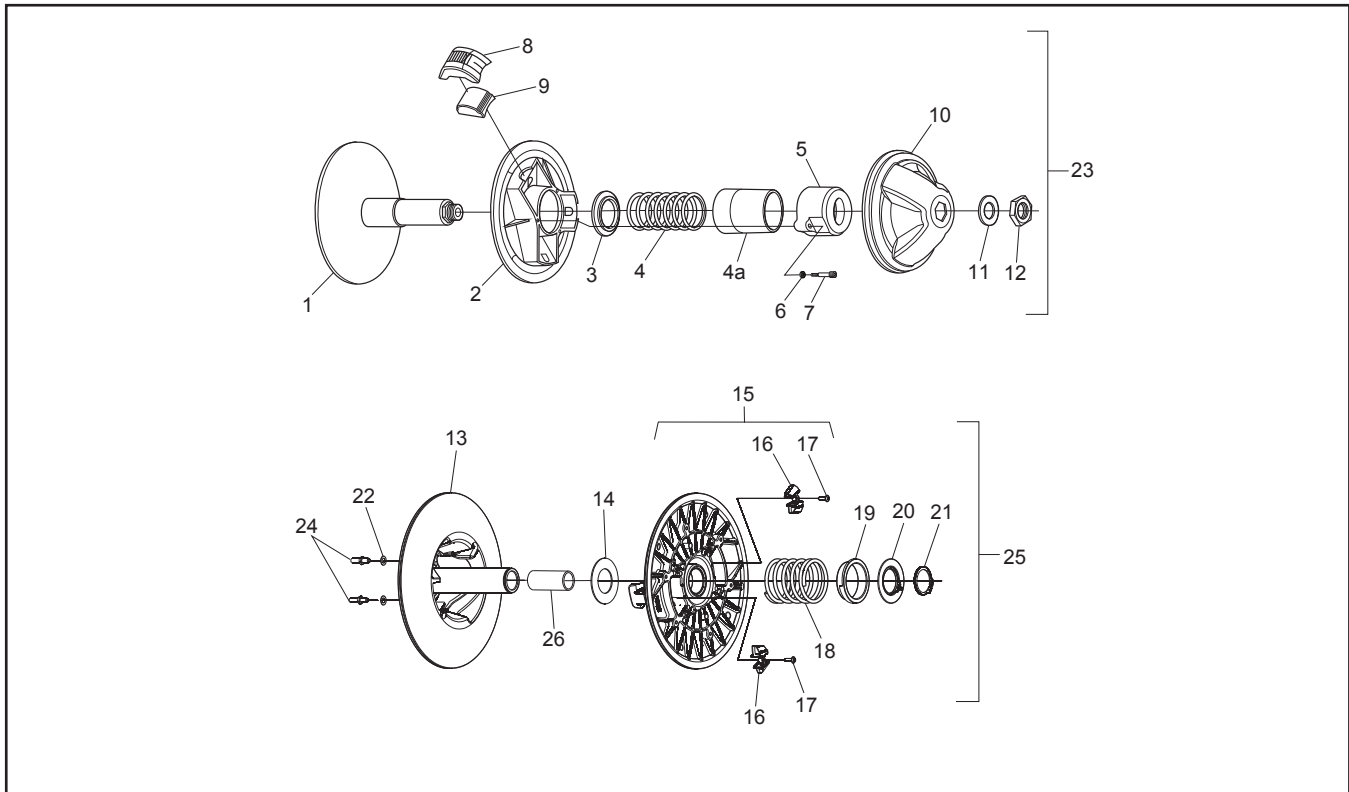
| Ref. | Qty. | Part # | Description |
|------|------|---------|----------------------------------|
| 1 | 16 | 100-105 | Pin, Cotter 3/16 x 1.75" Zn |
| 2 | 4 | 953-19 | Standoff, Hex, 54mm |
| 3 | 2 | 953-22 | Flange, 2 Pos., XT |
| 4 | 16 | 108-72 | Washer, 0.938 x 1.75 x 0.125" Zn |
| 5 | 24 | 108-34 | Washer .47 x .94 x .06 Zn |
| 6 | 16 | 606-40 | Slider Block -7/8" Shaft |
| 7 | 4 | 953-20 | Standoff, Hex, 23.5mm |
| 8 | 16 | 806-211 | Pivot Arm Asm |
| 9 | 8 | 112-158 | Bolt, Shoulder, 12mm x 70mm Lg |
| 10 | 8 | 128-16 | Spring, Torsion - Cent. Chain |
| 11 | 8 | 117-32 | Locknut, Nylon 7/16-20 Zn |
| 12 | 6 | 953-21 | Flange, Axle, XT |

5.0 Clutch System - XTI

XTI/XTD Parts Manual

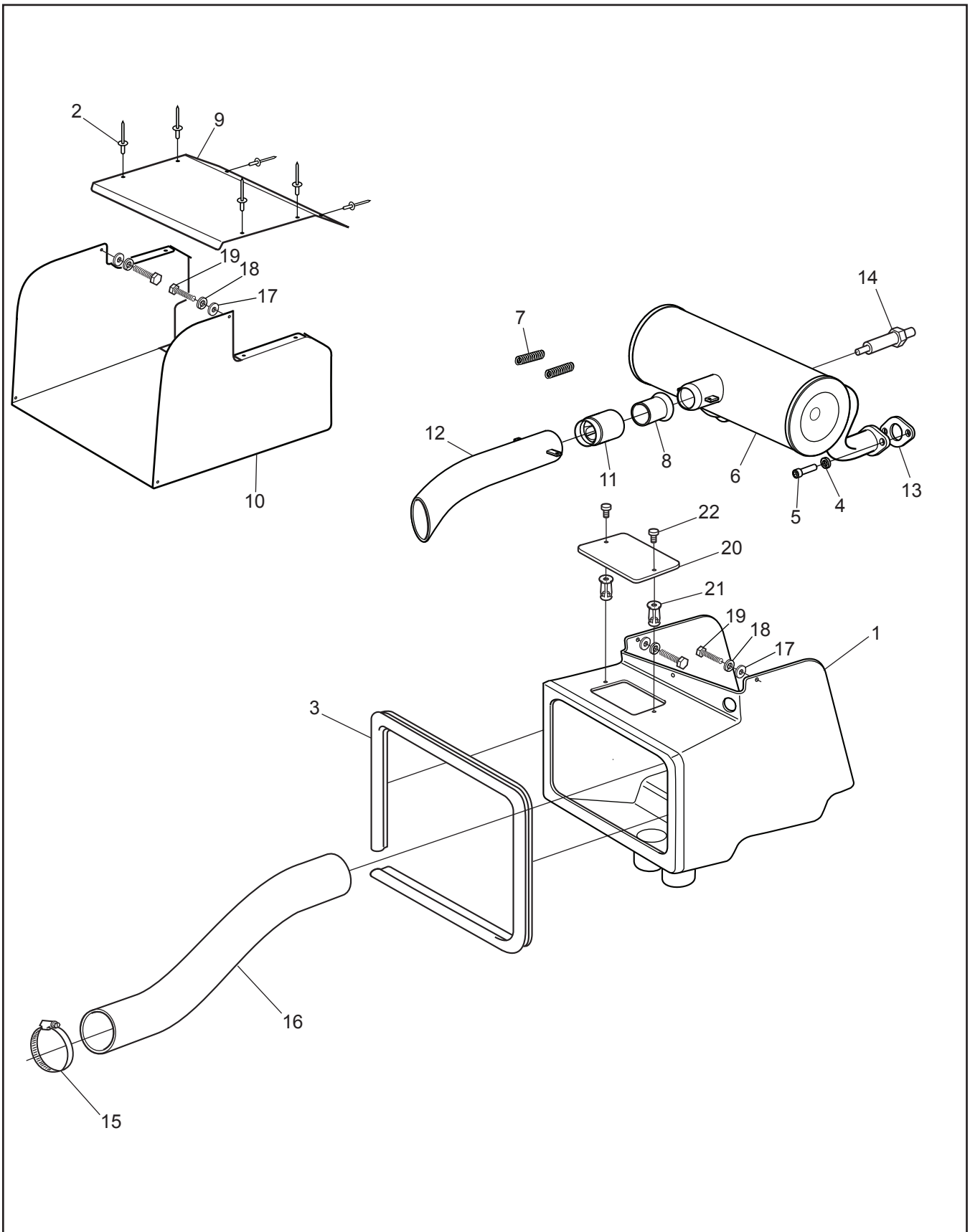


| Ref. | Qty. | Part # | Description |
|------|------|-----------|---------------------------------------|
| 1 | 1 | 0405-0138 | Flange, Fixed |
| 2 | 1 | 0410-0033 | Flange, Sliding |
| 3 | 1 | 0150-1014 | Spring Guide Washer |
| 4 | 1 | 1151-1114 | Spring |
| 4a | 1 | 0450-3002 | Guide, Spring |
| 5 | 1 | 0440-0005 | Spring Cover |
| 6 | 3 | 0080-0167 | Lockwasher |
| 7 | 3 | 0080-0021 | Screw, Cap |
| 8 | 3 | 0130-3012 | Block |
| 9 | 3 | 0135-3061 | Weight (230gr) - EFI Model |
| | 1 | 127-208 | Weight Set (3), 185g - High Elevation |
| | 1 | 127-209 | Weight Set (3), 220g - High Elevation |
| | 1 | 127-210 | Weight Set (3), 240g - High Elevation |
| 10 | 1 | 0115-2061 | Cap |
| 11 | 1 | 0080-0804 | Washer, Zn |
| 12 | 1 | V16J1 | Nut |
| 13 | 1 | 5905-0003 | Flange, Fixed |
| 14 | 1 | 0080-0164 | Washer, Shim |
| 15 | 1 | 5910-0002 | Flange, Sliding |
| 16 | 3 | 5930-3001 | Cam Shoe |
| 17 | 2 | 0080-0031 | Screw |
| 18 | 1 | 5951-1009 | Spring |
| 19 | 1 | 5950-3003 | Spring Protector |
| 20 | 1 | 5950-3002 | Spring Support |
| 21 | 1 | 0080-0216 | Retaining Ring, Outside |
| 22 | 2 | 0080-0167 | Lockwasher |
| 23 | 1 | 610-128 | Clutch, Driver - EFI Models |
| 24 | 2 | 0080-0035 | Screw & Nut Ass'y |
| 25 | 1 | 127-156 | Clutch, Driven - INVANCE |
| 26 | 1 | 5940-2001 | Keyway Stopper |



| Ref. | Qty. | Part # | Description |
|------|------|-----------|---------------------------------------|
| 1 | 1 | 0405-0137 | Flange, Fixed |
| 2 | 1 | 0410-0033 | Flange, Sliding |
| 3 | 1 | 0150-1014 | Spring Guide Washer |
| 4 | 1 | 1151-1110 | Spring |
| 4a | 1 | 0450-3002 | Guide, Spring |
| 5 | 1 | 0440-0005 | Spring Cover |
| 6 | 3 | 0080-0167 | Lockwasher |
| 7 | 3 | 0080-0021 | Screw, Cap |
| 8 | 3 | 0130-3012 | Block |
| 9 | 3 | 0135-3064 | Weight (260gr) |
| | 1 | 127-208 | Weight Set (3), 185g - High Elevation |
| | 1 | 127-209 | Weight Set (3), 220g - High Elevation |
| | 1 | 127-210 | Weight Set (3), 240g - High Elevation |
| 10 | 1 | 0115-2061 | Cap |
| 11 | 1 | 0080-0804 | Washer, Zn |
| 12 | 1 | V16J1 | Nut |
| 13 | 1 | 5905-0003 | Flange, Fixed |
| 14 | 1 | 0080-0164 | Washer, Shim |
| 15 | 1 | 5910-0002 | Flange, Sliding |
| 16 | 3 | 5930-3001 | Cam Shoe |
| 17 | 2 | 0080-0031 | Screw |
| 18 | 1 | 5951-1009 | Spring |
| 19 | 1 | 5950-3003 | Spring Protector |
| 20 | 1 | 5950-3002 | Spring Support |
| 21 | 1 | 0080-0216 | Retaining Ring, Outside |
| 22 | 2 | 0080-0167 | Lockwasher |
| 23 | 1 | 610-130 | Clutch, Driver - XTD |
| 24 | 2 | 0080-0035 | Screw & Nut Ass'y |
| 25 | 1 | 127-156 | Clutch, Driven - INVANCE |
| 26 | 1 | 5940-2001 | Keyway Stopper |

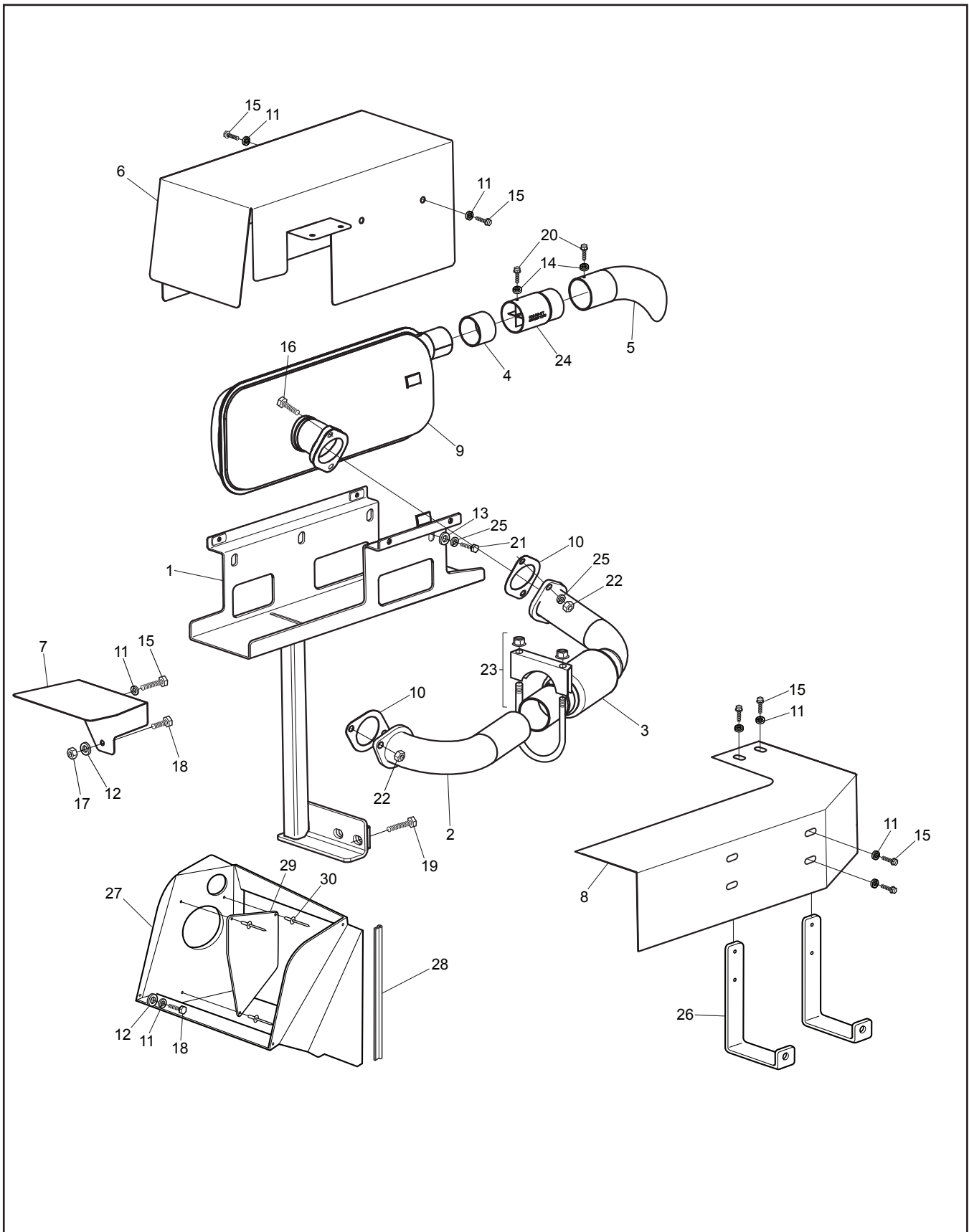
6.0 Intake and Exhaust System - XTI XTI/XTD Parts Manual



XTI/XTD Parts Manual 6.0 Intake and Exhaust System - XTI

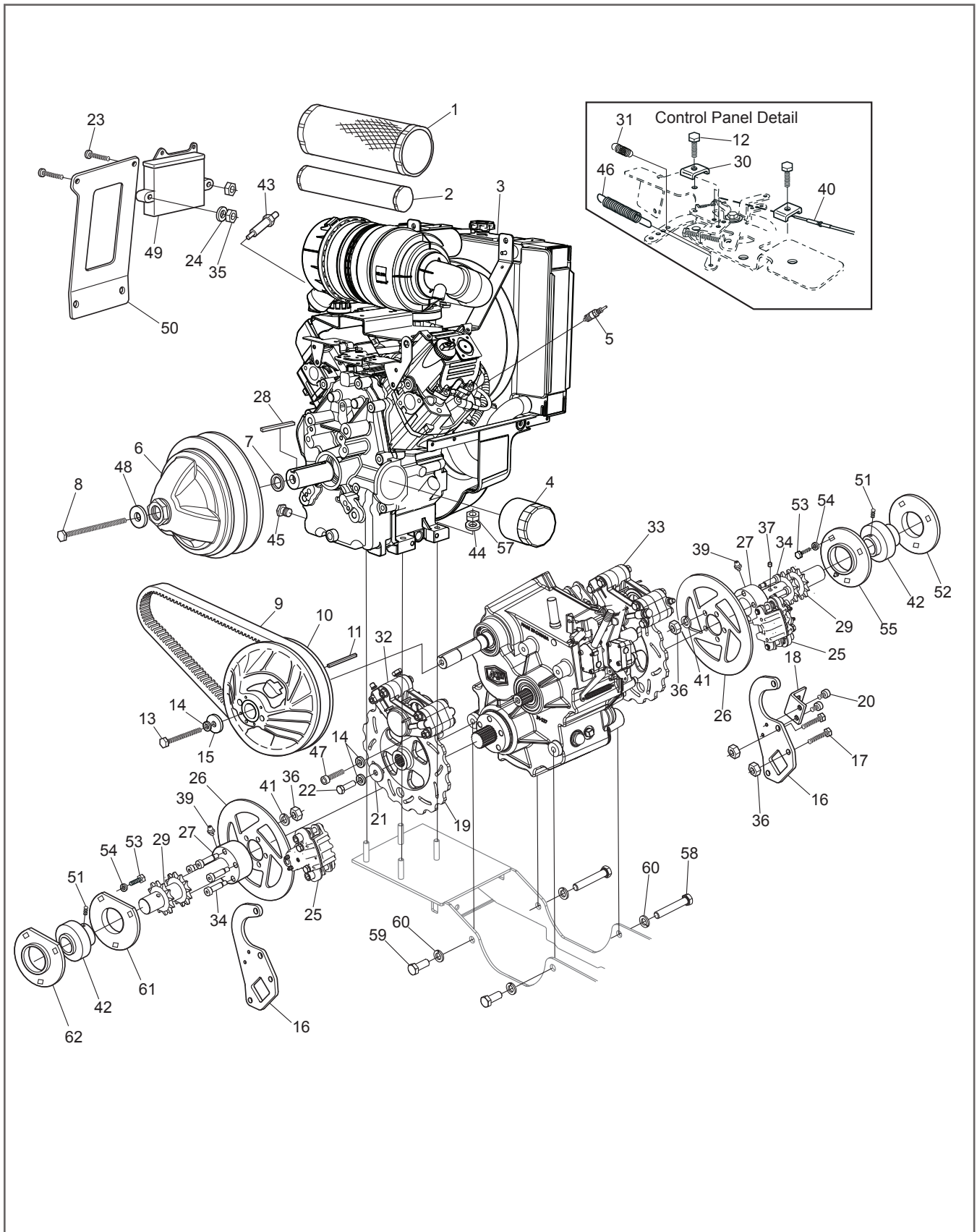
| Ref. | Qty. | Part # | Description |
|------|------|------------|--|
| 1 | 1 | 951-13 | Duct, Intake |
| 2 | 6 | 120-31 | Rivet, 3/16" x 1/4", Open End |
| 3 | 2 | 809-166-50 | Seal, 50" Long |
| 4 | 4 | 108-02 | Lockwasher 5/16 Hi-Collar Bare |
| 5 | 4 | 112-30 | SHCS M8 x 1,25 x 20mm Zn |
| 6 | 1 | 952-118 | Muffler, Kohler EFI XT |
| 7 | 2 | 127-187 | Spring, Extension - 17/32 x 3.75 |
| 8 | 1 | 607-135 | Tube, Muffler, Flared x 2.0 |
| 9 | 1 | 953-38 | Shield, Exhaust Upper XT |
| 10 | 1 | 953-37 | Duct, Exhaust XT |
| 11 | 1 | 607-171 | Spark Arrestor, ODG |
| 12 | 1 | 607-134 | Pipe, Tail - Ass'y |
| 13 | 2 | 24 041 49 | Gasket, Exhaust Manifold |
| 14 | 1 | | See Section 7.0 Power Pack Assembly |
| 15 | 1 | 100-128 | Clamp, Gear 2.25" |
| 16 | 1 | 848-194 | Hose, Intake Flex 2" Dia. x 24" |
| 17 | 4 | 108-104 | Washer, 0.28ID x 1.0OD x 0.13, Blk |
| 18 | 4 | 108-105 | Lockwasher, 1/4 Split, Blk Zn |
| 19 | 4 | 112-212 | HHCS M6 x 1 x 25mm, Black Zn |
| 20 | 1 | 952-237 | Cover, Cleanout XT |
| 21 | 2 | 117-53 | Nut, Jack 1/4-20 8L-JNS Zn |
| 22 | 2 | 117-89 | Thumbscrew, 1/4-20x1, Nylon |

6.0 Intake and Exhaust System - XTD XTI/XTD Parts Manual

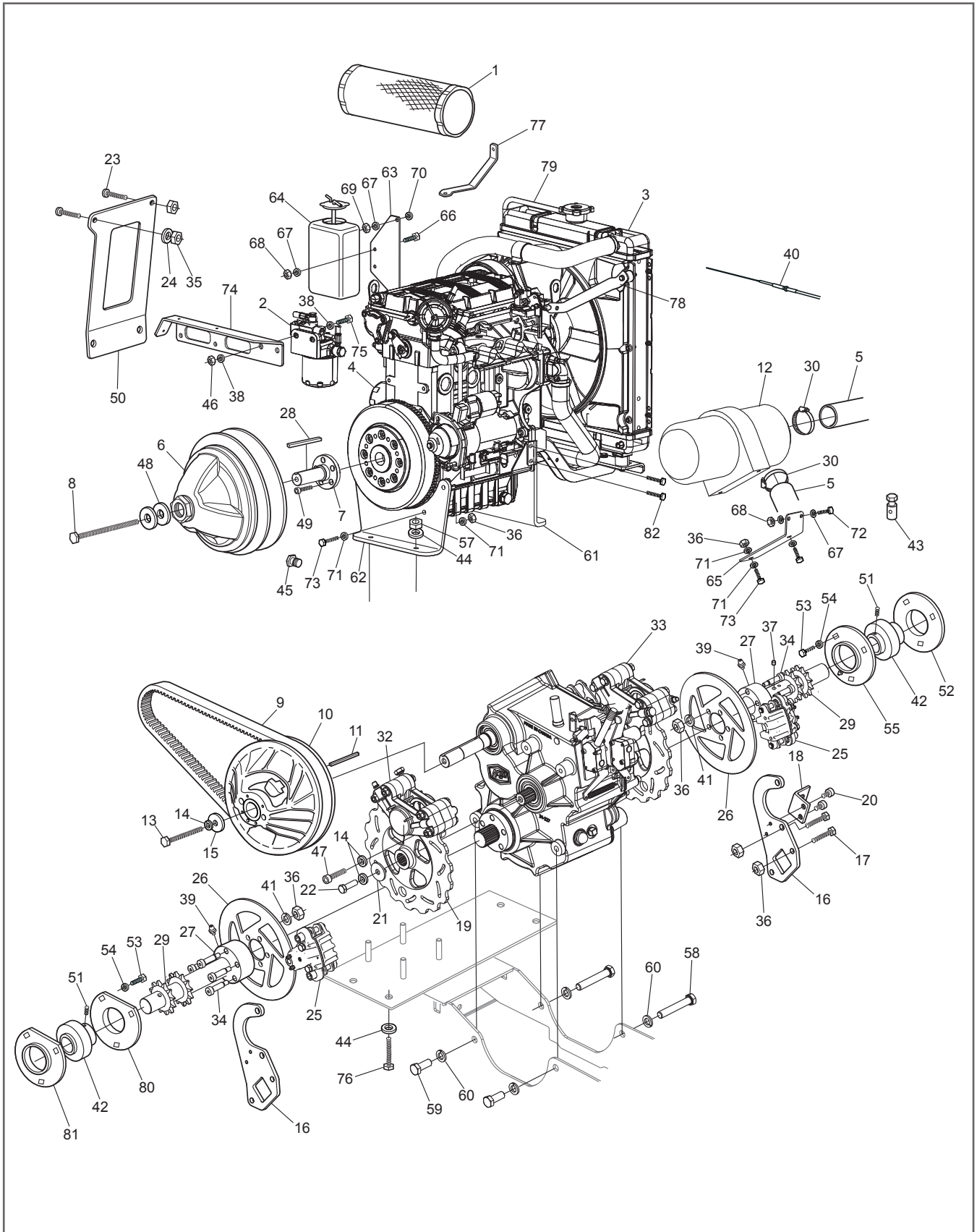


XTI/XTD Parts Manual 6.0 Intake and Exhaust System - XTD

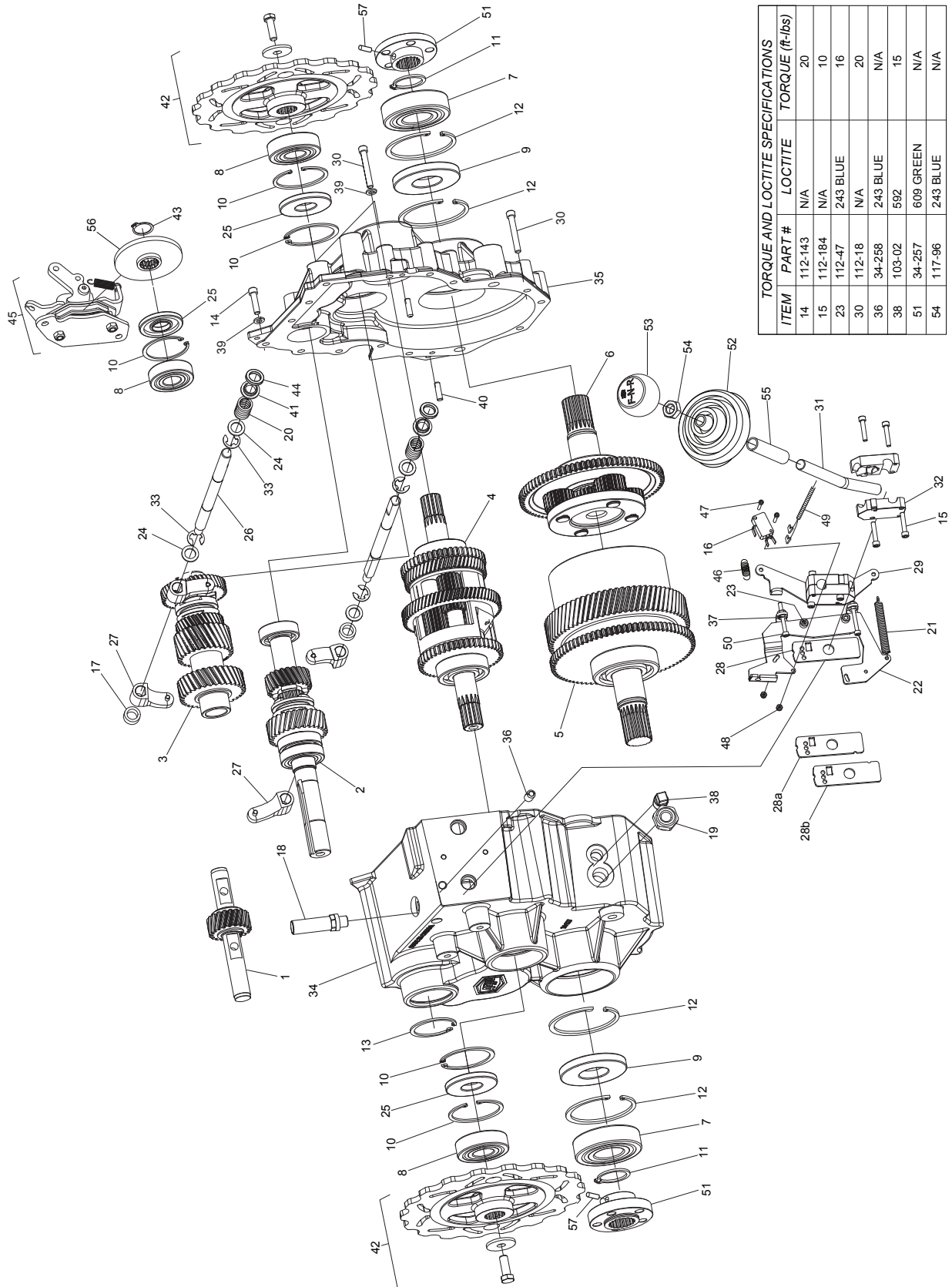
| Ref. | Qty. | Part # | Description |
|------|------|-----------|--|
| 1 | 1 | 950-42 | Wldmt, Muffler Support XTD |
| 2 | 1 | 950-44 | Wldmt, Exhaust Engine XTD |
| 3 | 1 | 950-45 | Wldmt, Exhaust Muffler XTD |
| 4 | 1 | 952-252 | Tube, 1-5/8 OD x 1-1/8 |
| 5 | 1 | 952-253 | Pipe, Tail 60 Deg x 5.5 |
| 6 | 1 | 953-70 | Duct, Exhaust XTD |
| 7 | 1 | 953-82 | Shield, Oil Filter XTD |
| 8 | 1 | 953-93 | Shield, Exhaust XTD |
| 9 | 1 | 953-88 | Muffler, Kohler XTD |
| 10 | 2 | 953-89 | Gasket, Exhaust Flange XTD |
| 11 | 14 | 108-03 | Lockwasher 1/4 Split Ring Zn |
| 12 | 4 | 108-08 | Washer .28x.62x.07 Zn |
| 13 | 4 | 108-24 | Washer .34x.70x.06 Zn |
| 14 | 2 | 108-86 | Lockwasher #10 Ext Tooth Zn |
| 15 | 11 | 112-19 | Screw, IHWH T/C Slot 1/4-20x1/2 |
| 16 | 2 | 112-20 | HHCS M8x1,25x25mm Zn |
| 17 | 1 | 112-115 | Locknut, Nylon M6x1 Zn |
| 18 | 4 | 112-118 | HHCS M6x1,0x15mm |
| 19 | 2 | 112-133 | HHCS M10x1,5x35mm Zn |
| 20 | 2 | 112-168 | Screw, IHWH #10 x 3/8 |
| 21 | 4 | 112-234 | HHCS M8x1,25x12mm Zn |
| 22 | 4 | 117-73 | Nut M8x1,25 Zn |
| 23 | 1 | 607-195 | Clamp, Muffler 1-7/8" Dia |
| 24 | 1 | 607-171 | Spark Arrestor, ODG |
| 25 | 6 | 108-05 | Lockwasher 5/16 Split Ring Zn |
| 26 | 2 | 953-94 | Bracket, Exhaust Shield XTD |
| 27 | 1 | 950-46 | Intake Plenum - XTD |
| 28 | 4 | 809-167RM | Seal, Radiator Baffle - Top 14.5" Long |
| 29 | 1 | 953-79 | Cover, Intake Plenum - XTD |
| 30 | 3 | 120-13 | Rivet - 3/16 x 3/4 Black |
| 31 | 1 | 953-95 | Bracket, Exhaust - XTD |



| Ref. | Qty. | Part # | Description | Ref. | Qty. | Part # | Description |
|------|------|------------|--|------|------|-----------|--------------------------------------|
| 1 | 1 | 25 083 01 | Filter, Air | 37 | 1 | 613-127 | Magnet, Speedometer |
| 2 | 1 | 25 083 04 | Element, Inner | 39 | 2 | 100-127 | Fitting, Grease STR 1/4-28 TPR |
| 3 | 1 | LH775-3012 | Kohler 30 HP Engine, EFI | 40 | 1 | 612-135 | Cable Asm., Throttle, XT |
| 4 | 1 | 12 050 01 | Filter, Oil | 41 | 11 | 108-05 | Lockwasher 5/16 Split- Ring Zn |
| 5 | | 127-193 | Sparkplug, RC14YC | 42 | 2 | 101-95 | Bearing, Ball-1.25x72mm |
| 6 | | | See Section 4.0 Clutch System | 43 | 1 | 24 418 05 | Sensor, Oxygen |
| 7 | 1 | 108-84 | Washer, Engine Clutch | 44 | 4 | 108-26 | Washer, .43x1.02x.09 Zn |
| 8 | 1 | 112-160 | HHCS, 7/16-20 x 5.0" Lg | 45 | | 112-156 | Plug, Oil Drain 3/8-18 NPT Hex |
| 9 | 1 | 127-137HD | Drive Belt - Avg/HDi Heavy Duty | 46 | 1 | 24 089 46 | Spring, Governer (Kohler #) |
| 10 | | | See Section 4.0 Clutch System | 47 | 4 | 103-41 | SHCS 3/8-16x1.25 Zn |
| 11 | 1 | 110-03 | Key 1/4 x 3/16 x 2.375 RC46 | 48 | 1 | 108-58 | Washer, .47 x 1.37 x 12 Hi-Carbon |
| 12 | 1 | M-545016 | Screw, Clamp Cable (Kohler #) | 49 | 1 | 66 584 05 | ECU (c/w engine) |
| 13 | 1 | 112-164 | HHCS 3/8-16 x 3.5 Gr5 Zn | 50 | 1 | 952-168 | Bracket, ECM XT |
| 14 | 7 | 108-06 | Lockwasher 3/8 Split Ring Zn | 51 | 4 | 103-110 | Set Screw, Cup, 5/16-24 x 1/2 |
| 15 | 1 | 108-46 | Washer .40 x 1.37 x 1.2 Hi- Carbon | 52 | 1 | 952-260 | BearingFlange, W/Trim |
| 16 | 2 | 953-01 | Mount, Service Brake Caliper | 53 | 6 | 112-137 | HHCS M10x1,25x20mm Zn |
| 17 | 4 | 112-20 | HHCS M8x1,25x25mm Zn | 54 | 6 | 108-67 | Lockwasher M10 Split- Ring Zn |
| 18 | 1 | 953-09 | Bracket, Speedo Mount | 55 | 1 | 952-259 | Bearing Flange, Grease W/Trim |
| 19 | 2 | 165-22 | Disc, Brake - Admiral | 56 | 2 | 100-64 | Tie Wrap - 5.5" - Black |
| 20 | 2 | 112-203 | SHCS 1/4-20x1/4 Zn | 57 | 4 | 117-118 | Locknut, Nylon 3/8-16 Flanged |
| 21 | 2 | 108-18 | Washer .40 x 1.37 x .12 Zn | 58 | 2 | 112-190 | HHCS 1/2-13x3.00 Gr5 Zn |
| 22 | 2 | 103-60 | HHCS 3/8-24 x 1 Gr5 Zn | 59 | 2 | 112-189 | HHCS 1/2-13x1.25 Gr5 Zn |
| 23 | 2 | 112-225 | RHMS, 10-24 x 2.0 Zn | 60 | 4 | 108-107 | Lockwasher, 1/2", High Alloy |
| 24 | 2 | 120-04 | Washer .19x.50x.08 Zn | 61 | 1 | 952-259 | Bearing Flange, Grease W/Trim |
| 25 | | | See Section 9.0 Steering & Brake System | 62 | 1 | 952-260 | Bearing Flange, W/Trim |
| 26 | 2 | 165-25 | Disc, Brake, Service | | | | |
| 27 | 2 | 810-117 | Coupler, Idler Shaft | | | | |
| 28 | 1 | 110-18 | Key 1/4 x 1/4 x 1.75 | | | | |
| 29 | 2 | 810-119 | Shaft, Output, #60-10T | | | | |
| 30 | 1 | 12 237 01 | Clamp, Cable (Kohler #) | | | | |
| 31 | 1 | 24 089 51 | Spring, Throttle (Kohler #) | | | | |
| 32 | | | See Section 9.0 Steering & Brake System | | | | |
| 33 | | | See Section 9.0 Steering & Brake System | | | | |
| 34 | 10 | 112-201 | Bolt, Shoulder M10 x 45 | | | | |
| 35 | 2 | 117-10 | Locknut, 10-24 N/I Zn | | | | |
| 36 | 18 | 117-77 | Locknut, Nylon - M8 x 1,25mm Zn8 | | | | |



| Ref. | Qty. | Part # | Description | Ref. | Qty. | Part # | Description |
|------|------|----------------|--|------|------|------------|-----------------------------------|
| 1 | 1 | ED0021751240-S | Filter, Air | 45 | | 112-156 | Plug, Oil Drain 3/8-18 NPT Hex |
| 2 | 1 | ED0021752880-S | Filter, Fuel | 46 | 2 | 117-60 | Locknut, Nyloc M10x1.5mm Zn |
| 3 | 1 | KDW1003-5025A | Kohler 24HP Engine, Diesel | 47 | 4 | 103-41 | SHCS 3/8-16x1.25 Zn |
| 4 | 1 | ED0021752850-S | Filter, Oil | 48 | 2 | 108-58 | Washer, .47 x 1.37 x 12 Hi-Carbon |
| 5 | 2 | 848-194 | Hose, Intake Flex 2"Dia x 24" | 49 | 5 | 112-179 | SHCS M10x1,25x40 |
| 6 | | | See Section 4.0 Clutch System | 50 | 1 | 952-168 | Bracket, ECM XT |
| 7 | 1 | 953-67 | Shaft, PTO - XTD | 51 | 4 | 103-110 | Set Screw, Cup, 5/16-24 x 1/2 |
| 8 | 1 | 112-160 | HHCS, 7/16-20 x 5.0" Lg | 52 | 2 | 952-260 | Bearing Flange, W/Trim |
| 9 | 1 | 127-159HD | Drive Belt - Frontier Heavy Duty | 53 | 6 | 112-137 | HHCS M10x1,25x20mm Zn |
| 10 | | | See Section 4.0 Clutch System | 54 | 6 | 108-67 | Lockwasher M10 Split-Ring Zn |
| 11 | 1 | 110-03 | Key 1/4 x 3/16 x 2.375 RC46 | 55 | 2 | 952-259 | Bearing Flange, Grease W/Trim |
| 12 | 1 | ED0037004560-S | Air Cleaner | 56 | 4 | 100-64 | Tie Wrap - 5.5" - Black |
| 13 | 1 | 112-164 | HHCS 3/8-16 x 3.5 Gr5 Zn | 57 | 4 | 117-66 | Locknut, Nylon 1/2-13Zn |
| 14 | 7 | 108-06 | Lockwasher 3/8 Split Ring Zn | 58 | 2 | 112-190 | HHCS 1/2-13x3.00 Gr5 Zn |
| 15 | 1 | 108-46 | Washer .40 x 1.37 x 1.2 Hi-Carbon | 59 | 2 | 112-189 | HHCS 1/2-13x1.25 Gr5 Zn |
| 16 | 2 | 953-01 | Mount, Service Brake Caliper | 60 | 4 | 108-107 | Lockwasher, 1/2", High Alloy |
| 17 | 4 | 112-20 | HHCS M8x1,25x25mm Zn | 61 | 1 | 953-68 | Support, Engine RH-XTD |
| 18 | 1 | 953-09 | Bracket, Speedo Mount | 62 | 1 | 953-69 | Support, Engine LH-XTD |
| 19 | 2 | 165-22 | Disc, Brake - Admiral | 63 | 1 | 953-81 | Mount, Overflow Bottle-XTD |
| 20 | 2 | 112-203 | SHCS 1/4-20x1/4 Zn | 64 | 1 | 825462 | Overflow Tank Kit Mount, |
| 21 | 2 | 108-18 | Washer .40 x 1.37 x .12 Zn | 65 | 1 | 953-77 | Air Filter - XTD HHCS |
| 22 | 2 | 103-60 | HHCS 3/8-24 x 1 Gr5 Zn | 66 | 3 | 112-118 | M6x1,0x15mm |
| 23 | 2 | 112-225 | RHMS, 10-24 x 2.0 Zn | 67 | 5 | 108-08 | Washer .28x.62x.07 Zn |
| 24 | 2 | 120-04 | Washer .19x.50x.08 Zn | 68 | 4 | 112-115 | Locknut, Nylon M6x1 Zn |
| 25 | | | See Section 9.0 Steering & Brake System | 69 | 1 | 117-63 | Nut, Hex M6x1,0 Zn |
| 26 | 2 | 165-25 | Disc, Brake, Service | 70 | 1 | 108-03 | Lockwasher 1/4 Split Ring Zn |
| 27 | 2 | 810-117 | Coupler, Idler Shaft | 71 | 4 | 108-24 | Washer .34x.70x.06 Zn |
| 28 | 1 | 110-18 | Key 1/4 x 1/4 x 1.75 | 72 | 2 | 112-98 | HHCS M6 x 1 x 40mm Zn |
| 29 | 2 | 810-119 | Shaft, Output, #60-10T | 73 | 6 | 112-233 | HHCS M8x1,25x30mm Gr8.8 Zn |
| 30 | 3 | 100-128 | Clamp, Gear 2.25" | 74 | 1 | 953-75 | Mount, Fuel Filter - XTD |
| 31 | 1 | ED0021000890-S | Glow Plug | 75 | 2 | 112-133 | HHCS M10x1,5x35mmZn |
| 32 | | | See Section 9.0 Steering & Brake System | 76 | 4 | 112-237 | HHCS 1/2-13x1.75 Gr5 Zn |
| 33 | | | See Section 9.0 Steering & Brake System | 77 | 1 | 953-90 | Rad Support, Fwd - XTD |
| 34 | 10 | 112-201 | Bolt, Shoulder M10 x 45 | 78 | 1 | 953-91 | Rad Support, Rear - XTD |
| 35 | 2 | 117-10 | Locknut, 10-24 N/I Zn | 79 | 1 | 127-160-10 | Tubing, 1/4"ID - 10" Long |
| 36 | 18 | 117-77 | Locknut, Nylon - M8x 1,25mm Zn | 80 | 1 | 952-259 | Bearing Flange, Grease W/Trim |
| 37 | 1 | 613-127 | Magnet, Speedometer | 81 | 1 | 952-260 | Bearing Flange, W/Trim |
| 38 | 4 | 108-15 | Washer .42x.81x.05 Zn | 82 | 2 | 112-248 | HHCS M12x1,75x35mm 8.8 Zn |
| 39 | 2 | 100-127 | Fitting, Grease STR 1/4-28 TPR | | | | |
| 40 | 1 | 612-136 | Cable Asm., Throttle, XTD | | | | |
| 41 | 11 | 108-05 | Lockwasher 5/16 Split-Ring Zn | | | | |
| 42 | 2 | 101-95 | Bearing, Ball-1.25x72mm | | | | |
| 43 | 1 | ED0058301190-S | Clamp, Cable | | | | |
| 44 | 8 | 108-103 | Washer, 0.51x0.94x0.10 Zn | | | | |

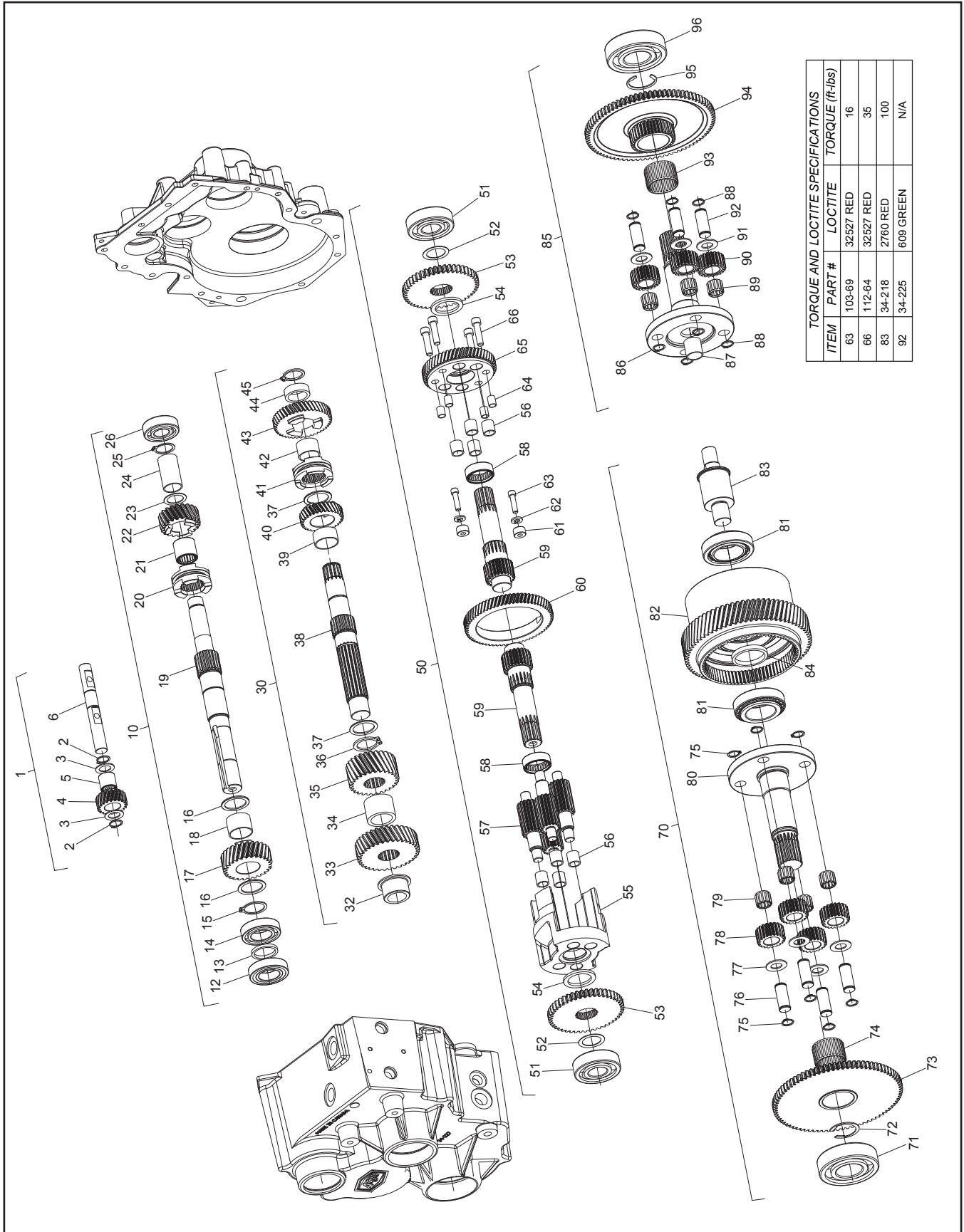


| TORQUE AND LOCTITE SPECIFICATIONS | | |
|-----------------------------------|---------|--------------------------|
| ITEM | PART # | LOCTITE TORQUE (ft.-lbs) |
| 14 | 112-143 | N/A |
| 15 | 112-184 | N/A |
| 23 | 112-47 | 243 BLUE |
| 30 | 112-18 | N/A |
| 36 | 34-258 | 243 BLUE |
| 38 | 103-02 | 592 |
| 51 | 34-257 | 609 GREEN |
| 54 | 117-96 | 243 BLUE |

| Ref. | Qty. | Part # | Description | Ref. | Qty. | Part # | Description |
|------|------|-------------------|--|------|------|---------|----------------------------------|
| 1-6 | 1 | 34-200-7.3 -FG | Transmission Admiral 7.3 Ratio See Section 8.1 Trans. Sub Assemblies | 49 | 1 | 613-112 | Wire Harness, Neutral Start |
| 7 | 2 | 101-81 | Bearing, Ball 6307 ZZE | 50 | 2 | 112-195 | SHCS 8-32 x 1.5 Stainless |
| 8 | 3 | 101-86 | Bearing, Ball 6305 Zz | 51 | 2 | 34-262 | Coupler, Output Shaft, Pinned |
| 9 | 2 | 102-33 | Seal, Oil 35x80x10 | 52 | 1 | 609-44 | Boot, F-N-R Shifter |
| 10 | 5 | 106-05 | Retaining Ring HO-244-PA | 53 | 1 | 127-226 | Knob, Shift F-N-R - HD |
| 11 | 2 | 106-23 | Retaining Ring SH-0137-PA | 54 | 1 | 117-96 | Nut, Jam 1/2-13 |
| 12 | 4 | 106-24 | Retaining Ring H0-312-PA | 55 | 1 | 127-229 | Sleeve, Insulating - 1.25" |
| 13 | 1 | 106-26 | Retaining Ring H0-206-PA | 56 | 1 | 165-52 | Rotor, E-Brake |
| 14 | 10 | 112-143 | SHCS 5/16 x 1.25 Zn | 57 | 2 | 104-75 | Pin, Spring, 3/16x13/16 Zn |
| 15 | 8 | 112-184 | SHCS, 10-32 x 1 | | | | |
| 16 | 1 | 613-151 | Switch, Micro, Roller Lever | | | | |
| 17 | 2 | 114-21 | Spacer, .51x.75x.36 | | | | |
| 18 | 1 | 34-245 | Plug, Fill/Vent 1/2 BSPP | | | | |
| 19 | 1 | 34-251 | Site Glass, 1/2 BSP Aluminum | | | | |
| 20 | 2 | 127-186 | Spring, Comp. 0.70x1.28 | | | | |
| 21 | 1 | 127-194 | Spring, Ext .360x3.0 | | | | |
| 22 | 1 | 34-241 | Bracket, Switch, Spring Mount | | | | |
| 23 | 2 | 112-47 | SHCS 1/4-20 x 1.0 Zn | | | | |
| 24 | 3 | 108-35 | Washer .53x1.06x.09 Zn | | | | |
| 25 | 3 | 102-37 | Seal, Oil 25x62x7 | | | | |
| 26 | 2 | 34-231 | Shaft, Shift - F-N-R | | | | |
| 27 | 4 | 34-232 | Fork, Shift - Half | | | | |
| 28 | 1 | 34-233 | Plate, Detent | | | | |
| 28a | 1 | 34-233L | Plate, Detent, Left Adj. | | | | |
| 28b | 1 | 34-233R | Plate, Detent, Right Adj. | | | | |
| 29 | 1 | 34-242 | Bracket, Spring Mount | | | | |
| 30 | 8 | 112-18 | SHCS 5/16x2.25 | | | | |
| 31 | 1 | 34-259 | Lever, XTI, F-N-R | | | | |
| 32 | 4 | 34-236 | Clamp, Lever Shaft | | | | |
| 33 | 3 | 106-30 | Retaining Ring E-0050 E | | | | |
| 34 | 1 | 34-227 | Housing, Admiral, Left (includes Ref. # 36) | | | | |
| 35 | 1 | 34-228 | Housing, Admiral, Right | | | | |
| 36 | 1 | 34-258 | Plunger, Ball - Nose Spring | | | | |
| 37 | 4 | 117-92 | Nut, Hex Machine #8-32 Zn | | | | |
| 38 | 1 | 103-02 | Plug, Magnetic 3/8-18Npt Sq. Hd | | | | |
| 39 | 11 | 108-05 | Lockwasher 5/16 Split-Ring Zn | | | | |
| 40 | 2 | 104-03 | Pin, Dowel 1/4x7/8 | | | | |
| 41 | 2 | 105-33 | Bushing, Flange | | | | |
| 42 | | | See Section 7.0 Power Pack | | | | |
| 43 | 1 | 106-29 | Retaining Ring SH-0093-PA | | | | |
| 44 | 2 | 102-36 | Seal, Shift Shaft - 0.5 x .75 x .125 | | | | |
| 45 | | | See Section 10.0 Parking Brake | | | | |
| 46 | 1 | 127-195 | Spring, Ext., .75 x 2.73 | | | | |
| 47 | 2 | 112-172 | SHCS 5-40 x 3/4 Zn | | | | |
| 48 | 2 | 112-173 | Locknut, #5-40 Zn | | | | |

8.1 Transmission Sub-Assemblies

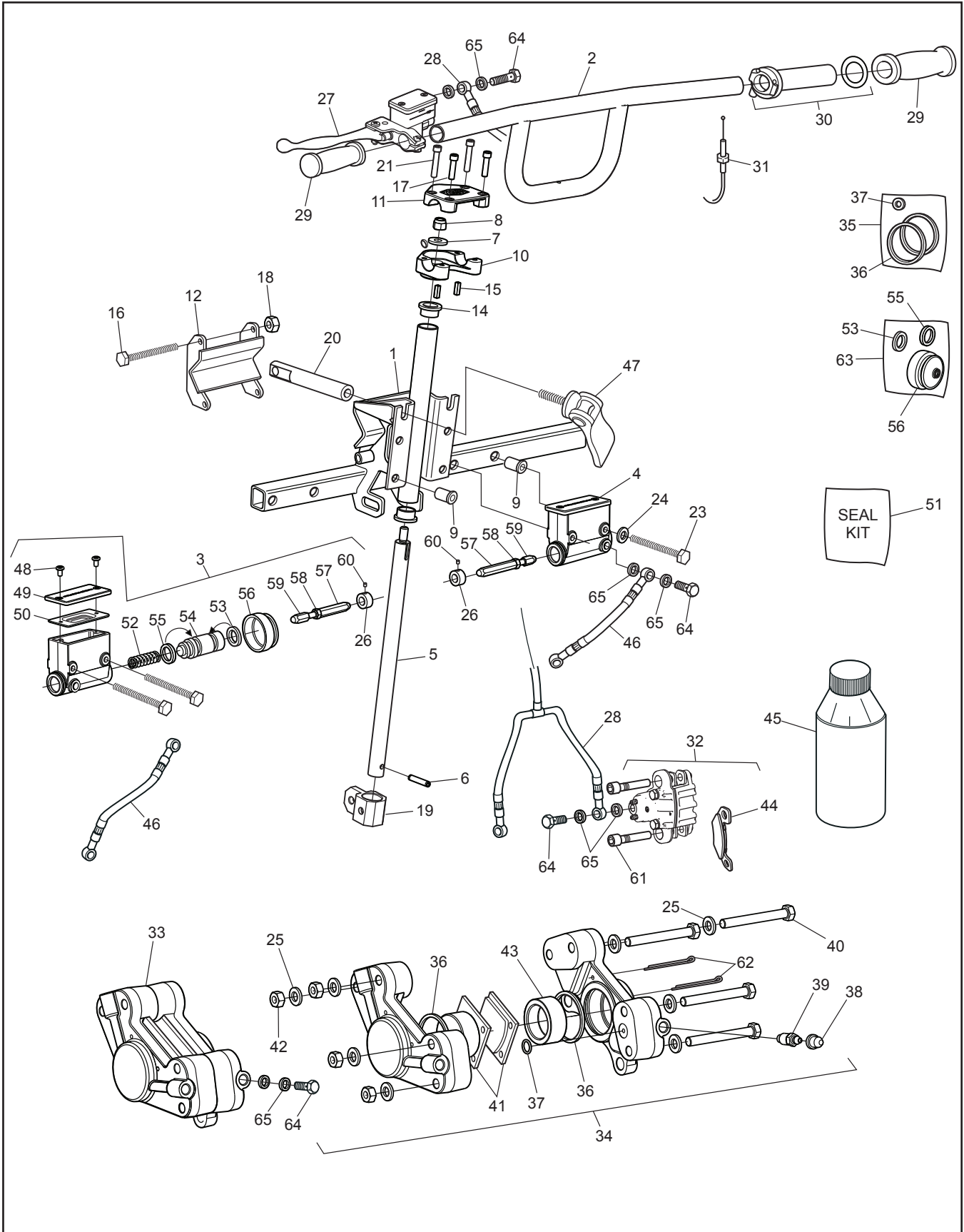
XTI/XTD Parts Manual



| Ref. | Qty. | Part # | Description | Ref. | Qty. | Part # | Description |
|------|------|------------|--|------|------|--------|--|
| 1 | 1 | 34-290 | Asm, Reverse Shaft - Adm. includes: | 60 | 1 | 34-205 | Gear, Helical - 67T |
| 2 | 2 | 106-25 | Retaining Ring SH-0078-PA | 61 | 2 | 105-28 | Bushing, Dowel .26x.625x.36 |
| 3 | 2 | 108-99 | Washer, Thrust .79x1.25 x .06 | 62 | 2 | 108-03 | Lockwasher 1/4 Split Ring Zn |
| 4 | 1 | 34-220 | Pinion, Idler - 20T | 63 | 2 | 103-69 | SHCS, 1/4-20 x 1.5 Zn |
| 5 | 1 | 101-87 | Bearing, Needle HMK20x27x25 | 64 | 4 | 105-23 | Bushing, Dowel - .312 x .5 |
| 6 | 1 | 34-221 | Shaft, Shift - Reverse | 65 | 1 | 34-204 | Gear, Helical - 55T |
| 10 | 1 | 34-291-7.3 | Asm, Input Shaft includes: | 66 | 4 | 112-64 | SHCS 5/16 x 18 x 1.25 |
| 12 | 1 | 101-89 | Bearing, Ball 60/28 Llu | 70 | 1 | 34-294 | Asm, Output Shaft LH-Adm. includes |
| 13 | 1 | 114-19 | Spacer, 1.12x1.375x.148 | 71 | 1 | 101-73 | Bearing, Ball 6307 CL.N. |
| 14 | 1 | 101-88 | Bearing, Ball 60/28 | 72 | 1 | 106-31 | Retaining Ring C-0137 |
| 15 | 1 | 106-27 | Retaining Ring SH-112-PA | 73 | 1 | 34-207 | Gear, Sun - 81T, 35T |
| 16 | 2 | 108-98 | Washer, Thrust 1.13x1.46x.062 | 74 | 1 | 101-83 | Bearing, Needle KJ37x42x27S |
| 17 | 1 | 34-215 | Pinion, For.-27T,12Dp-7.3 Ratio | 75 | 8 | 106-22 | Retaining Ring SH-0056-PA |
| 18 | 1 | 105-32 | Bushing, Bronze 1.125x1.25x.875 | 76 | 4 | 34-225 | Pin, Planet Carrier |
| 19 | 1 | 34-213 | Shaft, Input | 77 | 4 | 108-93 | Washer, .59x1.10x.06 |
| 20 | 1 | 34-224 | Collar, Shift, For-Rev | 78 | 4 | 34-217 | Gear, Planet - 21T |
| 21 | 1 | 101-90 | Bearing, Needle HK2220 | 79 | 4 | 101-82 | Bearing, Needle KM J15x21x17S |
| 22 | 1 | 34-214 | Pinion, Reverse - 21T,12Dp | 80 | 1 | 34-263 | Carrier Shaft, Grooved LH |
| 23 | 1 | 114-17 | Washer, Thrust .866x1.181x.039 | 81 | 2 | 101-76 | Bearing, Tapered Roller 32008X |
| 24 | 1 | 114-18 | Spacer, .865x1.0x1.75 | 82 | 1 | 34-219 | Planetary Hub |
| 25 | 1 | 106-25 | Retaining Ring SH-0078-PA | 83 | 1 | 34-218 | Shaft, Planetary Stub |
| 26 | 1 | 101-01 | Bearing, Ball 6204Z-C3 | 84 | 1 | 114-22 | Spacer, 1.585x1.75x.245 |
| 30 | 1 | 34-295-7.3 | Asm, Idler Shaft includes: | 85 | 1 | 34-293 | Asm, Output Shaft RH - Adm. includes: |
| 32 | 1 | 105-30 | Bushing, Flanged 1x1.375 | 86 | 1 | 34-264 | Carrier Shaft, Grooved RH |
| 33 | 1 | 34-211 | Gear, Helical - 35T- 7.3 Ratio | 87 | 1 | 105-26 | Bushing, Oilite .75x.875x.875 |
| 34 | 1 | 108-96 | Spacer, 1.125x1.5x1.083 | 88 | 8 | 106-22 | Retaining Ring SH-0056-PA |
| 35 | 1 | 34-209 | Pinion, Helical - 27T | 89 | 4 | 101-82 | Bearing, Needle KM J15x21x17S |
| 36 | 1 | 106-28 | Retaining Ring SHR-0112-PA | 90 | 4 | 34-217 | Gear, Planet - 21T |
| 37 | 2 | 108-98 | Washer, Thrust 1.13x1.46x.062 | 91 | 4 | 108-93 | Washer, .59x1.10x.06 |
| 38 | 1 | 34-208 | Shaft, Idler | 92 | 4 | 34-225 | Pin, Planet Carrier |
| 39 | 1 | 105-31 | Bushing, Bronze 1.125x1.25x.625 | 93 | 1 | 101-83 | Bearing, Needle KJ37x42x27S |
| 40 | 1 | 34-210 | Pinion, Helical - 31T | 94 | 1 | 34-207 | Gear, Sun - 81T, 35T |
| 41 | 1 | 34-223 | Collar, Shift, Hi-Low | 95 | 1 | 106-31 | Retaining Ring C-0137 |
| 42 | 1 | 105-29 | Bushing, Oilite 1.0x1.125x.75 | 96 | 1 | 101-73 | Bearing, Ball 6307 CL.N. |
| 43 | 1 | 34-212 | Pinion, Helical - 45T | | | | |
| 44 | 1 | 108-97 | Spacer, 1.01x1.3x.409 | | | | |
| 45 | 1 | 107-15 | Retaining Ring SHR-98-PA | | | | |
| 50 | 1 | 34-292 | Asm, Differential - Adm. includes: | | | | |
| 51 | 2 | 101-40 | Bearing, Ball 6305 Open | | | | |
| 52 | 2 | 114-16 | Washer, SHIM .99x1.375x.030 | | | | |
| 53 | 2 | 34-203 | Pinion, Spur - 46T | | | | |
| 54 | 2 | 108-94 | Washer, Thrust 1.25x1.688x.125 | | | | |
| 55 | 1 | 34-206 | Cage, Differential | | | | |
| 56 | 8 | 105-27 | Bushing, Oilite .5x.625x.625 | | | | |
| 57 | 4 | 34-202 | Gear, Planet - 15T | | | | |
| 58 | 2 | 101-84 | Bearing, Needle HK3012 | | | | |
| 59 | 2 | 34-201 | Shaft, Brake | | | | |

9.0 Steering & Brake System

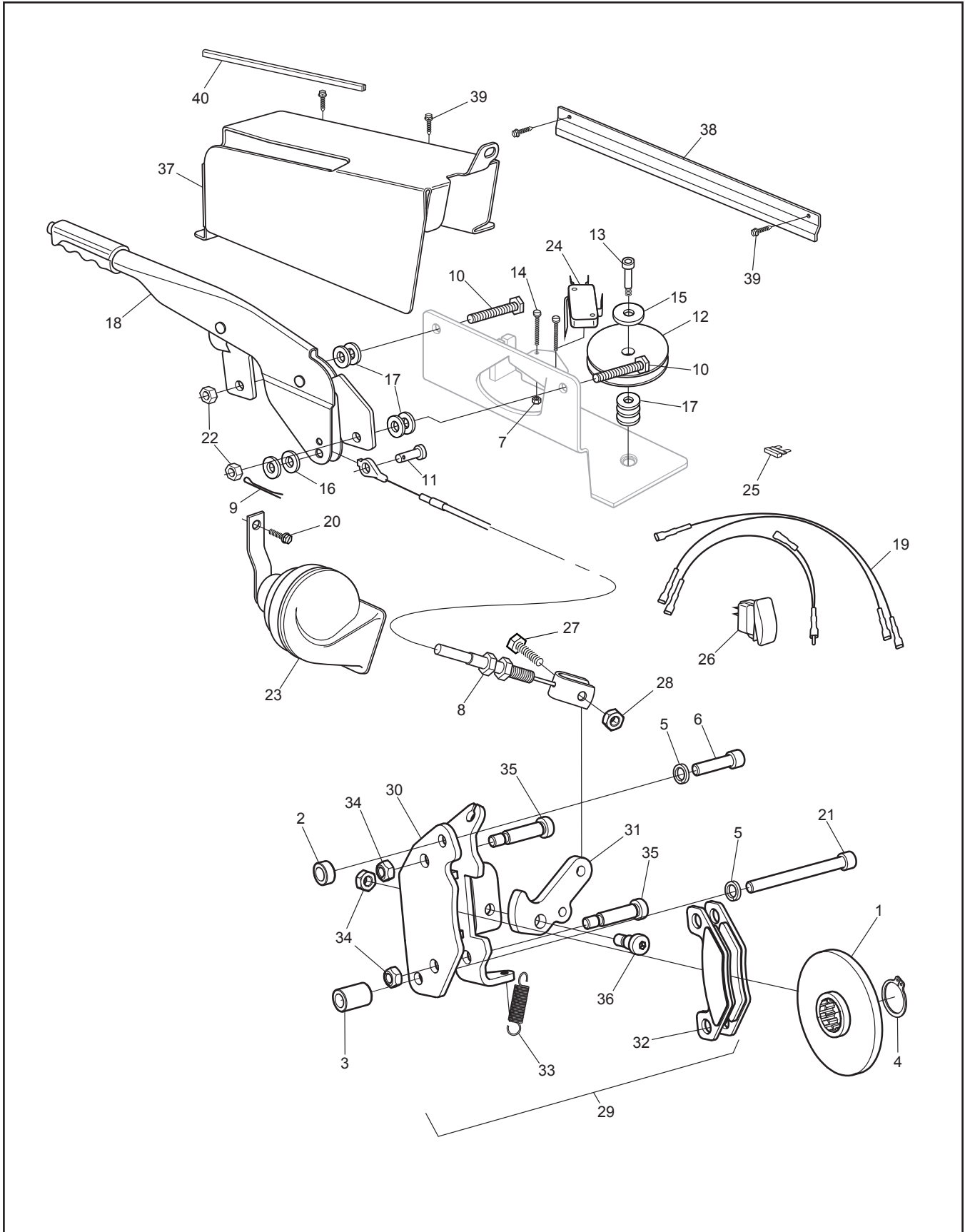
XTI/XTD Parts Manual



| Ref. | Qty. | Part # | Description | Ref. | Qty. | Part # | Description |
|------|------|---------|---|------|------|--------|---|
| 1 | 1 | 950-50 | Steering Wldt. - XT | 46 | 2 | 163-07 | Hose Asm, Steering - XT |
| 2 | 1 | 612-107 | Handlebar Assembly | 47 | 1 | 953-03 | Handle, Quick Cam |
| 3 | 1 | 165-58 | Master Cylinder, RH Wilwood | 48 | 2x2 | 160-42 | Screw, FHMS M5 x 0,8 x 6mm |
| 4 | 1 | 165-57 | Master Cylinder, LH Wilwood | 49 | 2x1 | 168-08 | Cover |
| 5 | 1 | 953-10 | Shaft, Steering - XTI | 50 | 2x1 | 168-09 | Cover, Rubber |
| 6 | 1 | 104-42 | Pin, Spring 1/4 x 1.5" | 51 | 1 | 165-37 | Piston Seal Kit - Wilwood |
| 7 | 2 | 108-47 | Washer, .39 x .94 x .13 Zn Di-chr | 52 | 2x1 | 162-08 | Spring, Comp. 17.3 x 49.3mm |
| 8 | 2 | 117-29 | Locknut, Nylon 3/8-16 Zn | 53 | 2x1 | | Seal, Primary, 19mm (See Ref. 63) |
| 9 | 8 | 117-79 | Insert, M6 x 1,0 -10 mm OD | 54 | 2x1 | 168-10 | Piston 19mm dia. |
| 10 | 1 | 612-106 | Clamp, Lower Handlebar | 55 | 2x1 | | Seal, Secondary, 19mm (See Ref. 63) |
| 11 | 1 | 612-105 | Clamp, Upper Handlebar | 56 | 2x1 | | Boot, Rubber (See Ref. 63) |
| 12 | 1 | 950-11 | Wldt, Steering Bracket | 57 | 2 | 953-02 | Pin, Female, Steering |
| 14 | 2 | 105-16 | Bushing, Oilite - 3/4 x 1/2 | 58 | 2 | 117-03 | Nut, Fin Hex 1/4-20 Zn |
| 15 | 2 | 110-17 | Key, 3/16 x 3/16 x .625 | 59 | 2 | 812-31 | Fin, Male |
| 16 | 2 | 103-111 | HHCS 1/4-20 x 3.5 Zn | 60 | 2 | 112-02 | SHSS 10-24x1/4 Knurl Cup PT, PL |
| 17 | 2 | 112-47 | SHCS, 1/4-20 x 1.0 Zn | 61 | 4 | 165-38 | Caliper Pin, Service Brake HDi |
| 18 | 2 | 117-27 | Locknut, Nylon 1/4-20 Zn | 62 | 2x2 | 168-07 | Pin, Cotter 1/8 x 3.00 Zn |
| 19 | 1 | 953-06 | Actuator, Steering | 63 | 2x1 | 161-25 | O-Ring Kit - Master Cylinder (incl. Ref. 53, 55 & 56) |
| 20 | 1 | 953-07 | Nut, Toggle | 64 | 7 | 160-44 | Bolt, Banjo - M10 x 1,0 x 21,0 |
| 21 | 2 | 103-69 | SHCS 1/4-20 x 1.5 Zn | 65 | 14 | 160-01 | Washer, Copper - 1,5 x 10,0 x 14,0 |
| 22 | 1 | 126-93 | Clamp, Nylon Wire - 1/2" ID | 66 | 1 | 120-13 | Rivet, 3/16 x 3/4 Black |
| 23 | 4 | 112-114 | HHCS M6 x 1 x 60mm Zn | | | | |
| 24 | 4 | 108-68 | Lockwasher, Hi-Collar M6 Zn | | | | |
| 25 | 2x8 | 108-24 | Washer, .34 x .70 x .06 Zn | | | | |
| 26 | 2 | 812-17 | Collar | | | | |
| 27 | 1 | 165-31 | Handbrake, Left Hydraulic | | | | |
| 28 | 1 | 163-08 | Hose, Service Brake, XT | | | | |
| 29 | 2 | 127-35 | Grip, Molded | | | | |
| 30 | 1 | 127-81 | Throttle Twist Grip | | | | |
| 31 | 1 | 612-135 | Cable Asm., Throttle, XTI | | | | |
| | | 612-136 | Cable Asm., Throttle, XTD | | | | |
| 32 | 2 | 165-32 | Caliper, Service (includes Ref. 44 & 61) | | | | |
| 33 | 1 | 166-10 | Caliper, Hydraulic Brake - L w/o pads | | | | |
| 34 | 1 | 166-11 | Caliper, Hydraulic Brake - R w/o pads | | | | |
| 35 | 2 | 161-05 | O-ring Kit, Knott Caliper | | | | |
| 36 | 4 | | Seal, Piston | | | | |
| 37 | 2 | | Seal, Rubber | | | | |
| 38 | 2x1 | 168-20 | Plug, Rubber | | | | |
| 39 | 2x1 | 168-02 | Screw, Bleeding, Knott Caliper | | | | |
| 40 | 2x4 | 103-55 | HHCS, 5/16-18 x 2.75 Gr Zn | | | | |
| 41 | 1 | 170-03 | Pad Set (4), Brake - Non-Asbestos | | | | |
| 42 | 2x4 | 117-03 | Nut, Fin Hex 5/16-18 Zn | | | | |
| 43 | 2x2 | 168-01 | Piston, Knott Caliper | | | | |
| 44 | 1 | 165-36 | Brake Pad (4) Replacement - Kit | | | | |
| 45 | | 126-19 | Fluid, Brake-Silicon Dot 5 - .35L | | | | |

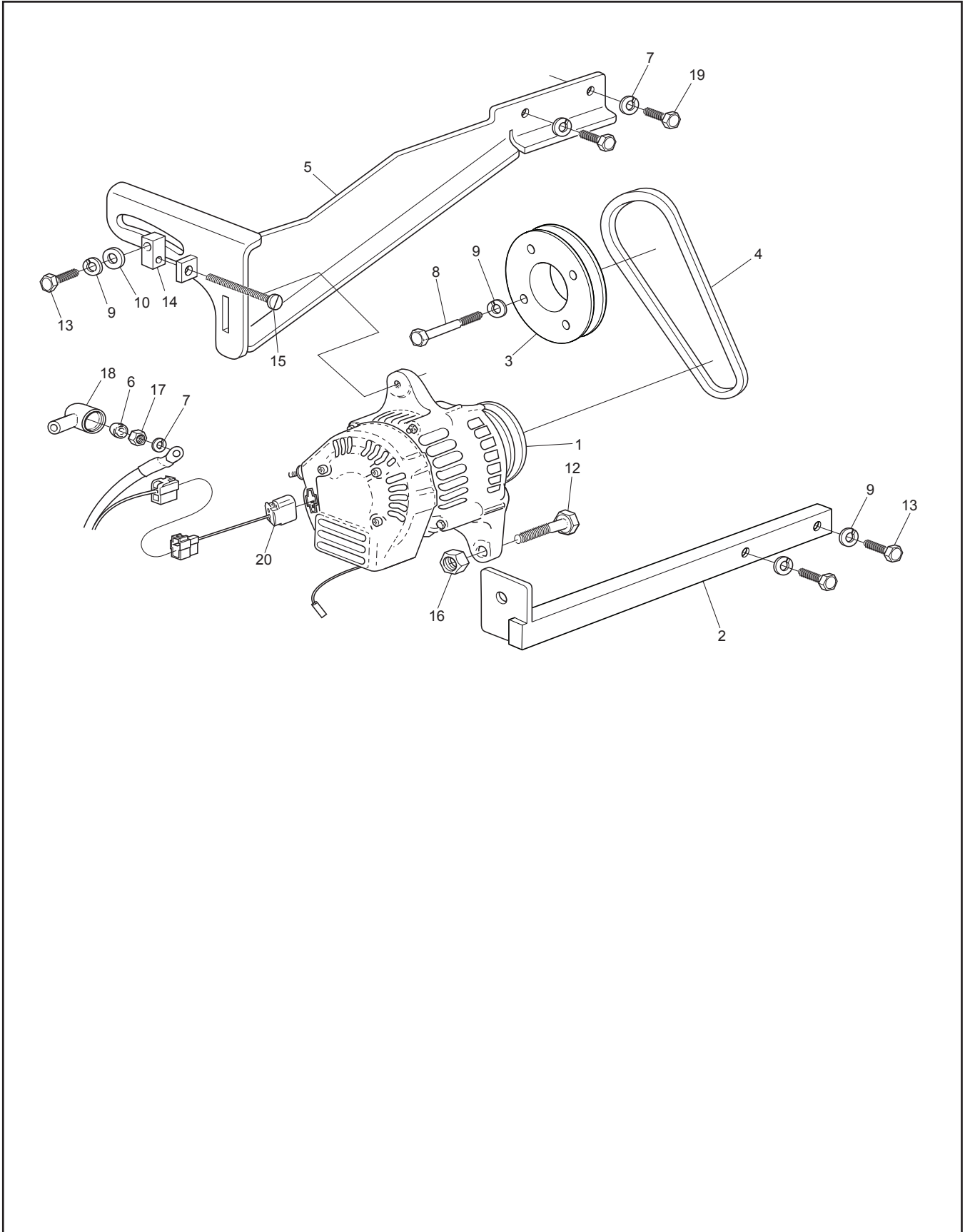
10.0 Parking Brake

XTI/XTD Parts Manual



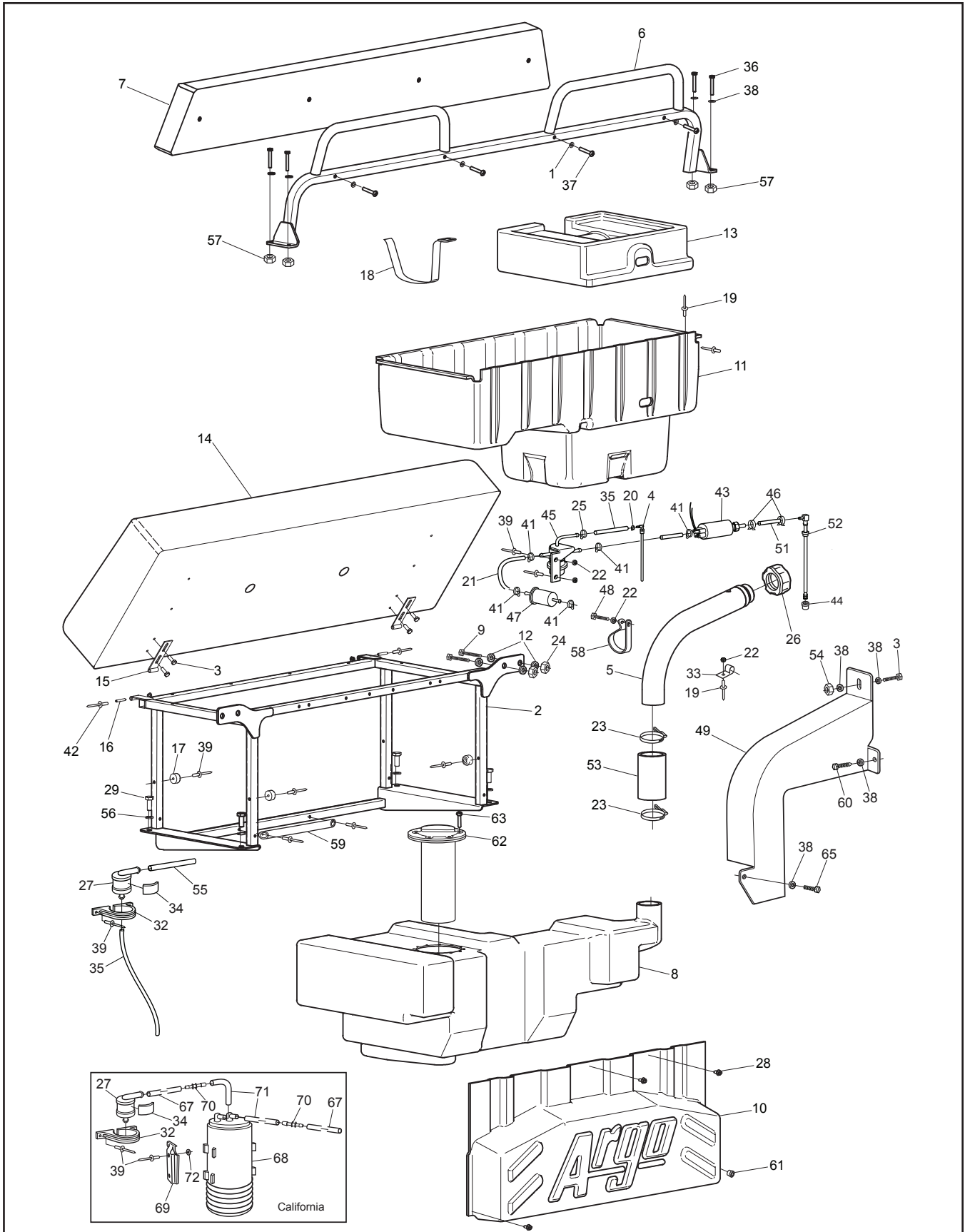
| Ref. | Qty. | Part # | Description |
|-------------|-------------|---------------|---|
| 1 | 1 | 165-52 | Rotor, E-Brake |
| 2 | 1 | 165-49 | Spacer, ID.39 x OD.63 x .295 |
| 3 | 1 | 165-48 | Spacer, ID.39 x OD.63 x .90 |
| 4 | 1 | 106-29 | Retaining Ring SH-0093-PA |
| 5 | 2 | 108-05 | Lockwasher 5/16 Split-Ring Zn |
| 6 | 1 | 112-143 | SHCS 5/16 x 1.25 Zn |
| 7 | 2 | 112-173 | Locknut, #5-40, Zn |
| 8 | 1 | 850-81 | Cable, Parking Brake |
| 9 | 1 | 100-100 | Pin, Cotter 1/8x3/4 Zn |
| 10 | 2 | 103-06 | HHCS 5/16-18x1.0 Gr5 Zn |
| 11 | 1 | 104-27 | Pin, Clevis 5/16x.75" Zn |
| 12 | 1 | 850-79 | Pulley, Parking Brake Cable |
| 13 | 1 | 112-178 | Bolt, Shoulder, 1/2 x 5/8 |
| 14 | 2 | 112-172 | SHCS 5-40 x 3/4 Zn |
| 15 | 1 | 108-35 | Washer .53 x 1.06 x .09 Zn |
| 16 | 2 | 108-24 | Washer .34x.70x.06 Zn |
| 17 | 7 | 108-47 | Washer .39x.94x.13 Zn Di-Chro |
| 18 | 1 | 809-147 | Lever, Parking Brake |
| 19 | 1 | 848-176 | Harness, Horn Momentary* |
| 20 | 1 | 112-19 | Screw,IHWH T/C Slot 1/4-20x1/2* |
| 21 | 1 | 112-228 | SHCS 5/16-18 x 3.25 Zn |
| 22 | 2 | 117-21 | Locknut, Nylon 5/16-18 Zn |
| 23 | 1 | 848-87 | Horn, Electric* |
| 24 | 1 | 613-120 | Switch, Micro, Lever |
| 25 | 1 | 118-52 | Fuse, 10A 2-Prong (AT010)* |
| 26 | 1 | 848-175 | Switch, Horn Momentary* |
| 27 | 1 | 103-08 | HHCS 1/4-20 x 1.0 Zn |
| 28 | 1 | 117-27 | Locknut, Nylon 1/4-20 Zn |
| 29 | 1 | 165-50 | Caliper, Parking Brake, Ass'y(incl. Ref. #'s 30-36) |
| 30 | 1 | 165-44 | Caliper, Wldt Parking Brake |
| 31 | 1 | 165-51 | Cam, Caliper, Park Brake |
| 32 | 1 | 165-36 | Brake Pad Replacement Kit |
| 33 | 1 | 127-280 | Spring, Extension 3/8" x 1.75" |
| 34 | 3 | 117-25 | Nut, Conelock 5/16-18 |
| 35 | 2 | 112-224 | Bolt, Shoulder 3/8 x 1.25 |
| 36 | 1 | 112-223 | Bolt, Shoulder 3/8 x 0.38 |
| 37 | 1 | 952-85 | Guard, P-Brake - XT |
| 38 | 1 | 953-42 | Cover, Brake Cable, XT |
| 39 | 4 | 112-102 | Screw, Self Drill 12-14 x 3/4" |
| 40 | 14" | 601-107RM | Trim, Neoprene |

*If equipped



| Ref. | Qty. | Part # | Description |
|-------------|-------------|---------------|--|
| 1a | 1 | 958-98 | Acc., Alternator Ass'y 40A XTI (Prior to Serial # 34809) |
| 1b | 1 | 958-167 | Acc., Alternator Ass'y 60A XTI (From Serial # 34809) |
| 2 | 1 | 850-191 | Bracket Assy, Altr Engine Lower |
| 3 | 1 | 850-59 | Pulley, V-Belt |
| 4 | 1 | 850-45 | V-Belt, 3/8" x 19" |
| 5 | 1 | 850-234 | Bracket Ass'y, Altr. Upper 60A XTI |
| 6 | 1 | 117-94 | Pushnut, 5/32" Shaft |
| 7 | 3 | 108-03 | Lockwasher 1/4" Split Ring Zn |
| 8 | 4 | 112-167 | HHCS M8 x 1,25 x 80 mm Zn |
| 9 | 7 | 108-05 | Lockwasher 5/16" Split Ring Zn |
| 10 | 1 | 108-24 | Flat Washer .34 x .70 x .06 Zn |
| 12 | 1 | 112-22 | HHCS M10 x 1,50 x 50mm Zn |
| 13 | 3 | 112-63 | HHCS M8 x 1.25 x 35mm Gr5 Zn |
| 14 | 1 | 850-52 | Block, Adjuster |
| 15 | 1 | 112-65 | RHMS 1/4 - 20 x 3" Phil Zn |
| 16 | 1 | 117-60 | Locknut, Nyloc M10x1.5mm Zn8 |
| 17 | 1 | 117-63 | Nut, Hex M6 x 1.0 Zn |
| 18 | 1 | 613-45 | Insulator, Terminal (6ga.) |
| 19 | 2 | 112-97 | HHCS M6 x 1,0 x 25mm Zn |
| 20 | 1 | 613-222 | Wire Harness, Alt 60A XTI (From Serial # 34809) |

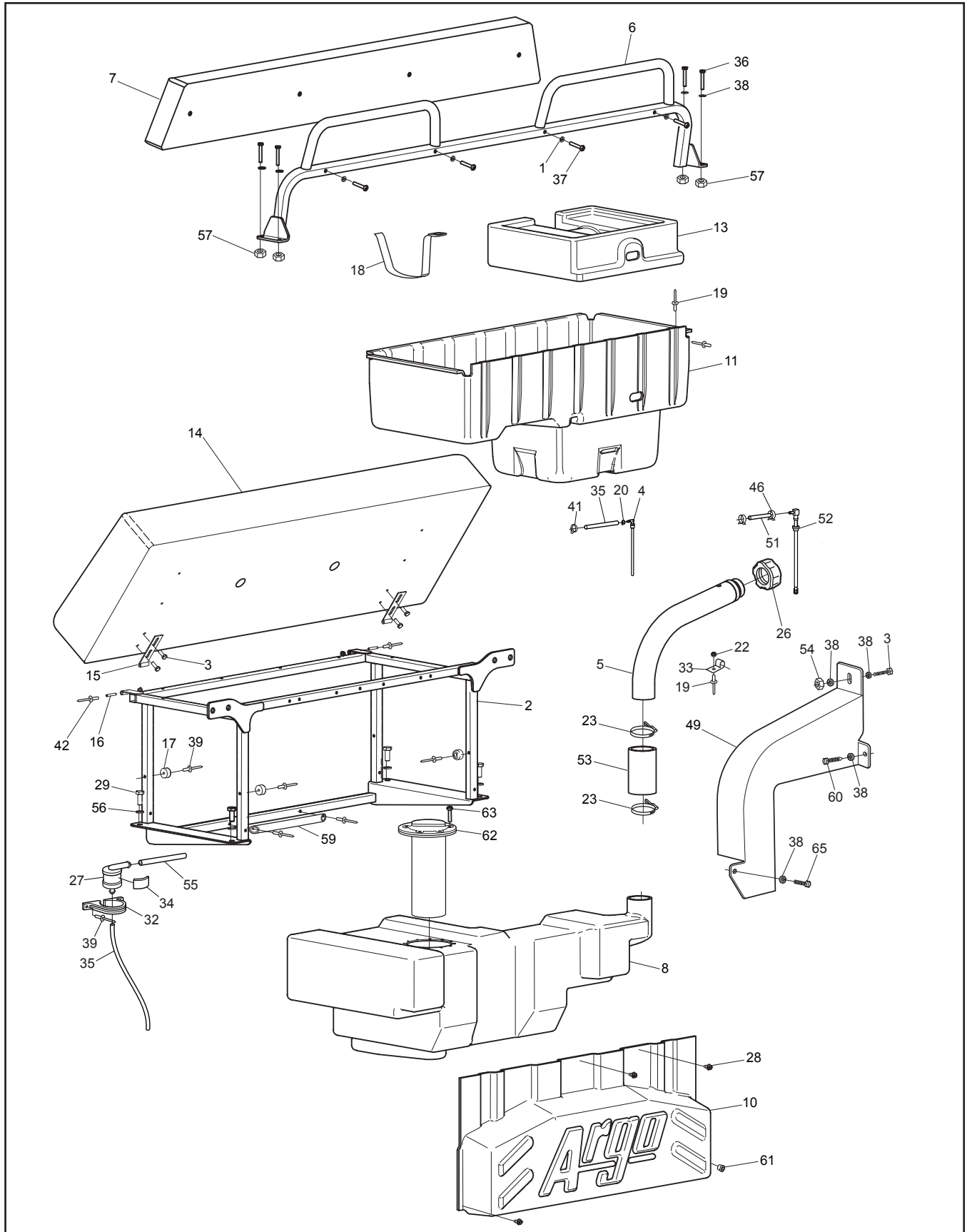
12.0 Fuel System & Seat Assembly-XTI XTI/XTD Parts Manual



XTI/XTD Parts Manual 12.0 Fuel System & Seat Assembly-XTI

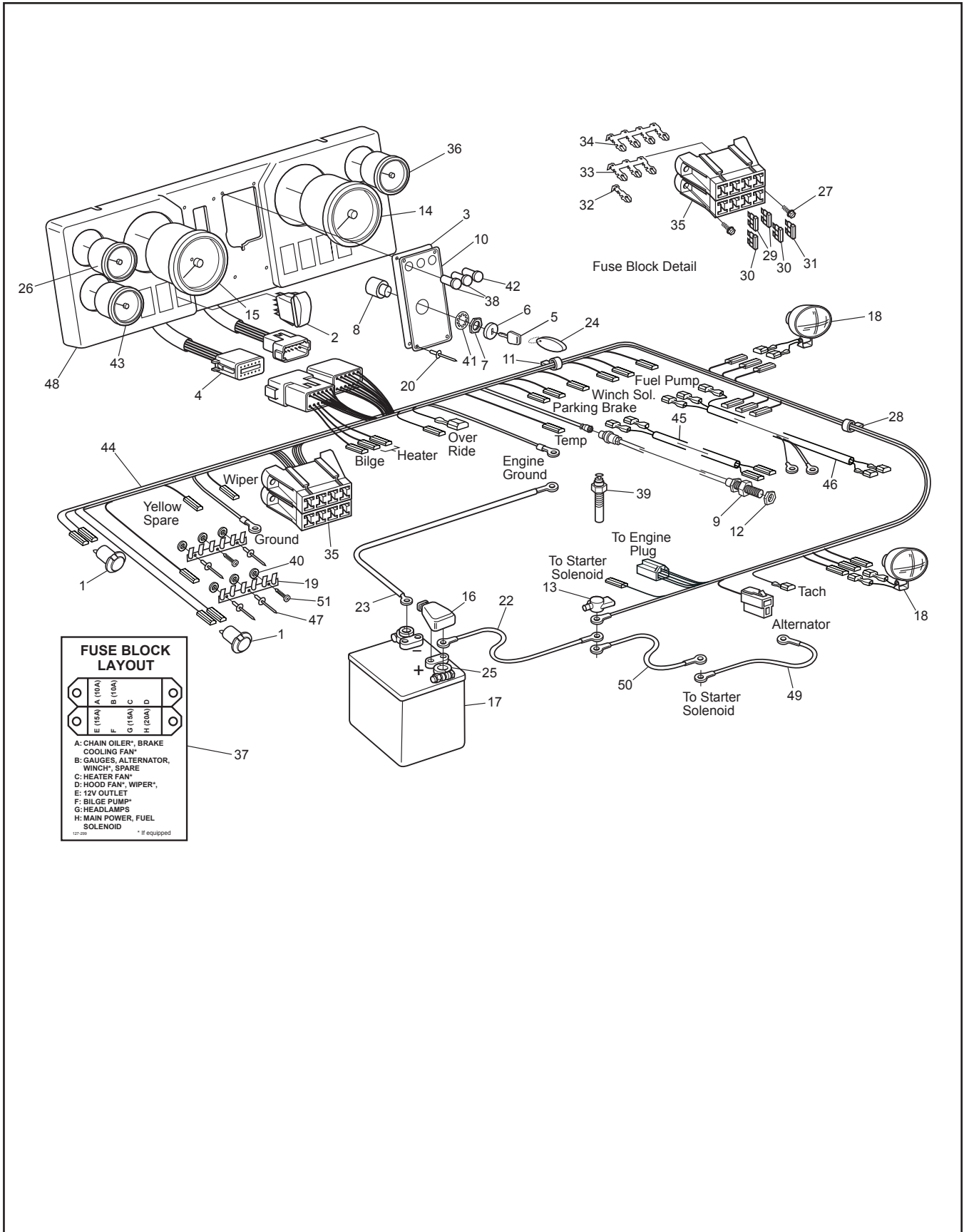
| Ref. | Qty. | Part # | Description | Ref. | Qty. | Part # | Description |
|------|------|-----------|---|------|------|-----------|---|
| 1 | 11 | 108-03 | Lockwasher 1/4 Split Ring Zn | 53 | 1 | 125-101 | Hose, Fuel Fill, XT |
| 2 | 1 | 950-13 | Wldt, Bench Frame, XT | 54 | 1 | 117-27 | Locknut, Nylon 1/4-20 Zn |
| 3 | 5 | 112-04 | HHCS 1/4-20x3/4 Gr2 Zn | 55 | 1 | 126-101RM | Hose, Vent 3/16" ID |
| 4 | 1 | 608-138 | Return, Fuel Port | 56 | 4 | 108-67 | Lockwasher M10 Split-Ring Zn |
| 5 | 1 | 950-31 | Tube Ass'y, Fuel Fill - XT | 57 | 4 | 112-115 | Locknut, Nylon M6 x 1 Zn |
| 6 | 1 | 950-08 | Frame Ass'y, Backrest - XT | 58 | 1 | 127-276 | Clamp, Loop, 2-1/4"-XT |
| 7 | 1 | 608-39 | Back Pad Assembly | 59 | 1 | 952-146 | Bumper, Fuel Tank - XT |
| 8 | 1 | 951-18 | Tank, Fuel Loperm - XT | 60 | 1 | 112-102 | Screw, Self Drill 12-14x3/4" |
| 9 | 4 | 112-133 | HHCS M10x1,5x35mmZn-8.8 | 61 | 1 | 117-79 | Insert, M6x1,0 -10 mm OD |
| 10 | 1 | 951-11 | Cover, Fuel Comps - XT | 62 | 1 | 953-39 | Sender, Fuel - 5.5-15.5 (Prior to S.N. 34049) |
| 11 | 1 | 951-09 | Toolbox, XT - Bench Seat | | 1 | 953-53 | Sender, Dip Tube (From S.N. 34049) |
| 12 | 8 | 108-15 | Washer .42x.81x.05 Zn | 63 | 5 | 112-221 | PHMS, Phil 10-32 x 5/8" (Prior to S.N. 34049) |
| 13 | 1 | 951-10 | Cover, Battery -XT | | 5 | 112-231 | PHMS, M5 - 0.8 x 20 (From S.N. 34049) |
| 14 | 1 | 608-88 | Seat Assembly, Bench - Thick | 64 | 1 | 953-40 | Hardware, Fuel Sender (Prior to S.N. 34049) Not shown |
| 15 | 2 | 608-81 | Hinge, Seat, Bolted | | 1 | 112-220 | HHCS M6x1X20mm Gr Zn |
| 16 | 2 | 104-43 | Pin, 3/16" x 1-1/8" | | | | United States Vehicle Kit |
| 17 | 3 | 126-102 | Bumper, Recessed Hole | 8 | 1 | 951-18 | Tank, Fuel Loperm - XT |
| 18 | 1 | 608-56 | Strap, Battery | | 1 | 127-273 | Plate, Serial Blank Double |
| 19 | 17 | 120-09 | Rivet 3/16x1 - Black | | 1 | 127-274 | Label, U.S EPA EVAP Approval |
| 20 | 4 | 112-79 | Clamp, Hose, 1/2" - Red | 66 | 2 | 120-24 | Rivet, Alum - 3/32 x 3/8 Black |
| 21 | 1 | 608-69 | Hose, Fuel 5/16" ID x 7.5' - Carb | | | | California Vehicle Kit |
| 22 | 10 | 120-04 | Washer .19 x .50 x .08 Zn | 8 | 1 | 608-120 | Tank, Fuel Low Permeation |
| 23 | 2 | 100-12 | Clamp, Gear 2.25" HF-36 | | 1 | 127-273 | Plate, Serial Blank Double |
| 24 | 4 | 117-60 | Locknut, Nyloc M10x1.5mm Zn | | 1 | 127-274 | Label, U.S EPA EVAP Approval |
| 25 | 1 | 112-253 | Clamp, Fuel Injection 1/4" | 39 | 2 | 120-13 | Rivet - 3/16 x 3/4 Black |
| 26 | 1 | 126-100 | Fuel Cap, Tethered | 66 | 4 | 120-24 | Rivet, Alum - 3/32 x 3/8 Black |
| 27 | 1 | 609-47 | Valve, Rollover | | 1 | 127-275 | Label, Carb EVAP Approval |
| 28 | 4 | 112-19 | Screw, IHWH T/C Slot 1/4- 20x1/2 | 67 | 1 | 126-101RM | Hose, Vent 3/16" ID |
| 29 | 4 | 112-93 | HHCS M10 x 1,5 x 25mm | 68 | 1 | 609-45 | Carbon Canister 800cc |
| 32 | 1 | 609-50 | Clamp, Rollover Valve | 69 | 1 | 609-46 | Bracket, Carbon Canister |
| 33 | 7 | 126-93 | Clamp, Nylon Wire - 1/2" ID | 70 | 2 | 609-48 | Reducer, Barbed 1/4" to3/16" |
| 34 | 1 | 126-60 | Vinyl Strip 1/2" x 1/4" | 71 | 2 | 127-160-3 | Hose, 1/4IDx3/8OD - 3" Long |
| 35 | 72" | 127-160RM | Tubing, 1/4 ID Clear Plastic | 72 | 2 | 120-05 | Washer .19x.50x.04 Zn |
| 36 | 4 | 112-98 | HHCS M6 x 1 x 40mm Zn | | | | |
| 37 | 4 | 103-03 | PHMS, Phil 1/4-20 x 1.50 Zn | | | | |
| 38 | 8 | 108-08 | Washer .28 x .62 x .07 Zn | | | | |
| 39 | 33 | 120-13 | Rivet, 3/16 x 3/4 Black | | | | |
| 41 | 5 | 112-243 | Clamp, Fuel Injection 5/16" | | | | |
| 42 | 4 | 120-31 | Rivet, 3/16" x 1/4, Open End | | | | |
| 43 | 1 | 24 393 52 | Fuel Pump, EFI | | | | |
| 44 | 1 | 608-136 | Grommet, Fuel Return | | | | |
| 45 | 1 | 24 403 16 | Regulator, Fuel Pressure | | | | |
| 46 | 2 | 112-78 | Clamp, Hose, 9/16 | | | | |
| 47 | 1 | 24 050 03 | Filter, Fuel Line - EFI - c/w engine | | | | |
| 48 | 1 | 103-25 | PHMS 10-24x3/4 Zn | | | | |
| 49 | 1 | 950-22 | Cover, Fuel Fill, XT | | | | |
| 51 | 2" | 608-69RM | Hose, Fuel - 5/16" ID Carb | | | | |
| 52 | 1 | 953-23 | Pick-up, Fuel, XT | | | | |

12.0 Fuel System & Seat Assembly-XTD XTI/XTD Parts Manual



XTI/XTD Parts Manual 12.0 Fuel System & Seat Assembly-XTD

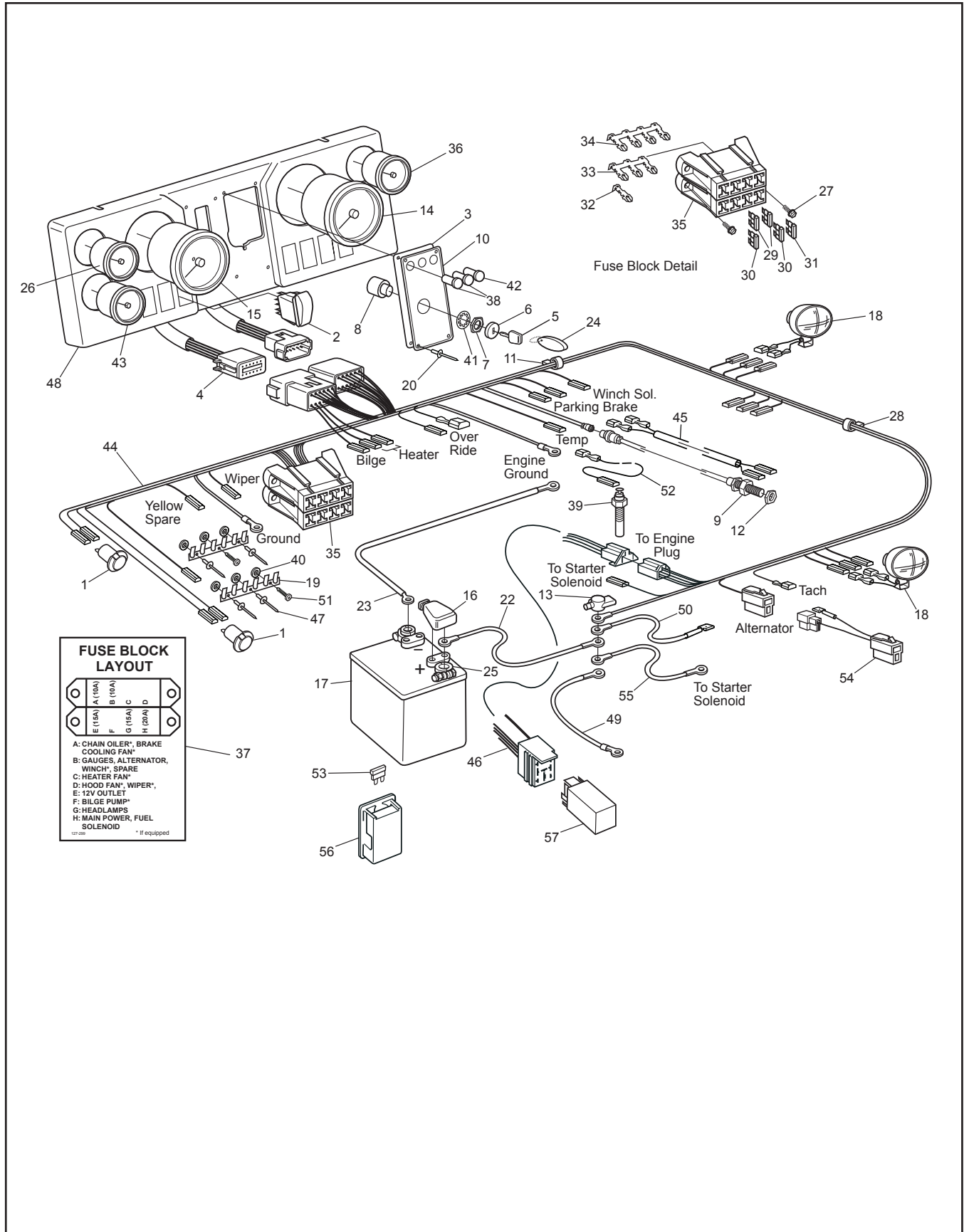
| Ref. | Qty. | Part # | Description | Ref. | Qty. | Part # | Description |
|------|------|-----------|---|------|------|-----------|-------------------------------|
| 1 | 11 | 108-03 | Lockwasher 1/4 Split Ring Zn | 50 | 1 | 808-133 | Reducer, 5/16" to 1/4" |
| 2 | 1 | 950-13 | Wldt, Bench Frame, XT | | | | Barbed |
| 3 | 5 | 112-04 | HHCS 1/4-20x3/4 Gr2 Zn | 51 | 2" | 608-69RM | Hose, Fuel - 5/16" ID Carb |
| 4 | 1 | 608-138 | Return, Fuel Port | 52 | 1 | 953-23 | Pick-up, Fuel, XT |
| 5 | 1 | 950-31 | Tube Ass'y, Fuel Fill - XT | 53 | 1 | 125-101 | Hose, Fuel Fill, XT |
| 6 | 1 | 950-08 | Frame Ass'y, Backrest - XT | 54 | 1 | 117-27 | Locknut, Nylon 1/4-20 Zn |
| 7 | 1 | 608-39 | Back Pad Assembly | 55 | 1 | 608-146-4 | Hose, Fuel-3/16"ID x 4"LG |
| 8 | 1 | 951-18 | Tank, Fuel Loperm - XT | 56 | 4 | 108-67 | Lockwasher M10 Split-Ring Zn |
| 9 | 2 | 103-77 | HHCS, 1/4-28 x 2.0 | 57 | 4 | 112-115 | Locknut, Nylon M6 x 1 Zn |
| 10 | 1 | 951-11 | Cover, Fuel Comps - XT | 58 | 1 | 609-48 | Reducer, Barbed 1/4" to 3/16" |
| 11 | 1 | 951-09 | Toolbox, XT - Bench Seat | 59 | 1 | 952-146 | Bumper, Fuel Tank - XT |
| 12 | 1 | | See Section 13.0 Electrical System | 60 | 1 | 112-102 | Screw, Self Drill 12-14x3/4" |
| 13 | 1 | 951-10 | Cover, Battery -XT | 61 | 1 | 117-79 | Insert, M6x1,0 -10 mm OD |
| 14 | 1 | 608-88 | Seat Assembly, Bench - Thick | 62 | 1 | 953-53 | Sender, Dip Tube |
| 15 | 2 | 608-81 | Hinge, Seat, Bolted | 63 | 5 | 112-231 | PHMS, M5 - 0.8 x 20 |
| 16 | 2 | 104-43 | Pin, 3/16" x 1-1/8" | 64 | 1 | 808-133 | Reducer, 5/16" to 1/4" |
| 17 | 3 | 126-102 | Bumper, Recessed Hole | | | | Barbed |
| 18 | 1 | 608-56 | Strap, Battery | 65 | 1 | 112-220 | HHCS M6x1X20mm Gr Zn |
| 19 | 17 | 120-09 | Rivet 3/16x1 - Black | | | | |
| 20 | 2 | 112-79 | Clamp, Hose, 1/2" - Black | | | | |
| 21 | 1 | 608-69 | Hose, Fuel 5/16" ID x 7.5' - Carb | | | | |
| 22 | 7 | 120-04 | Washer .19 x .50 x .08 Zn | | | | |
| 23 | 2 | 100-12 | Clamp, Gear 2.25" HF-36 | | | | |
| 24 | 1 | 125-94 | Hose, Filler | | | | |
| 25 | 1 | 112-07 | RHMS 10-24 x 1.50 Zn | | | | |
| 26 | 1 | 126-100 | Fuel Cap, Tethered | | | | |
| 27 | 1 | 609-47 | Valve, Rollover | | | | |
| 28 | 4 | 112-19 | Screw, IHWH T/C Slot 1/4-20x1/2 | | | | |
| 29 | 4 | 112-93 | HHCS M10 x 1,5 x 25mm | | | | |
| 30 | 10 | 108-42 | Washer .21 x 1.0x.06 Zn | | | | |
| 31 | 3 | 117-10 | Locknut, Nylon #10-24 Zn | | | | |
| 32 | 1 | 609-50 | Clamp, Rollover Valve | | | | |
| 33 | 7 | 126-93 | Clamp, Nylon Wire - 1/2" ID | | | | |
| 34 | 1 | 126-60 | Vinyl Strip 1/2" x 1/4" | | | | |
| 35 | 72" | 127-160RM | Tubing, 1/4 ID Clear Plastic | | | | |
| 36 | 4 | 112-98 | HHCS M6 x 1 x 40mm Zn | | | | |
| 37 | 4 | 103-03 | PHMS, Phil 1/4-20 x 1.50 Zn | | | | |
| 38 | 8 | 108-08 | Washer .28 x .62 x .07 Zn | | | | |
| 39 | 33 | 120-13 | Rivet, 3/16 x 3/4 Black | | | | |
| 40 | 1 | 608-137 | Plug, Push-In | | | | |
| 41 | 2 | 112-243 | Clamp, Fuel Injection 5/16" | | | | |
| 42 | 4 | 120-31 | Rivet, 3/16" x 1/4, Open End | | | | |
| 43 | 1 | 608-68-4 | Hose, Fuel-1/4"ID x 4"LG | | | | |
| 44 | 1 | 608-136 | Grommet, Fuel Return | | | | |
| 45 | 1 | 608-68 | Hose, Fuel -1/4"ID, Bio-Diesel | | | | |
| 46 | 2 | 112-78 | Clamp, Hose, 9/16 | | | | |
| 47 | 1 | 608-69 | Hose, Fuel-5/16" ID, Carb-10' | | | | |
| 48 | 1 | 103-25 | PHMS 10-24x3/4 Zn | | | | |
| 49 | 1 | 950-22 | Cover, Fuel Fill, XT | | | | |



| Ref. | Qty. | Part # | Description |
|-------------|-------------|---------------|-----------------------------------|
| 1 | 2 | 613-90 | Outlet, 12 Volt DC |
| 2 | 1 | 613-153 | Switch, Light |
| 3 | 1 | 127-234 | Plate, Ignition - XT |
| 4 | 1 | 613-181 | Wire Harness, Gauges XT |
| 5 | 2 | 127-108 | Key, Molded |
| 6 | 1 | 127-107 | Bezel - Cover, Nut |
| 7 | 1 | 127-106 | Nut, Flanged - Plastic |
| 8 | 1 | 127-105 | Switch - Ignition |
| 9 | 1 | 613-126 | Sensor, Speedo Pickup |
| 10 | 1 | 127-236 | Label, Ignition-XT |
| 11 | 4 | 127-24 | Clamp, Nylon - 1" ID |
| 12 | 1 | 117-87 | Nut, M12 x 1.25, Zn |
| 13 | 1 | 613-124 | Insulator, 2 Way w/cap, Red |
| 14 | 1 | 613-184 | Gauge, Tachometer - XT |
| 15 | 1 | 613-185 | Gauge, Speedometer 0-45K XT |
| 16 | 1 | 127-55 | Cap, Battery Terminal - Red |
| 17 | 1 | 126-108 | Battery, 12V, XT |
| 18 | 2 | 613-175 | Headlight, 12V Bottom Mnt - XT |
| 19 | 2 | 613-37 | Terminal Strip, Ground |
| 20 | 4 | 120-33 | Rivet, 1/8 x 1/2 Black |
| 21 | 1 | 613-46 | Insulator, Terminal (2 ga.) |
| 22 | 1 | 613-197 | Wire, Positive Battery XT |
| 23 | 1 | 613-198 | Wire, Negative Battery XT |
| 24 | 1 | 681-00 | FOB, Key - Floating |
| 25 | 2 | 127-56 | Terminal, Battery Post |
| 26 | 1 | 613-186 | Gauge, Coolant Temp XT |
| 27 | 2 | 112-51 | Screw, IHWH T/C #10-24 x 5/8 |
| 28 | 4 | 126-93 | Clamp, Nylon Wire - 1/2" ID |
| 29 | 2 | 118-52 | Fuse, 10A 2 Prong (AT010) |
| 30 | 2 | 118-49 | Fuse, 15A 2 Prong (AT015) |
| 31 | 1 | 118-53 | Fuse, 20A 2 Prong (AT020) |
| 32 | 9 | 118-62 | Terminal - Fuse, single |
| 33 | 1 | 118-63 | Terminal - Fuse, triple |
| 34 | 1 | 118-61 | Terminal - Fuse, quad |
| 35 | 2 | 118-60 | Block - Fuse, 8 position (4 fuse) |
| 36 | 1 | 613-187 | Gauge, Battery Voltage XT |
| 37 | 1 | 127-299 | Label, Fuse Panel - XT |
| 38 | 2 | 613-191 | Light, Indicator Red |
| 39 | 1 | 119-11 | Sender, Coolant Temp, VDO |
| 41 | 1 | 114-26 | Lockwasher, 5/8 Int. Tooth |
| 42 | 1 | 613-192 | Light, Indicator Amber |
| 43 | 1 | 613-199 | Gauge, Fuel Level XT |
| 44 | 1 | 613-176 | Wire Harness, Kohler EFI XT |
| 45 | 1 | 613-177 | Wire Harness, Park Brake XT |
| 46 | 1 | 613-178 | Wire Harness, Fuel Pump XT |
| 48 | 1 | 613-180 | Dash Asm, Panel Gauge Wire XT |
| 49 | 1 | 613-182 | Wire Harness, Alternator XT |
| 50 | 1 | 613-183 | Wire Harness, Power XT |

13.0 Electrical System - XTD

XTI/XTD Parts Manual



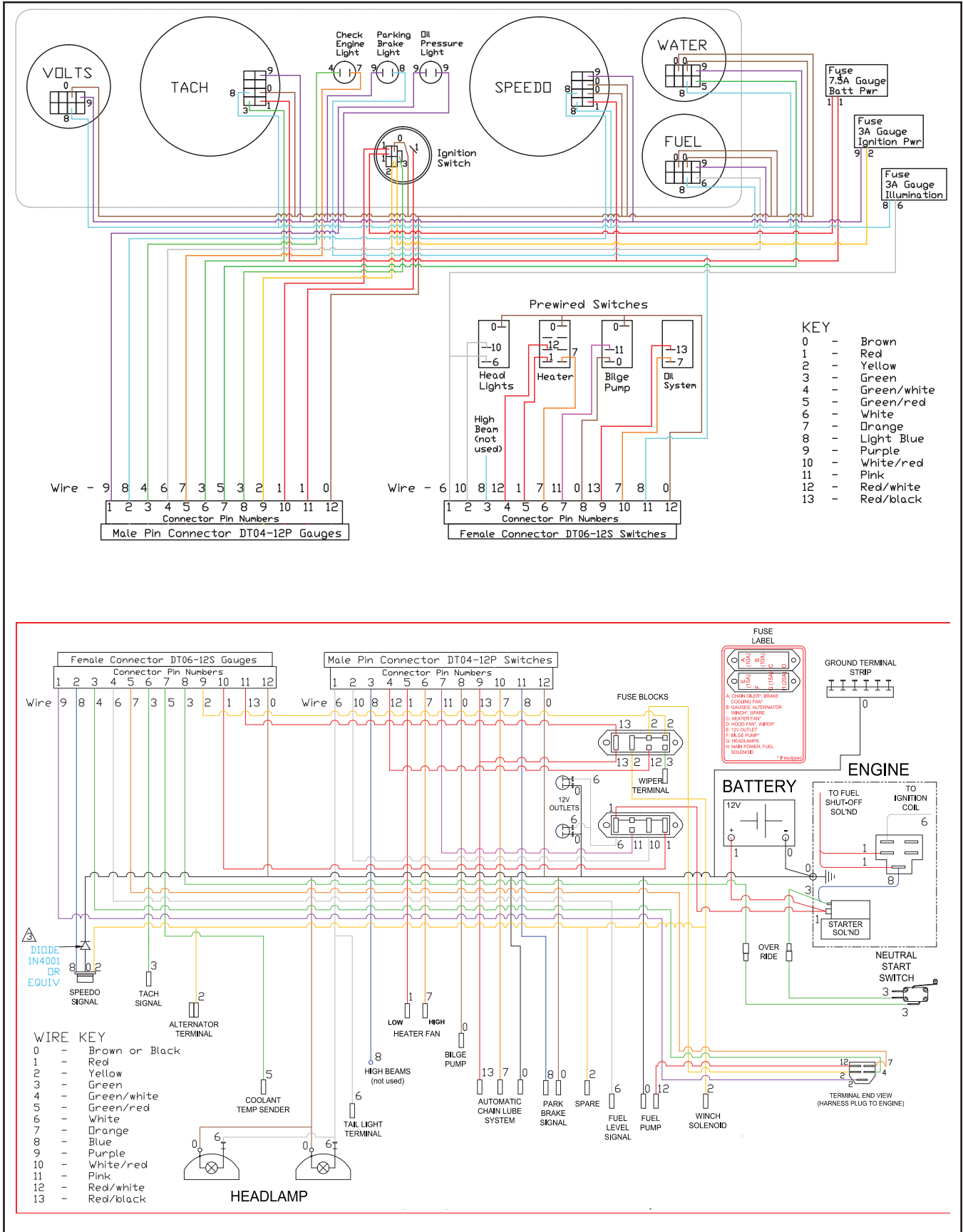
XTI/XTD Parts Manual

13.0 Electrical System - XTD

| Ref. | Qty. | Part # | Description | Ref. | Qty. | Part # | Description |
|------|------|---------|-----------------------------------|------|------|----------------|--------------------------------|
| 1 | 2 | 613-90 | Outlet, 12 Volt DC | 46 | 1 | 613-212 | Wire Harness, KDW1003 - XTD |
| 2 | 1 | 613-153 | Switch, Light | 47 | 2 | 120-15 | Rivet - 1/8 x 7/16 |
| 3 | 1 | 127-234 | Plate, Ignition - XT | 48 | 1 | 613-180 | Dash Asm, Panel Gauge Wire XT |
| 4 | 1 | 613-181 | Wire Harness, Gauges XT | 49 | 1 | 613-214 | Wire Harness, Glow Fuse - XTD |
| 5 | 2 | 127-108 | Key, Molded | 50 | 1 | 613-215 | Wire Harness, Alt. Out - XTD |
| 6 | 1 | 127-107 | Bezel - Cover, Nut | 51 | 1 | 112-102 | Screw, Self Drill 12-14 x 3/4" |
| 7 | 1 | 127-106 | Nut, Flanged - Plastic | 52 | 1 | 613-219 | Wire Harness, Eng Temp - XTD |
| 8 | 1 | 127-105 | Switch - Ignition | 53 | 1 | 118-76 | Fuse, 50A, Maxi |
| 9 | 1 | 613-126 | Sensor, Speedo Pickup | 54 | 1 | 613-213 | Wire Harness, Alternator - XTD |
| 10 | 1 | 127-290 | Label, Ignition - XTD | 55 | 1 | 613-216 | Wire Harness, Starter - XTD |
| 11 | 4 | 127-24 | Clamp, Nylon - 1" ID | 56 | 1 | 613-218 | Holder, Fuse, Maxi |
| 12 | 1 | 117-87 | Nut, M12 x 1.25, Zn | 57 | 1 | ED0021931340-S | Relay |
| 13 | 1 | 613-124 | Insulator, 2 Way w/cap, Red | | | | |
| 14 | 1 | 613-184 | Gauge, Tachometer - XT | | | | |
| 15 | 1 | 613-185 | Gauge, Speedometer 0-45K XT | | | | |
| 16 | 1 | 127-55 | Cap, Battery Terminal - Red | | | | |
| 17 | 1 | 126-108 | Battery, 12V, XT | | | | |
| 18 | 2 | 613-175 | Headlight, 12V Bottom Mnt - XT | | | | |
| 19 | 2 | 613-37 | Terminal Strip, Ground | | | | |
| 20 | 4 | 120-33 | Rivet, 1/8 x 1/2 Black | | | | |
| 21 | 1 | 613-46 | Insulator, Terminal (2 ga.) | | | | |
| 22 | 1 | 613-197 | Wire, Positive Battery XT | | | | |
| 23 | 1 | 613-198 | Wire, Negative Battery XT | | | | |
| 24 | 1 | 681-00 | FOB, Key - Floating | | | | |
| 25 | 2 | 127-56 | Terminal, Battery Post | | | | |
| 26 | 1 | 613-186 | Gauge, Coolant Temp XT | | | | |
| 27 | 2 | 112-51 | Screw, IHWH T/C #10-24 x 5/8 | | | | |
| 28 | 4 | 126-93 | Clamp, Nylon Wire - 1/2" ID | | | | |
| 29 | 2 | 118-52 | Fuse, 10A 2 Prong (AT010) | | | | |
| 30 | 2 | 118-49 | Fuse, 15A 2 Prong (AT015) | | | | |
| 31 | 1 | 118-53 | Fuse, 20A 2 Prong (AT020) | | | | |
| 32 | 9 | 118-62 | Terminal - Fuse, single | | | | |
| 33 | 1 | 118-63 | Terminal - Fuse, triple | | | | |
| 34 | 1 | 118-61 | Terminal - Fuse, quad | | | | |
| 35 | 2 | 118-60 | Block - Fuse, 8 position (4 fuse) | | | | |
| 36 | 1 | 613-187 | Gauge, Battery Voltage XT | | | | |
| 37 | 1 | 127-143 | Label, Fuse Panel - XT | | | | |
| 38 | 2 | 613-191 | Light, Indicator Red | | | | |
| 39 | 1 | 119-11 | Sender, Coolant Temp, VDO | | | | |
| 40 | 6 | 120-04 | Washer .19 x .50 x.08 Zn | | | | |
| 41 | 1 | 114-26 | Lockwasher, 5/8 Int. Tooth | | | | |
| 42 | 1 | 613-192 | Light, Indicator Amber | | | | |
| 43 | 1 | 613-199 | Gauge, Fuel Level XT | | | | |
| 44 | 1 | 613-176 | Wire Harness, Kohler EFI XT | | | | |
| 45 | 1 | 613-177 | Wire Harness, Park Brake XT | | | | |

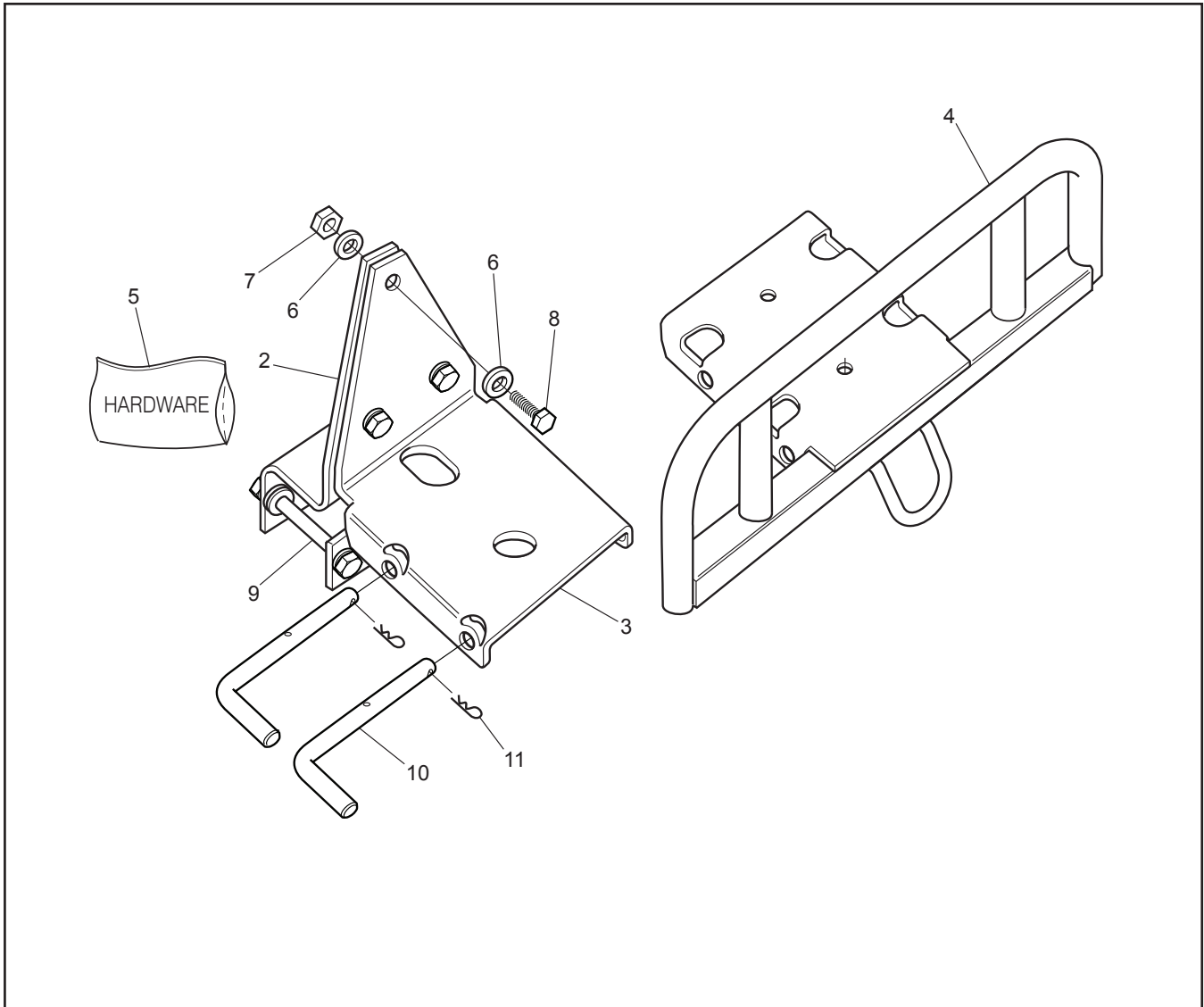
13.0 Electrical System

XTI/XTD Parts Manual

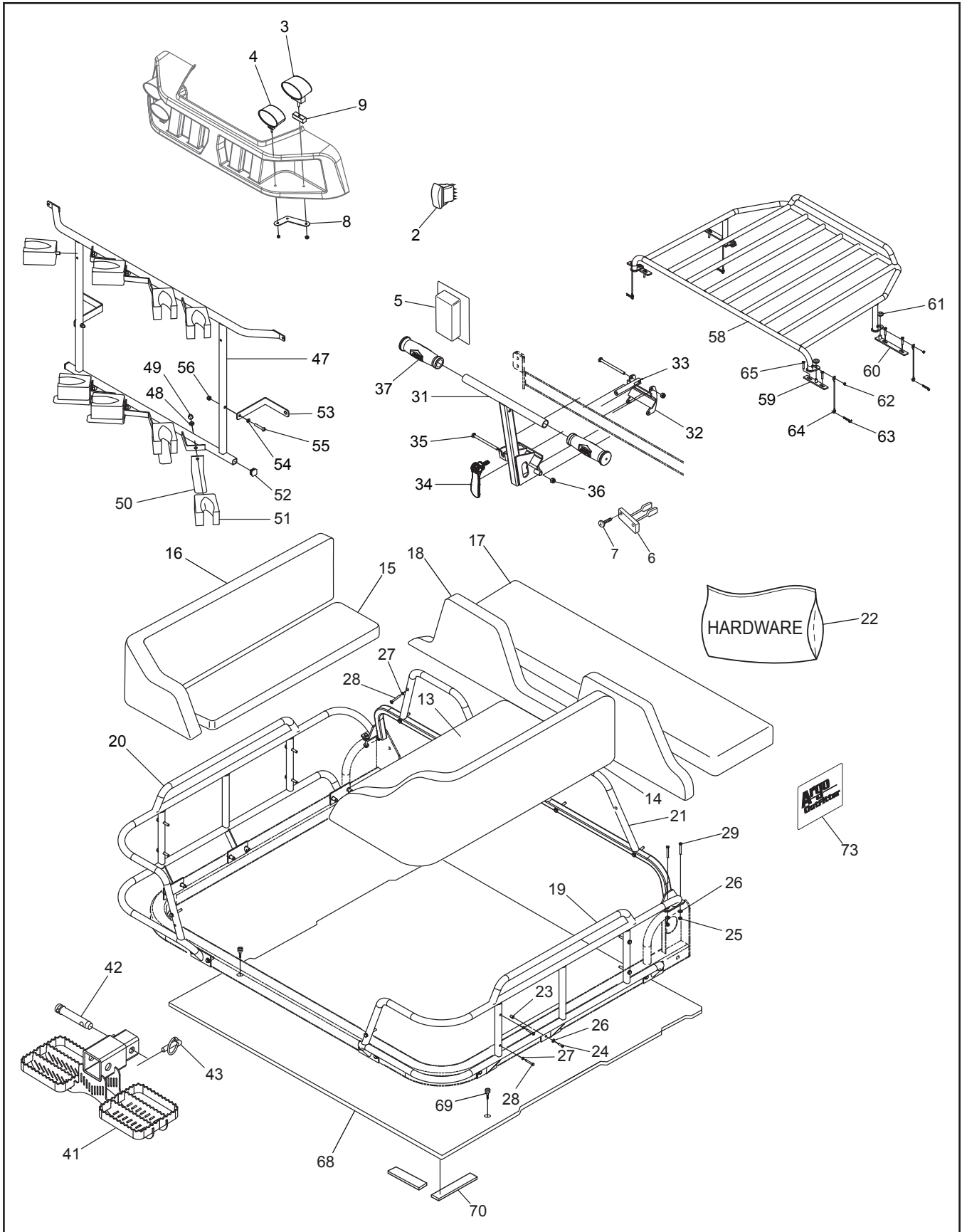


14.0 Accessories

622-131 Front Winch Mount



| Ref. | Qty. | Part # | Description |
|------|------|-------------------|-----------------------------------|
| 1 | 1 | 622-131 | Kit, Front Winch Mount -XT |
| 2 | 1 | 950-03 | ASM, FR INR Winch Supt - XT |
| 3 | 1 | 950-04 | ASM, FR OTR Winch Supt - XT |
| 4 | 1 | 622-130 | Winch Mount W/Guard |
| 5 | 1 | 622-131HDW | Hardware Kit Comprised of: |
| 6 | 10 | 108-15 | Washer .42x.81x.05 Zn |
| 7 | 5 | 117-60 | Locknut, Nyloc M10x1.5mm Z |
| 8 | 3 | 112-133 | HHCS M10x1,5x35mm Zn-8.8 |
| 9 | 2 | 112-120 | HHCS M10x1,5x80mm Zn |
| 10 | 2 | 622-85 | Release Pin, Receiver Winch |
| 11 | 2 | 100-16 | Clip, Hitch Pin 1.625 Zn |



14.0 Accessories

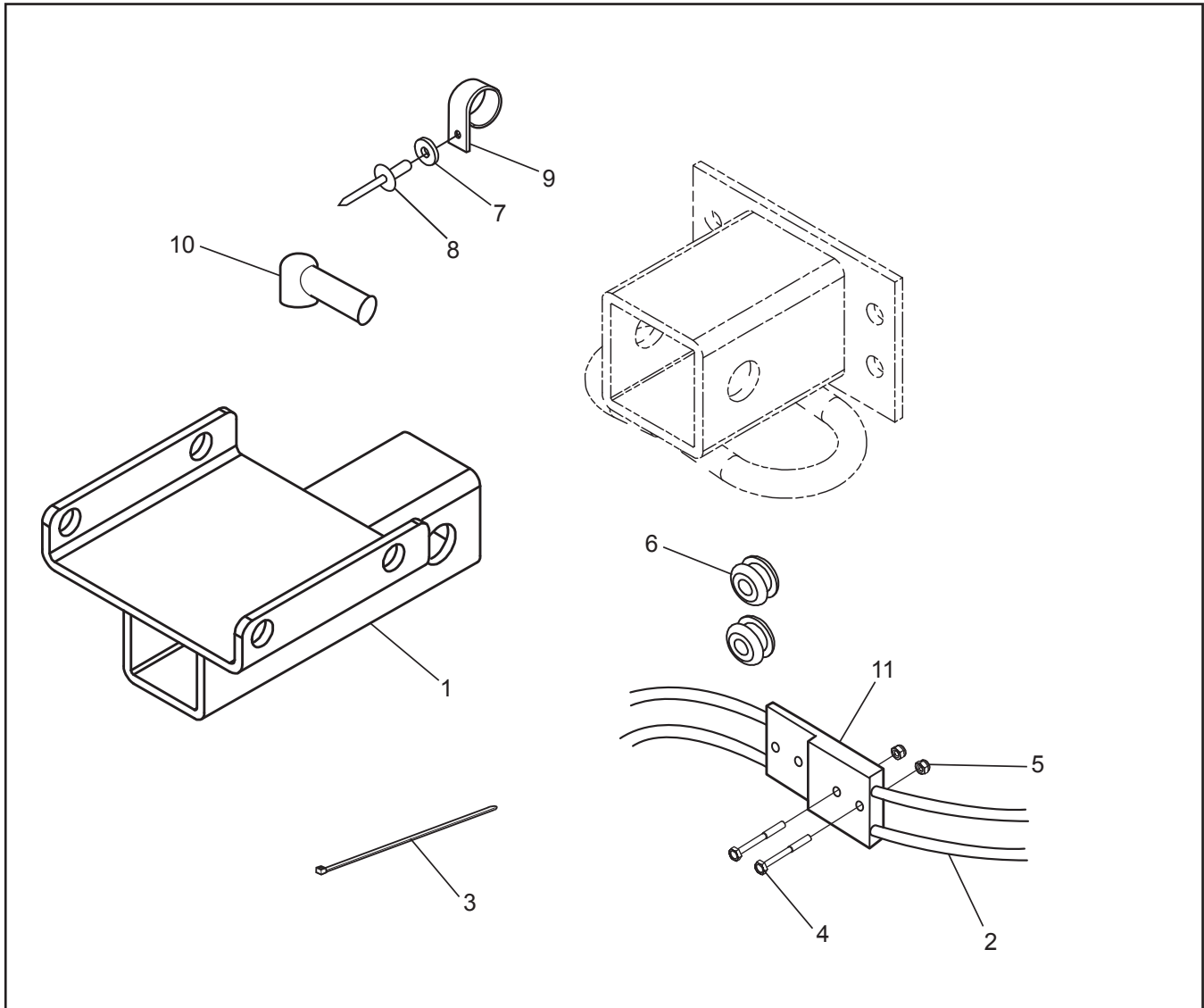
Outfitter

| Ref. | Qty. | Part # | Description | Ref. | Qty. | Part # | Description |
|-----------|----------|-------------------|-----------------------------------|------|------|---------|--|
| 2 | 1 | 613-77 | Switch, Light Hi/Low | 54 | 2 | 108-03 | Lockwasher 1/4 Split Ring Zn |
| 3 | 2 | 613-234 | Light, Cree LED Work, 20W | 55 | 2 | 103-03 | PHMS 1/4-20x1.50 Zn |
| 4 | 2 | 613-235 | Light, Led Work, 24W | 56 | 2 | 117-27 | Locknut, Nylon 1/4-20 Zn |
| 5 | 2 | 613-239 | Heated Hand Grips | 58 | 1 | 958-223 | Wldt, Hood Rack, XT |
| 6 | 3 | 613-99 | Light, Shifter Illumination | 59 | 2 | 958-268 | Wldt, Hood Rack Mount - Rear |
| 7 | 9 | 112-139 | OHPS T/S #4x5/8 Black Zn | 60 | 2 | 958-269 | Wldt, Hood Rack Mount - Front |
| 8 | 2 | 958-273 | Bracket, Headlight, XT | 61 | 4 | 127-132 | Grommet, Rubber - 1/2" ID |
| 9 | 2 | 958-270 | Plastic, Headlight Sprc,Outftr | 62 | 4 | 120-31 | Rivet, 3/16" x 1/4", Open End |
| 13 | 1 | 958-256 | Seat, RH Rear Bench, Outftr | 63 | 4 | 100-16 | Clip, Hitch Pin 1.625 Zn |
| 14 | 1 | 958-255 | Seat, RH Rear Back Rest, Outftr | 64 | 4 | 104-80 | Lanyard, 6" Loop, W/Tab |
| 15 | 1 | 958-254 | Seat, LH Rear Bench, Outftr | 65 | 8 | 112-176 | HHCS M6x1,0x30mm Zn |
| 16 | 1 | 958-253 | Seat, LH Rear Back Rest, Outftr | 68 | 1 | 806-216 | Floor Plate, Rear Flat |
| 17 | 1 | 958-252 | Seat, Front Bench, Outftr | 69 | 2 | 112-136 | Screw, Fastlead - Large |
| 18 | 1 | 958-251 | Seat, Front Back Rest, Outftr | | | | *Required For Rear Floor Plate* |
| 19 | 1 | 958-263 | Wldt, RH Rear Seat Frm, Outftr | 70 | 8 | 127-123 | Rubber, Strip -1/4x1"x 6.5" |
| 20 | 1 | 958-257 | Wldt, LH Rear Seat Frm, Outftr | | | | *Required For Rear Floor Plate* |
| 21 | 1 | 958-267 | XT Outftr Back Rest | 71 | 1 | 958-274 | Wldt, Frame, Outfitter |
| 22 | 1 | 958-250HDW | HDW Acc, Outfitter Seating | | | | *Contains Brackets For Rear Floor Plate* |
| 23 | 16 | 117-79 | Insert, M6x1,0 -10 mm OD | 72 | 2 | 638-08 | Hull Fitting 3/4" *Bilge Pump Acc* |
| 24 | 16 | 112-97 | HHCS M6x1,0x25mm Zn | 73 | 2 | 958-266 | Nameplate, Argo Outfitter |
| 25 | 4 | 112-115 | Locknut, Nylon M6x1 Zn | | | | |
| 26 | 20 | 108-08 | Washer .28x.62x.07 Zn | | | | |
| 27 | 18 | 108-03 | Lockwasher 1/4 Split Ring Zn | | | | |
| 28 | 22 | 112-297 | HHCS 1/4-20 x 1.75 Zn | | | | |
| 29 | 4 | 112-299 | HHCS M6x1,0x50mm Zn | | | | |
| 31 | 1 | 958-244 | Wldt, Grab Handle, XT | | | | |
| 32 | 1 | 950-11 | Wldt, Steering Bracket | | | | |
| 33 | 1 | 953-07 | Nut, Toggle | | | | |
| 34 | 1 | 953-03 | Handle, Quick Cam | | | | |
| 35 | 2 | 103-111 | HHCS 1/4-20x3.5 Zn | | | | |
| 36 | 2 | 117-27 | Locknut, Nylon 1/4-20 Zn | | | | |
| 37 | 2 | 127-35 | Grip, Molded Rubber | | | | |
| 41 | 1 | 958-243 | Wldt, Rear Step, XT | | | | |
| 42 | 1 | 104-13 | Pin, Top Link | | | | |
| 43 | 1 | 104-11 | Pin Lynch Locking-Ring | | | | |
| 47 | 1 | 958-238 | Wldt, Gun Rack, XT | | | | |
| 48 | 8 | 642-74 | Lockwasher 5/16 Split Blk Zn | | | | |
| 49 | 8 | 642-75 | Nut, Acorn 5/16-18 Blk Zn | | | | |
| 50 | 4 | 848-206 | Butt Plate | | | | |
| 51 | 8 | 958-239 | Sure Grip Head W/Velcro, XT | | | | |
| 52 | 2 | 867-18 | Plug, End 3/4" Tube-Black | | | | |
| 53 | 2 | 958-237 | Brkt, Gun Rack Support, XT | | | | |

Outfitter trim package also includes the following standard Argo accessories:
 622-133 Winch
 958-165 Brush Guard
 958-71 Bilge Pump

622-135 Rear Receiver Winch Bracket

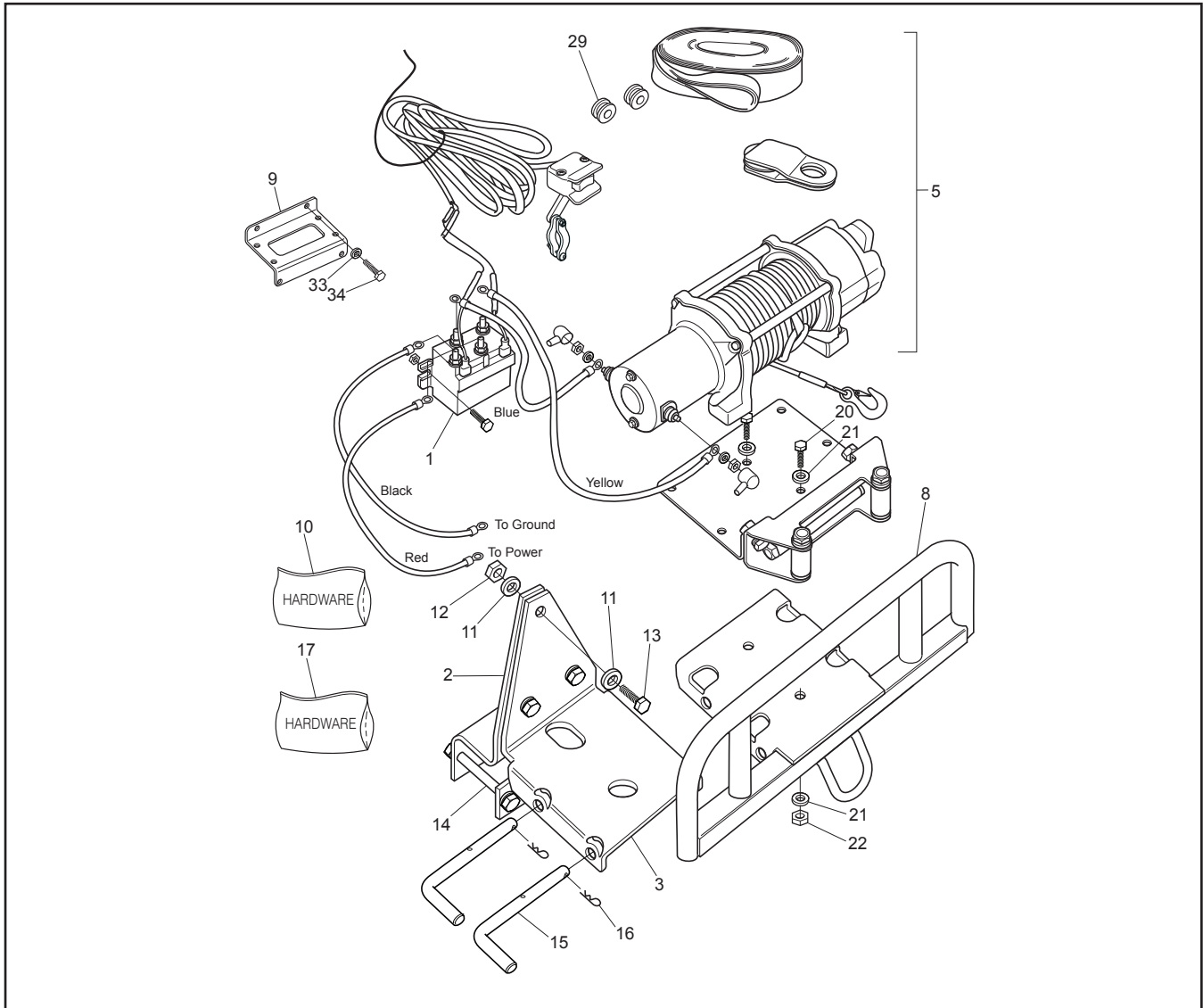
14.0 Accessories



| Ref. | Qty. | Part # | Description |
|------|------|---------|------------------------------|
| 1 | 1 | 622-134 | Receiver, Rear Winch |
| 2 | 1 | 622-116 | Wire Harness, Receiver Winch |
| 3 | 2 | 100-64 | Tie Wrap - 5.5" - Black |
| 4 | 2 | 112-126 | HHCS M3x0,5 x 30 Cl 8.8 Zn |
| 5 | 2 | 117-78 | Locknut, Nylon M3 x 0.5" Zn |
| 6 | 2 | 125-84 | Grommet, Rubber |
| 7 | 4 | 120-04 | Washer .19X.50x.08 Zn |
| 8 | 4 | 120-09 | Rivet - 3/16 x 1.0 Black |
| 9 | 4 | 127-287 | Clamp, Nylon Wire - 3/4" ID |
| 10 | 2 | 613-46 | Terminal, Insulator |
| 11 | 1 | 118-72 | Connector Housing, Anderson |

14.0 Accessories

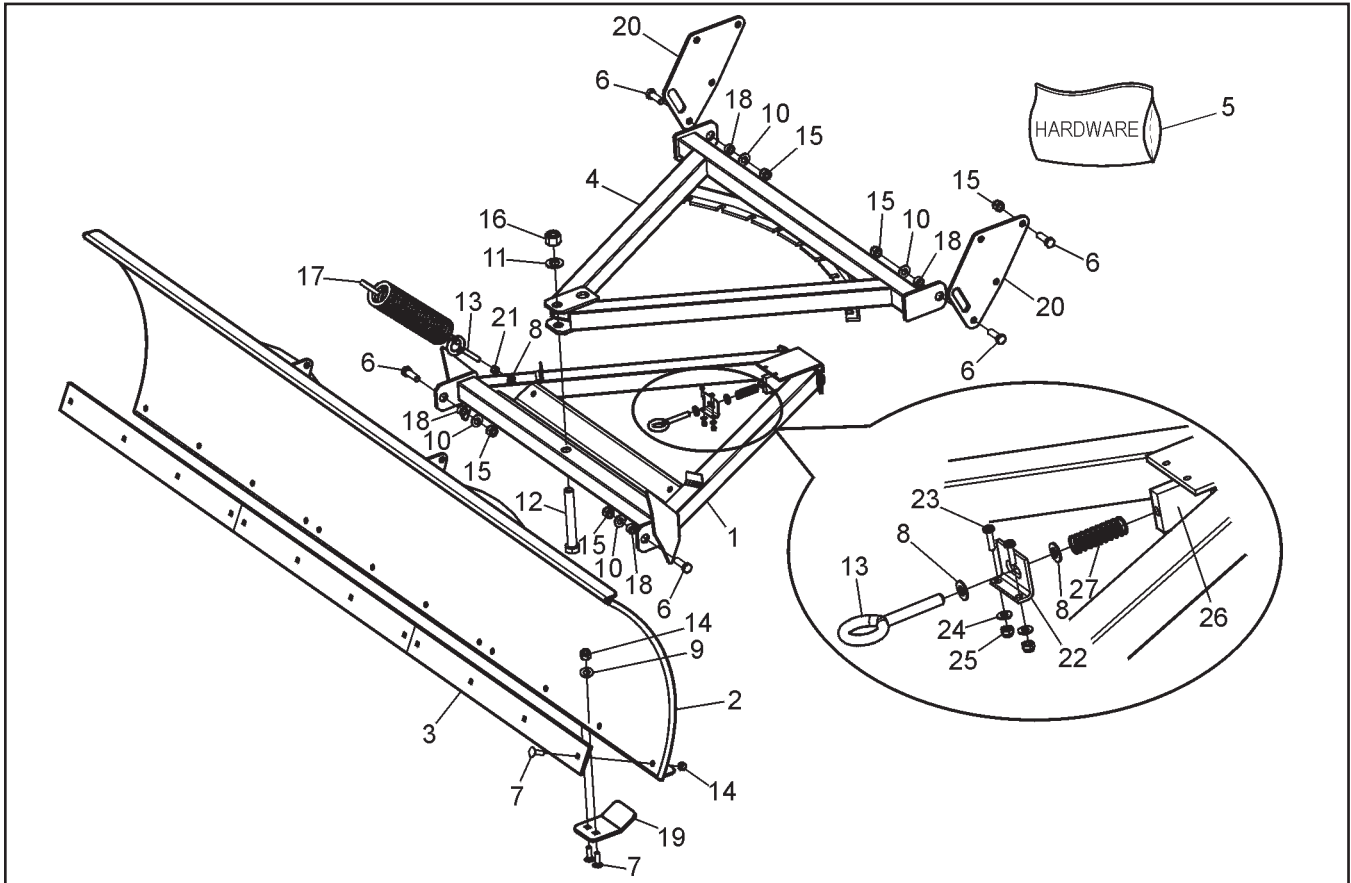
622-145 Winch



| Ref. | Qty. | Part # | Description | Ref. | Qty. | Part # | Description |
|------|------|------------|-----------------------------------|------|------|---------|-------------------------------|
| 1 | 1 | 622-141 | Solenoid, Winch, Warn | 20 | 2 | 103-34 | HHCS 3/8-16 x 1.25 Gr5 Zn |
| 2 | 1 | 950-03 | ASM, FR INR Winch Supt - XT | 21 | 4 | 108-47 | Washer .39 x .94 x .13 Zn |
| 3 | 1 | 950-04 | ASM, FR OTR Winch Supt - XT | 22 | 2 | 117-29 | Locknut, Nylon 3/8-16 Zn |
| 5 | 1 | 622-140 | Winch, Pro Vantage 4500, Warn | 23 | 4 | 100-64 | Tie Wrap - 5.5" Black |
| 8 | 1 | 622-130 | Winch Mount W/Guard | 24 | 2 | 112-126 | HHCS M3 x 0,5 x 30 CL 8.8 Zn |
| 9 | 1 | 953-08 | Mount, Engine ECU | 25 | 2 | 117-78 | Locknut, Nylon M3 x 0.5" Zn |
| 10 | 1 | 622-131HDW | Hardware Kit Comprised of: | 26 | 1 | 118-02 | Terminal, Male - #76-1251 |
| 11 | 10 | 108-15 | Washer .42x.81x.05 Zn | 27 | 1 | 118-04 | Connector, T-Tap 14-18 AWG |
| 12 | 5 | 117-60 | Locknut, Nylon 3/8-16 Zn | 28 | 1 | 118-32 | Terminal, 1/4" Male 22-18 AWG |
| 13 | 3 | 112-133 | HHCS M10x1,5x35mm Zn | 29 | 2 | 125-84 | Grommet, Rubber |
| 14 | 2 | 112-120 | HHCS M10x1,5x80mm Zn | 30 | 1 | 118-74 | Terminal, 5/16" Ring, 6GA |
| 15 | 2 | 622-85 | Release Pin, Receiver Winch | 33 | 2 | 108-03 | Lockwasher 1/4 Split Ring Zn |
| 16 | 2 | 100-16 | Clip, Hitch Pin 1.625 Zn | 34 | 2 | 112-118 | HHCS M6x1,0x15mm |
| 17 | 1 | 622-145HDW | Hardware Kit Comprised of: | 35 | 2 | 810-107 | Connector, Two Wire - 6 Gauge |
| 18 | 3 | 120-09 | Rivet - 3/16 x 1.0 Black | | | | |
| 19 | 2 | 120-04 | Washer .19 x .50 x .08 Zn | | | | |

657-106 Snowplow Assembly

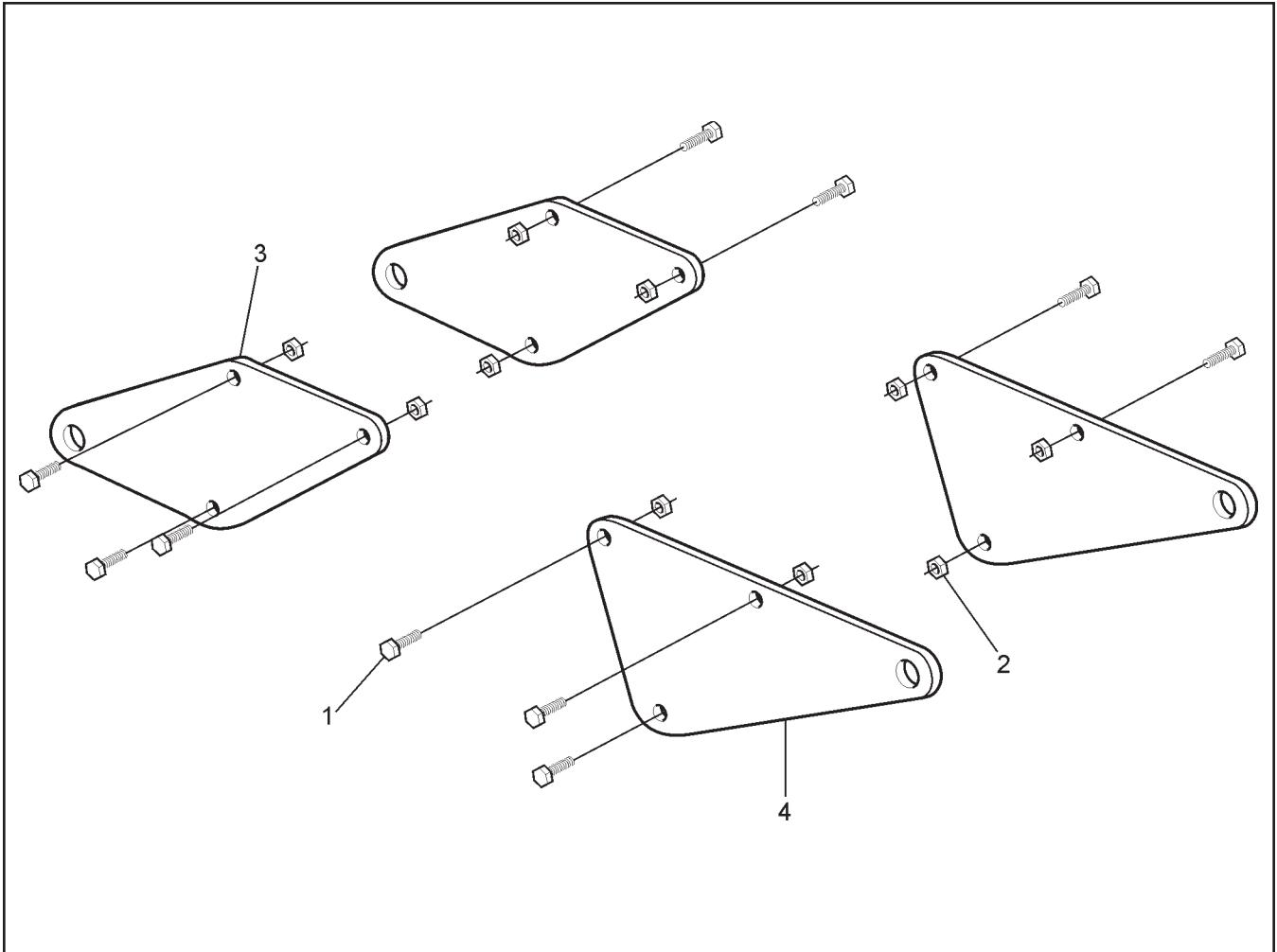
14.0 Accessories



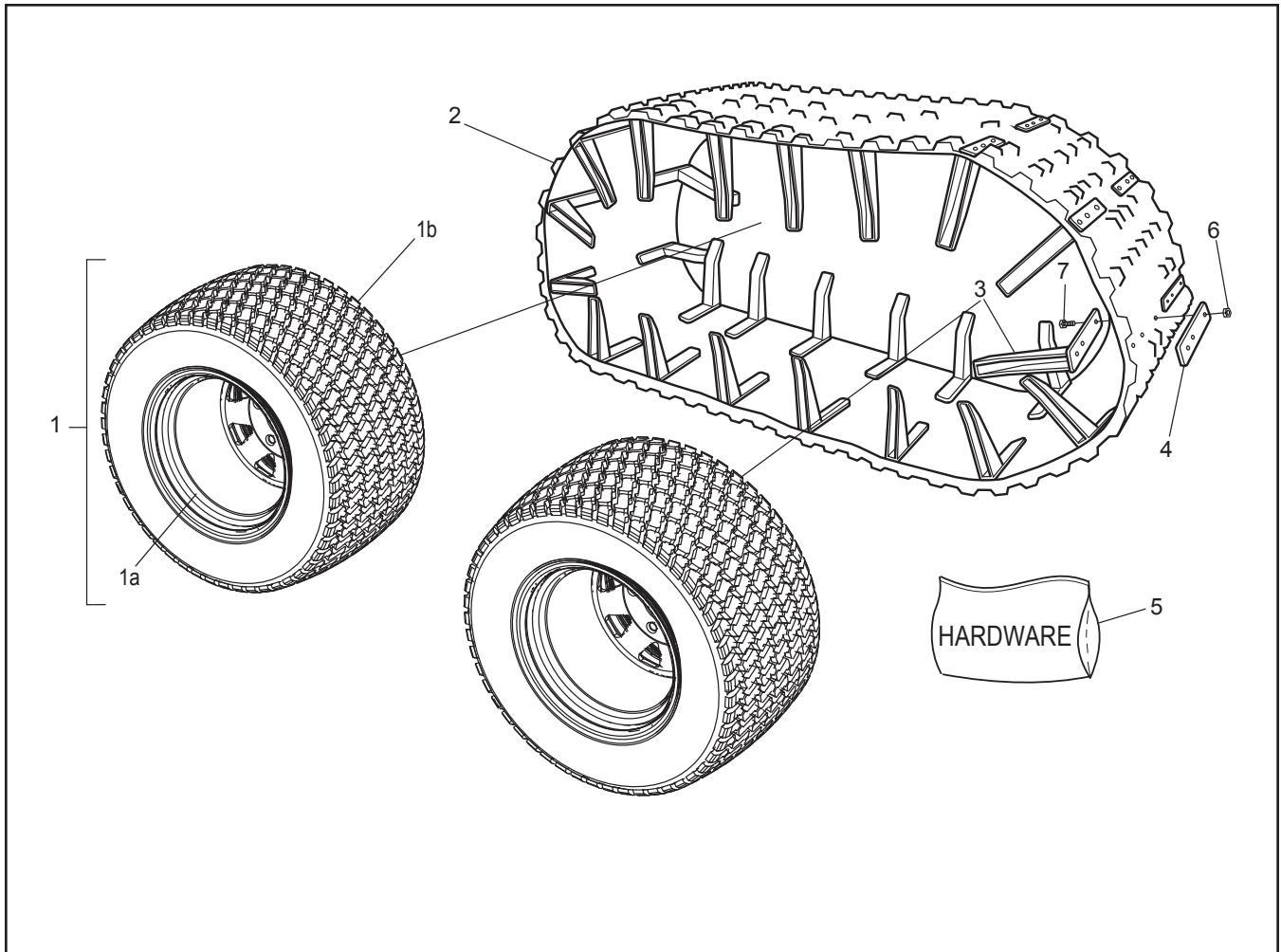
| Ref. | Qty. | Part # | Description |
|------|------|-------------------|--|
| 1 | 1 | 657-25 | Boom Assembly, Lower |
| 2 | 1 | 657-11 | Blade Assembly |
| 3 | 3 | 657-90 | Knife |
| 4 | 1 | 657-27 | Boom Assembly, Upper - Centaur |
| 5 | 1 | 657-106HDW | Hardware kit consisting of the following: |
| 6 | 10 | 103-21 | HHCS, 1/2" -20 x 1-1/2" GR 5 Zn |
| 7 | 16 | 103-88 | Carriage Bolt 3/8"-16 x 1" |
| 8 | 4 | 108-15 | Washer, .42x.81x.05 Zn |
| 9 | 6 | 108-26 | Washer, .43x1.02x.09 Zn |
| 10 | 4 | 108-35 | Washer, .53x1.06x.09 Zn |
| 11 | 2 | 108-53 | Washer, .81x.5x.12 Zn |
| 12 | 1 | 112-13 | HHCS, 3/4"-10 x 5.5 GR 5 Zn |
| 13 | 3 | 112-80 | Eye Bolt, Welded 3/8"-16 Plated |
| 14 | 18 | 117-29 | Locknut, Nylon 3/8"-16 Zn |
| 15 | 10 | 117-57 | Locknut, Nylon 1/2"-20 Zn |
| 16 | 1 | 117-58 | Locknut, Nylon 3/4"-10 Zn |
| 17 | 2 | 127-82 | Spring, Extension - Painted |
| 18 | 4 | 657-54 | Bushing |
| 19 | 2 | 657-59 | Shoe |
| 20 | 2 | 657-105 | Bracket, Centaur Snowplow |
| 21 | 2 | 117-15 | Nut, Hex Fin 3/8" - 16 Zn |
| 22 | 1 | 657-16 | Plate, Spring Stop |
| 23 | 2 | 103-25 | PHMS, 10 - 24 x 3/4 Zn |
| 24 | 2 | 120-05 | Washer, .19 x .50 x .04 Zn |
| 25 | 2 | 117-10 | Locknut, Nylon 10 - 24 Zn |
| 26 | 1 | 657-15 | Block, Adjustment Pin |
| 27 | 1 | 125-78 | Spring, Comp. 0.66 x 1.92 |

14.0 Accessories

848-121 Four Point Lift Assembly



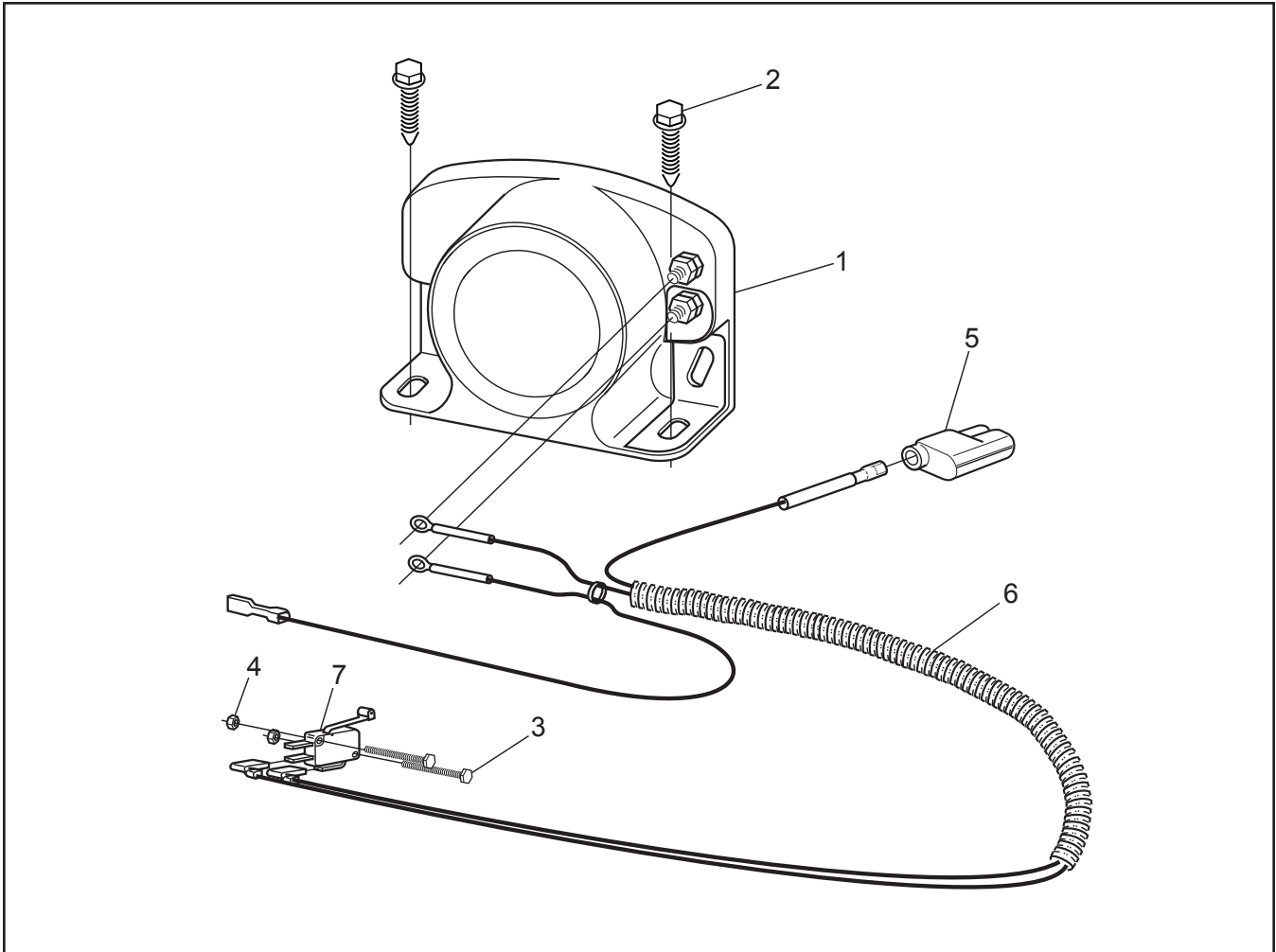
| Ref. | Qty. | Part # | Description |
|------|------|---------|-----------------------------|
| 1 | 12 | 103-21 | HHCS, 1/2-20 x 1-1/4" |
| 2 | 12 | 117-57 | Locknut, Nylon 1/2" - 20 Zn |
| 3 | 2 | 848-119 | Plate, Rear Lift - Centaur |
| 4 | 2 | 848-120 | Plate, Front Lift - Centaur |



| Ref. | Qty. | Part # | Description |
|------|------|-------------------|---|
| 1 | 8 | 127-115 | Tire & Rim ASM - Multi Trac XT (incl. Ref. 1a & 1b) |
| 1a | | 127-113 | Rim -12x9.5x2.25 Offset-Black |
| 1b | | 127-114 | Tire, Multi-Trac XT 24x12-12 |
| 2 | 4 | 849-151 | Track, Rubber - Centaur Mud |
| 3 | 140 | 849-153 | Guide ASM - Tracks - Cent- Welded |
| 4 | 140 | 849-156 | Plate - Backing, Tracks-Cent |
| 5 | 1 | 849-150HDW | Hardware Kit, All Season Tracks Consists of: |
| 6 | 450 | 112-115 | Locknut, Nylon M6X1 Zn |
| 7 | 450 | 112-97 | HHCS, M6 x 1 x 25mm Zn |

14.0 Accessories

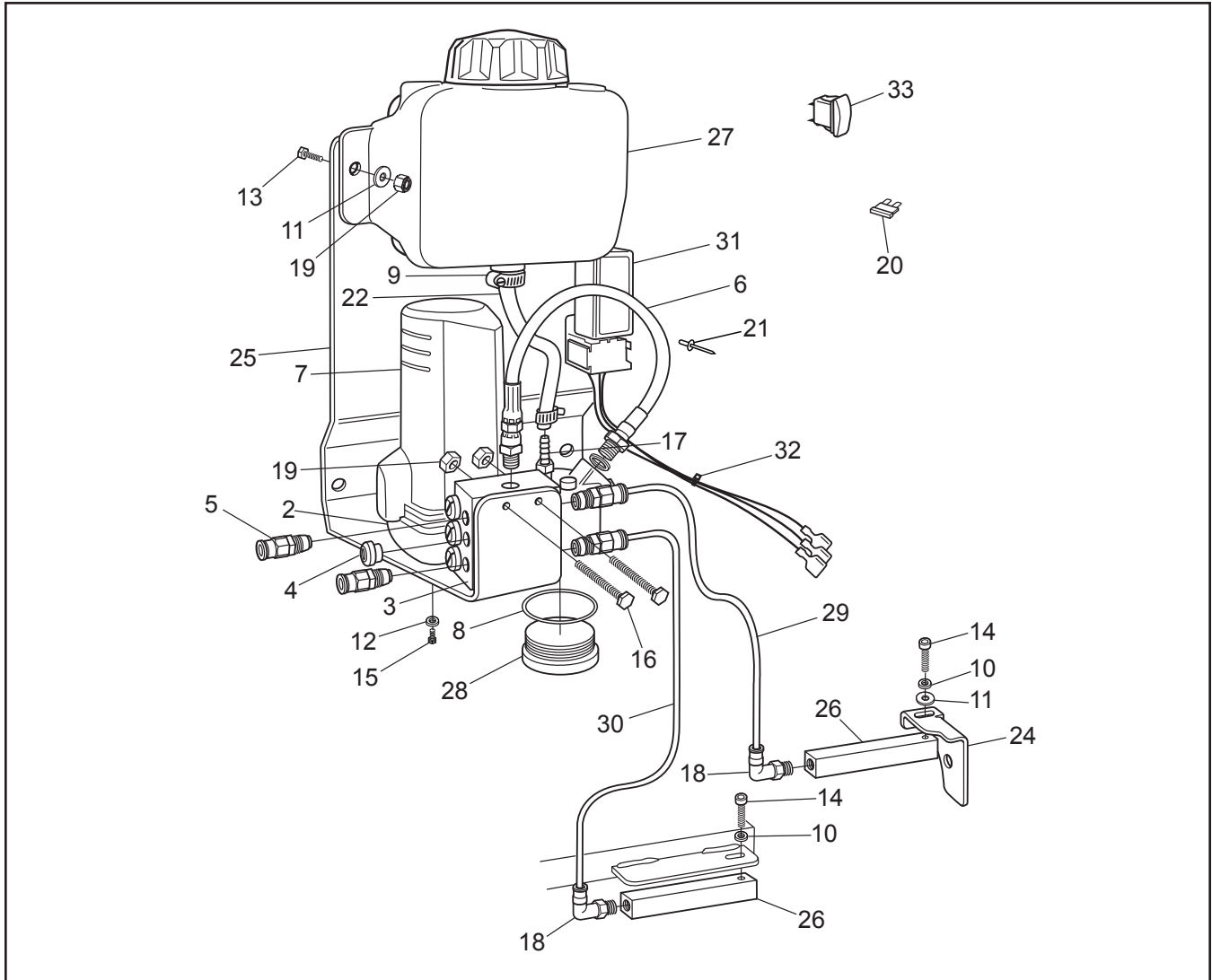
850-99 Reverse Beeper



| Ref. | Qty. | Part # | Description |
|------|------|---------|--|
| 1 | 1 | 848-126 | Alarm, Back-up |
| 2 | 2 | 112-102 | Screw, Self-Drill 12-14 x 3/4" |
| 3 | 2 | 112-126 | HHCS M3x0,5x30 CL 8.8 Zn |
| 3a | 2 | 112-172 | SHCS 5-40x3/4 Zn (required for HDi mounting of micro switch) |
| 4 | 2 | 117-78 | Locknut, Nylon M3x 0.5" Zn |
| 4a | 2 | 112-173 | Locknut, #5-40, Zn (required for HDi mounting of micro switch) |
| 5 | 1 | 118-04 | Connector, T-Tap 14-18 Awg |
| 6 | 1 | 613-113 | Wire Harness, Back-up Alarm |
| 7 | 1 | 809-202 | Switch, Limit - Two Pole |

850-228 Auto Lube System

14.0 Accessories

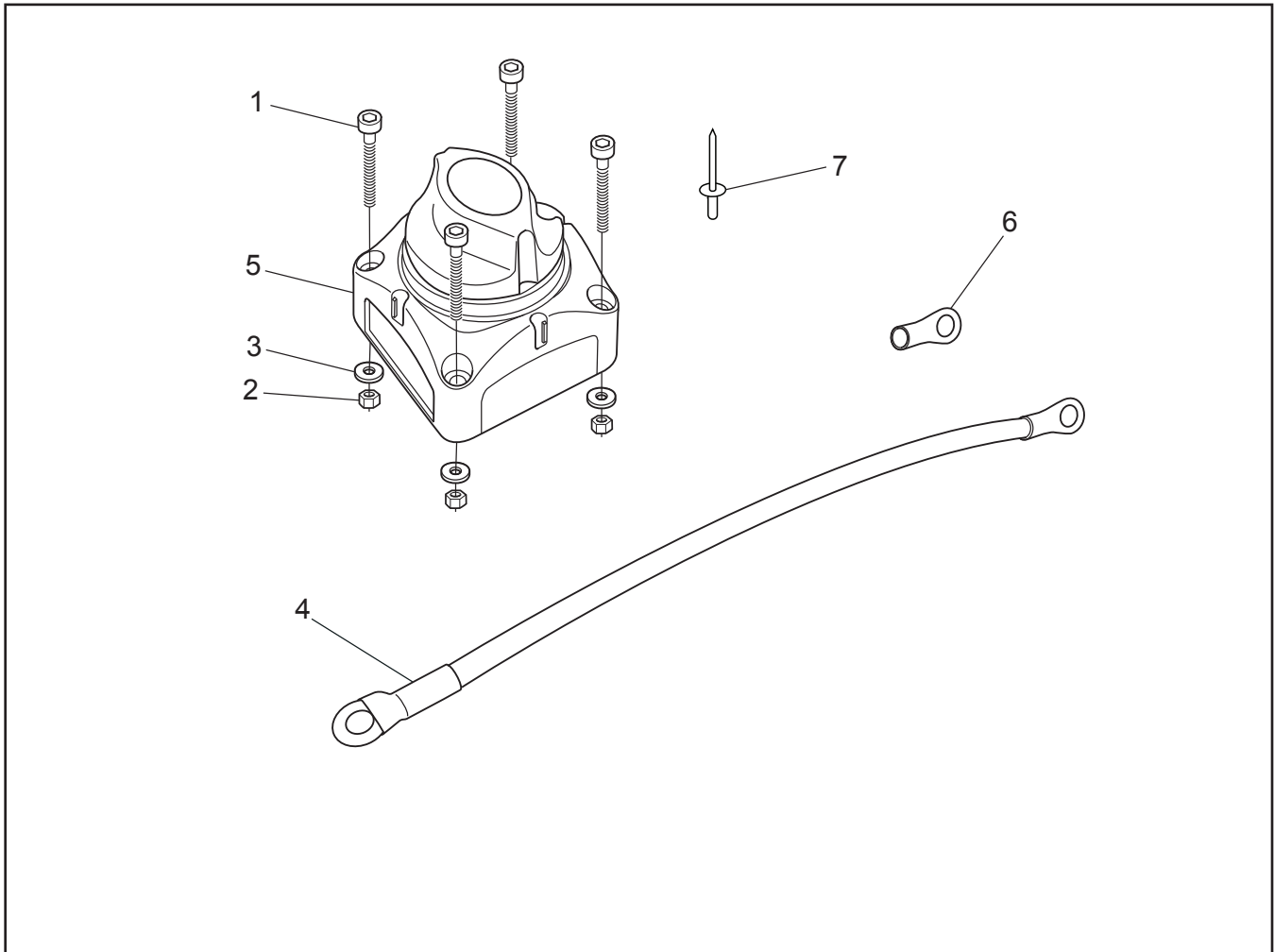


| Ref. | Qty. | Part # | Description |
|------|------|---------|-----------------------------------|
| 1 | 1 | 850-214 | Kit, Chain Oiler Purch Comp. |
| 2 | 1 | 850-201 | Pump, Oil System Lincoln 12V |
| 3 | 1 | 850-202 | Valve, Oil System Diverter |
| 4 | 2 | 850-203 | Plug, Valve Diverter |
| 5 | 4 | 850-204 | Adapter, Outlet 1/4" W/CHK |
| 6 | 1 | 850-205 | Hose, Oil Pump Outlet 12" |
| 7 | 1 | 850-210 | Cover, Oil Pump Motor |
| 8 | 1 | 850-211 | Seal, Oil Pump Cap |
| 9 | 2 | 100-101 | Clamp, Gear 1/2" HF4 or MH-4 |
| 10 | 4 | 108-03 | Lockwasher 1/4 Split Ring Zn |
| 11 | 4 | 108-08 | Washer .28 x .62 x .07 Zn |
| 12 | 4 | 108-100 | Lockwasher, #10 Split-Ring Zn |
| 13 | 2 | 112-04 | HHCS 1/4-20 x 3/4 Gr5 Zn |
| 14 | 4 | 112-47 | SHCS 1/4-20 x 1.0 Zn |
| 15 | 4 | 112-95 | HHCS M5 x 0,8 x 10mm Zn |
| 16 | 2 | 112-202 | HHCS 1/4-20 x 1.75 Gr5 Zn |
| 17 | 1 | 113-20 | Fitting, 1/8 Npt x 1/4 Barb |
| 18 | 4 | 113-21 | Fitting, 1/8 x 90 Male Push Conn. |
| 19 | 4 | 117-27 | Locknut, Nylon 1/4-20 Zn |

| Ref. | Qty. | Part # | Description |
|------|------|-----------|---|
| 20 | 1 | 118-52 | Fuse, 10A 2-Prong (ATC010) |
| 21 | 1 | 120-13 | Rivet - 3/16 x 3/4 Black |
| 22 | 1 | 127-160-7 | Hose, 1/4 ID x 3/8 OD - 7" Long |
| 23 | 1 | 850-197 | Bracket, Oil Applicator Front LH XT (not shown) |
| 24 | 1 | 850-222 | Bracket, Oil Applicator Front RH XT |
| 25 | 1 | 850-226 | Bracket, Oil System Pump Res. XT |
| 26 | 4 | 850-198 | Tube, Oiler XT |
| 27 | 1 | 850-196 | Reservoir 1 Qt. |
| 28 | 1 | 850-200 | Plug, Oil Pump Threaded |
| 29 | 2 | 850-206-5 | Tubing, 1/4 OD Oil - 5 ft. |
| 30 | 2 | 850-206-9 | Tubing, 1/4 OD Oil - 9 ft. |
| 31 | 1 | 850-207 | Timer, Oil System |
| 32 | 1 | 850-220 | Harness, Oil System XT |
| 33 | 1 | 850-209 | Switch, Oil System Momentary |
| 34 | 1 | 850-221 | Harness, Oil System Pump (not shown) |

14.0 Accessories

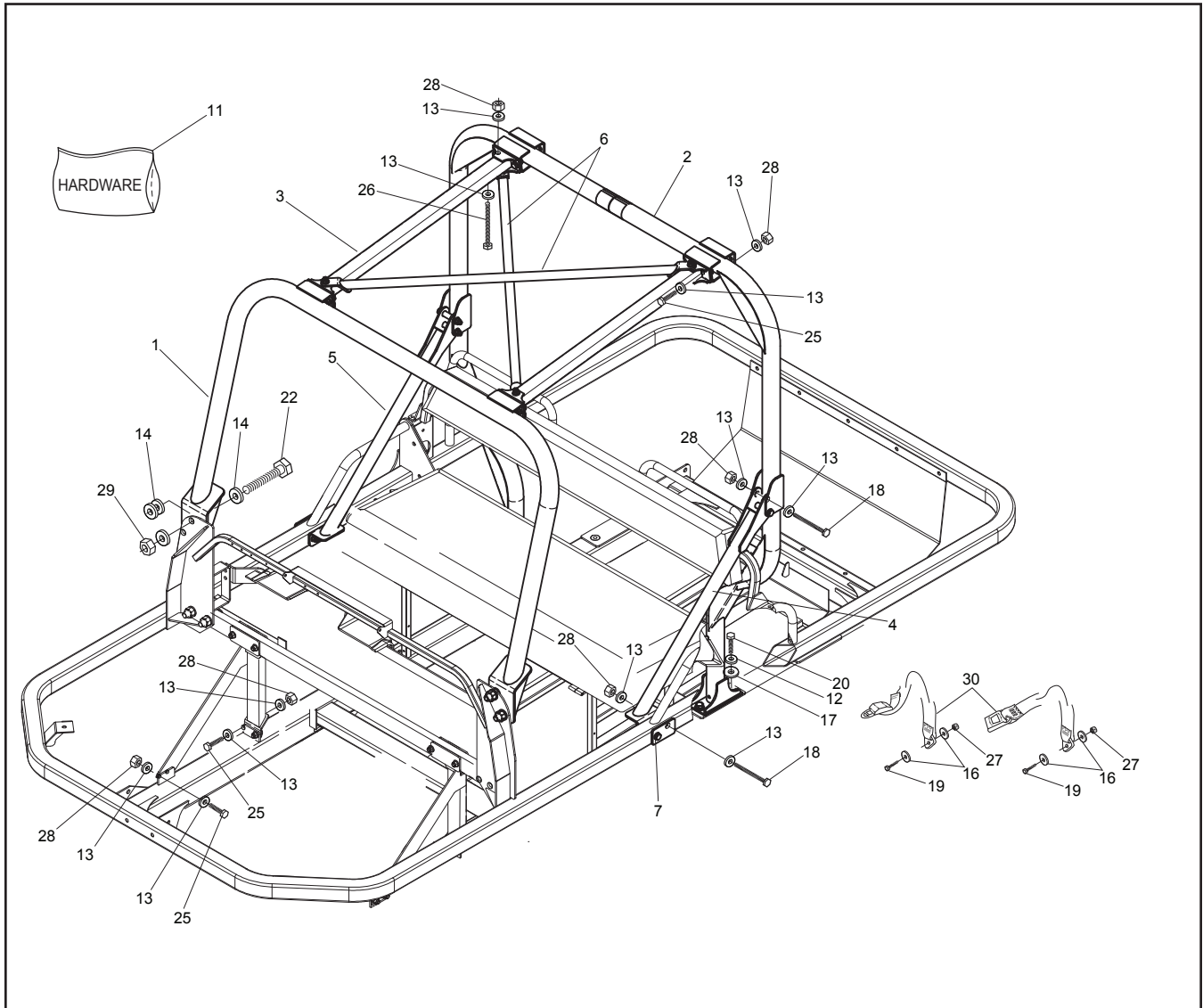
850-242 Battery Shut Off Switch



| Ref. | Qty. | Part # | Description |
|------|------|---------|--------------------------------|
| 1 | 4 | 112-195 | SHCS 8-32 x 1.5 Stainless |
| 2 | 4 | 117-43 | Locknut #8-32 |
| 3 | 17 | 120-04 | Washer .19x.50x.08 Zn |
| 4 | 1 | 613-209 | Wire Harness, Battery Shut Off |
| 5 | 1 | 613-210 | Switch, Battery Shut Off |
| 6 | 1 | 613-211 | Terminal, 3/8" Ring 6 Ga |
| 7 | 12 | 120-09 | Rivet - 3/16 x 1.0 Black |

956-15 (2) Person ROPS

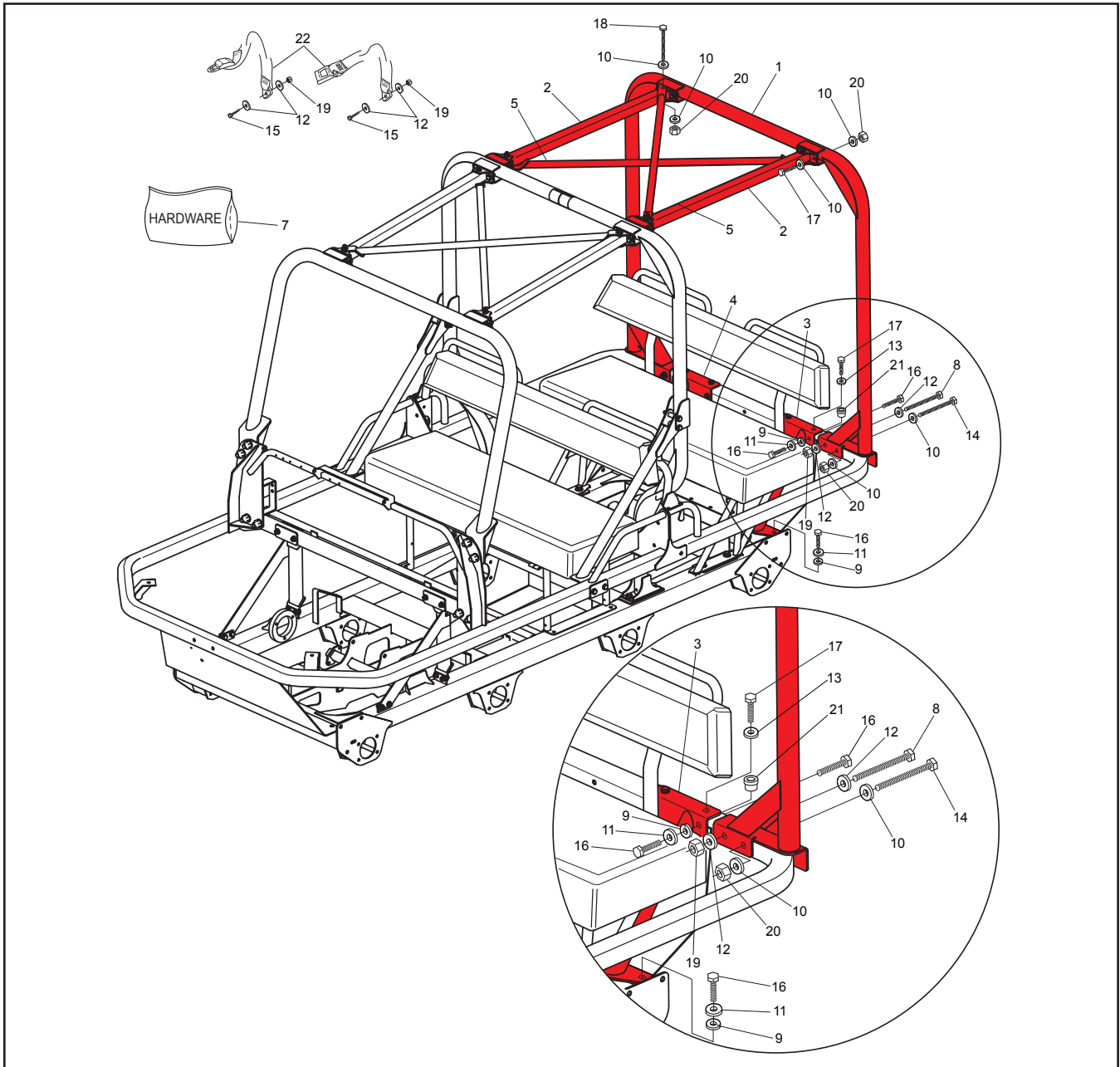
14.0 Accessories



| Ref. | Qty. | Part # | Description | Ref. | Qty. | Part # | Description |
|-----------|----------|------------------|------------------------------------|------|------|---------|------------------------------|
| 1 | 1 | 956-01 | ROPS Hoop, Fwd, XT | 18 | 8 | 112-120 | HHCS M10x1,5x80mm Zn |
| 2 | 1 | 956-02 | ROPS Hoop, Mid, XT | 19 | 3 | 112-229 | HHCS 7/16-20x1.25" Lg Gr5 |
| 3 | 2 | 956-07 | Brace, Fwd ROPS | 20 | 4 | 112-189 | HHCS 1/2-13x1.25 Gr5 Zn |
| 4 | 1 | 956-09 | Strut, ROPS Side, LH | 22 | 4 | 112-208 | HHCS, M16x2x50mm |
| 5 | 1 | 956-10 | Strut, ROPS Side, RH | 23 | 4 | 112-210 | HHCS, 7/16-20 x 0.75 |
| 6 | 2 | 956-11 | Crossbrace, ROPS, Top | 25 | 8 | 112-93 | HHCS M10x1,5x25mm |
| 7 | 2 | 957-41 | Plate, ROPS Brace, Mount | 26 | 4 | 112-94 | HHCS, M10 x 1, 5 x 70mm Zn |
| 11 | 1 | 956-15HDW | Hardware, 2-Person ROPS, XT | 27 | 3 | 117-32 | Locknut, Nylon 7/16-20 Zn |
| 12 | 4 | 108-107 | Lockwasher 1/2" High Alloy | 28 | 20 | 117-60 | Locknut, Nyloc M10x1.5mm Zn |
| 13 | 40 | 108-101 | Washer, 10mm, DIN125A | 29 | 4 | 117-76 | Locknut, Nylon M16x2,0 Zn |
| 14 | 16 | 108-102 | Washer, 16mm, DIN125A | 30 | 2 | 848-56 | Seat Belt Assembly C/W Label |
| 15 | 4 | 108-27 | Lockwasher 7/16 Split-Ring Zn | | | | |
| 16 | 6 | 108-34 | Washer .47x.94x.06 Zn | | | | |
| 17 | 4 | 108-35 | Washer .53x1.06x.09 Zn | | | | |

14.0 Accessories

956-16 (4) Person ROPS

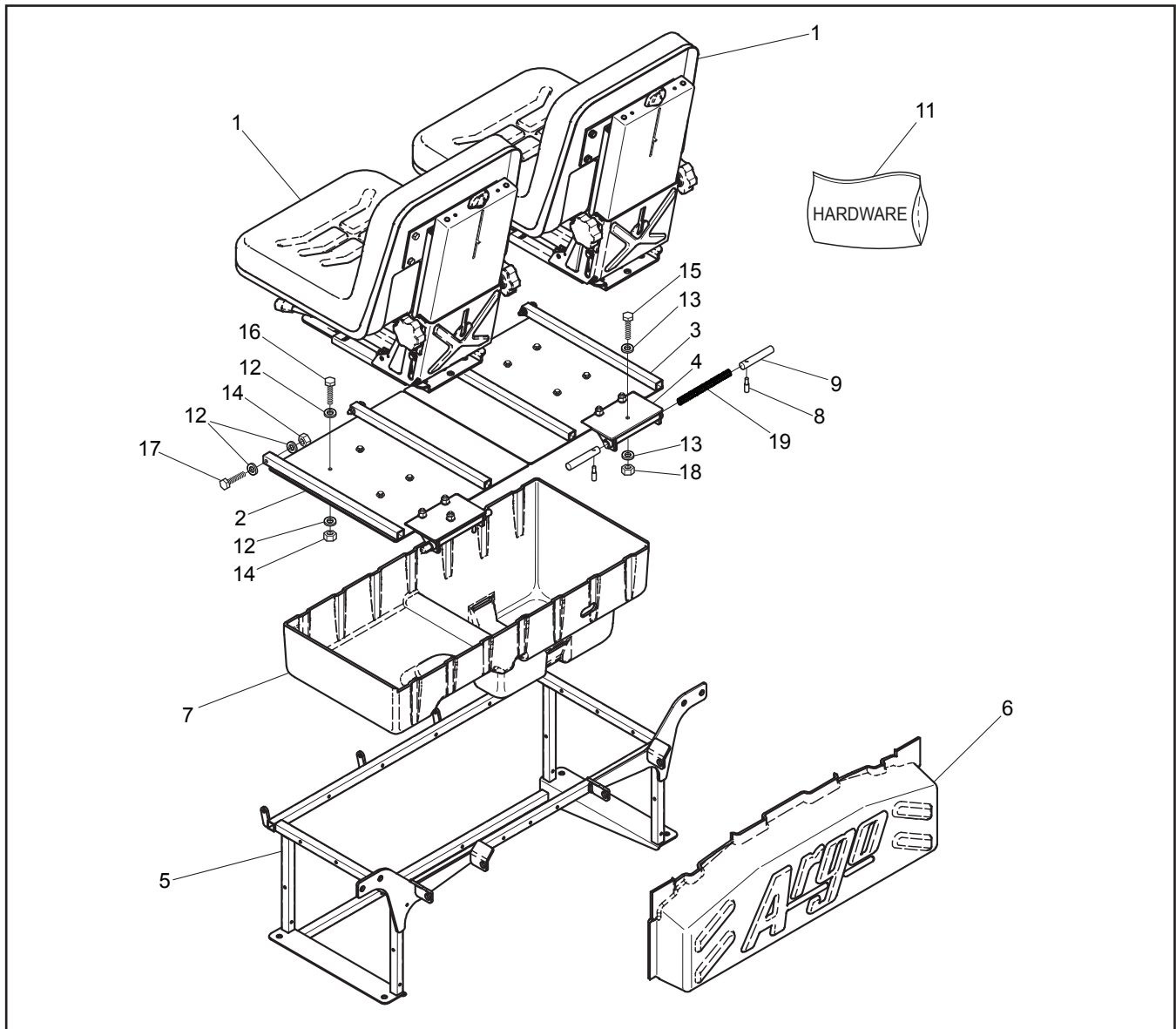


| Ref. | Qty. | Part # | Description |
|------|------|------------------|-------------------------------------|
| 1 | 1 | 956-03 | Rops Hoop, Rear, XTI |
| 2 | 2 | 956-08 | Brace, Rear Rops |
| 3 | 1 | 956-12 | Rops Support, Rear, LH |
| 4 | 1 | 956-13 | Rops Support, Rear, RH |
| 5 | 2 | 956-14 | Crossbrace, Rops, Rear |
| 7 | 1 | 956-16HDW | Hardware, 4-Person ROPS, XTI |
| 8 | 2 | 103-74 | HHCS 7/16-20x3.25 Gr5 Zn |
| 9 | 8 | 108-05 | Lockwasher 5/16 Split-Ring Zn |
| 10 | 28 | 108-101 | Washer, 10mm, Din 125A |
| 11 | 8 | 108-24 | Washer .34x.70x.06 Zn |
| 12 | 8 | 108-34 | Washer .47x.94x.06 Zn |

| Ref. | Qty. | Part # | Description |
|------|------|---------|------------------------------|
| 13 | 4 | 108-67 | Lockwasher M10 Split-Ring Zn |
| 14 | 2 | 112-120 | HHCS M10x1,5x80mm Zn |
| 15 | 2 | 112-150 | HHCS 7/16-20x1.5" Lg Gr5 |
| 16 | 8 | 112-63 | HHCS M8x1,25x35mm Gr5 Zn |
| 17 | 12 | 112-93 | HHCS M10x1,5x25mm |
| 18 | 4 | 112-94 | HHCS, M10x1,5x70mm |
| 19 | 4 | 117-32 | Locknut, Nylon 7/16-20 Zn |
| 20 | 14 | 117-60 | Locknut, Nyloc M10x1.5mm Zn |
| 21 | 4 | 117-70 | Insert, M10x1.5-13.5mm OD |
| 22 | 2 | 848-56 | Seat Belt Assembly C/W Label |

958-69 Suspension Seat - XT

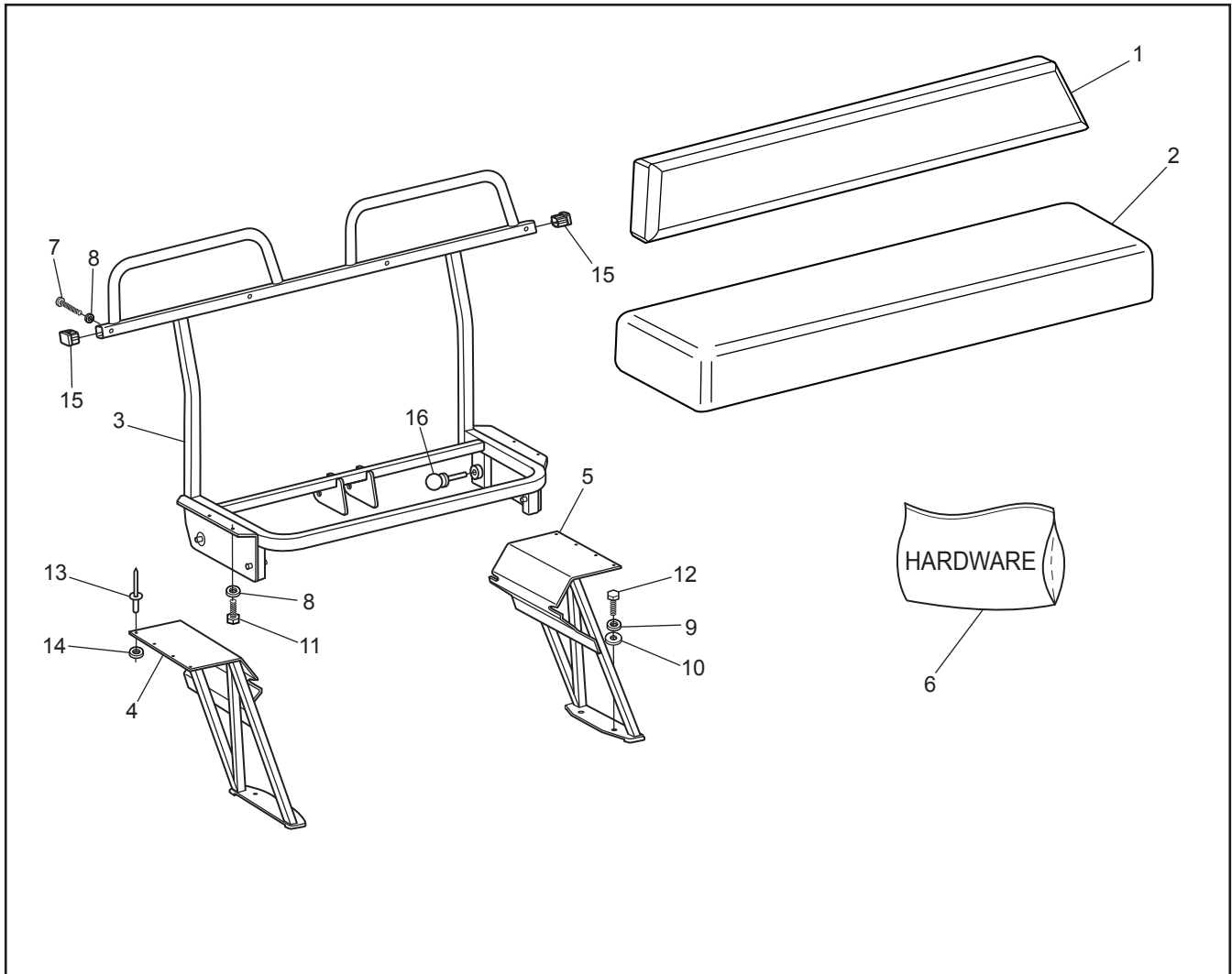
14.0 Accessories



| Ref. | Qty. | Part # | Description | Ref. | Qty. | Part # | Description |
|-----------|----------|------------------|--------------------------------------|------|------|---------|-------------------------------|
| 1 | 2 | 608-100 | Seat, Suspension | 15 | 6 | 112-20 | HHCS M8x1,25x25mm Zn |
| 2 | 1 | 950-18 | Ass'y, Seat Base-LH | 16 | 8 | 112-97 | HHCS M6x1,0x25mm Zn |
| 3 | 1 | 950-19 | Ass'y, Seat Base-RH | 17 | 4 | 112-98 | HHCS M6x1x40mm Zn |
| 4 | 2 | 950-20 | Wldt, Susp. Seat Latch, XT | 18 | 6 | 117-77 | Locknut, Nylon - M8x1,25mm Zn |
| 5 | 1 | 950-21 | Seat Frame, Suspension | 19 | 2 | 127-277 | Spring, Comp 4x0.5x0.054, Ss |
| 6 | 1 | 951-16 | Cover, Susp. Seat Fuel, XT | | | | |
| 7 | 1 | 951-17 | Toolbox, XT - Susp. Seat | | | | |
| 8 | 4 | 953-35 | Grip, Susp. Seat Latch, XT | | | | |
| 9 | 4 | 953-36 | Pin, Seat Lock | | | | |
| 11 | 1 | 958-69HDW | Hardware, Suspension Seat, XT | | | | |
| 12 | 24 | 108-08 | Washer .28x.62x.07 Zn | | | | |
| 13 | 6 | 108-24 | Washer .34x.70x.06 Zn | | | | |
| 14 | 12 | 112-115 | Locknut, Nylon M6x1 Zn | | | | |

14.0 Accessories

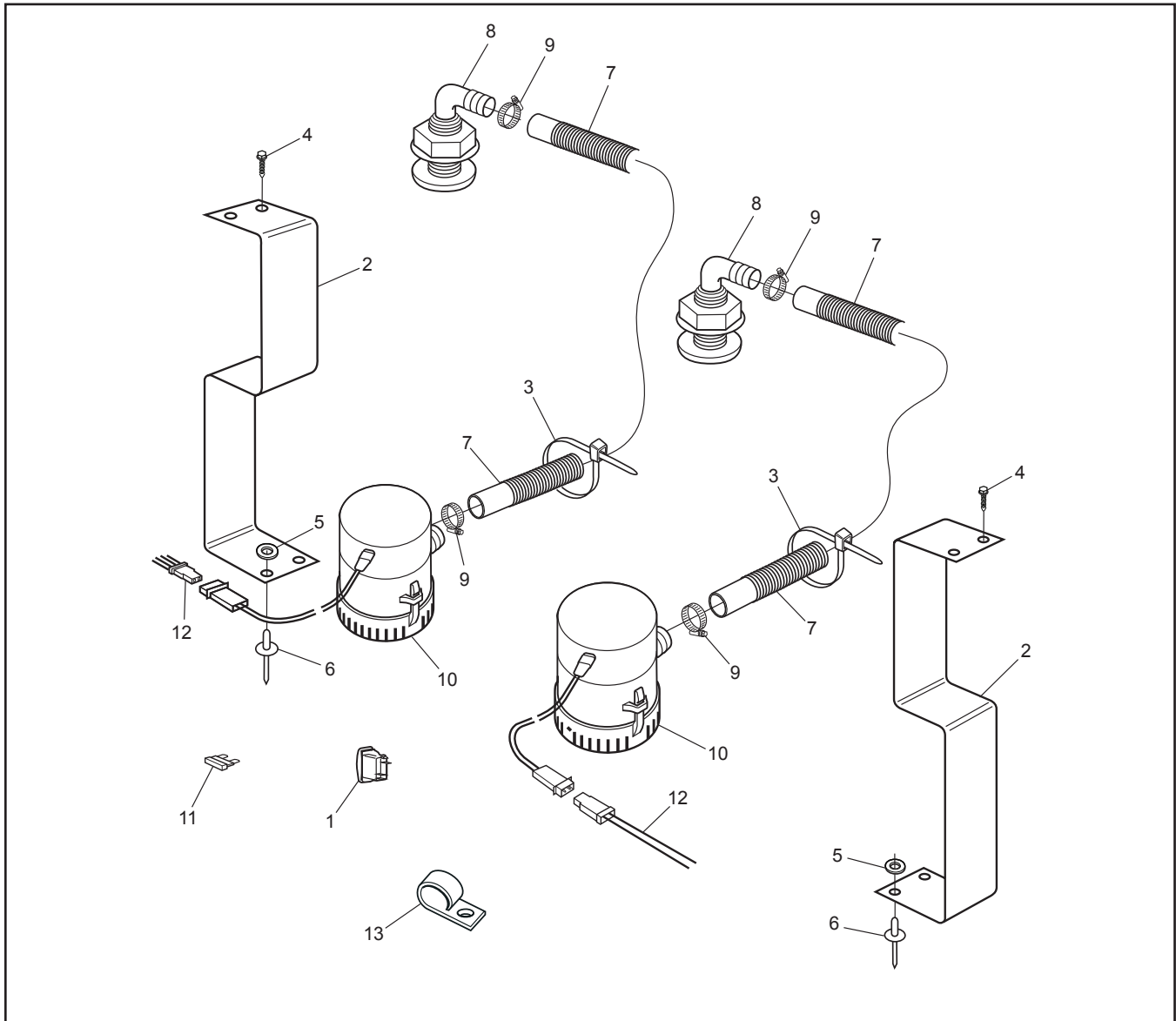
958-70 Rear Bench Seat



| Ref. | Qty. | Part # | Description |
|----------|----------|------------------|---------------------------------|
| 1 | 1 | 608-39 | Backpad Asm - Black |
| 2 | 1 | 608-88 | Seat Asm, Bench - Thick |
| 3 | 1 | 950-15 | WLDT, Rear Bench, XT |
| 4 | 1 | 950-16 | WLDT, RH Rear Support, XT |
| 5 | 1 | 950-17 | WLDT, LH Rear Support, XT |
| 6 | 1 | 958-70HDW | HDW, Rear Bench Seat, XT |
| 7 | 4 | 103-03 | PHMS 1/4-20 x 1.50 Zn |
| 8 | 8 | 108-03 | Lockwasher 1/4 Split Ring Zn |
| 9 | 4 | 108-107 | Lockwasher 1/2" High Alloy |
| 10 | 4 | 108-35 | Washer .53x1.06x.09 Zn |
| 11 | 4 | 112-04 | HHCS 1/4-20x3/4 Gr5 Zn |
| 12 | 4 | 112-211 | HHCS 1/2-13x0.75 Gr5 Zn |
| 13 | 8 | 120-09 | Rivet - 3/16 x 1.0 Black |
| 14 | 8 | 120-04 | Washer .19x.50x.08 Zn |
| 15 | 2 | 127-282 | Plug, 1" Sq. Tube |
| 16 | 2 | 104-70 | Pin, 3/8", Weld-in, Spring Ld |

958-71 Bilge Pump Assembly

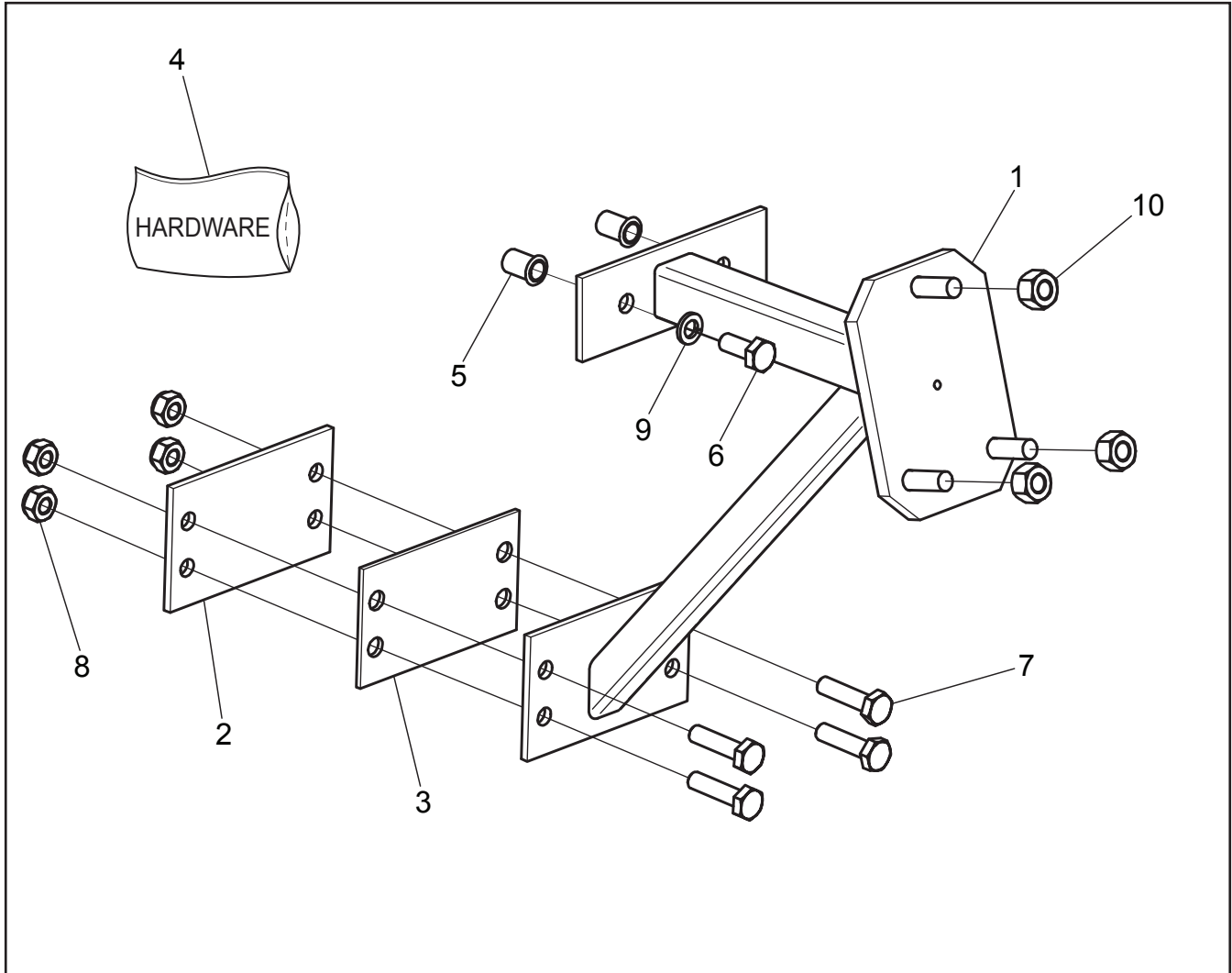
14.0 Accessories



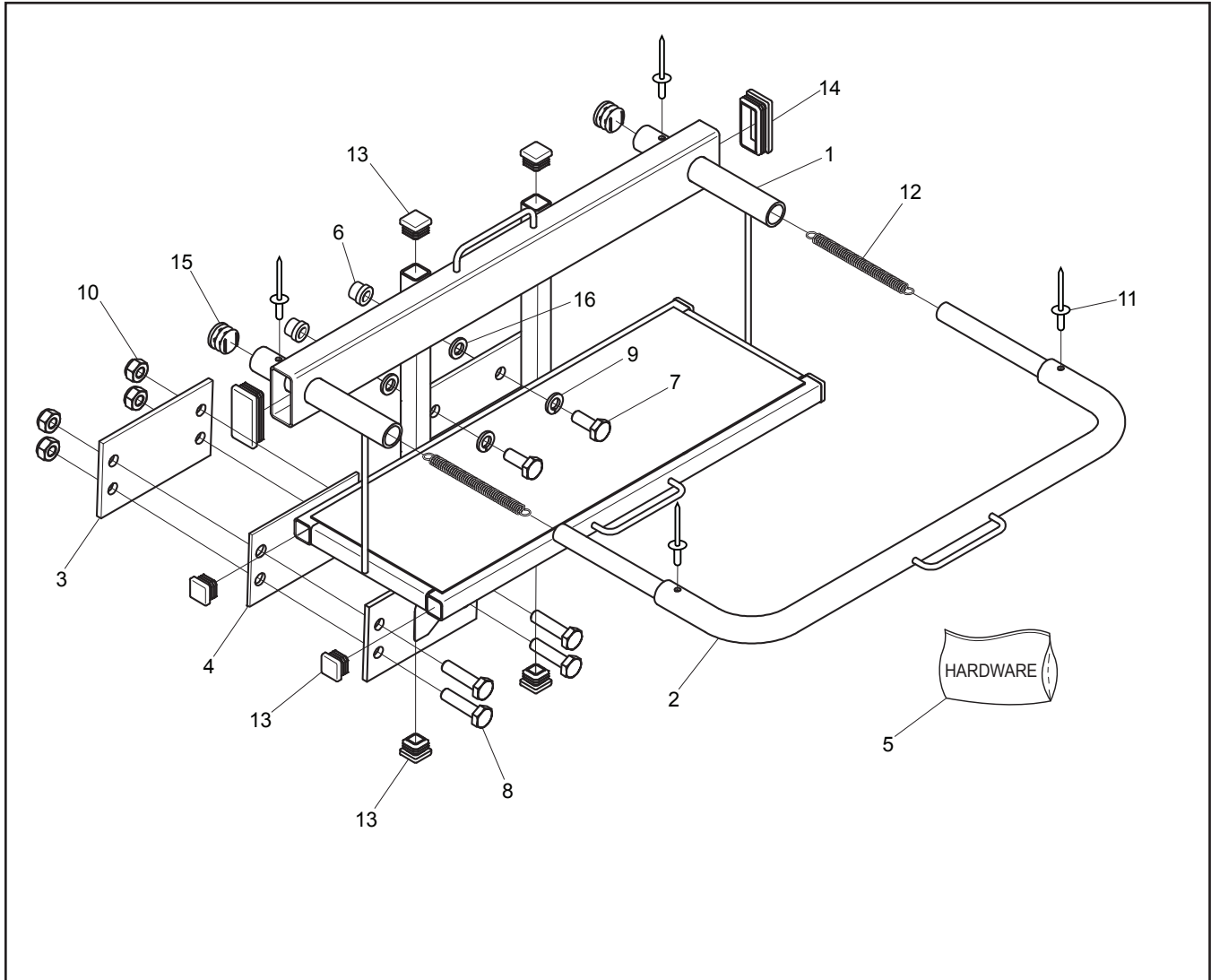
| Ref. | Qty. | Part # | Description |
|------|------|---------|-------------------------------------|
| 1 | 1 | 613-154 | Switch, Bilge Pump |
| 2 | 2 | 849-144 | Bracket, Bilge Pump |
| 3 | 8 | 100-102 | Tie Wrap - 14" - White |
| 4 | 6 | 112-102 | Screw, Self Drilling - 12-14 x 3/4" |
| 5 | 4 | 120-04 | Washer, 3/16" |
| 6 | 4 | 120-13 | Rivet, 3/16" x 3/4" |
| 7 | 2 | 638-05 | Flex Hose, 3/4" x 3' |
| 8 | 2 | 958-153 | Hull 3/4"W/ 90 Deg. Fitting |
| 9 | 4 | 638-16 | Gear Clamp |
| 10 | 2 | 638-18 | Bilge Pump & Wire Ass'y |
| 11 | 1 | 118-52 | Fuse, 10A 2-Prong |
| 12 | 1 | 613-200 | Wire Harness, Bilge Pump XT |
| 13 | 2 | 127-24 | Clamp, Nylon - 1" ID |

14.0 Accessories

958-75 Rear Tire Carrier



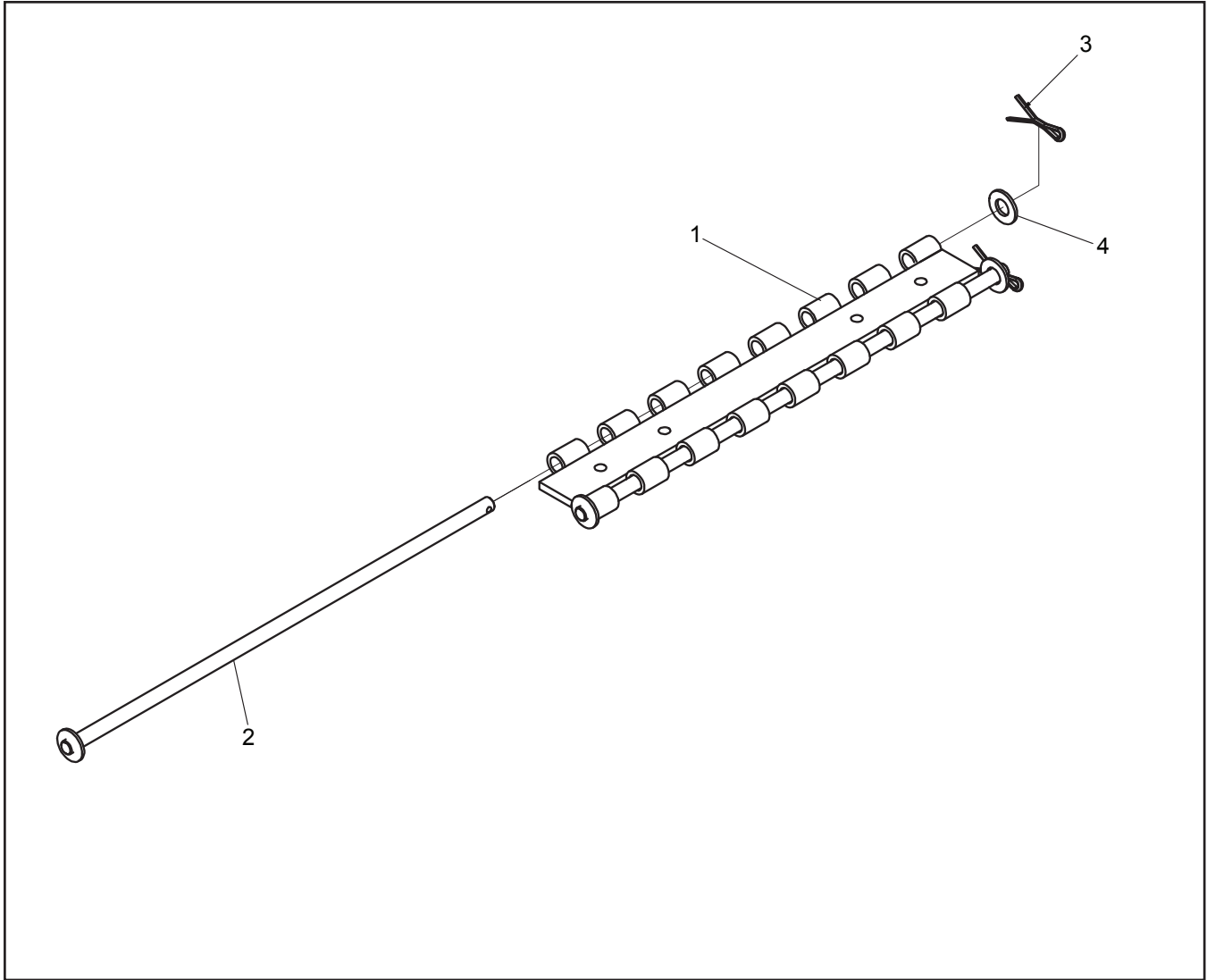
| Ref. | Qty. | Part # | Description |
|------|------|------------------|----------------------------------|
| 1 | 1 | 958-76 | Asm, Tire Carrier-XT |
| 2 | 1 | 616-18 | Plate, Hitch |
| 3 | 1 | 616-20 | Gasket, Rear Hitch |
| 4 | 1 | 958-75HDW | Hardware, Tire Carrier-XT |
| 5 | 2 | 117-70 | Insert, M10x1.5-13.5mm OD |
| 6 | 2 | 112-93 | HHCS M10x1,5x25mm |
| 7 | 4 | 112-92 | HHCS M10x1,5x40mm Zn |
| 8 | 4 | 117-60 | Locknut, Nyloc M10x1.5mm Zn |
| 9 | 2 | 108-67 | Lockwasher M10 Split-Ring Zn |
| 10 | 3 | 117-35 | Nut, Wheel 7/16-20 Zn |



| Ref. | Qty. | Part # | Description |
|------|------|------------------|--------------------------------|
| 1 | 1 | 958-81 | Asm, Can Carrier |
| 2 | 1 | 867-04 | Asm, Can Carrier - Restraint |
| 3 | 1 | 616-18 | Plate, Hitch |
| 4 | 1 | 616-20 | Gasket, Rear Hitch |
| 5 | 1 | 958-80HDW | HDW, Gas Can Carrier-XT |
| 6 | 2 | 117-70 | Insert, M10x1.5-13.5mm OD |
| 7 | 2 | 112-93 | HHCS M10x1,5x25mm |
| 8 | 4 | 112-92 | HHCS M10x1,5x40mm Zn |
| 9 | 2 | 108-67 | Lockwasher M10 Split-Ring Zn |
| 10 | 4 | 117-60 | Locknut, Nyloc M10x1.5mm Zn8 |
| 11 | 4 | 120-32 | Rivet, 3/16 x 1.075 Black |
| 12 | 2 | 127-224 | Spring, Ext. 3/8 x 4.5" |
| 13 | 8 | 867-18 | Plug, End 3/4" Tube-Black |
| 14 | 2 | 867-19 | Plug, End 1.0 x 2.0 Tube-Black |
| 15 | 2 | 867-17 | Plug, OD 7/8" ID 0.685"-Black |
| 16 | 2 | 108-47 | Washer .39x.94x13 Zn Di-Chro |

14.0 Accessories

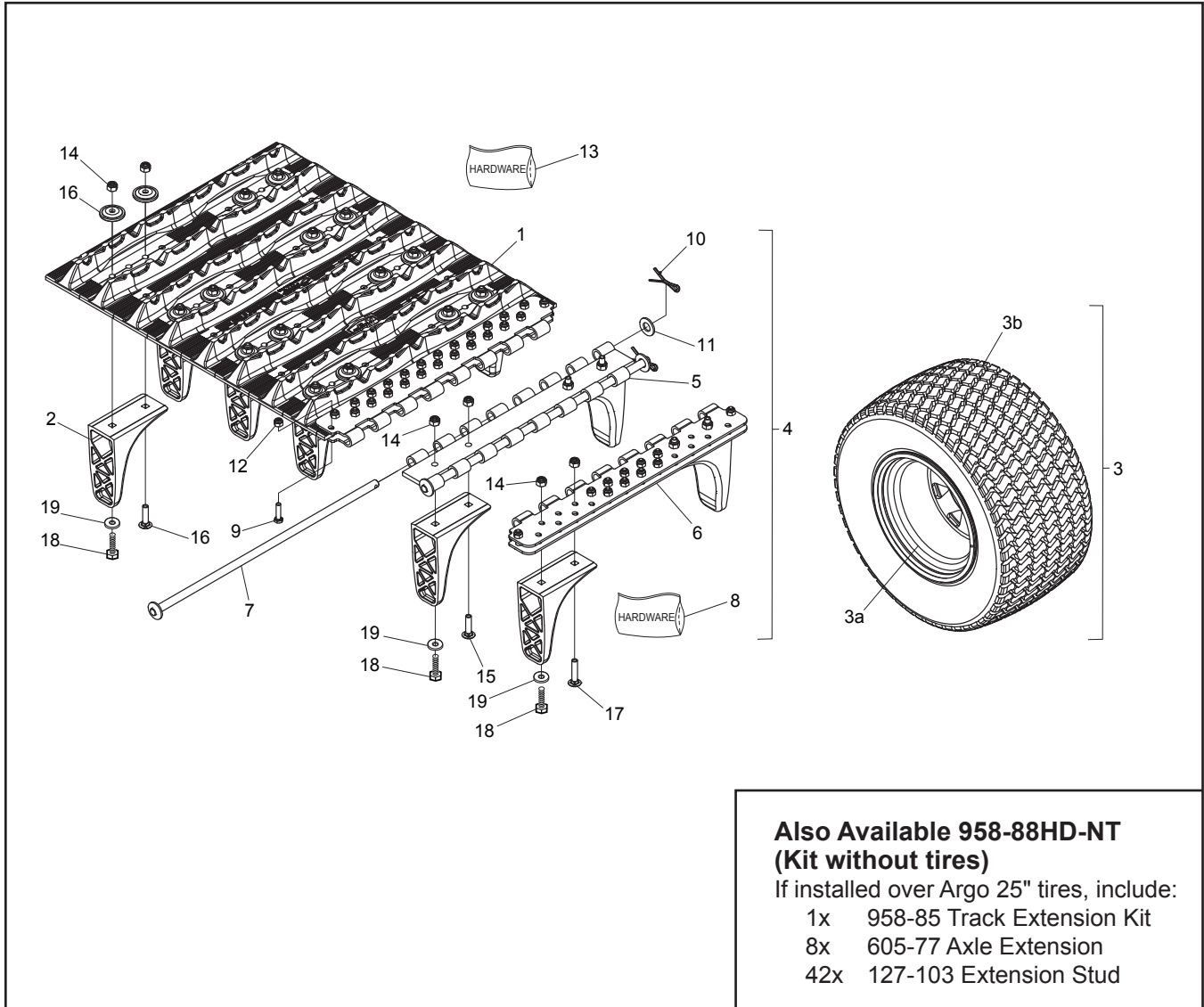
958-85 Track Extension Kit - HD



| Ref. | Qty. | Part # | Description |
|------|------|---------|--------------------------|
| 1 | 4 | 849-241 | Spacer, Track 16.5" |
| 2 | 4 | 849-247 | Rod, Hinge Asm |
| 3 | 4 | 104-71 | Pin, Cotter 3/16x1.25 Zn |
| 4 | 4 | 108-35 | Washer .53x1.06x.09 Zn |

958-88HD Track Assembly

14.0 Accessories

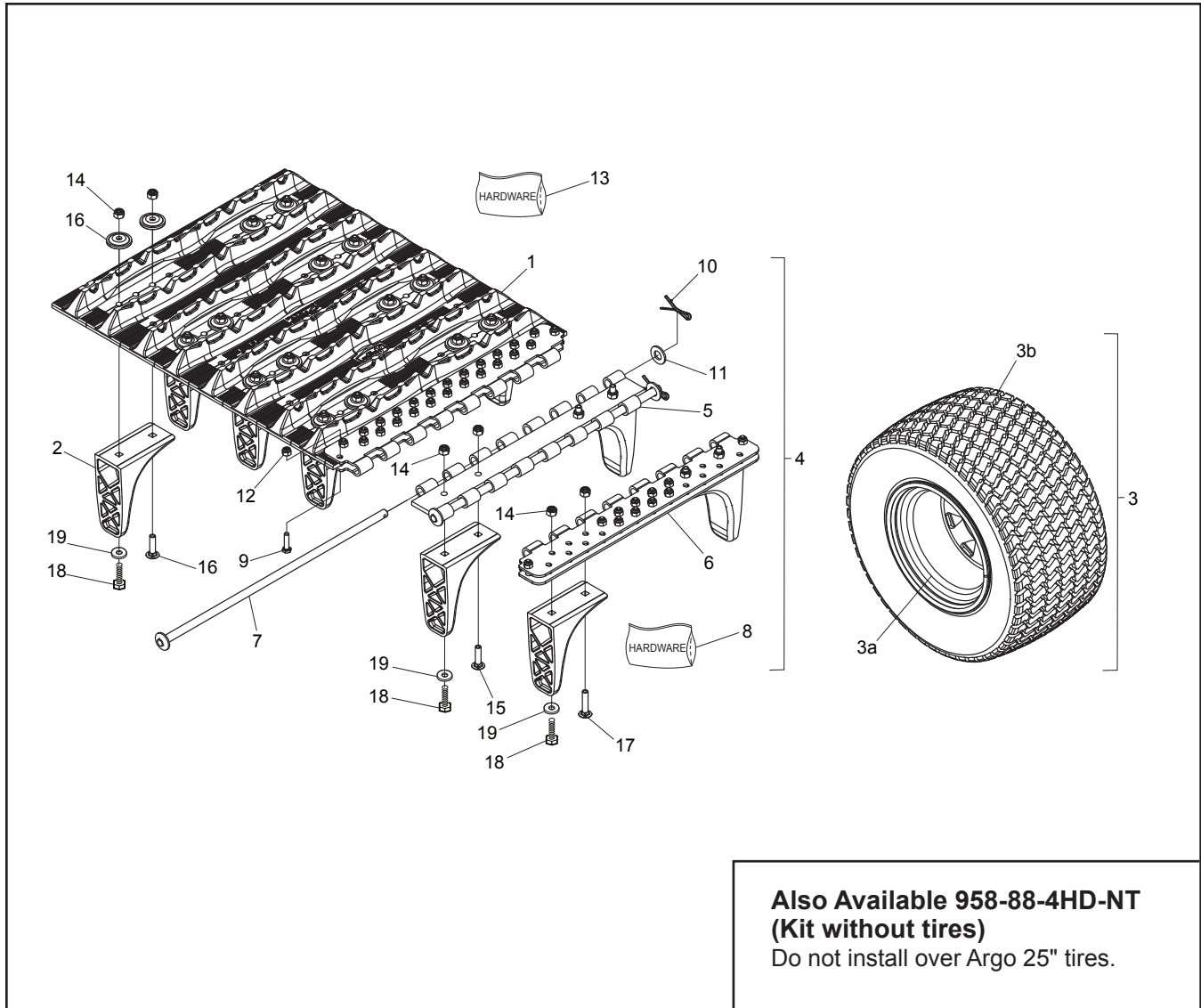


| Ref. | Qty. | Part # | Description |
|------|------|-----------|---|
| 1 | 2 | 825-51-1 | Track, Rubber - Argo |
| 2 | 180 | 825-71 | Guide, HD Track -UHMW-PE |
| 3 | 8 | 127-215 | Tire + Rim Ass'y - Multitrac XT HD (incl. Ref. 3a & 3b) |
| 3a | | 127-281 | Rim -12x9.5x2.25 Offset-Rein |
| 3b | | 127-114 | Tire, Multi-Trac XT 24x12-12 |
| 4 | 1 | 958-91 | Hinge Set & Extensions - HD, XT includes the following: |
| 5 | 2 | 849-241 | Spacer, Track Lacing |
| 6 | 4 | 849-302 | Hinge, Track, HD |
| 7 | 4 | 849-247 | Rod, Hinge Ass'y |
| 8 | 1 | 958-91HDW | Hardware Kit, Hinge Set, Tracks HD, XT includes the following: |
| 9 | 100 | 103-08 | HHCS 1/4-20 x 1.0 Zn |

| Ref. | Qty. | Part # | Description |
|------|------|--------------|--|
| 10 | 4 | 104-71 | Pin, Cotter 3/16 x 1.25 Zn |
| 11 | 4 | 108-35 | Washer .53 x 1.06 x .09 Zn |
| 12 | 100 | 117-27 | Locknut, Nylon 1/4-20 Zn |
| 13 | 1 | 958-88HD-HDW | Hardware Kit - Rubber Tracks - HD, XT includes the following: |
| 14 | 360 | 117-21 | Locknut, Nylon 5/16-18" |
| 15 | 180 | 112-155 | Bolt, Carriage |
| 16 | 360 | 108-110 | Washer, Concave 5/16 IDx1-3/8" |
| 17 | 8 | 112-11 | C/Bolt 5/16-18 x 1.5 Gr5 Zn |
| 18 | 180 | 103-38 | HHCS 5/16-18x1.25 Gr5 Zn |
| 19 | 180 | 108-113 | Washer .33x.88x.08 L9 Eco |

14.0 Accessories

958-88-4HD Track Assembly

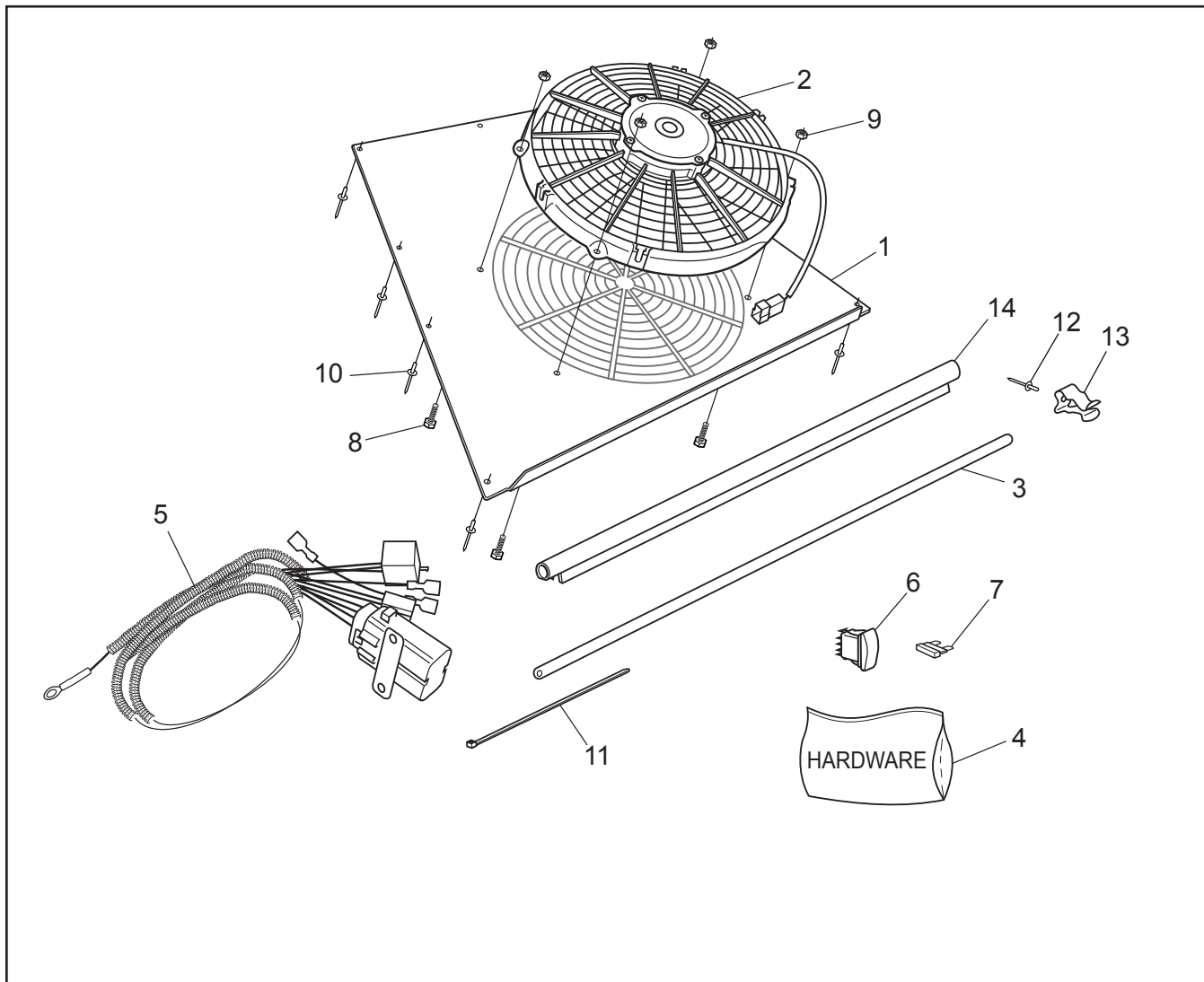


**Also Available 958-88-4HD-NT
(Kit without tires)**
Do not install over Argo 25" tires.

| Ref. | Qty. | Part # | Description | Ref. | Qty. | Part # | Description |
|----------|----------|------------------|---|-----------|----------|-----------------------|--|
| 1 | 4 | 825-51-1 | Track, Rubber - Argo | 10 | 4 | 104-71 | Pin, Cotter 3/16 x 1.25 Zn |
| 2 | 192 | 825-71 | Guide, HD Track -UHMW-PE | 11 | 4 | 108-35 | Washer .53 x 1.06 x .09 Zn |
| 3 | 8 | 127-215 | Tire + Rim Ass'y - Multitrac XT HD (incl. Ref. 3a & 3b) | 12 | 100 | 117-27 | Locknut, Nylon 1/4-20 Zn |
| 3a | | 127-281 | Rim -12x9.5x2.25 Offset-Rein | 13 | 1 | 958-88-4HD-HDW | Hardware Kit - Rubber Tracks - HD, XT includes the following: |
| 3b | | 127-114 | Tire, Multi-Trac XT 24x12-12 | 14 | 384 | 117-21 | Locknut, Nylon 5/16-18" |
| 4 | 1 | 958-92 | Hinge Set & Extensions - HD, XT includes the following: | 15 | 192 | 112-155 | Bolt, Carriage |
| 5 | 4 | 849-241 | Spacer, Track Lacing | 16 | 384 | 108-110 | Washer, Concave 5/16 ID x 1-3/8" |
| 6 | 4 | 849-302 | Hinge, Track, HD | 17 | 16 | 112-11 | C/Bolt 5/16-18 x 1.5 Gr5 Zn |
| 7 | 4 | 849-247 | Rod, Hinge Ass'y | 18 | 192 | 103-38 | HHCS 5/16-18x1.25 Gr5 Zn |
| 8 | 1 | 958-91HDW | Hardware Kit, Hinge Set, Tracks HD, XT includes the following: | 19 | 192 | 108-113 | Washer .33x.88x.08 L9 Eco |
| 9 | 100 | 103-08 | HHCS 1/4-20 x 1.0 Zn | | | | |

958-89 Hood Fan

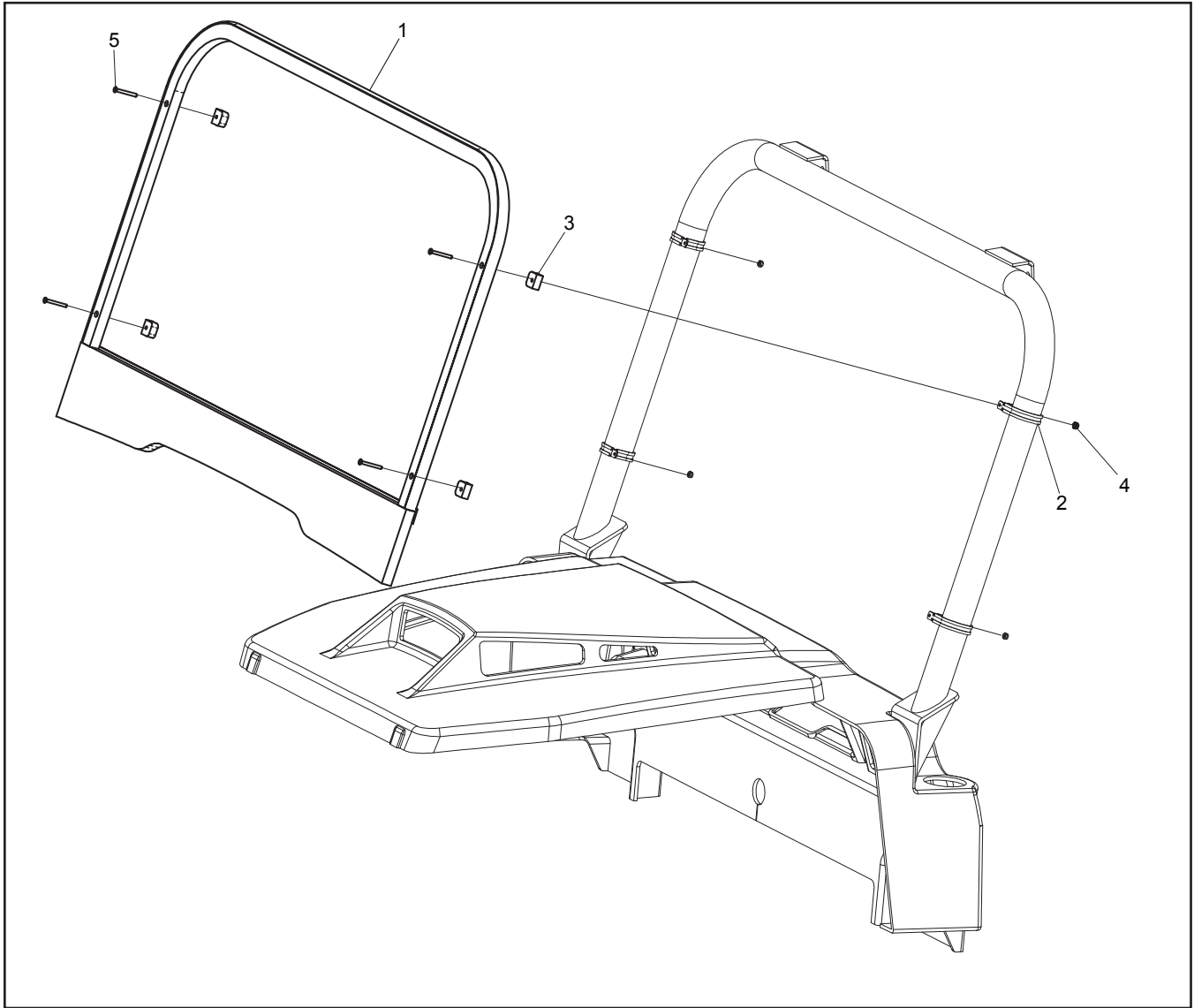
14.0 Accessories



| Ref. | Qty. | Part # | Description |
|------|------|------------------|-------------------------------------|
| 1 | 1 | 952-261 | Mount, Hood Fan II - XT |
| 2 | 1 | 953-50 | Fan, Hood - XT |
| 3 | 1 | 955-103 | Prop Rod, Hood |
| 4 | 1 | 958-89HDW | Hardware, Acc, Hood Fan - XT |
| 5 | 1 | 613-229 | Wire Harness, Relay, Hood Fan |
| 6 | 1 | 613-202 | Switch, Hood Fan |
| 7 | 1 | 118-77 | Fuse, 20A Mini |
| 8 | 4 | 112-04 | HHCS 1/4-20 x 3/4 Gr5 Zn |
| 9 | 4 | 117-82 | Locknut, Flange 1/4-20 Zn |
| 10 | 25 | 120-13 | Rivet - 3/16 x 3/4 Black |
| 11 | 2 | 100-64 | Tie Wrap - 5.5" - Black |
| 12 | 1 | 120-15 | Rivet - 1/8 x 7/16 |
| 13 | 1 | 127-285 | Retainer, Hood Prop |
| 14 | 1 | 952-165 | Seal, Hood Fan - XT |
| 15 | 2 | 120-11 | Rivet, 5/32 x .157-.472 |

14.0 Accessories

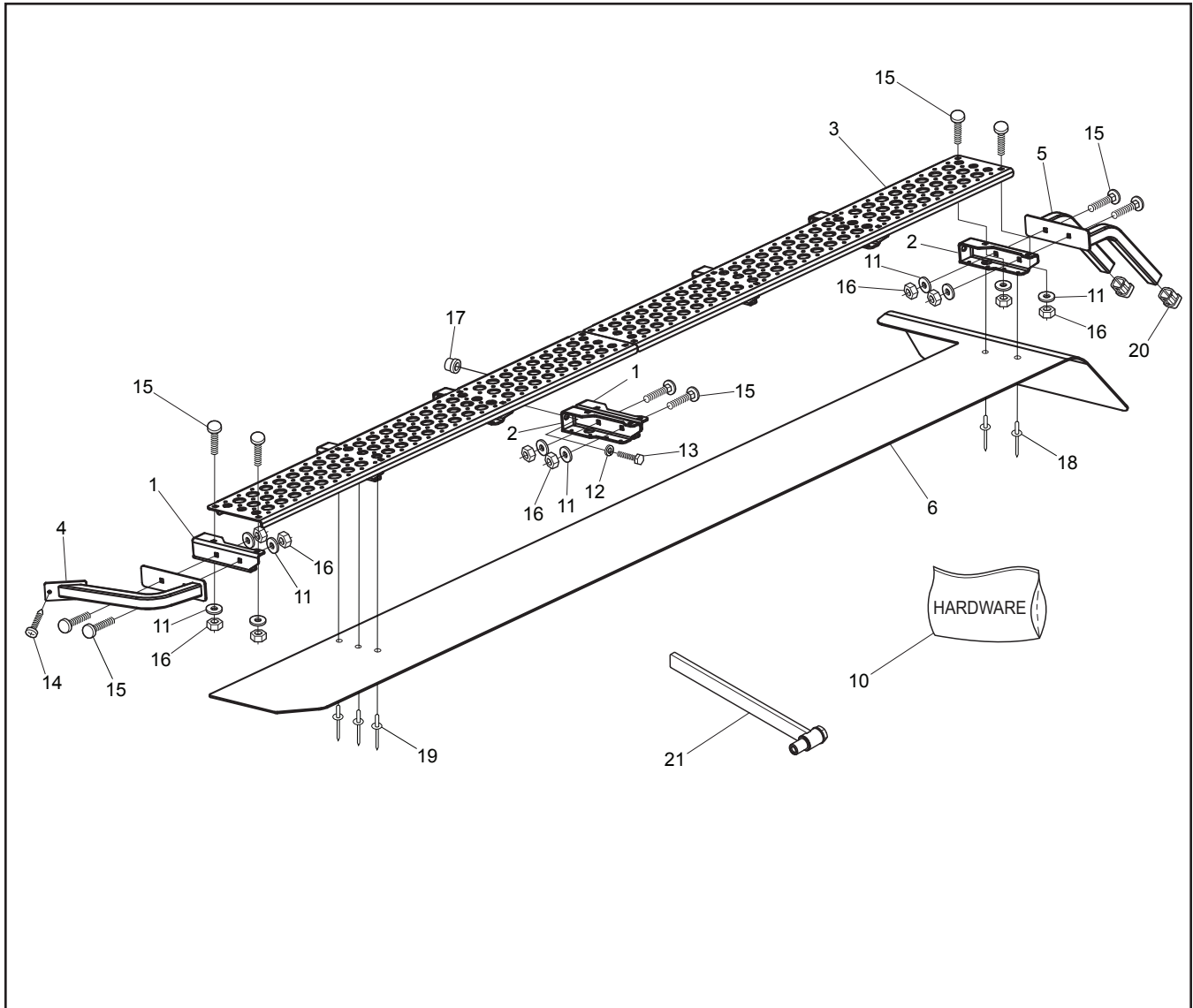
958-90 Windshield



| Ref. | Qty. | Part # | Description |
|------|------|---------|--------------------------------|
| 1 | 1 | 958-90 | Windshield Asm, XTI |
| 2 | 4 | 127-240 | Clamp, 2.0" Loop - Rubber Cush |
| 3 | 4 | 958-94 | Spacer, Windshield - XTI |
| 4 | 4 | 117-10 | Locknut, 10-24 N/I Zn |
| 5 | 4 | 112-222 | FHCS 10-24 x 1.75, Black |

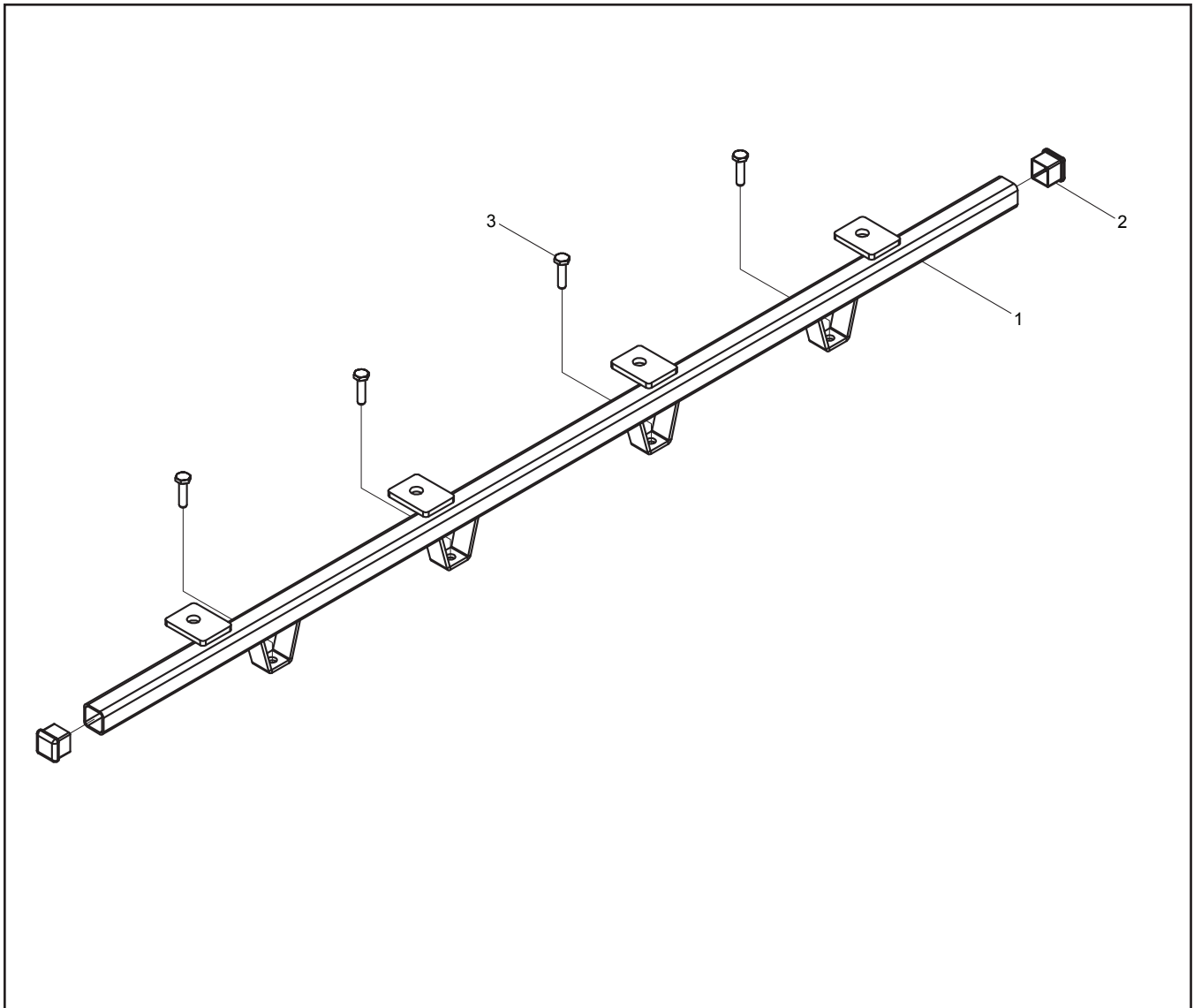
958-93 Cat Walk Mudflap

14.0 Accessories



| Ref. | Qty. | Part # | Description |
|-----------|----------|------------------|--------------------------------------|
| 1 | 8 | 952-205 | Bracket, Supt Step LH |
| 2 | 8 | 952-206 | Bracket, Supt Step RH |
| 3 | 4 | 952-207 | Step, Platform |
| 4 | 2 | 950-34 | Tube Asm, Front Step |
| 5 | 2 | 950-35 | Tube Asm, Rear Step |
| 6 | 1 | 951-19 | Mudflap, Catwalk LH |
| 7 | 1 | 951-20 | Mudflap, Catwalk RH (not shown) |
| 8 | 1 | 658-73 | Tool, Expand M10 Rivet Nut |
| 10 | 1 | 958-93HDW | Hardware, Cat Walk Mudflap XT |
| 11 | 44 | 108-24 | Washer .34x.70x.06 Zn |
| 12 | 16 | 108-67 | Lockwasher M10 Split-Ring Zn |
| 13 | 16 | 112-93 | HHCS M10x1,5x25mm |
| 14 | 2 | 112-102 | Screw, Self Drill 12-14 x 3/4" |

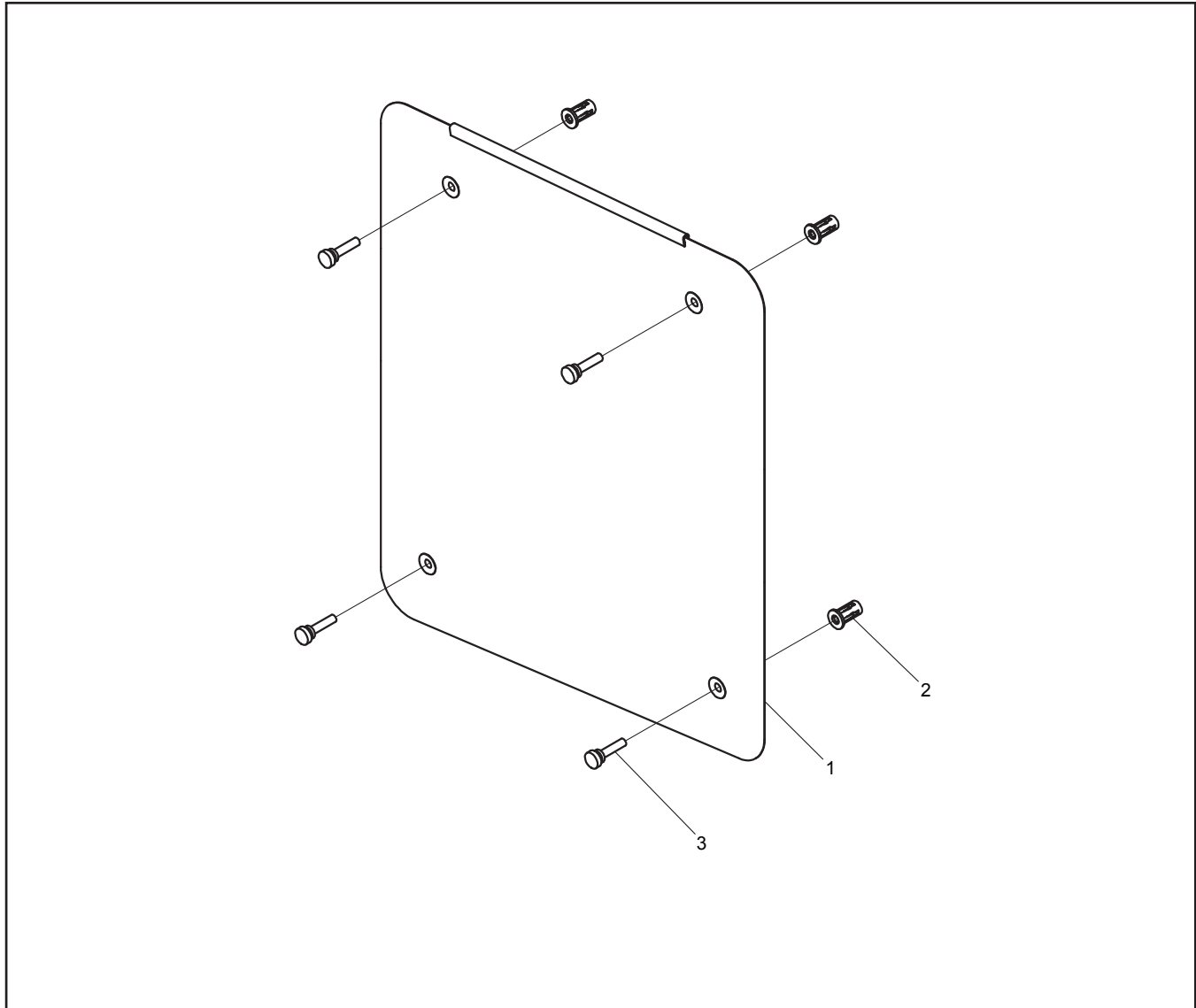
| Ref. | Qty. | Part # | Description |
|------|------|---------|--|
| 15 | 44 | 112-227 | C/Bolt, 5/16-18x3/4 Gr5 Zn |
| 16 | 44 | 117-21 | Locknut, Nylon 5/16-18 Zn |
| 17 | 16 | 117-70 | Insert, M10x1.5-13.5mm OD |
| 18 | 4 | 120-09 | Rivet - 3/16 x 1.0 Black |
| 19 | 76 | 120-31 | Rivet, 3/16" x 1/4", Open End |
| 20 | 4 | 127-282 | Plug, 1" Sq. Tube |
| 21 | 1 | 658-82 | Tool Ass'y, Insert Installation (Opt.) |



| Ref. | Qty. | Part # | Description |
|------|------|--------|--------------------|
| 1 | 1 | 958-96 | Bar, Light |
| 2 | 2 | 849-88 | Plug, 7/8" Sq Tube |
| 3 | 4 | 103-08 | HHCS 1/4-20x1.0 Zn |

958-99 Intake Debris Screen

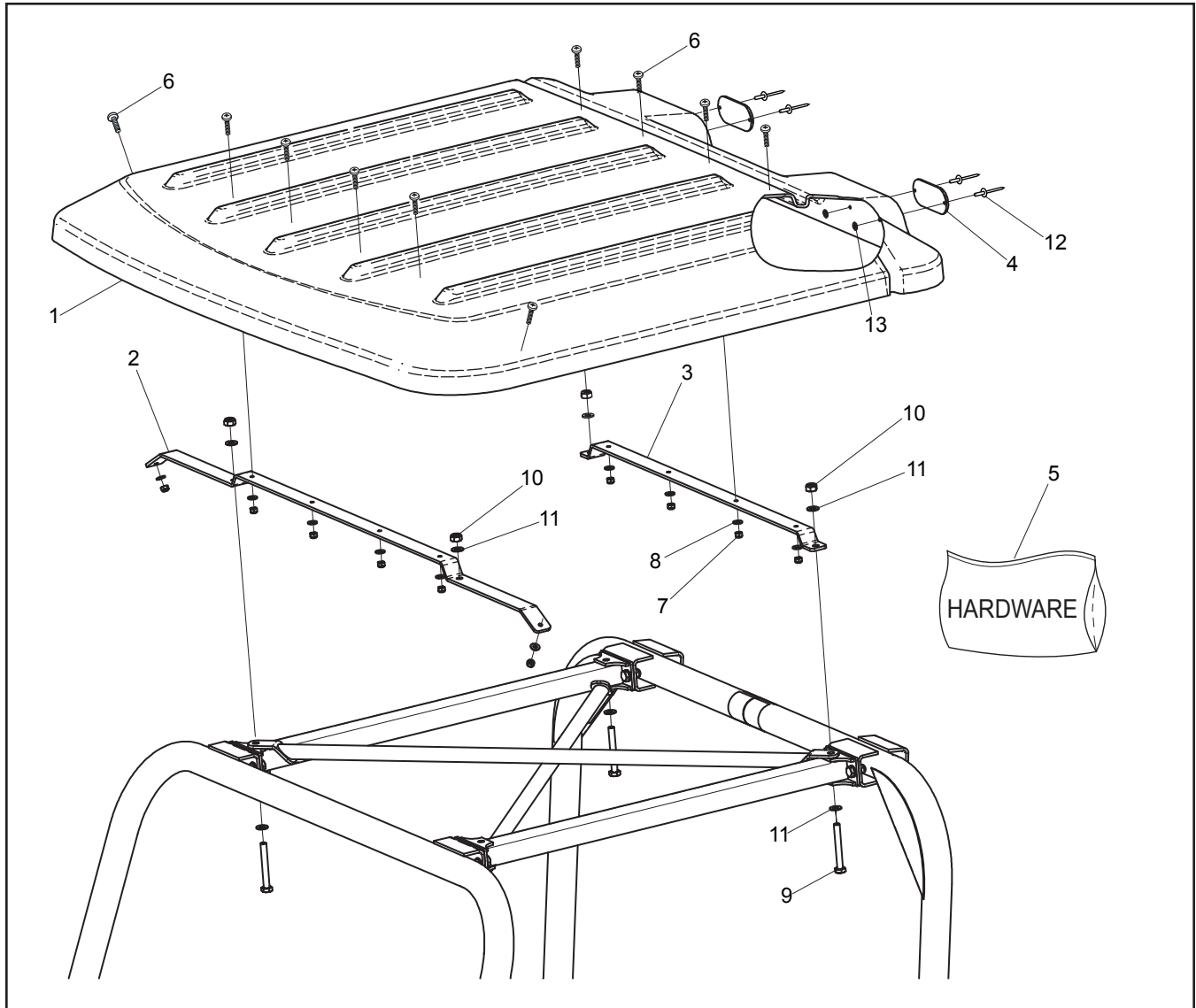
14.0 Accessories



| Ref. | Qty. | Part # | Description |
|------|------|--------|-----------------------------|
| 1 | 1 | 707-53 | Screen, Intake Debris, XT |
| 2 | 4 | 117-53 | Nut, Jack 1/4-20 8L-JNS Zn |
| 3 | 4 | 117-89 | Thumbscrew, 1/4-20X1, Nylon |

14.0 Accessories

958-102 Front Hard Roof

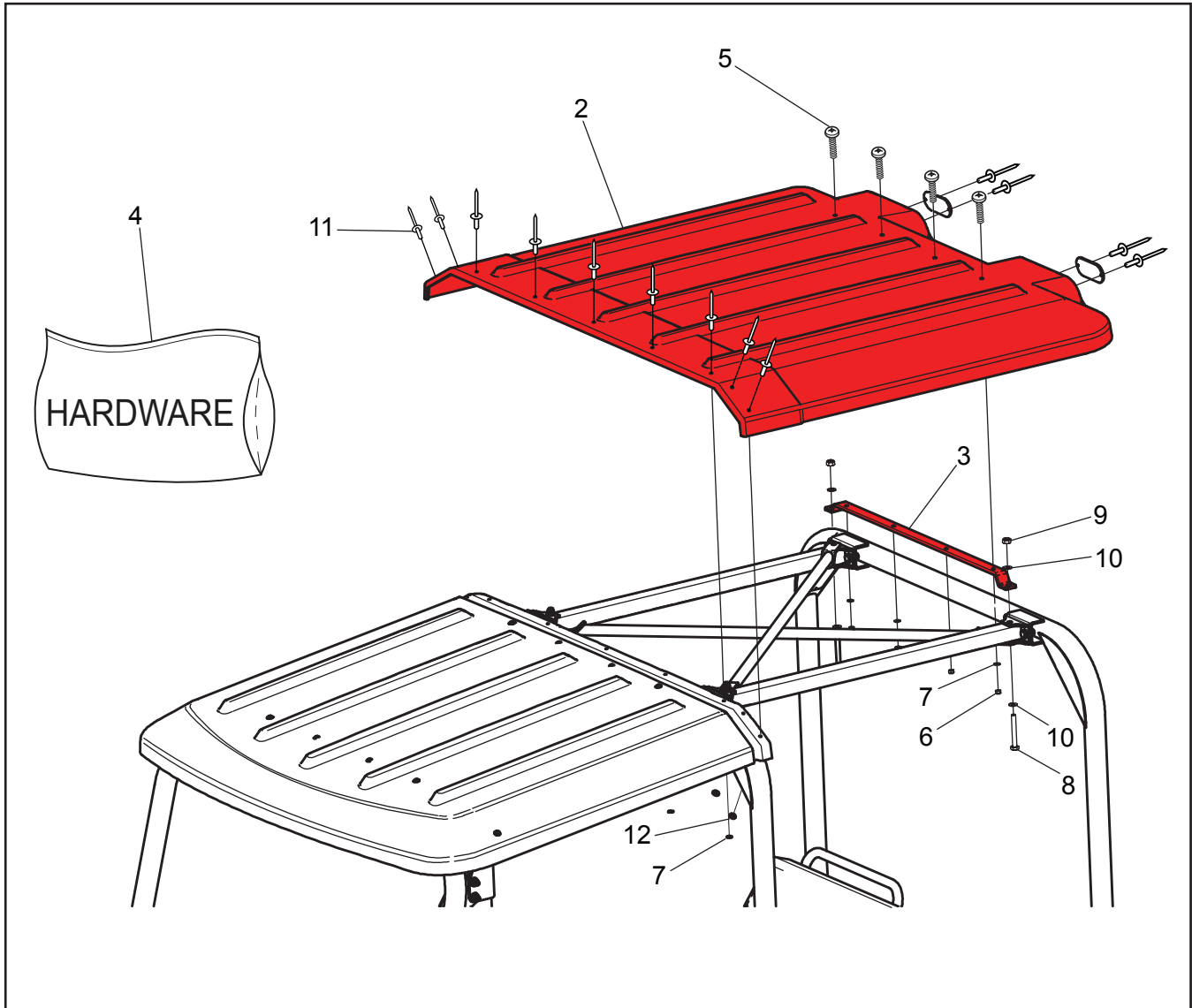


| Ref. | Qty. | Part # | Description |
|------|------|------------|----------------------------------|
| 1 | 1 | 958-103 | Hard Top, Front - XT |
| 2 | 1 | 958-106 | Bracket, Front Mount - XT |
| 3 | 1 | 958-107 | Bracket Rear Mount - XT |
| 4 | 2 | 127-01 | Reflector, Red |
| 5 | 1 | 958-102HDW | Hardware, 2 Person Hard Top - XT |
| 6 | 10 | 103-73 | THMS, Phil 1/4-20x.75 Zn |
| 7 | 10 | 117-27 | Locknut, Nylon 1/4-20 Zn |
| 8 | 10 | 108-08 | Washer .28x.62x.07 Zn |
| 9 | 4 | 112-120 | HHCS M10x1,5x80mm Zn |
| 10 | 4 | 117-60 | Locknut, Nyloc M10x1.5mm Zn 8 |
| 11 | 8 | 108-101 | Washer, 0.41X0.79x0.08, Zn |

| Ref. | Qty. | Part # | Description |
|------|------|--------|--------------------------|
| 12 | 4 | 120-13 | Rivet - 3/16 x 3/4 Black |
| 13 | 4 | 120-05 | Washer .19x.50x.04 Zn |

958-104 Rear Hard Roof

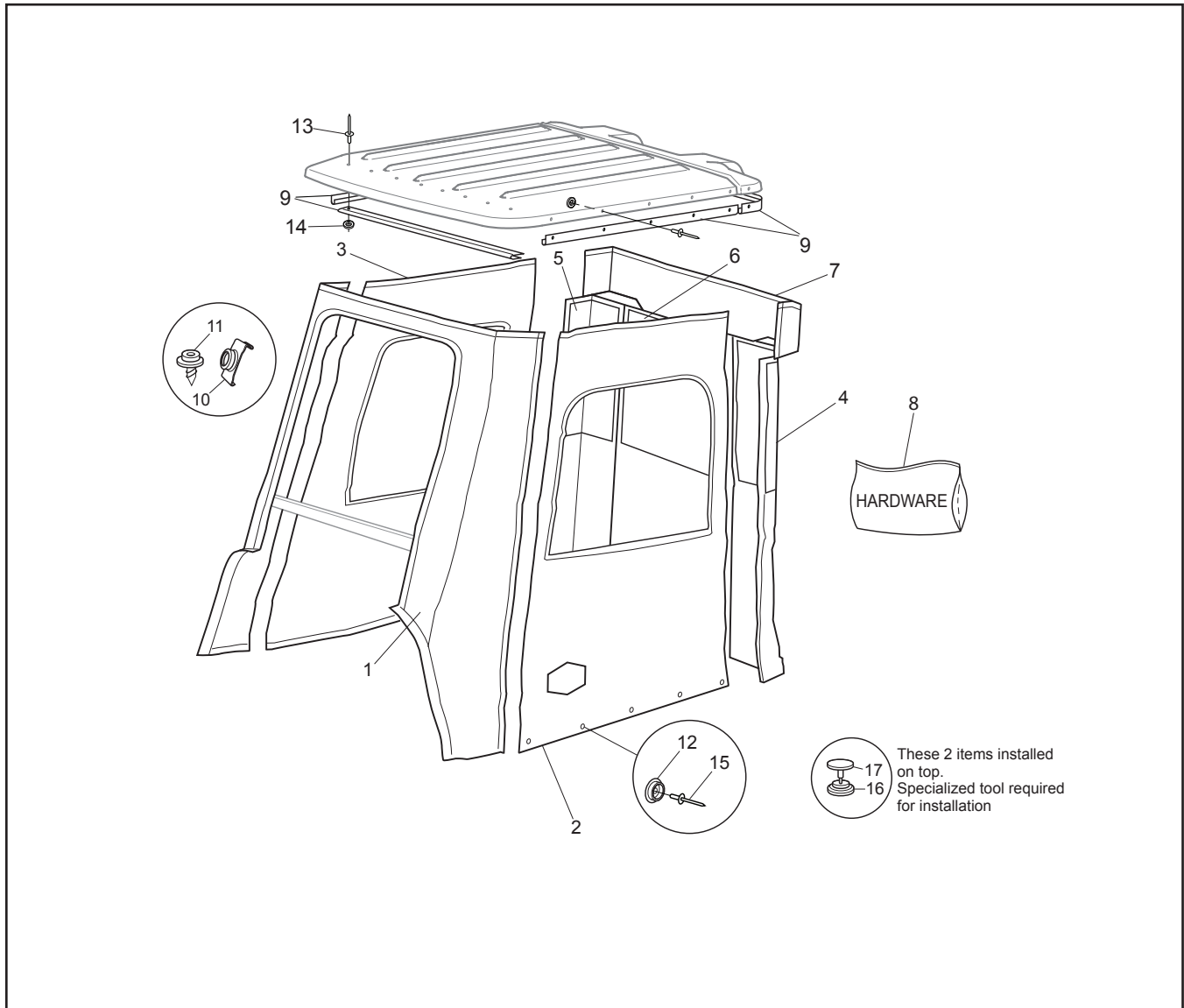
14.0 Accessories



| Ref. | Qty. | Part # | Description |
|------|------|-------------------|---|
| 1 | 1 | 958-102 | Hard Top, 2 Person Acc - XT |
| 2 | 1 | 958-105 | Hard Top, Rear - XT |
| 3 | 1 | 958-107 | Brkt, Rr Mnt - XT Hard Top |
| 4 | 1 | 958-104HDW | Hardware, 4 Person Hard Top - XT includes: |
| 5 | 4 | 103-73 | THMS, Phil 1/4-20x.75 Zn |
| 6 | 4 | 117-27 | Locknut, Nylon 1/4-20 Zn |
| 7 | 4 | 108-08 | Washer .28x.62x.07 Zn |
| 8 | 2 | 112-120 | HHCS M10x1,5x80mm Zn |
| 9 | 2 | 117-60 | Locknut, Nyloc M10x1.5mm Zn 8 |
| 10 | 4 | 108-101 | Washer, 0.41x0.79x0.08, Zn |

| Ref. | Qty. | Part # | Description |
|------|------|--------|--------------------------|
| 11 | 10 | 120-13 | Rivet - 3/16 x 3/4 Black |
| 12 | 10 | 120-05 | Washer .19x.50x.04 Zn |

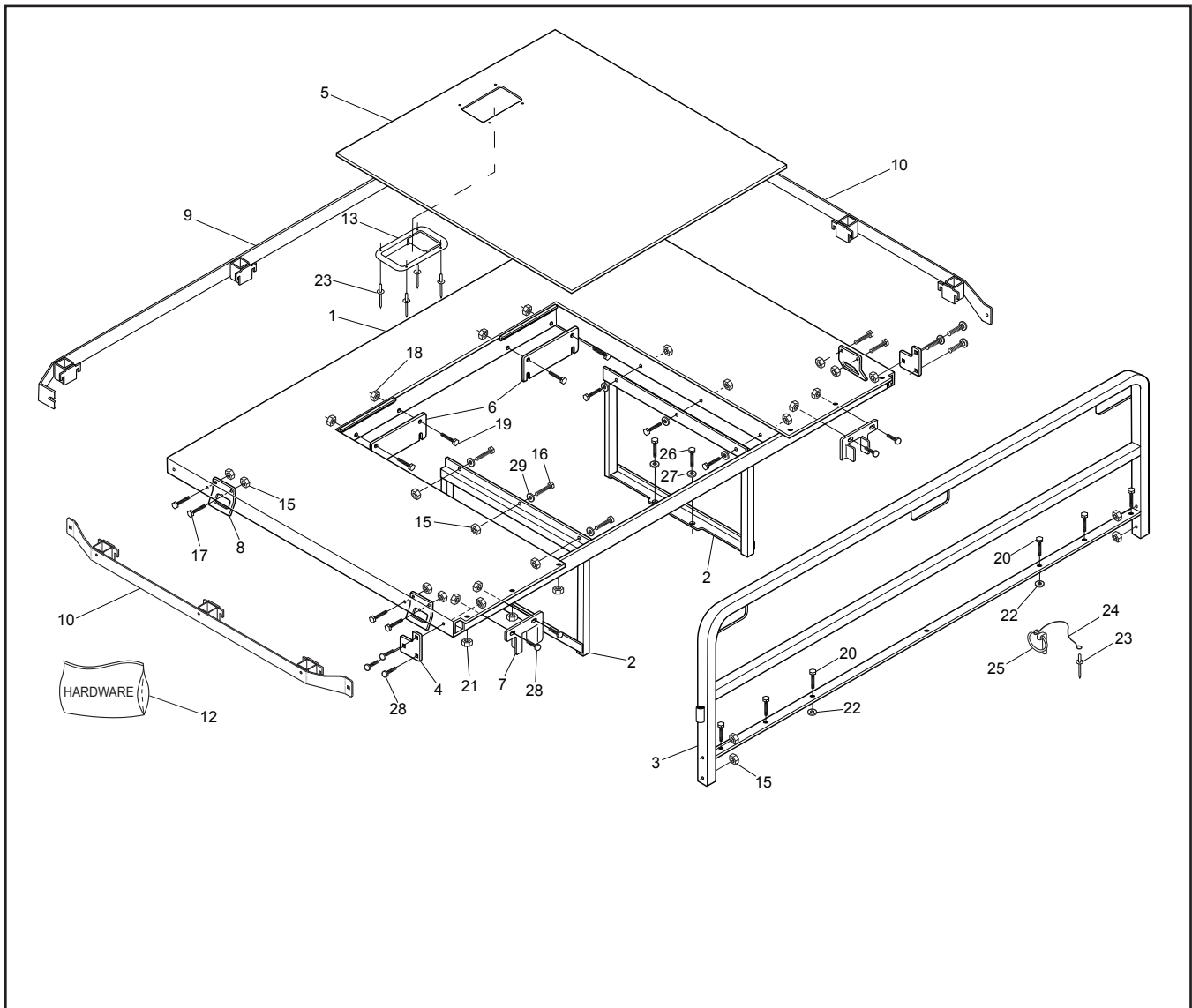
14.0 Accessories 958-110 Two Person Canvas Enclosure



| Ref. | Qty. | Part # | Description | Ref. | Qty. | Part # | Description |
|----------|----------|-------------------|---|------|------|---------|-------------------------------|
| 1 | 1 | 958-132 | Panel, Canvas - Windshield | 11 | 16 | 627-10 | Dome Stud #8 x 3/8" #688 |
| 2 | 1 | 958-133 | Panel, Canvas - FR L Door | 12 | 12 | 958-144 | Dome, Blank |
| 3 | 1 | 958-134 | Panel, Canvas - FR R Door | 13 | 30 | 120-11 | Rivet, 5/32 x .157-.472 |
| 4 | 1 | 958-135 | Panel, Canvas - FR Quarter Panel L | 14 | 30 | 120-04 | Washer .19x.50x.08 Zn |
| 5 | 1 | 958-136 | Panel, Canvas - FR Quarter Panel R | 15 | 12 | 120-20 | Rivet - 1/8 x 1/4 |
| 6 | 1 | 958-137 | Panel, Canvas - FR Tailgate | 16 | 17 | 4003E | Socket Nickle Plated Brass |
| 7 | 1 | 958-138 | Panel, Canvas - FR Tailgate HDR | 17 | 17 | 4002E | Finish Cap Black Finish Brass |
| 8 | 1 | 958-110HDW | Hardware, 2 Person Canvas Enclosure - XT includes: | | | | |
| 9 | 3 | 958-145 | Track, J Clip - 60" | | | | |
| 10 | 11 | 627-02 | Dome Snaps-Clip,Windshield | | | | |

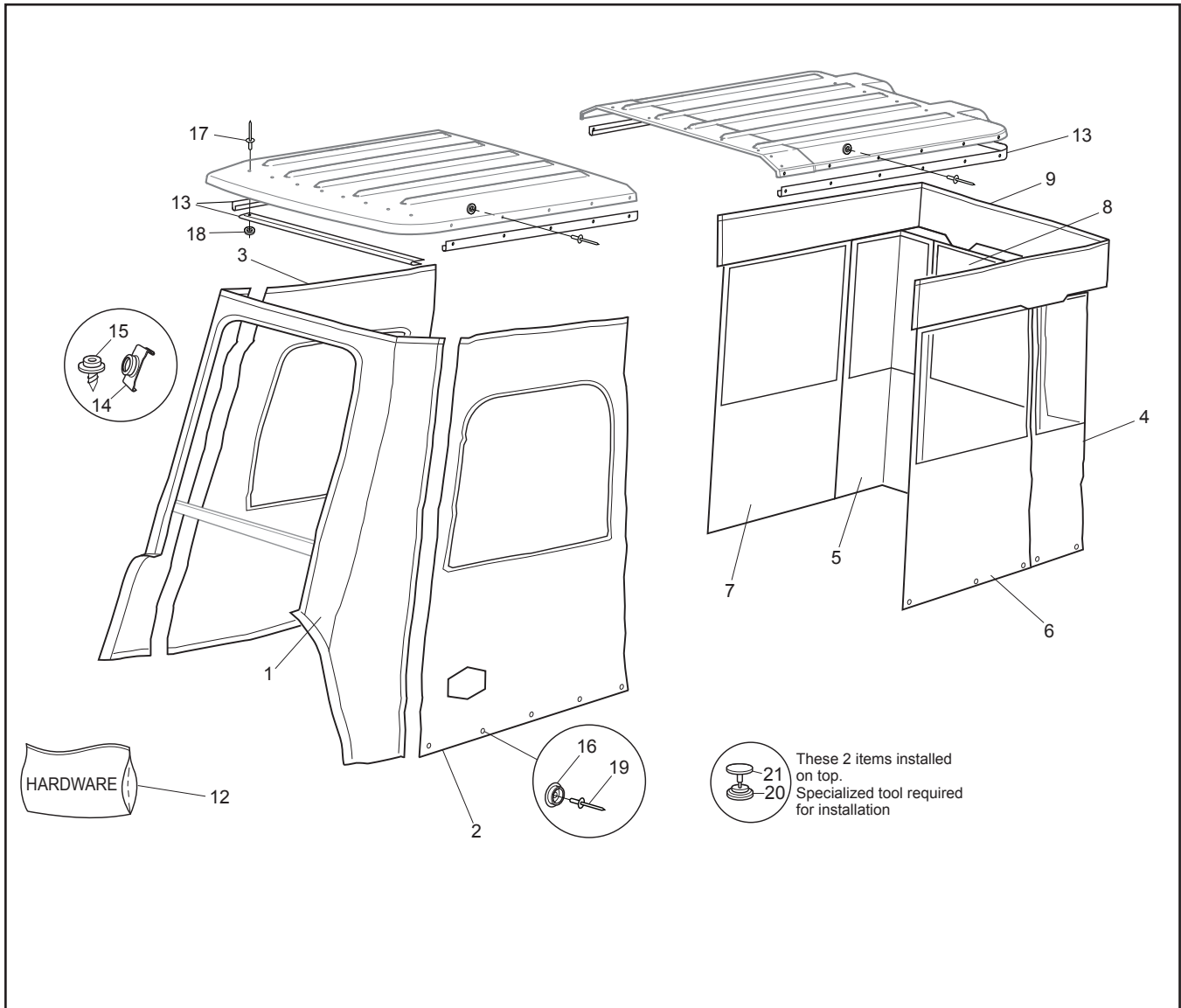
958-112 XT Flat Bed

14.0 Accessories



| Ref. | Qty. | Part # | Description | Ref. | Qty. | Part # | Description |
|------|------|-------------------|---------------------------------|------|------|---------|---------------------------|
| 1 | 1 | 950-26 | Frame, Flat Bed | 17 | 6 | 112-27 | HHCS 5/16-18x1.75 Gr5 Zn |
| 2 | 2 | 958-119 | Support Leg Flat Bed | 18 | 4 | 117-29 | Locknut, Nylon 3/8-16 Zn |
| 3 | 1 | 950-28 | Headboard | 19 | 4 | 103-76 | HHCS 3/8-16x1.75 Gr5 Zn |
| 4 | 2 | 958-122 | Bracket, Headboard | 20 | 6 | 112-04 | HHCS 1/4-20X3/4 Gr5 Zn |
| 5 | 1 | 950-27 | Hatch, Assembly | 21 | 6 | 117-27 | Locknut, Nylon 1/4-20 Zn |
| 6 | 2 | 958-109 | Bracket, Rear Mount | 22 | 2 | 108-08 | Washer .28x.62x.07 Zn |
| 7 | 2 | 958-111 | Bracket, Hoop Clamp | 23 | 4 | 120-14 | Rivet - 3/16 x 5/8 Black |
| 8 | 4 | 958-113 | Loop, Tie Down | 24 | 1 | 622-125 | Lanyard, Front Hitch EU |
| 9 | 1 | 958-114 | Stake Pocket, Rear | 25 | 1 | 104-38 | Pin, Hitch - 5/16 x 1.2" |
| 10 | 2 | 958-121 | Stake Pocket, Side | 26 | 4 | | Supplied with vehicle |
| 12 | 1 | 958-112HDW | Hardware, Flat Bed Basic | 27 | 4 | | Supplied with vehicle |
| 13 | 1 | 953-78 | Latch, Paddle Slam, Flush Mount | 28 | 22 | 103-112 | C/Bolt 5/16-18x2.0 Gr5 Zn |
| 14 | 2 | 112-11 | C/Bolt 5/16-18 x 1.5 Gr5 Zn | 29 | 6 | 108-76 | Washer .33 x .59 x .06 Zn |
| 15 | 12 | 117-21 | Locknut, Nylon 5/16-18 Zn | | | | |
| 16 | 6 | 103-57 | HHCS 5/16-18x1.5 Gr5 Zn | | | | |

14.0 Accessories 958-115 Four Person Canvas Enclosure

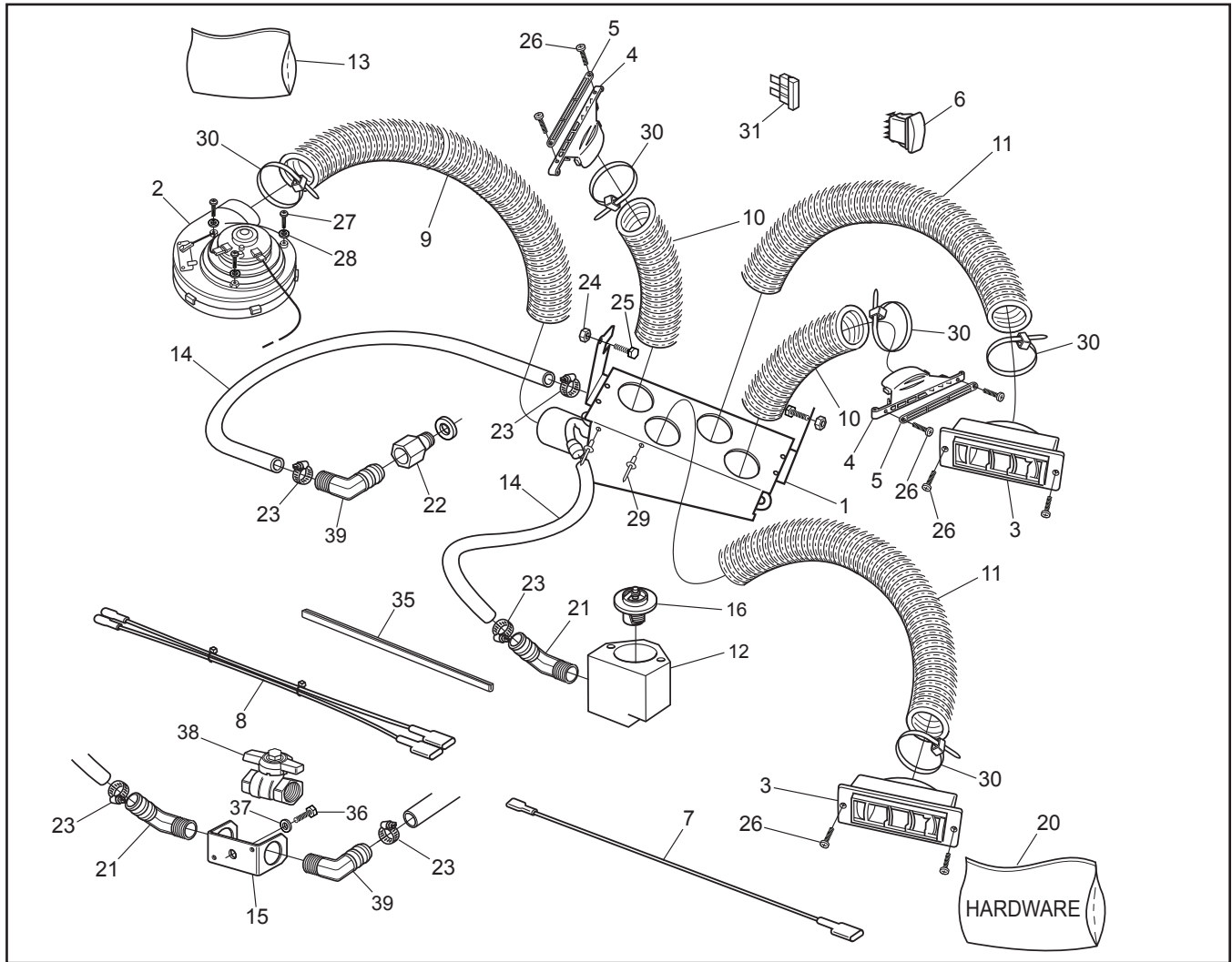


| Ref. | Qty. | Part # | Description |
|------|------|---------|-----------------------------------|
| 1 | 1 | 958-132 | Panel, Canvas - Windshield |
| 2 | 1 | 958-133 | Panel, Canvas - FR L Door |
| 3 | 1 | 958-134 | Panel, Canvas - FR R Door |
| 4 | 1 | 958-139 | Panel, Canvas - RR L Door |
| 5 | 1 | 958-140 | Panel, Canvas - RR R Door |
| 6 | 1 | 958-141 | Panel, Canvas - RR Center Panel L |
| 7 | 1 | 958-142 | Panel, Canvas - RR Center Panel R |
| 8 | 1 | 958-143 | Panel, Canvas - RR Tailgate |
| 9 | 1 | 958-146 | Panel, Canvas - RR Tailgate HDR |

| Ref. | Qty. | Part # | Description |
|-----------|----------|-------------------|---|
| 12 | 1 | 958-115HDW | Hardware, 4 Person Canvas Enclosure - XT includes: |
| 13 | 5 | 958-145 | Track, J Clip - 60" |
| 14 | 11 | 627-02 | Dome Snaps-Clip, Windshield |
| 15 | 12 | 627-10 | Dome Stud #8 x 3/8" #688 |
| 16 | 32 | 958-144 | Dome, Blank |
| 17 | 42 | 120-11 | Rivet, 5/32 x .157-.472 |
| 18 | 42 | 120-04 | Washer .19x.50x.08 Zn |
| 19 | 32 | 120-20 | Rivet - 1/8 x 1/4 |
| 20 | 33 | 4003E | Socket Nickle Plated Brass (Snap Fastener) |
| 21 | 33 | 4002E | Cap, Finish (Snap Fastener) |

958-129 Heater Kit - XTI

14.0 Accessories



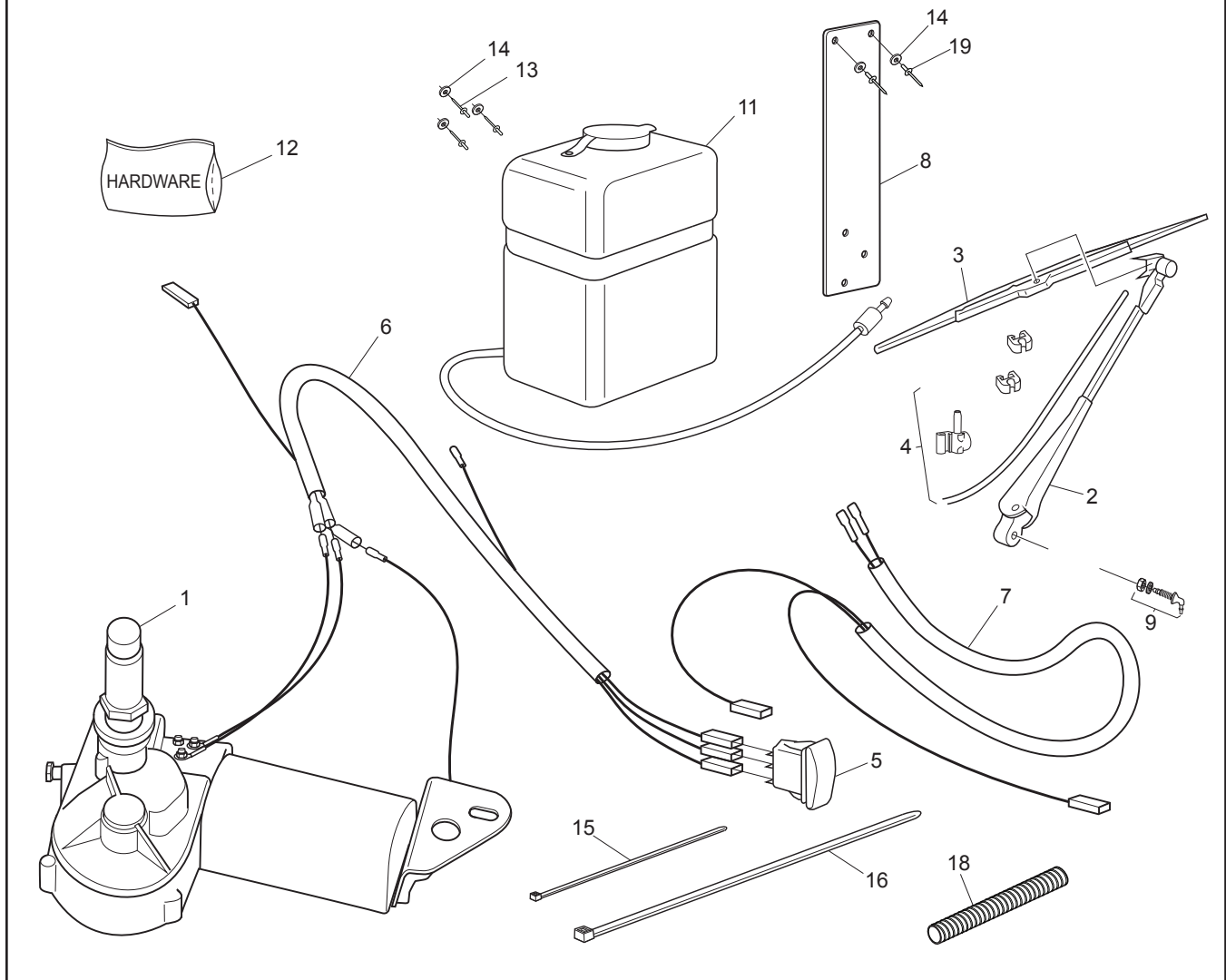
| Ref. | Qty. | Part # | Description |
|-----------|----------|-------------------|--|
| 1 | 1 | 958-127 | Heater Box W/Core |
| 2 | 1 | 953-56 | Fan, Blower Heater |
| 3 | 2 | 953-57 | Louver, Heater Vent |
| 4 | 2 | 953-58 | Plenum, Defroster |
| 5 | 2 | 953-59 | Grill, Vent Defrost |
| 6 | 1 | 613-157 | Switch, Heater Fan |
| 7 | 1 | 613-167 | Ground Wire, Heater Switch |
| 8 | 1 | 613-204 | Wire Harness, Heater - XT |
| 9 | 1 | 953-61 | Hose, Inlet 3" x 24" |
| 10 | 2 | 953-66 | Hose, Duct Defrost 2.5"x12" |
| 11 | 2 | 953-60 | Hose, Heat 2.5" x 36" |
| 12 | 1 | 848-106 | Housing, Heater Kit |
| 13 | 1 | 848-107 | Thermostat- Gasket & Fasteners (incl. Ref. 16) |
| 14 | 2.75' | 848-13RM | Hose, Heater - 5/8"IDx250' lg |
| 15 | 1 | 848-114 | Bracket, Shut Off Valve |
| 16 | 1 | 66 453 03 | 205 Degree Thermostat & Gasket |
| 20 | 1 | 958-129HDW | HDW, Heater/Defroster - XT |
| 21 | 2 | 848-64 | Barb, Hose 5/8x3/8NPTx45 Elbow |

| Ref. | Qty. | Part # | Description |
|------|------|-----------|-------------------------------|
| 22 | 1 | 848-174 | Adapter, M12 x 1.25-3/8 FPT |
| 23 | 4 | 638-16 | Clamp, Gear 5/8" HF-10 |
| 24 | 2 | 117-27 | Locknut, Nylon 1/4-20 Zn |
| 25 | 2 | 112-04 | HHCS 1/4-20x3/4 Gr5 Zn |
| 26 | 8 | 103-24BL | OHPS T/S #6x1.0 Black Zn |
| 27 | 3 | 103-48 | T/S Pan HD Phil #10x5/8 A Blk |
| 28 | 3 | 120-04 | Washer .19x.50x.08 Zn |
| 29 | 2 | 120-15 | Rivet - 1/8 x 7/16 |
| 30 | 5 | 100-102 | Tie Wrap - 14" - White - 50lb |
| 31 | 1 | 118-49 | Fuse, 15A 2-Prong (AT015) |
| 32 | 1 | 952-218 | Tool, Layout Defroster |
| 33 | 1 | 952-219 | Template, Defroster Location |
| 34 | 1 | 952-220 | Template, Heater Fan Install |
| 35 | 1.5 | 601-107RM | Trim, Neoprene |
| 36 | 1 | 112-96 | HHCS M6x1x10mm Zn |
| 37 | 1 | 108-03 | Lockwasher 1/4 Split Ring Zn |
| 38 | 1 | 848-113 | Valve, Shutoff |
| 39 | 3 | 848-31 | Barb, Beaded Hose 90 Elbow |

14.0 Accessories

958-130 Windshield Wiper/Washer

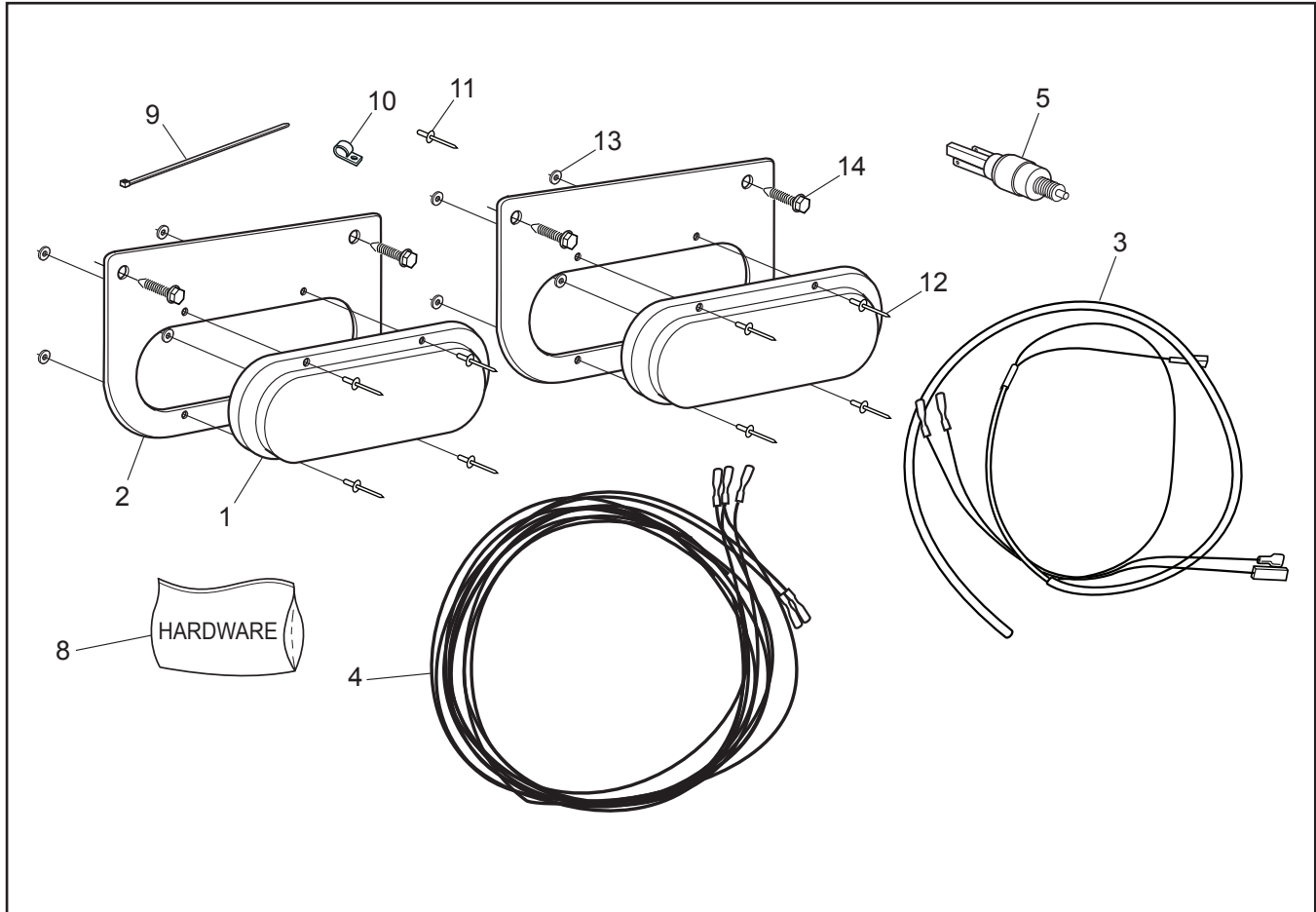
For 958-90 Fixed Windshield only. Will not work with 988-192 Fold Down Windshield.



| Ref. | Qty. | Part # | Description | Ref. | Qty. | Part # | Description |
|------|------|------------|-----------------------------------|------|------|-----------|-------------------------------|
| 1 | 1 | 953-62 | Motor, Wiper 110 Degree 2 SP | 15 | 6 | 100-64 | Tie Wrap - 5.5" - Black |
| 2 | 1 | 849-268 | Arm, Wiper Radial | 16 | 2 | 100-102 | Tie Wrap - 14" - White - 50lb |
| 3 | 1 | 849-269 | Blade, Wiper 19" | 17 | 3 | 118-75 | Terminal, Male Bullet Red |
| 4 | 1 | 849-271 | Nozzle, Washer Arm Kit | 18 | .5 | 613-207-6 | Loom, Nylon .25" ID |
| 5 | 1 | 613-203 | Switch, Wiper 1Spd W/Washer | 19 | 2 | 120-14 | Rivet - 3/16 x 5/8 Black |
| 6 | 1 | 613-205 | Wire Harness, Wiper - XT | 20 | 1 | 103-48 | T/S Pan Hd Phil #10x5/8 A Blk |
| 7 | 1 | 613-206 | Wire Harness, Washer - XT | | | | |
| 8 | 1 | 958-215 | Bracket, Reservoir - XT | | | | |
| 9 | 1 | 849-272 | Fitting, Bulkhead 90 Degree | | | | |
| 10 | 1 | 849-273 | Hose, Washer 3/16" | | | | |
| 11 | 1 | 849-274 | Reservoir, Washer W/Pump | | | | |
| 12 | 1 | 958-130HDW | Hardware, Wiper Washer XTI | | | | |
| 13 | 3 | 120-13 | Rivet - 3/16 X 3/4 Black | | | | |
| 14 | 5 | 120-04 | Washer .19x.50x.08 Zn | | | | |

958-147 Brake/Tail Lights

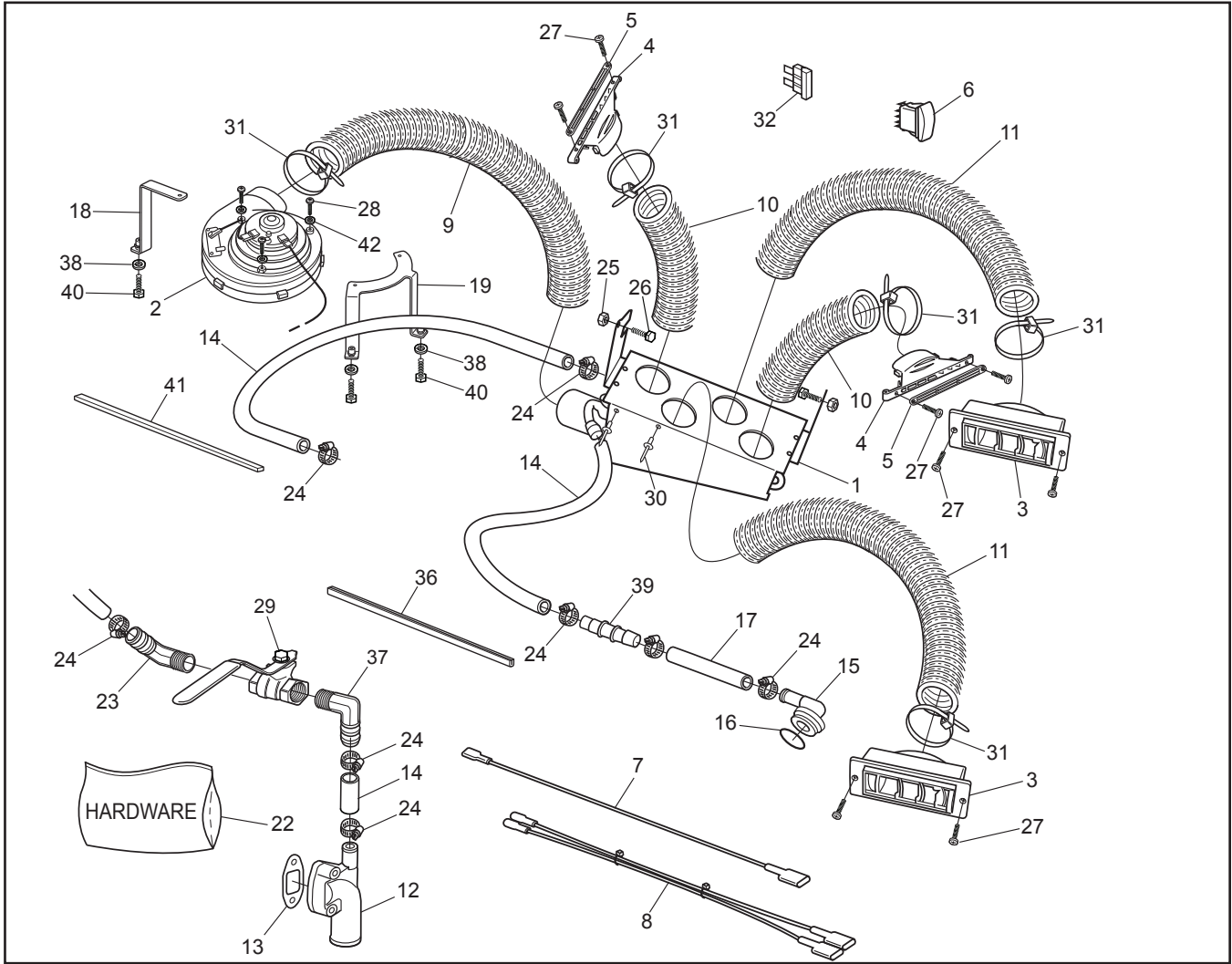
14.0 Accessories



| Ref. | Qty. | Part # | Description |
|----------|----------|-------------------|--|
| 1 | 2 | 613-208 | Light, Brake/Tail LED Oval |
| 2 | 2 | 952-221 | Bracket, Brake Light Oval |
| 3 | 1 | 624-28 | Harness, Brake Light Switch XT |
| 4 | 1 | 624-29 | Wire Harness, Brake Light - XT |
| 5 | 1 | 613-165 | Switch, Brake Light - HDI |
| 8 | 1 | 958-147HDW | Tail & Brake Light Hardware |
| 9 | 6 | 100-64 | Tie Wrap - 5.5" - Black |
| 10 | 3 | 126-93 | Clamp, Nylon Wire - 1/2" ID |
| 11 | 3 | 120-13 | Rivet - 3/16 x 3/4 Black |
| 12 | 8 | 120-11 | Rivet, 5/32 x .157-.472 |
| 13 | 8 | 108-28 | Washer .156x.375x.047 Zn |
| 14 | 4 | 112-102 | Screw, Self Drill 12-14 x 3/4" |
| 15 | 4 | 103-55 | HHCS 5/16-18 x 2.75 Gr5 Zn |
| 16 | 4 | 108-24 | Washer .34 x .70 x .06 Zn |
| 17 | 4 | 117-21 | Locknut, Nylon 5/16-18 Zn |

14.0 Accessories

958-156 Heater Assembly - XTD

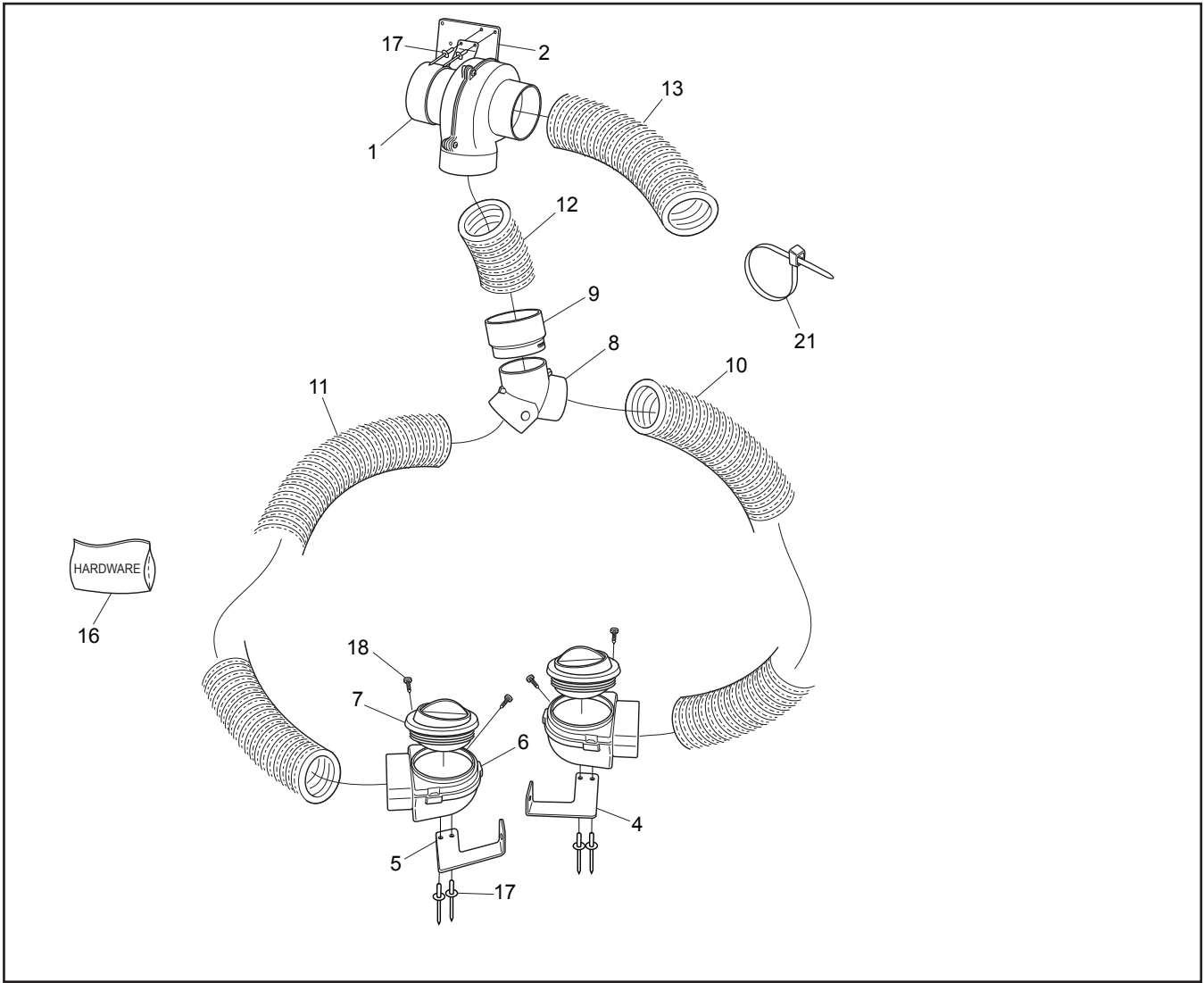


| Ref. | Qty. | Part # | Description |
|------|------|------------|------------------------------------|
| 1 | 1 | 958-127 | Heater Box W/Core |
| 2 | 1 | 953-56 | Fan, Blower Heater |
| 3 | 2 | 953-57 | Louver, Heater Vent |
| 4 | 2 | 953-58 | Plenum, Defroster |
| 5 | 2 | 953-59 | Grill, Vent Defrost |
| 6 | 1 | 613-157 | Switch, Heater Fan |
| 7 | 1 | 613-167 | Ground Wire, Heater Switch |
| 8 | 1 | 613-204 | Wire Harness, Heater - XT |
| 9 | 1 | 953-61 | Hose, Inlet 3" x 24" |
| 10 | 2 | 953-66 | Hose, Duct Defrost 2.5" x 12" |
| 11 | 2 | 953-60 | Hose, Heat 2.5" x 36" |
| 12 | 1 | 953-84 | Heater Outlet Housing |
| 13 | 1 | 953-85 | Gasket, Outlet Housing |
| 14 | 2.5 | 848-13RM | Hose, Heater - 5/8"ID x 250' lg |
| 15 | 1 | 953-86 | Fitting, Return Port |
| 16 | 1 | 953-87 | Gasket, Return Port |
| 17 | .5 | 958-162 | Hose, Heater 1/2" ID RM |
| 18 | 1 | 952-243 | Bracket, Fan Single XTD |
| 19 | 1 | 952-244 | Bracket, Fan Double XTD |
| 22 | 1 | 958-156HDW | HDW, Heater/Defroster - XT |
| 23 | 3 | 848-64 | Barb, Hose 5/8 x 3/8NPT x 45 Elbow |

| Ref. | Qty. | Part # | Description |
|------|------|-----------|----------------------------------|
| 24 | 8 | 638-16 | Clamp, Gear 5/8" HF-10 |
| 25 | 2 | 117-27 | Locknut, Nylon 1/4-20 Zn |
| 26 | 2 | 112-04 | HHCS 1/4-20 x 3/4 Gr5 Zn |
| 27 | 8 | 103-24BL | OHPS T/S #6 x 1.0 Black Zn |
| 28 | 3 | 103-48 | T/S Pan HD Phil #10 x 5/8 A Blk |
| 29 | 1 | 848-113 | Valve, Shutoff |
| 30 | 2 | 120-15 | Rivet - 1/8 x 7/16 |
| 31 | 5 | 100-102 | Tie Wrap - 14" - White - 50lb |
| 32 | 1 | 118-49 | Fuse, 15A 2-Prong (AT015) |
| 33 | 1 | 952-218 | Tool, Layout Defroster |
| 34 | 1 | 952-219 | Template, Defroster Location |
| 35 | 1 | 952-220 | Template, Heater Fan Install |
| 36 | 1.5 | 601-107RM | Trim, Neoprene |
| 37 | 1 | 848-31 | Barb, Beaded Hose 90 Elbow - NPT |
| 38 | 3 | 108-03 | Lockwasher 1/4 Split Ring Zn |
| 39 | 1 | 958-163 | Fitting, Reducer 5/8 -1/2 Barb |
| 40 | 3 | 112-220 | HHCS M6x1x20mm Gr8.8 Zn |
| 41 | 1.3 | 126-60 | Vinyl Strip 1/2"x1/4" |
| 42 | 3 | 120-04 | Washer .19 x .50 x .08 Zn |

958-157 Brake Cooling Accessory

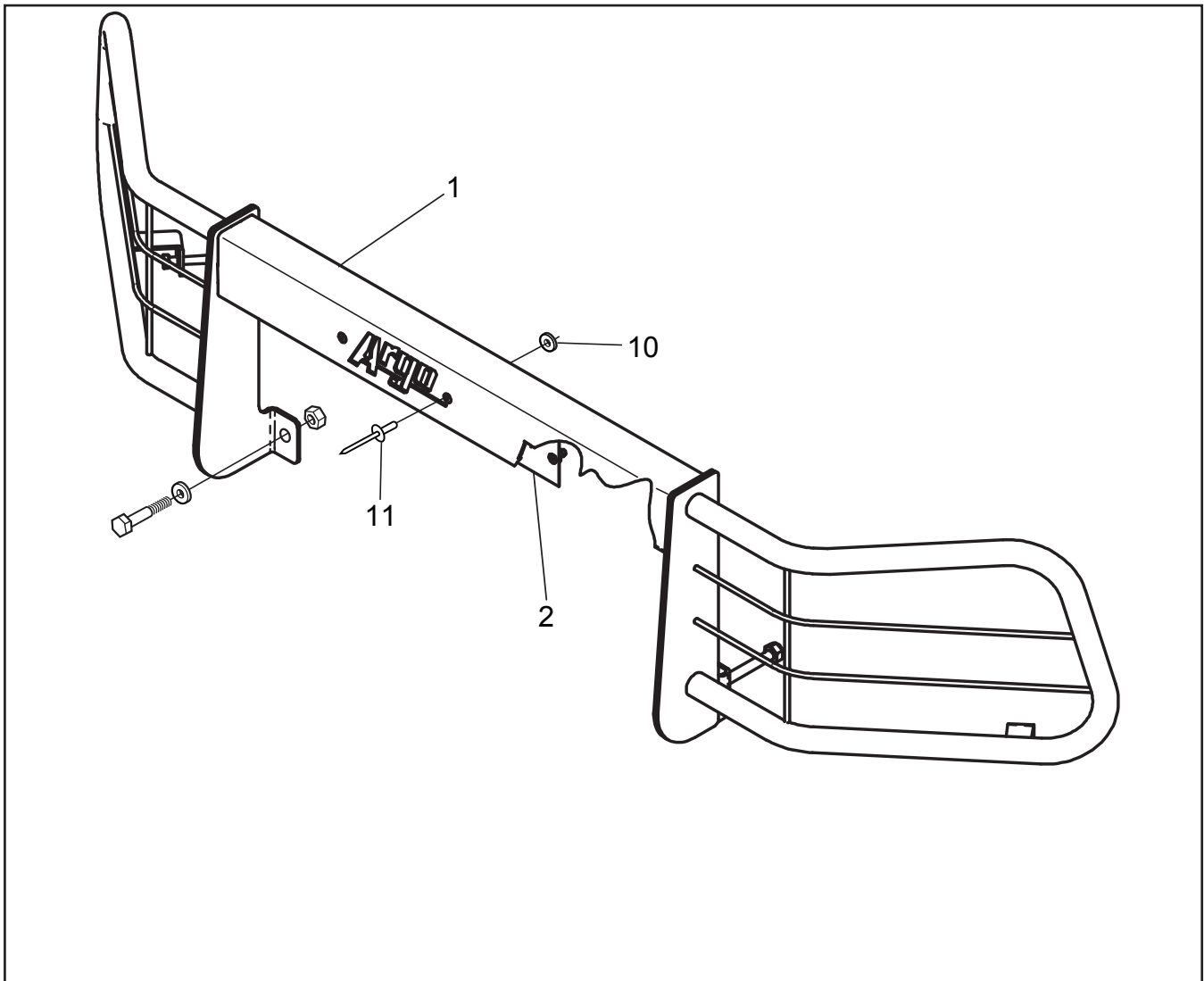
14.0 Accessories



| Ref. | Qty. | Part # | Description | Ref. | Qty. | Part # | Description |
|------|------|---------|--------------------------------|------|------|------------|------------------------------------|
| 1 | 1 | 127-184 | Blower Fan c/w Mtg Bracket | 16 | 1 | 958-157HDW | Hardware, Service Brake Cooling XT |
| 2 | 1 | 952-247 | Bracket, Fan Brake Cooling | 17 | 12 | 120-14 | Rivet - 3/16 x 5/8 Black |
| 3 | 1 | 613-221 | Wire Harness, Brake Cooling XT | 18 | 4 | 112-139 | OHPS T/S #4X5/8 Black Zn |
| 4 | 1 | 952-246 | Bracket, Cooling Duct LH | 19 | 1 | 118-02 | Terminal, Male - #76-1251 |
| 5 | 1 | 952-248 | Bracket, Cooling Duct RH | 20 | 1 | 118-03 | Terminal, Female - #76-1289 |
| 6 | 2 | 864-06 | Duct, Brake Cooling | 21 | 9 | 100-102 | Tie Wrap - 14" - White - 50lb |
| 7 | 2 | 864-07 | Louver, Brake Cooling | | | | |
| 8 | 1 | 864-04 | Fitting, 2.5" Hose Y | | | | |
| 9 | 1 | 864-05 | Fitting, Hose Reducer 3" -2.5" | | | | |
| 10 | 1 | 864-08 | Hose, Brake 2.5" x 24" | | | | |
| 11 | 1 | 864-09 | Hose, Brake 2.5" x 48" | | | | |
| 12 | 1 | 864-10 | Hose, Brake 3" x 6" | | | | |
| 13 | 1 | 864-12 | Hose, Brake 3" x 48" | | | | |

14.0 Accessories

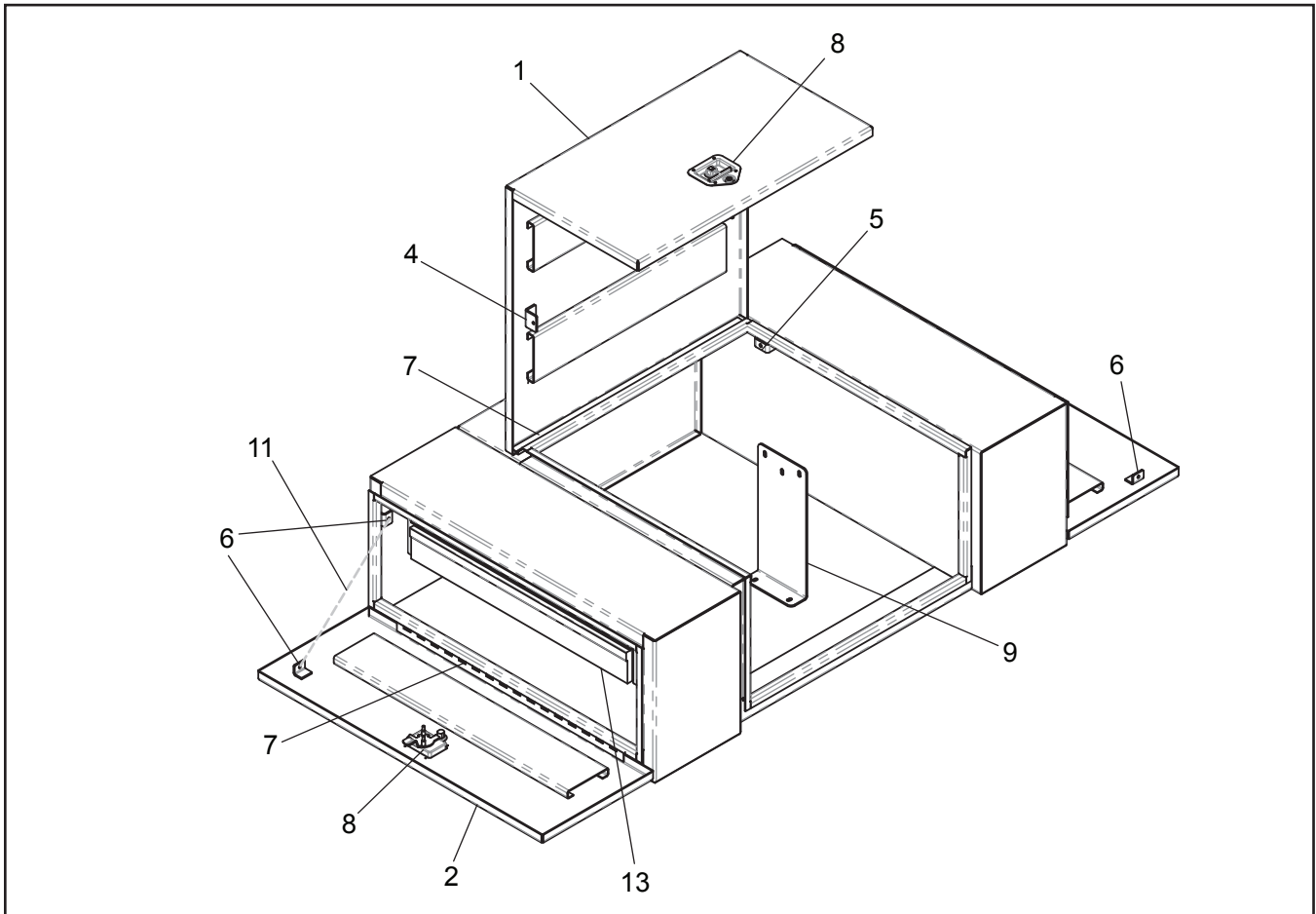
958-165 Brush Guard



| Ref. | Qty. | Part # | Description | Ref. | Qty. | Part # | Description |
|------|------|---------|----------------------------|------|------|--------|-------------|
| 1 | 1 | 958-158 | Brushguard, One Piece - XT | | | | |
| 2 | 1 | 958-128 | Plate, Name Backer | | | | |
| 10 | 3 | 120-04 | Washer .42x.81x.06 Gr8 | | | | |
| 11 | 3 | 120-14 | Rivet - 3/16 x 5/8 Black | | | | |

958-168 XT Utility Box

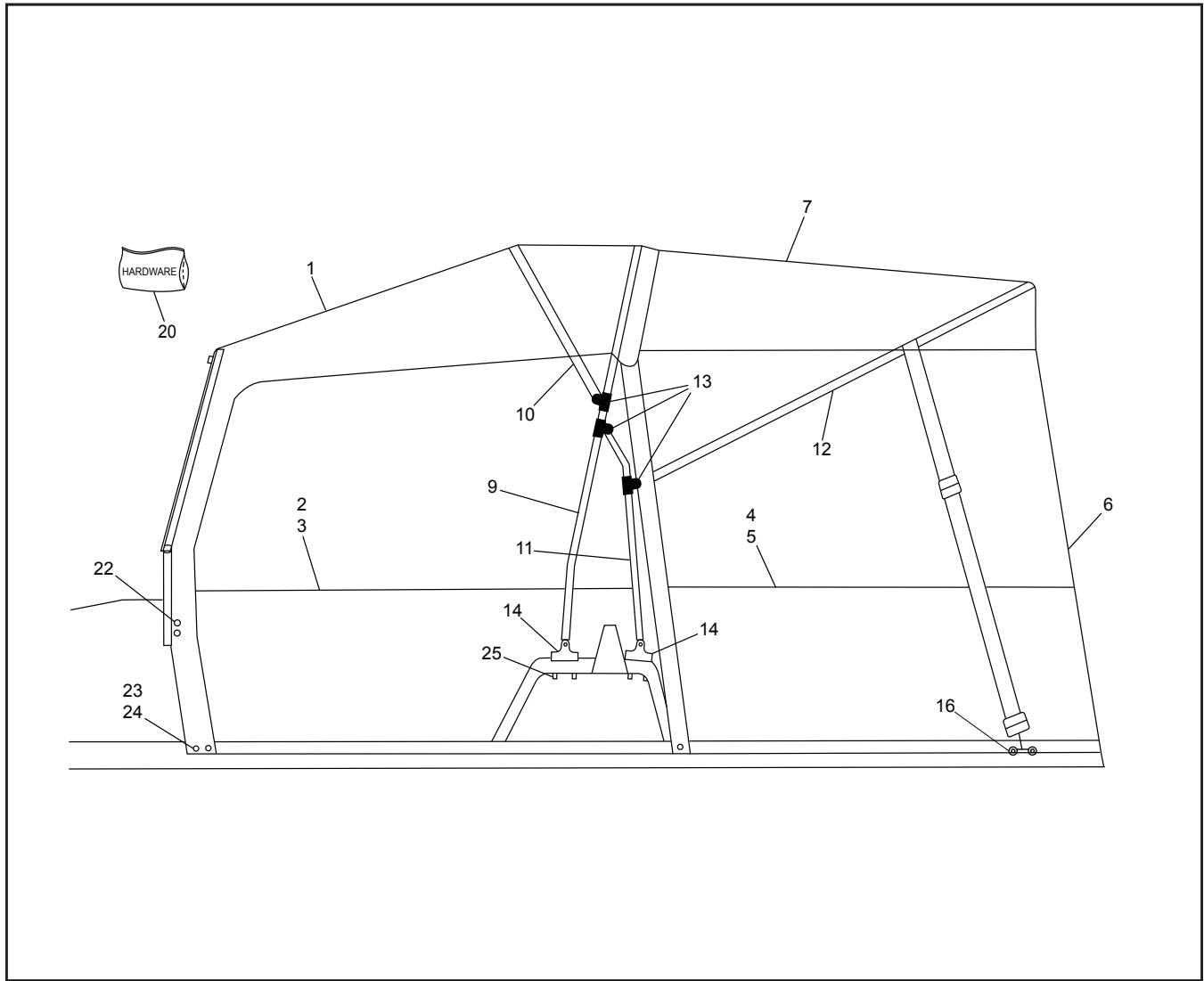
14.0 Accessories



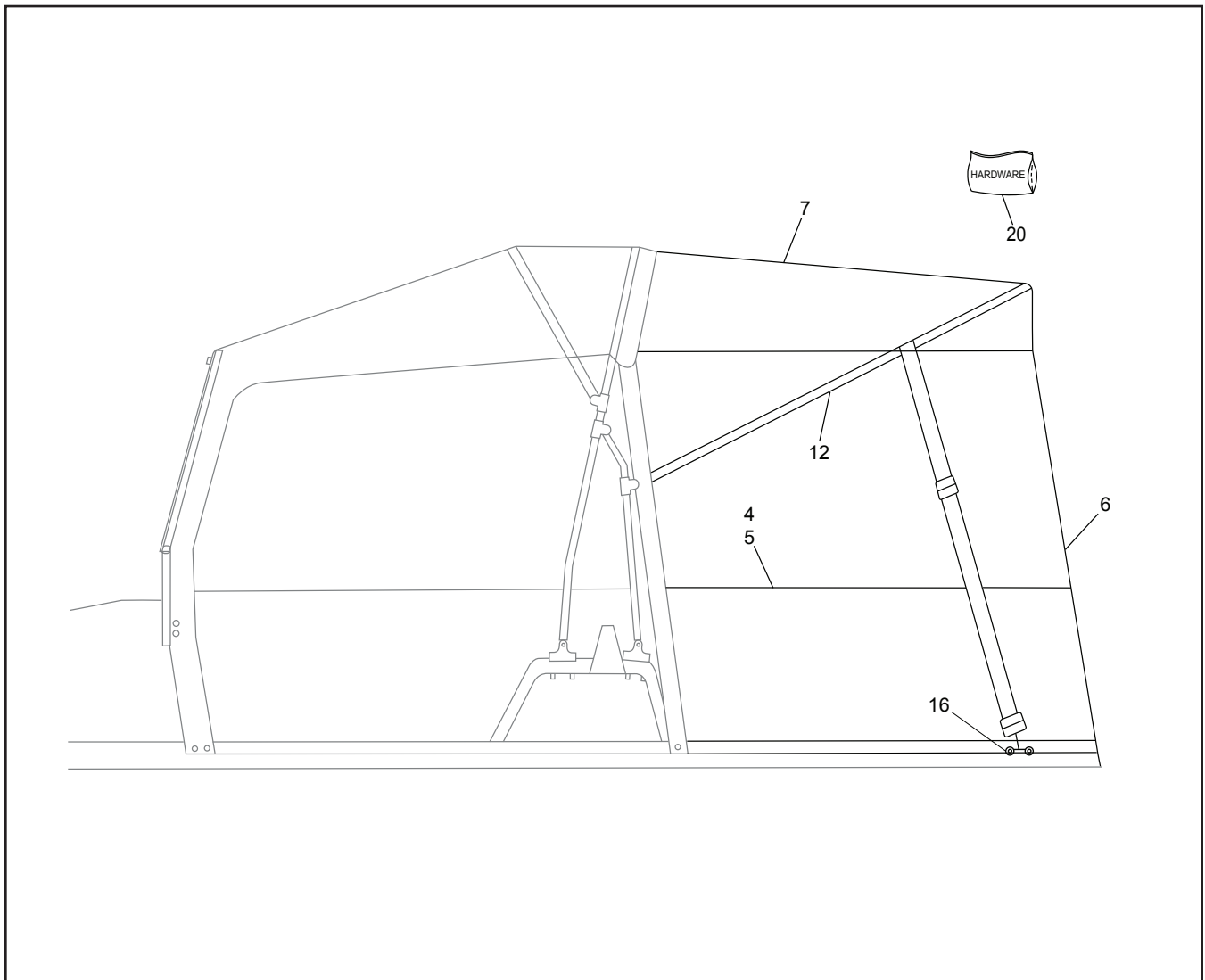
| Ref. | Qty. | Part # | Description |
|------|------|------------|-------------------------------|
| 1 | 1 | WB-L005 | Top Lid |
| 2 | 2 | WB-S003 | Side Door |
| 3 | 1 | WB-001 | Shelf |
| 4 | 2 | WB-002 | Lid Top Gas Shock Bracket |
| 5 | 2 | WB-003 | Lid Side Gas Shock Bracket |
| 6 | 4 | WIL-4040 | Chain Holder Bracket |
| 7 | 3 | 7510071 | Piano Hinge |
| 8 | 3 | 21509 | Teardrop Lock |
| 9 | 1 | WB-004 | Mounting Bracket & Hardware |
| 10 | 1 | WB-005 | Hoop Clamp Bracket & Hardware |
| 11 | 2 | 45071 | Door Chain |
| 12 | 2 | NSK725V90M | 18.5" Gas Shock |
| 13 | 1 | 958-169 | Optional Drawer |

14.0 Accessories

958-171 Convertible Top - 4 Person



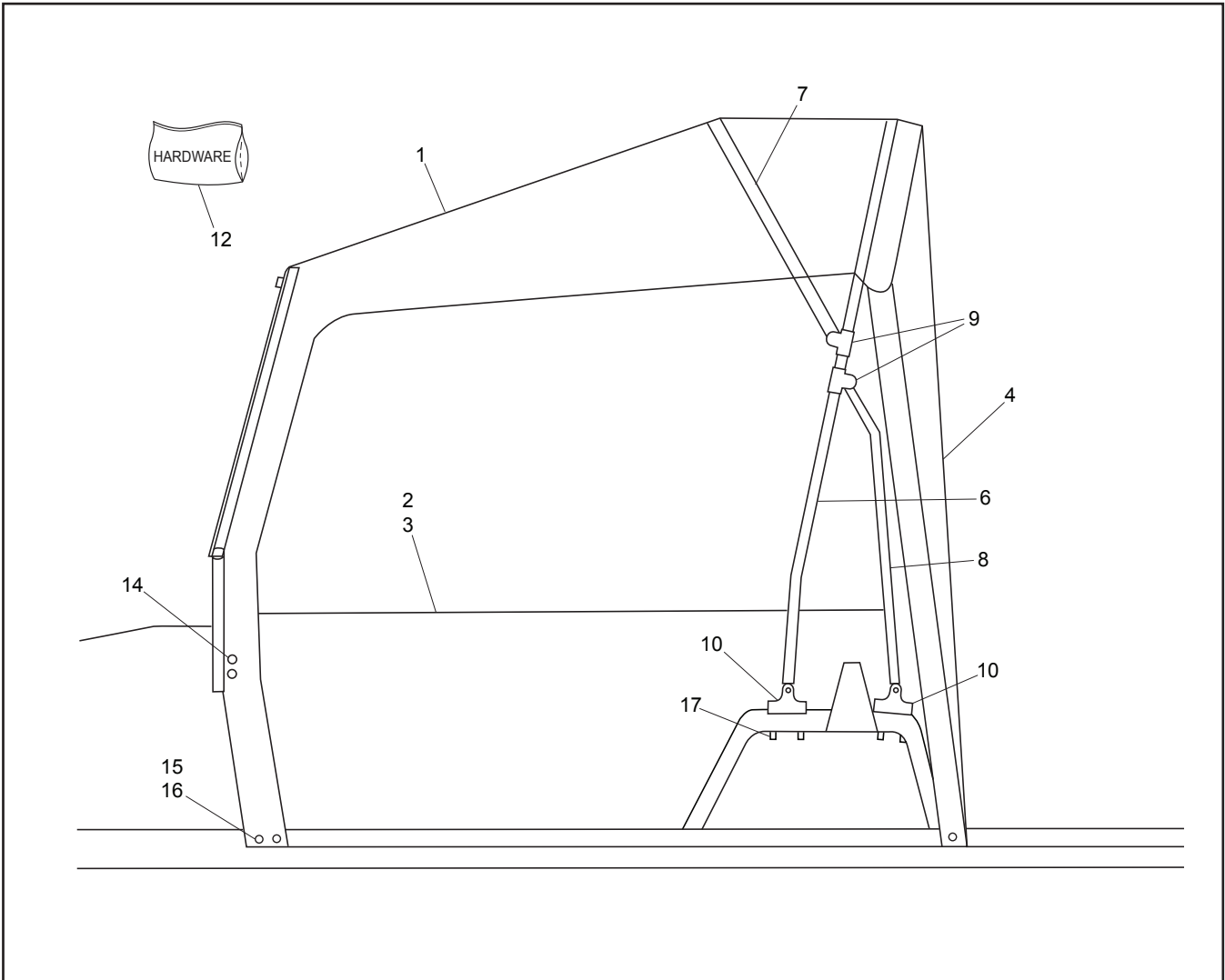
| Ref. | Qty. | Part # | Description | Ref. | Qty. | Part # | Description |
|------|------|---------|------------------------------|-----------|----------|-------------------|---|
| 1 | 1 | 958-173 | Panel, Canvas - Front Roof | 12 | 1 | 958-186 | Frame, Rear Roof Supt Pole |
| 2 | 1 | 958-174 | Panel, Canvas - RH FR Door | 13 | 3 | 958-187 | Jaw Slide W/ Fasteners |
| 3 | 1 | 958-175 | Panel, Canvas - LH FR Door | 14 | 4 | 958-188 | Brkt, Nyl Convex Straight Tapped |
| 4 | 1 | 958-177 | Panel, Canvas - RH RR Door | 15 | 2 | 958-189 | Brkt, Nyl Convex Curved Drilled |
| 5 | 1 | 958-178 | Panel, Canvas - LH RR Door | 16 | 2 | 958-190 | Brkt, Stl Flat Straight Tapped |
| 6 | 1 | 958-179 | Panel, Canvas - 4P RR Window | 20 | 1 | 958-171HDW | XT Canv Encl - 4 Person Hardware |
| 7 | 1 | 958-180 | Panel, Canvas - Rear Roof | 21 | 25 | 627-02 | Dome Snaps Clip, Windshield |
| 8 | 1 | 958-182 | Boot, Canvas - 4 Person | 22 | 4 | 627-10 | Dome Stud #8 x 3/8" #688 |
| 9 | 1 | 958-183 | Frame, Main Pole | 23 | 45 | 958-144 | Dome, Blank |
| 10 | 1 | 958-184 | Frame, Front Roof Supt Pole | 24 | 45 | 120-20 | Rivet - 1/8 x 1/4 |
| 11 | 2 | 958-185 | Frame, Main Pole Supt | 25 | 12 | 112-102 | Screw, Self Drill 12-14 x 3/4" |



| Ref. | Qty. | Part # | Description |
|-----------|----------|-------------------|---|
| 4 | 1 | 958-177 | Panel, Canvas - RH RR Door |
| 5 | 1 | 958-178 | Panel, Canvas - LH RR Door |
| 6 | 1 | 958-179 | Panel, Canvas - 4P RR Window |
| 7 | 1 | 958-180 | Panel, Canvas - Rear Roof |
| 8 | 1 | 958-182 | Boot, Canvas - 4 Person |
| 12 | 1 | 958-186 | Frame, Rear Roof Supt Pole |
| 16 | 2 | 958-190 | Brkt, Stl Flat Straight Tapped |
| 20 | 1 | 958-172HDW | Soft Canv Encl - 2 to 4 Conv. Hardware |
| 23 | 21 | 958-144 | Dome, Blank |
| 24 | 21 | 120-20 | Rivet - 1/8 x 1/4 |
| 25 | 4 | 112-102 | Screw, Self Drill 12-14 x 3/4" |

14.0 Accessories

958-191 Convertible Top - 2 Person

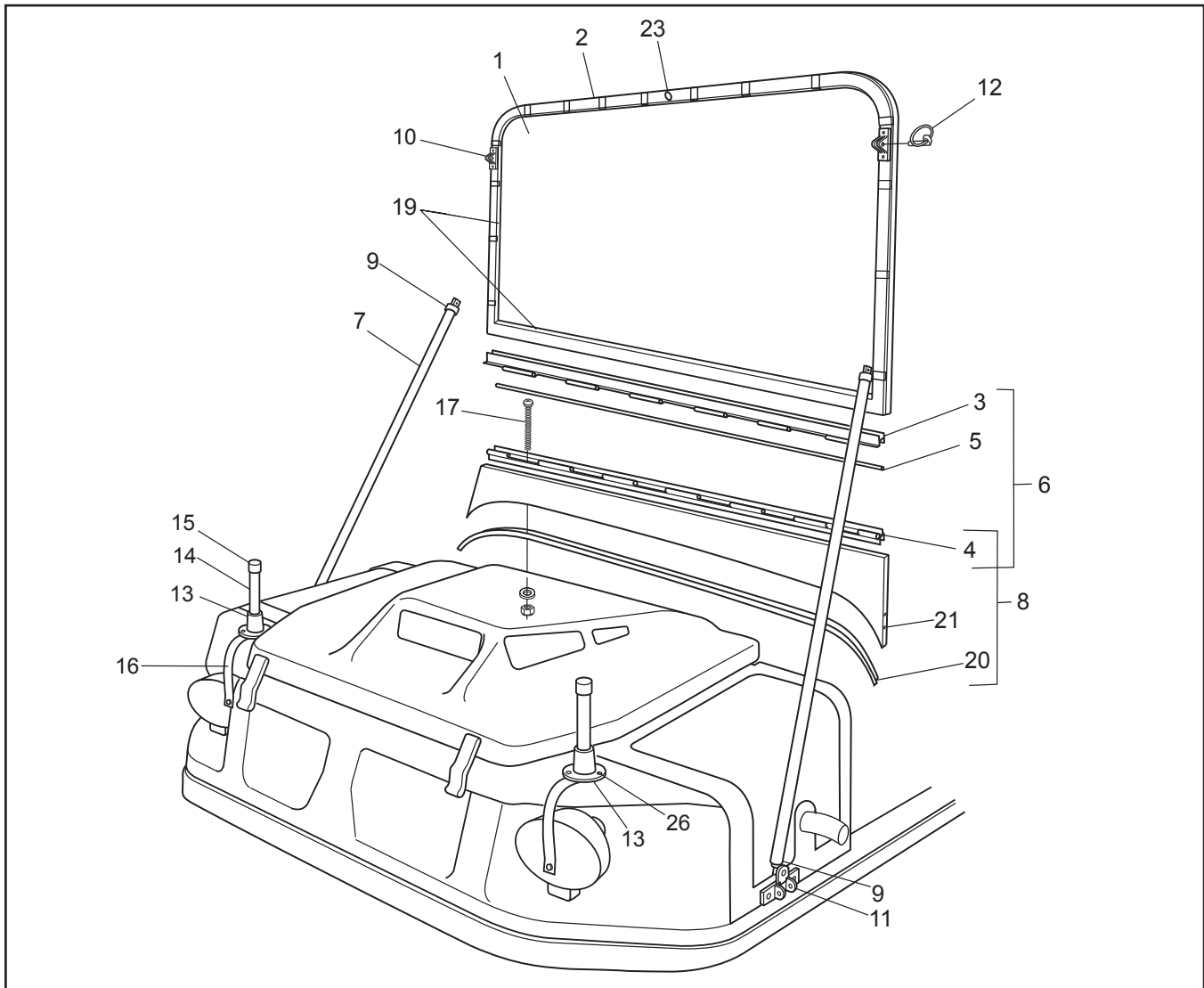


| Ref. | Qty. | Part # | Description |
|------|------|---------|---------------------------------------|
| 1 | 1 | 958-173 | Panel, Canvas - Front Roof |
| 2 | 1 | 958-174 | Panel, Canvas - RH FR Door |
| 3 | 1 | 958-175 | Panel, Canvas - LH FR Door |
| 4 | 1 | 958-176 | Panel, Canvas - 2P RR Window |
| 5 | 1 | 958-181 | Boot, Canvas - 2 Person |
| 6 | 1 | 958-183 | Frame, Main Pole |
| 7 | 1 | 958-184 | Frame, Front Roof Support Pole |
| 8 | 2 | 958-185 | Frame, Main Pole Support |
| 9 | 3 | 958-187 | Jaw Slide W/ Fasteners |
| 10 | 4 | 958-188 | Bracket, Nylon Convex Straight Tapped |

| Ref. | Qty. | Part # | Description |
|------|------|------------|---|
| 12 | 1 | 958-191HDW | XT Canv Encl - 2 Person Hardware |
| 13 | 25 | 627-02 | Dome Snaps-Clip, Windshield |
| 14 | 4 | 627-10 | Dome Stud #8 x 3/8" #688 |
| 15 | 30 | 958-144 | Dome, Blank |
| 16 | 30 | 120-20 | Rivet - 1/8 x 1/4 |
| 17 | 12 | 112-102 | Screw, Self Drill 12-14x3/4" |

958-192 Folding Windshield

14.0 Accessories

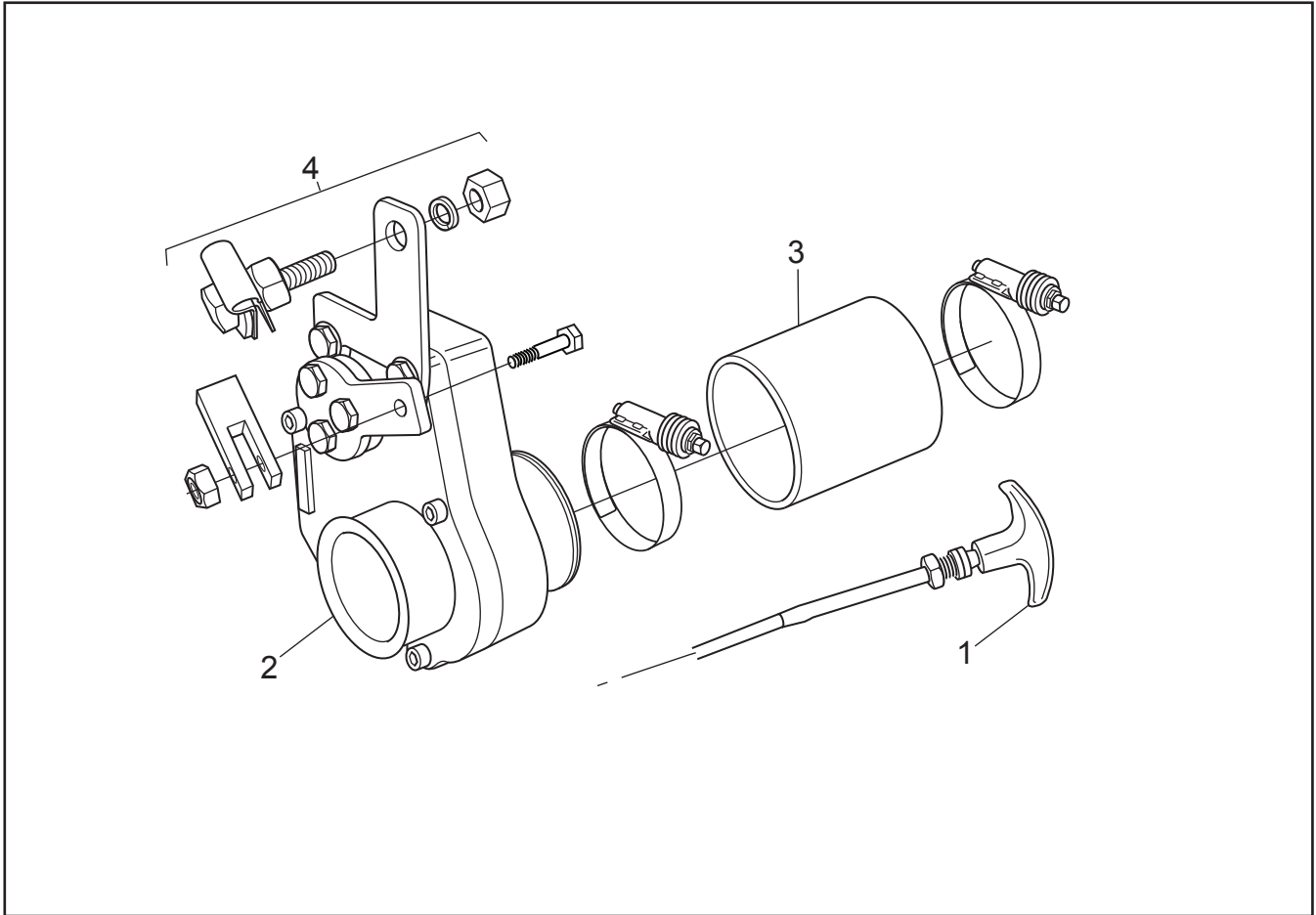


| Ref. | Qty. | Part # | Description |
|------|------|-----------------|---|
| 1 | 1 | 002905-1C-XT | Acrylic, For 958-192 Windshield |
| 2 | 1 | 002905-2B-XT | Top Bar - Black |
| 3 | 1 | 002905-3B-XT | Hinge, Top - Black |
| 4 | 1 | 002905-3A-B-XT | Hinge, Bottom+Gasket Inside |
| 5 | 1 | 002904-3B-B-XT | Rod, Aluminium |
| 6 | 1 | 002905-4B-XT | Hinge Set, Complete-Black (#3, 4 & 5) |
| 7 | 2 | 002904-5B | Arm, Support (Black) |
| 8 | 1 | 002905-6B-XT | Acrylic Base, Gasket and Bottom Hinge (#4 & 20) |
| 9 | 4 | 002904-7B | Socket Ends & Gasket (Black) |
| 10 | 2 | 002904-8A-B | Deck Brackets, Angled |
| 11 | 2 | 002904-8C-B-180 | Deck Bracket W/Screw 180 Deg. |
| 12 | 2 | 627-03 | Quik Pin 0269167 |

| Ref. | Qty. | Part # | Description |
|------|------|---------------|--|
| 13 | 2 | 002904-10B | Round Base Black |
| 14 | 2 | 002904-11B-XT | Tube, Black |
| 15 | 2 | 002904-12B | Cap, Black (PVC) |
| 16 | 2 | 002904-13B | Strap (Black) |
| 17 | 2 | 002905-14A-XT | Bolt, SS 3.0 + Washer + Nut |
| 18 | 2 | 002905-14B-XT | Bolt, SS 4.0 + Washer + Nut |
| 19 | 1 | 002904-15-XT | Gasket, XT - Around Glass |
| 20 | 1 | 002905-16-XT | Gasket, XT - Windshield to Body |
| 21 | 5 | 002904-17 | PHD Screw #8 1.25" |
| 22 | 11 | 002904-18 | PHD Screw #8 .75" |
| 23 | 1 | 002904-19 | Cap, Black (PVC) Wiper Hole |
| 24 | 2 | 0029-20-XT | Retainer, Support Arm |
| 25 | 6 | 2904-14A | Jack Nut same as 117-53 Nut, Jack 1/4-20 8L-JNS Zn |
| 26 | 6 | 112-102 | Screw, Self Drill 12-14 x 3/4" |

14.0 Accessories

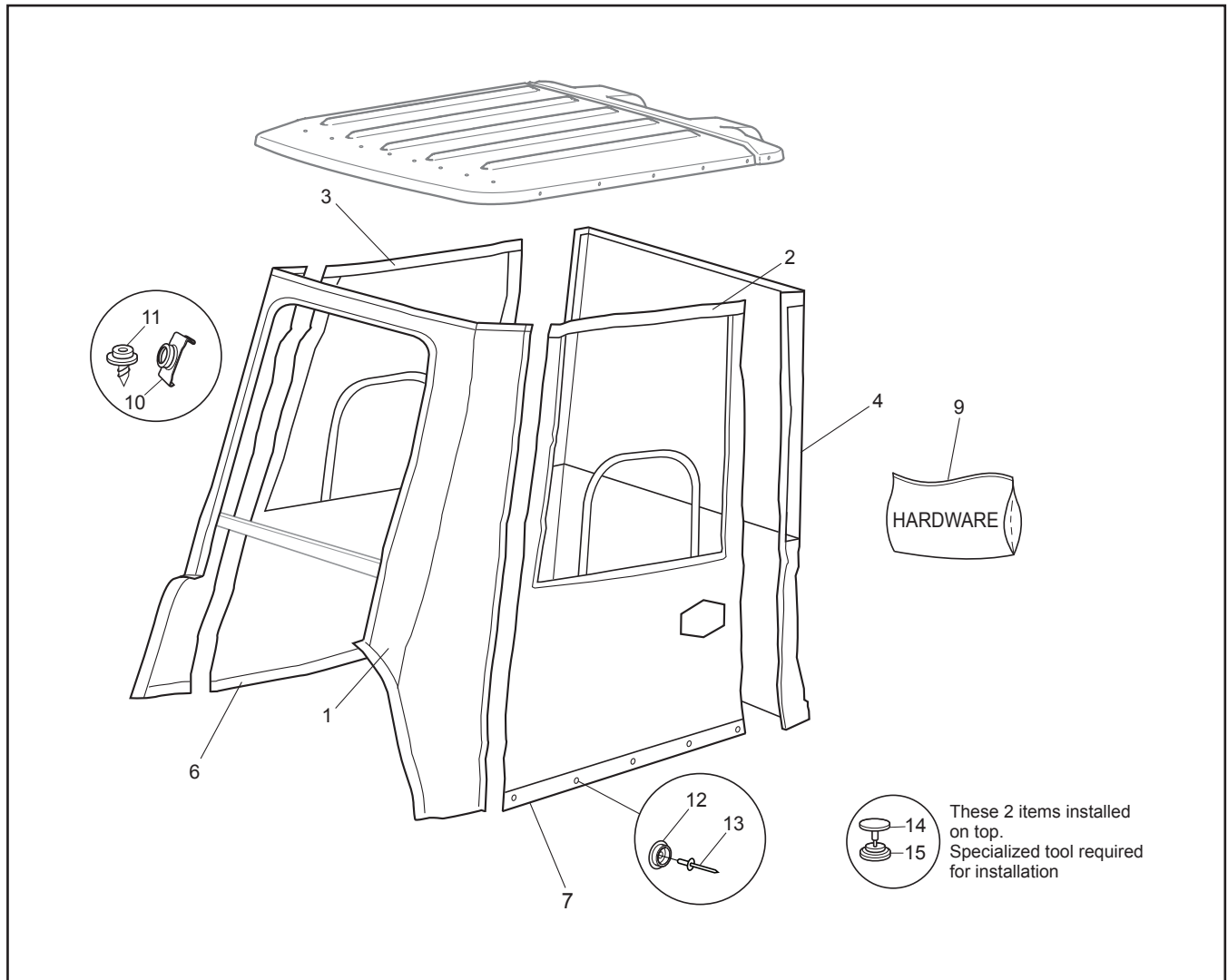
958-200 Emergency Shut Off



| Ref. | Qty. | Part # | Description |
|------|------|---------|------------------------------|
| 1 | 1 | 958-201 | Cable, Emergency Shutoff |
| 2 | 1 | 958-202 | Valve, Air Shutoff |
| 3 | 1 | 958-203 | Hose, Shutoff W/Clamps |
| 4 | 1 | 958-204 | Hardware, Shutoff Activation |

958-205 Two Person Canvas Enclosure

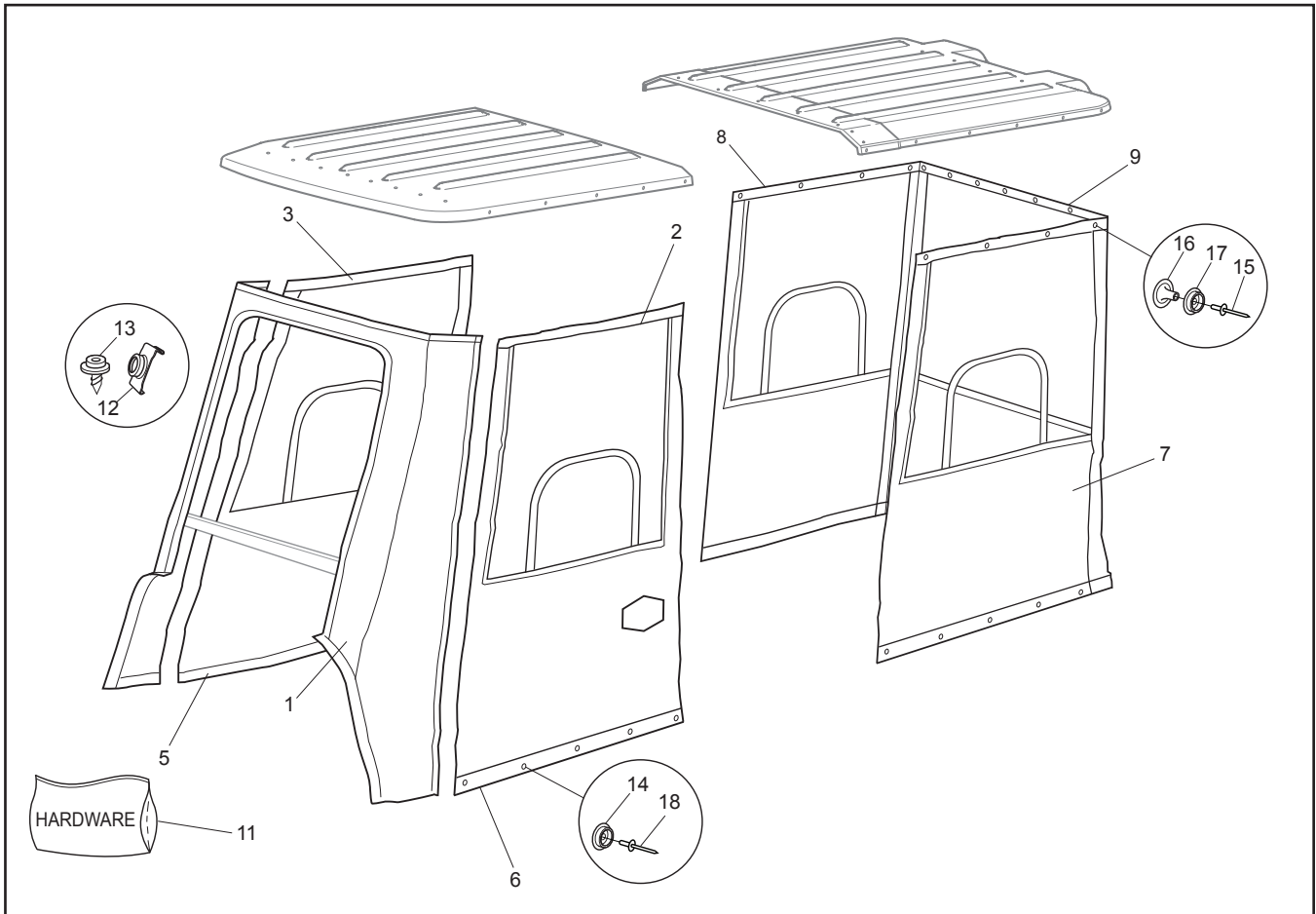
14.0 Accessories



| Ref. | Qty. | Part # | Description | Ref. | Qty. | Part # | Description |
|----------|----------|-------------------|---|------|------|---------|------------------------|
| 1 | 1 | 958-206 | Mlding, Front W/S - BI Canvas | 14 | 32 | 958-214 | Cap, Dome - Long Post |
| 2 | 1 | 958-207 | Panel, LH - BI Canvas | 15 | 32 | 958-213 | Dome, Blank - Locking |
| 3 | 1 | 958-208 | Panel, RH - BI Canvas | 16 | 24 | 120-33 | Rivet, 1/8 x 1/2 Black |
| 4 | 1 | 958-209 | Panel, RR W/Window - BI Canvas | | | | |
| 5 | 1 | 958-212 | Pouch, Parts - BI Canvas | | | | |
| 6 | 1 | 958-211 | Mlding, RH Bot - BI Canvas | | | | |
| 7 | 1 | 958-210 | Mlding, LH Bot - BI Canvas | | | | |
| 9 | 1 | 958-205HDW | Acc, 2 Person Encl - XT Hardware | | | | |
| 10 | 13 | 627-02 | Dome Snaps-Clip, Windshield | | | | |
| 11 | 8 | 627-10 | Dome Stud #8 x 3/8" #688 | | | | |
| 12 | 32 | 958-144 | Dome, Blank | | | | |
| 13 | 32 | 120-20 | Rivet - 1/8 x 1/4 | | | | |

14.0 Accessories

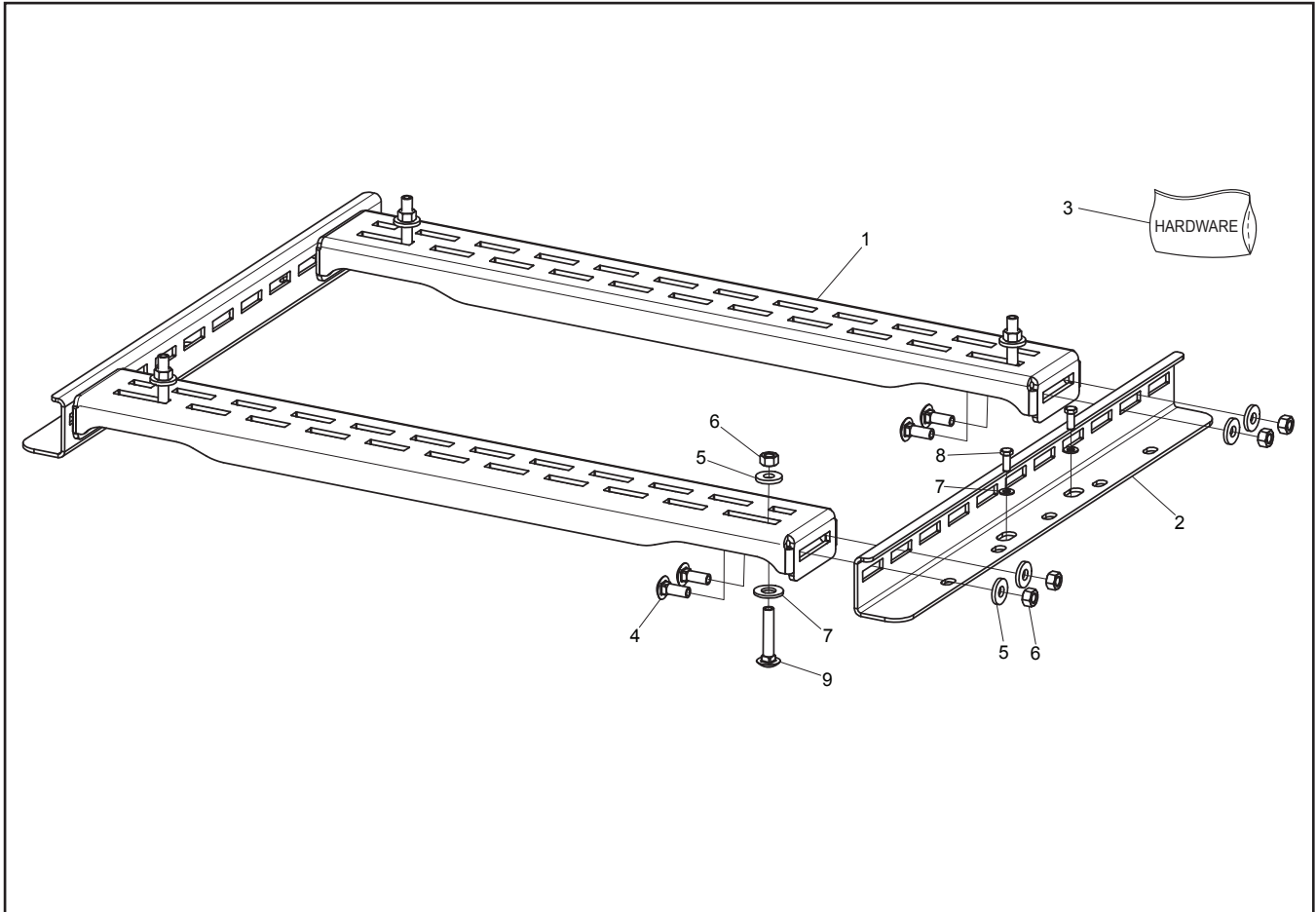
958-216 Four Person Enclosure



| Ref. | Qty. | Part # | Description |
|------|------|-------------------|---|
| 1 | 1 | 958-206 | Molding, Front W/S - BI Canvas |
| 2 | 1 | 958-207 | Panel, LH - BI Canvas |
| 3 | 1 | 958-208 | Panel, RH - BI Canvas |
| 4 | 1 | 958-212 | Pouch, Parts - BI Canvas |
| 5 | 1 | 958-211 | Molding, RH Bot - BI Canvas |
| 6 | 1 | 958-210 | Molding, LH Bot - BI Canvas |
| 7 | 1 | 958-218 | Panel, Rear LH - BI Canvas |
| 8 | 1 | 958-219 | Panel, Rear RH - BI Canvas |
| 9 | 1 | 958-220 | Panel, RR 4 Person - BL Canvas |
| 11 | 1 | 958-216HDW | Hardware, 4 Person Canvas Enclosure - XT includes: |
| 12 | 13 | 627-02 | Dome Snaps-Clip, Windshield |
| 13 | 8 | 627-10 | Dome Stud #8 x 3/8" #688 |
| 14 | 49 | 958-144 | Dome, Blank |
| 15 | 40 | 120-20 | Rivet - 1/8 x 1/4 |
| 16 | 40 | 958-214 | Cap, Dome - Long Post |
| 17 | 40 | 958-213 | Dome, Blank - Locking |
| 18 | 41 | 120-33 | Rivet, 1/8 x 1/2 Black |

959-01 Universal Mount

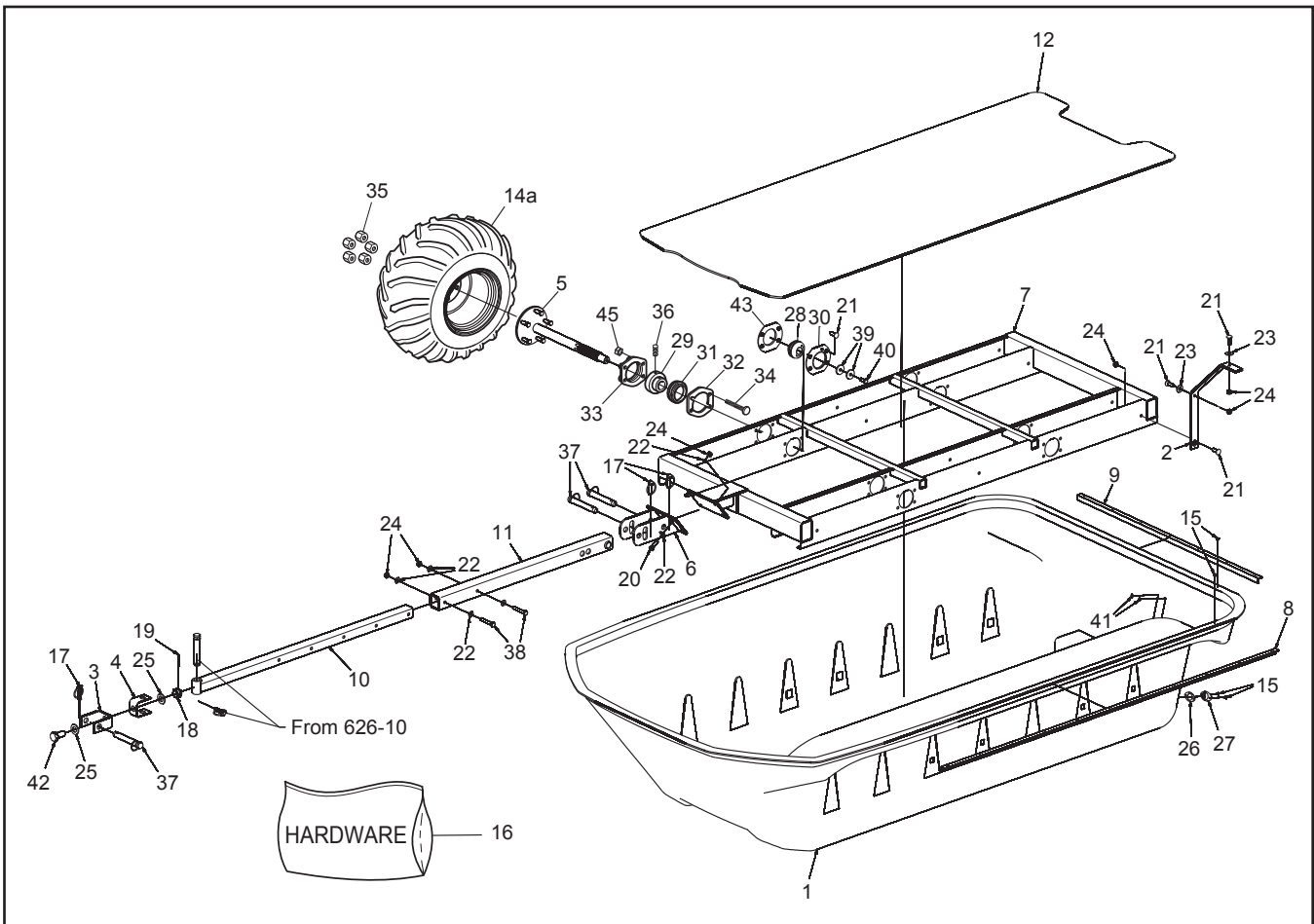
14.0 Accessories



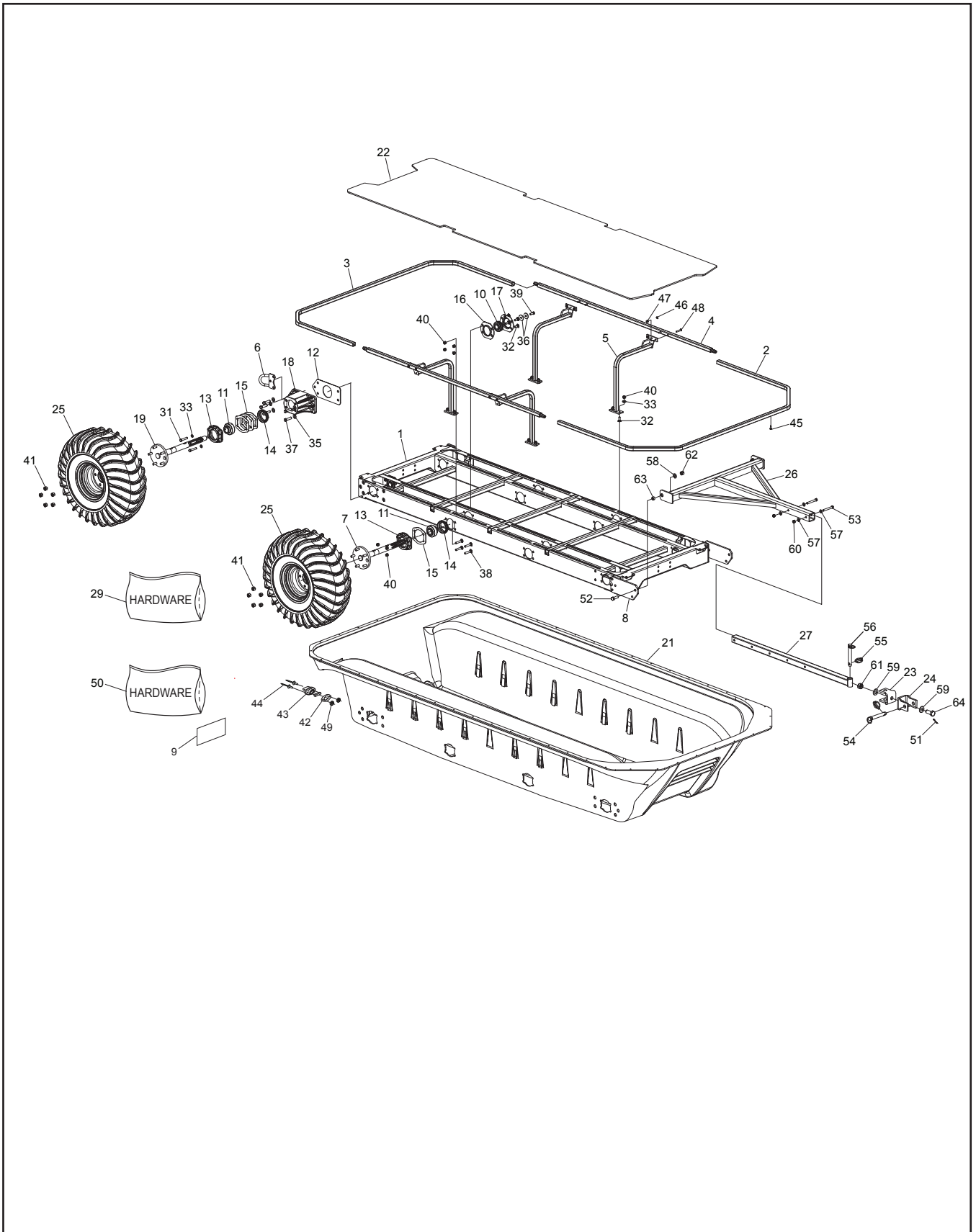
| Ref. | Qty. | Part # | Description |
|------|------|------------------|-------------------------------------|
| 1 | 2 | 959-05 | Wld, X-Mbr - Universal Mount XT |
| 2 | 2 | 959-03 | Asm, Rail - Universal Mount |
| 3 | 1 | 959-01HDW | Hardware, Universal Mount-XT |
| 4 | 12 | 103-88 | C/Bolt 3/8-16x1.0 Gr5 Zn |
| 5 | 12 | 108-47 | Washer .39x.94x.13 Zn Di-Chro |
| 6 | 12 | 117-15 | Nut, Fin Hex 3/8-16 Zn |
| 7 | 8 | 108-35 | Washer .53x1.06x.09 Zn |
| 8 | 4 | 112-189 | HHCS 1/2-13x1.25 Gr5 Zn |
| 9 | 4 | 112-187 | C/Bolt 3/8-16x2.0 Gr5 Zn |

14.0 Accessories

Amphibious Trailer



| Ref. | Qty. | Part # | Description | Ref. | Qty. | Part # | Description |
|------|------|-----------------|--|------|------|---------|----------------------------------|
| 1 | 1 | 603-99 | Body, Lower - Frontier (Vin. # required) | 21 | 34 | 103-88 | C/Bolt 3/8-16x1.0 Gr5 Zn |
| 2 | 6 | 695-16 | Support, Body | 22 | 24 | 108-15 | Washer .42x.81x.05 Zn |
| 3 | 1 | 695-64 | Bracket, Hitch | 23 | 12 | 108-35 | Washer .53x1.06x.09 Zn |
| 4 | 1 | 695-71 | Bracket, Tongue | 24 | 24 | 117-29 | Locknut, Nylon 3/8-16 Zn |
| 5 | 4 | 810-113 | Axle Ass'y - Mid HD | 25 | 2 | 108-53 | Washer .81x1.5x.12 Zn |
| 6 | 1 | 695-83 | Hitch Ass'y, Trailer | 26 | 2 | 100-114 | Gasket, Drain Plug + # 100-107 |
| 7 | 1 | 695-88 | Frame Ass'y, Trailer | 27 | 2 | 100-107 | Plug, Drain-Flanged + # 100-114 |
| 8 | 2 | 695-90 | Bracket, Side | 28 | 4 | 101-41 | Bearing, Ball - 1.0 (48 per box) |
| 9 | 1 | 695-91 | Bracket, Rear | 29 | 4 | 101-95 | Bearing, Ball -1.25 x 72mm |
| 10 | 1 | 695-93 | Tongue, Ass'y | 30 | 4 | 606-92 | Flange, Greaseable - 4 Hole HD |
| 11 | 1 | 695-96 | Tube Ass'y, Hitch | 31 | 4 | 606-89 | Carrier, Axle Bearing |
| 12 | 1 | 695-67 | Floor Pan, Trailer | 32 | 4 | 606-90 | Gasket, Flange - 72mm Brg |
| 13a | 2 | 127-182L | Tire, Argo 25 & Rim LH Ass'y | 33 | 4 | 606-88 | Flange Ass'y, Outer Bearing |
| 13b | 2 | 127-158L | Tire+Rim Ass'y, Argo-24, Left | 34 | 16 | 103-68 | HHCS 3/8-16x2.0 Gr5 Zn |
| 13c | 2 | 127-181L | Tire+Rim Assm, Heat, Left | 35 | 20 | 117-35 | Nut, Wheel 7/16-20 Zn |
| 14a | 2 | 127-182R | Tire, Argo 25 & Rim RH Ass'y | 36 | 8 | 112-200 | SHSS 5/16-24x5/16 Flat PT |
| 14b | 2 | 127-158R | Tire+Rim Ass'y, Argo-24, Right | 37 | 3 | 104-10 | Pin, Toplink - 3/4x3.75 |
| 14c | 2 | 127-180R | Tire+Rim Assm, Heat, Right | 38 | 2 | 103-53 | HHCS 3/8-16x3.0 Gr5 Zn |
| 15 | 33 | 120-13 | Rivet - 3/16 x 3/4 Black | 39 | 8 | 108-46 | Washer .40x1.37x.12 Hi-Carbon |
| 16 | 1 | V-Trailer-11HDW | Hardware, Trailer Kit | 40 | 4 | 112-31 | HHCS 3/8-16x1.0 2B Gr8 Zn |
| 17 | 3 | 104-11 | Pin, Lynch - Ring | 41 | 4 | 120-04 | Washer .19x.50x.08 Zn |
| 18 | 1 | 17-37 | Nut, Hex Slotted 3/4-10 Zn | 42 | 1 | 695-34 | Bolt, Swivel |
| 19 | 1 | 100-01 | Pin, Cotter 1/8x1.50 Zn | 43 | 4 | 606-91 | Flange, 4 Hole HD |
| 20 | 4 | 103-82 | HHCS 3/8-16x1.25 Gr5 Zn | 44 | 4 | 120-09 | Rivet - 3/16 x 1.0 Black |
| | | | | 45 | 32 | 117-118 | Locknut, Nylon 3/8-16 Flanged |



14.0 Accessories

8 Wheel Trailer

| Ref. | Qty. | Part # | Description | Ref. | Qty. | Part # | Description |
|-----------|----------|--------------------|--|-----------|----------|----------------|--------------------------------------|
| 1 | 1 | 695-100 | Frame Asm, 8 Wheel Trailer | 48 | 8 | 103-03 | PHMS 1/4-20x1.50 Zn |
| 2 | 1 | 695-104 | Frame, Upper Front - 8 Wheel Trailer | 49 | 4 | 120-04 | Washer .19x.50x.08 Zn |
| 3 | 1 | 695-105 | Frame, Upper Rear - 8 Wheel Trailer | 50 | 1 | L15-HDW | 8W Trailer Hardware includes: |
| 4 | 2 | 695-106 | Frame Asm, Upper Mid - 8 Wheel Trailer | 51 | 1 | 100-01 | Pin, Cotter 1/8x1.50 Zn |
| 5 | 4 | 695-109 | Supt Asm, Inr Side - 8 Wheel Trailer | 52 | 2 | 103-21 | HHCS 1/2-20x1.5 Gr5 Zn |
| 6 | 2 | 642-47 | Tie Down Bracket | 53 | 2 | 103-53 | HHCS 3/8-16X3.0 Gr 5 Full Thd |
| 7 | 4 | 810-113 | Axle ASM - Mid HD | 54 | 1 | 104-10 | Pin + Ring Asm |
| 8 | 2 | 657-17 | Bracket, Snowplow Mtg - Avg | 55 | 2 | 104-11 | Pin, Lynch - Ring |
| 9 | 1 | 127-273 | Plate, Serial Blank Double | 56 | 1 | 104-13 | Pin, Top Link |
| 10 | 8 | 101-41 | Bearing, Ball - 1.0 | 57 | 4 | 108-15 | Washer .42x.81x.05 Zn |
| 11 | 8 | 101-95 | Bearing, Ball -1.25 x 72mm | 58 | 2 | 108-35 | Washer .53x1.06x.09 Zn |
| 12 | 4 | 606-25 | Gasket, Bearing Extension | 59 | 2 | 108-53 | Washer .81x1.5x.12 Zn |
| 13 | 16 | 606-88 | Flange, Outer Bearing | 60 | 2 | 117-29 | Locknut, Nylon 3/8-16 Zn |
| 14 | 16 | 606-89 | Carrier, Axle Bearing | 61 | 1 | 117-37 | Nut, Hex Slotted 3/4-10 Zn |
| 15 | 32 | 606-90 | Gasket, Flange -72mm Brg | 62 | 2 | 117-57 | Locknut, Nyloc 1/2-20 Zn |
| 16 | 8 | 606-91 | Flange, 4-Hole Hd | 63 | 2 | 657-54 | Bushing |
| 17 | 8 | 606-92 | Flange, Greaseable - 4-Hole Hd | 64 | 1 | 695-121 | Bolt, Swivel 3/4-10 x 1.75 |
| 18 | 4 | 810-112 | Extension Asy, Bearing W/ Nuts | | | | |
| 19 | 4 | 810-92 | Axle, Asm - Front/Rear HD | | | | |
| 20 | 4 | 127-158L | Tire+Rim Asm, Argo-24, Left | | | | |
| 21 | 1 | 695-103 | Body, 8 Wheel Trailer | | | | |
| 22 | 1 | 695-118 | Panel, Floor - 8 Wheel Trailer | | | | |
| 23 | 1 | 695-119 | Bracket, Tongue - Thck | | | | |
| 24 | 1 | 695-120 | Bracket, Hitch - Thck | | | | |
| 25 | 4 | 127-158R | Tire+Rim Asm, Argo-24, Right | | | | |
| 26 | 1 | 695-114 | Hitch Assy - 8W Trailer | | | | |
| 27 | 1 | 695-93 | Tongue Asm | | | | |
| 29 | 1 | L15-FRM-HDW | 8W Trailer Frame Hardware | | | | |
| 31 | 16 | 103-68 | HHCS 3/8-16x2.0 Gr5 Zn | | | | |
| 32 | 40 | 103-88 | C/Bolt 3/8-16x1.0 Gr5 Zn | | | | |
| 33 | 24 | 108-06 | Lockwasher 3/8 Split-Ring Zn | | | | |
| 35 | 20 | 108-34 | Washer .47x.94x.06 Zn | | | | |
| 36 | 16 | 108-46 | Washer .40x1.37x.12 Hi-Carbon | | | | |
| 37 | 20 | 112-181 | HHCS 7/16-20x1.75 Gr5 Zn | | | | |
| 38 | 16 | 112-187 | C/Bolt 3/8-16x2.0 Gr5 Zn | | | | |
| 39 | 8 | 112-31 | HHCS 3/8-16x1.0 2B Gr8 Zn | | | | |
| 40 | 64 | 117-118 | Locknut, Nylon 3/8-16 Flanged | | | | |
| 41 | 40 | 117-35 | Nut, Wheel 7/16-20 Zn | | | | |
| 42 | 2 | 100-114 | Gasket, Drain Plug | | | | |
| 43 | 2 | 100-107 | Plug, Drain-Flanged | | | | |
| 44 | 4 | 120-13 | Rivet - 3/16 X 3/4 Black | | | | |
| 45 | 50 | 112-102 | Screw, Self Drill 12-14 x 3/4" | | | | |
| 46 | 16 | 108-08 | Washer .28x.62x.07 Zn | | | | |
| 47 | 8 | 117-27 | Locknut, Nylon 1/4-20 Zn | | | | |

ARGO Products Manufactured by:

Ontario Drive & Gear Limited

220 Bergey Court

New Hamburg, Ontario

Canada N3A 2J5

Phone: (519) 662-2840

Fax: (519) 662-2421

www.argoxtv.com

ODG *Dedicated to quality and performance*