

Argo 8x8
750 HDi

Argo 8x8
700 HD



Argo 8x8

PARTS MANUAL

From Serial # ...31412

Foreword

ODG has prepared this parts manual for the HDi model to assist both qualified mechanics and vehicle owners in ordering correct, quality replacement ARGO parts. For the most current parts manual visit our website at www.argoatv.com.

Proper and regular service, and replacing old, worn or broken parts with the correct ARGO replacement parts, are both essential to prolonging the life of the ARGO. Please refer to this parts manual and/or our website www.argoatv.com before ordering any replacement part.

All information contained in this HDi Parts Manual is based on the latest product specification available at time of printing. If your HDi differs from the specifications contained in this manual, check our website www.argoatv.com for the most current information.

ODG reserves the right to alter specifications on the HDi model at any time, without obligation or prior notification.

Reproduction of this HDi Parts Manual, in whole or in part, is prohibited without prior written permission from Ontario Drive & Gear Limited.

Vehicle Identification

HDi - Serial Nos. ...31412

Explanation of Parts Manual Format

Ref - Reference number between assembly diagram and component parts list

Part No. - Argo replacement part number for identification and re-ordering

Description - Part description for identification and re-ordering

Qty - Indicates the quantity of a part used in an assembly

ARGO 8x8 750 HDi

ARGO 8x8 700 HD



Using the Parts Manual

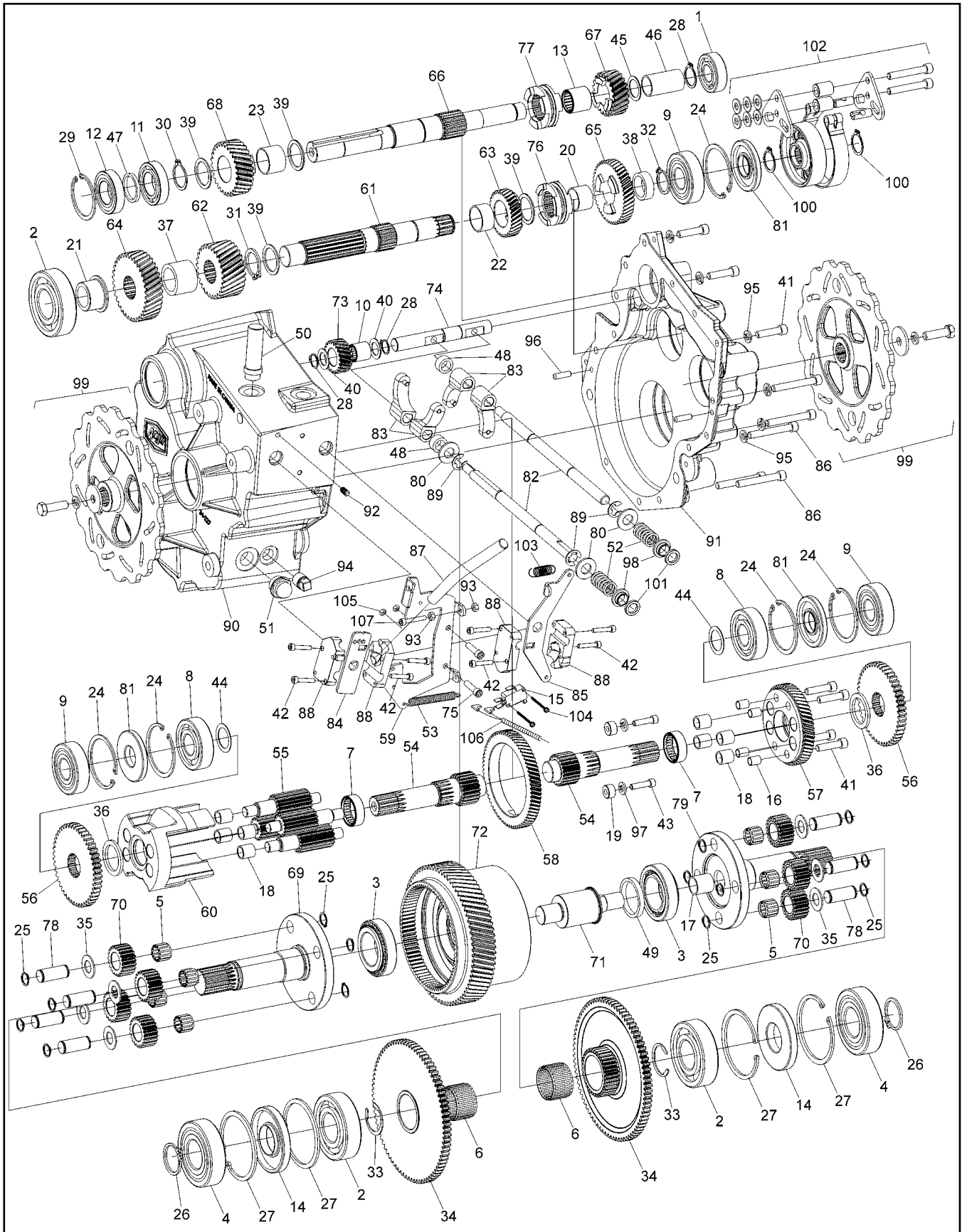
1. Find the major vehicle assembly in the Table of Contents on this page, and turn to that section.
2. Locate the part in the illustration that you wish to order.
3. Refer to the parts list in that section.
4. Find the correct part number (Part No.), part description (Description) and correct quantity (Qty).
5. Use *only* this information to order ARGO replacement parts. **DO NOT** attempt to order a replacement part by reference number or page number.

Table of Contents

Foreword	i
Vehicle Identification.....	i
Using the Parts Manual	ii
1.0 Transmission	1
2.0 Intake and Exhaust System.....	3
3.0 Clutch System	5
4.0 Power Pack Assembly	7
5.0 Steering & Brake System	9
6.0 Parking Brake	11
7.0 Vehicle Body & Firewall.....	13
8.0 Frame & Drive System	15
9.0 Fuel System & Seat Assembly	17
10.0 Electrical System.....	19

1.0 Transmission

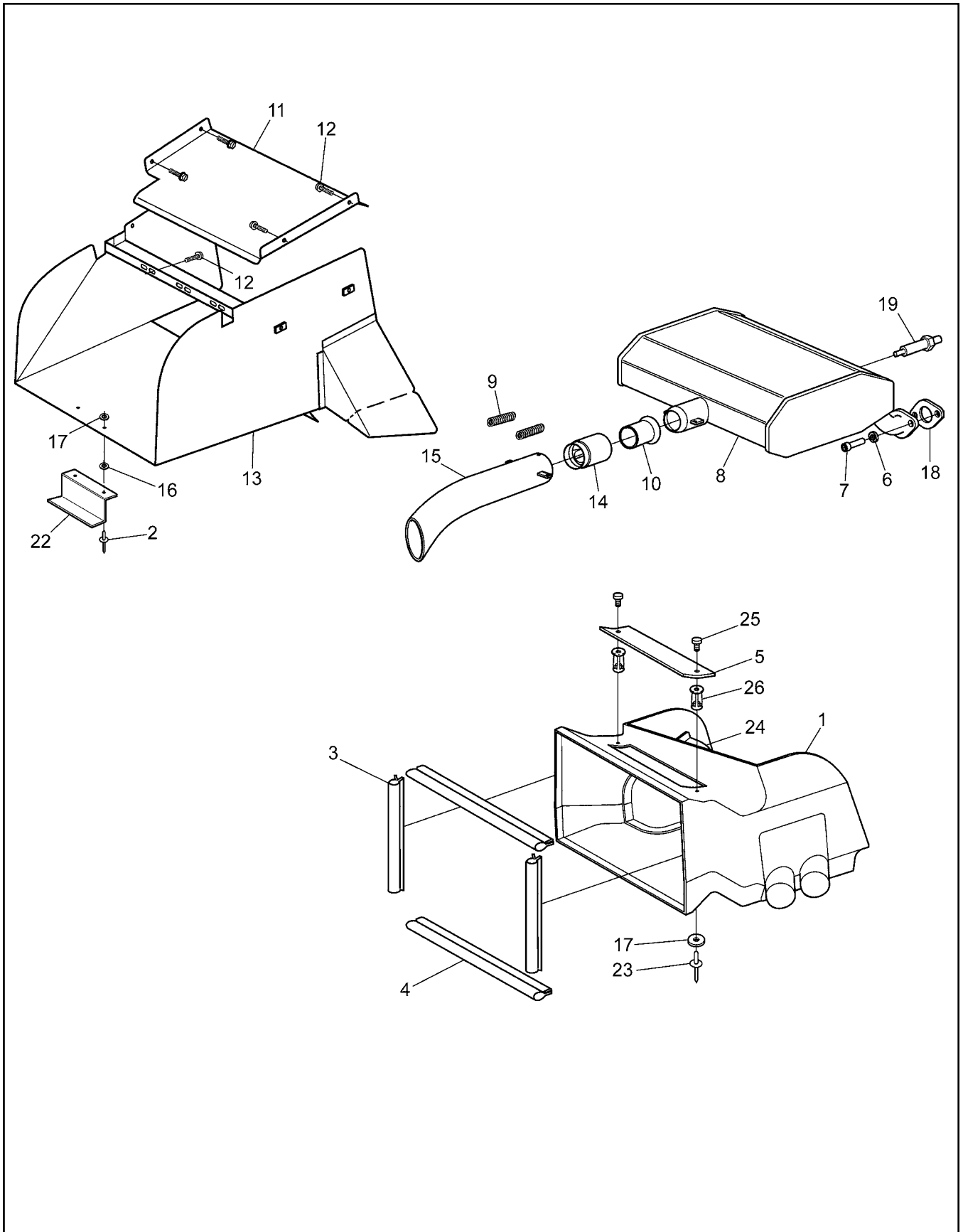
HDi/HD Parts Manual



HDi/HD Parts Manual

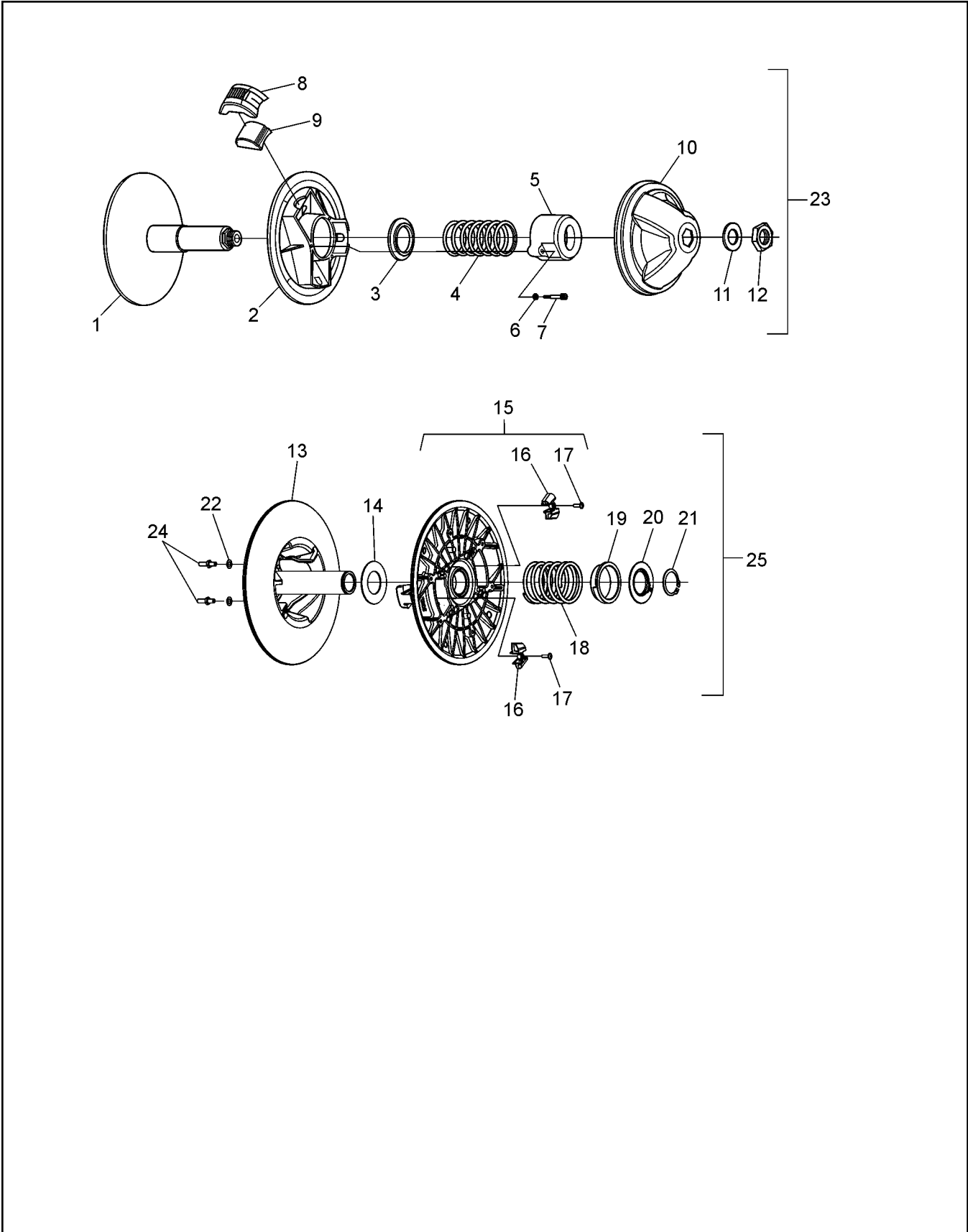
1.0 Transmission

Ref.	Qty.	Part #	Description	Ref.	Qty.	Part #	Description
	1	34-200-FG	Transmission Assembly	57	1	34-204	Gear, Helical - 55T
1	1	101-01	Bearing, Ball 6204Z-C3	58	1	34-205	Gear, Helical - 67T
2	3	101-73	Bearing, Ball 6307 CL.N.	59	1	34-241	Bracket, Switch, Spring Mount
3	2	101-76	Bearing, Tapered Roller 32008X	60	1	34-206	Cage, Differential
4	2	101-81	Bearing, Ball 6307 ZZE	61	1	34-208	Shaft, Idler
5	8	101-82	Bearing, Needle K15x21x17	62	1	34-209	Pinion, Helical - 27T
6	2	101-83	Bearing, Needle KJ37x42x27S	63	1	34-210	Pinion, Helical - 31T
7	2	101-84	Bearing, Needle HK3012	64	1	34-211	Gear, Helical - 35T
8	2	101-40	Bearing, Ball 6305 Open	65	1	34-212	Pinion, Helical - 45T
9	3	101-86	Bearing, Ball 6305 Zz	66	1	34-213	Shaft, Input
10	1	101-87	Bearing, Needle HMK20x27x25	67	1	34-214	Pinion, Reverse - 21T,12Dp
11	1	101-88	Bearing, Ball 60/28	68	1	34-215	Pinion, Forward - 27T,12Dp
12	1	101-89	Bearing, Ball 60/28 Llu	69	1	34-216	Shaft, Output
13	1	101-90	Bearing, Needle HK2220	70	8	34-217	Gear, Planet - 21T
14	2	102-33	Seal, Oil 35x80x10	71	1	34-218	Shaft, Planetary Stub
15	1	613-151	Switch, Micro, Roller Lever	72	1	34-219	Planetary Hub
16	4	105-23	Bushing, Dowel - .312 x .5	73	1	34-220	Pinion, Idler - 20T
17	1	105-26	Bushing, Oilite .75x.875x.875	74	1	34-221	Shaft, Shift - Reverse
18	8	105-27	Bushing, Oilite .5x.625x.625	75	2	112-47	SHCS 1/4-20 x 1.0 Zn
19	2	105-28	Bushing, Dowel .26x.625x.36	76	1	34-223	Collar, Shift, Hi-Low
20	1	105-29	Bushing, Oilite 1.0x1.125x.75	77	1	34-224	Collar, Shift, For-Rev
21	1	105-30	Bushing, Flanged 1x1.375	78	8	34-225	Pin, Planet Carrier
22	1	105-31	Bushing, Bronze 1.125x1.25x.625	79	1	34-226	Shaft, Output, Right
23	1	105-32	Bushing, Bronze 1.125x1.25x.875	80	3	108-35	Washer .53x1.06x.09 Zn
24	5	106-05	Retaining Ring HO-244-PA	81	3	102-37	Seal, Oil 25x62x7
25	16	106-22	Retaining Ring SH-0056-PA	82	2	34-231	Shaft, Shift - F-N-R
26	2	106-23	Retaining Ring SH-0137-PA	83	4	34-232	Fork, Shift - Half
27	4	106-24	Retaining Ring H0-312-PA	84	1	34-233	Plate, Detent
28	3	106-25	Retaining Ring SH-0078-PA	85	1	34-242	Bracket, Spring Mount
29	1	106-26	Retaining Ring H0-206-PA	86	8	112-18	SHCS 5/16x2.25
30	1	106-27	Retaining Ring SH-112-PA	87	1	34-235	Lever, Shaft - F-N-R
31	1	106-28	Retaining Ring SHR-0112-PA	88	4	34-236	Clamp, Lever Shaft
32	1	107-15	Retaining Ring SHR-98-PA	89	3	106-30	Retaining Ring E-0050 E
33	2	106-31	Retaining Ring C-0137	90	1	34-227	Housing, Admiral, Left (includes Ref. # 92)
34	2	34-207	Gear, Sun - 81T, 35T	91	1	34-228	Housing, Admiral, Right
35	8	108-93	Washer, .59x1.10x.06	92	1	34-258	Plunger, Ball - Nose Spring
36	2	108-94	Washer, Thrust 1.25x1.688x.125	93	4	117-92	Nut, Hex Machine #8-32 Zn
37	1	108-96	Spacer, 1.125x1.5x1.083	94	1	103-02	Plug, Magnetic 3/8-18Npt Sq.Hd
38	1	108-97	Spacer, 1.01x1.3x.409	95	11	108-05	Lockwasher 5/16 Split-Ring Zn
39	4	108-98	Washer, Thrust 1.13x1.46x.062	96	2	104-03	Pin, Dowel 1/4x7/8
40	2	108-99	Washer, Thrust .79x1.25 x .06	97	2	108-03	Lockwasher 1/4 Split Ring Zn
41	10	112-143	SHCS 5/16 x 1.25 Zn	98	2	105-33	Bushing, Flange
42	8	112-184	SHCS, 10-32 x 1	99			See Section 4.0 Power Pack
43	2	103-69	SHCS, 1/4-20 x 1.5 Zn	100	2	106-29	Retaining Ring SH-0093-PA
44	2	114-16	Washer, SHIM .99x1.375x.030	101	2	102-36	Seal, Shift Shaft - 0.5x.75x.125
45	1	114-17	Washer, Thrust .866x1.181x.039	102			See Section 6.0 Parking Brake
46	1	114-18	Spacer, .865x1.0x1.75	103	1	127-195	Spring, Ext., .75 x 2.73
47	1	114-19	Spacer, 1.12x1.375x.148	104	2	112-172	SHCS 5-40 x 3/4 Zn
48	2	114-21	Spacer, .51x.75x.36	105	2	112-173	Locknut, #5-40 Zn
49	1	114-22	Spacer, 1.585x1.75x.245	106	1	613-112	Wire Harness, Neutral Start
50	1	34-245	Plug, Fill/Vent 1/2 BSPP	107	2	112-195	SHCS 8-32 x 1.5 Stainless
51	1	34-251	Site Glass, 1/2 BSP Aluminum				
52	2	127-186	Spring, Comp. 0.70x1.28				
53	1	127-194	Spring, Ext .360x3.0				
54	2	34-201	Shaft, Brake				
55	4	34-202	Gear, Planet - 15T				
56	2	34-203	Pinion, Spur - 46T				



Ref.	Qty.	Part #	Description
1	1	809-03	Duct, Intake
2	2	120-13	Rivet, 3/16 x 3/4 - Black
3	2	809-05	Seal, Radiator - 10.25" LG
4	2	809-06	Seal, Radiator - 16.25" LG
5	1	601-111	Cover Plate, Intake Duct
6	4	108-05	Lockwasher 5/16 Split Ring Zn
7	4	112-30	SHCS M8 x 1,25 x 20mm Zn
8	1	607-142	Muffler Ass'y, Kohler 750 EFI
8a	1	607-143	Muffler Ass'y, Kohler 700
9	2	127-187	Spring, Extension - 17/32 x 3.75
10	1	607-135	Tube, Muffler, Flared x 2.0
11	1	607-168	Shield, Heat - Muffler, Avg
12	7	112-19	Screw, IHWH T/C Slot 1/4-20 x 1/2
13	1	607-167	Duct, Exhaust, Avenger
14	1	607-171	Spark Arrestor, ODG
15	1	607-166	Pipe, Tail - Ass'y 8.00
16	2	125-58	Washer, Fibre - W-77F
17	12	120-04	Washer, .19 x .50 x .08 Zn
18	2	24 041 49	Gasket, Exhaust Manifold
19	1		See Section 4.0 Power Pack Assembly
22	1	607-170	Support, Exhaust Duct - Avenger
23	13	120-09	Rivet, 3/16 x 1.0 Black
24	1	809-04	Shroud, Intake Duct
25	2	117-89	Thumbscrew, 1/4-20 x 1, Nylon
26	2	117-53	Nut, Jack 1/4-20 8L-Jns Zn

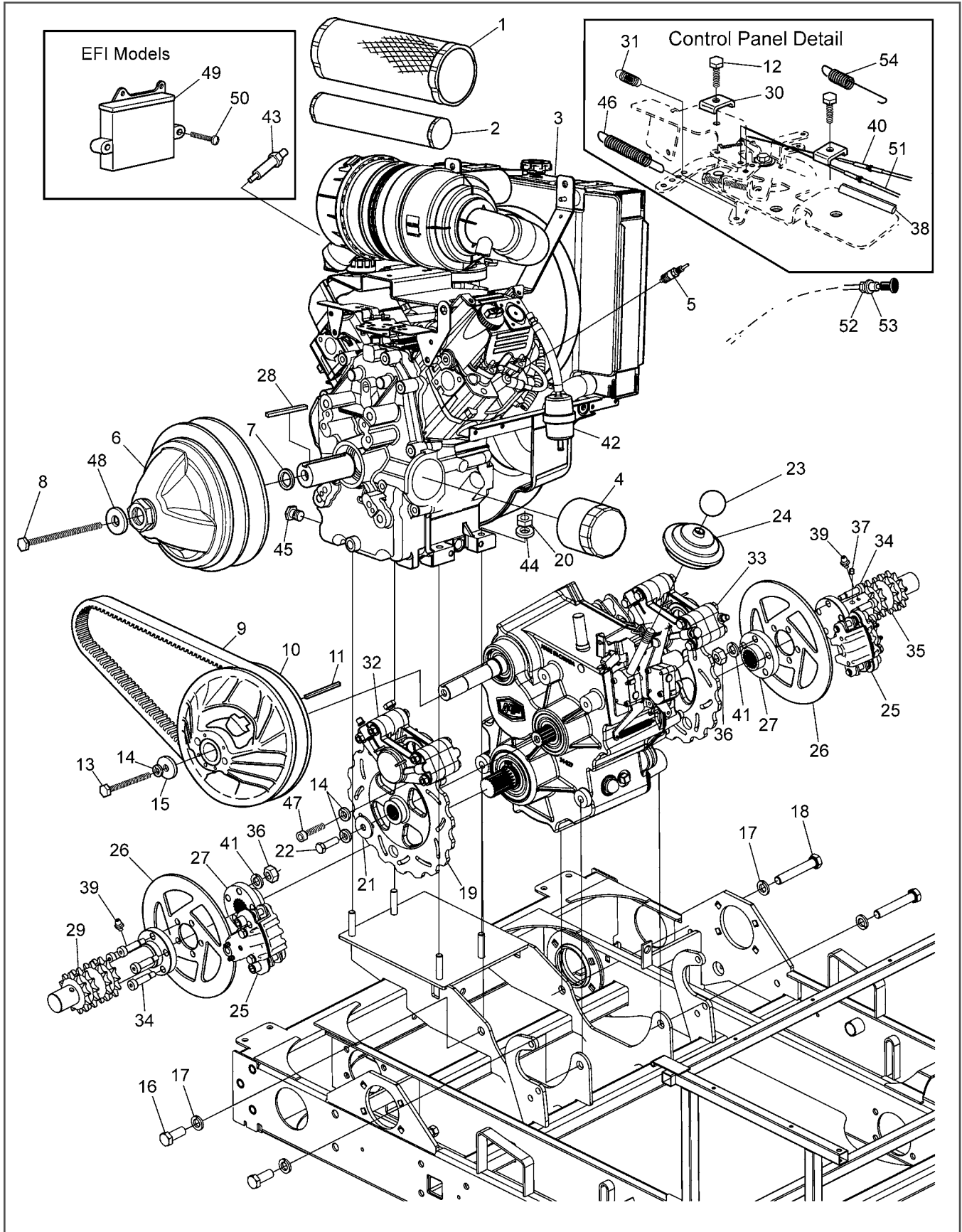
3.0 Clutch System



Ref.	Qty.	Part #	Description
1	1	0405-0075	Flange, Fixed
2	1	0410-0026	Flange, Sliding
3	1	0150-1014	Spring Guide Washer
4	1	0451-1114	Spring
5	1	0440-0005	Spring Cover
6	3	0080-0167	Lockwasher
7	3	0080-0021	Screw, Cap
8	3	0130-3012	Block
9	3	0135-3062	Weight (240gr) - EFI Model
	3	0135-3065	Weight (275gr) - 700 Models
	1	127-208	Weight Set (3), 185g - High Elevation
	1	127-209	Weight Set (3), 220g - High Elevation
	1	127-210	Weight Set (3), 240g - High Elevation
10	1	0115-0047	Cap
11	1	0080-0153	Washer, Zn
12	1	0080-0100	Nut
13	1	5905-0003	Flange, Fixed
14	1	0080-0164	Washer, Shim
15	1	5910-0002	Flange, Sliding
16	3	5930-3001	Cam Shoe
17	2	0080-0031	Screw
18	1	5951-1009	Spring
19	1	5950-3003	Spring Protector
20	1	5950-3002	Spring Support
21	1	0080-0216	Retaining Ring, Outside
22	2	0080-0167	Lockwasher
23	1	127-157	Clutch, Driver - EFI Models
	1	127-135	Clutch, Driver - 700 Models
24	2	0080-0035	Screw & Nut Ass'y
25	1	127-156	Clutch, Driven - INVANCE

4.0 Power Pack Assembly

HDi/HD Parts Manual



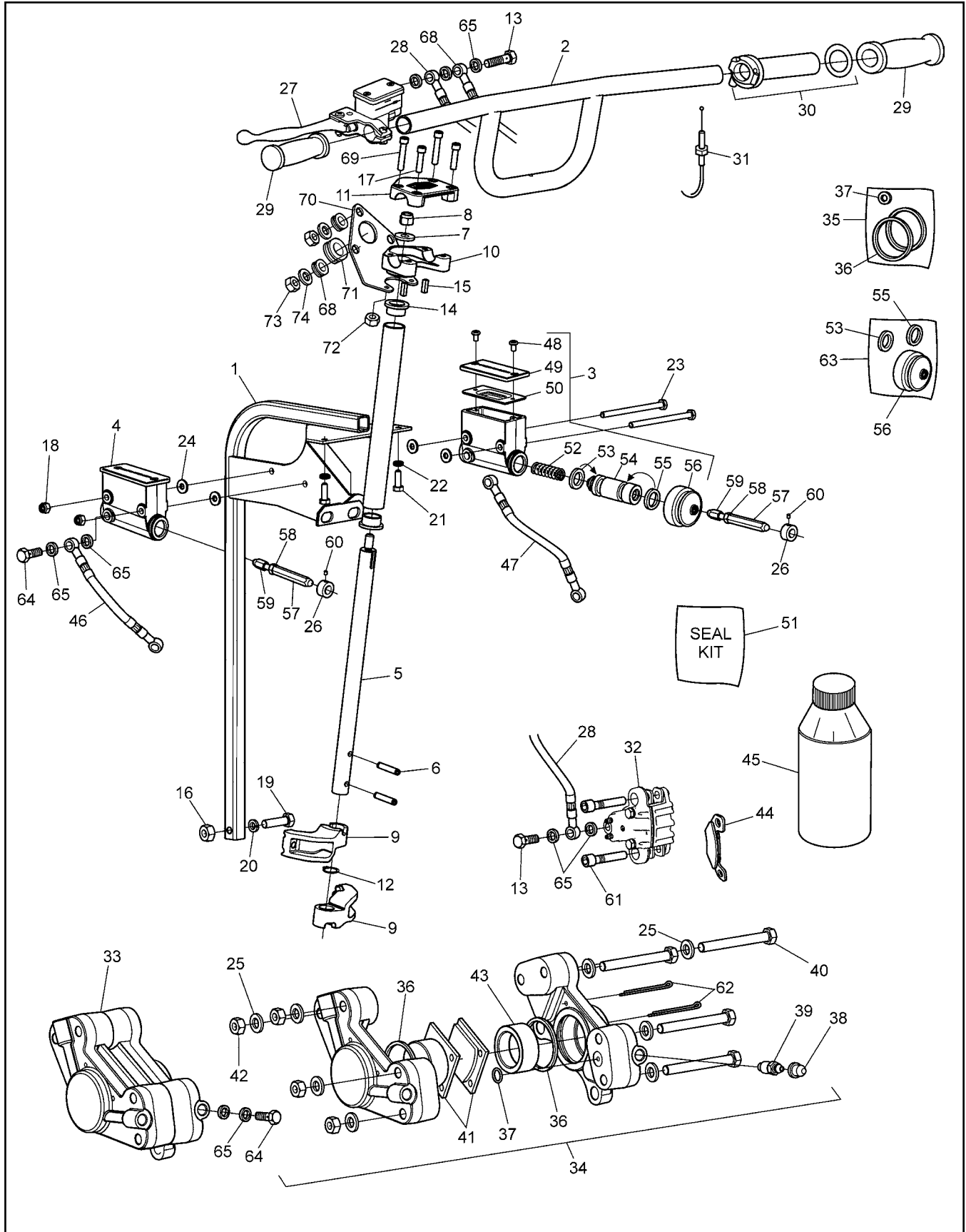
HDi/HD Parts Manual

4.0 Power Pack Assembly

Ref.	Qty.	Part #	Description	Ref.	Qty.	Part #	Description
1	1	25 083 01	Filter, Air	32			See Section 5.0 Steering & Brake System
2	1	25 083 04	Element, Inner	33			
3	1	LH775-3012	Kohler 31 HP Engine, EFI				See Section 5.0 Steering & Brake System
	1	LH690-3017	Kohler 26 HP Engine				
	1	LH775-3012-CA	Kohler 31 HP Engine, EFI (for California)	34	10	112-188	Bolt, Shoulder M10 x 30
4	1	12 050 01	Filter, Oil	35	1	810-98	Shaft, Output - Ass'y Short
5		127-193	Sparkplug, RC14YC	36	10	117-77	Locknut, Nylon - M8 x 1,25mm Zn8
6			See Section 3.0 Clutch System	37	1	613-127	Magnet, Speedometer
7	1	108-84	Washer, Engine Clutch	38	1	607-172	Sleeve, Thermo Protect 1/2" ID
8	1	112-160	HHCS, 7/16-20 x 4.50" Lg	39	2	100-127	Fitting, Grease STR 1/4-28 TPR (From S.N. 31096)
9	1	127-137	Drive Belt - 10.5" Cen. Dist	40	1	612-116	Cable Asm., Throttle
	1	127-137HD	Drive Belt - Avg/HDi Heavy Duty (Opt.)	41	10	108-05	Lockwasher 5/16 Split-Ring Zn
10			See Section 3.0 Clutch System	42	1	125-64	Filter, Fuel
11	1	110-03	Key 1/4 x 3/16 x 2.375 RC46	43	1	24 418 05	Sensor, Oxygen
12	1	M-545016	Screw, Clamp Cable (Kohler #)	44	4	108-26	Washer, .43 x 1.02 x .09 Zn
13	1	112-164	HHCS 3/8-16 x 3.5 Gr5 Zn	45		112-156	Plug, Oil Drain 3/8-18 NPT Hex
14	8	108-06	Lockwasher 3/8 Split Ring Zn	46	1	24 089 46	Spring, Governor (Kohler #)
15	1	108-46	Washer .40 x 1.37 x 1.2 Hi-Carbon	47	4	103-41	SHCS 3/8-16x1.25 Zn
16	2	112-189	HHCS 1/2-13 x 1.25 Gr5 Zn	48	1	108-58	Washer, .47 x 1.37 x 12 Hi-Carbon
17	4	108-07	Lockwasher 1/2 Split Ring Zn	49	1	66 584 05	ECU (c/w engine)
18	2	112-190	HHCS 1/2-13 x 3.0 Gr5 Zn	50	2	112-161	PHMS, 10-24 x 2.5
19	2	165-22	Disc, Brake - Admiral	51	1	612-92	Cable Ass'y, Choke
20	4	117-29	Locknut, Nylon 3/8-16 Zn	52	1	117-68	Nut, Jam 3/8-24 UNF Zn
21	2	108-18	Washer .40 x 1.37 x .12 Zn	53	1	108-32	Lockwasher 3/8 Int. Tooth
22	2	103-18	HHCS 3/8-24 x 1.25 Gr5 Zn	54	1	127-49	Spring, Extension
23	1	127-189	Knob, 1.58" Dia. x 1/2-13				
24	1	609-44	Boot, F-N-R Shifter				
25			See Section 5.0 Steering & Brake System				
26	2	165-25	Disc, Brake, Service				
27	2	34-239	Coupler, Output Shaft				
28	1	110-18	Key 1/4 x 1/4 x 1.75				
29	1	810-99	Shaft, Output Ass'y, Long				
30	1	12 237 01	Clamp, Cable (Kohler #)				
31	1	24 089 51	Spring, Throttle (Kohler #)				

5.0 Steering & Brake System

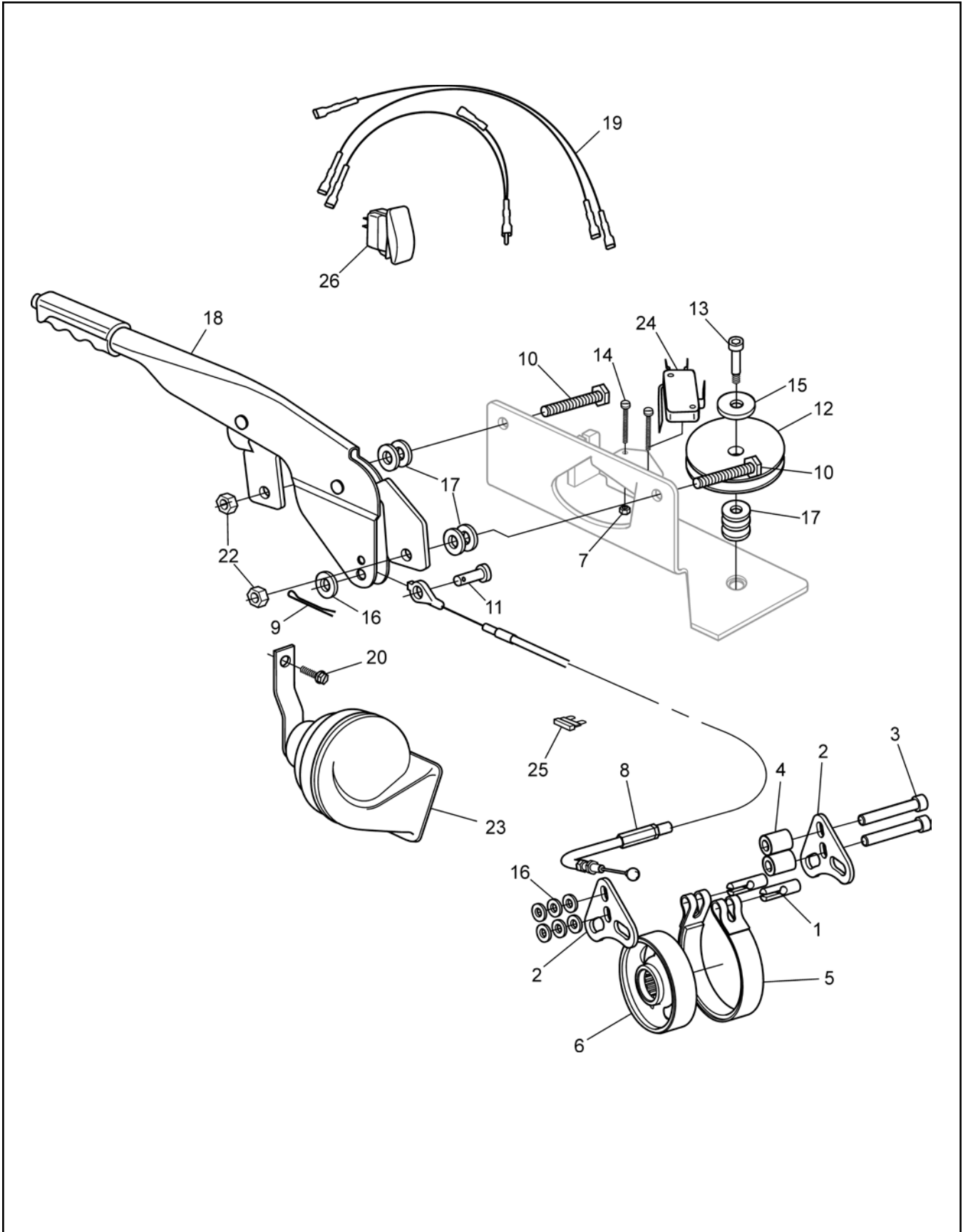
HDi/HD Parts Manual



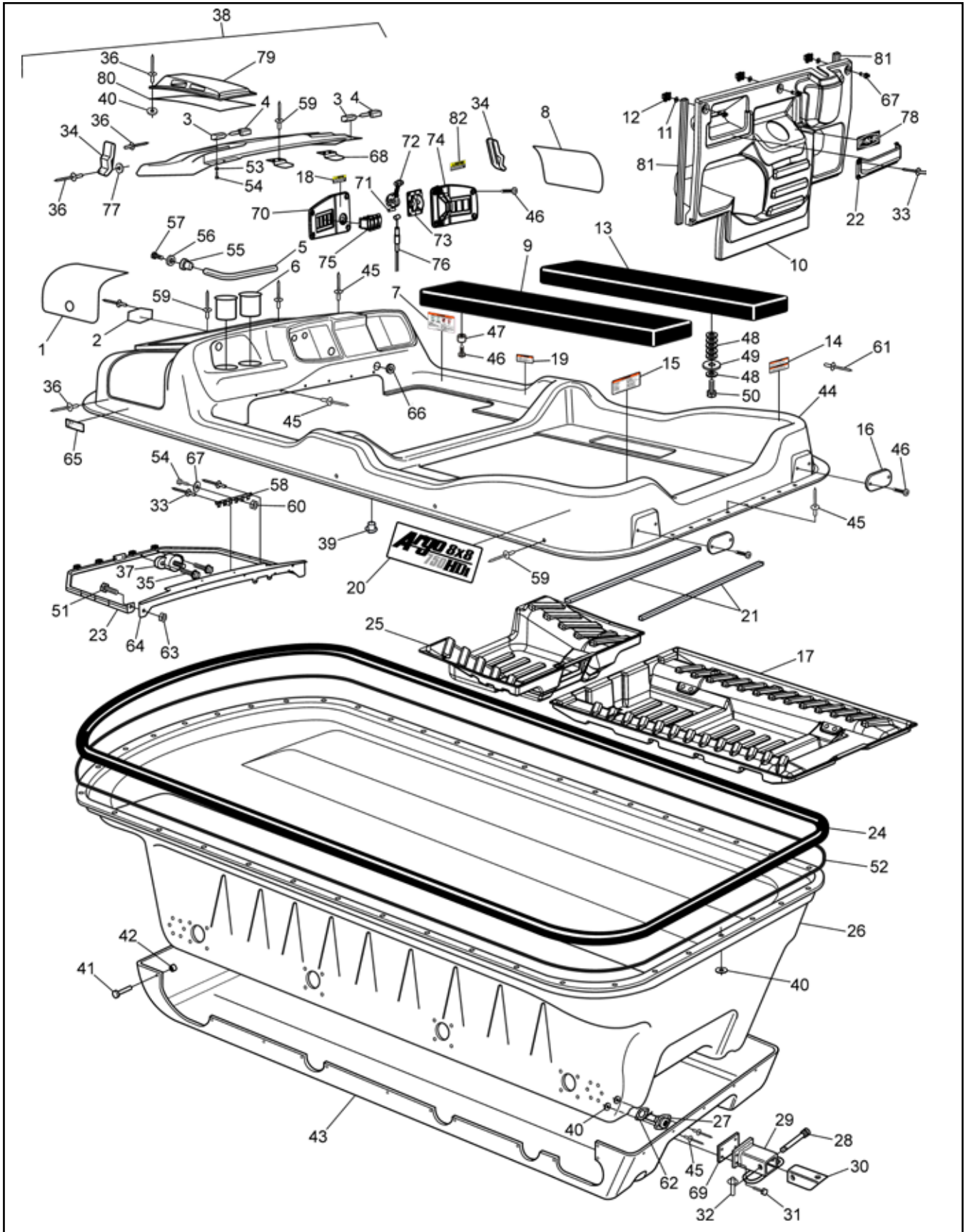
Ref.	Qty.	Part #	Description	Ref.	Qty.	Part #	Description
1	1	612-133	Frame Ass'y- Steering Column HDi	45		126-19	Fluid, Brake-Silicon Dot 5 - .35L
2	1	612-107	Handlebar Assembly	46	1	163-05	Hose Asm, Hydraulic - Left
3	1	165-08	Master Cylinder, Grimeca - R	47	1	163-06	Hose Asm, Hydraulic - Right - SS
4	1	165-07	Master Cylinder, Grimeca - L	48	2x2	160-42	Screw, FHMS M5 x 0,8 x 6mm
5	1	612-128	Shaft, Steering - Avenger	49	2x1	168-08	Cover
6	2	104-42	Pin, Spring 1/4 x 1.5"	50	2x1	168-09	Cover, Rubber
7	1	108-47	Washer, .39 x .94 x .13 Zn Di-chr	51	1	165-37	Piston Seal Kit - Wilwood
8	1	117-29	Locknut, Nylon 3/8-16 Zn	52	2x1	162-08	Spring, Comp. 17.3 x 49.3mm
9	2	612-124	Arm, Steering	53	2x1		Seal, Primary, 19mm (See Ref. 63)
10	1	612-106	Clamp, Lower Handlebar	54	2x1	168-10	Piston 19mm dia.
11	1	612-105	Clamp, Upper Handlebar	55	2x1		Seal, Secondary, 19mm (See Ref. 63)
12	1	106-07	Ring, Retaining SH-0075PA	56	2x1		Boot, Rubber (See Ref. 63)
13	2	112-194	Bolt, Banjo, M10x1.0, Double	57	2	812-30	Pin, Female
14	2	105-16	Bushing, Oilite - 3/4 x 1/2	58	2	117-03	Nut, Fin Hex 1/4-20 Zn
15	2	110-17	Key, 3/16 x 3/16 x .625	59	2	812-31	Fin, Male
16	1	117-21	Locknut, Nylon 5/16-18 Zn	60	2	112-02	SHSS 10-24x1/4 Knurl Cup PT, PL
17	2	112-47	SHCS, 1/4-20 x 1.0 Zn	61	4	165-38	Caliper Pin, Service Brake HDi
18	2	117-27	Locknut, Nylon 1/4-20 Zn	62	2x2	168-07	Pin, Cotter 1/8 x 3.00 Zn
19	1	112-155	C/Bolt 5/16-18x1.25 Gr2 Zn	63	2x1	161-25	O-Ring Kit - Master Cylinder - Grimeca (incl. Ref. 53, 55 & 56)
20	1	108-24	Washer, .34 x .70 x .06 Zn	64	4	160-44	Bolt, Banjo - M10 x 1,0 x 21,0
21	2	112-04	HHCS 1/4-20 x 3/4 Gr2 Zn	65	13	160-01	Washer, Copper - 1,5 x 10,0 x 14,0
22	2	108-03	Lockwasher 1/4 Split Ring Zn	68	1	165-35	Brake Line, Driver Side
23	2	103-66	HHCS, 1/4-20 x 4.0 Gr5 Zn	69	2	103-69	SHCS 1/4-20 x 1.5 Zn
24	4	108-08	Washer, .28 x .62 x .04 Zn	70	1	612-132	Bracket, LCD Gauge - Painted
25	2x8	108-24	Washer, .34 x .70 x .06 Zn	71	1	128-27	Grommet 1-1/4ID x 1-1/2x3/32
26	2	812-17	Collar	72	2	117-86	Nut, Acorn, 1/4-20 Zn
27	1	165-31	Handbrake, Left Hydraulic	73	3	117-85	Nut, Acorn, M5 Zn
28	1	165-34	Brake Line, Passenger Side	74	3	120-04	Washer .19 x .50 x.08 Zn
29	2	127-35	Grip, Molded				
30	1	127-81	Throttle Twist Grip				
31	1	612-116	Cable Asm., Throttle				
32	2	165-32	Caliper, Service (does not include Ref. 61)				
33	1	166-10	Caliper, Hydraulic Brake - L w/o pads				
34	1	166-11	Caliper, Hydraulic Brake - R w/o pads				
35	2	161-05	O-ring Kit, Knott Caliper				
36	2		Seal, Piston				
37	2		Seal, Rubber				
38	2x1	168-20	Plug, Rubber				
39	2x1	168-02	Screw, Bleeding, Knott Caliper				
40	2x4	112-154	SHCS, 5/16-18 x 2.75 Zn				
41	1	170-03	Pad Set (4), Brake - Non-Asbestos				
42	2x4	117-03	Nut, Fin Hex 5/16-18 Zn				
43	2x2	168-01	Piston, Knott Caliper				
44	1	165-36	Brake Pad (4) Replacement - Kit				

6.0 Parking Brake

HDi/HD Parts Manual



Ref.	Qty.	Part #	Description
1	3	104-57	Pin, Slotted .375 x 1.25
2	2	165-27	Bracket, E-Brake
3	2	112-185	SHCS 5/16 x 2.0 Zn
4	2	114-23	Spacer, .34 x .63 x .80
5	1	165-28	Band, Brake
6	1	34-243	Drum, E-Brake
7	2	112-173	Locknut, #5-40, Zn
8	1	165-33	Cable, Parking Brake - HDi
9	1	100-100	Pin, Cotter 1/8x3/4 Zn
10	2	103-06	HHCS 5/16-18x1.0 Gr5 Zn
11	1	104-27	Pin, Clevis 5/16x.75" Zn
12	1	850-79	Pulley, Parking Brake Cable
13	1	112-178	Bolt, Shoulder, 1/2 x 5/8
14	2	112-172	SHCS 5-40 x 3/4 Zn
15	1	108-35	Washer .53 x 1.06 x .09 Zn
16	6	108-24	Washer .34x.70x.06 Zn
17	7	108-47	Washer .39x.94x.13 Zn Di-Chro
18	1	809-147	Lever, Parking Brake
19	1	848-176	Harness, Horn Momentary*
20	1	112-19	Screw,IHWH T/C Slot 1/4-20x1/2*
22	6	117-21	Locknut, Nylon 5/16-18 Zn
23	1	848-87	Horn, Electric*
24	1	613-120	Switch, Micro, Lever
25	1	118-52	Fuse, 10A 2-Prong (AT010)*
26	1	848-175	Switch, Horn Momentary*
			*If equipped



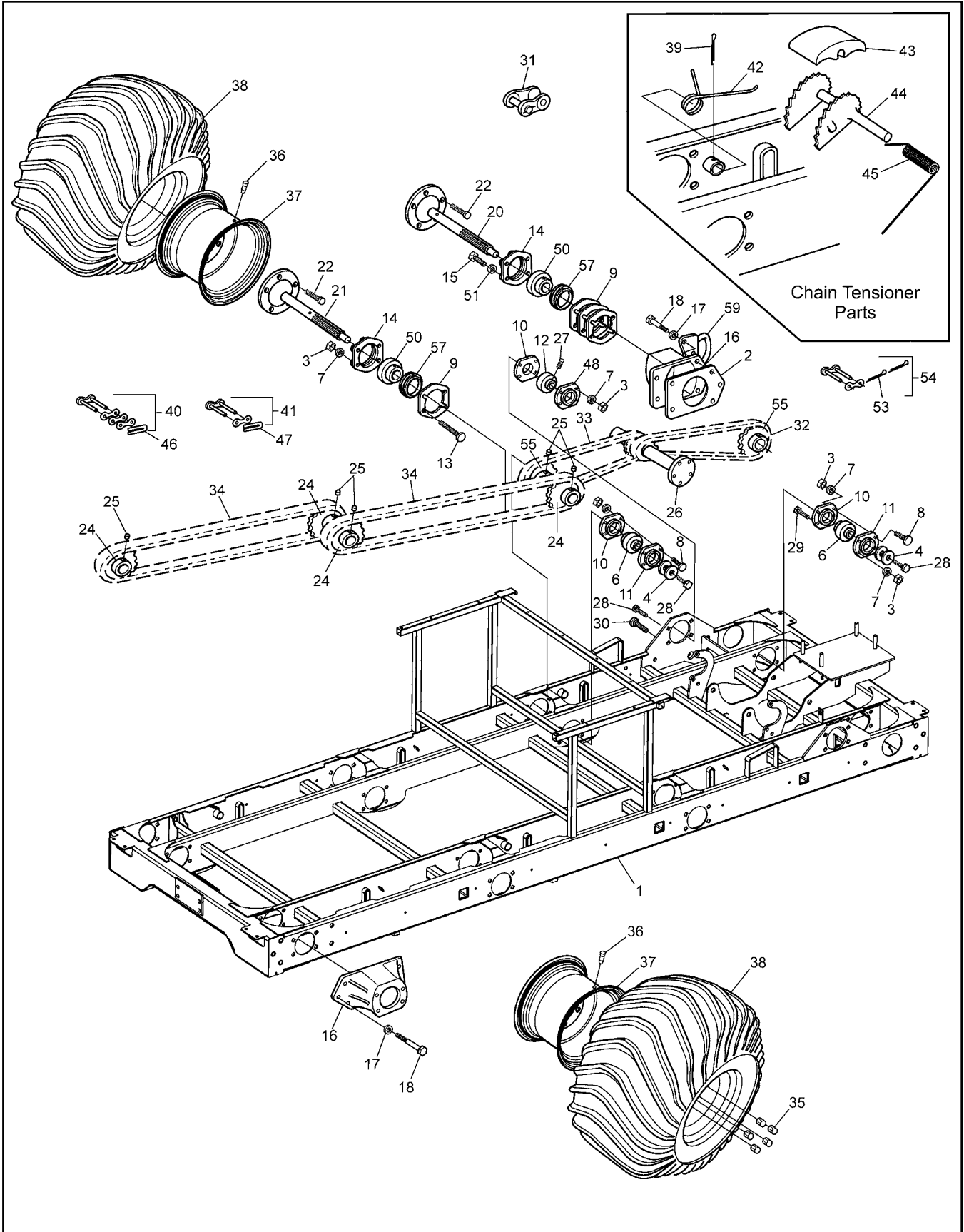
HDi/HD Parts Manual

7.0 Vehicle Body & Firewall

Ref.	Qty.	Part #	Description	Ref.	Qty.	Part #	Description
1	1	707-43	Screen - Exhaust	42	32	120-28	Collar, Magna Grip
2	1	601-44	Nameplate, "Argo"	43	1	801-51	Skid Plate, 8x8 - Black
3	2	127-45B	Knuckle, Hinge	44	1	801-52	Body & Hood, Upper - (spec. colour) (incl. 23, 33, 34, 38)
4	2	127-45A	Pin, Hinge	45	113	120-09	Rivet 3/16 x 1 - Black
5	1	601-101BL	Tube, Dash Handle	46	16	103-48	T/S Pan HD PHIL #10 x 5/8
6	2	100-109	Cup holder Insert	47	4	126-79	Bumper, Plastic - Black
7	1	126-68	Plate, Operation	48	24	108-25	Washer .31 x .75 x .06 Zn
8	1	707-42	Screen, Intake	49	4	603-15	Washer, Plastic 5/16 Hole
9	1	608-64	Seat, Rear - Left	50	4	103-08	HHCS 1/4-20 x 1.0 Zn
10	1	609-42	Firewall, Admiral	51	2	112-04	HHCS 1/4-20 x 3/4 Gr2 Zn
11	3	114-24	Retainer, Q-Turn Washer	52	1	126-60	Vinyl Strip, 1/2" x 1/4" x 37.5'
12	3	117-91	Receptacle, Q-Turn	53	8	108-59	Lockwasher #10 Int. Tooth Zn
13	1	608-65	Seat, Rear - Right	54	9	103-47	HHCS 10-24 x 1/2
14	1	126-67	Plate, Floor Pan	55	1	113-12	Insert, 1/2-13
15	1	127-173	Plate, Vehicle Capacity	56	1	108-35	Washer .53 x 1.06 x .09 Zn
16	2	127-01	Reflector, Red	57	1	112-151	HHCS 1/2-13 x 1" Gr2 Zn
17	1	803-64	Floor Pan, Rear - HDi	58	1	613-37	Terminal Strip, Ground
18	1	127-199	Label, Caution - Dash, HDi	59	13	120-13	Rivet, 3/16 x 3/4 Black
19	1	126-69	Plate, Fuel	60	1	117-10	Locknut, 10-24 N/I Zn
20	2	127-196	Nameplate - Argo 750 HDi	61	38	120-24	Rivet, 3/32 x 3/8 Alum. (all plates)
	2	127-16	Nameplate, 700 HD	62	2	100-114	Gasket, Drain Plug
21	2	601-09	Trim, Vinyl - 28"	63	2	117-82	Locknut, Flange 1/4-20 Zn
22	1	609-43	Glove Box, Firewall, HDi	64	1	602-51	Frame Ass'y, Hood - Rear
23	1	602-49	Frame Ass'y, Hood - Front	65	1	127-144	Label, Warning - HOT
24	1	801-05	Bumper, Vinyl - 8x8	66	1	128-26	Grommet, 1-1/2ID x 1-3/4x1/4
25	1	803-63	Floor Pan, Front - HDi	67	3	112-193	Stud, Q-Turn
26	1	801-50	Body, Lower	68	2	602-52	Clip, Hood
27	2	100-107	Plug, Drain - Flanged	69	1	616-20	Gasket, Rear Hitch
28	1	104-13	Pin, Toplink - 3/4 x 2.75	70	1	601-113	Panel, Dash - Left, HDi
29	1	616-16	Hitch Assembly	71	1	104-57	Pin, Slotted .375 x 1.25
30	1	616-19	Tube, Hitch	72	1	127-212	Pivot, Hi-Lo Shifter
31	4	103-61	HHCS 3/8-24 x 1.5 Gr5 Zn	73	1	127-211	Bracket, Hi-Lo Shifter
32	1	104-11	Pin, Lynch - Ring	74	1	601-112	Panel, Dash - Right, HDi
33	12	120-15	Rivet - 1/8 x 7/16	75	1		See Section 10.0 Electrical System
34	2	602-56	Latch, Hood - Soft Draw	76	1	127-198	Cable, Hi-Lo Shifter
35	2	112-51	Screw, IHWH T/C #10-24x5/8	77	6	120-05	Washer .19 x .50 x .04 Zn
36	34	120-11	Rivet 5/32 x 9/16 - Black	78	1	127-200	Label, F-N-R - HDi
37	1	613-123	Post, Power, 5/16-18, Red	79	1	602-60	Scoop, Hood - HDi
38	1	602-65	Hood Kit (spec. colour) (incl. 3, 4, 34, 36, 40, 53, 54, 59, 67, 68, 79, 80)	80	1	602-59	Screen, Hood - HDi
39	2	117-44	T- Nut 1/4-20 Zn	81	2	809-166-15	Seal, 15" Long
40	99	120-04	Washer .19 x .50 x .08 Zn	82	1	127-221	Label, Shift Warning
41	32	120-27	Pin, Magna Grip				

8.0 Frame and Drive System

HDi/HD Parts Manual



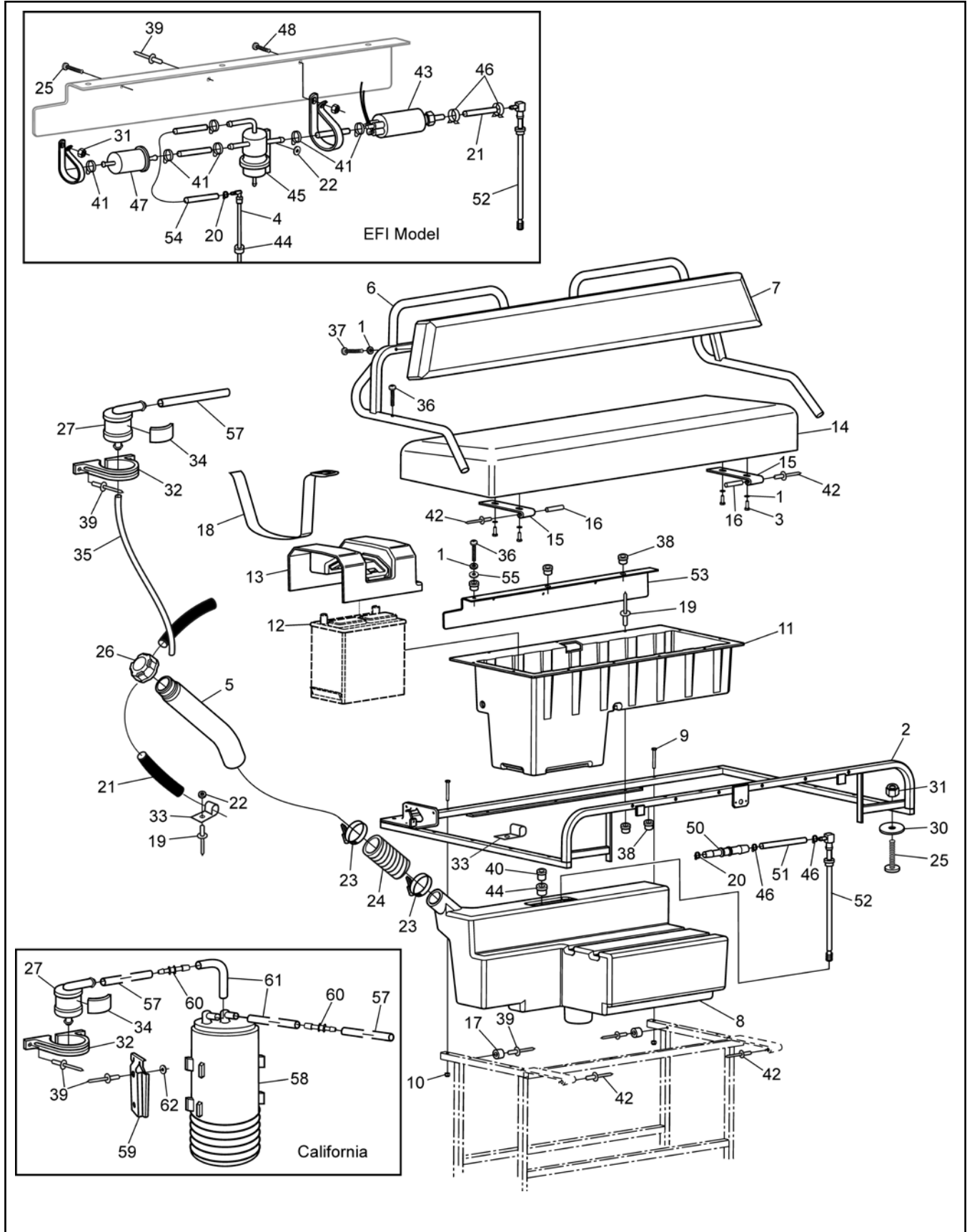
HDi/HD Parts Manual

8.0 Frame and Drive System

Ref.	Qty.	Part #	Description	Ref.	Qty.	Part #	Description
1	1	804-112	Frame Asm - 8x8 HDi	42	6	127-65	Spring Torsion - 1.16x0.35
2	4	606-25	Gasket - Bearing Extension	43	6	606-44	Slider Block
3	80	117-29	Locknut, Nylon 3/8-16 Zn	44	6	606-82	Tensioner Asm, Chain
4	16	108-46	Washer .40 x 1.37 x .12 Hi-Carbon	45	6	127-64	Spring, Torsion - .76 x 1.9
6	8	101-41	Bearing, Ball - 1.0	46	4	603-95	Spring Clip - RC 50 Closed
7	96	108-15	Washer, .42 x .81 x .05 Zn	47	4	603-96	Spring Clip - RC 60 Closed
8	31	103-88	C/Bolt 3/8-16 x 1.0 Gr5 Zn	50	8	101-95	Bearing, Ball - 1.25 x 72mm
9	16	606-90	Gasket, Flange - 72mm	51	16	108-06	Lockwasher 3/8 Split Ring Zn
10	20	606-91	Flange - 4 Hole Hd	53	4	104-35	Pin, Cotter 2mm x 12mm
11	10	606-92	Flange, Greasable - 4 Hole Hd	54	2	127-188	Link, Con. #60 Lambda
12	2	101-96	Bearing, Ball - 1.25x1.5 No Grv	55	4	810-28	Sprocket, Double - 24T
13	16	112-187	C-Bolt 3/8-16x2.0 Gr5 Zn	57	8	606-89	Carrier, Axle Bearing
14	8	606-88	Flange Ass'y, Outer Bearing	59	2	642-47	Tie Down Bracket
15	16	103-68	HHCS 3/8-16 x 2.0 Gr5 Zn				
16	4	810-112	Bearing Extension w/nuts				
17	20	108-34	Washer .47 x .94 x .06 Zn				
18	20	112-181	HHCS 7/16-20 x 1.75 Gr5 Zn				
20	4	810-92	Axle Asm - Front/Rear HD				
21	4	810-113	Axle Asm - Mid HD				
22	5x8	112-183	Stud, Wheel 7/16-20 x 1.5				
24	8	606-34	Sprocket, S60 x 19T				
25	10	112-03	SHSS 5/16-18 x 3/8 1/2 DOG, PL				
26	1		See Section 4.0 Power Pack Ass'y				
27	2	112-60	SHSS 1/4-28 x 1/2 Cup Pt.				
28	12	112-31	HHCS 3/8-16 x 1.0 2B Gr8 Zn				
29	1	112-163	HHCS 3/8-16 x 2.0 Gr5 Zn				
30	4	112-61	C/Bolt 3/8-16 x 1.25 Gr5 Zn				
31		127-80	Link, Half - RC60 - 1 (opt.)				
32	2	603-19	Chain, RC50-2x44P-Front (incl. Ref. 40)				
33	2	803-65	Chain, RC50-2x80P-Middle (incl. Ref. 40)				
34	4	803-57	Chain, RC60-1 x 90P-Rear (incl. Ref. 41)				
35	5x8	117-35	Nut, Wheel 7/16-20 Zn				
36	8	125-26	Valve, Tire				
37	8	127-61BL	Rim - 10 x 9 - Black				
38	8	127-182	Tire, Argo 25x12-9				
39	6	100-01	Pin, Cotter 1/8 x 1.50 Zn				
40	1x4	100-96	Con. Link, RC50-2 H.D.				
41	1x4	603-84	Con. Link, RC60-1 H.D.				

9.0 Fuel System & Seat Assembly

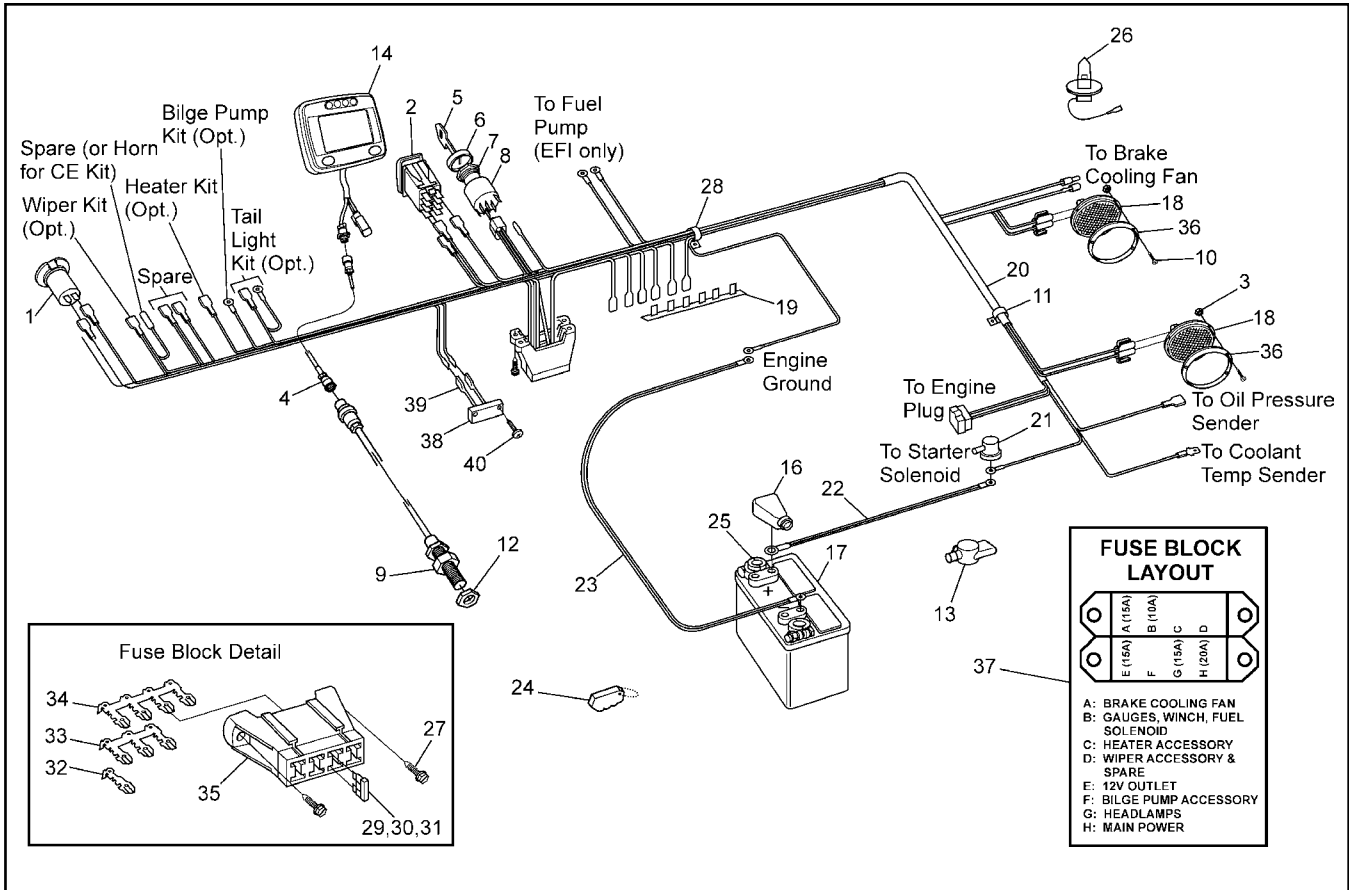
HDi/HD Parts Manual



Ref.	Qty.	Part #	Description	Ref.	Qty.	Part #	Description
1	11	108-03	Lockwasher 1/4 Split Ring Zn	47	1	24 050 03	Filter, Fuel Line - EFI - c/w engine
2	1	608-145	Frame Assembly, Seat HDi	48	1	103-25	PHMS, 10-24 x 3/4 Zn
3	4	112-04	HHCS 1/4-20x3/4 Gr2 Zn	50	1	808-133	Reducer, 5/16" to 1/4" Barbed
4	1	608-138	Return, Fuel Port	51	2"	608-69RM	Hose, Fuel - 5/16" ID Carb
5	1	608-140	Fuel, Fill Neck Assembly	52	1	608-127	Pick-up, Fuel, 5/16 105 Mesh
6	1	608-76	Frame Assembly, Backrest	53	1	601-122	Bracket, Support Body Upper Fuel
7	1	608-39	Back Pad Assembly	54	1	608-66	Hose, Fuel
8	1	608-122	Tank, Fuel Single Layer	55	3	108-08	Washer .28 x .62 x .07 Zn
	1	608-120	Tank, Fuel Low Permeation (for U.S.)				United States Vehicle Kit
9	2	103-77	HHCS, 1/4-28 x 2.0	8	1	608-120	Tank, Fuel Low Permeation
10	2	117-01	Locknut, Nylon 1/4-28 Zn	1	1	127-273	Plate, Serial Blank Double
11	1	608-54	Toolbox	1	1	127-274	Label, U.S EPA EVAP Approval
12	1	127-54	See Section 10.0 Electrical System	56	2	120-24	Rivet, Alum - 3/32 x 3/8 Black
13	1	608-55	Cover, Battery				California Vehicle Kit
14	1	608-88	Seat Assembly, Bench - Thick	8	1	608-120	Tank, Fuel Low Permeation
15	2	608-81	Hinge, Seat, Bolted	1	1	127-273	Plate, Serial Blank Double
16	2	104-43	Pin, 3/16" x 1-1/8"	1	1	127-274	Label, U.S EPA EVAP Approval
17	2	126-102	Bumper, Recessed Hole	39	2	120-13	Rivet - 3/16 x 3/4 Black
18	1	608-56	Strap, Battery	56	4	120-24	Rivet, Alum - 3/32 x 3/8 Black
19	17	120-09	Rivet 3/16x1 - Black		1	127-275	Label, Carb EVAP Approval
20	4	112-79	Clamp, Hose, 1/2" - Black	57	1	126-101RM	Hose, Vent 3/16" ID
21	1	608-69	Hose, Fuel 5/16" ID x 7.5' - Carb	58	1	609-45	Carbon Canister 800cc
				59	1	609-46	Bracket, Carbon Canister
22	9	120-04	Washer .19 x .50 x .08 Zn	60	2	609-48	Reducer, Barbed 1/4" to 3/16"
23	2	100-12	Clamp, Gear 2.25" HF-36	61	2	127-160-3	Hose, 1/4ID x 3/8OD - 3" Long
24	1	125-94	Hose, Filler	62	2	120-05	Washer .19x.50x.04 Zn
25	11	112-07	RHMS 10-24 x 1.50 Zn				
26	1	126-100	Fuel Cap, Tethered				
27	1	609-47	Valve, Rollover				
30	10	108-42	Washer .21 x 1.0x.06 Zn				
31	14	117-10	Locknut, Nylon #10-24 Zn				
32	1	609-50	Clamp, Rollover Valve				
33	7	126-93	Clamp, Nylon Wire - 1/2" ID				
34	1	126-60	Vinyl Strip 1/2" x 1/4"				
35	6'	127-160RM	Tubing, 1/4 ID Clear Plastic				
36	5	112-41	PHMS, Phil 1/4-20 x 1.25 Zn				
37	4	103-03	PHMS, Phil 1/4-20 x 1.50 Zn				
38	5	117-64	Insert, 1/4-20 Steel Cad Pltg.				
39	33	120-13	Rivet, 3/16 x 3/4 Black				
40	1	608-137	Plug, Push-In				
41	7	100-101	Clamp, Gear 1/2" HF or MH-4				
42	4	120-31	Rivet, 3/16" x 1/4, Open End				
43	1	24 393 52	Fuel Pump, EFI				
44	1	608-136	Grommet, Fuel Return				
45	1	24 403 16	Regulator, Fuel Pressure				
46	2	112-78	Clamp, Hose, 9/16				

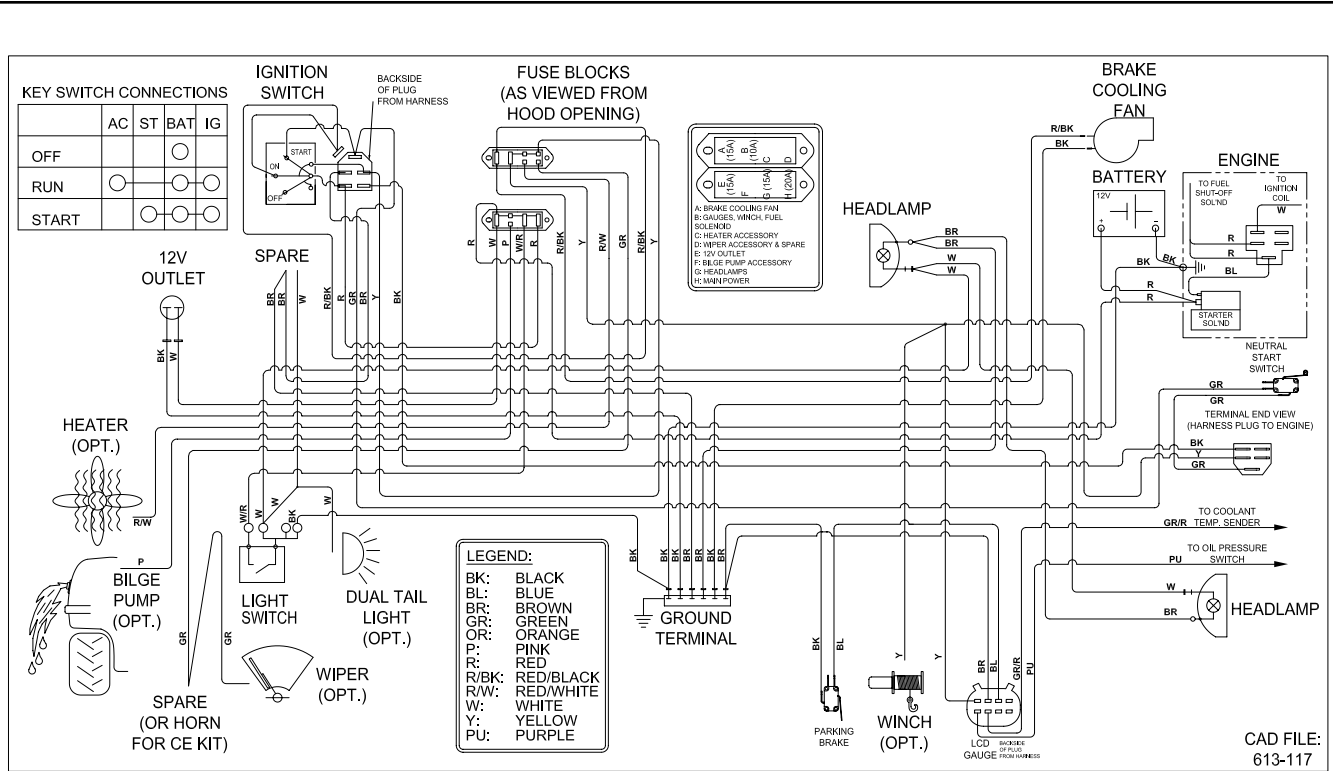
10.0 Electrical System

HDi/HD Parts Manual

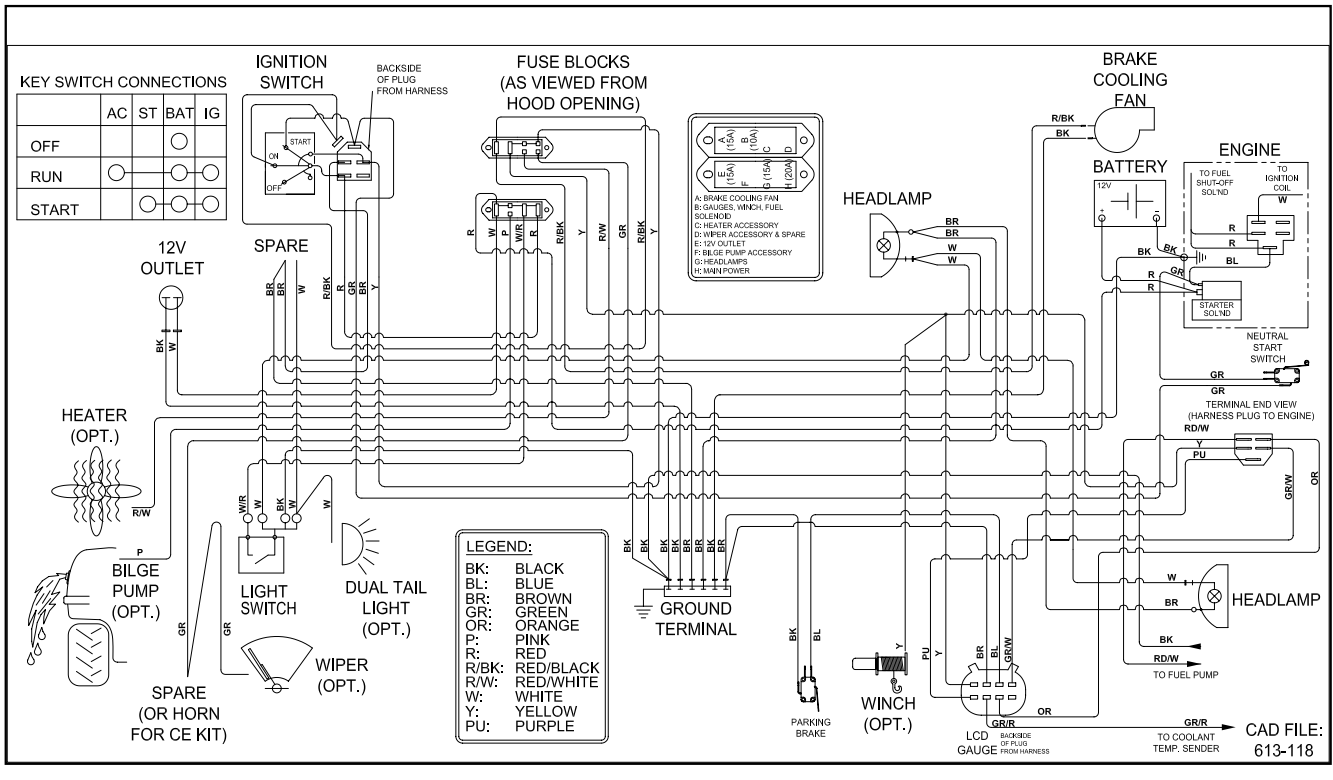


Ref.	Qty.	Part #	Description
1	1	613-90	Outlet, 12 Volt DC
2	1	613-153	Switch, Light
3	8	117-93	Nut, Speed #10
4	1	613-128	Cable, Extension, Speedo Pickup
5	2	127-108	Key, Molded
6	1	127-107	Bezel - Cover, Nut
7	1	127-106	Nut, Flanged - Plastic
8	1	127-105	Switch - Ignition
9	1	613-126	Sensor, Speedo Pickup
10	8	112-198	T/S Pan Hd Phil #10 x 1.25 Blk.
11	4	127-24	Clamp, Nylon - 1" ID
12	1	117-87	Nut, M12 x 1.25, Zn
13	1	613-124	Insulator, 2 Way w/cap, Red
14	1	613-130	Gauge, LCD
16	1	127-55	Cap, Battery Terminal - Red
17	1	127-54	Battery, Exide 45-60
	1	613-161	Battery, Optima - Argo (Opt.)
18	2	613-159	Headlight 37.5
19	2	613-37	Terminal Strip, Ground
20	1	613-117	Wire Harness, Kohler Carb
20a	1	613-118	Wire Harness, Kohler 31HP EFI

Ref.	Qty.	Part #	Description
21	1	613-46	Insulator, Terminal (2 ga.)
22	1	613-94	Wire, Positive Battery
23	1	613-95	Wire, Negative Battery
24	1	681-00	FOB, Key - Floating
25	2	127-56	Terminal, Battery Post
26	2	127-46	Bulb, Headlight - Halogen 37W
27	2	112-51	Screw, IHWH T/C #10-24 x 5/8
28	4	126-93	Clamp, Nylon Wire - 1/2" ID
29	1	118-52	Fuse, 10A 2 Prong (AT010)
30	3	118-49	Fuse, 15A 2 Prong (AT015)
31	1	118-53	Fuse, 20A 2 Prong (AT020)
32	9	118-62	Terminal - Fuse, single
33	1	118-63	Terminal - Fuse, triple
34	1	118-61	Terminal - Fuse, quad
35	2	118-60	Block - Fuse, 8 position (4 fuse)
36	2	613-152	Bezel, Headlamp
37	1	127-143	Label, Fuse Panel - Kohler
38	1	613-99	Light, Shifter Illumination
39	2	118-69	Terminal, 3/16 Male Blade 22 Ga
40	2	112-139	OHPS T/S #4 x 5/8 Black Zn



EFI Models



ARGO Products Manufactured by:

Ontario Drive & Gear Limited

220 Bergey Court

New Hamburg, Ontario

Canada N3A 2J5

Phone: (519) 662-2840

Fax: (519) 662-2421

www.argoatv.com

ODG *Dedicated to quality and performance*