

Argo 8x8
750HDi



Argo 8x8
750HDi

PARTS MANUAL

From Serial # ...28842

Foreword

ODG has prepared this parts manual for the HDi model to assist both qualified mechanics and vehicle owners in ordering correct, quality replacement ARGO parts. For the most current parts manual visit our website at www.argoatv.com.

Proper and regular service, and replacing old, worn or broken parts with the correct ARGO replacement parts, are both essential to prolonging the life of the ARGO. Please refer to this parts manual and/or our website www.argoatv.com before ordering any replacement part.

All information contained in this HDi Parts Manual is based on the latest product specification available at time of printing. If your HDi differs from the specifications contained in this manual, check our website www.argoatv.com for the most current information.

ODG reserves the right to alter specifications on the HDi model at any time, without obligation or prior notification.

Reproduction of this HDi Parts Manual, in whole or in part, is prohibited without prior written permission from Ontario Drive & Gear Limited.

Vehicle Identification

HDi - Serial Nos. ...28842

Explanation of Parts Manual Format

Ref - Reference number between assembly diagram and component parts list

Part No. - Argo replacement part number for identification and re-ordering

Description - Part description for identification and re-ordering

Qty - Indicates the quantity of a part used in an assembly

ARGO 8x8 750 HDi

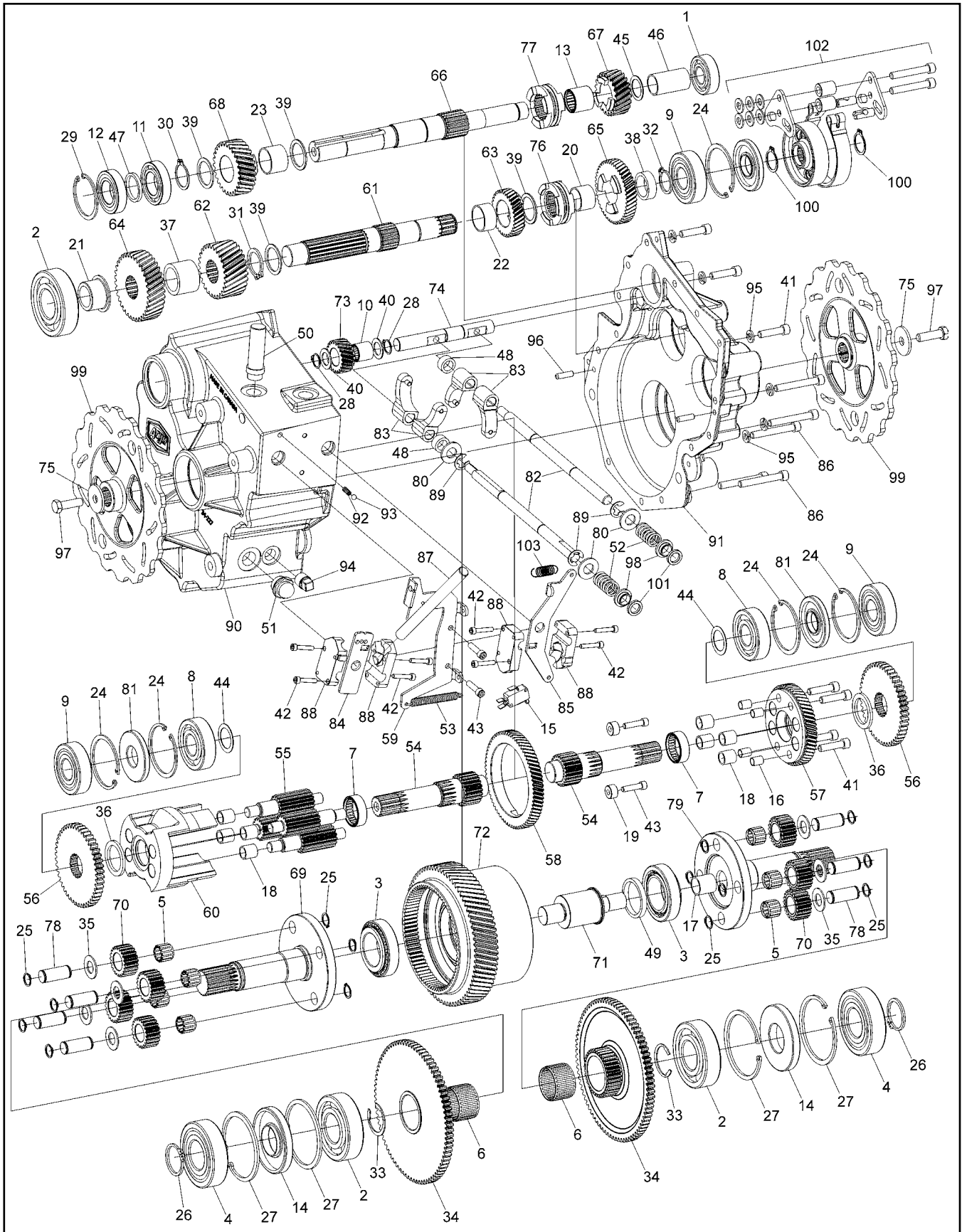


Using the Parts Manual

1. Find the major vehicle assembly in the Table of Contents on this page, and turn to that section.
2. Locate the part in the illustration that you wish to order.
3. Refer to the parts list in that section.
4. Find the correct part number (Part No.), part description (Description) and correct quantity (Qty).
5. Use *only* this information to order ARGO replacement parts. **DO NOT** attempt to order a replacement part by reference number or page number.

Table of Contents

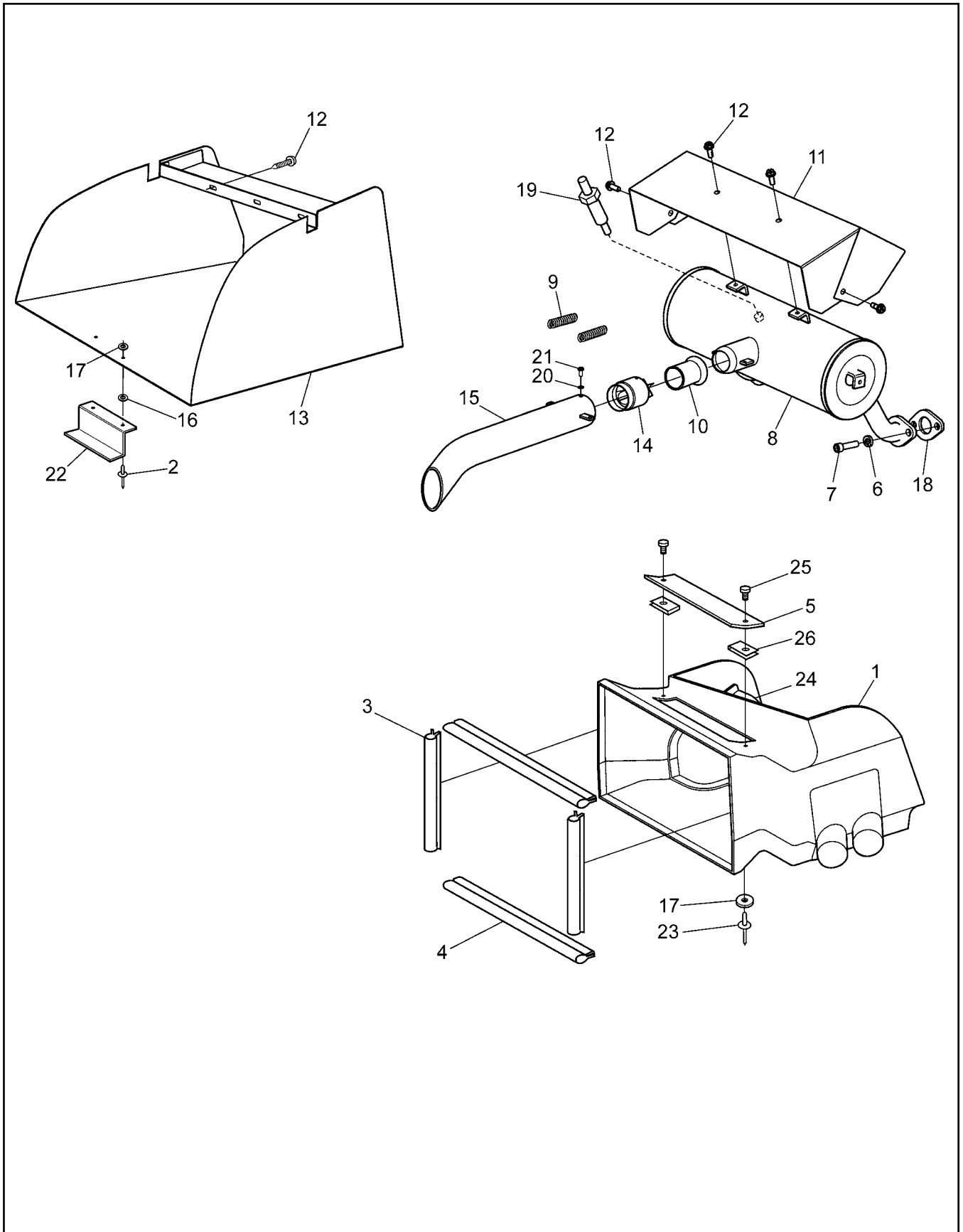
Foreword	i
Vehicle Identification.....	i
Using the Parts Manual	ii
1.0 Transmission	1
2.0 Intake and Exhaust System.....	3
3.0 Clutch System	5
4.0 Power Pack Assembly	7
5.0 Steering & Brake System	9
6.0 Parking Brake	11
7.0 Vehicle Body & Firewall.....	13
8.0 Frame & Drive System	15
9.0 Fuel System & Seat Assembly	17
10.0 Electrical System.....	19



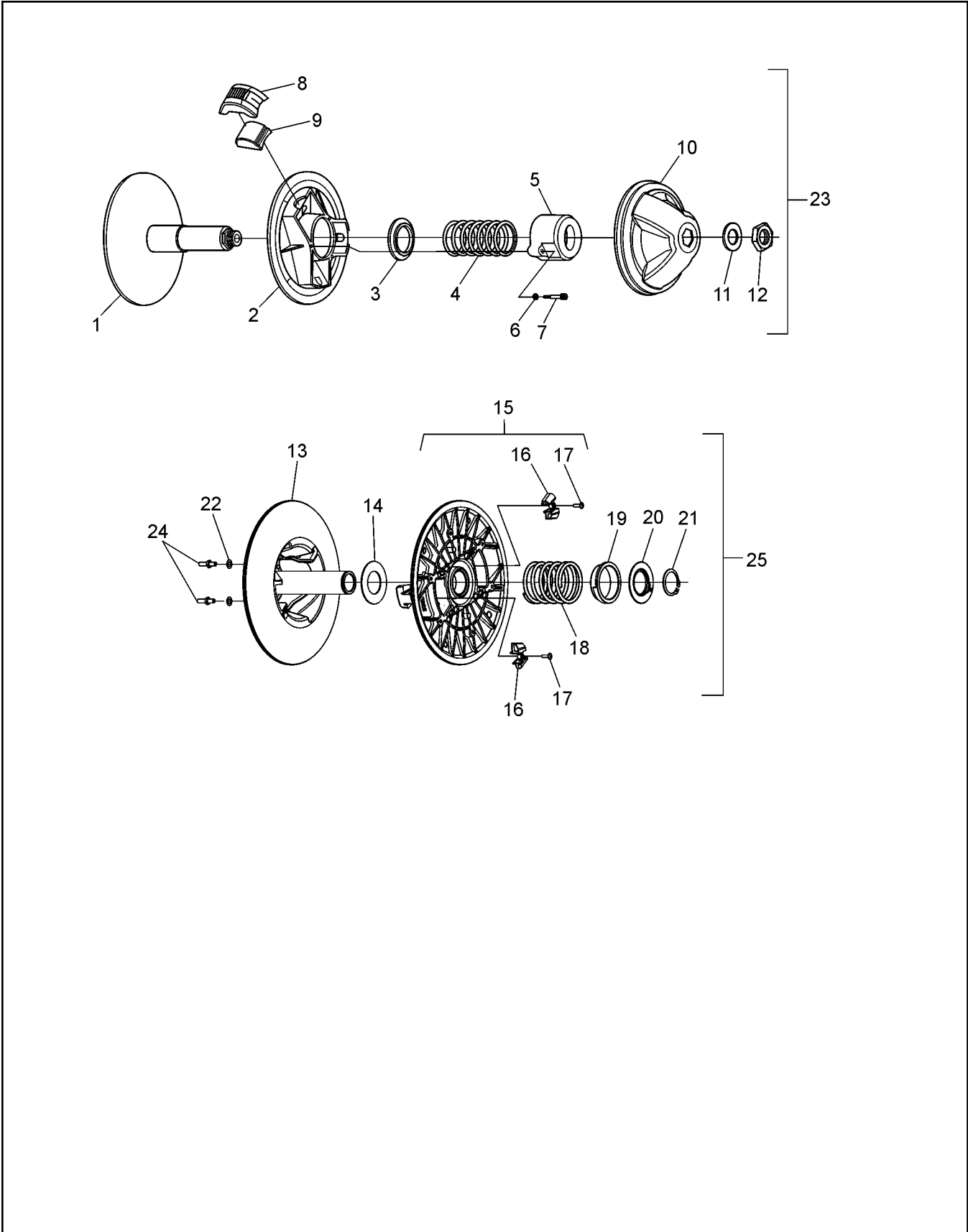
HDI Parts Manual

1.0 Transmission

Ref.	Qty.	Part #	Description	Ref.	Qty.	Part #	Description
	1	34-200-FG	Transmission Assembly	55	4	34-202	Gear, Planet - 15T
1	1	101-01	Bearing, Ball 6204Z-C3	56	2	34-203	Pinion, Spur - 46T
2	3	101-73	Bearing, Ball 6307 CL.N.	57	1	34-204	Gear, Helical - 55T
3	2	101-76	Bearing, Tapered Roller 32008X	58	1	34-205	Gear, HelicalL - 67T
4	2	101-81	Bearing, Ball 6307 ZZE	59	1	34-241	Bracket, Switch, Spring Mount
5	8	101-82	Bearing, Needle K15x21x17	60	1	34-206	Cage, Differential
6	2	101-83	Bearing, Needle KJ37x42x27S	61	1	34-208	Shaft, Idler
7	2	101-84	Bearing, Needle HK3012	62	1	34-209	Pinion, Helical - 27T
8	2	101-40	Bearing, Ball 6305 Open	63	1	34-210	Pinion, Helical - 31T
9	3	101-86	Bearing, Ball 6305 Zz	64	1	34-211	Gear, Helical - 35T
10	1	101-87	Bearing, Needle HMK20x27x25	65	1	34-212	Pinion, Helical - 45T
11	1	101-88	Bearing, Ball 60/28	66	1	34-213	Shaft, Input
12	1	101-89	Bearing, Ball 60/28 Llu	67	1	34-214	Pinion, Reverse - 21T,12Dp
13	1	101-90	Bearing, Needle HK2220	68	1	34-215	Pinion, Forward - 27T,12Dp
14	2	102-33	Seal, Oil 35x80x10	69	1	34-216	Shaft, Output
15	1	613-151	Switch, Micro, Roller Lever	70	8	34-217	Gear, Planet - 21T
16	4	105-23	Bushing, Dowel - .312 x .5	71	1	34-218	Shaft, Planetary Stub
17	1	105-26	Bushing, Oilite .75x.875x.875	72	1	34-219	Planetary Hub
18	8	105-27	Bushing, Oilite .5x.625x.625	73	1	34-220	Pinion, Idler - 20T
19	2	105-28	Bushing, Dowel .26x.625x.36	74	1	34-221	Shaft, Shift - Reverse
20	1	105-29	Bushing, Oilite 1.0x1.125x.75	75	2	108-18	Washer .40x1.37x.12 Zn
21	1	105-30	Bushing, Flanged 1x1.375	76	1	34-223	Collar, Shift, Hi-Low
22	1	105-31	Bushing, Bronze 1.125x1.25x.625	77	1	34-224	Collar, Shift, For-Rev
23	1	105-32	Bushing, Bronze 1.125x1.25x.875	78	8	34-225	Pin, Planet Carrier
24	5	106-05	Retaining Ring HO-244-PA	79	1	34-226	Shaft, Output, Right
25	16	106-22	Retaining Ring SH-0056-PA	80	3	108-35	Washer .53x1.06x.09 Zn
26	2	106-23	Retaining Ring SH-0137-PA	81	3	102-37	Seal, Oil 25x62x7
27	4	106-24	Retaining Ring H0-312-PA	82	2	34-231	Shaft, Shift - F-N-R
28	2	106-25	Retaining Ring SH-0078-PA	83	4	34-232	Fork, Shift - Half
29	1	106-26	Retaining Ring H0-206-PA	84	1	34-233	Plate, Detent
30	1	106-27	Retaining Ring SH-112-PA	85	1	34-242	Bracket, Spring Mount
31	1	106-28	Retaining Ring SHR-0112-PA	86	8	112-18	SHCS 5/16x2.25
32	1	107-15	Retaining Ring SHR-98-PA	87	1	34-235	Lever, Shaft - F-N-R
33	2	106-31	Retaining Ring C-0137	88	4	34-236	Clamp, Lever Shaft
34	2	34-207	Gear, Sun - 81T, 35T	89	3	106-30	Retaining Ring E-0050 E
35	8	108-93	Washer, .59x1.10x.06	90	1	34-227	Housing, Admiral, Left
36	2	108-94	Washer, Thrust 1.25x1.688x.125	91	1	34-228	Housing, Admiral, Right
37	1	108-96	Spacer, 1.125x1.5x1.083	92	1	34-32	Spring Ø7/32
38	1	108-97	Spacer, 1.01x1.3x.409	93	1	109-05	Ball, Steel 6mm 62-67 Rc
39	4	108-98	Washer, Thrust 1.13x1.46x.062	94	1	103-02	Plug, Magnetic 3/8-18Npt Sq.Hd
40	2	108-99	Washer, Thrust .79x1.25x.06	95	11	108-05	Lockwasher 5/16 Split-Ring Zn
41	10	112-143	SHCS 5/16x1.25 Zn	96	2	104-03	Pin, Dowel 1/4x7/8
42	8	112-184	SHCS, 10-32x1	97	2	103-18	HHCS 3/8-24x1.25 Gr5 Zn
43	4	112-47	SHCS, 1/4-20 x 1.0 Zn	98	2	105-33	Bushing, Flange
44	2	114-16	Washer, SHIM .99x1.375x.030	99	2	165-22	Disc, Brake - Admiral
45	1	114-17	Washer, Thrust .866x1.181x.039	100	2	106-29	Retaining Ring SH-0093-PA
46	1	114-18	Spacer, .865x1.0x1.75	101	2	102-36	Seal, Shift Shaft - 0.5x.75x.125
47	1	114-19	Spacer, 1.12x1.375x.148	102			See Section 6.0 Parking Brake
48	2	114-21	Spacer, .51x.75x.36	103	1	127-195	Spring, Ext., .75 x 2.73
49	1	114-22	Spacer, 1.585x1.75x.245				
50	1	34-245	Plug, Fill/Vent 1/2 BSPP				
51	1	34-244	Site Glass, 1/2 BSPP				
52	2	127-186	Spring, Comp. 0.70x1.28				
53	1	127-194	Spring, Ext .360x3.0				
54	2	34-201	Shaft, Brake				



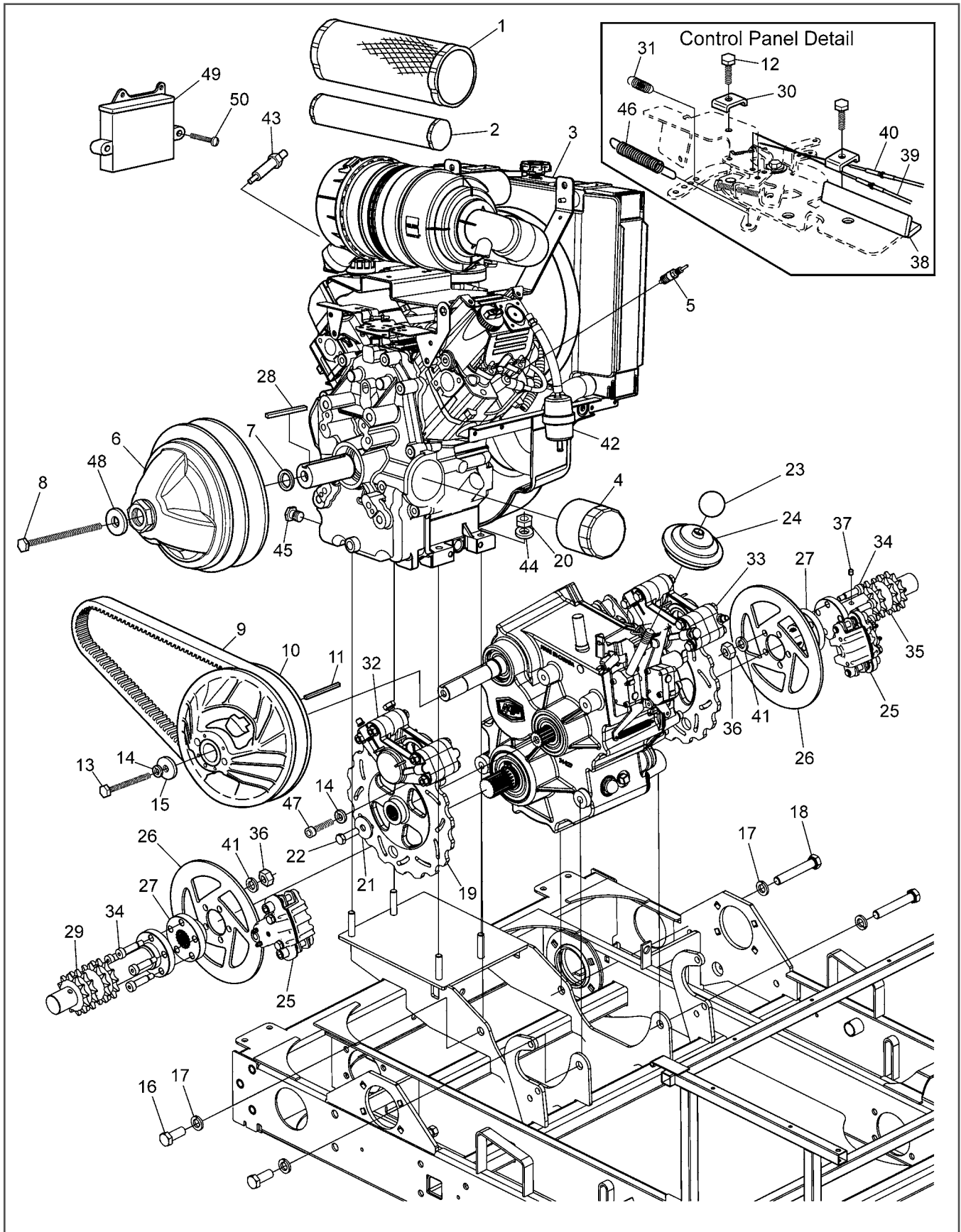
Ref.	Qty.	Part #	Description
1	1	809-03	Duct, Intake
2	2	120-13	Rivet, 3/16 x 3/4 - Black
3	2	809-05	Seal, Radiator - 10.25" LG
4	2	809-06	Seal, Radiator - 16.25" LG
5	1	601-111	Cover Plate, Intake Duct
6	4	108-05	Lockwasher 5/16 Split Ring Zn
7	4	112-30	SHCS M8 x 1,25 x 20mm Zn
8	1	607-121	Muffler Ass'y, Avenger EFI
9	4	126-57	Spring, Extension- 7/16 x 2.14
10	1	607-125	Tube Ass'y, Muffler, Flared
11	1	607-123	Shield, Heat - Muffler
12	7	112-19	Screw, IHWH T/C Slot 1/4-20 x 1/2
13	1	607-109	Duct, Exhaust
14	1	607-126	Spark Arrester, 1.75 Dia.
15	1	607-132	Pipe, Tail - Asm
16	2	125-58	Washer, Fibre - W-77F
17	12	120-04	Washer, .19 x .50 x .08 Zn
18	2	24 041 49	Gasket, Exhaust Manifold
19	1		See Section 4.0 Power Pack Assembly
20	1	108-77	Lockwasher, #8 External Tooth
21	1	112-43	Screw IHWH #8 x 3/8
22	1	707-44	Support, Exhaust Duct - Avenger
23	13	120-09	Rivet, 3/16 x 1.0 Black
24	1	809-04	Shroud, Intake Duct
25	2	117-89	Thumbscrew, 1/4-20 x 1, Nylon
26	2	112-186	U-clip, Tapped 1/4-20 x .531



Ref.	Qty.	Part #	Description
1	1	0405-0075	Flange, Fixed
2	1	0410-0026	Flange, Sliding
3	1	0150-1014	Spring Guide Washer
4	1	0451-1114	Spring
5	1	0440-0005	Spring Cover
6	3	0080-0167	Lockwasher
7	3	0080-0021	Screw, Cap
8	3	0130-3009	Block
9	3	0135-3062	Weight (240gr)
	1	127-208	Weight Set (3), 185g - High Elevation
	1	127-209	Weight Set (3), 220g - High Elevation
10	1	0115-0047	Cap
11	1	0080-0153	Washer, Zn
12	1	0080-0100	Nut
13	1	5905-0003	Flange, Fixed
14	1	0080-0164	Washer, Shim
15	1	5910-0002	Flange, Sliding
16	3	5930-3001	Cam Shoe
17	2	0080-0031	Screw
18	1	5951-1009	Spring
19	1	5950-3003	Spring Protector
20	1	5950-3002	Spring Support
21	1	0080-0216	Retaining Ring, Outside
22	2	0080-0167	Lockwasher
23	1	127-157	Clutch, Driver - EFI Models
24	2	0080-0035	Screw & Nut Ass'y
25	1	127-156	Clutch, Driven - INVANCE

4.0 Power Pack Assembly

HDi Parts Manual



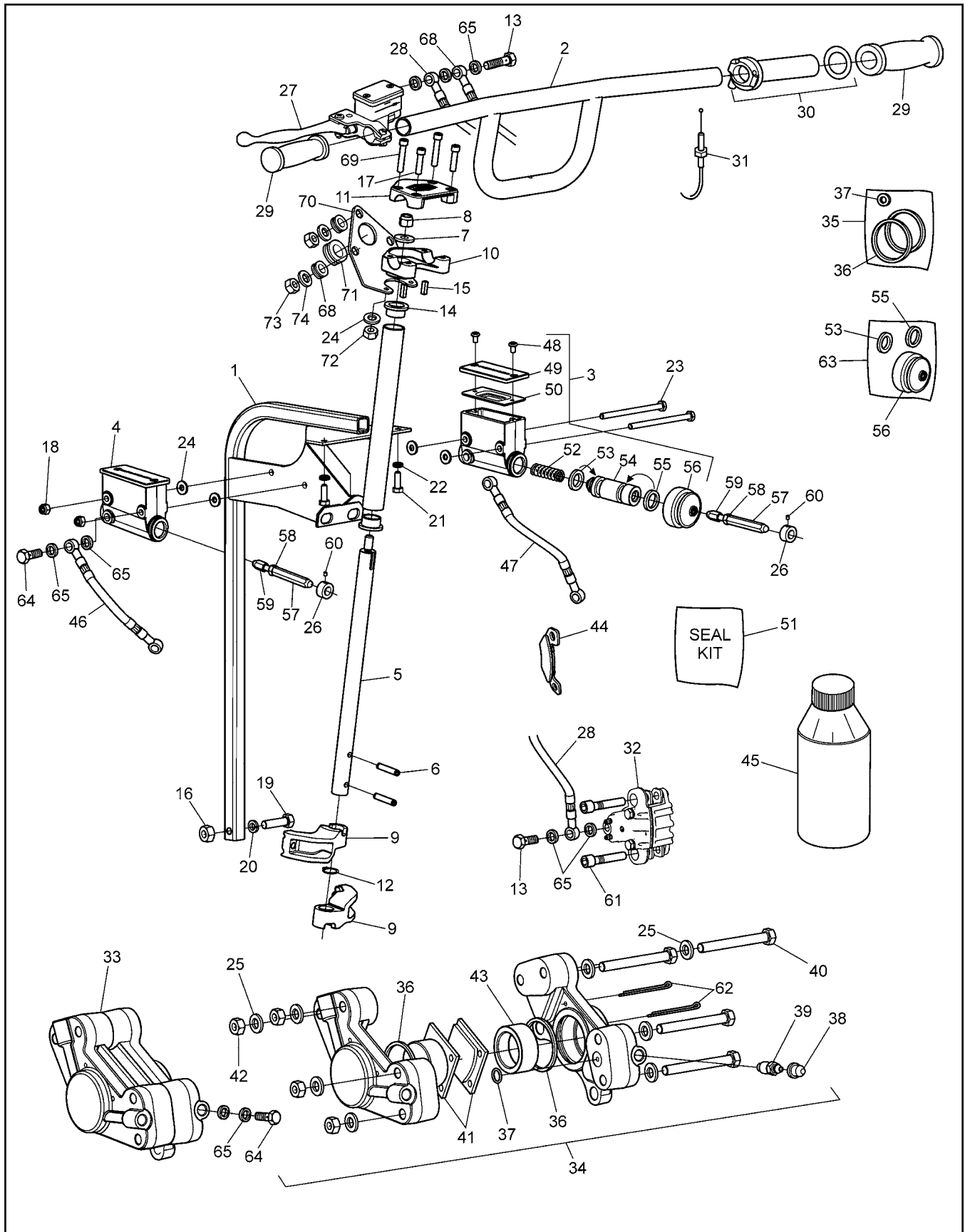
HDI Parts Manual

4.0 Power Pack Assembly

Ref.	Qty.	Part #	Description	Ref.	Qty.	Part #	Description
1	1	25 083 01	Filter, Air	34	10	112-188	Bolt, Shoulder M10 x 30
2	1	25 083 04	Element, Inner	35	1	810-98	Shaft, Output - Ass'y Short
3	1	LH775	Kohler 31 HP Engine, EFI	36	10	117-77	Locknut, Nylon - M8 x 1,25mm Zn8
4	1	12 050 01	Filter, Oil	37	1	613-127	Magnet, Speedometer
5		127-193	Sparkplug, RC14YC	38	1	607-141	Shield, Throttle - Avg,HDI
6			See Section 3.0 Clutch System	39	1	612-92	Cable Ass'y, Choke
7	1	108-84	Washer, Engine Clutch	40	1	612-116	Cable Asm., Throttle
8	1	112-160	HHCS, 7/16-20 x 4.50" Lg	41	10	108-05	Lockwasher 5/16 Split-Ring Zn
9	1	127-137	Drive Belt - 10.5" Cen. Dist	42	1	125-64	Filter, Fuel
10			See Section 3.0 Clutch System	43	1	24 418 05	Sensor, Oxygen
11	1	110-03	Key 1/4 x 3/16 x 2.375 RC46	44	4	108-26	Washer, .43 x 1.02 x .09 Zn
12	1	M-545016	Screw, Clamp Cable (Kohler #)	45		112-156	Plug, Oil Drain 3/8-18 NPT Hex
13	1	112-164	HHCS 3/8-16 x 3.5 Gr5 Zn	46	1	24 089 46	Spring, Governer (Kohler #)
14	6	108-06	Lockwasher 3/8 Split Ring Zn	47	4	103-41	SHCS 3/8-16x1.25 Zn
15	1	108-46	Washer .40 x 1.37 x 1.2 Hi-Carbon	48	1	108-58	Washer, .47 x 1.37 x 12 Hi-carbon
16	2	112-189	HHCS 1/2-13 x 1.25 Gr5 Zn	49	1	66 584 05	ECU (c/w engine)
17	4	108-07	Lockwasher 1/2 Split Ring Zn	50	2	112-161	PHMS, 10-24 x 2.5
18	2	112-190	HHCS 1/2-13 x 3.0 Gr5 Zn				
19	2	165-22	Disc, Brake - Admiral				
20	4	117-29	Locknut, Nylon 3/8-16 Zn				
21	2	108-18	Washer .40 x 1.37 x .12 Zn				
22	2	103-18	HHCS 3/8-24 x 1.25 Gr5 Zn				
23	1	127-189	Knob, 1.58" Dia. x 1/2-13				
24	1	609-44	Boot, F-N-R Shifter				
25	2	165-32	Caliper, Service				
26	2	165-25	Disc, Brake, Service				
27	2	34-239	Coupler, Output Shaft				
28	1	110-18	Key 1/4 x 1/4 x 1.75				
29	1	810-99	Shaft, Output Ass'y, Long				
30	1	12 237 01	Clamp, Cable (Kohler #)				
31	1	24 089 51	Spring, Throttle (Kohler #)				
32			See Section 5.0 Steering & Brake System				
33			See Section 5.0 Steering & Brake System				

5.0 Steering & Brake System

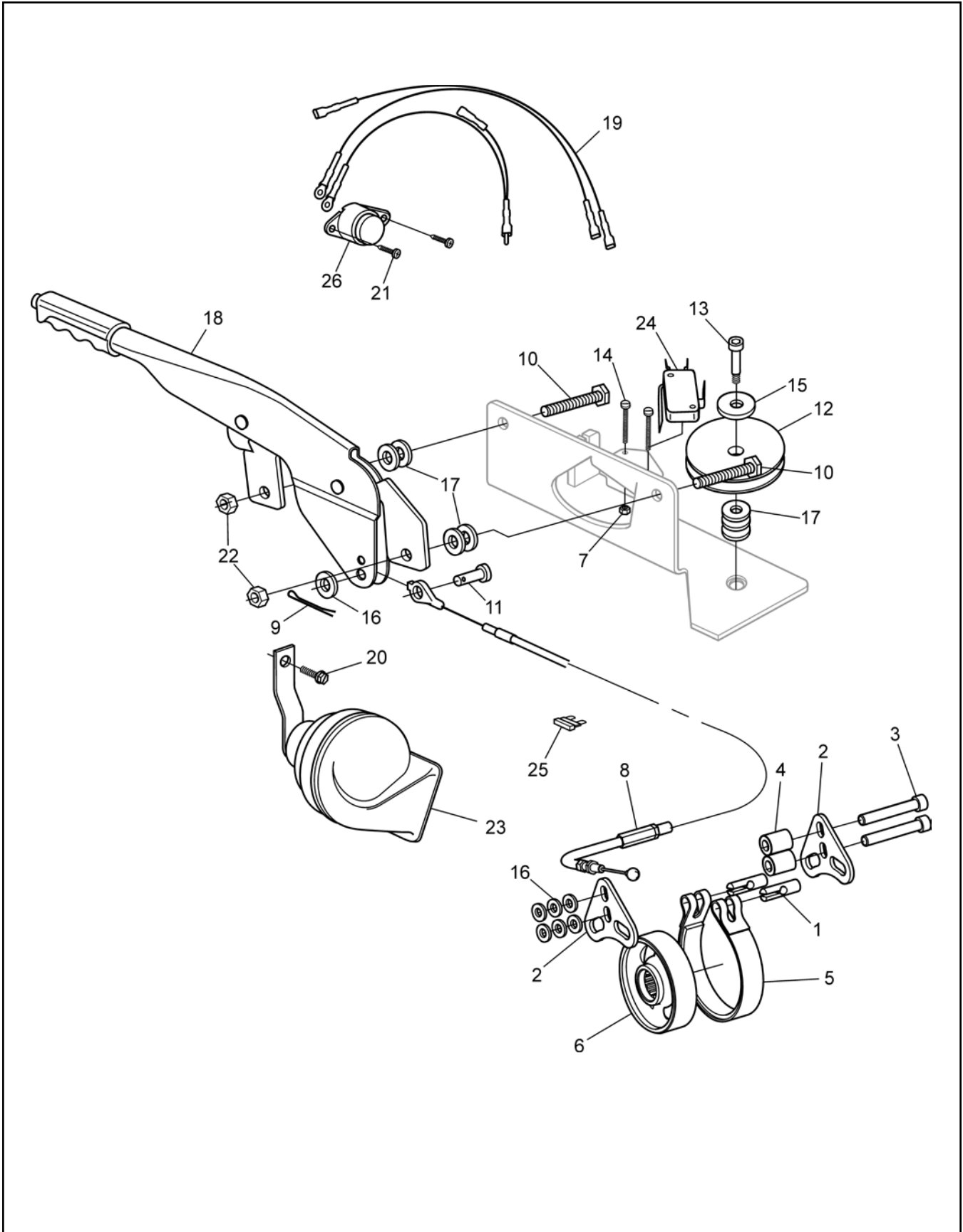
HDi Parts Manual



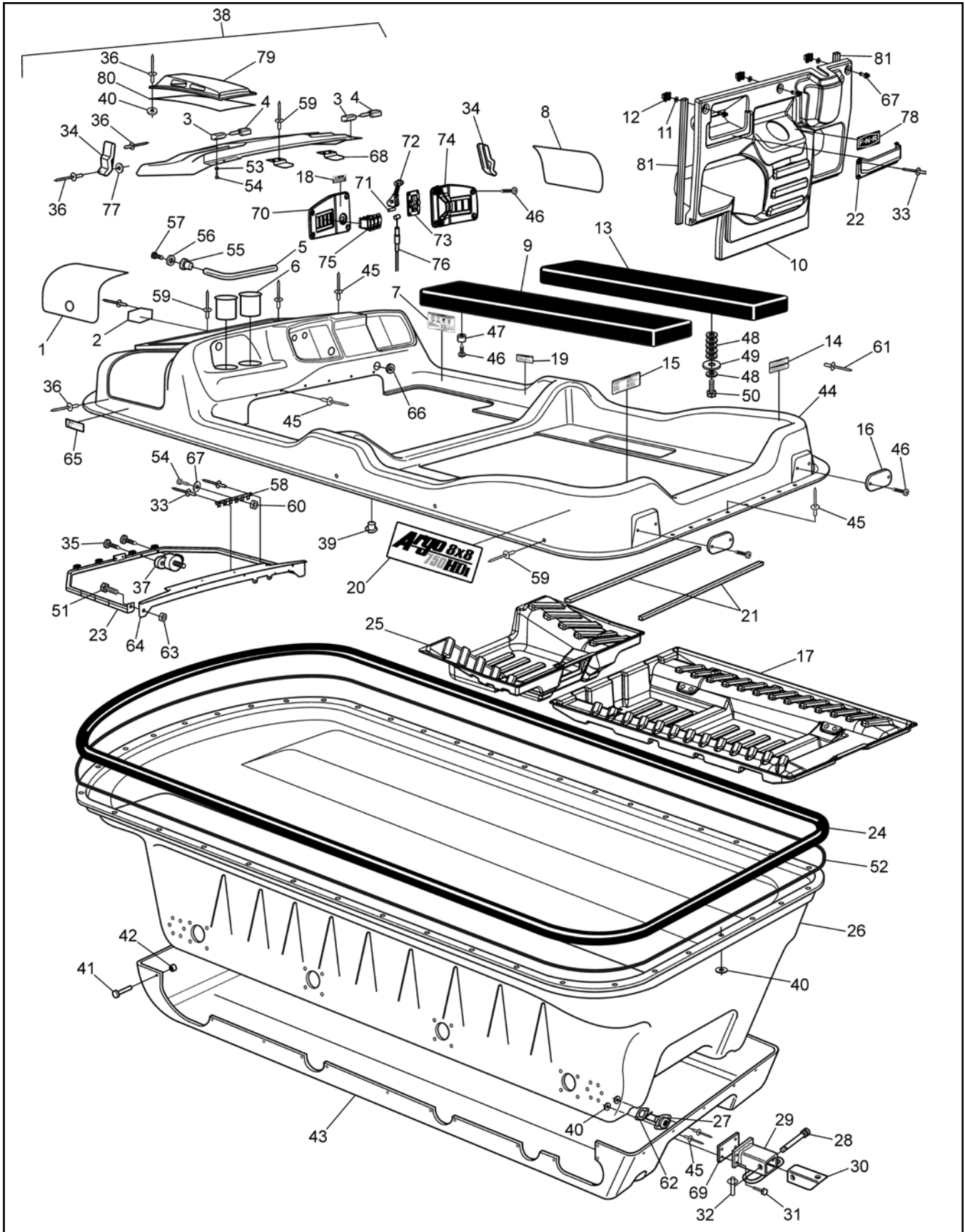
Ref.	Qty.	Part #	Description	Ref.	Qty.	Part #	Description
1	1	612-133	Frame Ass'y- Steering Column HDi	45		126-19	Fluid, Brake-Silicon Dot 5 - .35L
2	1	612-107	Handlebar Assembly	46	1	163-05	Hose Asm, Hydraulic - Left
3	1	165-08	Master Cylinder, Grimeca - R	47	1	163-06	Hose Asm, Hydraulic - Right - SS
4	1	165-07	Master Cylinder, Grimeca - L	48	2x2	160-42	Screw, FHMS M5 x 0,8 x 6mm
5	1	612-128	Shaft, Steering - Avenger	49	2x1	168-08	Cover
6	2	104-42	Pin, Spring 1/4 x 1.5"	50	2x1	168-09	Cover, Rubber
7	1	108-47	Washer, .39 x .94 x .13 Zn Di-chr	51	1	165-37	Piston Seal Kit - Wilwood
8	1	117-29	Locknut, Nylon 3/8-16 Zn	52	2x1	162-08	Spring, Comp. 17.3 x 49.3mm
9	2	612-124	Arm, Steering	53	2x1		Seal, Primary, 19mm (See Ref. 63)
10	1	612-106	Clamp, Lower Handlebar	54	2x1	168-10	Piston 19mm dia.
11	1	612-105	Clamp, Upper Handlebar	55	2x1		Seal, Secondary, 19mm (See Ref. 63)
12	1	106-07	Ring, Retaining SH-0075PA	56	2x1		Boot, Rubber (See Ref. 63)
13	2	112-194	Bolt, Banjo, M10x1.0, Double	57	2	812-30	Pin, Female
14	2	105-16	Bushing, Oilite - 3/4 x 1/2	58	2	117-03	Nut, Fin Hex 1/4-20 Zn
15	2	110-17	Key, 3/16 x 3/16 x .625	59	2	812-31	Fin, Male
16	1	117-21	Locknut, Nylon 5/16-18 Zn	60	2	112-02	SHSS 10-24x1/4 Knurl Cup PT, PL
17	2	112-47	SHCS, 1/4-20 x 1.0 Zn	61	4	165-38	Caliper Pin, Service Brake HDi
18	2	117-27	Locknut, Nylon 1/4-20 Zn	62	2x2	168-07	Pin, Cotter 1/8 x 3.00 Zn
19	1	112-155	C/Bolt 5/16-18x1.25 Gr2 Zn	63	2x1	161-25	O-Ring Kit - Master Cylinder - Grimeca (incl. Ref. 53, 55 & 56)
20	1	108-24	Washer, .34 x .70 x .06 Zn	64	4	160-44	Bolt, Banjo - M10 x 1,0 x 21,0
21	2	112-04	HHCS 1/4-20 x 3/4 Gr2 Zn	65	13	160-01	Washer, Copper - 1,5 x 10,0 x 14,0
22	2	108-03	Lockwasher 1/4 Split Ring Zn	68	1	165-35	Brake Line, Driver Side
23	2	103-66	HHCS, 1/4-20 x 4.0 Gr5 Zn	69	2	103-69	SHCS 1/4-20 x 1.5 Zn
24	4	108-08	Washer, .28 x .62 x .04 Zn	70	1	612-132	Bracket, LCD Gauge - Painted
25	2x8	108-24	Washer, .34 x .70 x .06 Zn	71	1	128-27	Grommet 1-1/4ID x 1-1/2x3/32
26	2	812-17	Collar	72	2	117-86	Nut, Acorn, 1/4-20 Zn
27	1	165-31	Handbrake, Left Hydraulic	73	3	117-85	Nut, Acorn, M5 Zn
28	1	165-34	Brake Line, Passenger Side	74	3	120-04	Washer .19 x .50 x.08 Zn
29	2	127-35	Grip, Molded				
30	1	127-81	Throttle Twist Grip				
31	1	612-116	Cable Asm., Throttle				
32			See Section 4.0 Power Pack Assembly				
33	1	166-10	Caliper, Hydraulic Brake - L w/o pads				
34	1	166-11	Caliper, Hydraulic Brake - R w/o pads				
35	2	161-05	O-ring Kit, Knott Caliper				
36	2		Seal, Piston				
37	2		Seal, Rubber				
38	2x1	168-20	Plug, Rubber				
39	2x1	168-02	Screw, Bleeding, Knott Caliper				
40	2x4	112-154	SHCS, 5/16-18 x 2.75 Zn				
41	1	170-03	Pad Set (4), Brake - Non-Asbestos				
42	2x4	117-03	Nut, Fin Hex 5/16-18 Zn				
43	2x2	168-01	Piston, Knott Caliper				
44	1	165-36	Brake Pad (4) Replacement - Kit				

6.0 Parking Brake

HDi Parts Manual



Ref.	Qty.	Part #	Description
1	3	104-57	Pin, Slotted .375 x 1.25
2	2	165-27	Bracket, E-Brake
3	2	112-185	SHCS 5/16 x 2.0 Zn
4	2	114-23	Spacer, .34 x .63 x .80
5	1	165-28	Band, Brake
6	1	34-243	Drum, E-Brake
7	2	112-173	Locknut, #5-40, Zn
8	1	165-33	Cable, Parking Brake - HDi
9	1	100-100	Pin, Cotter 1/8x3/4 Zn
10	2	103-06	HHCS 5/16-18x1.0 Gr5 Zn
11	1	104-27	Pin, Clevis 5/16x.75" Zn
12	1	850-79	Pulley, Parking Brake Cable
13	1	112-178	Bolt, Shoulder, 1/2 x 5/8
14	2	112-172	SHCS 5-40 x 3/4 Zn
15	1	108-35	Washer .53 x 1.06 x .09 Zn
16	6	108-24	Washer .34x.70x.06 Zn
17	7	108-47	Washer .39x.94x.13 Zn Di-Chro
18	1	809-147	Lever, Parking Brake
19	1	848-88	Wire Harness, Horn*
20	1	112-19	Screw,IHWH T/C Slot 1/4-20x1/2*
21	2	112-56	T/S Pan Head Phil #10x3/4 A Zn*
22	6	117-21	Locknut, Nylon 5/16-18 Zn
23	1	848-87	Horn, Electric*
24	1	613-120	Switch, Micro, Lever
25	1	118-52	Fuse, 10A 2-Prong (AT010)*
26	1	848-86	Button, Horn*
			*If equipped



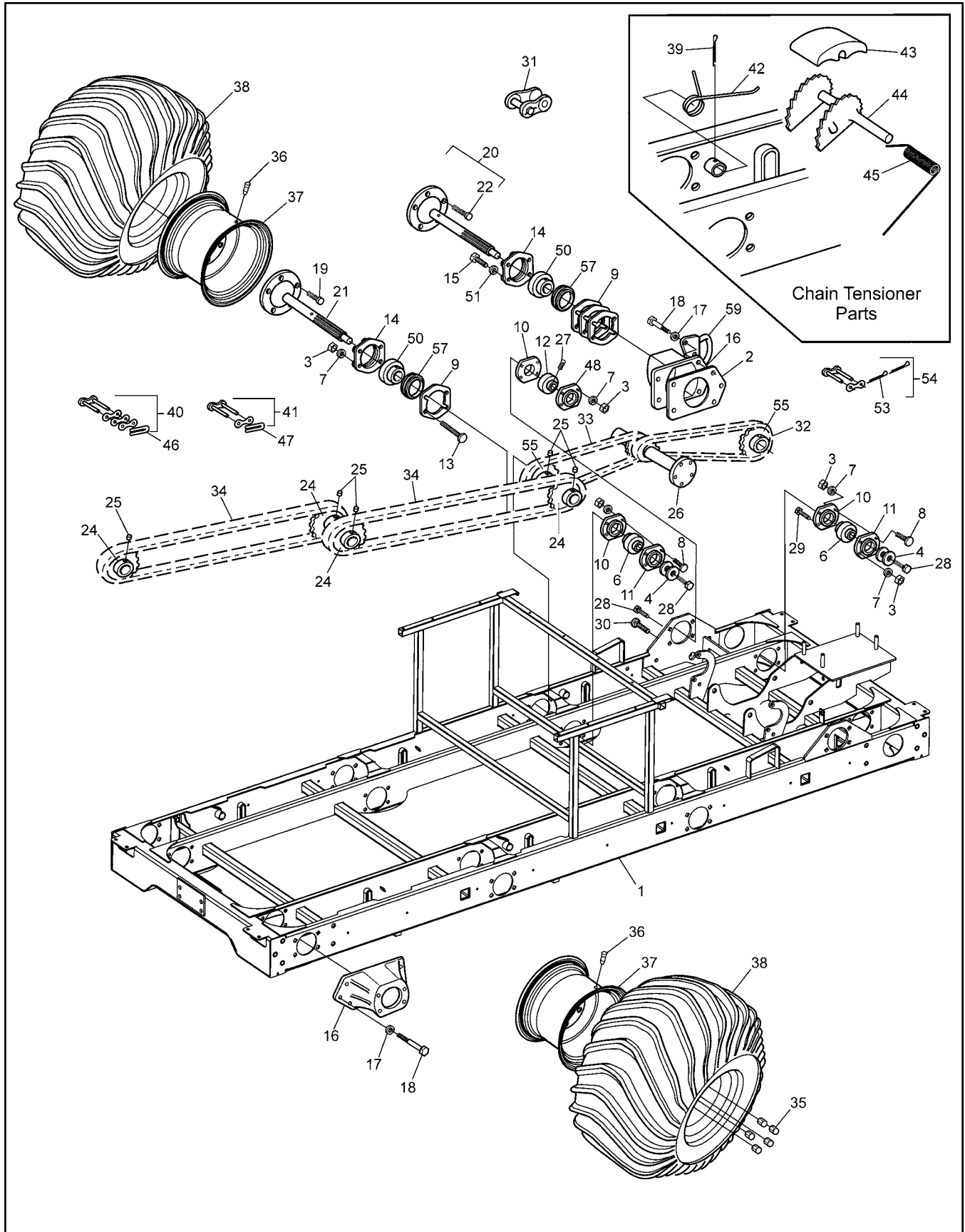
HDI Parts Manual

7.0 Vehicle Body & Firewall

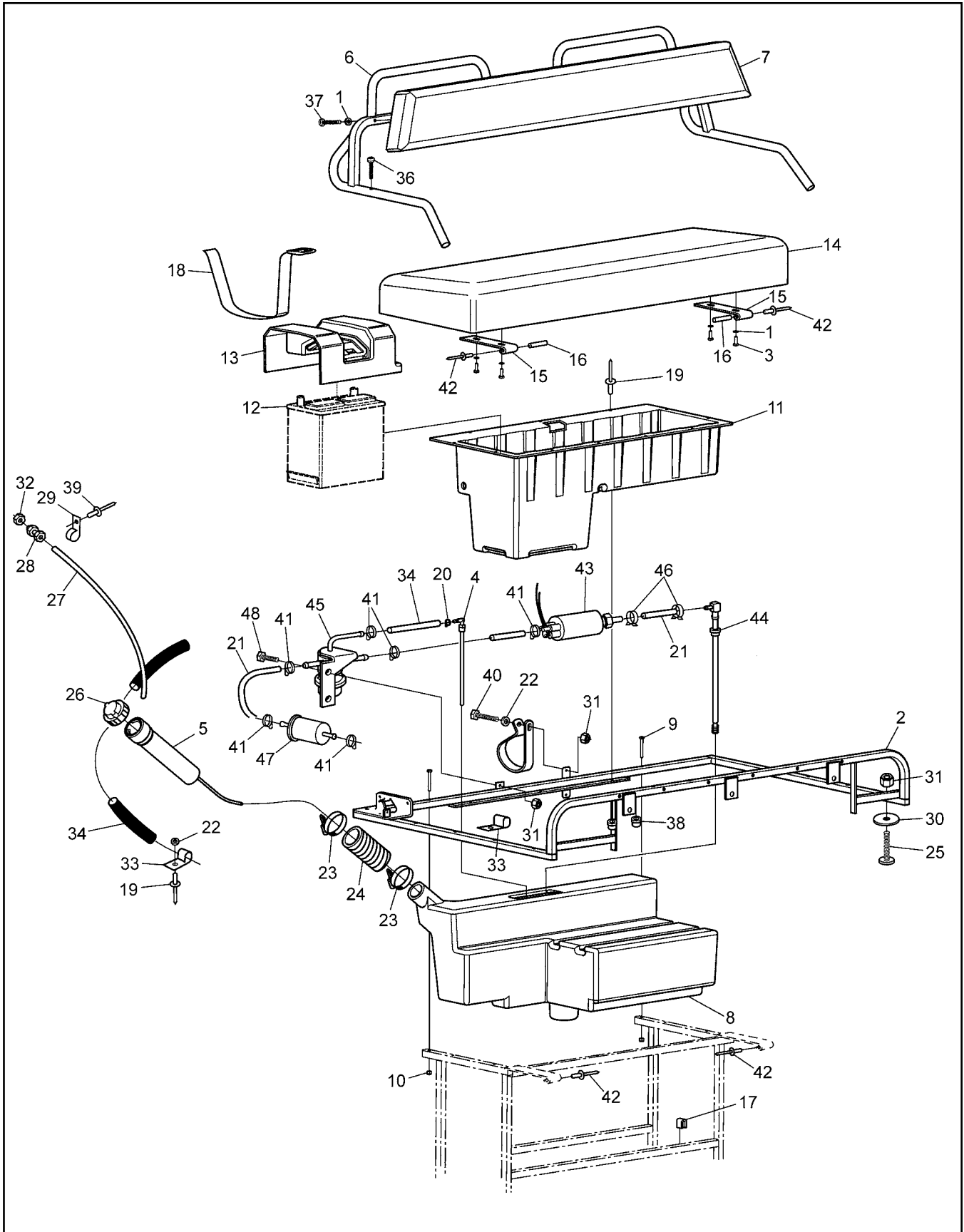
Ref.	Qty.	Part #	Description	Ref.	Qty.	Part #	Description
1	1	707-43	Screen - Exhaust	43	1	801-51	Skid Plate, 8x8 - Black
2	1	601-44	Nameplate, "Argo"	44	1	801-52	Body & Hood, Upper - (spec. colour) (incl. 23, 33, 34, 38)
3	2	127-45B	Knuckle, Hinge	45	113	120-09	Rivet 3/16 x 1 - Black
4	2	127-45A	Pin, Hinge	46	16	103-48	T/S Pan HD PHIL #10 x 5/8
5	1	601-101	Tube, Dash Handle	47	4	126-79	Bumper, Plastic - Black
6	2	100-109	Cup holder Insert	48	24	108-25	Washer .31 x .75 x .06 Zn
7	1	126-68	Plate, Operation	49	4	603-15	Washer, Plastic 5/16 Hole
8	1	707-42	Screen, Intake	50	4	103-08	HHCS 1/4-20 x 1.0 Zn
9	1	608-64	Seat, Rear - Left	51	2	112-04	HHCS 1/4-20 x 3/4 Gr2 Zn
10	1	609-42	Firewall, Admiral	52	1	126-60	Vinyl Strip, 1/2" x 1/4" x 37.5'
11	3	114-24	Retainer, Q-Turn Washer	53	8	108-59	Lockwasher #10 Int. Tooth Zn
12	3	117-91	Receptacle, Q-Turn	54	9	103-47	HHCS 10-24 x 1/2
13	1	608-65	Seat, Rear - Right	55	1	113-12	Insert, 1/2-13
14	1	126-67	Plate, Floor Pan	56	1	108-35	Washer .53 x 1.06 x .09 Zn
15	1	127-173	Plate, Vehicle Capacity	57	1	112-151	HHCS 1/2-13 x 1" Gr2 Zn
16	2	127-01	Reflector, Red	58	1	613-37	Terminal Strip, Ground
17	1	803-64	Floor Pan, Rear - HDi	59	13	120-13	Rivet, 3/16 x 3/4 Black
18	1	127-199	Label, Caution - Dash, HDi	60	1	117-10	Locknut, 10-24 N/I Zn
19	1	126-69	Plate, Fuel	61	38	120-24	Rivet, 3/32 x 3/8 Alum. (all plates)
20	2	127-196	Nameplate - Argo 750 HDi	62	2	100-114	Gasket, Drain Plug
21	2	601-09	Trim, Vinyl - 28"	63	2	117-82	Locknut, Flange 1/4-20 Zn
22	1	609-43	Glove Box, Firewall, HDi	64	1	602-51	Frame Ass'y, Hood - Rear
23	1	602-49	Frame Ass'y, Hood - Front	65	1	127-144	Label, Warning - HOT
24	1	801-05	Bumper, Vinyl - 8x8	66	1	128-26	Grommet, 1-1/2ID x 1-3/4x1/4
25	1	803-63	Floor Pan, Front - HDi	67	3	112-193	Stud, Q-Turn
26	1	801-50	Body, Lower	68	2	602-52	Clip, Hood
27	2	100-107	Plug, Drain - Flanged	69	1	616-20	Gasket, Rear Hitch
28	1	104-13	Pin, Toplink - 3/4 x 2.75	70	1	601-113	Panel, dash - Left, HDi
29	1	616-16	Hitch Assembly	71	1	104-57	Pin, Slotted .375 x 1.25
30	1	616-19	Tube, Hitch	72	1	127-192	Pivot, Hi-Lo Shaft
31	4	103-61	HHCS 3/8-24 x 1.5 Gr5 Zn	73	1	127-191	Bracket, Hi-Lo Shift - HDi
32	1	104-11	Pin, Lynch - Ring	74	1	601-112	Panel, Dash - Right, HDi
33	12	120-15	Rivet - 1/8 x 7/16	75	1		See Section 10.0 Electrical System
34	2	602-56	Latch, Hood - Soft Draw	76	1	127-198	Cable, Hi-Lo Shifter
35	4	112-180	Screw, Self-Drilling, #8x3/4	77	6	120-05	Washer .19 x .50 x .04 Zn
36	34	120-11	Rivet 5/32 x 9/16 - Black	78	1	127-200	Label, F-N-R - HDi
37	1	613-123	Post, Power, 5/16-18, Red	79	1	602-60	Scoop, Hood - HDi
38	1	602-47	Hood Kit (spec. colour) (incl. 3, 4, 34, 36, 40, 53, 54, 59, 67, 68, 79, 80)	80	1	602-59	Screen, Hood - HDi
39	2	117-44	T- Nut 1/4-20 Zn	81	2	809-166	Seal, 15" Long
40	99	120-04	Washer .19 x .50 x .08 Zn				
41	32	120-27	Pin, Magna Grip				
42	32	120-28	Collar, Magna Grip				

8.0 Frame and Drive System

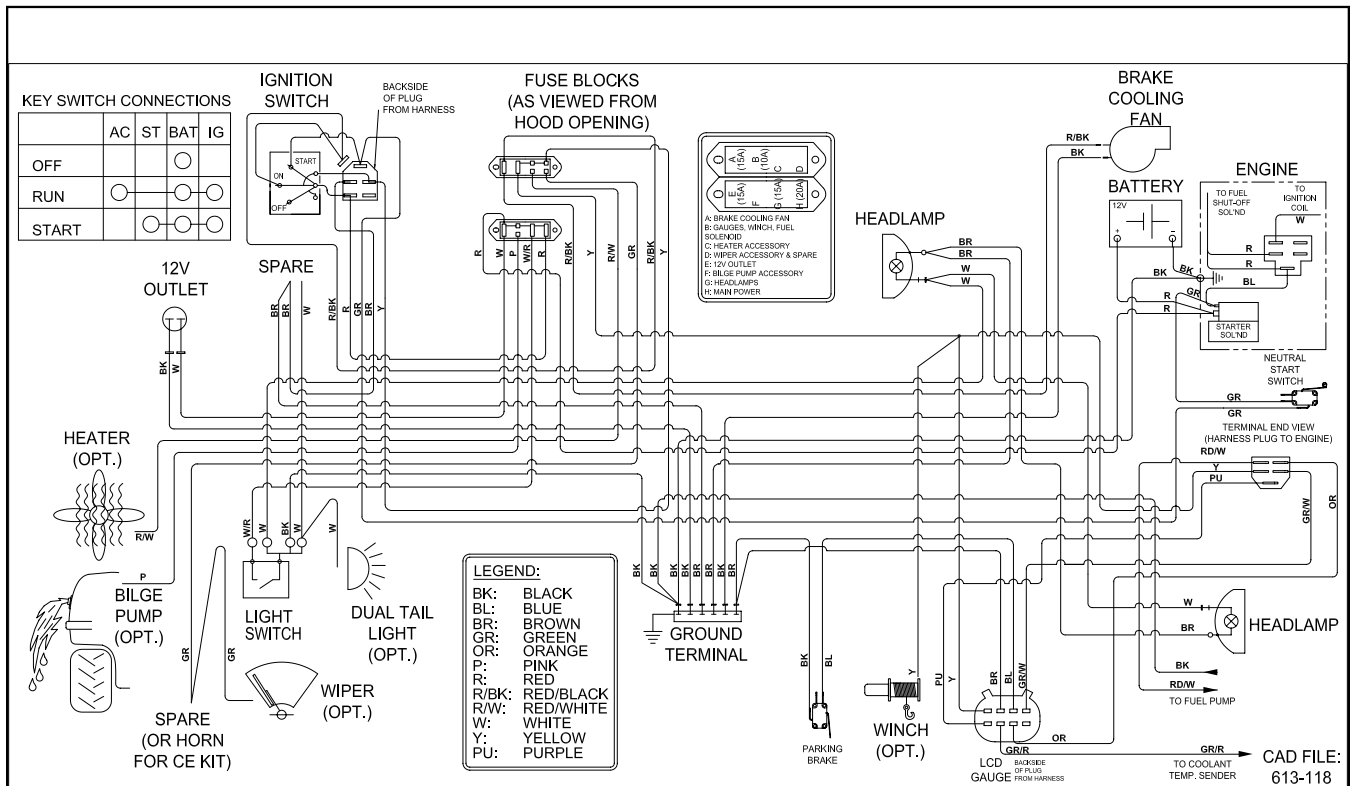
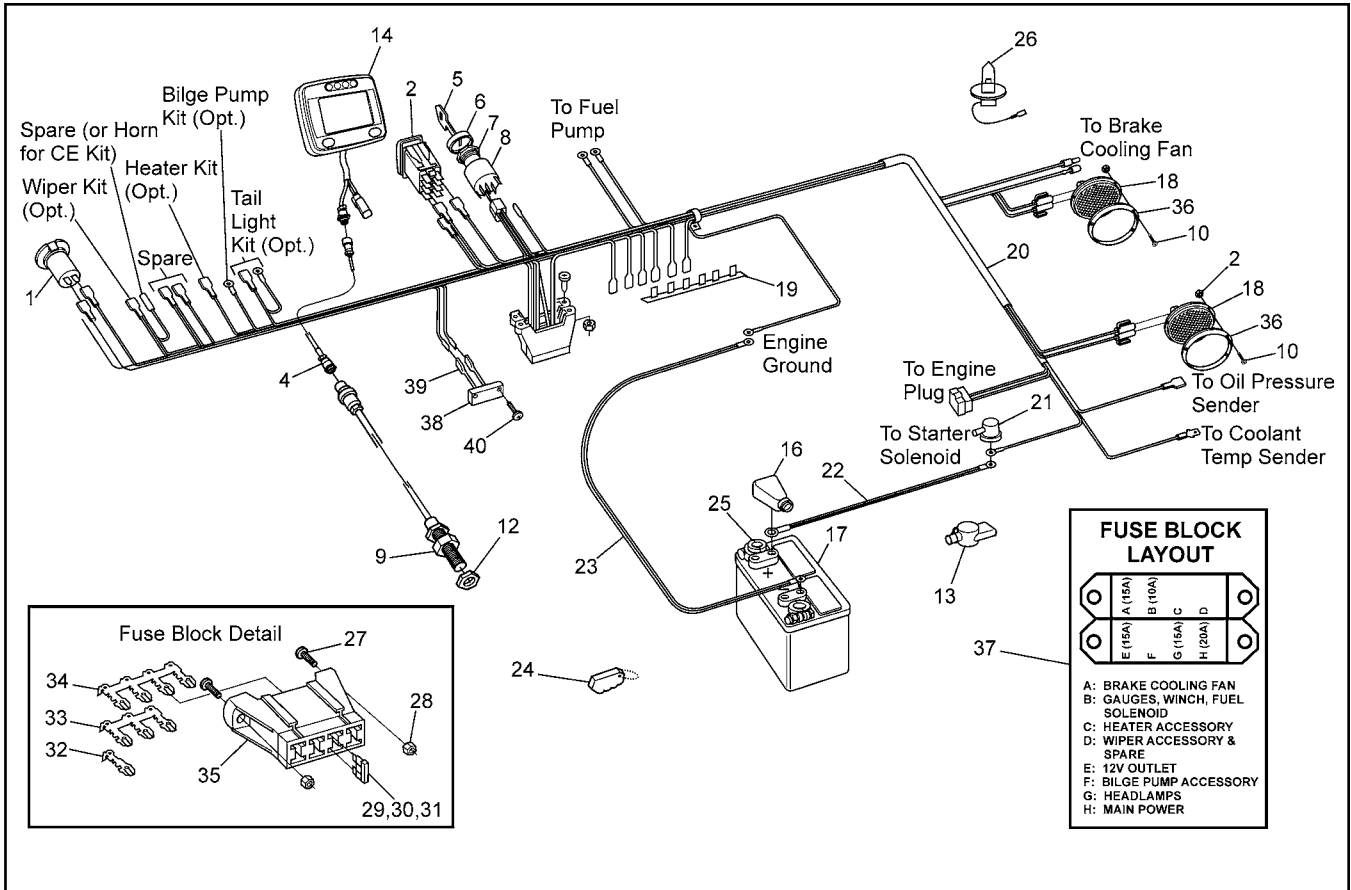
HDi Parts Manual



Ref.	Qty.	Part #	Description	Ref.	Qty.	Part #	Description
1	1	804-112	Frame Asm - 8x8 HDi	38	8	127-182	Tire, Argo 25x12-9
2	4	606-25	Gasket - Bearing Extension	39	6	100-01	Pin, Cotter 1/8 x 1.50 Zn
3	80	117-29	Locknut, Nylon 3/8-16 Zn	40	1x4	100-96	Con. Link, RC50-2 H.D.
4	16	108-46	Washer .40 x 1.37 x .12 Hi-Carbon	41	1x4	603-84	Con. Link, RC60-1 H.D.
6	8	101-41	Bearing, Ball - 1.0	42	6	127-65	Spring Torsion - 1.16x0.35
7	96	108-15	Washer, .42 x .81 x .05 Zn	43	6	606-44	Slider Block
8	31	103-88	C/Bolt 3/8-16 x 1.0 Gr5 Zn	44	6	606-82	Tensioner Asm, Chain
9	16	606-90	Gasket, Flange - 72mm	45	6	127-64	Spring, Torsion - .76 x 1.9
10	20	606-91	Flange - 4 Hole Hd	46	4	603-95	Spring Clip - RC 50 Closed
11	10	606-92	Flange, Greasable - 4 Hole Hd	47	4	603-96	Spring Clip - RC 60 Closed
12	2	101-96	Bearing, Ball - 1.25x1.5 No Grv	50	8	101-95	Bearing, Ball - 1.25 x 72mm
13	16	112-187	C-Bolt 3/8-16x2.0 Gr5 Zn	51	16	108-06	Lockwasher 3/8 Split Ring Zn
14	8	606-88	Flange Ass'y, Outer Bearing	53	4	104-35	Pin, Cotter 2mm x 12mm
15	16	103-68	HHCS 3/8-16 x 2.0 Gr5 Zn	54	2	603-94	Con. Link, RC60-1 Cotter Pin
16	4	810-112	Bearing Extension w/nuts	55	4	810-28	Sprocket, Double - 24T
17	20	108-34	Washer .47 x .94 x .06 Zn	57	8	606-89	Carrier, Axle Bearing
18	20	112-181	HHCS 7/16-20 x 1.75 Gr5 Zn	59	2	642-47	Tie Down Bracket
19	5x4	103-80	Stud, Wheel 7/16-20 x 1.125 #B271				
20	4	810-92	Axle Asm - Front/Rear (incl. Ref. 19)				
	4	810-113	Axle Asm - Mid HD (Opt.)				
21	4	810-75	Axle Asm - Mid (incl. Ref. 19)				
22	5x4	112-183	Stud, Wheel 7/16-20 x 1.5				
24	8	606-34	Sprocket, S60 x 19T				
25	10	112-03	SHSS 5/16-18 x 3/8 1/2 DOG, PL				
26	1		See Section 4.0 Power Pack Ass'y				
27	2	112-60	SHSS 1/4-28 x 1/2 Cup Pt.				
28	12	112-31	HHCS 3/8-16 x 1.0 2B Gr8 Zn				
29	1	112-163	HHCS 3/8-16 x 2.0 Gr5 Zn				
30	4	112-61	C/Bolt 3/8-16 x 1.25 Gr5 Zn				
31		127-80	Link, Half - RC60 - 1 (opt.)				
32	2	603-19	Chain, RC50-2x44P-Front (incl. Ref. 40)				
33	2	803-65	Chain, RC50-2x80P-Middle (incl. Ref. 40)				
34	4	803-57	Chain, RC60-1 x 90P-Rear (incl. Ref. 41)				
35	5x8	117-35	Nut, Wheel 7/16-20 Zn				
36	8	125-26	Valve, Tire				
37	8	127-61BL	Rim - 10 x 9 - Black				



Ref.	Qty.	Part #	Description
1	8	108-03	Lockwasher 1/4 Split Ring Zn
2	1	608-128	Frame Assembly, Seat HDi
3	4	112-04	HHCS 1/4-20x3/4 Gr2 Zn
4	1	608-86	Pick-up, Fuel, 1/4"x 6.75" (Return Tube)
5	1	608-59	Neck Assembly, Vented Filler
6	1	608-76	Frame Assembly, Backrest
7	1	608-39	Back pad Assembly
8	1	608-91	Tank, Fuel - Avg
9	2	103-77	HHCS, 1/4-28 x 2.0
10	2	117-01	Locknut, Nylon 1/4-28 Zn
11	1	608-54	Toolbox
12	1	127-54	See Section 10.0 Electrical System
13	1	608-55	Cover, Battery
14	1	608-88	Seat Assembly, Bench - Thick
15	2	608-81	Hinge, Seat, Bolted
16	2	104-43	Pin, 3/16" x 1-1/8"
17	4	702-06	Foam Cushion
18	1	608-56	Strap, Battery
19	17	120-09	Rivet 3/16x1 - Black
20	4	112-79	Clamp, Hose, 1/2" - Black
21	1	608-69	Hose, Fuel 5/16" ID x 7.5' - Carb
22	9	120-04	Washer .19 x .50 x .08 Zn
23	2	100-12	Clamp, Gear 2.25" HF-36
24	1	125-94	Hose, Filler
25	10	112-07	RHMS 10-24 x 1.50 Zn
26	1	126-46	Cap, Fuel
27	1	127-21	Hose, Vent - 109"
28	1	126-50	Male Connector, 1/4"
29	6	126-94	Clamp, Nylon Wire - 1/4" ID
30	10	108-42	Washer .21 x 1.0x.06 Zn
31	14	117-10	Locknut, Nylon #10-24 Zn
32	1	117-54	Nut, Locking PAL 1/2-20 Zn
33	7	126-93	Clamp, Nylon Wire - 1/2" ID
34	1	608-66	Hose, Fuel 1/4" ID, 80"
36	2	112-41	PHMS, Phil 1/4-20 x 1.25 Zn
37	4	103-03	PHMS, Phil 1/4-20 x 1.50 Zn
38	2	117-64	Insert, 1/4-20 Steel Cad Pltg.
39	4	120-13	Rivet, 3/16 x 3/4 Black
40	2	112-182	HHCS, 10-24 x 3/4 Gr2 Zn
41	7	100-101	Clamp, Gear 1/2" HF or MH-4
42	4	120-31	Rivet, 3/16" x 1/4, Open End
43	1	24 393 52	Fuel Pump, EFI
44	1	608-127	Pick-up, Fuel, 5/16 105 Mesh
45	1	24 403 16	Regulator, Fuel Pressure
46	2	112-78	Clamp, Hose, 9/16
47	1	24 050 03	Filter, Fuel Line - EFI - c/w engine
48	2	103-47	HHCS, 10-24 x 1/2



Ref.	Qty.	Part #	Description
1	1	613-90	Outlet, 12 Volt DC
2	1	613-153	Switch, Light
3	8	117-93	Nut, Speed #10
4	1	613-128	Cable, Extension, Speedo Pickup
5	2	127-108	Key, Molded
6	1	127-107	Bezel - Cover, Nut
7	1	127-106	Nut, Flanged - Plastic
8	1	127-105	Switch - Ignition
9	1	613-126	Sensor, Speedo Pickup
10	8	112-198	T/S Pan Hd. Phil #10 x 1.25 Blk. Zn
12	1	117-87	Nut, M12 x 1.25, Zn
13	1	613-124	Insulator, 2 Way w/cap, Red
14	1	613-130	Gauge, LCD
16	1	127-55	Cap, Battery Terminal - Red
17	1	127-54	Battery, Exide 45-60
	1	613-161	Battery, Optima - Argo (Optional)
18	2	613-159	Headlight Ass'y - 37.5W
19	2	613-37	Terminal Strip, Ground
20	1	613-118	Wire Harness, Kohler 31HP EFI
21	1	613-46	Insulator, Terminal (2 ga.)
22	1	613-94	Wire, Positive Battery
23	1	613-95	Wire, Negative Battery
24	1	681-00	FOB, Key - Floating
25	2	127-56	Terminal, Battery Post
26	2	127-46	Bulb, Headlight - Halogen 37W
27	2	112-51	Screw, IHWH T/C #10-24 x 5/8
28	4	117-10	Locknut, Nylon #10-24 Zn
29	1	118-52	Fuse, 10A 2 Prong (AT010)
30	3	118-49	Fuse, 15A 2 Prong (AT015)
31	1	118-53	Fuse, 20A 2 Prong (AT020)
32	9	118-62	Terminal - Fuse, single
33	1	118-63	Terminal - Fuse, triple
34	1	118-61	Terminal - Fuse, quad
35	2	118-60	Block - Fuse, 8 position (4 fuse)
36	2	613-152	Bezel, Headlamp
37	1	127-143	Label, Fuse Panel - Kohler
38	1	613-99	Light, Shifter Illumination
39	2	118-69	Terminal, 3/16 Male Blade 22 Ga
40	2	112-139	OHPS T/S #4 x 5/8 Black Zn

ARGO Products Manufactured by:

Ontario Drive & Gear Limited

220 Bergey Court

New Hamburg, Ontario

Canada N3A 2J5

Phone: (519) 662-2840

Fax: (519) 662-2421

www.argoatv.com

ODG *Dedicated to quality and performance*