

Argo 6x6
Frontier



Argo 6x6

2018 PARTS MANUAL

Frontier 6x6 ST
Frontier 6x6 ST LE

From Serial # 18717 to 18905
23 HP Engine w/Admiral Transmission

** For factory installed accessory parts included with your vehicle see Accessories Manual 677-01 (2018)*

Foreword

ODG has prepared this parts manual for the 6x6 Frontier model to assist both qualified mechanics and vehicle owners in ordering correct, quality replacement ARGO parts. For the most current parts manual visit our website at www.argoxtv.com.

Proper and regular service, and replacing old, worn or broken parts with the correct ARGO replacement parts, are both essential to prolonging the life of the ARGO. Please refer to this parts manual and/or our website www.argoxtv.com before ordering any replacement part.

All information contained in this 6x6 Frontier Parts Manual is based on the latest product specification available at time of printing. If your 6x6 Frontier differs from the specifications contained in this manual, check our website www.argoxtv.com for the most current information.

ODG reserves the right to alter specifications on the 6x6 Frontier model at any time, without obligation or prior notification.

Reproduction of this 6x6 Frontier Parts Manual, in whole or in part, is prohibited without prior written permission from Ontario Drive & Gear Limited.

Vehicle Identification

6x6 750 HDi - Serial Nos. ...18717

Explanation of Parts Manual Format

- | | |
|--------------------|--|
| Ref | - Reference number between assembly diagram and component parts list |
| Part No. | - Argo replacement part number for identification and re-ordering |
| Description | - Part description for identification and re-ordering |
| Qty | - Indicates the quantity of a part used in an assembly |

Argo 6x6 Frontier



Using the Parts Manual

1. Find the major vehicle assembly in the Table of Contents on this page, and turn to that section.
2. Locate the part in the illustration that you wish to order.
3. Refer to the parts list in that section.
4. Find the correct part number (Part No.), part description (Description) and correct quantity (Qty).
5. Use *only* this information to order ARGO replacement parts. **DO NOT** attempt to order a replacement part by reference number or page number.

Table of Contents

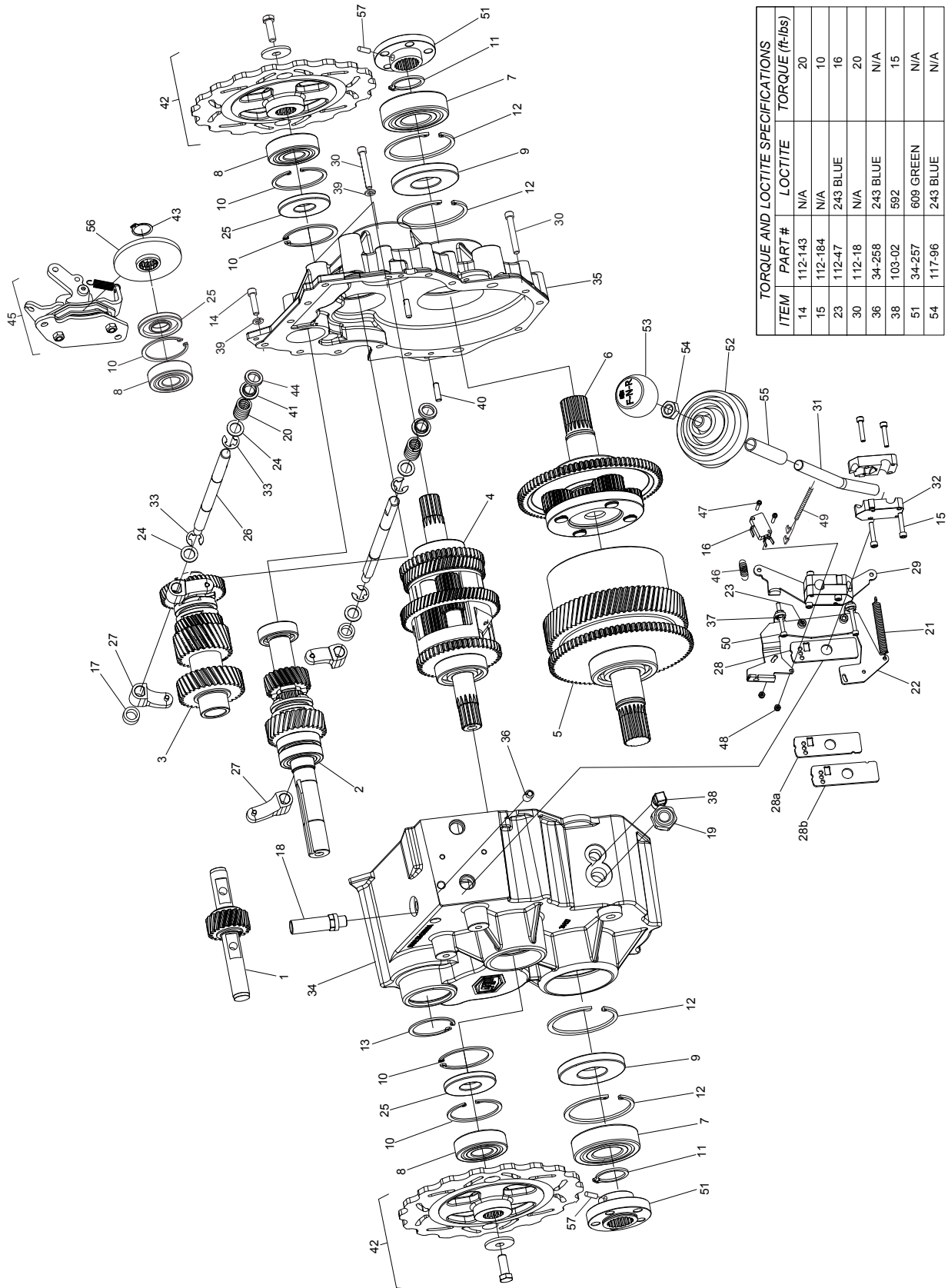
Foreword	i
Vehicle Identification	i
Using the Parts Manual	ii
1.0 Transmission	2
1.1 Transmission Sub-Assemblies	4
2.0 Intake and Exhaust System	6
3.0 Clutch System	8
4.0 Power Pack Assembly	10
5.0 Steering & Brake System	12
6.0 Parking Brake	14
7.0 Vehicle Body & Firewall	16
8.0 Frame & Drive System	18
9.0 Fuel System & Seat Assembly	20
10.0 Electrical System	22



***Frontier 6x6 ST LE
w/Deluxe Seats and tundra green body***

1.0 Transmission

Frontier ST 6x6 Parts Manual

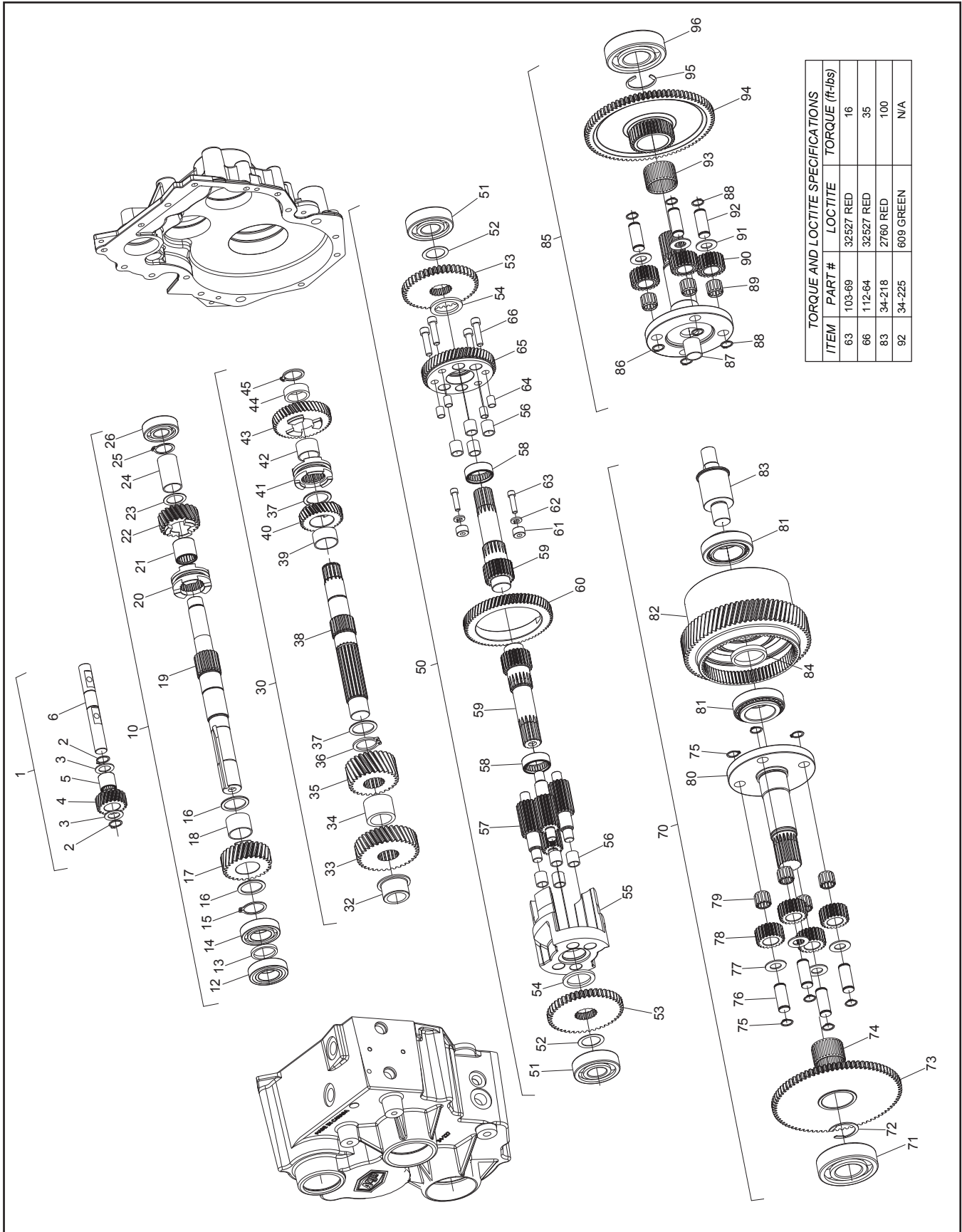


TORQUE AND LOCTITE SPECIFICATIONS		
ITEM	PART #	LOCTITE TORQUE (ft-lbs)
14	112-143	N/A
15	112-184	N/A
23	112-47	243 BLUE
30	112-18	N/A
36	34-258	243 BLUE
38	103-02	592
51	34-257	609 GREEN
54	117-96	243 BLUE

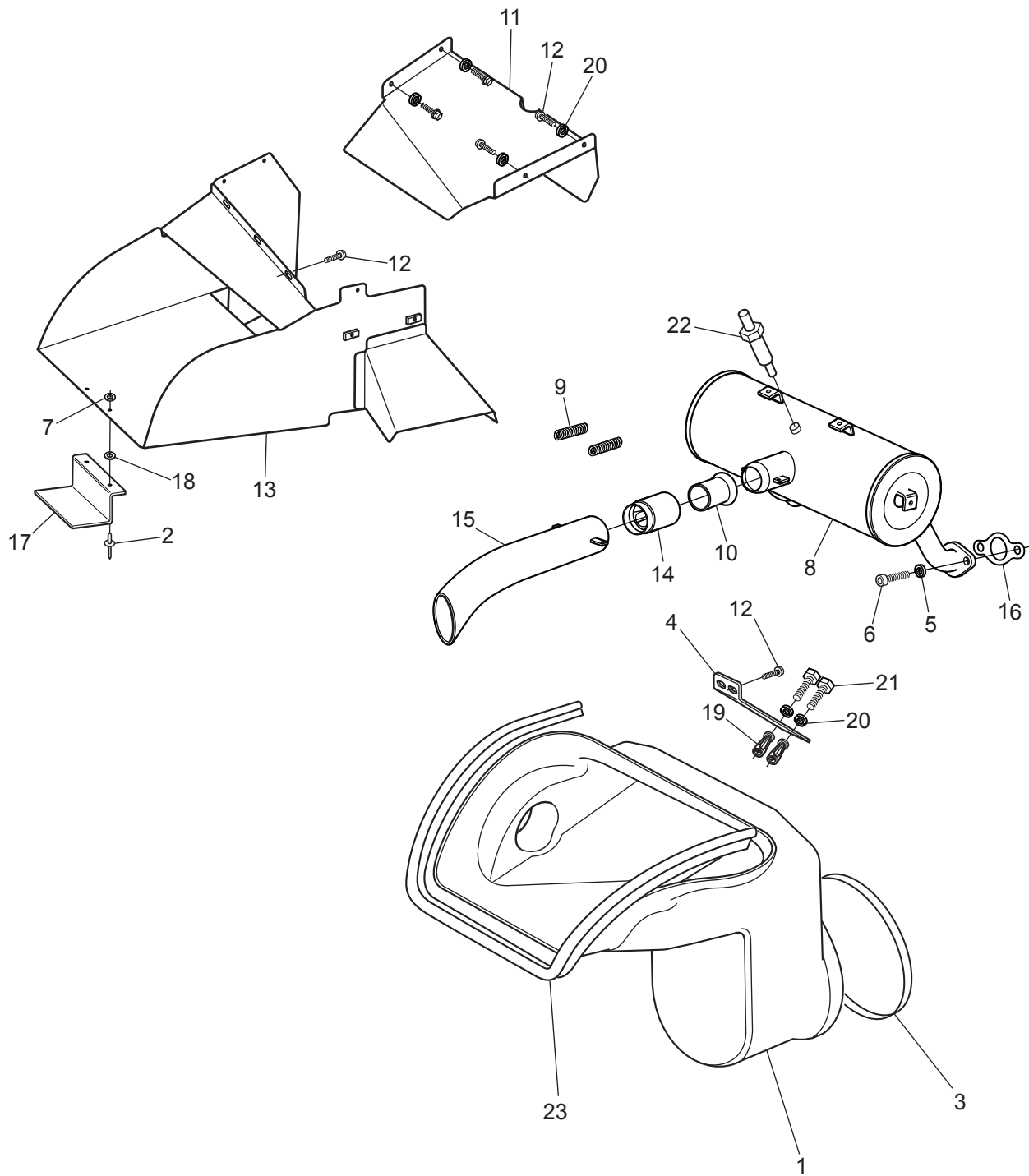
Ref.	Qty.	Part #	Description	Ref.	Qty.	Part #	Description
	1	34-200-7	Transmission Admiral	49	1	613-112	Wire Harness, Neutral Start
	1-6		See Section 1.1 Trans. Sub Assemblies	50	2	112-195	SHCS 8-32 x 1.5 Stainless
7	2	101-81	Bearing, Ball 6307 ZZE	51	2	34-239	Coupler, Output Shaft - 34-200
8	3	101-86	Bearing, Ball 6305 Zz	52	1	609-44	Boot, F-N-R Shifter
9	2	102-33	Seal, Oil 35x80x10	53	1	127-226	Knob, Shift F-N-R - HD
10	5	106-05	Retaining Ring HO-244-PA	54	1	117-96	Nut, Jam 1/2-13
11	2	106-23	Retaining Ring SH-0137-PA	55	1	127-228	Sleeve, Insulating - 2.75"
12	4	106-24	Retaining Ring H0-312-PA	56	1	165-52	Rotor, E-Brake
13	1	106-26	Retaining Ring H0-206-PA	57	2	104-75	Pin, Spring, 3/16x13/16 Zn
14	10	112-143	SHCS 5/16 x 1.25 Zn				
15	8	112-184	SHCS, 10-32 x 1				
16	1	613-151	Switch, Micro, Roller Lever				
17	2	114-21	Spacer, .51x.75x.36				
18	1	34-245	Plug, Fill/Vent 1/2 BSPP				
19	1	34-251	Site Glass, 1/2 BSP Aluminum				
20	2	127-186	Spring, Comp. 0.70x1.28				
21	1	127-194	Spring, Ext .360x3.0				
22	1	34-241	Bracket, Switch, Spring Mount				
23	2	112-47	SHCS 1/4-20 x 1.0 Zn				
24	4	108-35	Washer .53x1.06x.09 Zn				
25	3	102-37	Seal, Oil 25x62x7				
26	2	34-231	Shaft, Shift - F-N-R				
27	4	34-232	Fork, Shift - Half				
28	1	34-233	Plate, Detent				
28a	1	34-233L	Plate, Detent, Left Adj.				
28b	1	34-233R	Plate, Detent, Right Adj.				
29	1	34-242	Bracket, Spring Mount				
30	8	112-18	SHCS 5/16x2.25				
31	1	34-235	Lever, Shaft - F-N-R				
32	4	34-236	Clamp, Lever Shaft				
33	4	106-30	Retaining Ring E-0050 E				
34	1	34-227	Housing, Admiral, Left (includes Ref. # 36)				
35	1	34-228	Housing, Admiral, Right				
36	1	34-258	Plunger, Ball - Nose Spring				
37	4	117-92	Nut, Hex Machine #8-32 Zn				
38	1	103-02	Plug, Magnetic 3/8-18Npt Sq. Hd				
39	11	108-05	Lockwasher 5/16 Split-Ring Zn				
40	2	104-03	Pin, Dowel 1/4x7/8				
41	2	105-33	Bushing, Flange				
42			See Section 4.0 Power Pack				
43	1	106-29	Retaining Ring SH-0093-PA				
44	2	102-36	Seal, Shift Shaft - 0.5 x .75 x .125				
45			See Section 6.0 Parking Brake				
46	1	127-195	Spring, Ext., .75 x 2.73				
47	2	112-172	SHCS 5-40 x 3/4 Zn				
48	2	112-173	Locknut, #5-40 Zn				

1.1 Transmission Sub-Assemblies

Frontier ST 6x6 Parts Manual



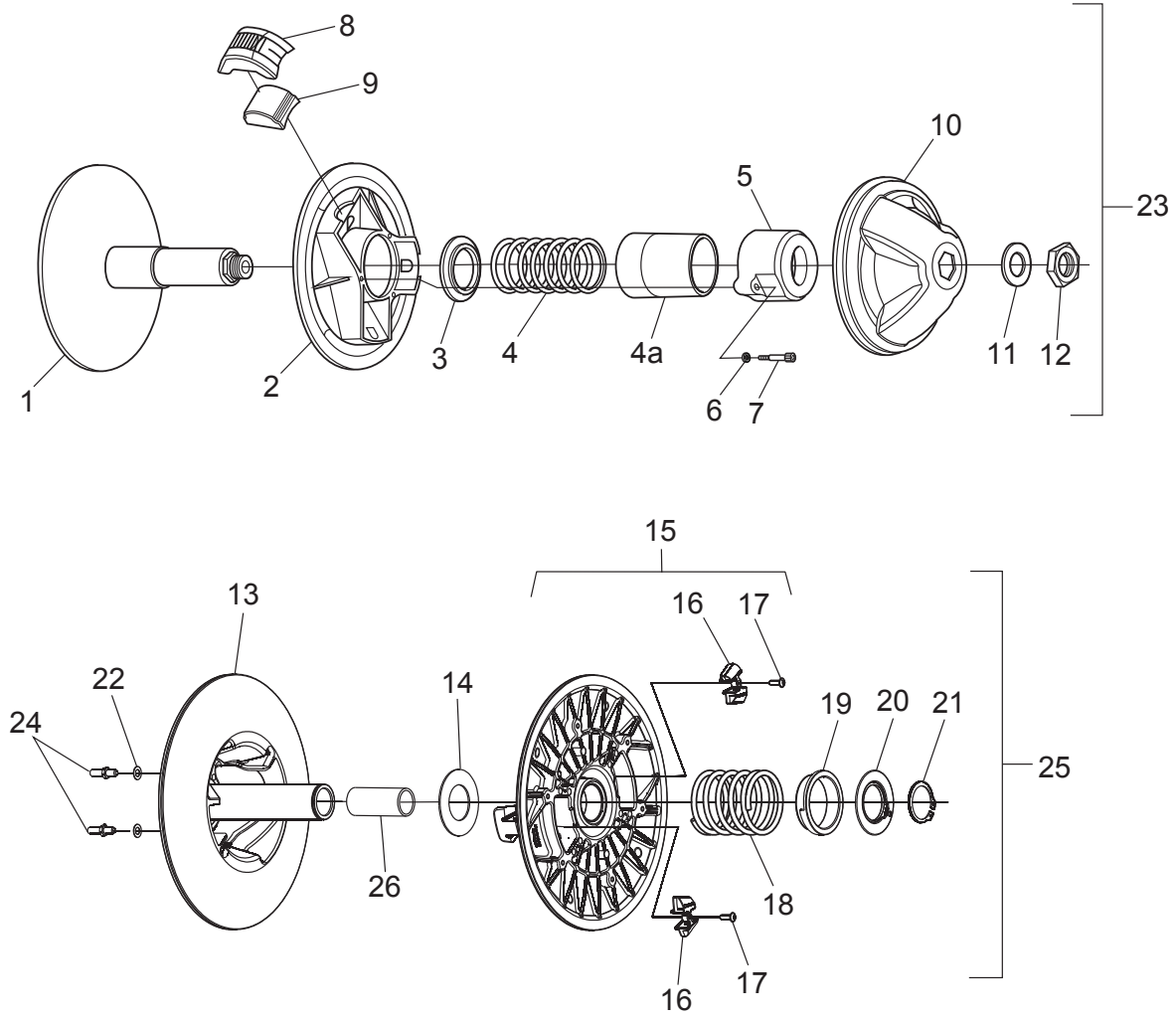
Ref.	Qty.	Part #	Description	Ref.	Qty.	Part #	Description
1	1	34-290	Asm, Reverse Shaft - Adm. includes:	60	1	34-205	Gear, Helical - 67T
2	2	106-25	Retaining Ring SH-0078-PA	61	2	105-28	Bushing, Dowel .26x.625x.36
3	2	108-99	Washer, Thrust .79x1.25 x .06	62	2	108-03	Lockwasher 1/4 Split Ring Zn
4	1	34-220	Pinion, Idler - 20T	63	2	103-69	SHCS, 1/4-20 x 1.5 Zn
5	1	101-87	Bearing, Needle HMK20x27x25	64	4	105-23	Bushing, Dowel - .312 x .5
6	1	34-221	Shaft, Shift - Reverse	65	1	34-204	Gear, Helical - 55T
10	1	34-291-7.3	Asm, Input Shaft includes:	66	4	112-64	SHCS 5/16 x 18 x 1.25
12	1	101-89	Bearing, Ball 60/28 Llu	70	1	34-294-HS	Asm, Output Shaft LH-Adm. includes
13	1	114-19	Spacer, 1.12x1.375x.148	71	1	101-73	Bearing, Ball 6307 CL.N.
14	1	101-88	Bearing, Ball 60/28	72	1	106-31	Retaining Ring C-0137
15	1	106-27	Retaining Ring SH-112-PA	73	1	34-207-HS	Gear, Sun - 84T, 35T
16	2	108-98	Washer, Thrust 1.13x1.46x.062	74	1	101-83	Bearing, Needle KJ37x42x27S
17	1	34-215	Pinion, For.-27T,12Dp	75	8	106-22	Retaining Ring SH-0056-PA
18	1	105-32	Bushing, Bronze 1.125x1.25x.875	76	4	34-225	Pin, Planet Carrier
19	1	34-213	Shaft, Input	77	4	108-93	Washer, .59x1.10x.06
20	1	34-224	Collar, Shift, For-Rev	78	4	34-217	Gear, Planet - 21T
21	1	101-90	Bearing, Needle HK2220	79	4	101-82	Bearing, Needle KM J15x21x17S
22	1	34-214	Pinion, Reverse - 21T,12Dp	80	1	34-216	Shaft, Output
23	1	114-17	Washer, Thrust .866x1.181x.039	81	2	101-76	Bearing, Tapered Roller 32008X
24	1	114-18	Spacer, .865x1.0x1.75	82	1	34-219	Planetary Hub
25	1	106-25	Retaining Ring SH-0078-PA	83	1	34-218	Shaft, Planetary Stub
26	1	101-01	Bearing, Ball 6204Z-C3	84	1	114-22	Spacer, 1.585x1.75x.245
30	1	34-295-7.3	Asm, Idler Shaft includes:	85	1	34-293-HS	Asm, Output Shaft RH - Adm. includes:
32	1	105-30	Bushing, Flanged 1x1.375	86	1	34-226	Shaft, Output, Right
33	1	34-211	Gear, Helical - 35T	87	1	105-26	Bushing, Oilite .75x.875x.875
34	1	108-96	Spacer, 1.125x1.5x1.083	88	8	106-22	Retaining Ring SH-0056-PA
35	1	34-209	Pinion, Helical - 27T	89	4	101-82	Bearing, Needle KM J15x21x17S
36	1	106-28	Retaining Ring SHR-0112-PA	90	4	34-217	Gear, Planet - 21T
37	2	108-98	Washer, Thrust 1.13x1.46x.062	91	4	108-93	Washer, .59x1.10x.06
38	1	34-208	Shaft, Idler	92	4	34-225	Pin, Planet Carrier
39	1	105-31	Bushing, Bronze 1.125x1.25x.625	93	1	101-83	Bearing, Needle KJ37x42x27S
40	1	34-210	Pinion, Helical - 31T	94	1	34-207-HS	Gear, Sun - 84T, 35T
41	1	34-223	Collar, Shift, Hi-Low	95	1	106-31	Retaining Ring C-0137
42	1	105-29	Bushing, Oilite 1.0x1.125x.75	96	1	101-73	Bearing, Ball 6307 CL.N.
43	1	34-212	Pinion, Helical - 43T				
44	1	108-97	Spacer, 1.01x1.3x.409				
45	1	107-15	Retaining Ring SHR-98-PA				
50	1	34-292-HS	Asm, Differential - Adm. includes:				
51	2	101-40	Bearing, Ball 6305 Open				
52	2	114-16	Washer, SHIM .99x1.375x.030				
53	2	34-203-HS	Pinion, Spur - 43T				
54	2	108-94	Washer, Thrust 1.25x1.688x.125				
55	1	34-206	Cage, Differential				
56	8	105-27	Bushing, Oilite .5x.625x.625				
57	4	34-202	Gear, Planet - 15T				
58	2	101-84	Bearing, Needle HK3012				
59	2	34-201	Shaft, Brake				



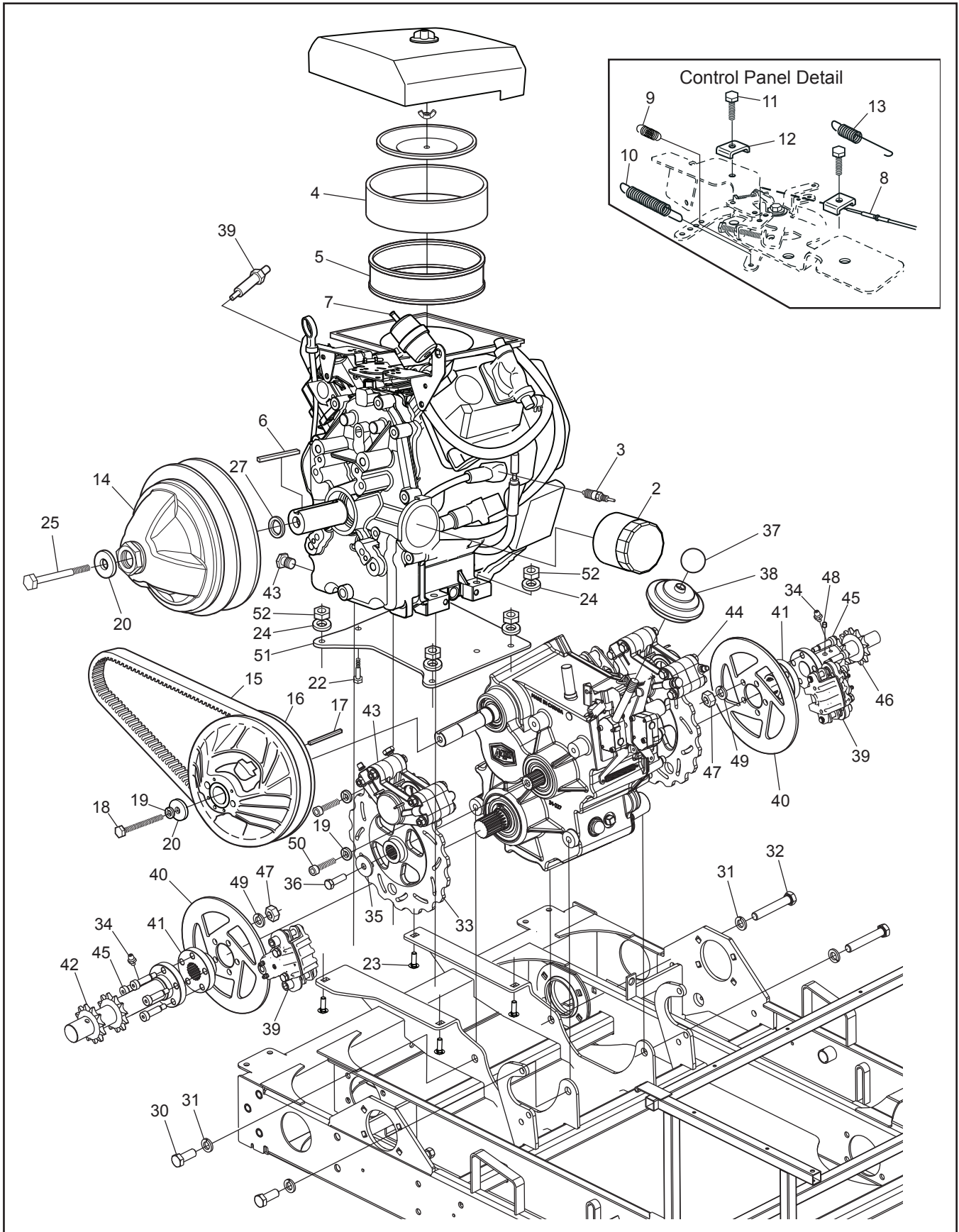
Ref.	Qty.	Part #	Description
1	1	809-15	Duct, Intake - Frontier
2	2	120-13	Rivet, 3/16 x 3/4" Black
3	1	807-77-30	Seal, Radiator, 30
4	1	707-55	Bracket, Intake Duct - Frontier EFI
5	4	108-02	Lockwasher 5/16 Hi-Collar Bare
6	4	112-30	SHCS M8x1,25x20mm Zn
7	4	120-04	Washer, .19 x .50 x .08 Zn
8	1	607-121	Muffler Ass'y, Avenger EFI
9	2	127-187	Spring, Extension - 17/32 x 3.75
10	1	607-135	Tube, Muffler, Flared x 2.0
11	1	607-210	Shield, Heat, Frontier EFI
12	9	112-19	Screw, IHWH T/C Slot 1/4-20 x 1/2
13	1	607-164	Duct, Exhaust - Frontier
14	1	607-171	Spark Arrester, ODG
15	1	607-134	Pipe, Tail Asy
16	2	24 041 49	Gasket, Exhaust Manifold
17	1	707-45	Support, Exhaust Duct
18	2	125-58	Washer, Fibre - W-77F
19	2	117-53	Nut, Jack 1/4-20 8L-JNS Zn
20	6	108-03	Lockwasher 1/4 Split Ring Zn
21	2	103-97	HHCS 1/4-20 x 1.25 Gr5 Zn
22	1		See Section 4.0 Power Pack Assembly
23	1	807-77-56	Seal, Radiator, 56"

3.0 Clutch System

Frontier ST 6x6 Parts Manual



Ref.	Qty.	Part #	Description
1	1	0405-0138	Flange, Fixed
2	1	0410-0033	Flange, Sliding
3	1	0150-1014	Spring Guide Washer
4	1	1151-1114	Spring
4a	1	0450-3002	Guide, Spring
5	1	0440-0005	Spring Cover
6	3	0080-0167	Lockwasher
7	3	0080-0021	Screw, Cap
8	3	0130-3012	Block
9	3	0135-3065	Weight (275gr)
	1	127-208	Weight Set (3), 185g - High Elevation (See Bulletin NP #5)
	1	127-209	Weight Set (3), 220g - High Elevation (See Bulletin NP #5)
	1	127-210	Weight Set (3), 240g - High Elevation (See Bulletin NP #5)
10	1	0115-2061	Cap
11	1	0080-0804	Washer, Zn
12	1	V16J1	Nut
13	1	5905-0003	Flange, Fixed
14	1	0080-0164	Washer, Shim
15	1	5910-0002	Flange, Sliding
16	2	5930-3001	Cam Shoe
17	2	0080-0031	Screw
18	1	5951-1009	Spring
19	1	5950-3003	Spring Protector
20	1	5950-3002	Spring Support
21	1	0080-0216	Retaining Ring, Outside
22	2	0080-0167	Lockwasher
23	1	610-126	Clutch, Driver - 650
24	2	0080-0035	Screw & Nut Ass'y
25	1	127-156	Clutch, Driven - INVANCE
26	1	5940-2001	Keyway Stopper



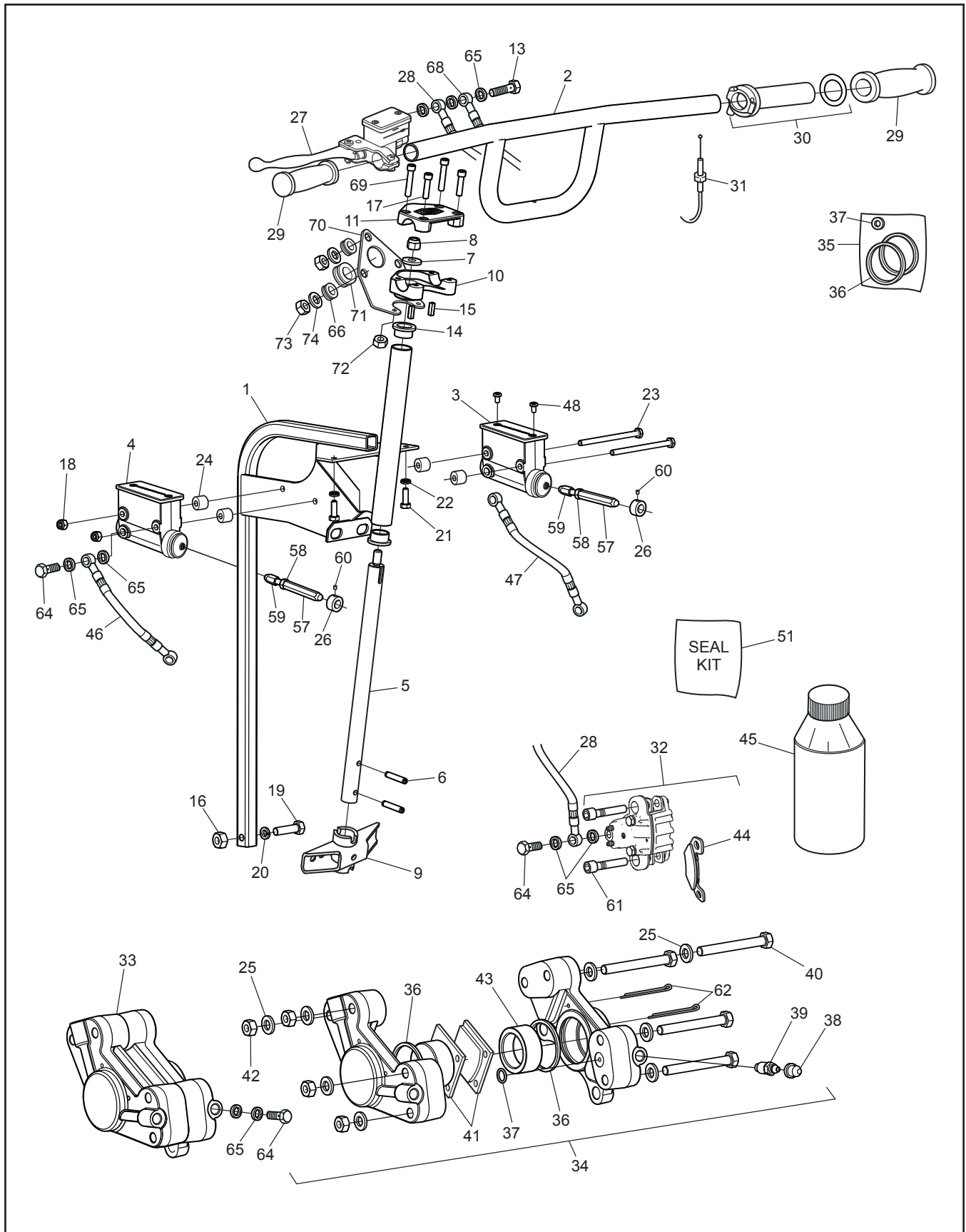
Frontier ST 6x6 Parts Manual

4.0 Power Pack Assembly

Ref.	Qty.	Part #	Description	Ref.	Qty.	Part #	Description
1	1	ECH730 -3062	Engine, Kohler 23HP EFI	37	1	127-189	Knob, 1.58" Dia. x 1/2-13
2	1	12 050 01	Filter, Oil - Kohler	38	1	609-44	Boot, F-N-R Shifter
3	2	25 132 12	Sparkplug 3071	39	1	25 418 07	Sensor, Oxygen 4 Wire
4	1	24 083 05	Prefilter, Air ECH730	40	2	165-25	Disc, Brake, Service
5	1	24 083 03	Filter, Air ECH730	41	2	34-239	Coupler, Output Shaft
6	1	110-18	Key 1/4 x 1/4 x 1.75 RC45	42	1	606-103FG	Shaft, Output L - 11T - 650 HD
7	1	25 050 42	Filter, Fuel	43			See Section 5.0 Steering & Brake System
8	1	612-101	Cable Asm, Throttle- FRN/AVG	44			See Section 5.0 Steering & Brake System
9	1	24 089 51	Spring, Throttle				
10	1	24 089 46	Spring, Governor	45	10	112-188	Bolt, Shoulder M10 x 30
11	1	M-545016	Screw	46	1	606-102	Shaft, Output R - 11T - 650 HD
12	1	12 237 01	Clamp, Cable	47	10	117-77	Locknut, Nylon - M8 x 1,25mm Zn8
13	1	127-49	Spring, Extension - .375 x 2.55	48	1	613-127	Magnet, Speedometer
14			See Section 3.0 Clutch System	49	10	108-05	Lockwasher 5/16 Split- Ring Zn
15	1	127-137	Drive Belt - Avenger	50	4	103-41	SHCS 3/8-16x1.25 Zn
16			See Section 3.0 Clutch System	51	1	604-149	Plate, Eng Mount, 6x6 HDi
17	1	110-03	Key 1/4 x 3/16 x 2.375 RC46	52	4	117-29	Locknut, Nylon 3/8-16 Zn
18	1	112-164	HHCS 3/8-16 x 3.50 Gr5 Zn				
19	7	108-06	Lockwasher 3/8 Split Ring Zn				
20	2	108-58	Washer .47 x 1.37 x .12 Hi- Carbon - 650				
21	1	612-101	Cable Asm, Throttle				
22	4	103-76	HHCS 3/8-16x1.75 Gr5 Zn				
23	4	103-88	C/Bolt 3/8-16x1.0 Gr5 Zn				
24	4	108-15	Washer .42x.81x.05 Zn				
25	1	112-160	HHCS, 7/16-20 x 5" Lg - 650				
26	4	117-118	Locknut, Nylon 3/8-16 Flanged				
27	1	108-84	Washer, Engine, Clutch 650				
28	4	117-21	Locknut, Nylon 5/16-18 Zn				
29	4	108-24	Washer .34 x 1.00 x .06 Zn				
30	2	112-189	HHCS 1/2-13 x 1.25 Gr5 Zn				
31	4	108-107	Lockwasher 1/2" High Alloy				
32	2	112-190	HHCS 1/2-13 x 3.0 Gr5 Zn				
33	2	165-22	Disc, Brake - Admiral				
34	2	100-127	Fitting, Grease STR 1/4-28 TPR (From S.N. 17093)				
35	2	108-18	Washer .40 x 1.37 x .12 Zn				
36	2	103-60	HHCS 3/8-24 x 1 Gr5				

5.0 Steering & Brake System

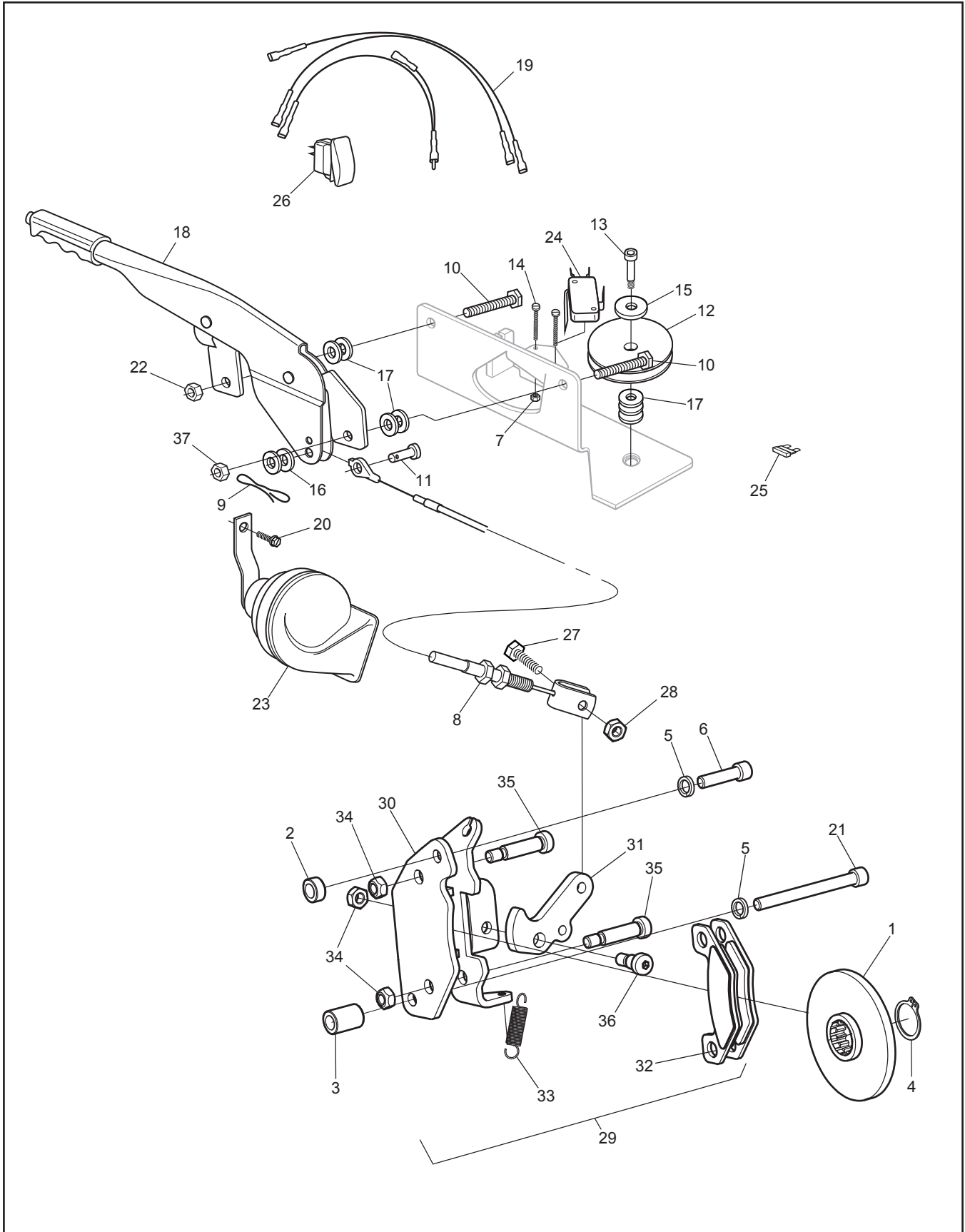
Frontier ST 6x6 Parts Manual



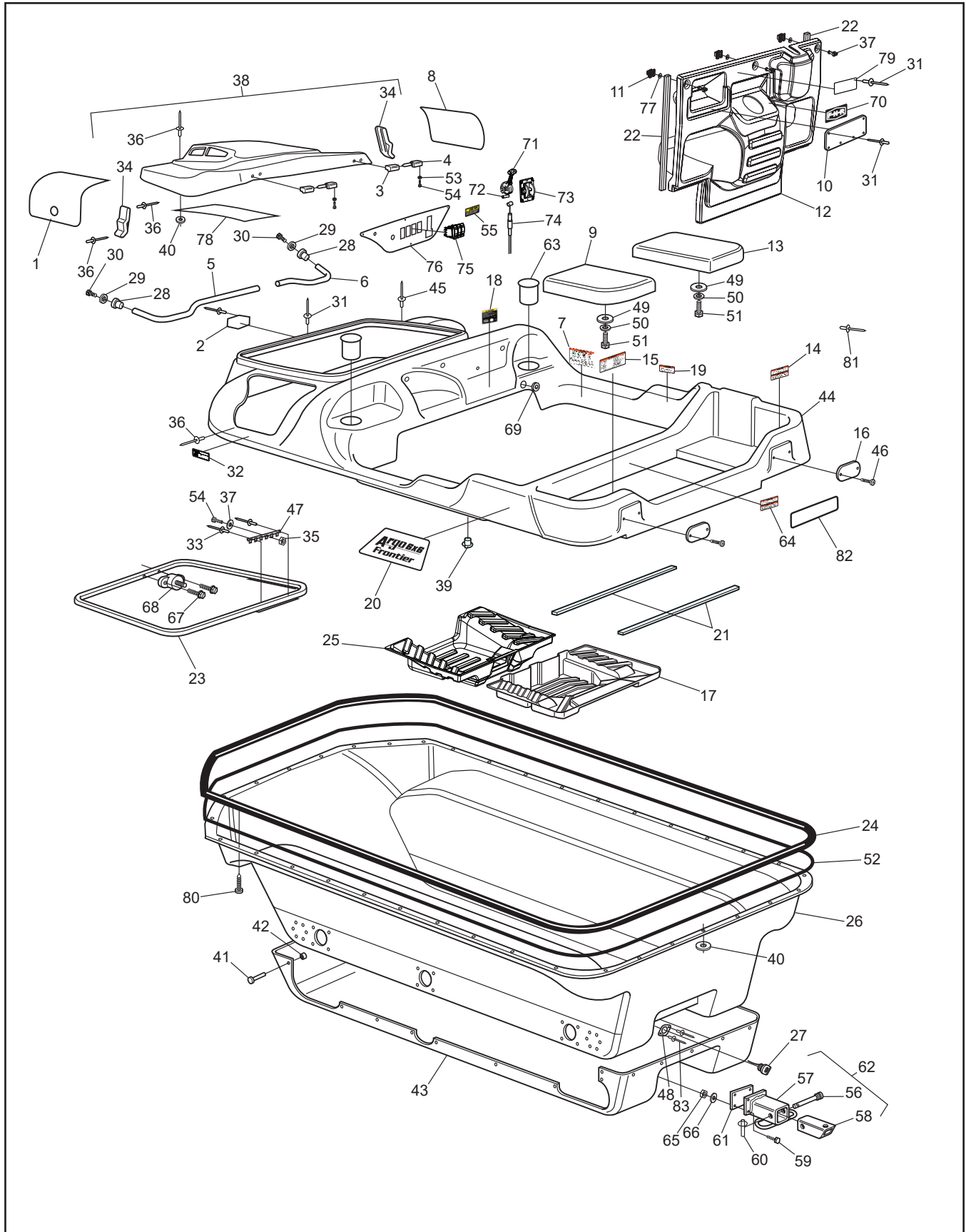
Ref.	Qty.	Part #	Description	Ref.	Qty.	Part #	Description
1	1	612-142	Wldt., Steering Column	45		126-19	Fluid, Brake-Silicon Dot 5 - .35L
2	1	612-107	Handlebar Assembly	46	1	163-05	Hose Asm, Hydraulic - Left
3	1	165-58	Master Cylinder, RH Wilwood	47	1	163-06	Hose Asm, Hydraulic - Right - SS
4	1	165-57	Master Cylinder, LH Wilwood	48	2x2	160-42	Screw, FHMS M5 x 0,8 x 6mm
5	1	612-128	Shaft, Steering - Avenger	51	1	165-37	Piston Seal Kit - Wilwood
6	2	104-42	Pin, Spring 1/4 x 1.5"	57	2	812-30	Pin, Female
7	1	108-47	Washer, .39 x .94 x .13 Zn Di-chr	58	2	117-125	Nut, Jam 5/16-18, Thin
8	1	117-29	Locknut, Nylon 3/8-16 Zn	59	2	812-31	Pin, Male
9	2	612-141	Wldt., Steering Arm	60	2	112-02	SHSS 10-24x1/4 Knurl Cup PT, PL
10	1	612-106	Clamp, Lower Handlebar	61	4	165-38	Caliper Pin, Service Brake HDi
11	1	612-105	Clamp, Upper Handlebar	62	2x2	168-07	Pin, Cotter 1/8 x 3.00 Zn
13	1	112-194	Bolt, Banjo, M10x1.0, Double	64	6	160-44	Bolt, Banjo - M10 x 1,0 x 21,0
14	2	105-16	Bushing, Oilite - 3/4 x 1/2	65	15	160-01	Washer, Copper - 1,5 x 10,0 x 14,0
15	2	110-17	Key, 3/16 x 3/16 x .625	66	3	125-84	Grommet, Rubber
16	1	117-21	Locknut, Nylon 5/16-18 Zn	68	1	165-43	Brake Line, Driver Side
17	2	112-47	SHCS, 1/4-20 x 1.0 Zn	69	2	103-69	SHCS 1/4-20 x 1.5 Zn
18	2	117-27	Locknut, Nylon 1/4-20 Zn	70	1	612-132	Bracket, LCD Gauge - Painted
19	1	112-155	C/Bolt 5/16-18x1.25 Gr2 Zn	71	1	128-27	Grommet 1-1/4ID x 1-1/2x3/32
20	1	108-24	Washer, .34 x .70 x .06 Zn	72	2	117-86	Nut, Acorn, 1/4-20 Zn
21	2	112-04	HHCS 1/4-20 x 3/4 Gr2 Zn	73	3	117-85	Nut, Acorn, M5 Zn
22	2	108-03	Lockwasher 1/4 Split Ring Zn	74	3	120-04	Washer .19 x .50 x.08 Zn
23	2	112-300	HHCS, 1/4-20 x 5.0 Gr5 Zn				
24	4	615-12	Bushing, Lock - 1/4"IDx5/8OD				
25	2x8	108-24	Washer, .34 x .70 x .06 Zn				
26	2	812-17	Collar				
27	1	165-31	Handbrake, Left Hydraulic				
28	1	165-42	Brake Line, Passenger Side				
29	2	127-35	Grip, Molded				
30	1	127-81	Throttle Twist Grip				
31	1	612-101	Cable Asm., Throttle				
32	2	165-32	Caliper, Service (includes Ref. 44 & 61)				
33	1	166-12	Caliper, Hydraulic Brake - L				
34	1	166-13	Caliper, Hydraulic Brake - R				
35	2	161-05	O-ring Kit, Knott Caliper				
36	4		Seal, Piston				
37	2		Seal, Rubber				
38	2x1	168-20	Plug, Rubber				
39	2x1	168-02	Screw, Bleeding, Knott Caliper				
40	2x4	103-55	HHCS, 5/16-18 x 2.75 Gr5 Zn				
41	1	170-03	Pad Set (4), Brake - Non-Asbestos				
42	2x4	117-125	Nut, Jam 5/16-18 Thin				
43	2x2	168-01	Piston, Knott Caliper				
44	1	165-36	Brake Pad (4) Replacement - Kit				

6.0 Parking Brake

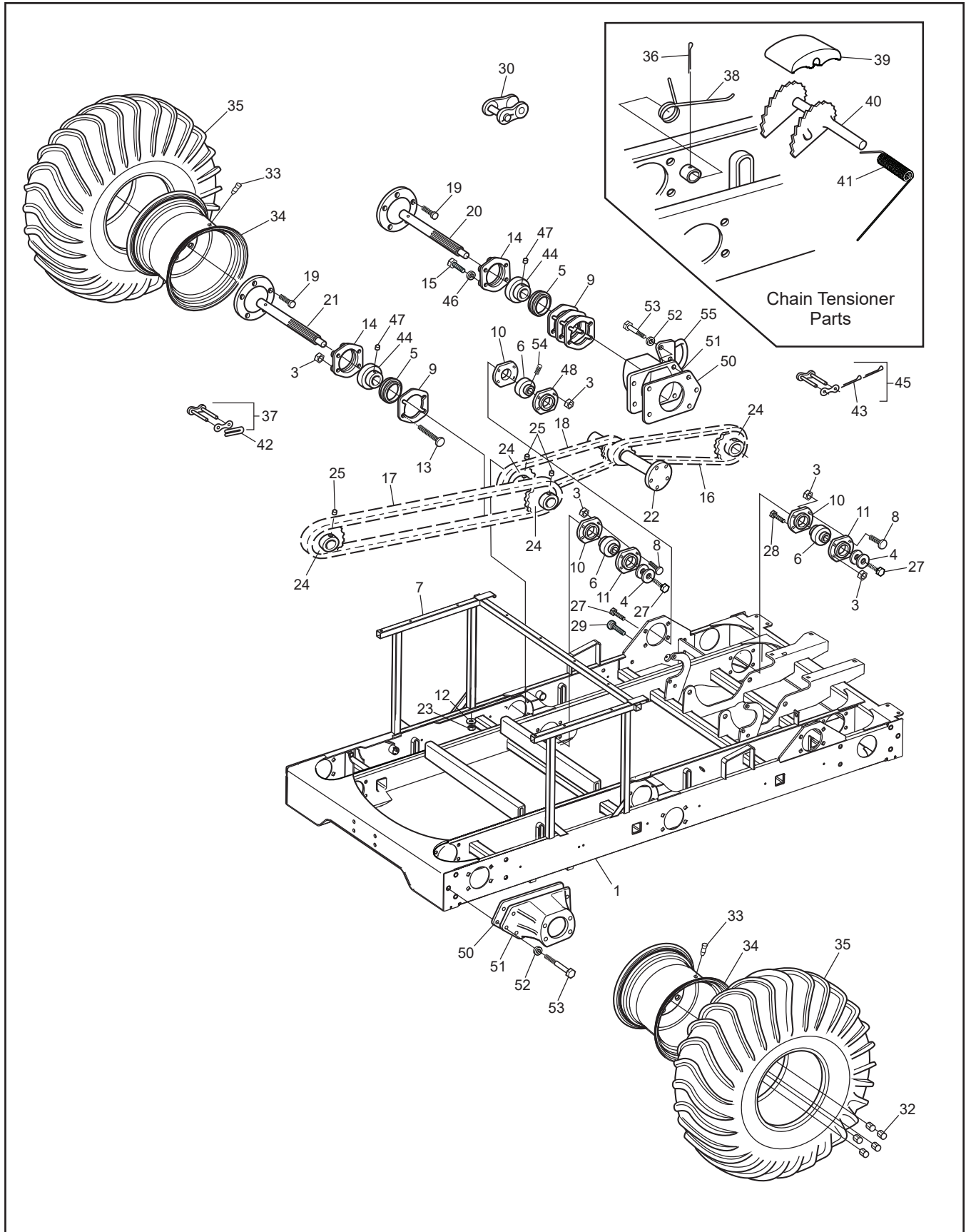
Frontier ST 6x6 Parts Manual



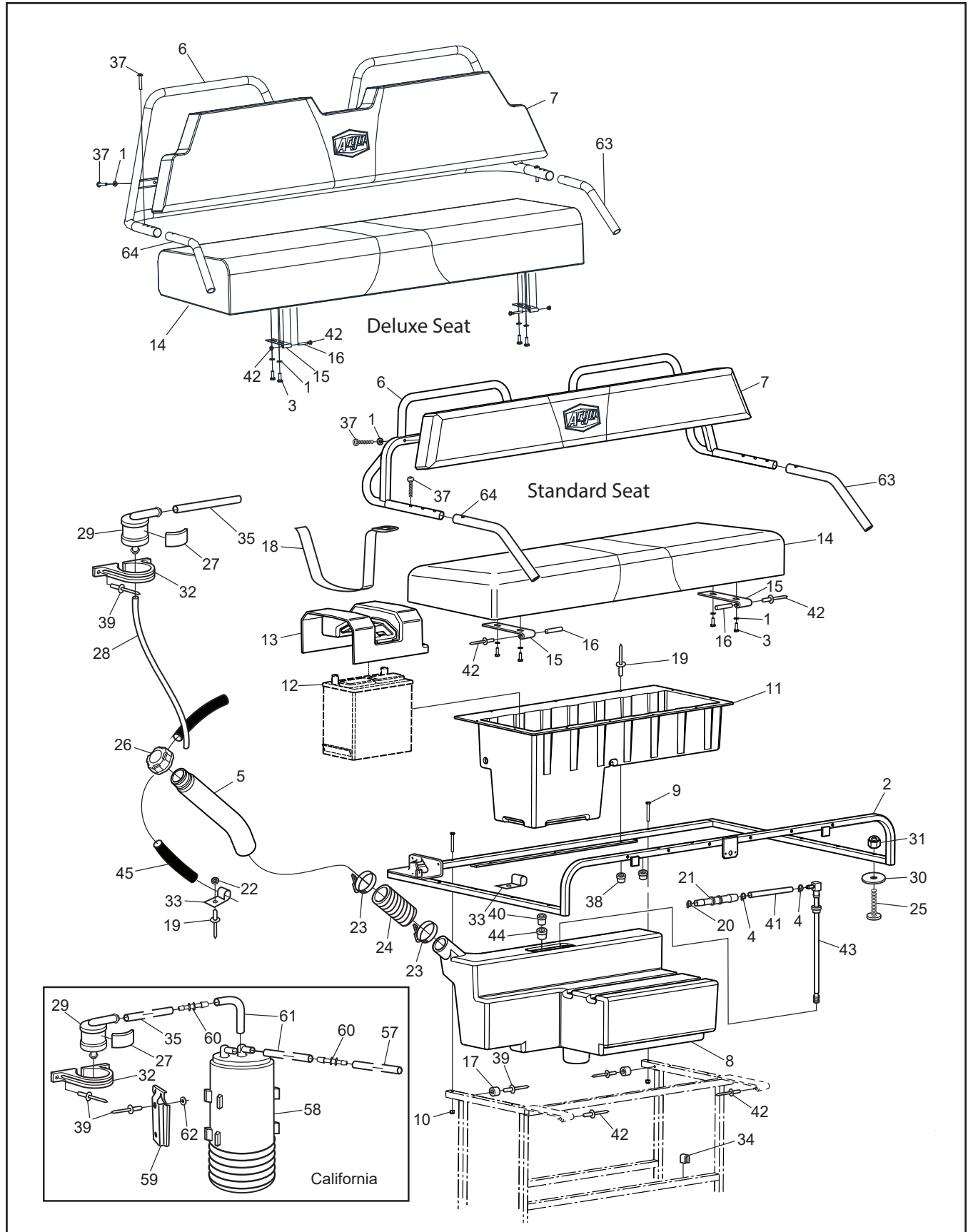
Ref.	Qty.	Part #	Description
1	1	165-52	Rotor, E-Brake
2	1	165-49	Spacer, ID.39 x OD.63 x .295
3	1	165-48	Spacer, ID.39 x OD.63 x .90
4	1	106-29	Retaining Ring SH-0093-PA
5	2	108-05	Lockwasher 5/16 Split-Ring Zn
6	1	112-143	SHCS 5/16 x 1.25 Zn
7	2	112-173	Locknut, #5-40, Zn
8	1	850-81	Cable, Parking Brake
9	1	100-140	Pin, Bow-Tie Cotter 0.091 x 1.875
10	2	103-06	HHCS 5/16-18x1.0 Gr5 Zn
11	1	104-27	Pin, Clevis 5/16x.75" Zn
12	1	850-79	Pulley, Parking Brake Cable
13	1	112-178	Bolt, Shoulder, 1/2 x 5/8
14	2	112-172	SHCS 5-40 x 3/4 Zn
15	1	108-35	Washer .53 x 1.06 x .09 Zn
16	2	108-24	Washer .34x.70x.06 Zn
17	7	108-47	Washer .39x.94x.13 Zn Di-Chro
18	1	809-147	Lever, Parking Brake
19	1	848-176	Harness, Horn Momentary*
20	1	112-19	Screw,IHWH T/C Slot 1/4-20x1/2*
21	1	112-228	SHCS 5/16-18 x 3.25 Zn
22	1	117-21	Locknut, Nylon 5/16-18 Zn
23	1	848-87	Horn, Electric*
24	1	613-120	Switch, Micro, Lever
25	1	118-52	Fuse, 10A 2-Prong (AT010)*
26	1	848-175	Switch, Horn Momentary*
27	1	103-08	HHCS 1/4-20 x 1.0 Zn
28	1	117-27	Locknut, Nylon 1/4-20 Zn
29	1	165-50	Caliper, Parking Brake, Ass'y(incl. Ref. #'s 30-36)
30	1	165-44	Caliper, Wldt Parking Brake
31	1	165-51	Cam, Caliper, Park Brake
32	1	165-36	Brake Pad Replacement Kit
33	1	127-280	Spring, Extension 3/8" x 1.75"
34	3	117-25	Nut, Conelock 5/16-18
35	2	112-224	Bolt, Shoulder 3/8 x 1.25
36	1	112-223	Bolt, Shoulder 3/8 x 0.38
37	1	117-124	Locknut, Nylon Acorn 5/16-18 Zn
			*If equipped



Ref.	Qty.	Part #	Description	Ref.	Qty.	Part #	Description
1	1	707-43	Screen - Exhaust	43	1	603-98	Skid Plate, 6x6 - Black
2	1	601-130	Nameplate, "Argo"	44	1	601-124	Body & Hood 6x6 HD 650 (specify colour) (incl. 23, 33, 38)
3	2	127-45B	Knuckle, Hinge	45	109	120-09	Rivet 3/16 x 1 - Black
4	2	127-45A	Pin, Hinge	46	4	103-48	T/S Pan HD PHIL #10 x 5/8
5	1	601-103	Tube, Dash Handle, Pass.SD	47	1	613-37	Terminal Strip, Ground
6	1	601-104	Tube, Dash Handle, Drv. SD	48	2	100-114	Gasket, Drain Plug
7	1	126-68	Plate, Operation	49	2	603-15	Washer, Plastic 5/16 Hole
8	1	707-42	Screen, Intake	50	2	108-01	Washer, Fender 1/4 BS x 1.25 OD
9	1	601-03	Seat, Rear - Left - 6x6 - Black	51	2	103-08	HHCS 1/4-20 x 1.0 Zn
	1	601-03CF	Seat, Rear - Left - 6x6 - CF	52	1	126-60	Vinyl Strip, 1/2" x 1/4" x 37.5'
10	1	609-49	Glove Box, Firewall - 6x6 Adm.	53	8	108-59	Lockwasher #10 Int. Tooth Zn
11	3	117-126	Clip, Q-Turn 6mm - Steel	54	9	103-47	HHCS 10-24 x 1/2
12	3	609-42	Firewall, Admiral	55	1	127-221	Label, Shift Warning
13	1	601-02	Seat, Rear - Right - 6x6 - Black	56	1	104-13	Pin, Toplink - 3/4 x 2.75
	1	601-02CF	Seat, Rear - Right - 6x6 - CF	57	1	616-16	Hitch Assembly
14	1	126-67	Plate, Floor Pan	58	1	616-19	Tube, Hitch
15	1	127-173	Plate, Vehicle Capacity	59	4	103-61	HHCS 3/8-24 x 1.5 Gr5 Zn
16	2	127-01	Reflector, Red	60	1	104-11	Pin, Lynch - Ring
17	1	803-61	Floor Pan, Rear - Frontier	61	1	616-20	Gasket, Rear Hitch
18	1	127-199	Label, Caution - Dash - HD	62	1	626-10	Hitch Kit
19	1	126-69	Plate, Fuel	63	2	100-109	Cup Holder Insert
20	1	850-369L	Nameplate, Argo 6x6 Frontier LH	64	1	127-51	Plate, Capacity 6x6
	1	850-369R	Nameplate, Argo 6x6 Frontier RH	65	4	117-24	Locknut, Nylon 3/8-24 Zn
21	2	601-106	Trim, Vinyl - 30" Black	66	4	108-15	Washer .42 x .81 x .05 Zn
22	2	809-166-15	Seal, 15" Long	67	2	112-51	Screw, IHWH T/C #10-24x5/8
23	1	602-53	Frame Ass'y, Hood - Front	68	1	613-123	Post, Power, 5/16-18, Red
24	1	601-05	Bumper, Vinyl - 6x6	69	1	128-26	Grommet, 1-1/2ID x 1-3/4x1/4
	1	601-129	Bumper, Vinyl - 6x6, Brown - Scout	70	1	127-200	Label, F-N-R-HDi
25	1	803-63	Floor Pan, Front - HDi	71	1	127-212	Pivot, Hi-Lo Shifter
26	1	603-99	Body, Lower - Frontier	72	1	104-57	Pin, Slotted - .375 x 1.25
27	2	100-107	Plug, Drain - Flanged	73	1	127-211	Bracket, Hi-Lo Shifter
28	2	113-12	Insert, 1/2-13	74	1	127-198	Cable, Hi-Lo Shifter
29	2	108-35	Washer .53 x 1.06 x .09 Zn	75	1		See Section 10.0 Electrical System
30	2	112-151	HHCS 1/2-13 x 1" Gr2 Zn	76	1	601-121	Panel, Dash - 6x6 Adm
31	29	120-13	Rivet, 3/16 x 3/4 Black	77	3	114-40	Washer, Stud Retainer 6mm
32	1	127-144	Label, Warning - HOT	78	1	606-68	Screen, 1 Pc Hood/Scoop
33	2	120-15	Rivet - 1/8 x 7/16	79	1	129-01	Plate, Geared By ODG
34	2	602-56	Latch, Hood - Soft Draw	80	8	112-292	T/S Washer Hd Phil #8x3/4 Blk
35	1	117-10	Locknut, 10-24 N/I Zn	81	34	120-24	Rivet, Alum - 3/32 x 3/8 Black
36	9	120-11	Rivet, 5/32 x .157-.472	82	1	850-373	Nameplate, Frontier ST
37	3	112-312	Stud, Q-Turn 6mm x 15mm Stl	83	4	10081A001	Rivet, 3/16 x 0.376 - 0.500 AL
38	1	602-57	Hood Kit - Frontier & HD (specify colour) (incl. 3, 4, 34, 36, 53, 54)				Note: For ultra chrome add UC to part #
39	2	117-44	T- Nut 1/4-20 Zn				
40	90	120-04	Washer .19 x .50 x .08 Zn				
41	26	120-27	Pin, Magna Grip (if equipped)				
42	26	120-28	Collar, Magna Grip (if equipped)				



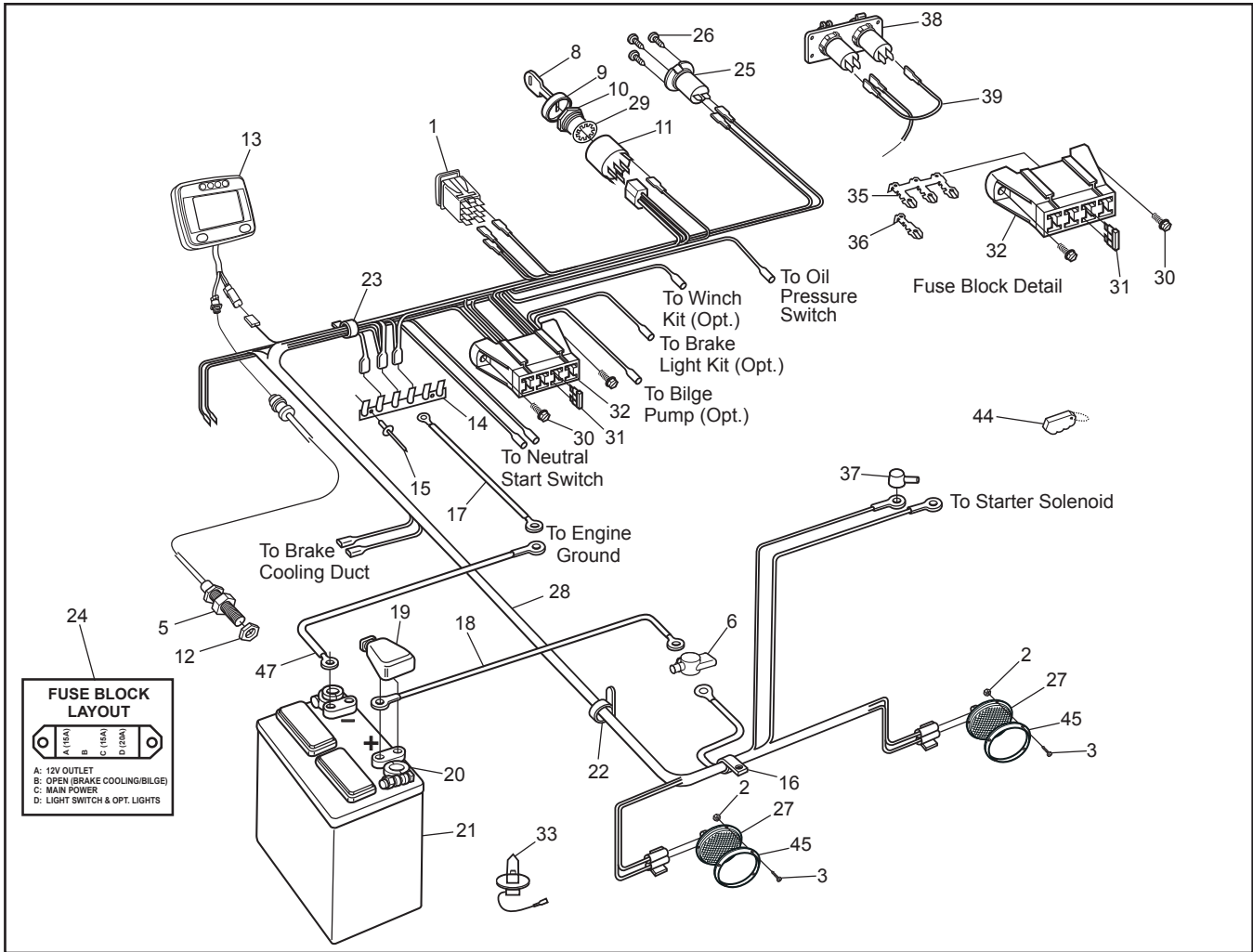
Ref.	Qty.	Part #	Description	Ref.	Qty.	Part #	Description
1	1	604-151	Frame Wldt. - 6x6 HD	44	6	101-95	Bearing, Ball -1.25 x 72mm
3	56	117-118	Locknut, Nylon 3/8-16 Flanged	45	2	127-188	Link, Con. #60 Lambda
4	12	108-46	Washer .40 x 1.37 x .12 Hi-Carbon	46	12	108-06	Lockwasher 3/8 Split-RingZn
5	6	606-89	Carrier, Axle Bearing	47	8	112-200	SHSS 5/16-24x5/16 Flat PT
6	8	101-41	Bearing, Ball - 1.0	48	2	606-93	Flange, Greaseable - 90 Deg Hd
7	1	604-154	Frame Wldt, Seat 6x6	50	4	606-25	Gasket - Bearing Extension
8	23	103-88	C/Bolt 3/8-16 x 1.0 Gr5 Zn	51	4	810-112	Bearing Extension w/nuts
9	12	606-90	Gasket, Flange - 72mm	52	20	108-34	Washer .47 x .94 x .06 Zn
10	14	606-91	Flange - 4 Hole Hd	53	20	112-181	HHCS 7/16-20 x 1.5 Gr5 Zn
11	10	606-92	Flange, Greasable - 4 Hole Hd	54	4	112-60	SHSS 1/4-28 x 1/2 Cup Pt.
12	4	108-24	Washer .34x.70x.06 Zn	55	2	642-47	Tie Down Bracket
13	24	112-187	C-Bolt 3/8-16x2.0 Gr5 Zn				Tire, Rim & Valve Assemblies Tire+Rim Asm, Argo-24, Right Tire+Rim Asm, Argo-24, Left
14	6	606-88	Flange Ass'y, Outer Bearing	6	127-158R		
15	16	103-68	HHCS 3/8-16 x 2.0 Gr5 Zn	6	127-158L		
16	2	606-100	Chain, RC60 - 1 x 40P				
17	2	606-47	Chain, RC60 - 1 x 96P				
18	2	606-101	Chain, RC60 - 1 x 68P				
19	5x6	112-183	Stud, Wheel 7/16-20x1.5				
20	4	810-92	Axle Ass'y - Front/Rear - HD				
21	2	810-113	Axle Ass'y - Mid. - HD				
22			See Section 4.0 Power Pack Assembly				
23	4	117-127	Locknut, Nylon 5/16-18 Zn				
24	8	606-34	Sprocket, S60 x 19T				
25	6	112-03	SHSS 5/16-18 x 3/8 1/2 DOG, PL				
27	10	112-31	HHCS 3/8-16 x 1.0 2B Gr8 Zn				
28	1	103-82	HHCS 3/8-16 x 1.5 Gr5 Zn				
29	4	112-61	C/Bolt 3/8-16 x 1.25 Gr5 Zn				
30		127-80	Link, Half - RC60 - 1 (opt.)				
32	5x6	117-35	Nut, Wheel 7/16-20 Zn				
33	12	125-26	Valve, Tire				
34	6	125-13BL	Rim - 8x7, 5 Bolt - Black				
35	6	127-158	Tire, Argo 24 x 10-8				
36	4	100-01	Pin, Cotter 1/8 x 1.50 Zn				
37	1x6	603-84	Con. Link, RC60-1 H.D.				
38	4	127-65	Spring Torsion - 1.16x0.35				
39	4	606-44	Slider Block				
40	4	606-82	Tensioner Asm, Chain				
41	4	127-64	Spring, Torsion - .76 x 1.9				
42	6	603-96	Spring Clip - RC 60 Closed				
43	4	104-35	Pin, Cotter 2mm x 12mm				



Ref.	Qty.	Part #	Description	Ref.	Qty.	Part #	Description
1	8	108-03	Lockwasher 1/4 Split Ring Zn	42	4	120-31	Rivet, 3/16" x 1/4, Open End
2	1	608-74	Frame Assembly, Seat	43	1	608-127	Pick-up, Fuel, 5/16 105 Mesh
3	4	112-04	HHCS 1/4-20x3/4 Gr2 Zn	44	1	608-136	Grommet, Fuel Return
4	2	112-78	Clamp, Hose, 9/16	45	1	608-66	Hose, Fuel 1/4" ID, 80"
5	1	608-140	Fuel, Fill Neck Assembly				United States Vehicle Kit
6	1	608-186	Weld. Adj. Backrest, Std				Plate, Serial Blank Double Label, U.S EPA EVAP Approval
	or	1	848-290				
			Weld. Backrest, Deluxe (ST LE model only)				
7	1	608-39C	Back Pad Assembly-Std	1	1	127-273	
	or	1	850-415	1	1	127-274	
			Seat, Front Backrest, Deluxe (ST LE model only)				
8	1	608-120	Tank, Fuel Low Permeation	46	2	120-24	Rivet, Alum - 3/32 x 3/8 Black
9	2	112-214	HHCS, 1/4-20 x 2.0				California Vehicle Kit
10	2	117-27	Locknut, Nylon 1/4-20				Plate, Serial Blank Double Label, U.S EPA EVAP Approval
11	1	608-54	Toolbox	1	1	127-273	
12	1	127-54	See Section 10.0 Electrical System	1	1	127-274	
13	1	608-55	Cover, Battery	39	2	120-13	Rivet - 3/16 x 3/4 Black
14	1	608-88	Seat Assembly, Bench - Thick	56	4	120-24	Rivet, Alum - 3/32 x 3/8 Black
		1	608-88CF				Label, Carb EVAP Approval
			Seat Assembly, Bench - CF	1	1	127-275	
15	2	608-81	Hinge, Seat, Bolted	57	3.16'	126-101RM	Hose, Vent 3/16" ID
16	2	104-43	Pin, 3/16" x 1-1/8"	58	1	609-45	Carbon Canister 800cc
17	2	126-102	Bumper, Recessed Hole	59	1	609-46	Bracket, Carbon Canister
18	1	608-56	Strap, Battery	60	2	609-48	Reducer, Barbed 1/4" to 3/16"
19	17	120-09	Rivet 3/16x1 - Black	61	2	27-160-3	Hose, 1/4ID x 3/8OD - 3" Long
20	4	112-79	Clamp, Hose, 1/2" Red	62	2	120-05	Washer .19x.50x.04 Zn
21	1	808-133	Reducer, 5/16" to 1/4" Barbed	63	1	608-191	Tube, L.F. Backrest
22	8	120-04	Washer .19 x .50 x .08 Zn	64	1	608-192	Tube, R.F. Backrest
23	2	100-12	Clamp, Gear 2.25" HF-36				
24	1	125-94	Hose, Filler				
25	10	112-07	RHMS 10-24 x 1.50 Zn				
26	1	126-100	Fuel Cap, Tethered				
27	1	126-60	Vinyl Strip 1/2" x 1/4"				
28	6'	127-160RM	Tubing, 1/4 ID Clear Plastic				
29	1	609-47	Valve, Rollover				
30	10	108-42	Washer .21 x 1.0x.06 Zn				
31	14	117-10	Locknut, Nylon #10-24 Zn				
32	1	609-50	Clamp, Rollover Valve				
33	9	126-93	Clamp, Nylon Wire - 1/2" ID				
34	2	702-06	Foam Cushion				
35	2.54'	126-101RM	Hose, Vent 3/16" ID				
36	2	112-41	PHMS, Phil 1/4-20 x 1.25 Zn				
37	4	103-03	PHMS, Phil 1/4-20 x 1.50 Zn				
38	2	117-64	Insert, 1/4-20 Steel Cad Pltg.				
39	4	120-13	Rivet, 3/16 x 3/4 Black				
40	1	608-137	Plug, Push-In				
41	2"	608-69RM	Hose, Fuel - 5/16" ID Carb				

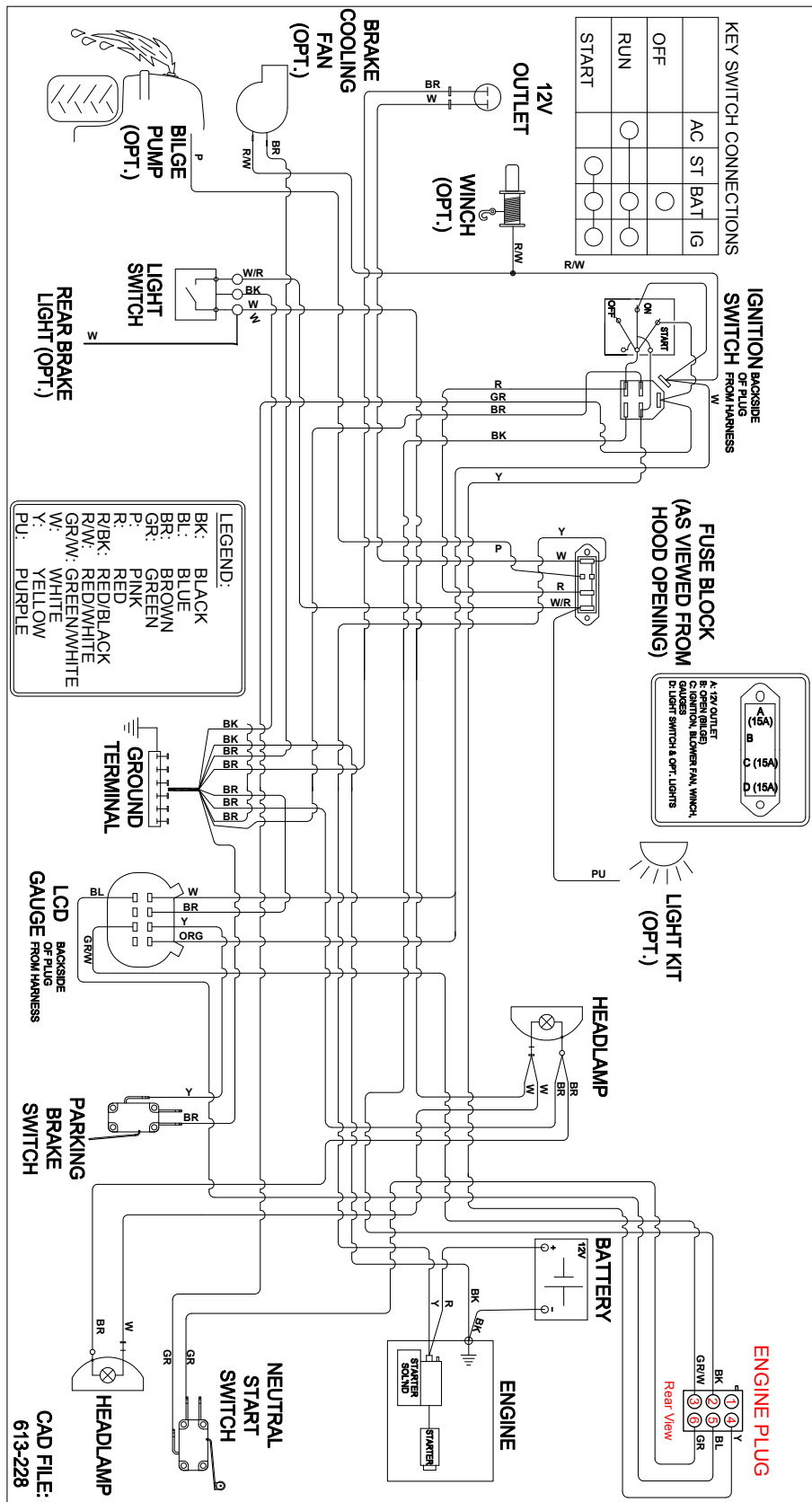
10.0 Electrical System

Frontier ST 6x6 Parts Manual



Ref.	Qty.	Part #	Description
1	1	613-153	Switch, Light
2	8	117-93	Nut, Speed #10
3	8	112-198	T/S Pan Hd Phil #10 x 1 Blk.
5	1	613-226	Sensor, Speedo Pickup 1 Pc.
6	1	613-124	Insulator, 2 Way w/cap, Red
7	1	118-30	Terminal, Eye #10
8	2	127-108	Key, Molded
9	1	127-107	Cover, Nut
10	1	127-106	Nut, Flanged - Plastic
11	1	127-105	Switch - Ignition
12	1	117-87	Nut, M12 x 1.25, Zn
13	1	613-130	Gauge, LCD
14	1	613-37	Terminal Strip, Ground
15	2	120-15	Rivet 1/8 x 7/16
16	4	127-24	Clamp, Nylon - 1" ID
17	1	613-14	Wire, Ground - 14"
18	1	613-94	Wire, Positive Battery
19	1	127-55	Cap, Battery Terminal - Red
20	2	127-56	Terminal, Battery Post
21	1	127-54	Battery, Exide 45-60
	1	613-161	Battery, Optima - Argo (Opt.)
22	8	100-64	Tie Wrap - 5.5" - Black

Ref.	Qty.	Part #	Description
23	13	126-93	Clamp, Nylon Wire - 1/2" ID
24	1	127-154	Label, Fuse Panel
25	1	613-90	Outlet, 12 V DC
26	8	112-139	#4 Phil Drive Oval Head Screw, Black
27	2	613-159	Headlight - 3.75W
28	1	613-228	Wire Harness, Kohler EFI
29	1	114-26	Lockwasher, 5/8 Int. Tooth
30	2	112-51	Screw, IHWH T/C #10-24x5/8
31	3	118-49	Fuse, 15 A 2-prong (AT015)
32	1	118-60	Block Fuse - 8 position (4 fuse)
33	2	127-46	Bulb, Headlight - Halogen
35	1	118-63	Terminal, Fuse - Triple
36	5	118-62	Terminal, Fuse - Single
37	3	613-45	Insulator, Terminal (6 ga.)
38	1	118-80	Outlet, 12V & Twin USB (if equip.)
39	1	613-231	Wire Harness, USB (if equip.)
44	1	681-00	FOB, Key - Floating
45	2	613-152	Bezel, Headlamp
47	1	613-95	Wire, Negative Battery



ARGO Products Manufactured by:

Ontario Drive & Gear Limited

220 Bergey Court

New Hamburg, Ontario

Canada N3A 2J5

Phone: (519) 662-2840

Fax: (519) 662-2421

www.argoxtv.com

ODG *Dedicated to quality and performance*