

Argo 6x6
Frontier



Argo 6x6

2018 PARTS MANUAL

Frontier 6x6 ST
Frontier 6x6 ST LE

From Serial # ...18906

23 HP Engine w/Admiral Transmission

** For factory installed accessory parts included with your vehicle see Accessories Manual 677-01 (2018)*

Foreword

ODG has prepared this parts manual for the 6x6 Frontier model to assist both qualified mechanics and vehicle owners in ordering correct, quality replacement ARGO parts. For the most current parts manual visit our website at www.argoxtv.com.

Proper and regular service, and replacing old, worn or broken parts with the correct ARGO replacement parts, are both essential to prolonging the life of the ARGO. Please refer to this parts manual and/or our website www.argoxtv.com before ordering any replacement part.

All information contained in this 6x6 Frontier Parts Manual is based on the latest product specification available at time of printing. If your 6x6 Frontier differs from the specifications contained in this manual, check our website www.argoxtv.com for the most current information.

ODG reserves the right to alter specifications on the 6x6 Frontier model at any time, without obligation or prior notification.

Reproduction of this 6x6 Frontier Parts Manual, in whole or in part, is prohibited without prior written permission from Ontario Drive & Gear Limited.

Vehicle Identification

6x6 750 HDi - Serial Nos. ...18717

Explanation of Parts Manual Format

- | | |
|--------------------|--|
| Ref | - Reference number between assembly diagram and component parts list |
| Part No. | - Argo replacement part number for identification and re-ordering |
| Description | - Part description for identification and re-ordering |
| Qty | - Indicates the quantity of a part used in an assembly |

Argo 6x6 Frontier



Using the Parts Manual

1. Find the major vehicle assembly in the Table of Contents on this page, and turn to that section.
2. Locate the part in the illustration that you wish to order.
3. Refer to the parts list in that section.
4. Find the correct part number (Part No.), part description (Description) and correct quantity (Qty).
5. Use *only* this information to order ARGO replacement parts. **DO NOT** attempt to order a replacement part by reference number or page number.

Table of Contents

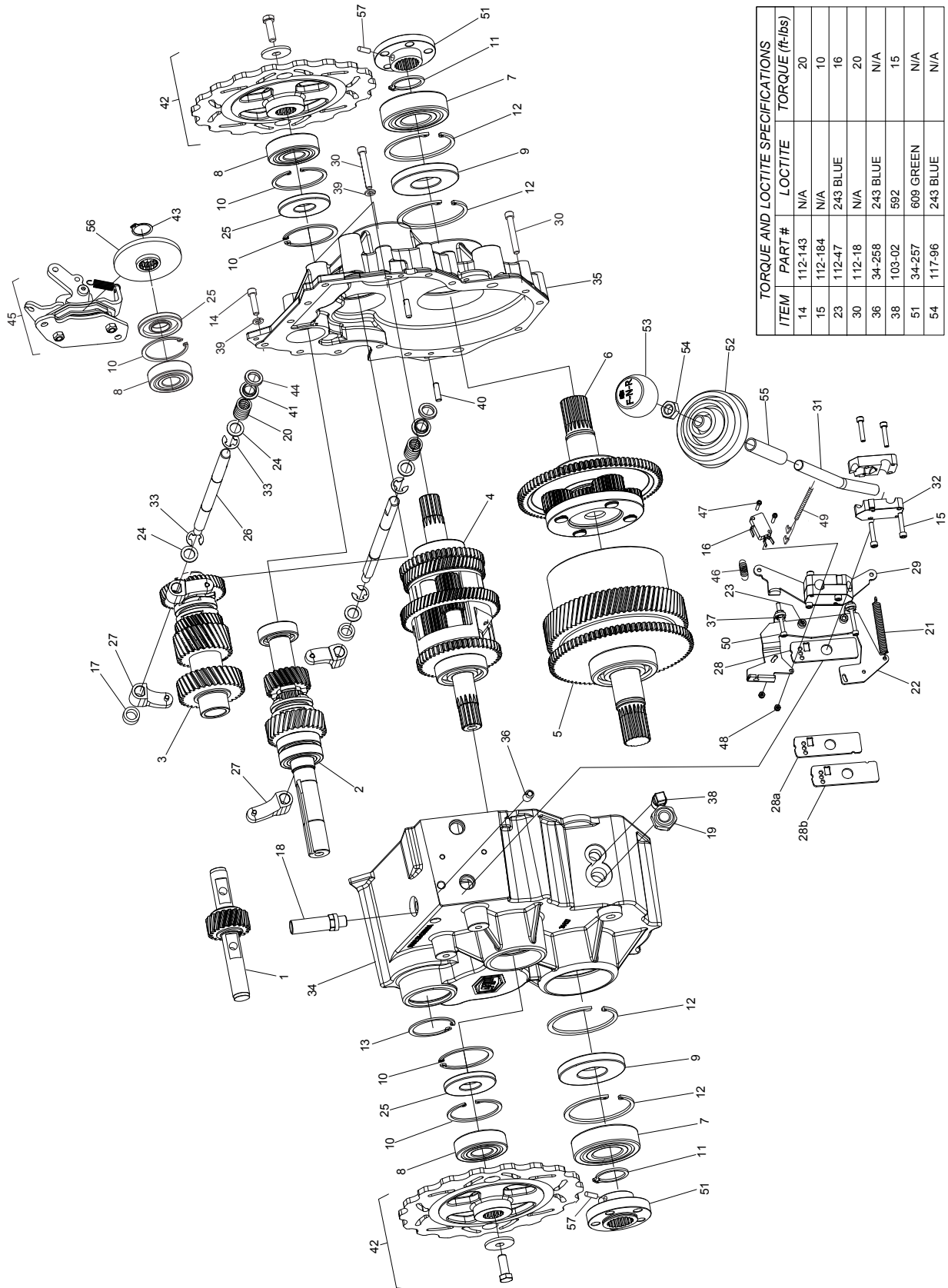
| | |
|---------------------------------------|----|
| Foreword | i |
| Vehicle Identification..... | i |
| Using the Parts Manual | ii |
| 1.0 Transmission | 2 |
| 1.1 Transmission Sub-Assemblies | 4 |
| 2.0 Intake and Exhaust System..... | 6 |
| 3.0 Clutch System | 8 |
| 4.0 Power Pack Assembly..... | 10 |
| 5.0 Steering & Brake System | 12 |
| 6.0 Parking Brake..... | 14 |
| 7.0 Vehicle Body & Firewall..... | 16 |
| 8.0 Frame & Drive System | 18 |
| 9.0 Fuel System & Seat Assembly | 20 |
| 10.0 Electrical System..... | 22 |



***Frontier 6x6 ST LE
(w/tundra green body)***

1.0 Transmission

Frontier ST 6x6 Parts Manual



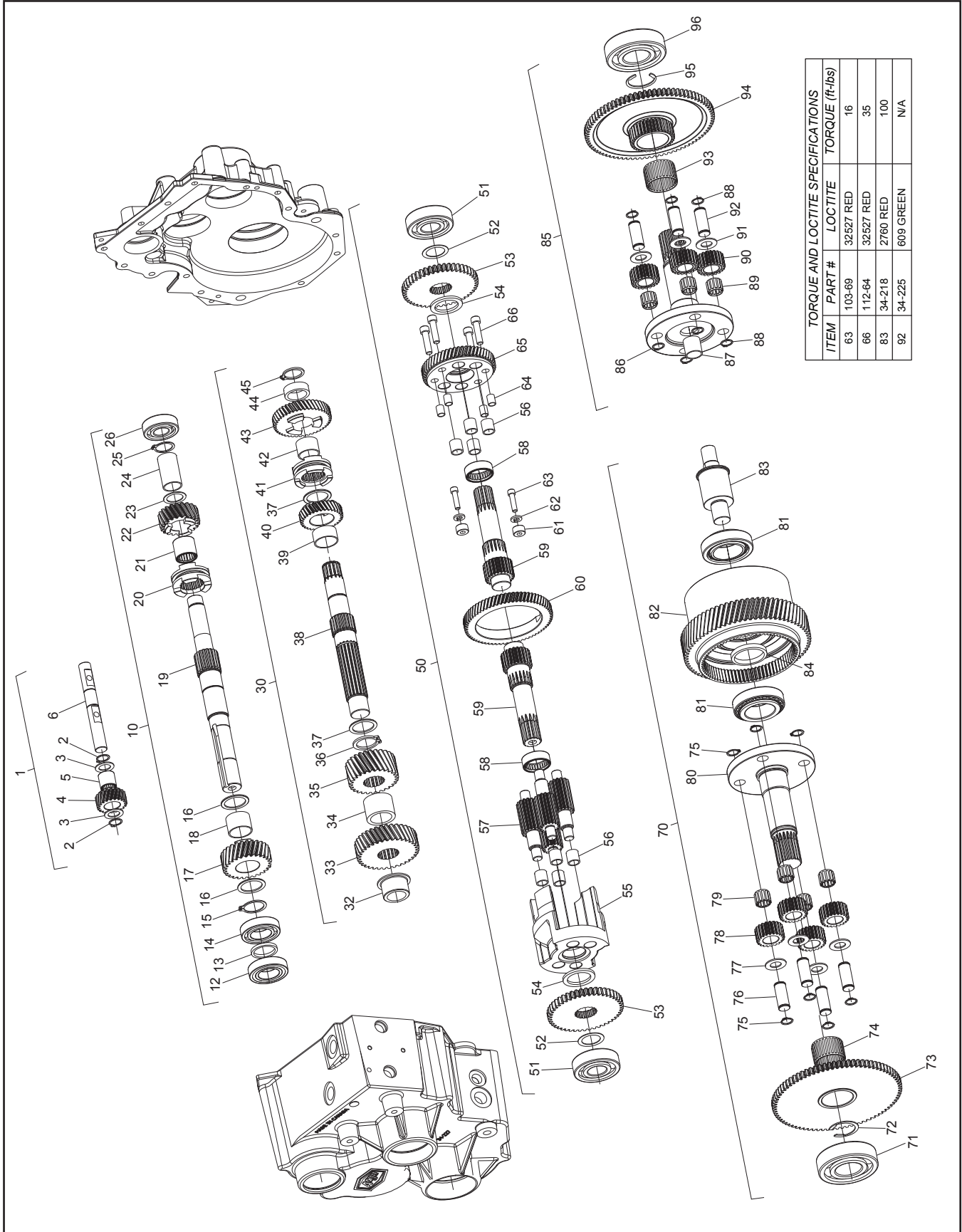
| TORQUE AND LOCTITE SPECIFICATIONS | | |
|-----------------------------------|---------|-----------------|
| ITEM | PART # | TORQUE (ft-lbs) |
| 14 | 112-143 | N/A |
| 15 | 112-184 | N/A |
| 23 | 112-47 | 243 BLUE |
| 30 | 112-18 | N/A |
| 36 | 34-258 | 243 BLUE |
| 38 | 103-02 | 592 |
| 51 | 34-257 | 609 GREEN |
| 54 | 117-96 | 243 BLUE |

Frontier ST 6x6 Parts Manual

1.0 Transmission

| Ref. | Qty. | Part # | Description | Ref. | Qty. | Part # | Description |
|------|------|----------|--|------|------|---------|--------------------------------|
| | 1 | 34-200-7 | Transmission Admiral | 49 | 1 | 613-112 | Wire Harness, Neutral Start |
| | 1-6 | | See Section 1.1 Trans. Sub Assemblies | 50 | 2 | 112-195 | SHCS 8-32 x 1.5 Stainless |
| 7 | 2 | 101-81 | Bearing, Ball 6307 ZZE | 51 | 2 | 34-239 | Coupler, Output Shaft - 34-200 |
| 8 | 3 | 101-86 | Bearing, Ball 6305 Zz | 52 | 1 | 609-44 | Boot, F-N-R Shifter |
| 9 | 2 | 102-33 | Seal, Oil 35x80x10 | 53 | 1 | 127-226 | Knob, Shift F-N-R - HD |
| 10 | 5 | 106-05 | Retaining Ring HO-244-PA | 54 | 1 | 117-96 | Nut, Jam 1/2-13 |
| 11 | 2 | 106-23 | Retaining Ring SH-0137-PA | 55 | 1 | 127-228 | Sleeve, Insulating - 2.75" |
| 12 | 4 | 106-24 | Retaining Ring H0-312-PA | 56 | 1 | 165-52 | Rotor, E-Brake |
| 13 | 1 | 106-26 | Retaining Ring H0-206-PA | 57 | 2 | 104-75 | Pin, Spring, 3/16x13/16 Zn |
| 14 | 10 | 112-143 | SHCS 5/16 x 1.25 Zn | | | | |
| 15 | 8 | 112-184 | SHCS, 10-32 x 1 | | | | |
| 16 | 1 | 613-151 | Switch, Micro, Roller Lever | | | | |
| 17 | 2 | 114-21 | Spacer, .51x.75x.36 | | | | |
| 18 | 1 | 34-245 | Plug, Fill/Vent 1/2 BSPP | | | | |
| 19 | 1 | 34-251 | Site Glass, 1/2 BSP Aluminum | | | | |
| 20 | 2 | 127-186 | Spring, Comp. 0.70x1.28 | | | | |
| 21 | 1 | 127-194 | Spring, Ext .360x3.0 | | | | |
| 22 | 1 | 34-241 | Bracket, Switch, Spring Mount | | | | |
| 23 | 2 | 112-47 | SHCS 1/4-20 x 1.0 Zn | | | | |
| 24 | 4 | 108-35 | Washer .53x1.06x.09 Zn | | | | |
| 25 | 3 | 102-37 | Seal, Oil 25x62x7 | | | | |
| 26 | 2 | 34-231 | Shaft, Shift - F-N-R | | | | |
| 27 | 4 | 34-232 | Fork, Shift - Half | | | | |
| 28 | 1 | 34-233 | Plate, Detent | | | | |
| 28a | 1 | 34-233L | Plate, Detent, Left Adj. | | | | |
| 28b | 1 | 34-233R | Plate, Detent, Right Adj. | | | | |
| 29 | 1 | 34-242 | Bracket, Spring Mount | | | | |
| 30 | 8 | 112-18 | SHCS 5/16x2.25 | | | | |
| 31 | 1 | 34-235 | Lever, Shaft - F-N-R | | | | |
| 32 | 4 | 34-236 | Clamp, Lever Shaft | | | | |
| 33 | 4 | 106-30 | Retaining Ring E-0050 E | | | | |
| 34 | 1 | 34-227 | Housing, Admiral, Left (includes Ref. # 36) | | | | |
| 35 | 1 | 34-228 | Housing, Admiral, Right | | | | |
| 36 | 1 | 34-258 | Plunger, Ball - Nose Spring | | | | |
| 37 | 4 | 117-92 | Nut, Hex Machine #8-32 Zn | | | | |
| 38 | 1 | 103-02 | Plug, Magnetic 3/8-18Npt Sq. Hd | | | | |
| 39 | 11 | 108-05 | Lockwasher 5/16 Split-Ring Zn | | | | |
| 40 | 2 | 104-03 | Pin, Dowel 1/4x7/8 | | | | |
| 41 | 2 | 105-33 | Bushing, Flange | | | | |
| 42 | | | See Section 4.0 Power Pack | | | | |
| 43 | 1 | 106-29 | Retaining Ring SH-0093-PA | | | | |
| 44 | 2 | 102-36 | Seal, Shift Shaft - 0.5 x .75 x .125 | | | | |
| 45 | | | See Section 6.0 Parking Brake | | | | |
| 46 | 1 | 127-195 | Spring, Ext., .75 x 2.73 | | | | |
| 47 | 2 | 112-172 | SHCS 5-40 x 3/4 Zn | | | | |
| 48 | 2 | 112-173 | Locknut, #5-40 Zn | | | | |

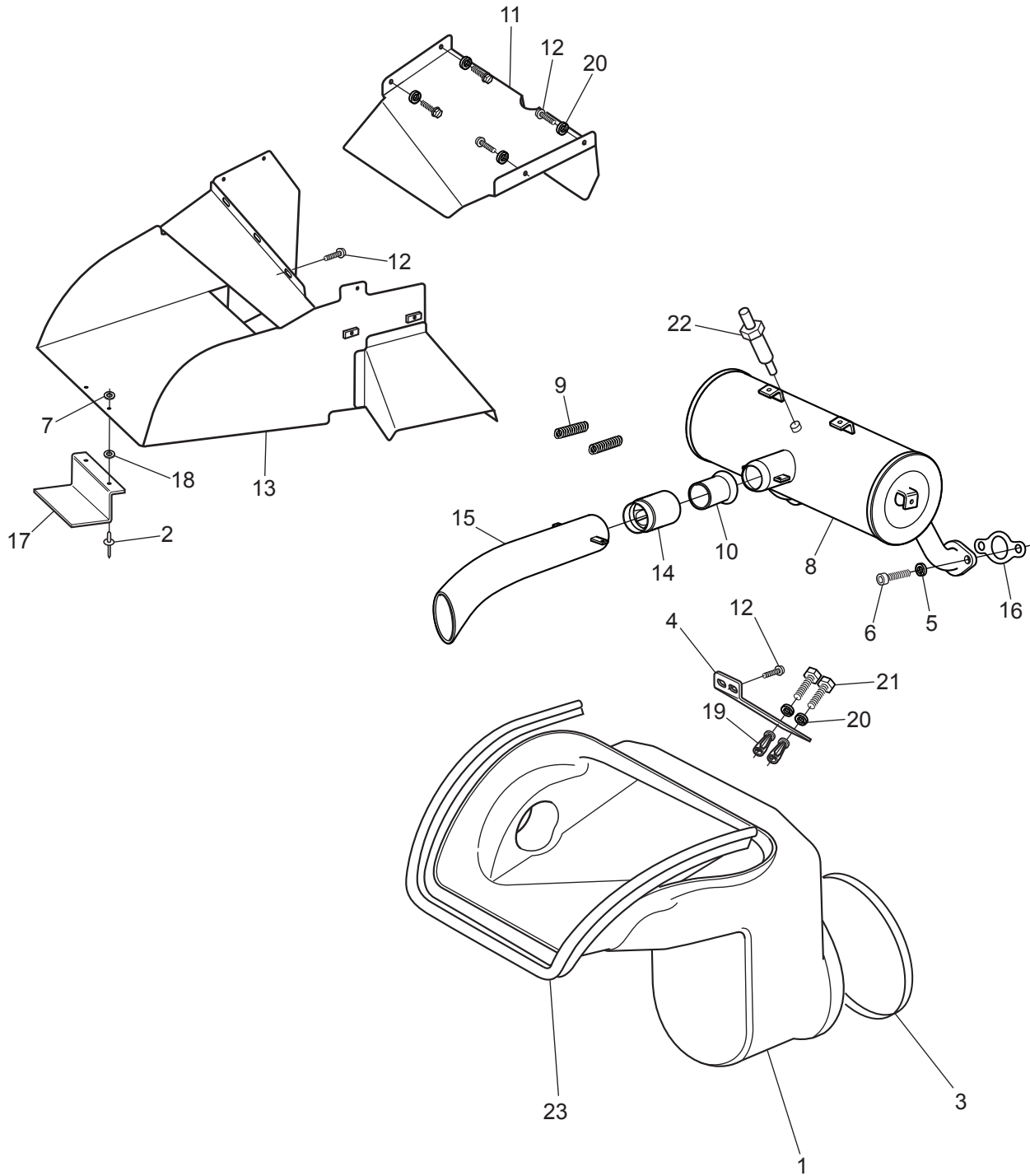
1.1 Transmission Sub-Assemblies Frontier ST 6x6 Parts Manual



Frontier ST 6x6 Parts Manual 1.1 Transmission Sub-Assemblies

| Ref. | Qty. | Part # | Description | Ref. | Qty. | Part # | Description |
|-----------|----------|-------------------|--|-----------|----------|------------------|--|
| 1 | 1 | 34-290 | Asm, Reverse Shaft - Adm. includes: | 60 | 1 | 34-205 | Gear, Helical - 67T |
| 2 | 2 | 106-25 | Retaining Ring SH-0078-PA | 61 | 2 | 105-28 | Bushing, Dowel .26x.625x.36 |
| 3 | 2 | 108-99 | Washer, Thrust .79x1.25 x .06 | 62 | 2 | 108-03 | Lockwasher 1/4 Split Ring Zn |
| 4 | 1 | 34-220 | Pinion, Idler - 20T | 63 | 2 | 103-69 | SHCS, 1/4-20 x 1.5 Zn |
| 5 | 1 | 101-87 | Bearing, Needle HMK20x27x25 | 64 | 4 | 105-23 | Bushing, Dowel - .312 x .5 |
| 6 | 1 | 34-221 | Shaft, Shift - Reverse | 65 | 1 | 34-204 | Gear, Helical - 55T |
| | | | | 66 | 4 | 112-64 | SHCS 5/16 x 18 x 1.25 |
| 10 | 1 | 34-291-7.3 | Asm, Input Shaft includes: | 70 | 1 | 34-294-HS | Asm, Output Shaft LH-Adm. includes |
| 12 | 1 | 101-89 | Bearing, Ball 60/28 Llu | 71 | 1 | 101-73 | Bearing, Ball 6307 CL.N. |
| 13 | 1 | 114-19 | Spacer, 1.12x1.375x.148 | 72 | 1 | 106-31 | Retaining Ring C-0137 |
| 14 | 1 | 101-88 | Bearing, Ball 60/28 | 73 | 1 | 34-207-HS | Gear, Sun - 84T, 35T |
| 15 | 1 | 106-27 | Retaining Ring SH-112-PA | 74 | 1 | 101-83 | Bearing, Needle KJ37x42x27S |
| 16 | 2 | 108-98 | Washer, Thrust 1.13x1.46x.062 | 75 | 8 | 106-22 | Retaining Ring SH-0056-PA |
| 17 | 1 | 34-215 | Pinion, For.-27T,12Dp | 76 | 4 | 34-225 | Pin, Planet Carrier |
| 18 | 1 | 105-32 | Bushing, Bronze 1.125x1.25x.875 | 77 | 4 | 108-93 | Washer, .59x1.10x.06 |
| 19 | 1 | 34-213 | Shaft, Input | 78 | 4 | 34-217 | Gear, Planet - 21T |
| 20 | 1 | 34-224 | Collar, Shift, For-Rev | 79 | 4 | 101-82 | Bearing, Needle KM J15x21x17S |
| 21 | 1 | 101-90 | Bearing, Needle HK2220 | 80 | 1 | 34-216 | Shaft, Output |
| 22 | 1 | 34-214 | Pinion, Reverse - 21T,12Dp | 81 | 2 | 101-76 | Bearing, Tapered Roller 32008X |
| 23 | 1 | 114-17 | Washer, Thrust .866x1.181x.039 | 82 | 1 | 34-219 | Planetary Hub |
| 24 | 1 | 114-18 | Spacer, .865x1.0x1.75 | 83 | 1 | 34-218 | Shaft, Planetary Stub |
| 25 | 1 | 106-25 | Retaining Ring SH-0078-PA | 84 | 1 | 114-22 | Spacer, 1.585x1.75x.245 |
| 26 | 1 | 101-01 | Bearing, Ball 6204Z-C3 | | | | |
| 30 | 1 | 34-295-7.3 | Asm, Idler Shaft includes: | 85 | 1 | 34-293-HS | Asm, Output Shaft RH - Adm. includes: |
| 32 | 1 | 105-30 | Bushing, Flanged 1x1.375 | 86 | 1 | 34-226 | Shaft, Output, Right |
| 33 | 1 | 34-211 | Gear, Helical - 35T | 87 | 1 | 105-26 | Bushing, Oilite .75x.875x.875 |
| 34 | 1 | 108-96 | Spacer, 1.125x1.5x1.083 | 88 | 8 | 106-22 | Retaining Ring SH-0056-PA |
| 35 | 1 | 34-209 | Pinion, Helical - 27T | 89 | 4 | 101-82 | Bearing, Needle KM J15x21x17S |
| 36 | 1 | 106-28 | Retaining Ring SHR-0112-PA | 90 | 4 | 34-217 | Gear, Planet - 21T |
| 37 | 2 | 108-98 | Washer, Thrust 1.13x1.46x.062 | 91 | 4 | 108-93 | Washer, .59x1.10x.06 |
| 38 | 1 | 34-208 | Shaft, Idler | 92 | 4 | 34-225 | Pin, Planet Carrier |
| 39 | 1 | 105-31 | Bushing, Bronze 1.125x1.25x.625 | 93 | 1 | 101-83 | Bearing, Needle KJ37x42x27S |
| 40 | 1 | 34-210 | Pinion, Helical - 31T | 94 | 1 | 34-207-HS | Gear, Sun - 84T, 35T |
| 41 | 1 | 34-223 | Collar, Shift, Hi-Low | 95 | 1 | 106-31 | Retaining Ring C-0137 |
| 42 | 1 | 105-29 | Bushing, Oilite 1.0x1.125x.75 | 96 | 1 | 101-73 | Bearing, Ball 6307 CL.N. |
| 43 | 1 | 34-212 | Pinion, Helical - 43T | | | | |
| 44 | 1 | 108-97 | Spacer, 1.01x1.3x.409 | | | | |
| 45 | 1 | 107-15 | Retaining Ring SHR-98-PA | | | | |
| 50 | 1 | 34-292-HS | Asm, Differential - Adm. includes: | | | | |
| 51 | 2 | 101-40 | Bearing, Ball 6305 Open | | | | |
| 52 | 2 | 114-16 | Washer, SHIM .99x1.375x.030 | | | | |
| 53 | 2 | 34-203-HS | Pinion, Spur - 43T | | | | |
| 54 | 2 | 108-94 | Washer, Thrust 1.25x1.688x.125 | | | | |
| 55 | 1 | 34-206 | Cage, Differential | | | | |
| 56 | 8 | 105-27 | Bushing, Oilite .5x.625x.625 | | | | |
| 57 | 4 | 34-202 | Gear, Planet - 15T | | | | |
| 58 | 2 | 101-84 | Bearing, Needle HK3012 | | | | |
| 59 | 2 | 34-201 | Shaft, Brake | | | | |

2.0 Intake and Exhaust System Frontier ST 6x6 Parts Manual

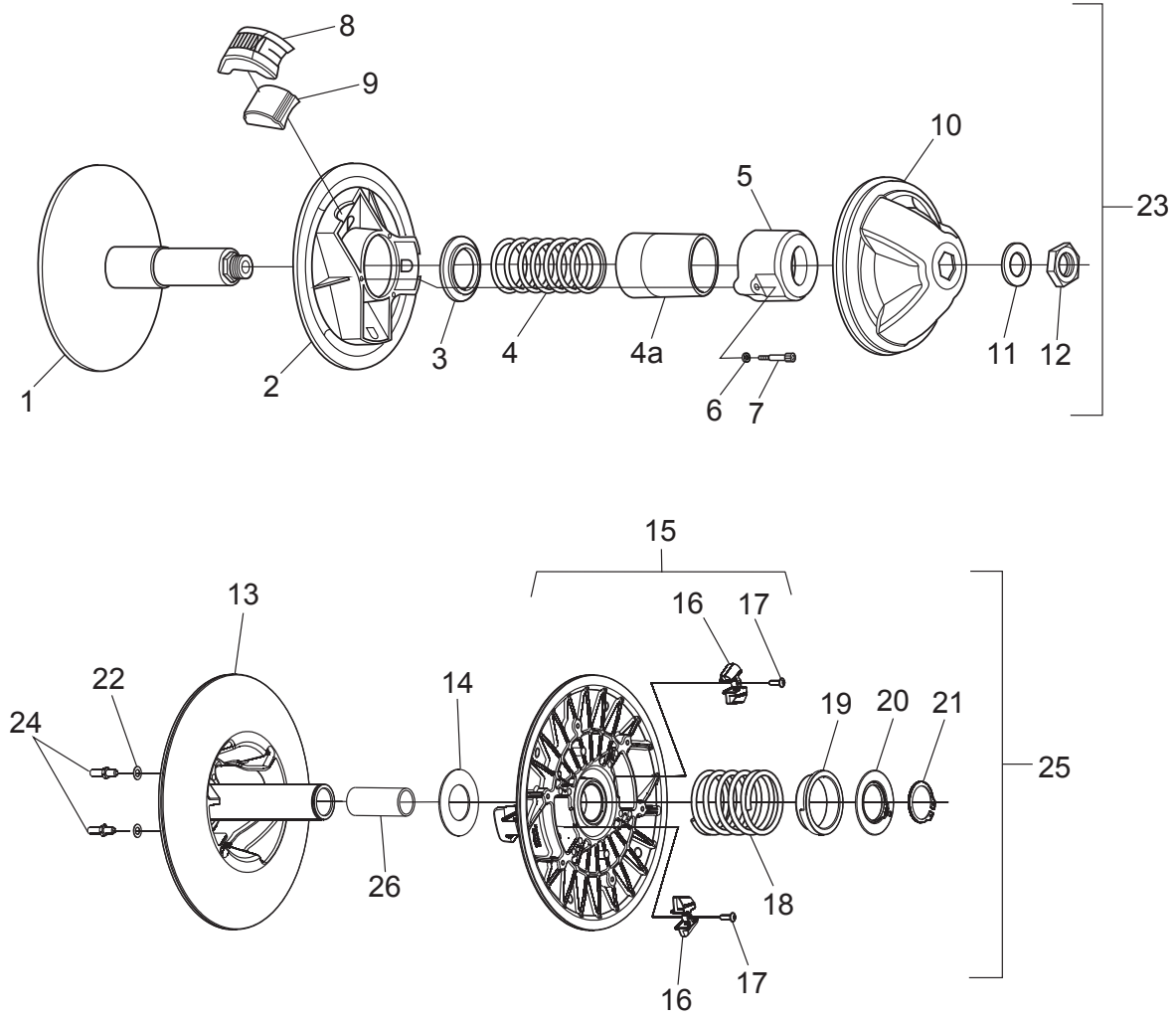


Frontier ST 6x6 Parts Manual 2.0 Intake and Exhaust System

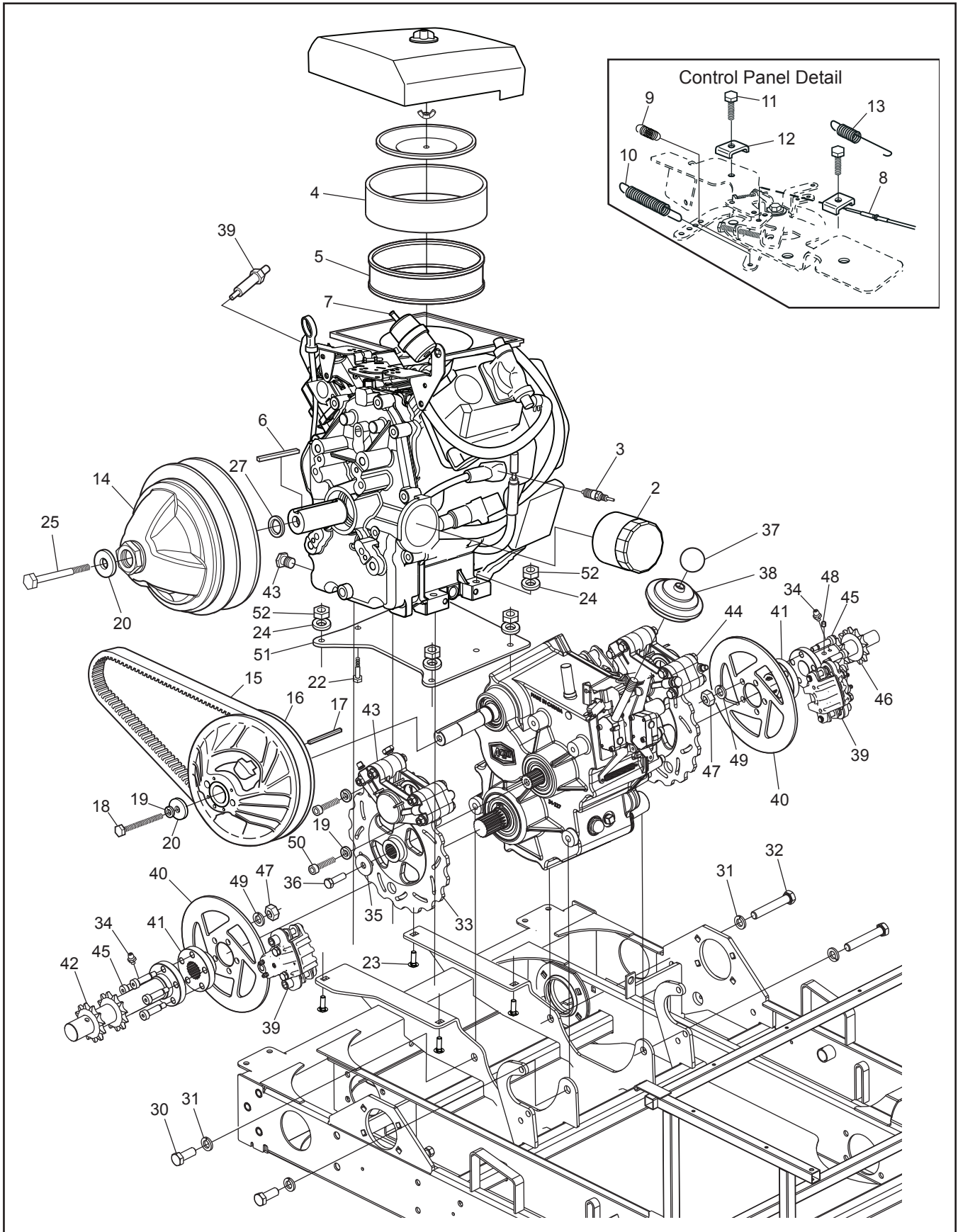
| Ref. | Qty. | Part # | Description |
|------|------|-----------|--|
| 1 | 1 | 809-15 | Duct, Intake - Frontier |
| 2 | 2 | 120-13 | Rivet, 3/16 x 3/4" Black |
| 3 | 1 | 807-77-30 | Seal, Radiator, 30 |
| 4 | 1 | 707-55 | Bracket, Intake Duct - Frontier EFI |
| 5 | 4 | 108-02 | Lockwasher 5/16 Hi-Collar Bare |
| 6 | 4 | 112-30 | SHCS M8x1,25x20mm Zn |
| 7 | 4 | 120-04 | Washer, .19 x .50 x .08 Zn |
| 8 | 1 | 607-121 | Muffler Ass'y, Avenger EFI |
| 9 | 2 | 127-187 | Spring, Extension - 17/32 x 3.75 |
| 10 | 1 | 607-135 | Tube, Muffler, Flared x 2.0 |
| 11 | 1 | 607-210 | Shield, Heat, Frontier EFI |
| 12 | 9 | 112-19 | Screw, IHWH T/C Slot 1/4-20 x 1/2 |
| 13 | 1 | 607-164 | Duct, Exhaust - Frontier |
| 14 | 1 | 607-171 | Spark Arrester, ODG |
| 15 | 1 | 607-134 | Pipe, Tail Asy |
| 16 | 2 | 24 041 49 | Gasket, Exhaust Manifold |
| 17 | 1 | 707-45 | Support, Exhaust Duct |
| 18 | 2 | 125-58 | Washer, Fibre - W-77F |
| 19 | 2 | 117-53 | Nut, Jack 1/4-20 8L-JNS Zn |
| 20 | 6 | 108-03 | Lockwasher 1/4 Split Ring Zn |
| 21 | 2 | 103-97 | HHCS 1/4-20 x 1.25 Gr5 Zn |
| 22 | 1 | | See Section 4.0 Power Pack Assembly |
| 23 | 1 | 807-77-56 | Seal, Radiator, 56" |

3.0 Clutch System

Frontier ST 6x6 Parts Manual



| Ref. | Qty. | Part # | Description |
|------|------|-----------|--|
| 1 | 1 | 0405-0138 | Flange, Fixed |
| 2 | 1 | 0410-0033 | Flange, Sliding |
| 3 | 1 | 0150-1014 | Spring Guide Washer |
| 4 | 1 | 1151-1114 | Spring |
| 4a | 1 | 0450-3002 | Guide, Spring |
| 5 | 1 | 0440-0005 | Spring Cover |
| 6 | 3 | 0080-0167 | Lockwasher |
| 7 | 3 | 0080-0021 | Screw, Cap |
| 8 | 3 | 0130-3012 | Block |
| 9 | 3 | 0135-3065 | Weight (275gr) |
| | 1 | 127-208 | Weight Set (3), 185g - High Elevation (See Bulletin NP #5) |
| | 1 | 127-209 | Weight Set (3), 220g - High Elevation (See Bulletin NP #5) |
| | 1 | 127-210 | Weight Set (3), 240g - High Elevation (See Bulletin NP #5) |
| 10 | 1 | 0115-2061 | Cap |
| 11 | 1 | 0080-0804 | Washer, Zn |
| 12 | 1 | V16J1 | Nut |
| 13 | 1 | 5905-0003 | Flange, Fixed |
| 14 | 1 | 0080-0164 | Washer, Shim |
| 15 | 1 | 5910-0002 | Flange, Sliding |
| 16 | 2 | 5930-3001 | Cam Shoe |
| 17 | 2 | 0080-0031 | Screw |
| 18 | 1 | 5951-1009 | Spring |
| 19 | 1 | 5950-3003 | Spring Protector |
| 20 | 1 | 5950-3002 | Spring Support |
| 21 | 1 | 0080-0216 | Retaining Ring, Outside |
| 22 | 2 | 0080-0167 | Lockwasher |
| 23 | 1 | 610-126 | Clutch, Driver - 650 |
| 24 | 2 | 0080-0035 | Screw & Nut Ass'y |
| 25 | 1 | 127-156 | Clutch, Driven - INVANCE |
| 26 | 1 | 5940-2001 | Keyway Stopper |

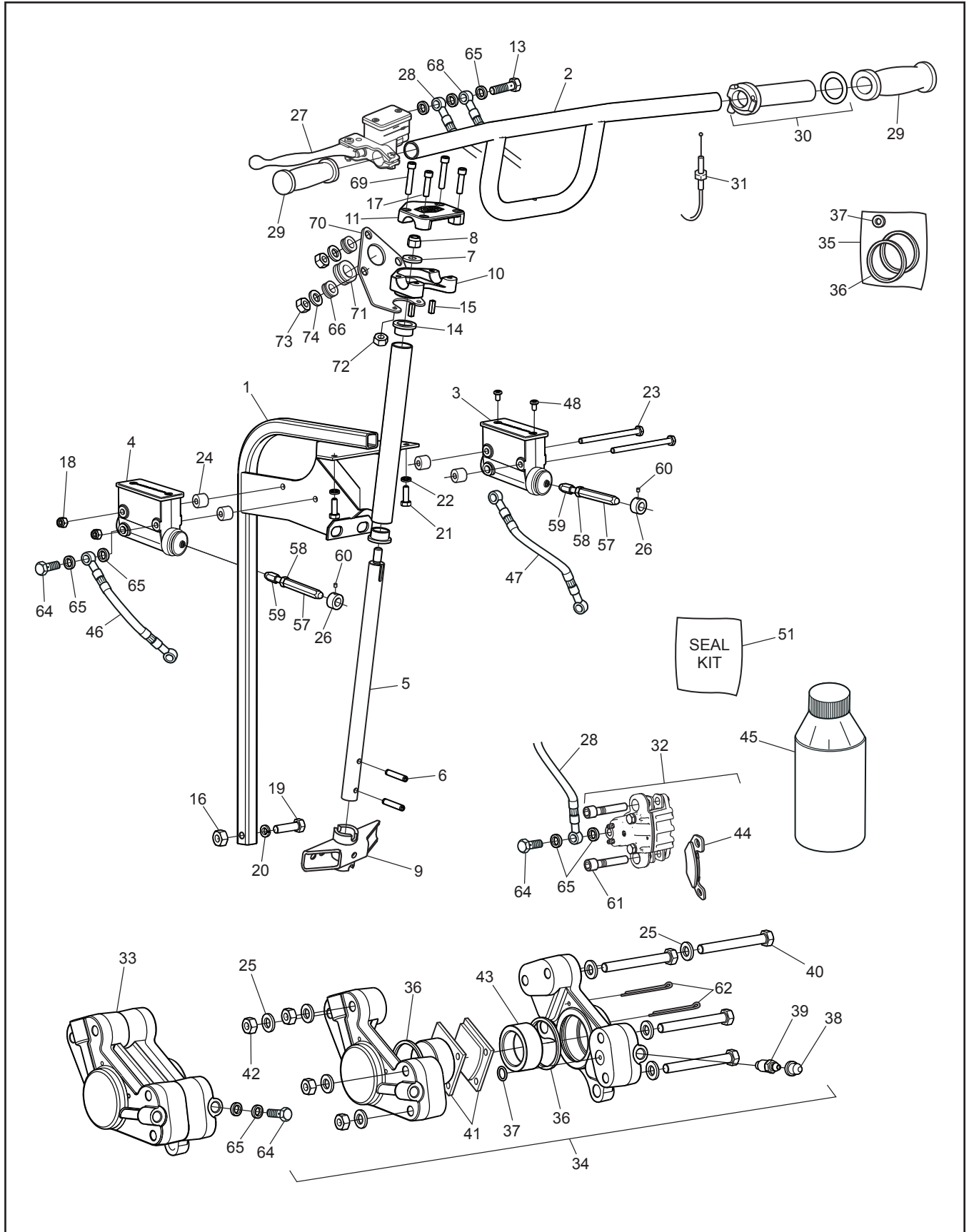


Frontier ST 6x6 Parts Manual

4.0 Power Pack Assembly

| Ref. | Qty. | Part # | Description | Ref. | Qty. | Part # | Description |
|------|------|-----------------|---|------|------|-----------|--|
| 1 | 1 | ECH730 -3062 | Engine, Kohler 23HP EFI | 37 | 1 | 127-189 | Knob, 1.58" Dia. x 1/2-13 |
| 2 | 1 | 12 050 01 | Filter, Oil - Kohler | 38 | 1 | 609-44 | Boot, F-N-R Shifter |
| 3 | 2 | 25 132 12 | Sparkplug 3071 | 39 | 1 | 25 418 07 | Sensor, Oxygen 4 Wire |
| 4 | 1 | 24 083 05 | Prefilter, Air ECH730 | 40 | 2 | 165-25 | Disc, Brake, Service |
| 5 | 1 | 24 083 03 | Filter, Air ECH730 | 41 | 2 | 34-239 | Coupler, Output Shaft |
| 6 | 1 | 110-18 | Key 1/4 x 1/4 x 1.75 RC45 | 42 | 1 | 606-103FG | Shaft, Output L - 11T - 650 HD |
| 7 | 1 | 25 050 42 | Filter, Fuel | 43 | | | See Section 5.0 Steering & Brake System |
| 8 | 1 | 612-101 | Cable Asm, Throttle- FRN/AVG | 44 | | | See Section 5.0 Steering & Brake System |
| 9 | 1 | 24 089 51 | Spring, Throttle | | | | |
| 10 | 1 | 24 089 46 | Spring, Governor | 45 | 10 | 112-188 | Bolt, Shoulder M10 x 30 |
| 11 | 1 | M-545016 | Screw | 46 | 1 | 606-102 | Shaft, Output R - 11T - 650 HD |
| 12 | 1 | 12 237 01 | Clamp, Cable | 47 | 10 | 117-77 | Locknut, Nylon - M8 x 1,25mm Zn8 |
| 13 | 1 | 127-49 | Spring, Extension - .375 x 2.55 | 48 | 1 | 613-127 | Magnet, Speedometer |
| 14 | | | See Section 3.0 Clutch System | 49 | 10 | 108-05 | Lockwasher 5/16 Split- Ring Zn |
| 15 | 1 | 127-137 | Drive Belt - Avenger | 50 | 4 | 103-41 | SHCS 3/8-16x1.25 Zn |
| 16 | | | See Section 3.0 Clutch System | 51 | 1 | 604-149 | Plate, Eng Mount, 6x6 HDi |
| 17 | 1 | 110-03 | Key 1/4 x 3/16 x 2.375 RC46 | 52 | 4 | 117-29 | Locknut, Nylon 3/8-16 Zn |
| 18 | 1 | 112-164 | HHCS 3/8-16 x 3.50 Gr5 Zn | | | | |
| 19 | 7 | 108-06 | Lockwasher 3/8 Split Ring Zn | | | | |
| 20 | 2 | 108-58 | Washer .47 x 1.37 x .12 Hi- Carbon - 650 | | | | |
| 21 | 1 | 612-101 | Cable Asm, Throttle | | | | |
| 22 | 4 | 103-76 | HHCS 3/8-16x1.75 Gr5 Zn | | | | |
| 23 | 4 | 103-88 | C/Bolt 3/8-16x1.0 Gr5 Zn | | | | |
| 24 | 4 | 108-15 | Washer .42x.81x.05 Zn | | | | |
| 25 | 1 | 112-160 | HHCS, 7/16-20 x 5" Lg - 650 | | | | |
| 26 | 4 | 117-118 | Locknut, Nylon 3/8-16 Flanged | | | | |
| 27 | 1 | 108-84 | Washer, Engine, Clutch 650 | | | | |
| 28 | 4 | 117-21 | Locknut, Nylon 5/16-18 Zn | | | | |
| 29 | 4 | 108-24 | Washer .34 x 1.00 x .06 Zn | | | | |
| 30 | 2 | 112-189 | HHCS 1/2-13 x 1.25 Gr5 Zn | | | | |
| 31 | 4 | 108-107 | Lockwasher 1/2" High Alloy | | | | |
| 32 | 2 | 112-190 | HHCS 1/2-13 x 3.0 Gr5 Zn | | | | |
| 33 | 2 | 165-22 | Disc, Brake - Admiral | | | | |
| 34 | 2 | 100-127 | Fitting, Grease STR 1/4-28 TPR (From S.N. 17093) | | | | |
| 35 | 2 | 108-18 | Washer .40 x 1.37 x .12 Zn | | | | |
| 36 | 2 | 103-60 | HHCS 3/8-24 x 1 Gr5 | | | | |

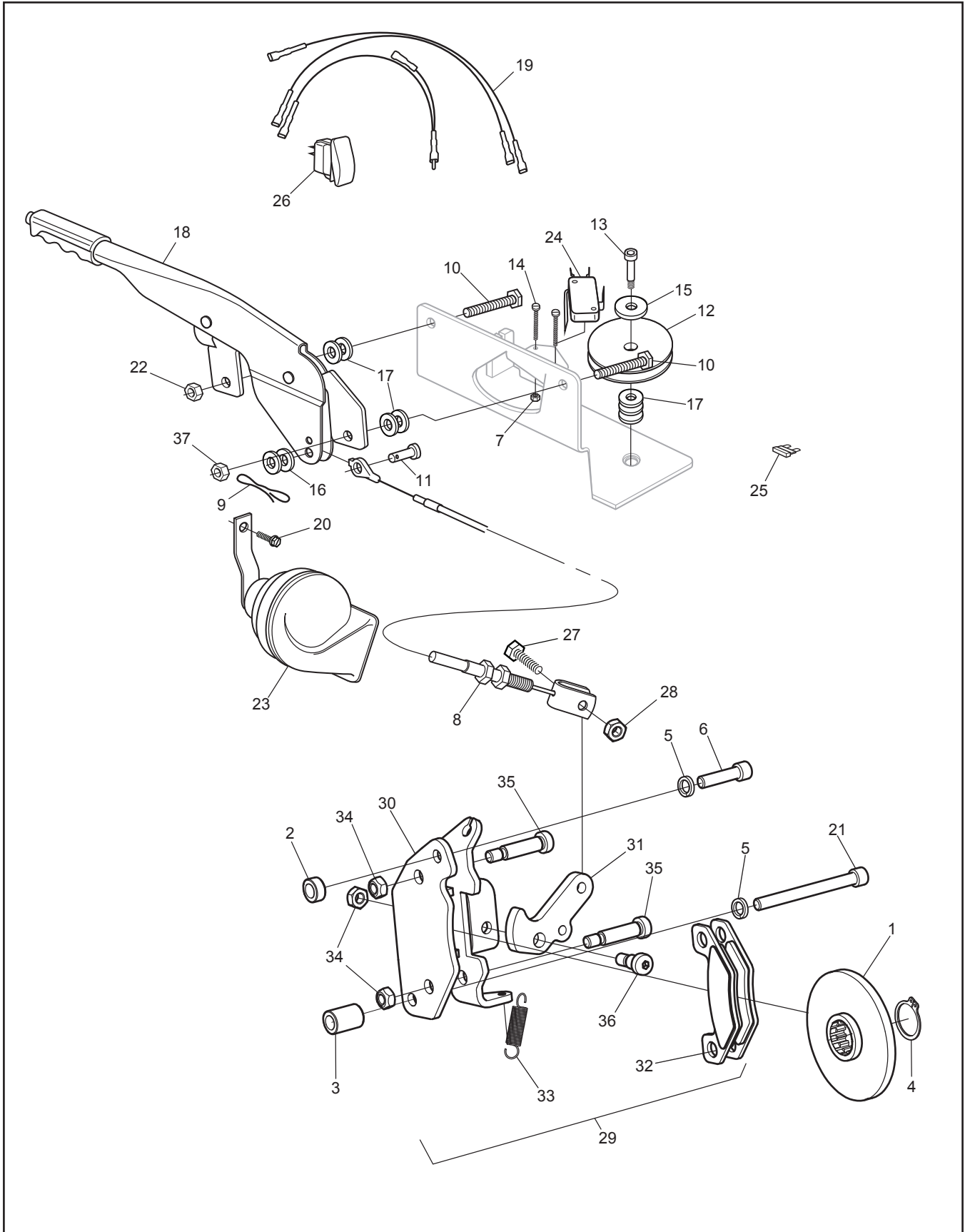
5.0 Steering & Brake System Frontier ST 6x6 Parts Manual



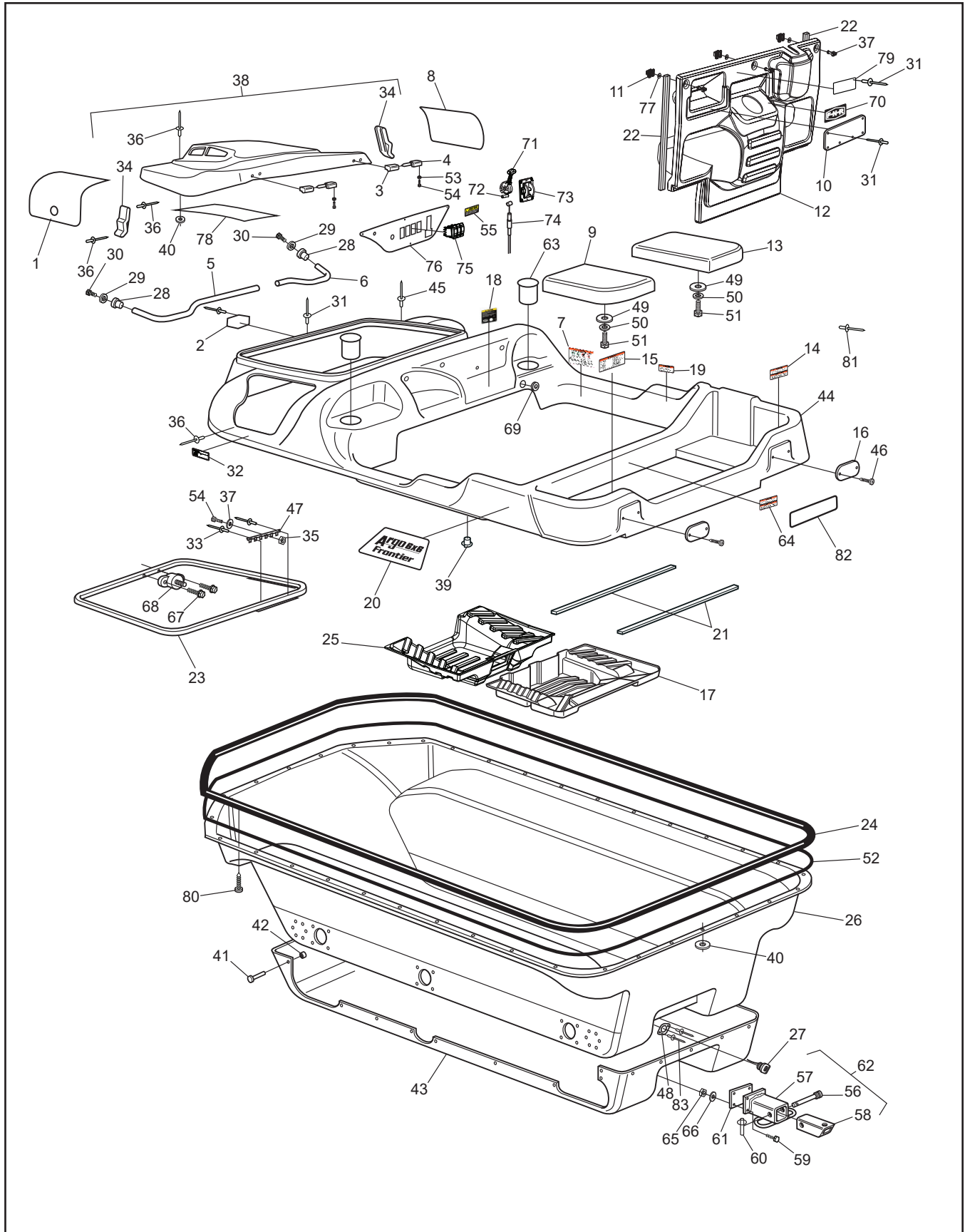
| Ref. | Qty. | Part # | Description | Ref. | Qty. | Part # | Description |
|------|------|---------|--|------|------|---------|------------------------------------|
| 1 | 1 | 612-142 | Wldt., Steering Column | 45 | | 126-19 | Fluid, Brake-Silicon Dot 5 - .35L |
| 2 | 1 | 612-107 | Handlebar Assembly | 46 | 1 | 163-05 | Hose Asm, Hydraulic - Left |
| 3 | 1 | 165-58 | Master Cylinder, RH Wilwood | 47 | 1 | 163-06 | Hose Asm, Hydraulic - Right - SS |
| 4 | 1 | 165-57 | Master Cylinder, LH Wilwood | 48 | 2x2 | 160-42 | Screw, FHMS M5 x 0,8 x 6mm |
| 5 | 1 | 612-128 | Shaft, Steering - Avenger | 51 | 1 | 165-37 | Piston Seal Kit - Wilwood |
| 6 | 2 | 104-42 | Pin, Spring 1/4 x 1.5" | 57 | 2 | 812-30 | Pin, Female |
| 7 | 1 | 108-47 | Washer, .39 x .94 x .13 Zn Di-chr | 58 | 2 | 117-125 | Nut, Jam 5/16-18, Thin |
| 8 | 1 | 117-29 | Locknut, Nylon 3/8-16 Zn | 59 | 2 | 812-31 | Pin, Male |
| 9 | 2 | 612-141 | Wldt., Steering Arm | 60 | 2 | 112-02 | SHSS 10-24x1/4 Knurl Cup PT, PL |
| 10 | 1 | 612-106 | Clamp, Lower Handlebar | 61 | 4 | 165-38 | Caliper Pin, Service Brake HDi |
| 11 | 1 | 612-105 | Clamp, Upper Handlebar | 62 | 2x2 | 168-07 | Pin, Cotter 1/8 x 3.00 Zn |
| 13 | 1 | 112-194 | Bolt, Banjo, M10x1.0, Double | 64 | 6 | 160-44 | Bolt, Banjo - M10 x 1,0 x 21,0 |
| 14 | 2 | 105-16 | Bushing, Oilite - 3/4 x 1/2 | 65 | 15 | 160-01 | Washer, Copper - 1,5 x 10,0 x 14,0 |
| 15 | 2 | 110-17 | Key, 3/16 x 3/16 x .625 | 66 | 3 | 125-84 | Grommet, Rubber |
| 16 | 1 | 117-21 | Locknut, Nylon 5/16-18 Zn | 68 | 1 | 165-43 | Brake Line, Driver Side |
| 17 | 2 | 112-47 | SHCS, 1/4-20 x 1.0 Zn | 69 | 2 | 103-69 | SHCS 1/4-20 x 1.5 Zn |
| 18 | 2 | 117-27 | Locknut, Nylon 1/4-20 Zn | 70 | 1 | 612-132 | Bracket, LCD Gauge - Painted |
| 19 | 1 | 112-155 | C/Bolt 5/16-18x1.25 Gr2 Zn | 71 | 1 | 128-27 | Grommet 1-1/4ID x 1-1/2x3/32 |
| 20 | 1 | 108-24 | Washer, .34 x .70 x .06 Zn | 72 | 2 | 117-86 | Nut, Acorn, 1/4-20 Zn |
| 21 | 2 | 112-04 | HHCS 1/4-20 x 3/4 Gr2 Zn | 73 | 3 | 117-85 | Nut, Acorn, M5 Zn |
| 22 | 2 | 108-03 | Lockwasher 1/4 Split Ring Zn | 74 | 3 | 120-04 | Washer .19 x .50 x.08 Zn |
| 23 | 2 | 112-300 | HHCS, 1/4-20 x 5.0 Gr5 Zn | | | | |
| 24 | 4 | 615-12 | Bushing, Lock - 1/4"IDx5/8OD | | | | |
| 25 | 2x8 | 108-24 | Washer, .34 x .70 x .06 Zn | | | | |
| 26 | 2 | 812-17 | Collar | | | | |
| 27 | 1 | 165-31 | Handbrake, Left Hydraulic | | | | |
| 28 | 1 | 165-42 | Brake Line, Passenger Side | | | | |
| 29 | 2 | 127-35 | Grip, Molded | | | | |
| 30 | 1 | 127-81 | Throttle Twist Grip | | | | |
| 31 | 1 | 612-101 | Cable Asm., Throttle | | | | |
| 32 | 2 | 165-32 | Caliper, Service (includes Ref. 44 & 61) | | | | |
| 33 | 1 | 166-12 | Caliper, Hydraulic Brake - L | | | | |
| 34 | 1 | 166-13 | Caliper, Hydraulic Brake - R | | | | |
| 35 | 2 | 161-05 | O-ring Kit, Knott Caliper | | | | |
| 36 | 4 | | Seal, Piston | | | | |
| 37 | 2 | | Seal, Rubber | | | | |
| 38 | 2x1 | 168-20 | Plug, Rubber | | | | |
| 39 | 2x1 | 168-02 | Screw, Bleeding, Knott Caliper | | | | |
| 40 | 2x4 | 103-55 | HHCS, 5/16-18 x 2.75 Gr5 Zn | | | | |
| 41 | 1 | 170-03 | Pad Set (4), Brake - Non-Asbestos | | | | |
| 42 | 2x4 | 117-125 | Nut, Jam 5/16-18 Thin | | | | |
| 43 | 2x2 | 168-01 | Piston, Knott Caliper | | | | |
| 44 | 1 | 165-36 | Brake Pad (4) Replacement - Kit | | | | |

6.0 Parking Brake

Frontier ST 6x6 Parts Manual



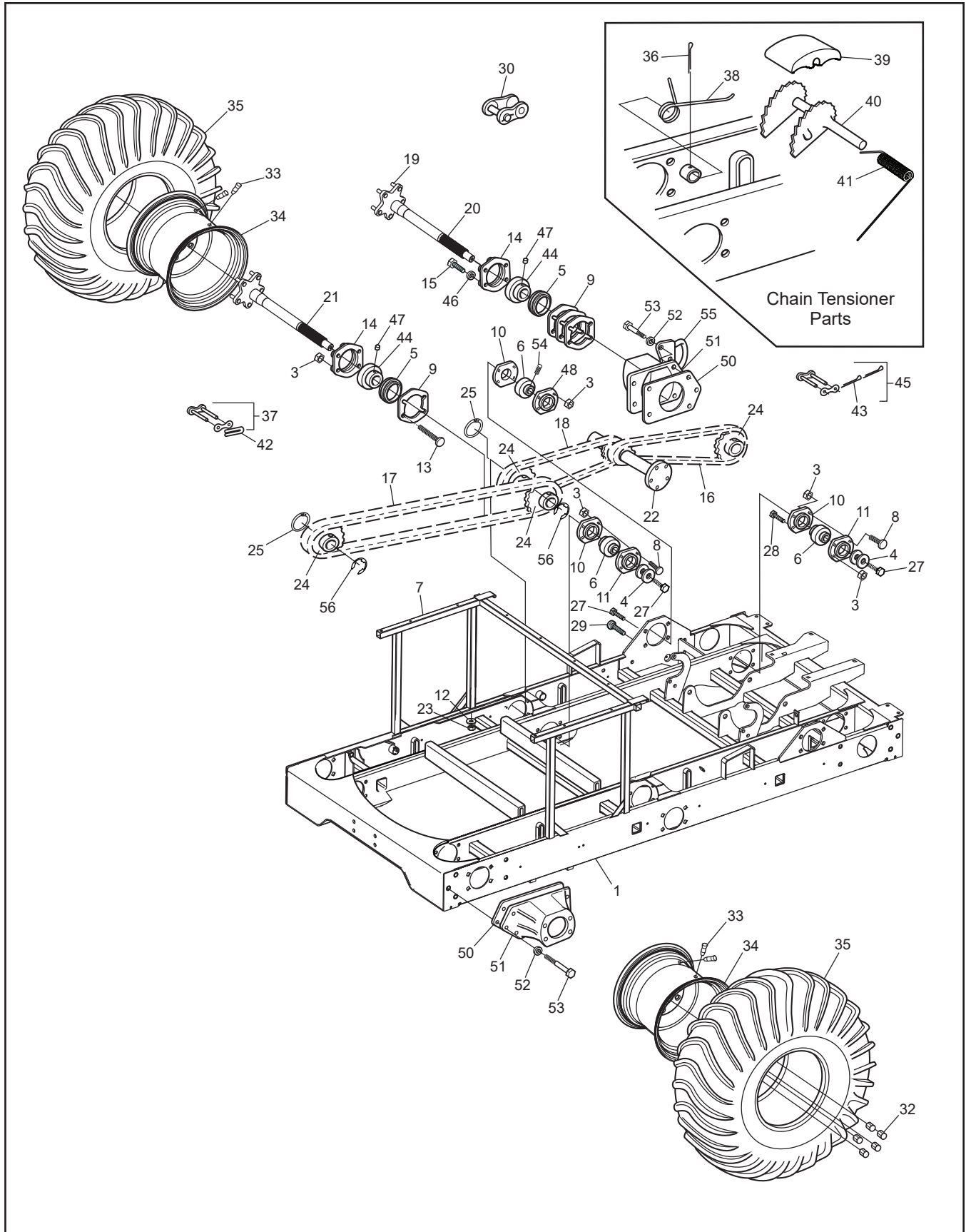
| Ref. | Qty. | Part # | Description |
|------|------|---------|---|
| 1 | 1 | 165-52 | Rotor, E-Brake |
| 2 | 1 | 165-49 | Spacer, ID.39 x OD.63 x .295 |
| 3 | 1 | 165-48 | Spacer, ID.39 x OD.63 x .90 |
| 4 | 1 | 106-29 | Retaining Ring SH-0093-PA |
| 5 | 2 | 108-05 | Lockwasher 5/16 Split-Ring Zn |
| 6 | 1 | 112-143 | SHCS 5/16 x 1.25 Zn |
| 7 | 2 | 112-173 | Locknut, #5-40, Zn |
| 8 | 1 | 850-81 | Cable, Parking Brake |
| 9 | 1 | 100-140 | Pin, Bow-Tie Cotter 0.091 x 1.875 |
| 10 | 2 | 103-06 | HHCS 5/16-18x1.0 Gr5 Zn |
| 11 | 1 | 104-27 | Pin, Clevis 5/16x.75" Zn |
| 12 | 1 | 850-79 | Pulley, Parking Brake Cable |
| 13 | 1 | 112-178 | Bolt, Shoulder, 1/2 x 5/8 |
| 14 | 2 | 112-172 | SHCS 5-40 x 3/4 Zn |
| 15 | 1 | 108-35 | Washer .53 x 1.06 x .09 Zn |
| 16 | 2 | 108-24 | Washer .34x.70x.06 Zn |
| 17 | 7 | 108-47 | Washer .39x.94x.13 Zn Di-Chro |
| 18 | 1 | 809-147 | Lever, Parking Brake |
| 19 | 1 | 848-176 | Harness, Horn Momentary* |
| 20 | 1 | 112-19 | Screw,IHWH T/C Slot 1/4-20x1/2* |
| 21 | 1 | 112-228 | SHCS 5/16-18 x 3.25 Zn |
| 22 | 1 | 117-21 | Locknut, Nylon 5/16-18 Zn |
| 23 | 1 | 848-87 | Horn, Electric* |
| 24 | 1 | 613-120 | Switch, Micro, Lever |
| 25 | 1 | 118-52 | Fuse, 10A 2-Prong (AT010)* |
| 26 | 1 | 848-175 | Switch, Horn Momentary* |
| 27 | 1 | 103-08 | HHCS 1/4-20 x 1.0 Zn |
| 28 | 1 | 117-27 | Locknut, Nylon 1/4-20 Zn |
| 29 | 1 | 165-50 | Caliper, Parking Brake, Ass'y(incl. Ref. #'s 30-36) |
| 30 | 1 | 165-44 | Caliper, Wldt Parking Brake |
| 31 | 1 | 165-51 | Cam, Caliper, Park Brake |
| 32 | 1 | 165-36 | Brake Pad Replacement Kit |
| 33 | 1 | 127-280 | Spring, Extension 3/8" x 1.75" |
| 34 | 3 | 117-25 | Nut, Conelock 5/16-18 |
| 35 | 2 | 112-224 | Bolt, Shoulder 3/8 x 1.25 |
| 36 | 1 | 112-223 | Bolt, Shoulder 3/8 x 0.38 |
| 37 | 1 | 117-124 | Locknut, Nylon Acorn 5/16-18 Zn |
| | | | *If equipped |



Frontier ST 6x6 Parts Manual

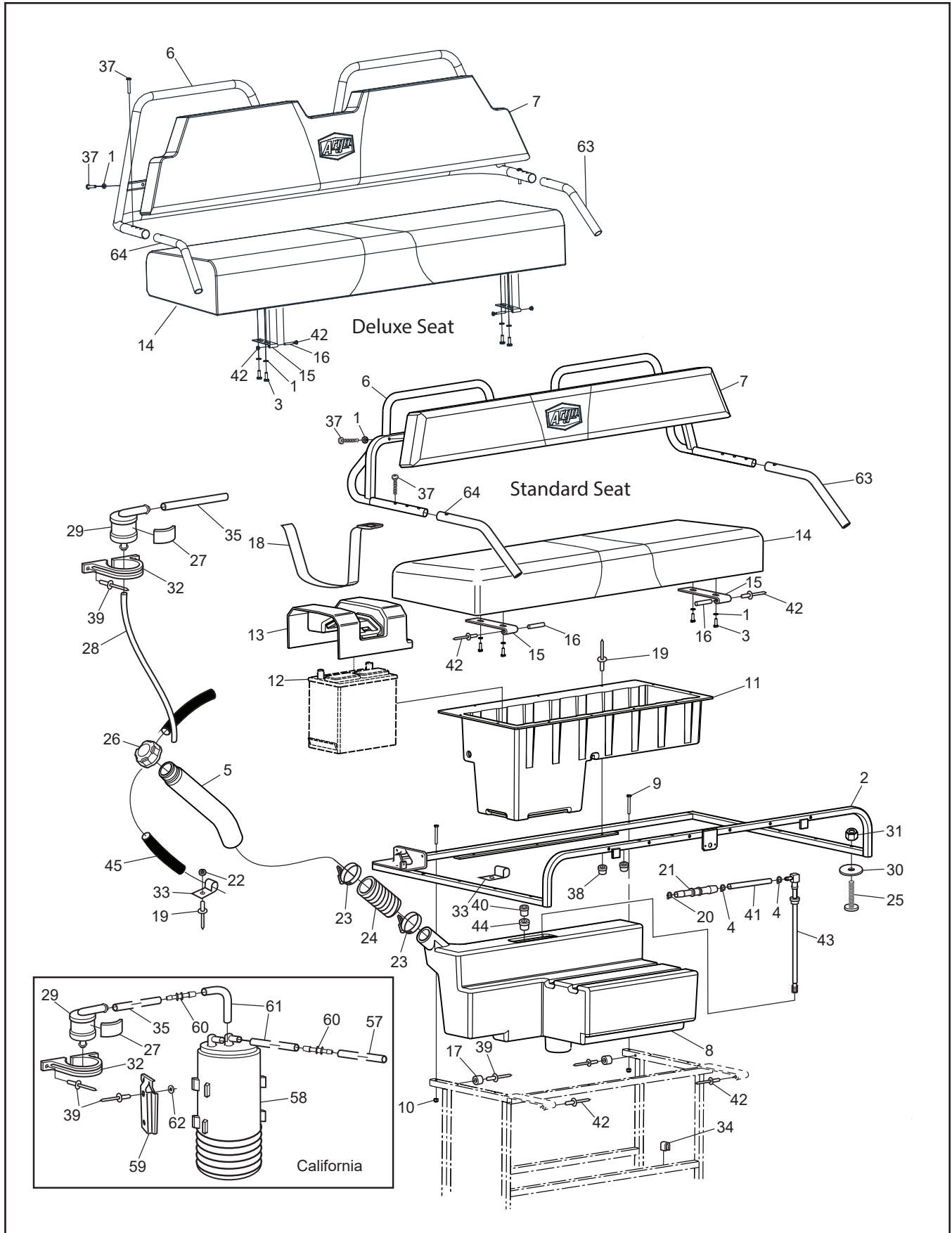
7.0 Vehicle Body & Firewall

| Ref. | Qty. | Part # | Description | Ref. | Qty. | Part # | Description |
|------|------|------------|---|------|------|-----------|---|
| 1 | 1 | 707-43 | Screen - Exhaust | 43 | 1 | 603-98 | Skid Plate, 6x6 - Black |
| 2 | 1 | 601-130 | Nameplate, "Argo" | 44 | 1 | 601-124 | Body & Hood 6x6 HD 650 (specify colour) (incl. 23, 33, 38) |
| 3 | 2 | 127-45B | Knuckle, Hinge | 45 | 109 | 120-09 | Rivet 3/16 x 1 - Black |
| 4 | 2 | 127-45A | Pin, Hinge | 46 | 4 | 103-48 | T/S Pan HD PHIL #10 x 5/8 |
| 5 | 1 | 601-103 | Tube, Dash Handle, Pass.SD | 47 | 1 | 613-37 | Terminal Strip, Ground |
| 6 | 1 | 601-104 | Tube, Dash Handle, Drv. SD | 48 | 2 | 100-114 | Gasket, Drain Plug |
| 7 | 1 | 126-68 | Plate, Operation | 49 | 2 | 603-15 | Washer, Plastic 5/16 Hole |
| 8 | 1 | 707-42 | Screen, Intake | 50 | 2 | 108-01 | Washer, Fender 1/4 BS x 1.25 OD |
| 9 | 1 | 601-03 | Seat, Rear - Left - 6x6 - Black | 51 | 2 | 103-08 | HHCS 1/4-20 x 1.0 Zn |
| | 1 | 601-03CF | Seat, Rear - Left - 6x6 - CF | 52 | 1 | 126-60 | Vinyl Strip, 1/2" x 1/4" x 37.5' |
| 10 | 1 | 609-49 | Glove Box, Firewall - 6x6 Adm. | 53 | 8 | 108-59 | Lockwasher #10 Int. Tooth Zn |
| 11 | 3 | 117-126 | Clip, Q-Turn 6mm - Steel | 54 | 9 | 103-47 | HHCS 10-24 x 1/2 |
| 12 | 3 | 609-42 | Firewall, Admiral | 55 | 1 | 127-221 | Label, Shift Warning |
| 13 | 1 | 601-02 | Seat, Rear - Right - 6x6 - Black | 56 | 1 | 104-13 | Pin, Toplink - 3/4 x 2.75 |
| | 1 | 601-02CF | Seat, Rear - Right - 6x6 - CF | 57 | 1 | 616-16 | Hitch Assembly |
| 14 | 1 | 126-67 | Plate, Floor Pan | 58 | 1 | 616-19 | Tube, Hitch |
| 15 | 1 | 127-173 | Plate, Vehicle Capacity | 59 | 4 | 103-61 | HHCS 3/8-24 x 1.5 Gr5 Zn |
| 16 | 2 | 127-01 | Reflector, Red | 60 | 1 | 104-11 | Pin, Lynch - Ring |
| 17 | 1 | 803-61 | Floor Pan, Rear - Frontier | 61 | 1 | 616-20 | Gasket, Rear Hitch |
| 18 | 1 | 127-199 | Label, Caution - Dash - HD | 62 | 1 | 626-10 | Hitch Kit |
| 19 | 1 | 126-69 | Plate, Fuel | 63 | 2 | 100-109 | Cup Holder Insert |
| 20 | 1 | 850-369L | Nameplate, Argo 6x6 Frontier LH | 64 | 1 | 127-51 | Plate, Capacity 6x6 |
| | 1 | 850-369R | Nameplate, Argo 6x6 Frontier RH | 65 | 4 | 117-24 | Locknut, Nylon 3/8-24 Zn |
| 21 | 2 | 601-106 | Trim, Vinyl - 30" Black | 66 | 4 | 108-15 | Washer .42 x .81 x .05 Zn |
| 22 | 2 | 809-166-15 | Seal, 15" Long | 67 | 2 | 112-51 | Screw, IHWH T/C #10-24x5/8 |
| 23 | 1 | 602-53 | Frame Ass'y, Hood - Front | 68 | 1 | 613-123 | Post, Power, 5/16-18, Red |
| 24 | 1 | 601-05 | Bumper, Vinyl - 6x6 | 69 | 1 | 128-26 | Grommet, 1-1/2ID x 1-3/4x1/4 |
| | 1 | 601-129 | Bumper, Vinyl - 6x6, Brown - Scout | 70 | 1 | 127-200 | Label, F-N-R-HDi |
| 25 | 1 | 803-63 | Floor Pan, Front - HDi | 71 | 1 | 127-212 | Pivot, Hi-Lo Shifter |
| 26 | 1 | 603-99 | Body, Lower - Frontier | 72 | 1 | 104-57 | Pin, Slotted - .375 x 1.25 |
| 27 | 2 | 100-107 | Plug, Drain - Flanged | 73 | 1 | 127-211 | Bracket, Hi-Lo Shifter |
| 28 | 2 | 113-12 | Insert, 1/2-13 | 74 | 1 | 127-198 | Cable, Hi-Lo Shifter |
| 29 | 2 | 108-35 | Washer .53 x 1.06 x .09 Zn | 75 | 1 | | See Section 10.0 Electrical System |
| 30 | 2 | 112-151 | HHCS 1/2-13 x 1" Gr2 Zn | 76 | 1 | 601-121 | Panel, Dash - 6x6 Adm |
| 31 | 29 | 120-13 | Rivet, 3/16 x 3/4 Black | 77 | 3 | 114-40 | Washer, Stud Retainer 6mm |
| 32 | 1 | 127-144 | Label, Warning - HOT | 78 | 1 | 606-68 | Screen, 1 Pc Hood/Scoop |
| 33 | 2 | 120-15 | Rivet - 1/8 x 7/16 | 79 | 1 | 129-01 | Plate, Geared By ODG |
| 34 | 2 | 602-56 | Latch, Hood - Soft Draw | 80 | 8 | 112-292 | T/S Washer Hd Phil #8x3/4 Blk |
| 35 | 1 | 117-10 | Locknut, 10-24 N/I Zn | 81 | 34 | 120-24 | Rivet, Alum - 3/32 x 3/8 Black |
| 36 | 9 | 120-11 | Rivet, 5/32 x .157-.472 | 82 | 1 | 850-373 | Nameplate, Frontier ST |
| 37 | 3 | 112-312 | Stud, Q-Turn 6mm x 15mm Stl | 83 | 4 | 10081A001 | Rivet, 3/16 x 0.376 - 0.500 AL |
| 38 | 1 | 602-57 | Hood Kit - Frontier & HD (specify colour) (incl. 3, 4, 34, 36, 53, 54) | | | | Note: For ultra chrome add UC to part # |
| 39 | 2 | 117-44 | T- Nut 1/4-20 Zn | | | | |
| 40 | 90 | 120-04 | Washer .19 x .50 x .08 Zn | | | | |
| 41 | 26 | 120-27 | Pin, Magna Grip (if equipped) | | | | |
| 42 | 26 | 120-28 | Collar, Magna Grip (if equipped) | | | | |



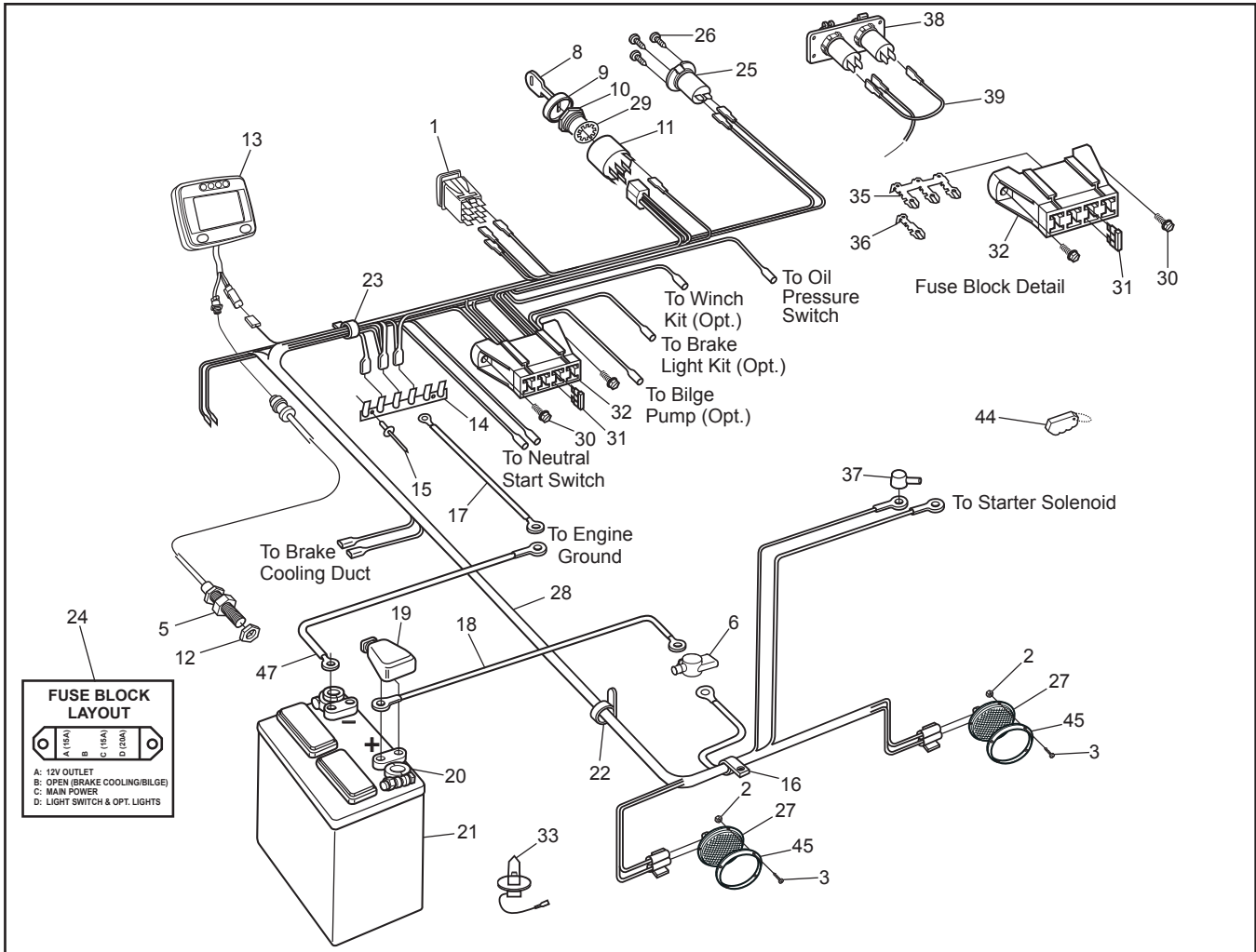
| Ref. | Qty. | Part # | Description | Ref. | Qty. | Part # | Description |
|------|------|---------|--|------|----------|---------|---|
| 1 | 1 | 604-151 | Frame Wldt. - 6x6 HD | 45 | 2 | 127-188 | Link, Con. #60 Lambda |
| 3 | 56 | 117-118 | Locknut, Nylon 3/8-16 Flanged | 46 | 12 | 108-06 | Lockwasher 3/8 Split-RingZn |
| 4 | 12 | 108-46 | Washer .40 x 1.37 x .12 Hi-Carbon | 47 | 8 | 112-200 | SHSS 5/16-24x5/16 Flat PT |
| 5 | 6 | 606-89 | Carrier, Axle Bearing | 48 | 2 | 606-93 | Flange, Greaseable - 90 Deg Hd |
| 6 | 8 | 101-41 | Bearing, Ball - 1.0 | 50 | 4 | 606-25 | Gasket - Bearing Extension |
| 7 | 1 | 604-154 | Frame Wldt, Seat 6x6 | 51 | 4 | 810-112 | Bearing Extension w/nuts |
| 8 | 23 | 103-88 | C/Bolt 3/8-16 x 1.0 Gr5 Zn | 52 | 20 | 108-34 | Washer .47 x .94 x .06 Zn |
| 9 | 12 | 606-90 | Gasket, Flange - 72mm | 53 | 20 | 112-181 | HHCS 7/16-20 x 1.5 Gr5 Zn |
| 10 | 14 | 606-91 | Flange - 4 Hole Hd | 54 | 4 | 112-60 | SHSS 1/4-28 x 1/2 Cup Pt. |
| 11 | 10 | 606-92 | Flange, Greasable - 4 Hole Hd | 55 | 2 | 642-47 | Tie Down Bracket |
| 12 | 4 | 108-24 | Washer .34x.70x.06 Zn | 56 | 4 | 106-34 | Retaining Ring, E-style 1.375 |
| 13 | 24 | 112-187 | C-Bolt 3/8-16x2.0 Gr5 Zn | | | | Tire, Rim & Valve Assemblies |
| 14 | 6 | 606-88 | Flange Ass'y, Outer Bearing | 6 | 125-109R | | Ass'y, 24" Tire & 8" Offset Rim, R |
| 15 | 16 | 103-68 | HHCS 3/8-16 x 2.0 Gr5 Zn | 6 | 125-109L | | Ass'y, 24" Tire & 8" Offset Rim, L |
| 16 | 2 | 606-100 | Chain, RC60 - 1 x 40P | | | | |
| 17 | 2 | 606-47 | Chain, RC60 - 1 x 96P | | | | |
| 18 | 2 | 606-101 | Chain, RC60 - 1 x 68P | | | | |
| 19 | 5x6 | 112-183 | Stud, Wheel 7/16-20x1.5 | | | | |
| 20 | 4 | 810-122 | Axle Ass'y - Forged - FR/RR | | | | |
| 21 | 2 | 810-123 | Axle Ass'y - Forged - Mid | | | | |
| 22 | | | See Section 4.0 Power Pack Assembly | | | | |
| 23 | 4 | 117-127 | Locknut, Nylon 5/16-18 Zn | | | | |
| 24 | 8 | 805-143 | Sprocket, S60 x 19T-16/32 Int | | | | |
| 25 | 4 | 106-15 | Retaining Ring SH-0137-PA | | | | |
| 27 | 10 | 112-31 | HHCS 3/8-16 x 1.0 2B Gr8 Zn | | | | |
| 28 | 1 | 103-82 | HHCS 3/8-16 x 1.5 Gr5 Zn | | | | |
| 29 | 4 | 112-61 | C/Bolt 3/8-16 x 1.25 Gr5 Zn | | | | |
| 30 | | 127-80 | Link, Half - RC60 - 1 (opt.) | | | | |
| 32 | 5x6 | 117-35 | Nut, Wheel 7/16-20 Zn | | | | |
| 33 | 12 | 125-26 | Valve, Tire | | | | |
| 34 | 6 | 125-108 | Rim - 8" Offset | | | | |
| 35 | 6 | 127-158 | Tire, Argo 24 x 10-8 | | | | |
| 36 | 4 | 100-01 | Pin, Cotter 1/8 x 1.50 Zn | | | | |
| 37 | 1x6 | 603-84 | Con. Link, RC60-1 H.D. | | | | |
| 38 | 4 | 127-65 | Spring Torsion - 1.16x0.35 | | | | |
| 39 | 4 | 606-44 | Slider Block | | | | |
| 40 | 4 | 606-82 | Tensioner Asm, Chain | | | | |
| 41 | 4 | 127-64 | Spring, Torsion - .76 x 1.9 | | | | |
| 42 | 6 | 603-96 | Spring Clip - RC 60 Closed | | | | |
| 43 | 4 | 104-35 | Pin, Cotter 2mm x 12mm | | | | |
| 44 | 6 | 101-123 | Bearing, Ball -1.375 x 72mm | | | | |

9.0 Fuel System & Seat Assembly Frontier ST 6x6 Parts Manual



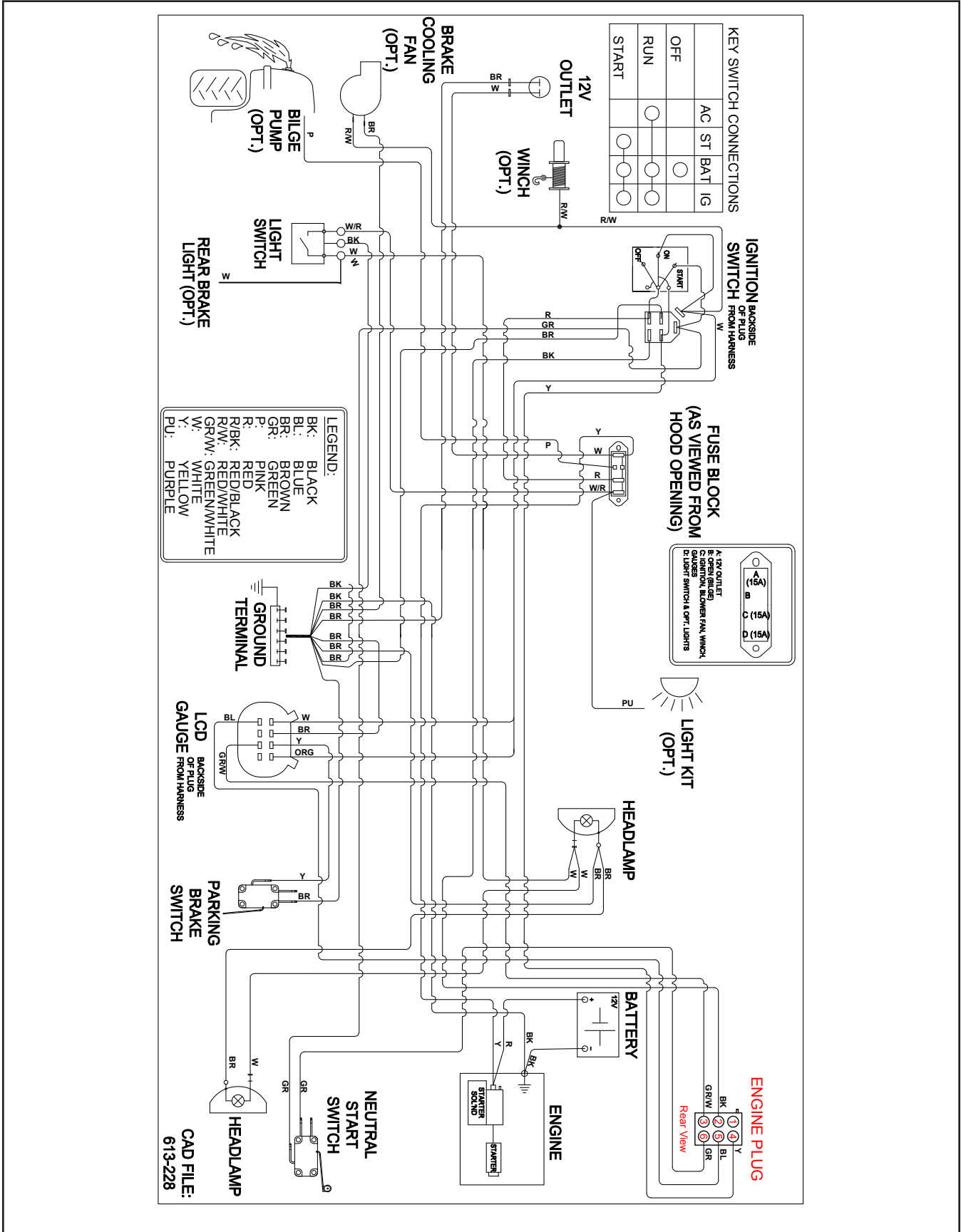
Frontier ST 6x6 Parts Manual 9.0 Fuel System & Seat Assembly

| Ref. | Qty. | Part # | Description | Ref. | Qty. | Part # | Description |
|------|-------|-----------|---|------|-------|-----------|---|
| 1 | 8 | 108-03 | Lockwasher 1/4 Split Ring Zn | 42 | 4 | 120-31 | Rivet, 3/16" x 1/4, Open End |
| 2 | 1 | 608-74 | Frame Assembly, Seat | 43 | 1 | 608-127 | Pick-up, Fuel, 5/16 105 Mesh |
| 3 | 4 | 112-04 | HHCS 1/4-20x3/4 Gr2 Zn | 44 | 1 | 608-136 | Grommet, Fuel Return |
| 4 | 2 | 112-78 | Clamp, Hose, 9/16 | 45 | 1 | 608-66 | Hose, Fuel 1/4" ID, 80" |
| 5 | 1 | 608-140 | Fuel, Fill Neck Assembly | | | | United States Vehicle Kit |
| 6 | 1 | 608-186 | Weld. Adj. Backrest, Std | | | | Plate, Serial Blank Double Label, U.S EPA EVAP Approval |
| or | 1 | 848-290 | Weld. Backrest, Deluxe (ST LE model only) | | | | |
| 7 | 1 | 608-39C | Back Pad Assembly-Std | 1 | 1 | 127-273 | |
| or | 1 | 850-415 | Seat, Front Backrest, Deluxe (ST LE model only) | 1 | 1 | 127-274 | |
| 8 | 1 | 608-120 | Tank, Fuel Low Permeation | 46 | 2 | 120-24 | Rivet, Alum - 3/32 x 3/8 Black |
| 9 | 2 | 112-214 | HHCS, 1/4-20 x 2.0 Gr. 5 Zinc | | | | California Vehicle Kit |
| 10 | 2 | 117-27 | Locknut, Nylon 1/4-20 BNZ | | | | Plate, Serial Blank Double Label, U.S EPA EVAP Approval |
| 11 | 1 | 608-54 | Toolbox | 1 | 1 | 127-273 | |
| 12 | 1 | 127-54 | See Section 10.0 Electrical System | 1 | 1 | 127-274 | |
| 13 | 1 | 608-55 | Cover, Battery | 39 | 2 | 120-13 | Rivet - 3/16 x 3/4 Black |
| 14 | 1 | 608-88 | Seat Assembly, Bench - Thick | 56 | 4 | 120-24 | Rivet, Alum - 3/32 x 3/8 Black |
| | 1 | 608-88CF | Seat Assembly, Bench - CF | | | | Label, Carb EVAP Approval |
| 15 | 2 | 608-81 | Hinge, Seat, Bolted | 1 | 1 | 127-275 | |
| 16 | 2 | 104-43 | Pin, 3/16" x 1-1/8" | 57 | 3.16' | 126-101RM | Hose, Vent 3/16" ID |
| 17 | 2 | 126-102 | Bumper, Recessed Hole | 58 | 1 | 609-45 | Carbon Canister 800cc |
| 18 | 1 | 608-56 | Strap, Battery | 59 | 1 | 609-46 | Bracket, Carbon Canister |
| 19 | 17 | 120-09 | Rivet 3/16x1 - Black | 60 | 2 | 609-48 | Reducer, Barbed 1/4" to 3/16" |
| 20 | 4 | 112-79 | Clamp, Hose, 1/2" Red | 61 | 2 | 127-160-3 | Hose, 1/4ID x 3/8OD - 3" Long |
| 21 | 1 | 808-133 | Reducer, 5/16" to 1/4" Barbed | 62 | 2 | 120-05 | Washer .19x.50x.04 Zn |
| 22 | 8 | 120-04 | Washer .19 x .50 x .08 Zn | 63 | 1 | 608-191 | Tube, L.F. Backrest |
| 23 | 2 | 100-12 | Clamp, Gear 2.25" HF-36 | 64 | 1 | 608-192 | Tube, R.F. Backrest |
| 24 | 1 | 125-94 | Hose, Filler | | | | |
| 25 | 10 | 112-07 | RHMS 10-24 x 1.50 Zn | | | | |
| 26 | 1 | 126-100 | Fuel Cap, Tethered | | | | |
| 27 | 1 | 126-60 | Vinyl Strip 1/2" x 1/4" | | | | |
| 28 | 6' | 127-160RM | Tubing, 1/4 ID Clear Plastic | | | | |
| 29 | 1 | 609-47 | Valve, Rollover | | | | |
| 30 | 10 | 108-42 | Washer .21 x 1.0x.06 Zn | | | | |
| 31 | 14 | 117-10 | Locknut, Nylon #10-24 Zn | | | | |
| 32 | 1 | 609-50 | Clamp, Rollover Valve | | | | |
| 33 | 9 | 126-93 | Clamp, Nylon Wire - 1/2" ID | | | | |
| 34 | 2 | 702-06 | Foam Cushion | | | | |
| 35 | 2.54' | 126-101RM | Hose, Vent 3/16" ID | | | | |
| 36 | 2 | 112-41 | PHMS, Phil 1/4-20 x 1.25 Zn | | | | |
| 37 | 4 | 103-03 | PHMS, Phil 1/4-20 x 1.50 Zn | | | | |
| 38 | 2 | 117-64 | Insert, 1/4-20 Steel Cad Pltg. | | | | |
| 39 | 4 | 120-13 | Rivet, 3/16 x 3/4 Black | | | | |
| 40 | 1 | 608-137 | Plug, Push-In | | | | |
| 41 | 2" | 608-69RM | Hose, Fuel - 5/16" ID Carb | | | | |



| Ref. | Qty. | Part # | Description |
|------|------|---------|-------------------------------|
| 1 | 1 | 613-153 | Switch, Light |
| 2 | 8 | 117-93 | Nut, Speed #10 |
| 3 | 8 | 112-198 | T/S Pan Hd Phil #10 x 1 Blk. |
| 5 | 1 | 613-226 | Sensor, Speedo Pickup 1 Pc. |
| 6 | 1 | 613-124 | Insulator, 2 Way w/cap, Red |
| 7 | 1 | 118-30 | Terminal, Eye #10 |
| 8 | 2 | 127-108 | Key, Molded |
| 9 | 1 | 127-107 | Cover, Nut |
| 10 | 1 | 127-106 | Nut, Flanged - Plastic |
| 11 | 1 | 127-105 | Switch - Ignition |
| 12 | 1 | 117-87 | Nut, M12 x 1.25, Zn |
| 13 | 1 | 613-130 | Gauge, LCD |
| 14 | 1 | 613-37 | Terminal Strip, Ground |
| 15 | 2 | 120-15 | Rivet 1/8 x 7/16 |
| 16 | 4 | 127-24 | Clamp, Nylon - 1" ID |
| 17 | 1 | 613-14 | Wire, Ground - 14" |
| 18 | 1 | 613-94 | Wire, Positive Battery |
| 19 | 1 | 127-55 | Cap, Battery Terminal - Red |
| 20 | 2 | 127-56 | Terminal, Battery Post |
| 21 | 1 | 127-54 | Battery, Exide 45-60 |
| | 1 | 613-161 | Battery, Optima - Argo (Opt.) |
| 22 | 8 | 100-64 | Tie Wrap - 5.5" - Black |

| Ref. | Qty. | Part # | Description |
|------|------|---------|--------------------------------------|
| 23 | 13 | 126-93 | Clamp, Nylon Wire - 1/2" ID |
| 24 | 1 | 127-154 | Label, Fuse Panel |
| 25 | 1 | 613-90 | Outlet, 12 V DC |
| 26 | 8 | 112-139 | #4 Phil Drive Oval Head Screw, Black |
| 27 | 2 | 613-159 | Headlight - 3.75W |
| 28 | 1 | 613-228 | Wire Harness, Kohler EFI |
| 29 | 1 | 114-26 | Lockwasher, 5/8 Int. Tooth |
| 30 | 2 | 112-51 | Screw, IHWH T/C #10-24x5/8 |
| 31 | 3 | 118-49 | Fuse, 15 A 2-prong (AT015) |
| 32 | 1 | 118-60 | Block Fuse - 8 position (4 fuse) |
| 33 | 2 | 127-46 | Bulb, Headlight - Halogen |
| 35 | 1 | 118-63 | Terminal, Fuse - Triple |
| 36 | 5 | 118-62 | Terminal, Fuse - Single |
| 37 | 3 | 613-45 | Insulator, Terminal (6 ga.) |
| 38 | 1 | 118-80 | Outlet, 12V & Twin USB (if equip.) |
| 39 | 1 | 613-231 | Wire Harness, USB (if equip.) |
| 44 | 1 | 681-00 | FOB, Key - Floating |
| 45 | 2 | 613-152 | Bezel, Headlamp |
| 47 | 1 | 613-95 | Wire, Negative Battery |



ARGO Products Manufactured by:

Ontario Drive & Gear Limited

220 Bergey Court

New Hamburg, Ontario

Canada N3A 2J5

Phone: (519) 662-2840

Fax: (519) 662-2421

www.argoxtv.com

ODG *Dedicated to quality and performance*