

FRONTIER



ARGO 6x6

2020 PARTS MANUAL

Frontier 600 6x6

Frontier 700 6x6

Frontier 700 Scout 6x6

Foreword

ODG has prepared this parts manual for the Frontier models to assist both qualified mechanics and vehicle owners in ordering correct, quality replacement ARGO parts. For the most current parts manual contact your dealer or visit our website at www.argoxtv.com.

Proper and regular service, and replacing old, worn or broken parts with the correct ARGO replacement parts, are both essential to prolonging the life of the ARGO. Please refer to this parts manual and/or our website www.argoxtv.com before ordering any replacement part.

All information contained in this Frontier Parts Manual is based on the latest product specification available at time of release. If your Frontier differs from the specifications contained in this manual, contact your dealer for the most current information.

ODG reserves the right to alter specifications on the Frontier models at any time, without obligation or prior notification.

Reproduction of this Frontier Parts Manual, in whole or in part, is prohibited without prior written permission from Ontario Drive & Gear Limited.

Vehicle Identification

Frontier - 2020 Serial Nos... last 5 digits of V.I.N.

Explanation of Parts Manual Format

Ref - Reference number between assembly diagram and component parts list

Part No. - Argo replacement part number for identification and re-ordering

Description - Part description for identification and re-ordering

Qty - Indicates the quantity of a part used in an assembly



Using the Parts Manual

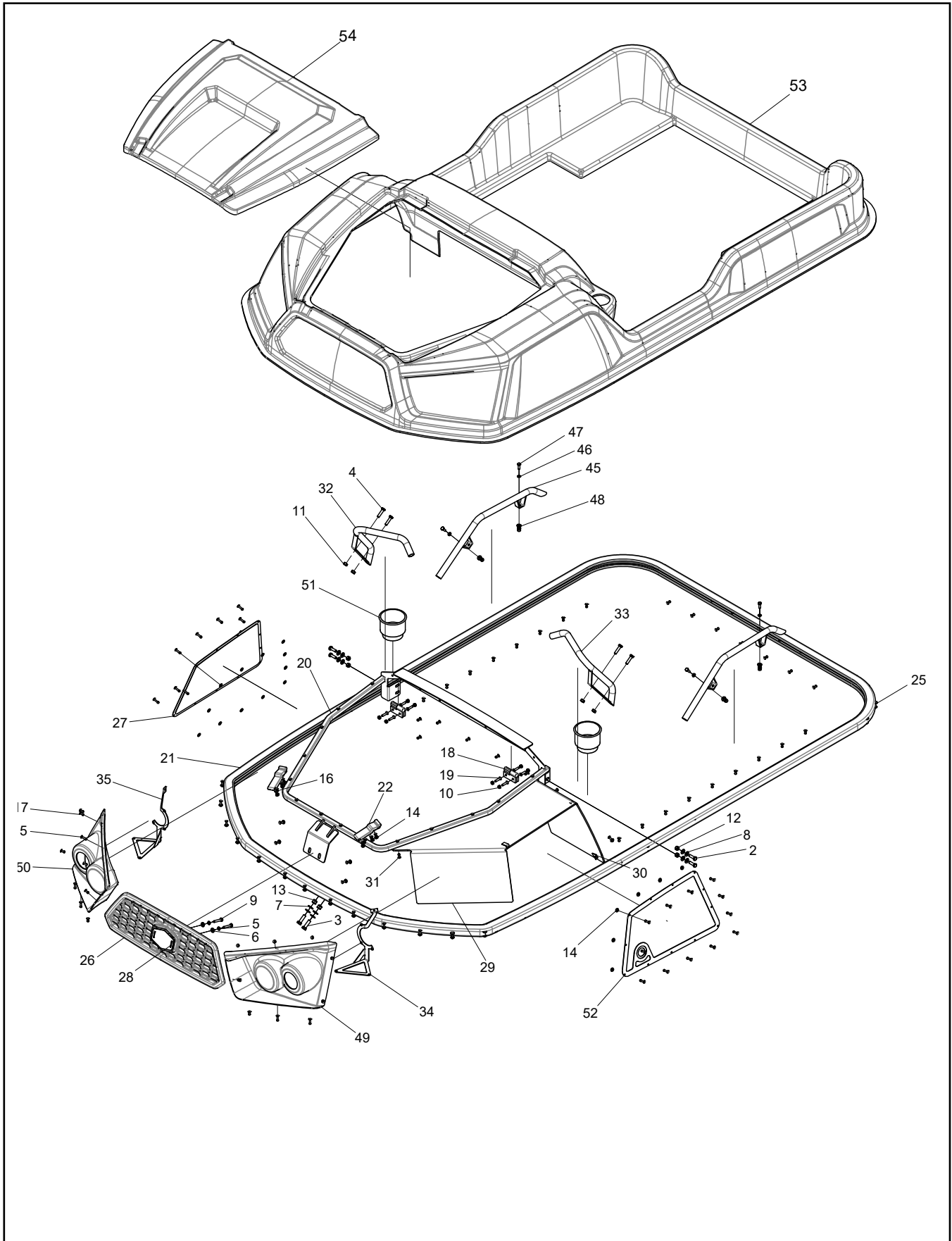
1. Find the major vehicle assembly in the Table of Contents on this page, and turn to that section.
2. Locate the part in the illustration that you wish to order.
3. Refer to the parts list in that section.
4. Find the correct part number (Part No.), part description (Description) and correct quantity (Qty).
5. Use *only* this information to order ARGO replacement parts. **DO NOT** attempt to order a replacement part by reference number or page number.

Table of Contents

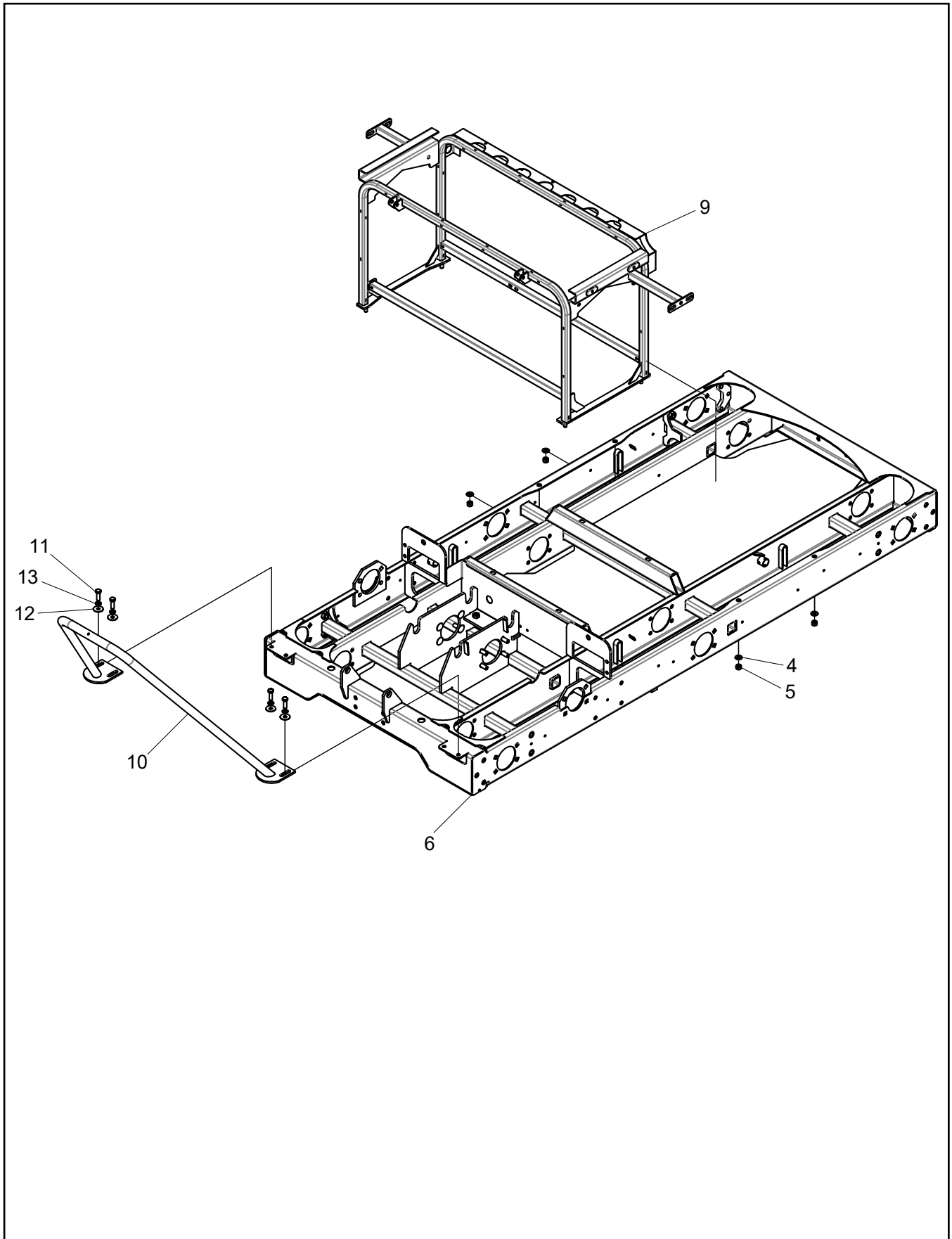
Foreword	i
Vehicle Identification.....	i
Using the Parts Manual	ii
1.0 Upper Body	1
2.0 Chassis.....	3
3.0 Lower Body	5
4.0 Covers	7
5.0 Axle & Driveline with Extensions	9
5.1 Axle & Driveline without Extensions	11
6.0 Fuel System	13
7.0 Intake System B&S 18HP	15
7.1 Intake System Kohler 23HP	16
8.0 Exhaust System B&S 18HP	17
8.1 Exhaust System Kohler 23HP	18
9.0 Wheel - Standard	19
10.0 Seat - Front	20
10.1 Seat - Rear	21
11.0 Steering & Brakes	23
12.0 Clutch	25
13.0 Transmission	27
13.1 Transmission & Controls	29
14.0 Engine - Kohler 23HP.....	31
14.1 Engine - B&S 18HP.....	33
15.0 Labels	35
15.1 Labels, By Region	37
16.0 Electrical	39
16.1 Main Wire Harness - Schematic.....	41

1.0 Upper Body

2020 Frontier 6x6 Parts Manual



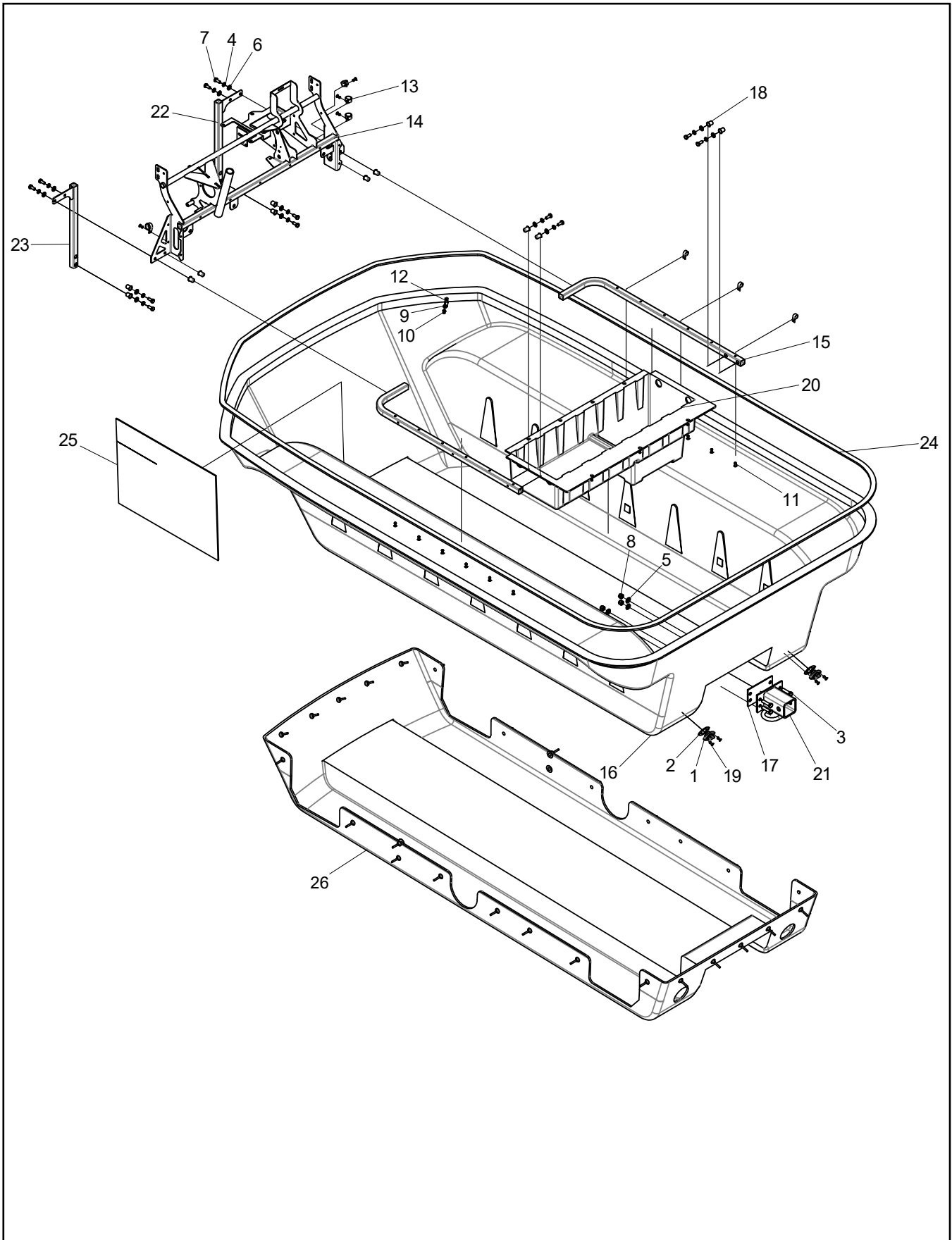
Ref.	Qty.	Part #	Description
2	4	103-06	HHCS 5/16-18x1.0 Gr5 Zn
3	2	103-34	HHCS 3/8-16x1.25 Gr5 Zn
4	4	103-38	HHCS 5/16-18x1.25 Gr5 BNZ
5	2	108-03	Lockwasher 1/4 Split Ring Zn
6	2	108-08	Washer .28x.62x.07 Zn
7	4	108-15	Washer .42x.81x.05 Zn
8	8	108-24	Washer .34x.70x.06 Zn
9	2	112-90	HHCS 1/4-20x1.5" Gr5 Zn
10	8	112-115	Locknut, Nylon M6x1 Zn
11	4	117-03	Nut, Fin Hex 5/16-18 Zn
12	4	117-127	Locknut, Nylon 5/16-18 ZP
13	2	117-128	Locknut, Nylon 3/8-16 ZP
14	95	120-04	Washer .19x.50x.08 Zn
15	91	120-09	Rivet - 3/16 x 1.0 Black
16	8	120-11	Rivet, 5/32 x .157-.472
17	60	120-13	Rivet - 3/16 x 3/4 Black
18	2	200-0003	Hinge, Barrel - Removeable
19	8	200-0007-025	FHCS, M6x1.0x25 Gr10.9 BNZ
20	1	300-0019	Wldt, Hood Frame
21	1	601-05	Bumper, Vinyl - 6x6
22	2	602-56	Latch, Hood - Soft Draw
25	31	10092A004	Washer, Finishing - #10
26	1	10217C	Panel, Grille
27	1	10354C	Wldt, Intake Screen
28	1	10542C	Wldt, Logo Plate
29	1	400-0040	Shield, Upper Heat
30	3	300-0239	Bracket, Heat Shield
31	5	120-14	Rivet - 3/16 x 5/8 Black
32	1	700-0057	Wldt, Grab Handle - Right
33	1	700-0056	Wldt, Grab Handle - Left
34	1	300-0281	Bracket, Low Beam - Left
35	1	300-0282	Bracket, Low Beam - Right
45	2	700-0070	Handrail Wldt, Front
46	4	108-105	Lockwasher, 1/4 Split, Blk Zn
47	4	112-04	HHCS 1/4-20x3/4 Gr5 Zn
48	4	117-53	Nut, Jack 1/4-20 8L-JNS Zn
49	1	700-0074	Bezel, Head Light - Left
50	1	700-0075	Bezel, Head Light - Right
51	2	700-0234	Cup Holder Insert - Large
52	1	300-0257	Wldt, Exhaust Screen - Kohler
53	1	700-0000	Upper Body, 6x6 - Specify Colour: Blk, Buc, Org, Tun
54	1	700-0055	Panel, Hood - Specify Colour: Blk, Buc, Org, Tun



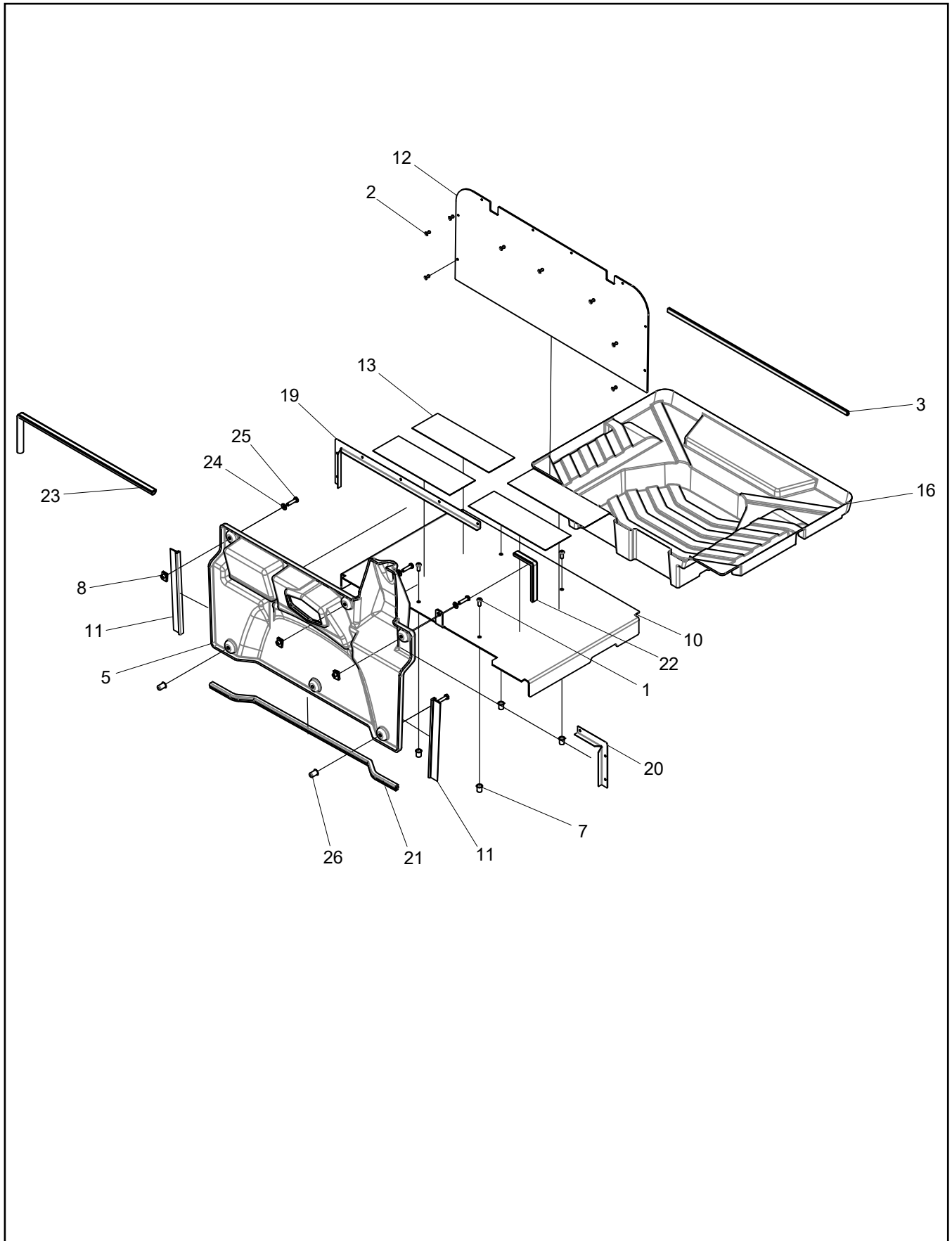
Ref.	Qty.	Part #	Description
4	4	108-24	Washer .34x.70x.06 Zn
5	4	117-21	Locknut, Td 5/16-18 Bnz
6	1	300-0000	Chassis, 6x6
9	1	10691C	Wldt, Seat Frame
10	1	300-0074	Wldt, Winch Hoop
11	4	103-06	HHCS 5/16-18x1.0 Gr5 Zn
12	4	108-12	Washer .34x1.00x.06 Zn
13	4	108-05	Lockwasher 5/16 Split-Ring Bnz

3.0 Lower Body

2020 Frontier 6x6 Parts Manual

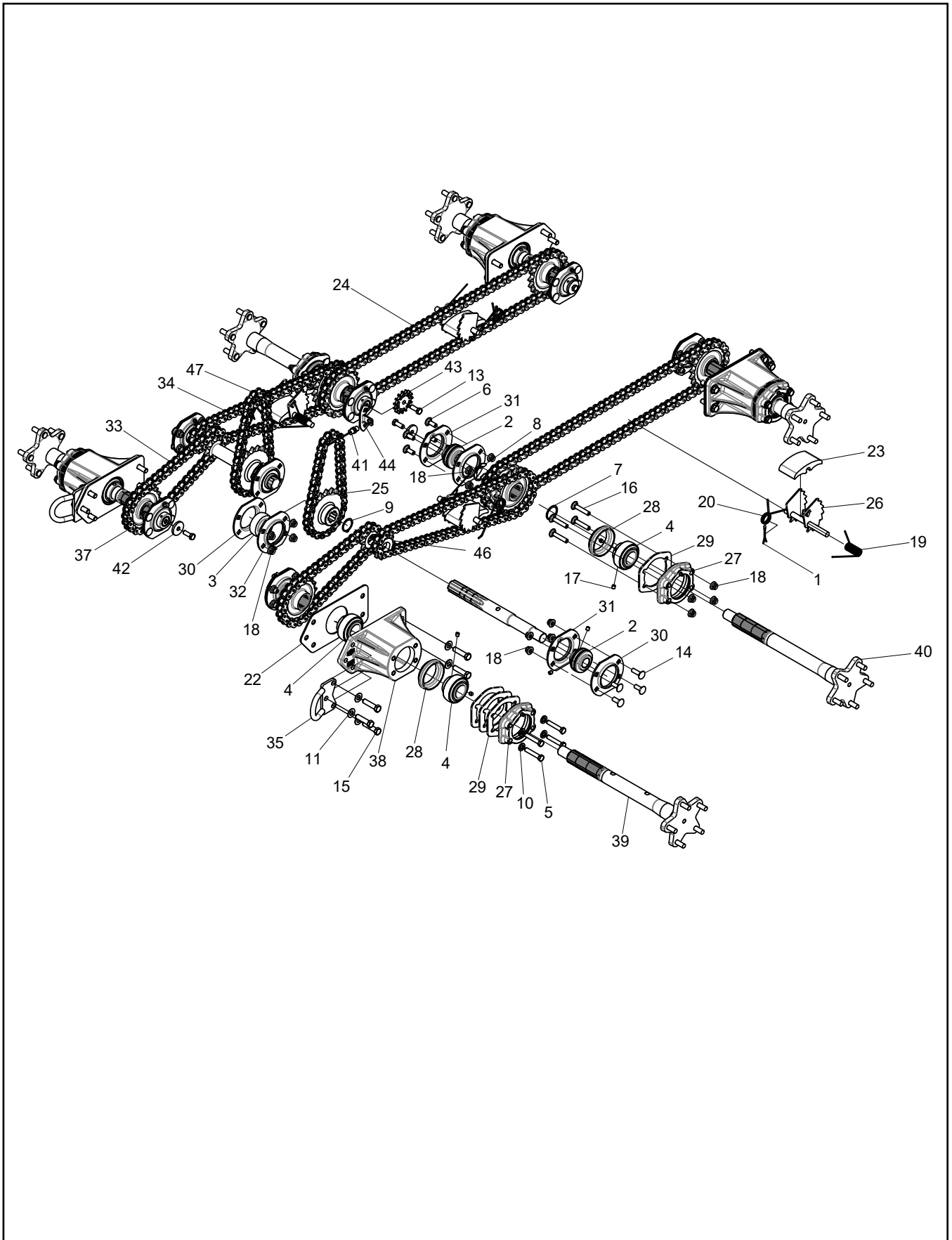


Ref.	Qty.	Part #	Description
1	2	100-107	Plug, Drain-Flanged
2	2	100-114	Gasket, Drain Plug
3	4	103-61	HHCS 3/8-24x1.5 Gr5 Zn
4	12	108-05	Lockwasher 5/16 Split-Ring Bnz
5	4	108-15	Washer .42x.81x.05 Zn
6	12	108-24	Washer .34x.70x.06 Zn
7	12	112-01	HHCS 5/16-18x3/4 Gr5 Zn
8	4	117-24	Locknut, Nylon 3/8-24 Zn
9	1	120-04	Washer .19x.50x.08 Zn
10	8	120-09	Rivet - 3/16 x 1.0 -
11	16	120-13	Rivet - 3/16 x 3/4 Black
12	4	126-93	Clamp, Nylon Wire - 1/2" ID
13	4	127-287	Clamp, Nylon, 3/4 ID
14	1	300-0003	Wldt, Dash Support
15	2	300-0063	Tube, Upper Hoop - 6x6
16	1	700-0387	Body, Lower - 6x6
17	1	616-20	Gasket, Rear Hitch
18	12	10055A001	Insert Nut, 5/16-18 UNC
19	4	10081A001	Rivet, 3/16 x 0.376 - 0.500 AL
20	1	10586C	Under Seat Storage Box
21	1	300-0079	Hitch, Receiver
22	1	300-0216	Wldt, Lower Dash Support - Right
23	1	300-0208	Wldt, Lower Dash Support - Left
24	1	200-0001-271	PVC Foam Tape, 3/4" x 1/4" x 271"
25	1	10257C	Insulation, Lower Body
26	1	663-12	Skidplate, 6x6 & Hardware



Ref.	Qty.	Part #	Description
1	4	112-276	BHCS, 5/16-18 x0.75
2	8	120-13	Rivet - 3/16 x 3/4 Black
3	1	601-09	Trim, Vinyl - 28"
5	1	700-0003	Panel, Firewall
7	4	10055A001	Insert Nut, 5/16-18 UNC
8	3	10056A006	Unut, 5/16-18 x .025-.150 PH
10	1	10200C	Plate, Floor - Front
11	2	10304C011	Flap Seal 90 Degree - 10.75"
12	1	10315C	Fuel Tank Cover
13	4	10321C	Grip Tape 12"
16	1	700-0053	Floor Pan, Rear Frontier - 6x6
19	1	700-0050	Trim, Firewall - Right
20	1	700-0064	Trim, Firewall - Left
21	1	200-0025-030	Seal, 90 Deg Bulb - 0.43 Dia x 30
22	1	849-176-008	Weatherseal-D Strip W/Adh Back x 8"
23	1	849-176-026	Weatherseal-D Strip W/Adh Back x 26"
24	5	108-24	Washer .34x.70x.06 Zn
25	5	103-38	HHCS 5/16-18x1.25 Gr5 Zn
26	2	10055A011	Insert, 5/16-18x0.150-0.312 Zn

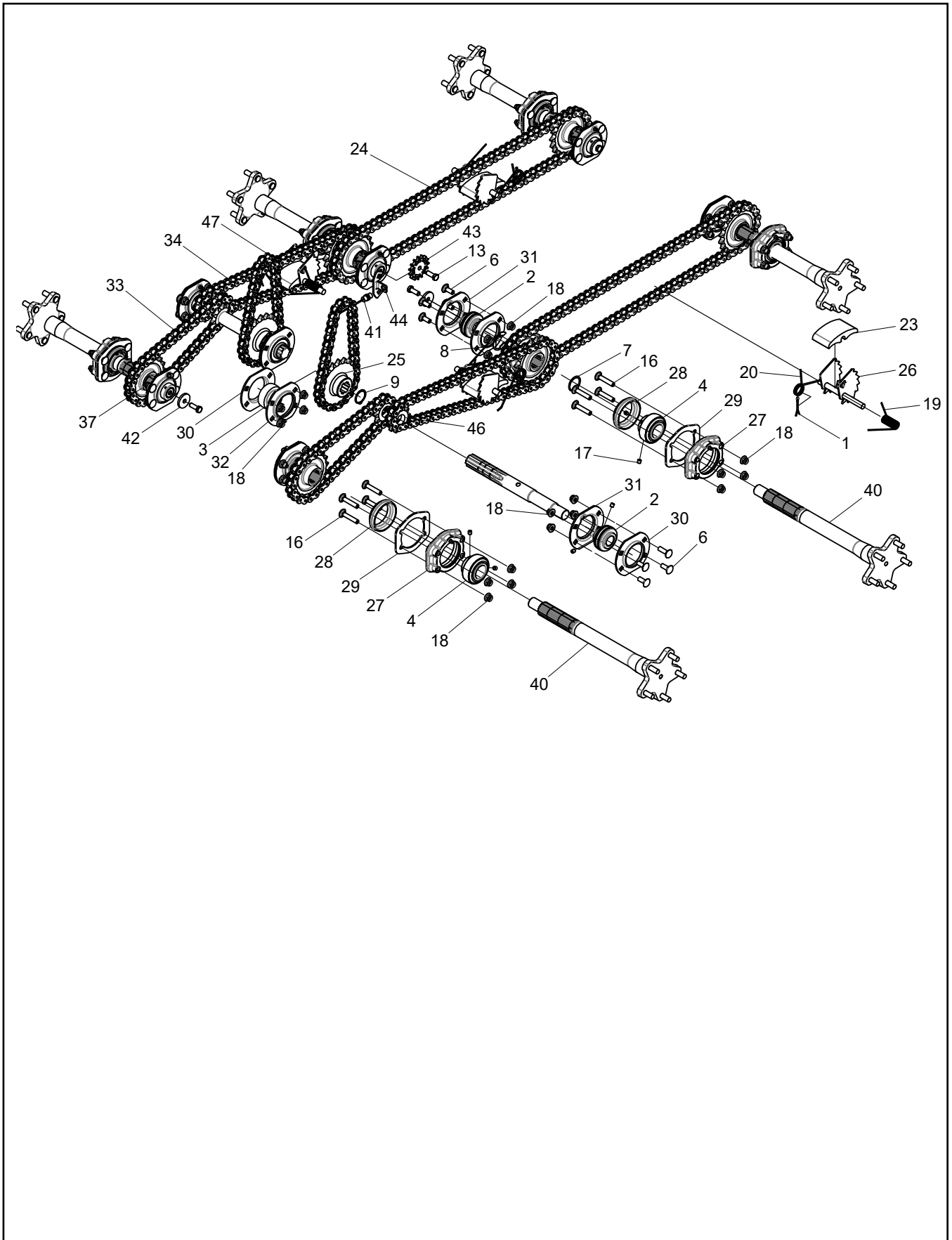
5.0 Axle & Driveline With Extensions 2020 Frontier 6x6 Parts Manual



2020 Frontier 6x6 Parts Manual 5.0 Axle & Driveline With Extensions

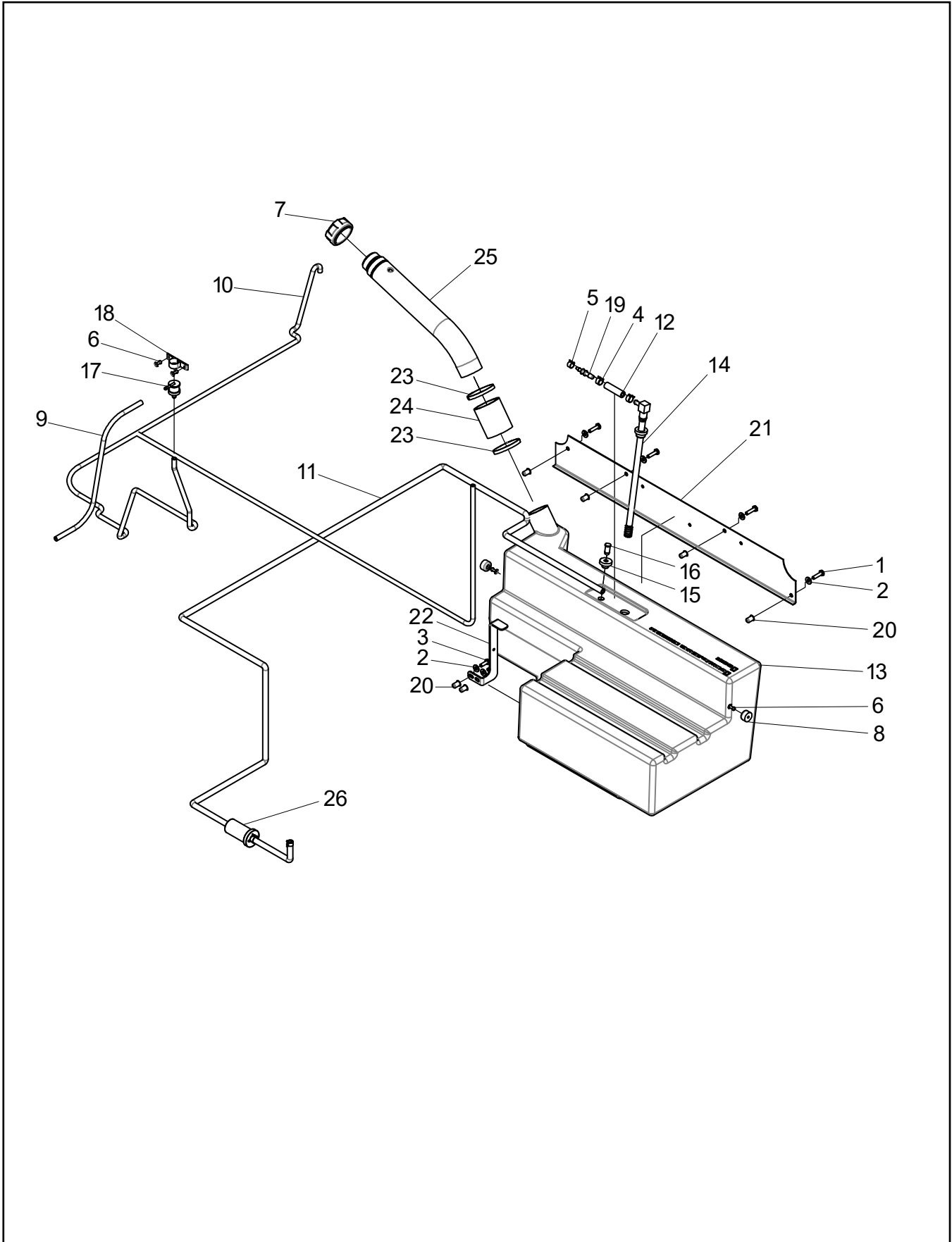
Ref.	Qty.	Part #	Description
1	4	100-01	Pin, Cotter 1/8x1.50 Zn
2	8	101-41	Bearing, Ball- 1.0
3	2	101-96	Bearing,Ball-1.25
4	10	200-0062-001	Bearing, Ball -1.375 x 72mm x 43 mm
5	16	103-68	HHCS 3/8-16x2.0 Gr5 Zn
6	29	103-88	C/Bolt 3/8-16x1.0 Gr5 Zn
7	4	106-15	Retaining Ring SH-0137-PA
8	4	106-34	Retaining Ring, E-Style - 1.375"
9	4	107-10	Retaining Ring SH-0125-PA
10	16	108-27	Lockwasher 7/16 Split-Ring Zn
11	20	108-34	Washer .47x.94x.06 Zn
13	6	112-31	HHCS 3/8-16x1.0 2B Gr8 Zn
14	4	112-61	C/Bolt 3/8-16x1.25 Gr5 Zn
15	20	112-181	HHCS 7/16-20x1.75 Gr5 Zn
16	8	112-187	C/Bolt 3/8-16x2.0 Gr5 Zn
17	16	112-200	SHSS 5/16-24x5/16 Flat PT
18	49	117-118	Locknut, Nylon 3/8-16, Flanged
19	4	127-64	Spring, Torsion - .76 x 1.9
20	4	127-65	Spring, Torsion - 1.16 x 0.35
22	4	606-25	Gasket, Bearing Extension
23	4	606-44	Slider Block - UHMW
24	2	606-47	Chain, RC60-1 x 96P
25	2	606-81	Sprocket, Idler S60 x 20T
26	4	606-82	Tensioner Asy, Chain - Course
27	6	606-88	Flange Asy, Outer Bearing
28	6	606-89	Carrier, Axle Bearing
29	14	606-90	Gasket, Flange -72 mm BRG
30	10	606-91	Flange, 4-Hole Hd
31	6	606-92	Flange, Greaseable - 4-Hole Hd
32	4	606-93	Flange, Greaseable - 90 Deg Hd
33	2	606-45	Chain, RC60-1 x 42P
34	2	606-46	Chain, RC60-1 x 64P
35	2	642-47	Tie Down Bracket
37	8	805-143	Sprocket, S60x19T-16/32 INT
38	4	810-112	Extension Asy, Bearing W/Nuts
39	4	810-122	Asm, Axle Forged - FR/RR
40	2	810-123	Asm, Axle Forged - MID
41	1	10011B	Sensor, Speed
42	5	200-0005	Washer, .39 x 1.45 x .188
43	1	500-0021	Disc, Wheel Speed Sensor - 15T
44	1	500-0022	Bracket, Wheel Speed Sensor
46	2	606-78	Shaft, Idler - 10T #60
47	2	200-0024	Chain, RC60 1x36P - High Strength

5.1 Axle & Driveline Without Extensions 2020 Frontier 6x6 Parts Manual

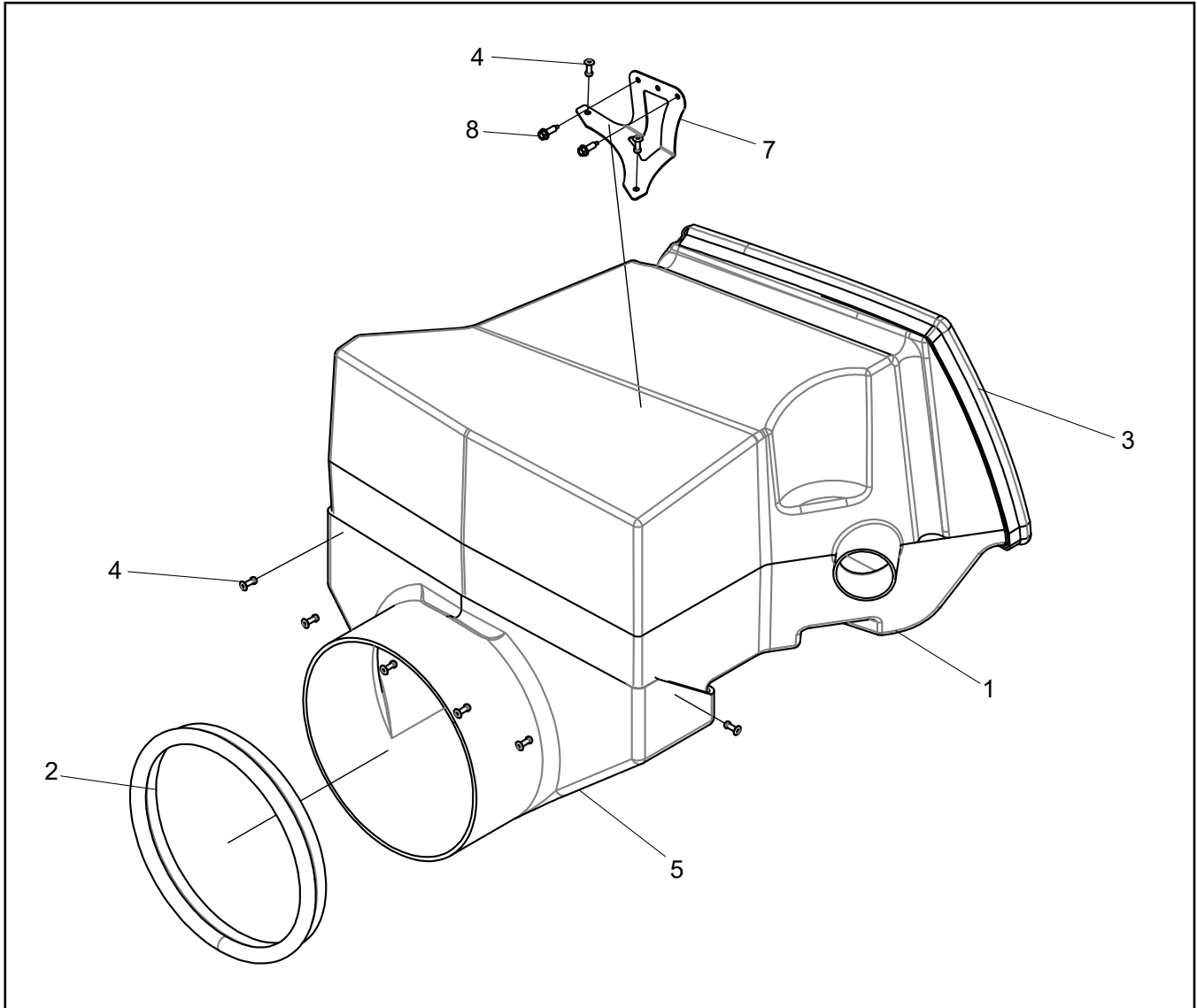


2020 Frontier 6x6 Parts Manual 5.1 Axle & Driveline Without Extensions

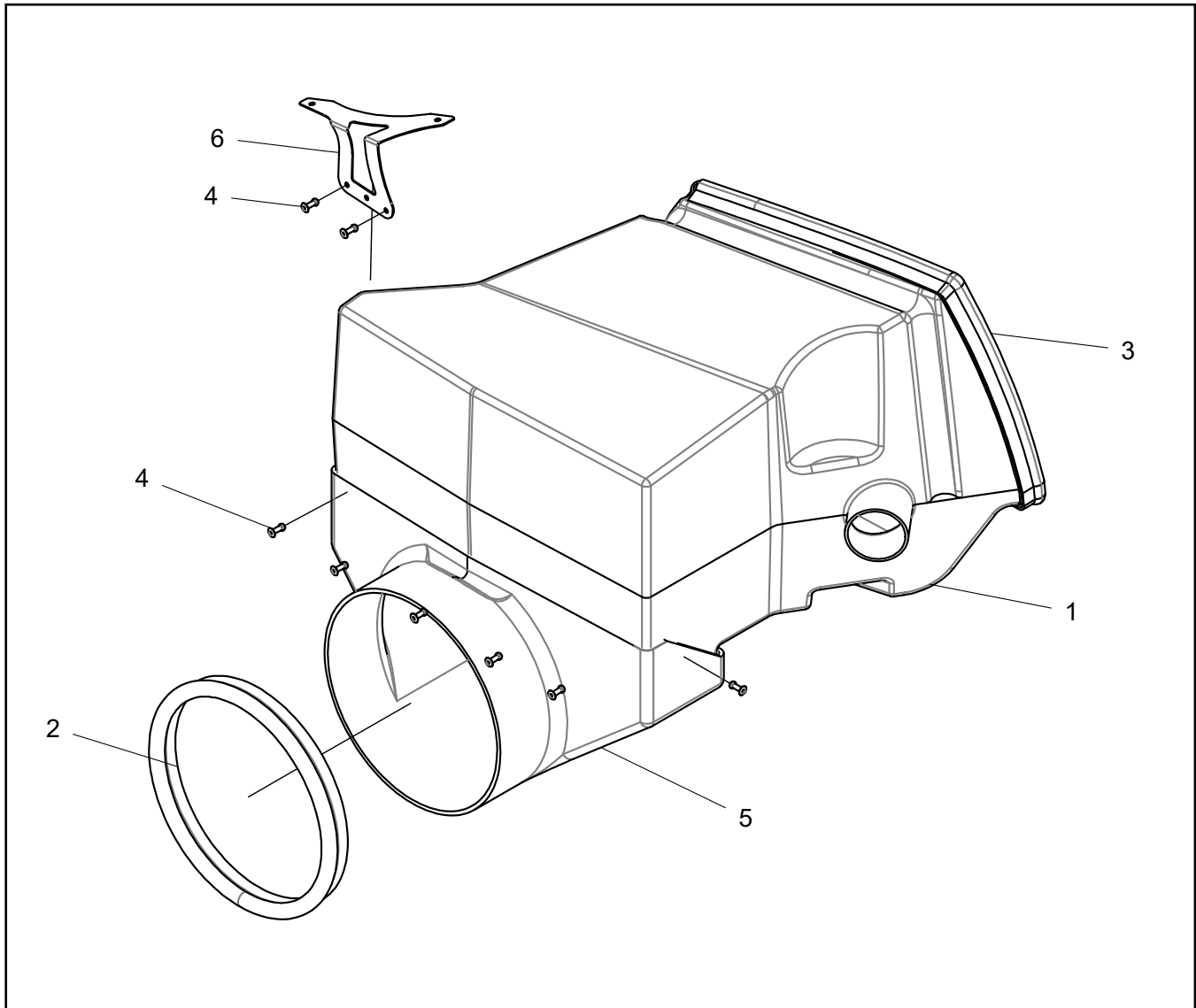
Ref.	Qty.	Part #	Description
1	4	100-01	Pin, Cotter 1/8x1.50 Zn
2	8	101-41	Bearing, Ball- 1.0
3	2	101-96	Bearing,Ball-1.25
4	6	200-0062-001	Bearing, Ball -1.375 x 72mm x 43mm
6	29	103-88	C/Bolt 3/8-16x1.0 Gr5 Zn
7	4	106-15	Retaining Ring SH-0137-PA
8	4	106-34	Retaining Ring, E-Style - 1.375"
9	4	107-10	Retaining Ring SH-0125-PA
13	6	112-31	HHCS 3/8-16x1.0 2B Gr8 Zn
14	4	112-61	C/Bolt 3/8-16x1.25 Gr5 Zn
16	24	112-187	C/Bolt 3/8-16x2.0 Gr5 Zn
17	16	112-200	SHSS 5/16-24x5/16 Flat PT
18	65	117-118	Locknut, Nylon 3/8-16, Flanged
19	4	127-64	Spring, Torsion - .76 x 1.9
20	4	127-65	Spring, Torsion - 1.16 x 0.35
23	4	606-44	Slider Block - UHMW
24	2	606-47	Chain, RC60-1 x 96P
25	2	606-81	Sprocket, Idler S60 x 20T
26	4	606-82	Tensioner Asy, Chain - Course
27	6	606-88	Flange Asy, Outer Bearing
28	6	606-89	Carrier, Axle Bearing
29	14	606-90	Gasket, Flange -72 mm BRG
30	10	606-91	Flange, 4-Hole Hd
31	6	606-92	Flange, Greaseable - 4-Hole Hd
32	4	606-93	Flange, Greaseable - 90 Deg Hd
33	2	606-45	Chain, RC60-1 x 42P
34	2	606-46	Chain, RC60-1 x 64P
37	8	805-143	Sprocket, S60x19T-16/32 INT
40	6	810-123	Asm, Axle Forged - MID
41	1	10011B	Sensor, Speed
42	5	200-0005	Washer, .39 x 1.45 x .188
43	1	500-0021	Disc, Wheel Speed Sensor - 15T
44	1	500-0022	Bracket, Wheel Speed Sensor
46	2	606-78	Shaft, Idler - 10T #60
47	2	200-0024	Chain, RC60 1x36P - High Strength



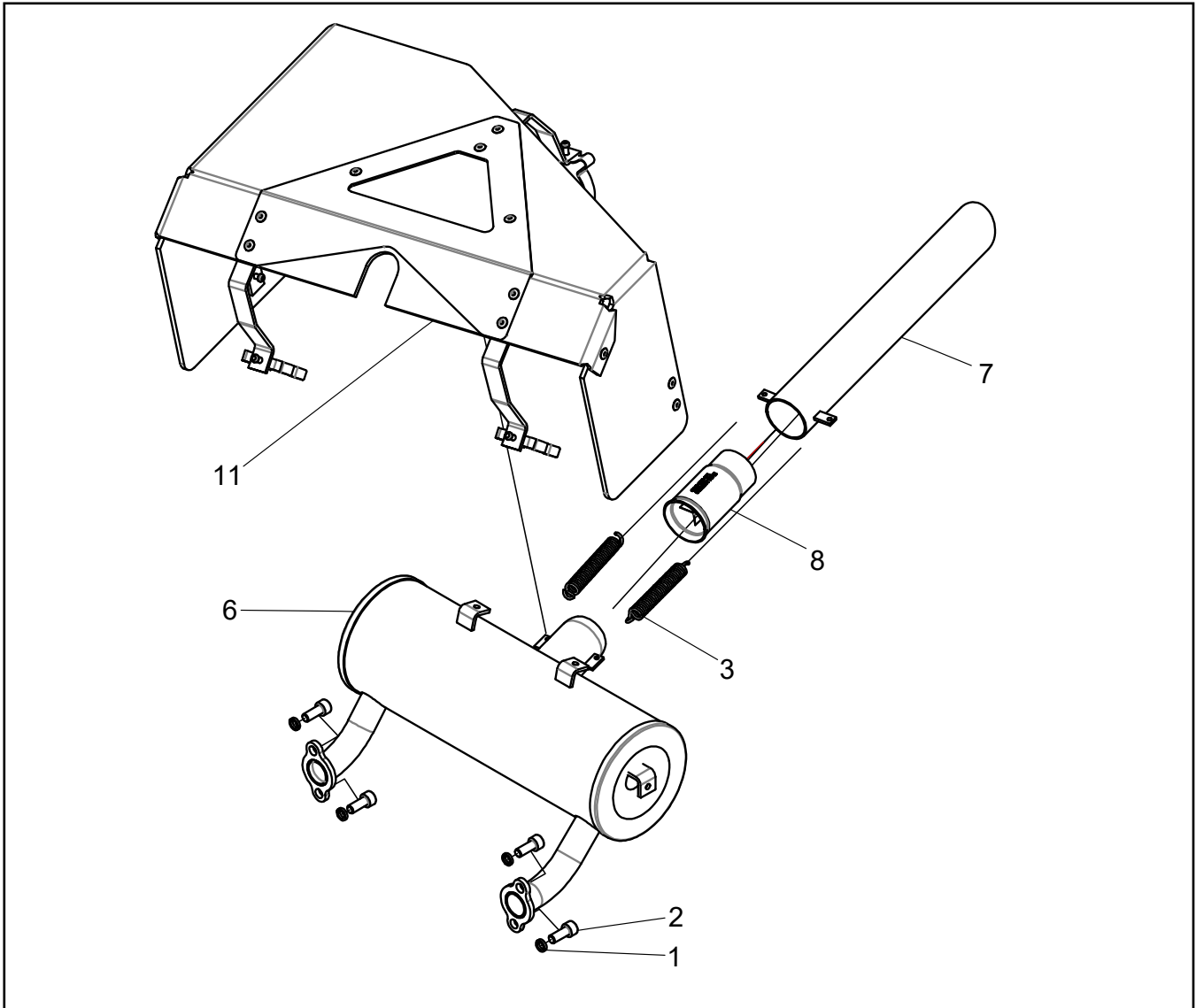
Ref.	Qty.	Part #	Description
1	4	103-08	HHCS 1/4-20x1.0 Gr5 Zn
2	6	108-08	Washer .28x.62x.07 Zn
3	2	112-04	HHCS 1/4-20x3/4 Gr5 Zn
4	2	112-78	Clamp, Hose 9/16" Black
5	4	112-79	Clamp, Hose 1/2" Black
6	4	120-13	Rivet - 3/16 x 3/4 Black
7	1	126-100	Fuel Cap, Tethered
8	2	126-102	Bumper, Recessed Hole
9	1	127-160-20	Hose, 1/4ID x 3/8OD - 20" Long
10	1	127-160-76	Tubing, 1/4 ID Clear Plastic 76"
11	1	200-0064-95	Hose, Fuel - 1/4" ID - 95"
12	1	608-69-04	Hose, Fuel - 5/16" ID, Carb 4"
13	1	608-120	Tank, Fuel Low Permeation
14	1	608-127	Pick-Up, Fuel 5/16, 105 Mesh
15	1	608-136	Grommet, Fuel Return
16	1	608-137	Plug, Push In
17	1	609-47	Valve, Rollover
18	1	609-50	Clamp, Rollover Valve
19	1	808-133	Reducer, Barbed - 5/16 to 1/4
20	6	10055A003	Insert Nut, 1/4-20 UNC
21	1	10206C	Plate, Fuel Rail
22	1	10320C	Brkt, Tank Hold Down
23	2	10639C	Clamp, 1-Ear 58.8-62 mm
24	1	10251C	Hose, Fuel Fill
25	1	10253C	Wldt, Fuel Fill Neck
26	1	400-0001	Fuel Filter



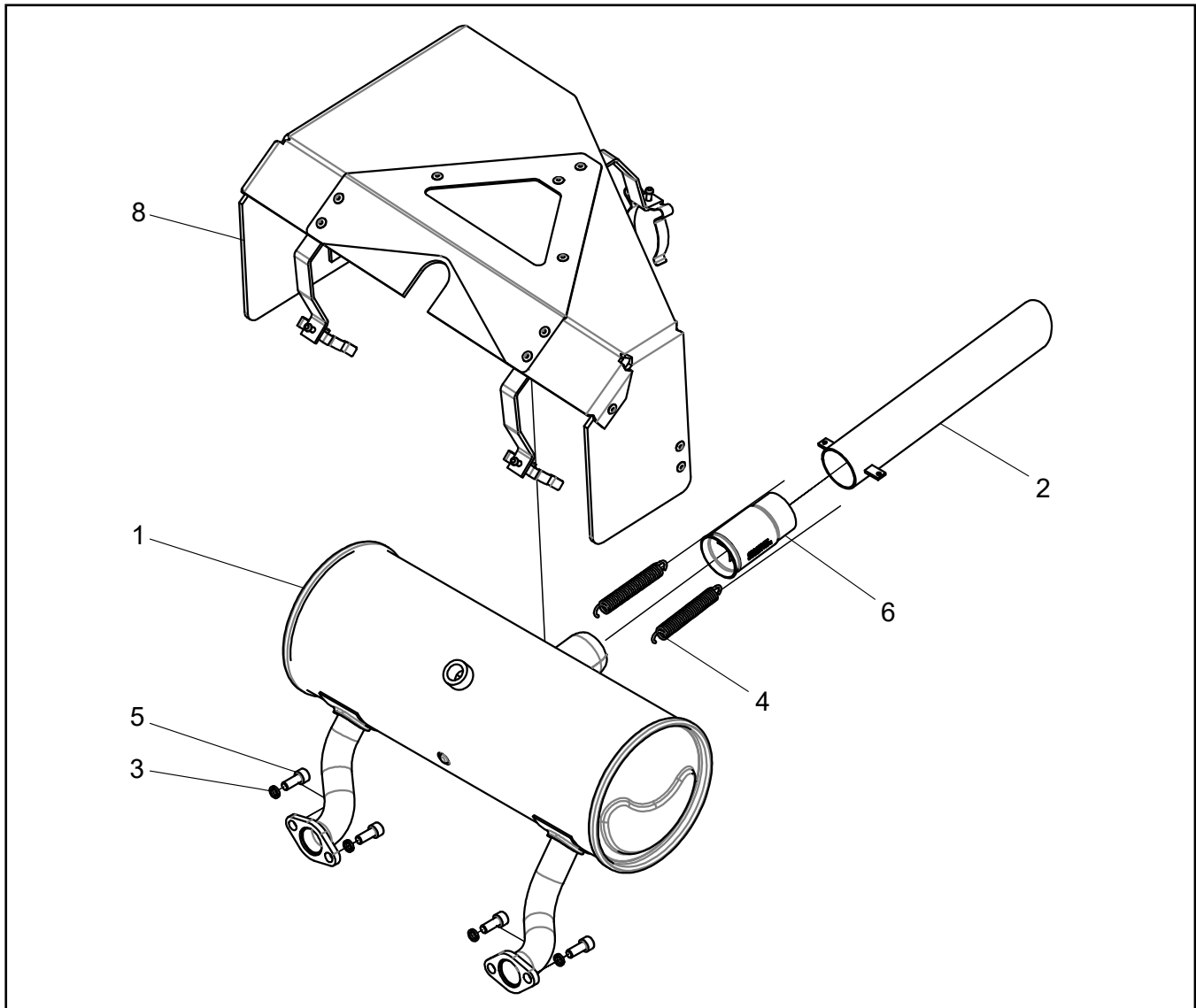
Ref.	Qty.	Part #	Description
1	1	400-0032	Duct, Upper Intake - Frontier
2	1	807-77-31	Seal, Bulb - 31"
3	1	807-77-40	Seal, Bulb - 40"
4	14	120-14	Rivet - 3/16 x 5/8 Black
5	1	400-0027	Duct, Lower Intake - 6x6 B&S
7	1	300-0183	Bracket, Air Duct Support
8	2	112-102	Screw, Self Drill 12-14 x 3/4"



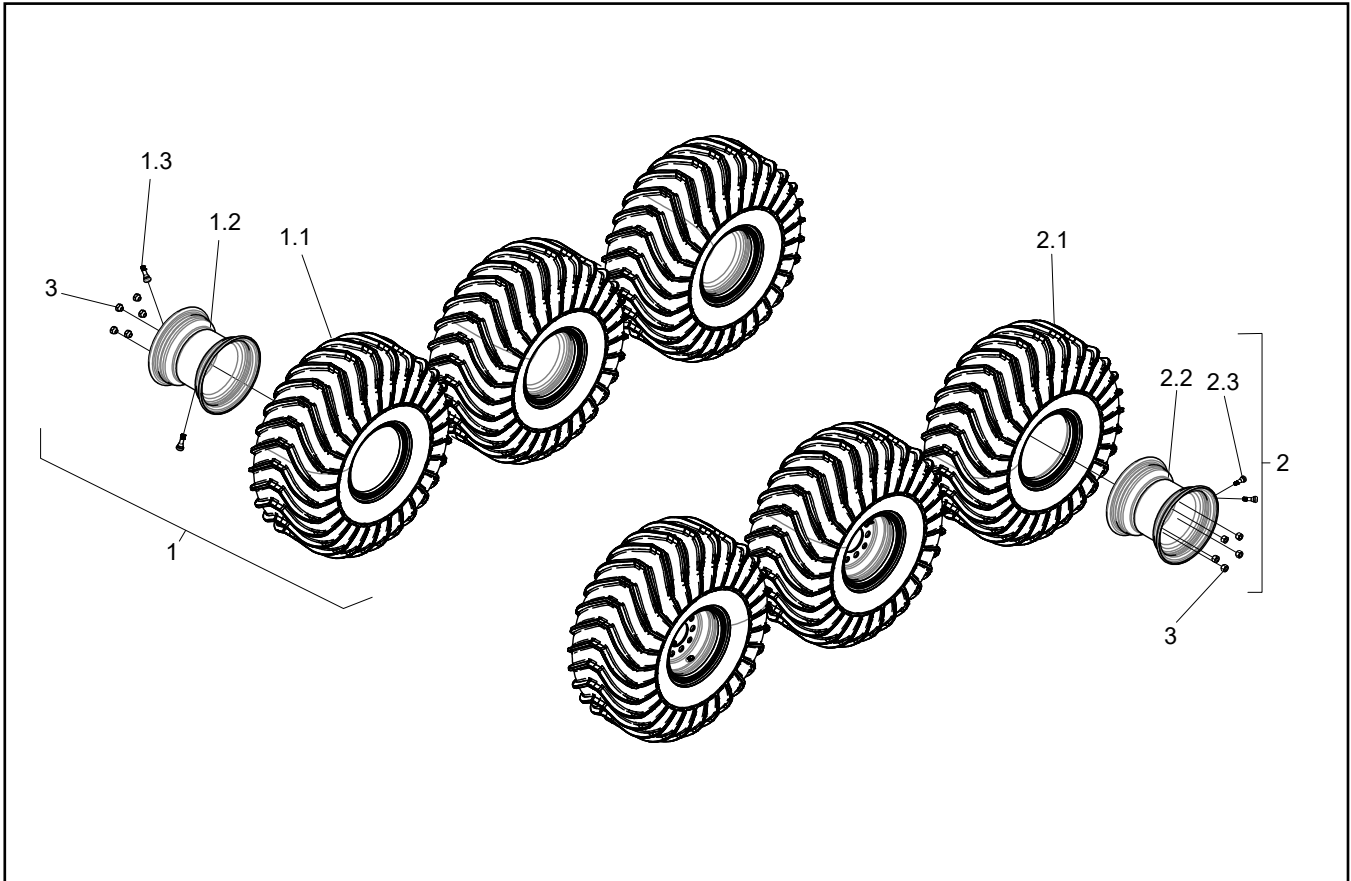
Ref.	Qty.	Part #	Description
1	1	400-0032	Duct, Upper Intake - Frontier
2	1	807-77-31	Seal, Bulb - 31"
3	1	807-77-40	Seal, Bulb - 40"
4	14	120-14	Rivet - 3/16 x 5/8 Black
5	1	400-0026	Duct, Lower Intake - 6x6 Kohler
6	1	300-0183	Bracket, Air Duct Support



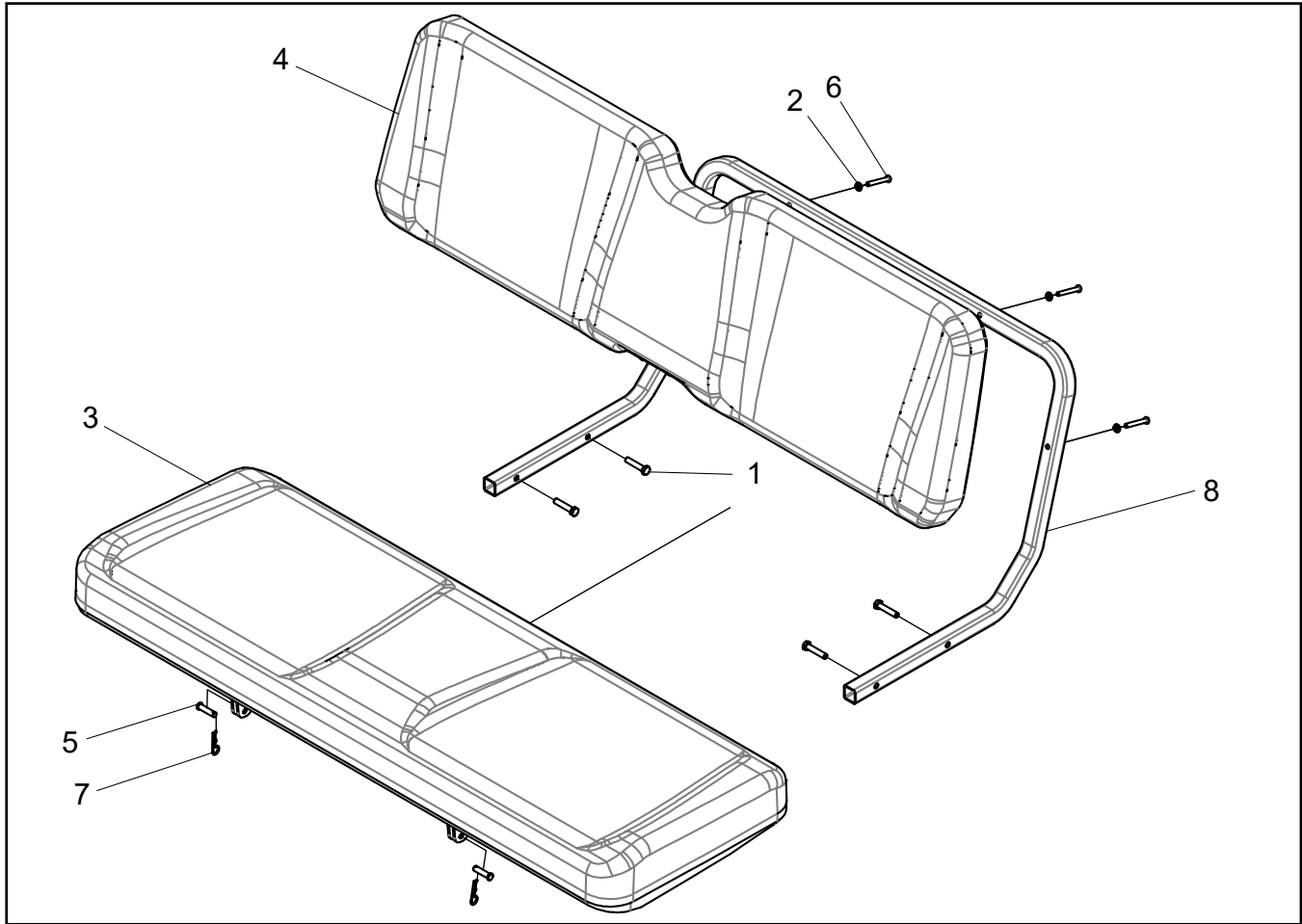
Ref.	Qty.	Part #	Description
1	4	108-02	Lockwasher 5/16 Hi-Collar Bare
2	4	112-30	SHCS M8x1,25x20mm Zn
3	2	127-187	Spring, Ext 17/32 x 3.75
6	1	807-140	Muffler Asm, 14/18HP Frontier
7	1	400-0035	Wldt, Tail Pipe
8	1	400-0019	Spark Arrestor Assembly
11	1	400-0038	Shield Asm, Muffler



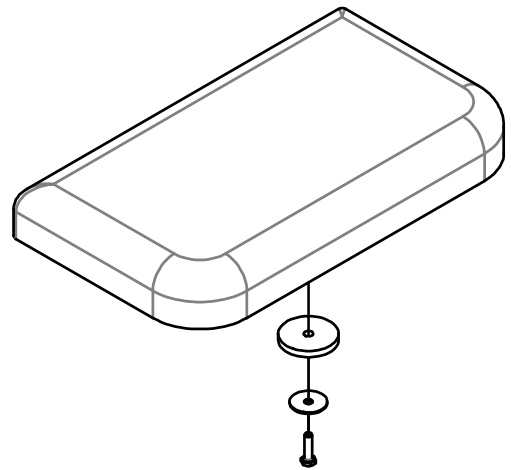
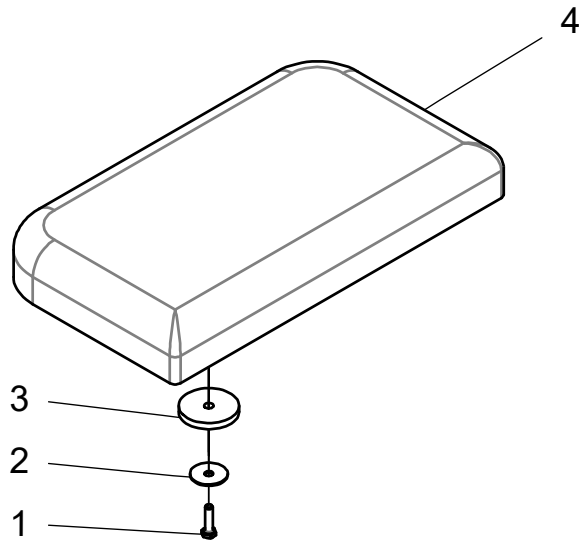
Ref.	Qty.	Part #	Description
1	1	607-212	Muffler, Kohler Aegis - EES
2	1	400-0009	Wldt, Tail Pipe
3	4	108-02	Lockwasher 5/16 Hi-Collar Bare
4	2	127-187	Spring, Ext 17/32 x 3.75
5	4	112-30	SHCS M8x1,25x20mm Zn
6	1	400-0019	Spark Arrestor Assembly
8	1	400-0038	Shield Asm, Muffler



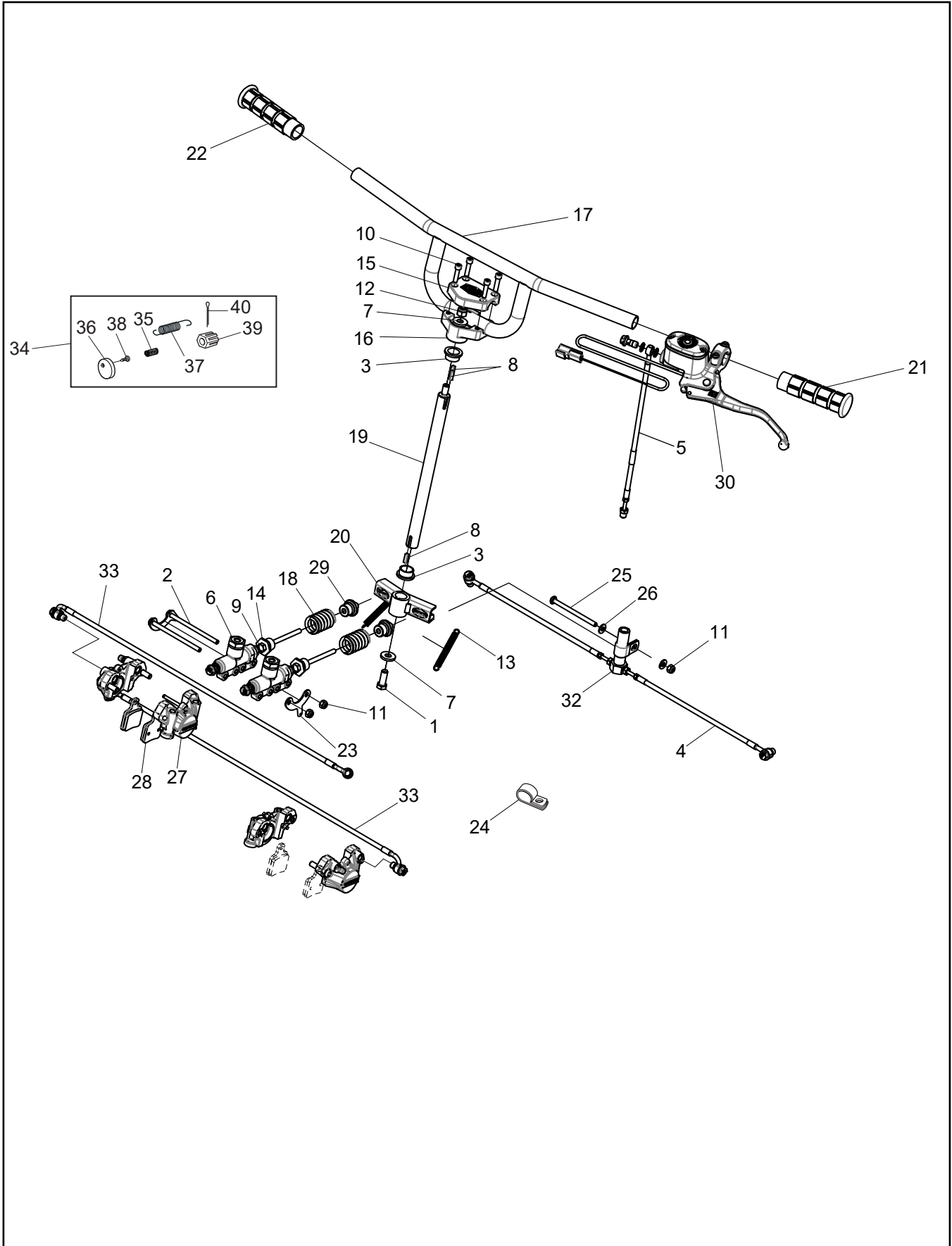
Ref.	Qty.	Part #	Description
1	3	10011CVRT	Wheel Asm, XT117 24x10-8 STL - Right
1.1	1	10002C	Tire, 24 x 10- 8 XT117
1.2	1	10005C	Rim, 8 x 7 Steel
1.3	2	125-26A	Valve, Tire - Unassembled
2	3	10011CVLT	Wheel Asm, XT117 24x10-8 STL - Left
2.1	1	10002C	Tire, 24 x 10- 8 XT117
2.2	1	10005C	Rim, 8 x 7 Steel
2.3	2	125-26A	Valve, Tire - Unassembled
3	30	117-35	Nut, Wheel 7/16-20 Zn



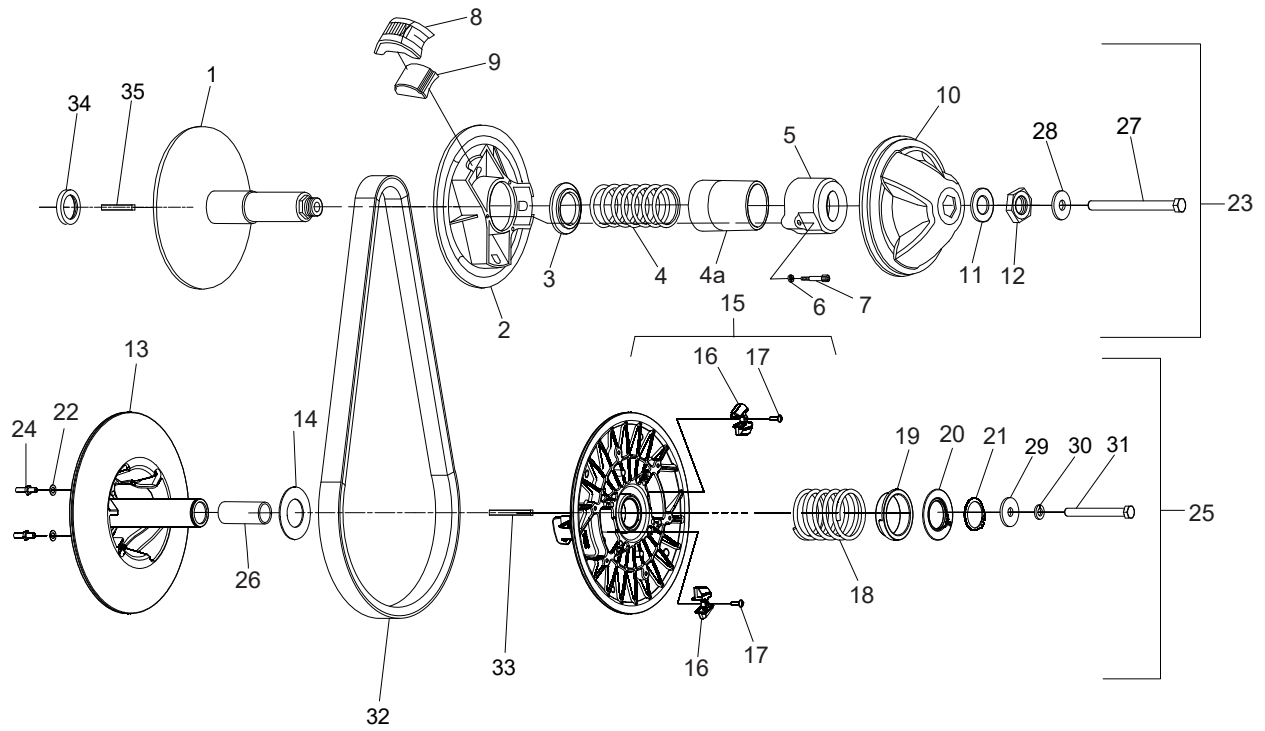
Ref.	Qty.	Part #	Description
1	4	103-57	HHCS 5/16-18x1.5 Gr5 BNZ
2	4	108-03	Lockwasher 1/4 Split Ring Zn
3	1	10339C	Seat, Bench - Formed
4	1	10340C	Seat, Backrest - Formed
5	2	10077A001	Pin, Clevis 5/16x1.25 Zn
6	4	10156A045	BHCS, M6x1.0x45 Gr8.8 BNZ
7	2	10171A002	Pin, Hairpin Ø0.093 1/4-5/16 Shaft ZP
8	1	10341C	Tube, Backrest Frame



Ref.	Qty.	Part #	Description
1	2	103-08	HHCS 1/4-20x1.0 Gr5 Zn
2	2	108-01	Washer, Fender 1/4 BS x 1.25OD
3	2	603-15	Washer, Plastic 5/16 Hole
4	2	700-0009	Seat Asm, Rear Side - 6x6

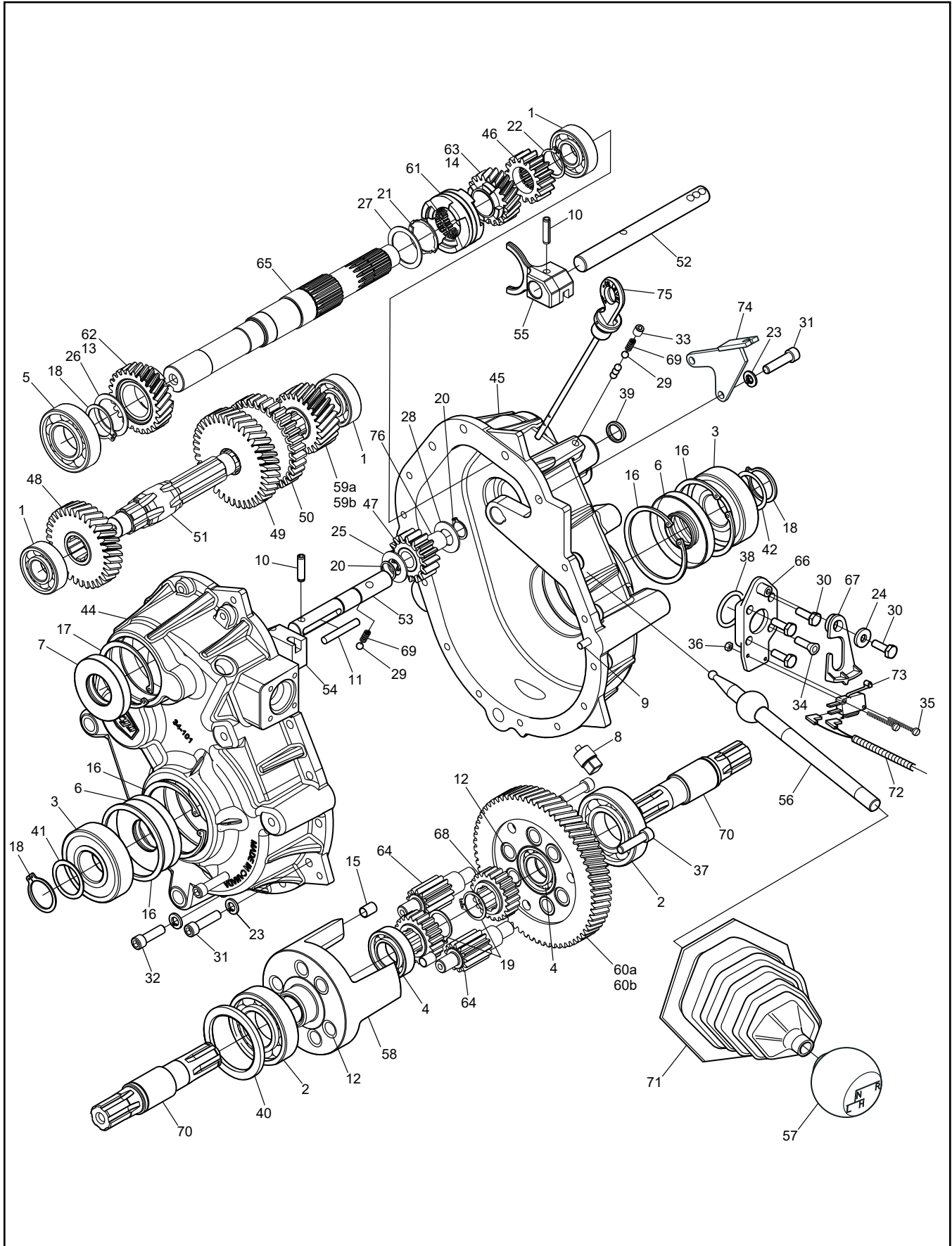


Ref.	Qty.	Part #	Description
1	1	103-17	HHCS 3/8-16x1.0 Gr5 Bnz
2	2	103-66	HHCS 1/4-20x4.0 Gr5 Zn
3	2	105-16	Bushing, Oilite - 3/4 x 1/2
4	2	10324C	Brake Line, Prop. Valve to RMCI
5	1	10325C	Brake Line, HBMC to Prop Valve
6	2	10373C	RMCI Assembly
7	2	108-47	Washer .39x.94x.13 Zn Di-Chro
8	3	110-17	Key, 3/16 x 3/16 x .625
9	2	10576C	Nut, Jam
10	4	112-47	SHCS 1/4-20x1.0 Zn
11	3	117-27	Locknut, Nylon 1/4-20 Zn
12	1	117-29	Locknut, Nylon 3/8-16 Bnz
13	2	127-194	Spring, Ext .360 x 3.0
14	2	10575C	Spring Perch
15	1	612-105RM	Clamp, Upper Handlebar-RM
16	1	612-106	Clamp, Lower Handlebar
17	1	612-107	Handlebar Asm
18	2	10371C	Steer Spring
19	1	10311C	Shaft, Steering
20	1	10379C	Steering Arm
21	1	10507C	Handle Bar Grip, Left
22	1	10508C	Handle Bar Grip, Right
23	2	300-0256	Bracket, Spring Retainer
24	1	200-0038-001	Clamp, P - Steel/Vinyl
25	1	103-111	HHCS 1/4-20x3.5 Zn
26	2	108-08	Washer .28x.62x.07 Zn
27	2	10375C	Steer Brake Caliper
28	2	10374C	Brake Pads & Pim - Steer Brakes
29	2	10372C	Spring Bullnose
30	1	10326C	Handle Bar Brake Lever/ Master Cylinder
31	1	10000B	Switch, Left Hand Controls (not shown)
32	1	10322C	Proportioning Valve
33	2	10323C	Brakeline RMCI To Steer Caliper
34	1	850-98	Kit, Service, Parking Brake (includes Ref. 35 - 40, not sold separately)
35	1		Cam Tension Spring (compression)
36	1		Left & Right Brake Pads
37	1		Cam Arm Spring (tension)
38	1		Brake Pad Retaining Screw
39	1		Castle Nut
40	1		Cotter Pin



* Note: For High Elevation Operation (above 3000 ft) see Bulletin NP #5 regarding Clutch Weight Sets.

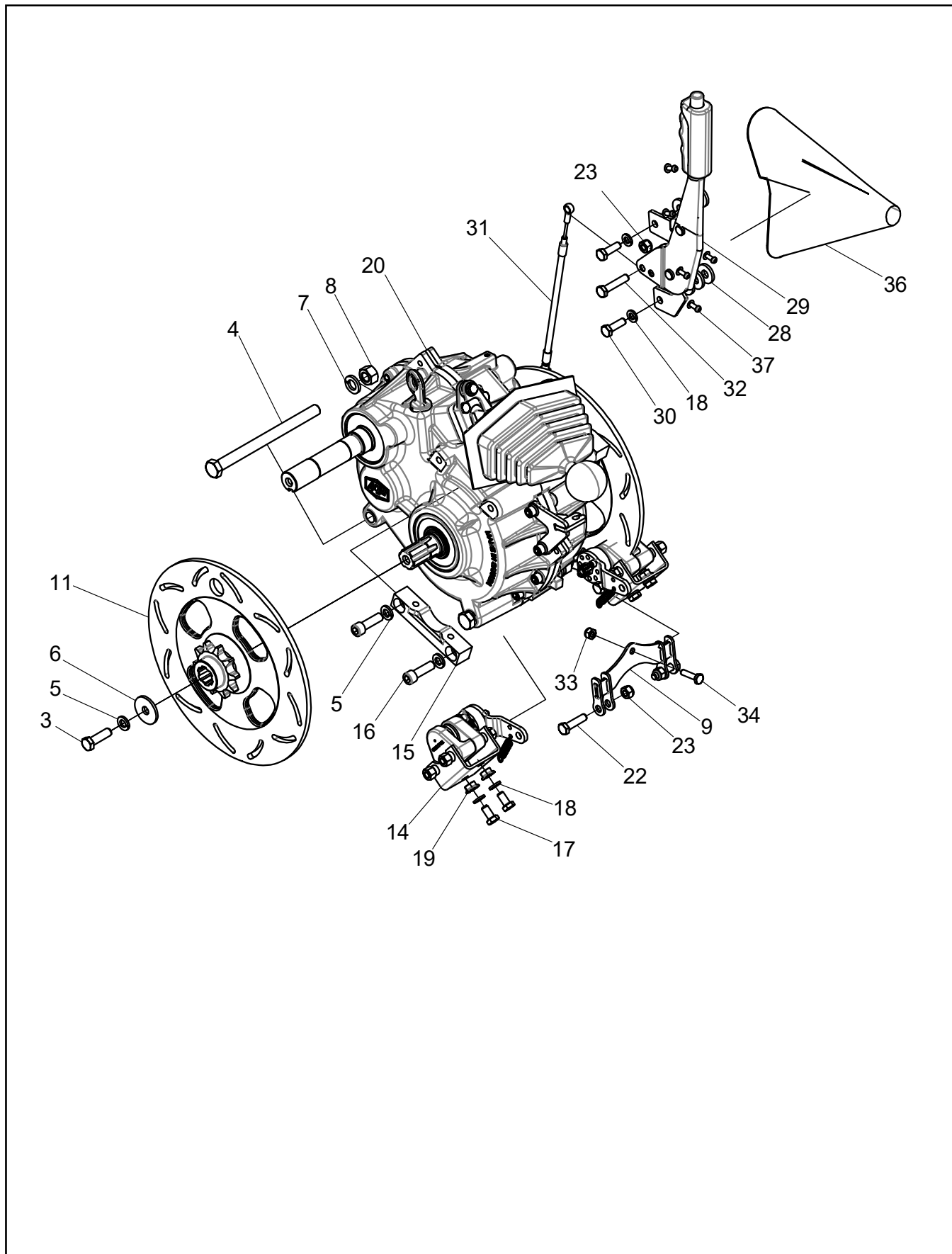
Ref.	Qty.	Part #	Description
1	1	0405-0138	Flange, Fixed
2	1	0410-0033	Flange, Sliding
3	1	0150-1014	Spring Guide Washer
4	1	1151-1114	Spring
4a	1	0450-3002	Guide, Spring
5	1	0440-0005	Spring Cover
6	3	0080-0167	Lockwasher
7	3	0080-0021	Screw, Cap
8	3	0130-3012	Block
9	3	0135-3061	Weight (230gr) - EFI Model
	3	0135-3065	Weight (275gr)
	1	127-208	Weight Set (3), 185g - High Elevation (*See Note)
	1	127-209	Weight Set (3), 220g - High Elevation (*See Note)
	1	127-210	Weight Set (3), 240g - High Elevation (*See Note)
10	1	0115-2061	Cap
11	1	0080-0804	Washer, Zn
12	1	V16J1	Nut
13	1	5905-0003	Flange, Fixed
14	1	0080-0164	Washer, Shim
15	1	5910-0002	Flange, Sliding
16	3	5930-3001	Cam Shoe
17	2	0080-0031	Screw
18	1	5951-1009	Spring
19	1	5950-3003	Spring Protector
20	1	5950-3002	Spring Support
21	1	0080-0216	Retaining Ring, Outside
22	2	0080-0167	Lockwasher
23	1	500-0005	Clutch, Driver - Briggs 18HP
	1	500-0006	Clutch, Driver - Kohler 23HP
24	2	0080-0035	Screw & Nut Ass'y
25	1	127-156	Clutch, Driven - Invance
26	1	5940-2001	Keyway Stopper
27	1	112-160	HHCS 7/16-20x5.0 Lg
28	1	108-58	Washer .156x.375x.047 Zn
29	1	108-46	Washer .40x1.37x.12 Hi-Carbon
30	1	108-06	Lockwasher 3/8 Split-Ring Bnz
31	1	112-164	HHCS 3/8-16x3.5 Gr5 Zn
32	1	127-159HD	Drive Belt - Hvy Duty
	or	127-159	Drive Belt
33	1	110-03	Key 1/4x3/16x2.375 RC46
34	1	108-84	Washer, Engine, Clutch
35	1	110-18	Key, 1/4 x 1/4 x 1 3/4 45RC



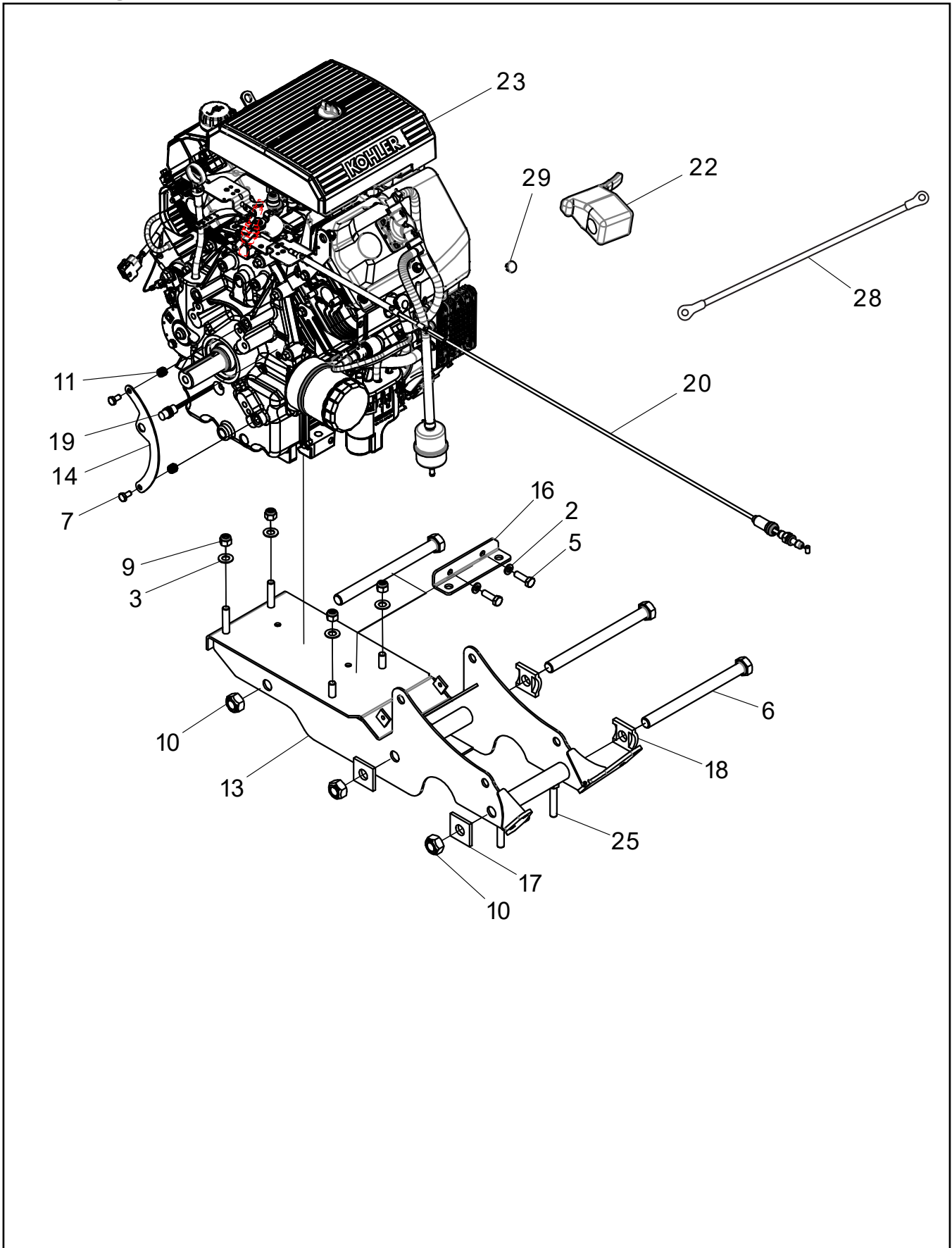
2020 Frontier 6x6 Parts Manual

13.0 Transmission

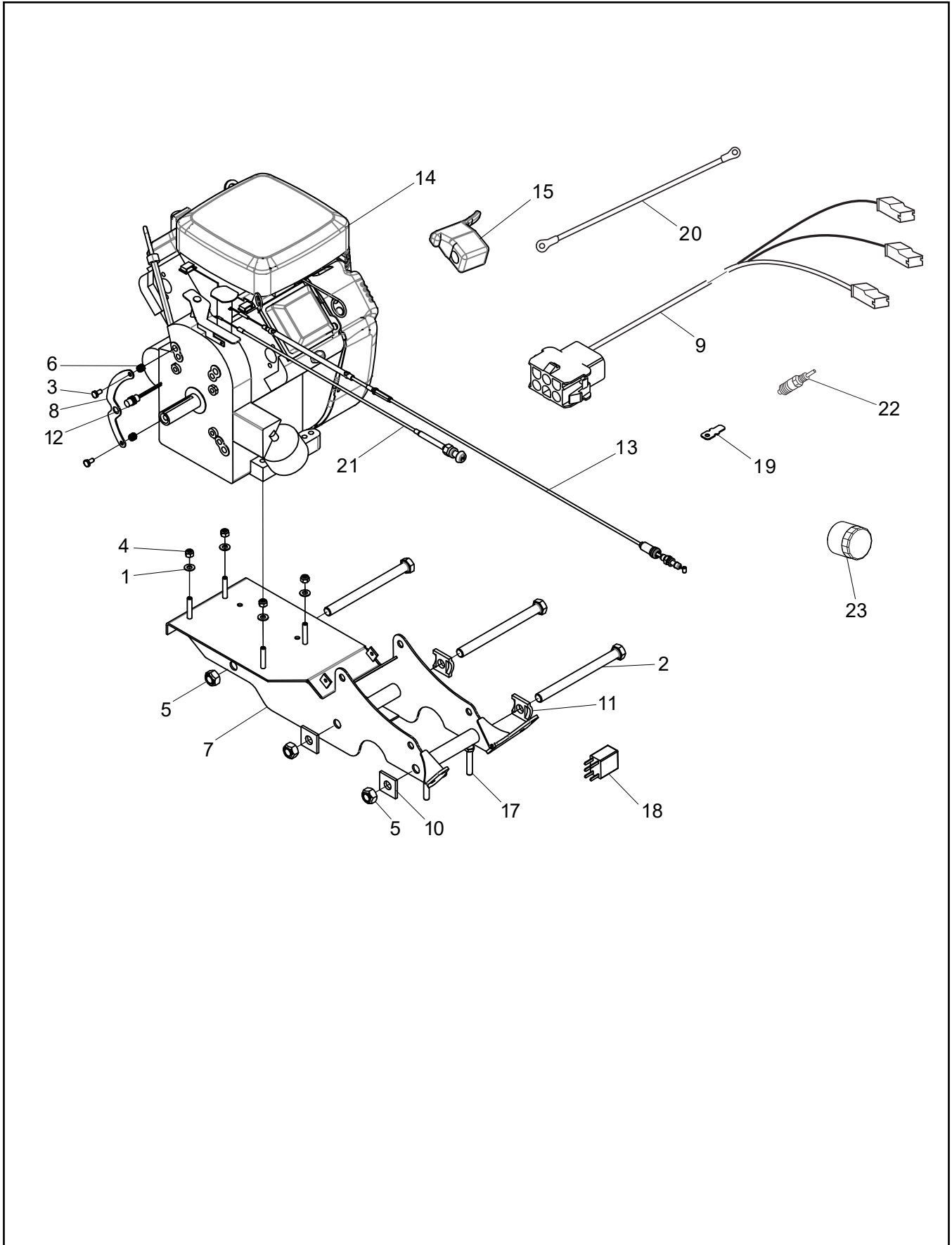
Ref.	Qty.	Part #	Description	Ref.	Qty.	Part #	Description
1	3	101-01	Bearing, Ball 6204Z-C3	40	1	114-01	Washer, Shim
2	2	101-03	Bearing, Ball 6207-C3	41	1	114-04	Washer, Shim 1.19x1.50x.04
3	2	101-05	Bearing, Sing Ball 6306L LU-C3/2A	42	1	114-05	Washer, Shim 1.19x1.50x.02
4	2	101-15	Bearing, Ball 6005-C3	43	1.1L	125-99	Transmission Oil (not shown)
5	1	101-16	Bearing, Ball 6206-C3	44	1	34-101	Housing, Left Trans.-Mach.
6	2	102-03	Seal,Oil WBS 30x72x10 NB D/Lip	45	1	34-102	Housing, Right Trans-Mach.
7	1	102-05	Seal,Oil WBS 30x62x10 NB D/Lip	46	1	34-107	Pinion, Reverse - 16T
8	1	103-02	Plug, Magnetic 3/8-18NPT SQ.HD	47	1	34-108	Idler, Reverse - 16T
9	2	104-03	Pin, Dowel 1/4x7/8	48	1	34-109	Gear, High - 33T
10	2	104-39	Pin, Spring - 1/4 x1.0	49	1	34-110	Gear, Low - 39T
11	1	104-40	Pin, Dowel - 1/4 x 1.75	50	1	34-111	Gear, Reverse - 33T
12	12	105-03	Oilite Bushing	51	1	34-112	Shaft, Splined
13	1	105-20	Bushing, Oilite 1.25x1.5x.625 (Part of 34-128)	52	1	34-113	Shaft, Shift - Forward
14	1	105-21	Bushing, Oilite 1.0x1.125x.875 (Part of 34-129)	53	1	34-114	Shaft, Shift - Reverse
15	3	105-23	Bushing, Dowel - .312 x .5	54	1	34-115	Block, Shift
16	4	106-03	Retaining Ring HO-281PA	55	1	34-116	Fork, Shift - Mach.
17	1	106-05	Retaining Ring HO-244-PA	56	1	34-117	Lever, Shift
18	3	107-02	Retaining Ring SH-0118-PA	57	1	34-344	Knob, Shift - Plain
19	2	107-04	Retaining Ring SH-0098-PA	58	1	34-122	Cage, Differential
20	2	107-11	Retaining Ring PO-0062-PA	59a	1	34-125	Pinion, Helical - 21T (3.3)
21	2	107-14	Retaining, Ring LC-0125-PA	59b	1	34-123	Pinion, Helical - 25T (std)
22	1	107-15	Retaining Ring SHR-98-PA	60a	1	34-124	Gear Plate - 66T (std)
23	15	108-05	Lockwasher 5/16 Split-Ring	60b	1	34-126	Gear Plate - 70T (3.3)
24	1	108-08	Washer .28x.62x.07	61	1	34-127	Clutch, Dog
25	1	108-78	Washer, Thrust .63x1.19x .063	62	1	34-128	Pinion, High - 26T
26	1	108-79	Washer, Thrust 1.25x1.63x.050	63	1	34-129	Pinion, Low - 20T
27	1	108-85	Washer, Retaining Thrust	64	6	34-13	Gear, Planet - 12T
28	1	108-88	Washer, Retaining Thrust	65	1	34-130	Shaft, Input-19/15T Spline
29	5	109-05	Ball, Steel 6mm 62-67 Rc	66	1	34-131	Plate, Shifter/Neutral Start
30	4	112-04	HHCS 1/4-20 x 3/4 Gr2 Zn	67	1	34-132	Follower, Neutral Start
31	14	112-143	SHCS 5/16 x 1.25 Zn	68	2	34-14	Sun Gear
32	1	112-144	SHCS 5/16 x 1.0 Zn	69	2	34-32	Spring, Comp. 0.22x.50
33	1	112-145	SHSS 5/16-18 x 3/8	70	2	34-98	Shaft, Output
34	1	112-171	FHSC 1/4-20 x 3/4 Gr2 Zn	71	1	609-38	Boot, Shifter
35	2	112-172	SHMS, #5-40x3/4, Zn	72	1	613-112	Wire Harness,Neutral Safety
36	2	112-173	Locknut, #5-40, Zn	73	1	809-202	Switch, Limit - 2 Pole
37	3	112-64	SHCS 5/16-18x1.25	74	1	850-72	Bracket, Park Brake Cable
38	1	113-11	O-Ring #AS568-216-70BN	75	1	CE-035	Dipstick w/Breather
39	1	113-16	O-Ring #AS568-014-70BN	76	1	101-06	Bearing Needle,Timken BH-1012



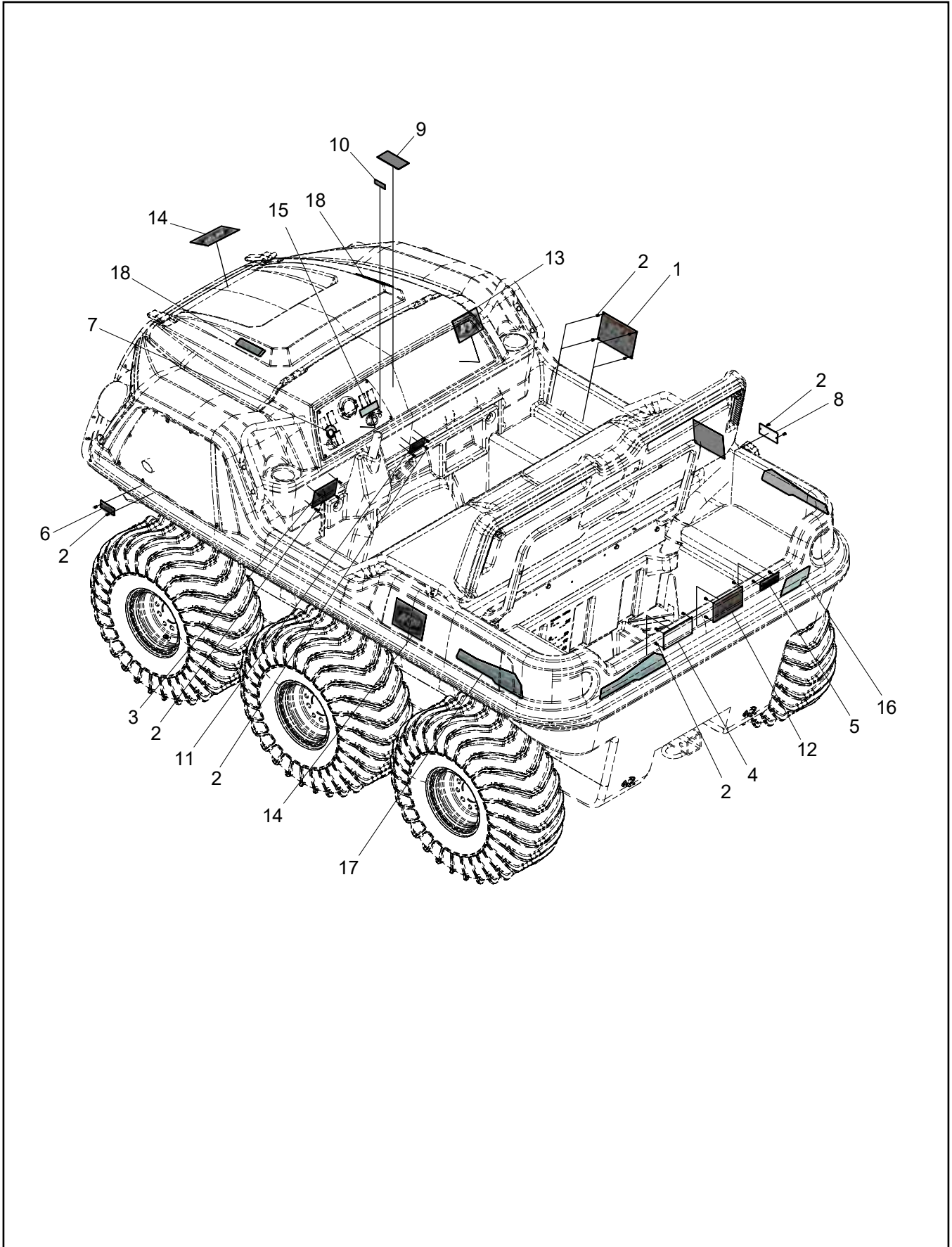
Ref.	Qty.	Part #	Description
3	2	103-18	HHCS 3/8-24x1.25 Gr5 Zn
4	2	103-20	HHCS 1/2-13x6.50 Gr5 Zn
5	6	108-06	Lockwasher 3/8 Split-Ring Zn
6	2	108-18	Washer .40x1.37x.12 Zn
7	2	108-107	Lockwasher 1/2 Split-Ring Zn
8	2	117-06	Nut, Fin Hex 1/2-13 Zn
9	1	300-0054	Bar, Equalizer
11	2	606-74	Disc, Brake - #60-10T Sprocket
13	1	800-0007	Caliper, Park Brake - Right
14	1	800-0008	Caliper, Park Brake - Left
15	2	10307C	Mount, Brake Caliper
16	4	103-41	SHCS 3/8-16x1.25 Zn
17	4	103-28	HHCS 5/16-18x5/8 Gr5 Zn
18	6	108-05	Lockwasher 5/16 Split-Ring Bnz
19	4	112-277	Locknut, Serrated Flange 5/16-18 Zn
20	1	500-0015	Transmission, Classic - 2.6
	1	500-0016	Transmission, Classic - 3.3
22	2	103-38	HHCS 5/16-18x1.25 Gr5 Zn
23	3	117-127	Locknut, Nylon 5/16-18 ZP
25	1	10119B	Switch, Micro Roller Lever Long
26	2	112-172	SHCS 5-40x3/4 Zn
27	2	112-173	Locknut, #5-40, Zn
28	6	108-47	Washer .39x.94x.13 Zn Di-Chro
29	1	809-147	Lever, Parking Brake
30	2	103-06	HHCS 5/16-18x1.0 Gr5 Zn
31	1	800-0009	Cable, Parking Brake - Dash
32	1	103-57	HHCS 5/16-18x1.5 Gr5 Zn
33	1	117-27	Locknut, Nylon 1/4-20 Zn
34	1	103-08	HHCS 1/4-20x1.0 GR5 Zn
36	1	700-0067	Boot, Parking Brake Handle
37	6	120-13	Rivet - 3/16 x 3/4 Black



Ref.	Qty.	Part	Description
2	2	108-05	Lockwasher 5/16 Split-Ring BNZ
3	4	108-15	Washer .42x.81x.05 Zn
5	2	112-20	HHCS M8x1,25x25mm Zn
6	3	112-58	HHCS 5/8-11x7.5 Gr5 Zn
7	2	112-153	HHCS 1/4-20x1/2" Gr8 Zn
9	4	117-29	Locknut, Nylon 3/8-16 BNZ
10	3	117-83	Locknut, Stover 5/8-11 Zn
11	2	200-0006	Insert, 7/16-14 Ext - 1/4-20 INT
13	1	300-0049	Wldt, Powerpack - Kohler
14	1	300-0099	Bracket, RPM Sensor
16	1	610-134	Brkt, Powerpack - Side Mnt
17	2	811-09	Washer, Nut
18	2	811-15	Washer, Square Lock
19	1	10011B	Sensor, Speed
20	1	10040C	Cable, Throttle - Finger
22	1	10509C	Throttle, Finger
23	1	ECH730	Engine, Kohler 23HP EFI
25	2	112-163	HHCS 3/8-16x2.0 Gr5 Zn Full
28	1	10329C	Cable, Battery Negative
29	1	127-93	Plug, Black Nylon - 7/16" ID



Ref.	Qty.	Part	Description
1	4	108-24	Washer .34x.70x.06 Zn
2	3	112-58	HHCS 5/8-11x7.5 Gr5 Zn
3	2	112-153	HHCS 1/4-20x1/2" Gr8 Zn
4	4	117-21	Locknut, TD 5/16-18 BNZ
5	3	117-83	Locknut, Stover 5/8-11 Zn
6	2	200-0006	Insert, 7/16-14 Ext - 1/4-20 INT
7	1	300-0138	Wldt, Powerpack - B&S
8	1	300-0227	Bracket, RPM Sensor
9	1	600-0016	Harness, 18/23HP Briggs
10	2	811-09	Washer, Nut
11	2	811-15	Washer, Square Lock
12	1	10011B	Sensor, Speed
13	1	10040C	Cable, Throttle - Finger
14	1	10057C	Engine, 18HP B&S
15	1	10509C	Throttle, Finger
17	2	112-163	HHCS 3/8-16x2.0 Gr5 Zn Full
18	1	600-0044	Relay, Micro 280 - SPDT
19	1	10120B003	Male Tab Adapter, #10 Ring Tongue
20	1	600-0043	Cable, Battery Negative
21	1	400-0036	Cable, Choke
22	1	400-0051	Spark Plug
23	1	842921	Filter, Oil



LABELS GROUP, Frontier 6x6 (ENGLISH)			
Ref.	Qty.	Part #	Description
1	1	126-68	Plate, Operation
2	18	120-24	Rivet, Alum - 3/32 x 3/8 Black
3	1	129-08	Plate, Pin - Blank
4	1	129-09	Plate, Capacity - Blank
5	1	126-67	Plate, Floor Pan
6	1	10547C	Label, Warning Hot
7	1	10549C	Label, Ignition
8	1	10548C	Label, Fuel
9	1	10579C	Label, Fuse Panel
10	1	10585C	Label, Secondary Fuse Panel
11	1	129-14	Plate, Shift Pattern - Classic
12	1	127-51	Plate, Capacity - 6x6
MODEL GROUP, Frontier 6x6 - 600			
Ref.	Qty.	Part #	Description
13	1	10503C	Decal, Shield Domed
14	2	10610C	Decal, Argo Shield - Flat
15	1	700-0023	Decal, Aps - 3.00 x 0.88
16	1	700-0020	Decal, Argo Text - 5.50 x 2.00
17	1	700-0018	Decal, Frontier
18	2	700-0026	Decal, Hood - 600 6x6
MODEL GROUP, Frontier 6x6 - 700			
Ref.	Qty.	Part #	Description
13	1	10503C	Decal, Shield Domed
14	2	10610C	Decal - Argo Shield - Flat
15	1	700-0023	Decal, Aps - 3.00 x 0.88
16	1	700-0020	Decal, Argo Text - 5.50 x 2.00
17	1	700-0018	Decal, Frontier
18	2	700-0029	Decal, Hood - 700 6x6
MODEL GROUP, Frontier 6x6 - 700 Scout			
Ref.	Qty.	Part #	Description
13	1	10503C	Decal, Shield Domed
14	2	10610C	Decal, Argo Shield - Flat
15	1	700-0023	Decal, Aps - 3.00 x 0.88
16	1	700-0020	Decal, Argo Text - 5.50 x 2.00
17	1	700-0018	Decal, Frontier
18	3	700-0032	Decal, Hood - 700 Scout 6x6

15.1 Labels, By Region

2020 Frontier 6x6 Parts Manual

MAIN RELAY	LIGHTS DIMMER RELAY	ACCESSORIES RELAY	OPTION A RELAY	BUZZER
ECM	OPTION A	MODULATED OPTION A	OPTION A	CHIME
STARTER SW	OPTION A	OPTION A	OPTION A	CHIME
WIPER SW	WIPER SW	WIPER SW	WIPER SW	WIPER SW
WIPER SW	WIPER SW	WIPER SW	WIPER SW	WIPER SW

1

RELAY PRINCIPAL	RELAY AMPLIFICATION LAMP	RELAY ACCESSORIES	RELAY OPTION A	BUZZER
ECM	OPTION A	MODULATED OPTION A	OPTION A	CHIME
STARTER SW	OPTION A	OPTION A	OPTION A	CHIME
WIPER SW	WIPER SW	WIPER SW	WIPER SW	WIPER SW
WIPER SW	WIPER SW	WIPER SW	WIPER SW	WIPER SW

2

Component part	Part number	Part description	Component part (V)	Part number
ECM	Option A	Modulated Option A	Option A	Chime
Starter SW	Option A	Option A	Option A	Chime
Wiper SW	Wiper SW	Wiper SW	Wiper SW	Wiper SW
Wiper SW	Wiper SW	Wiper SW	Wiper SW	Wiper SW

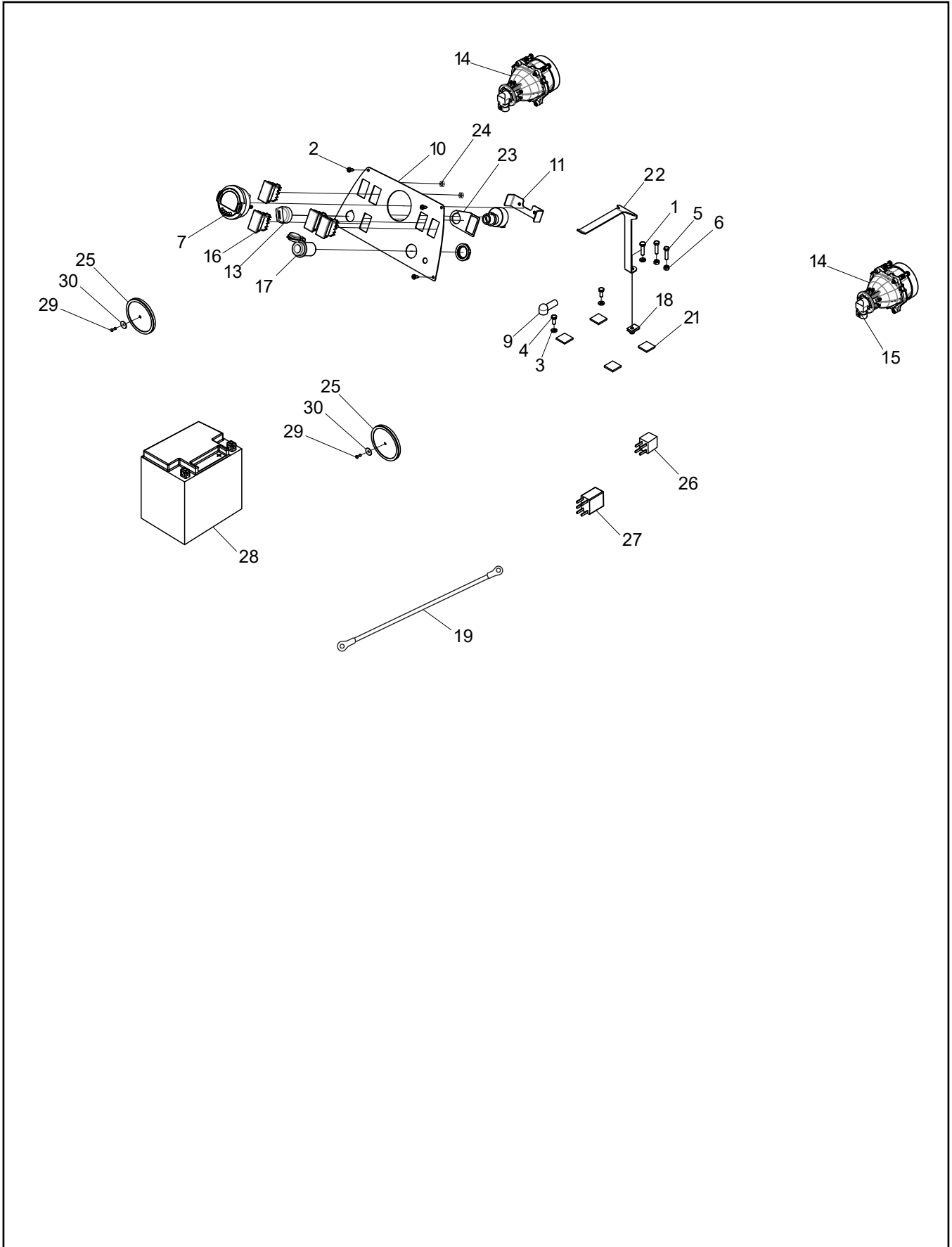
3

4

5

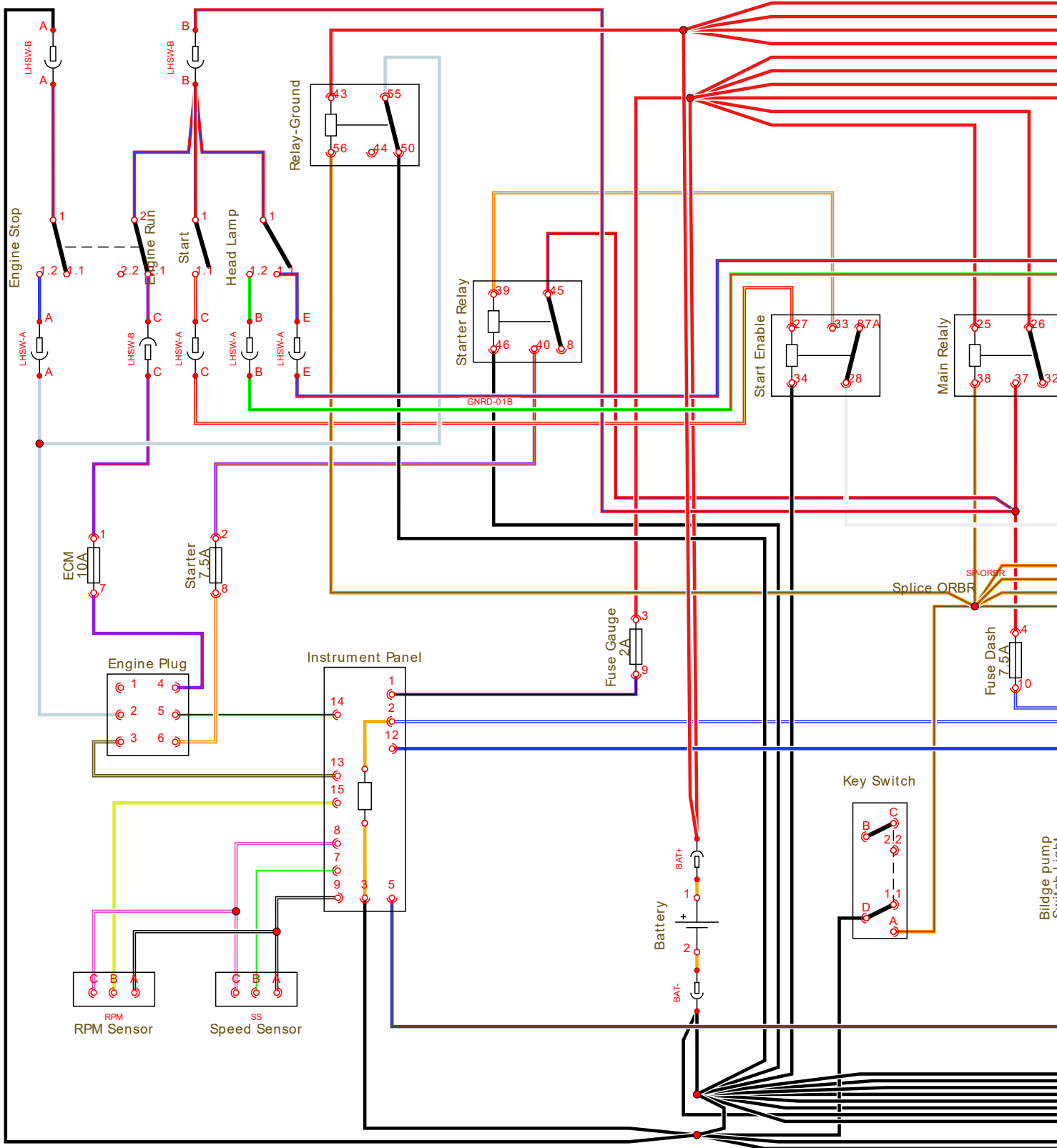
6

FUSE PANEL LABELS - EN FR RU			
Ref.	Qty.	Part #	Description
1	1	600-0041	Label, Fuse Panel
2	1	600-0041-FRE	Label, Fuse Panel, French
3	1	600-0041-RUS	Label, Fuse Panel, Russian
LABEL SHEETS - FR RU			
Ref.	Qty.	Part #	Description
4	1	10670C	Label Sheet, Frontier - French
5	1	10671C	Label Sheet, Frontier - Russian
OPERATOR'S MANUAL - EN			
Ref.	Qty.	Part #	Description
6	1	100-0103	Operator's Manual, Frontier

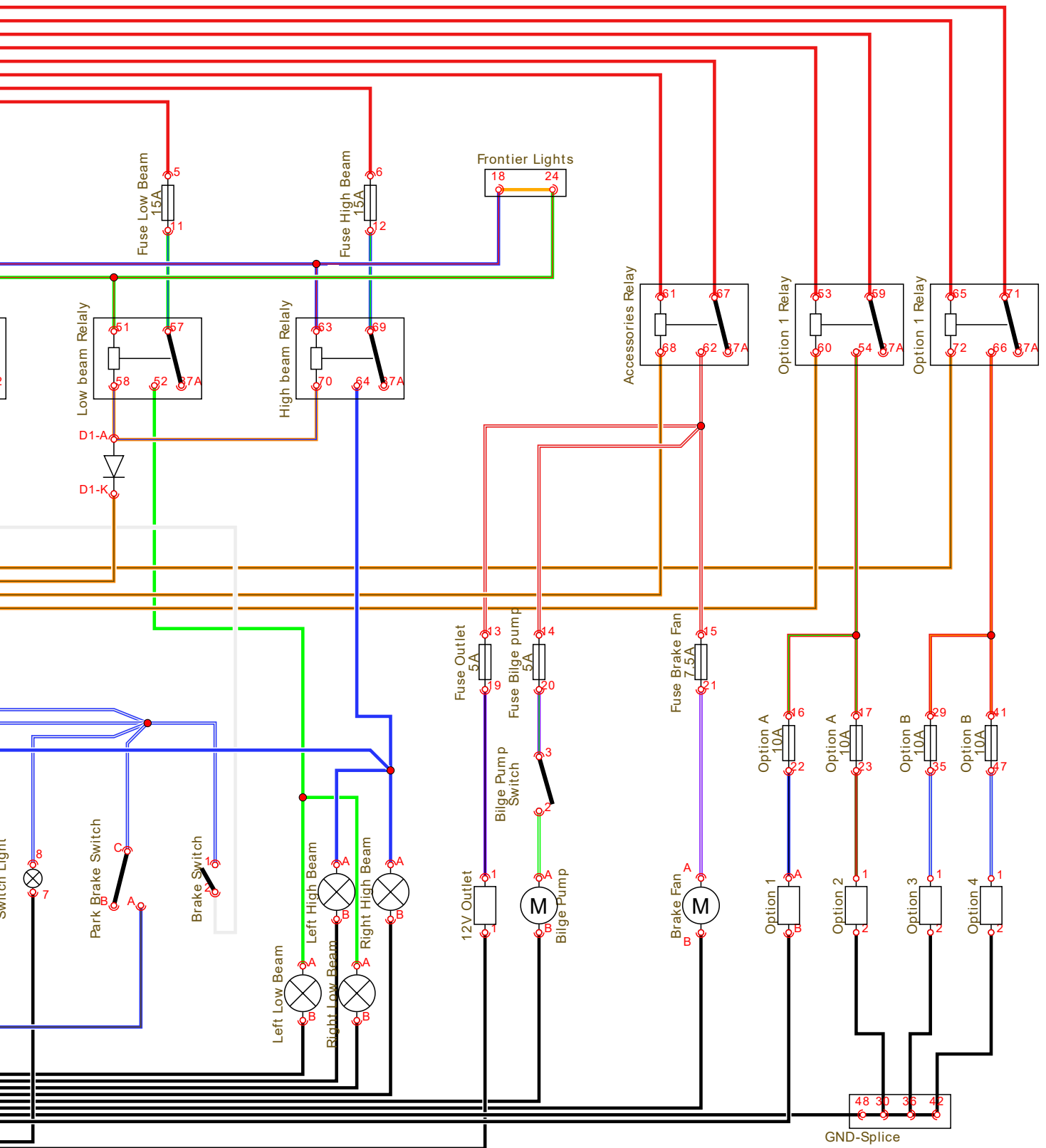


Ref.	Qty.	Part #	Description
1	1	103-08	HHCS 1/4-20x1.0 Bnz
2	4	103-48	T/S Pan HD Phil #10x5/8 A Blk
3	3	108-03	Lockwasher 1/4 Split Ring Zn
4	2	112-118	HHCS M6x1,0x15mm
5	2	112-212	HHCS M6x1x25mm, Black Zn
6	2	117-63	Nut, Hex M6x1,0 Zn
7	1	600-0003	Gauge, Instrument Panel
8	1	600-0007	Harness, Main (not shown)
9	1	613-46	Insulator, Terminal (2 Ga.)
10	1	700-0010	Panel, Dash
11	1	700-0011	Bracket, Gauge Mount
12	1	10000B	Handle Switch, Left (not shown)
13	1	10006B	Switch, Ignition
14	2	10008B	Light, Low Beam
15	2	10622G	Bulb, 60W
16	4	10015B	Switch, Hole Plug
17	1	10016B	Outlet, 12 Volt
18	1	10056A002	Unut, 1/4-20 x .025-.150 PH
19	1	10328C	Cable, Battery Positive
21	4	10331C	Bumper, 1"x1" Adhesive Backed
22	1	10332C	Bracket, Tie Down
23	1	10425C	Spacer, Ignition
24	2	200-0039-001	HXNN, M5x0.8 Gr8.8 Bnz
25	2	700-0060	Reflector, Rear Frontier
26	1	118-79	Relay, Ultra Micro, SPNO 20A
27	1	600-0044	Relay, Micro 280 - SPDT
28	1	10005B	Battery, YIX30L - 12V
29	2	120-09	Rivet - 3/16 x 1.0 Black
30	1	120-04	Washer .19x.50x.08 BNZ

16.1 Main Wire Harness - Schematic 2020 Frontier 6x6 Parts Manual



2020 Frontier 6x6 Parts Manual 16.1 Main Wire Harness - Schematic



ARGO Products Manufactured by:

Ontario Drive & Gear Limited

220 Bergey Court

New Hamburg, Ontario

Canada N3A 2J5

Phone: (519) 662-2840

Fax: (519) 662-2421

www.argoxtv.com

ODG *Dedicated to quality and performance*