

Argo 6x6 ***Frontier***



Argo 6x6

2019 PARTS MANUAL

Frontier 600 6x6

**18 HP Briggs & Stratton Engine w/Classic
Transmission**

**** For factory installed accessory parts included with your vehicle see Accessories Manual 677-01 (2019)***

Foreword

ODG has prepared this parts manual for the FRONTIER model to assist both qualified mechanics and vehicle owners in ordering correct, quality replacement ARGO parts. For the most current parts manual visit our website at www.argoatv.com.

Proper and regular service, and replacing old, worn or broken parts with the correct ARGO replacement parts, are both essential to prolonging the life of the ARGO. Please refer to this parts manual and/or our website www.argoatv.com before ordering any replacement part.

All information contained in this FRONTIER Parts Manual is based on the latest product specification available at time of printing. If your FRONTIER differs from the specifications contained in this manual, check our website www.argoatv.com for the most current information.

ODG reserves the right to alter specifications on the FRONTIER model at any time, without obligation or prior notification.

Reproduction of this FRONTIER Parts Manual, in whole or in part, is prohibited without prior written permission from Ontario Drive & Gear Limited.

Vehicle Identification

6x6 FRONTIER - From Serial No 19080 (last 5 digits of V.I.N.)

Explanation of Parts Manual Format

- | | |
|--------------------|--|
| Ref | - Reference number between assembly diagram and component parts list |
| Part No. | - Argo replacement part number for identification and re-ordering |
| Description | - Part description for identification and re-ordering |
| Qty | - Indicates the quantity of a part used in an assembly |

Argo 6x6 Frontier



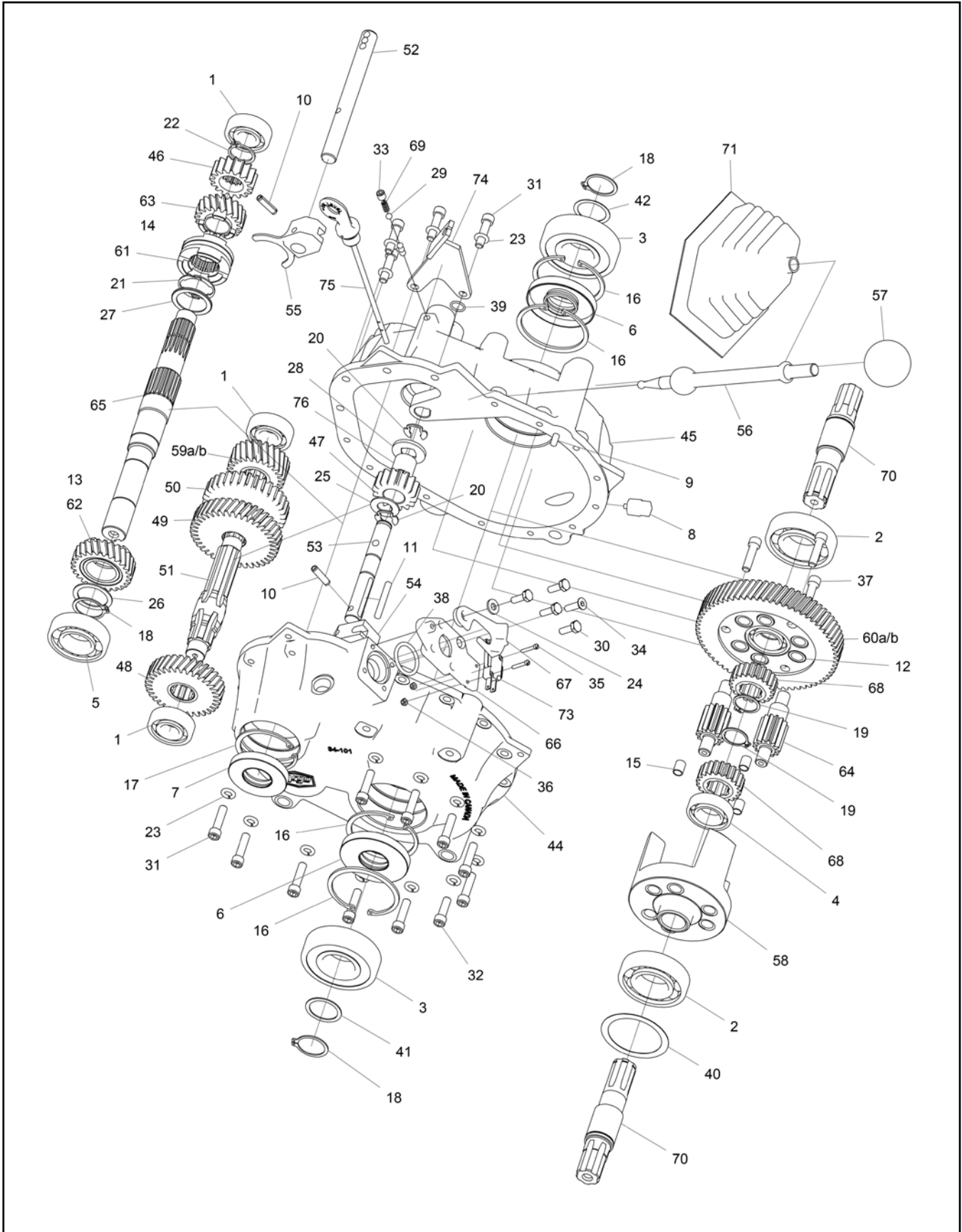
Using the Parts Manual

1. Find the major vehicle assembly in the Table of Contents on this page, and turn to that section.
2. Locate the part in the illustration that you wish to order.
3. Refer to the parts list in that section.
4. Find the correct part number (Part No.), part description (Description) and correct quantity (Qty).
5. Use *only* this information to order ARGO replacement parts. **DO NOT** attempt to order a replacement part by reference number or page number.

Table of Contents

Foreword	i
Vehicle Identification.....	i
Using the Parts Manual	ii
1.0 Transmission	2
2.0 Intake and Exhaust System.....	4
3.0 Clutch System	6
4.0 Power Pack Assembly	8
5.0 Steering & Brake System	10
6.0 Parking Brake	12
7.0 Vehicle Body & Firewall.....	14
8.0 Frame & Drive System	16
9.0 Fuel System & Seat Assembly	18
10.0 Electrical System.....	20

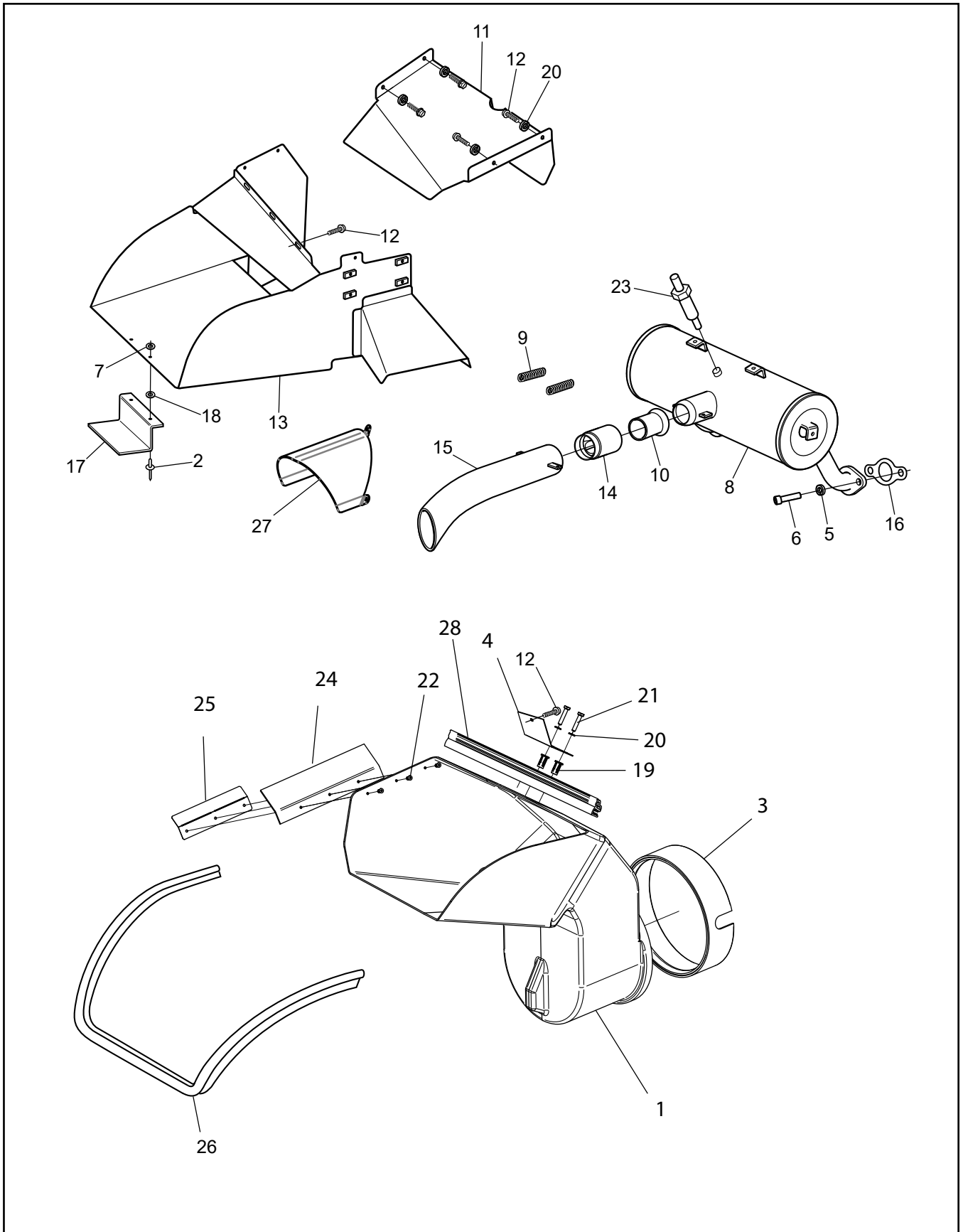
This page intentionally left blank



Frontier 600 6x6 Parts Manual

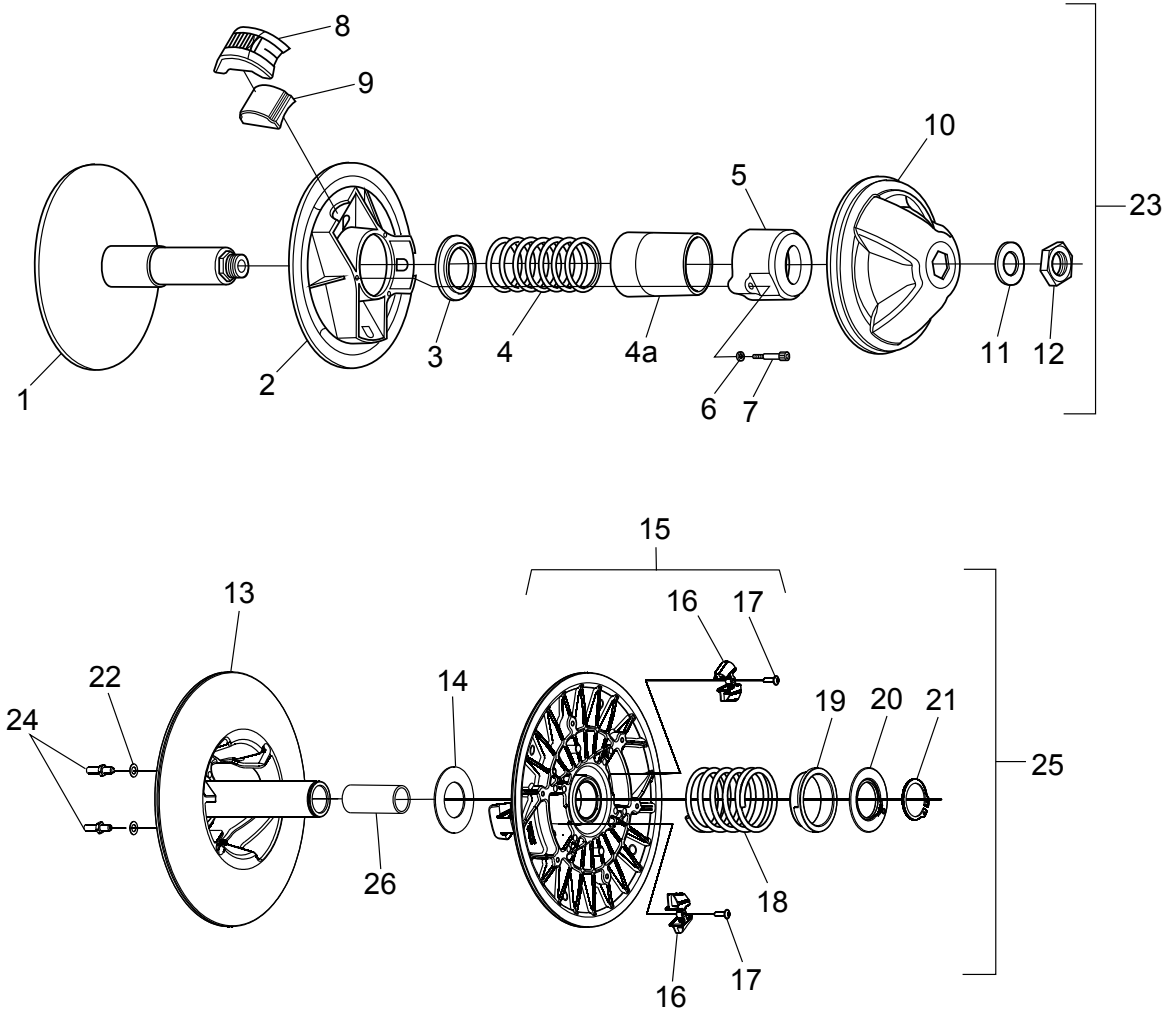
1.0 Transmission

Ref.	Qty.	Part #	Description	Ref.	Qty.	Part #	Description
	1	34-100	Transmission (Std)	38	1	113-11	O-Ring #AS568-216-70BN
	1	34-100-3.3	Transmission (3.3 Ratio)	39	1	113-16	O-Ring #AS568-014-70BN
1	3	101-01	Bearing, Ball 6204Z-C3	40	1	114-01	Washer, Shim
2	2	101-03	Bearing, Ball 6207-C3	41	1	114-04	Washer, Shim 1.19x1.50x.04
3	2	101-05	Bearing, Sing Ball 6306L LU-C3/2A	42	1	114-05	Washer, Shim 1.19x1.50x.02
4	2	101-15	Bearing, Ball 6005-C3	43	1.1L	125-99	Transmission Oil
5	1	101-16	Bearing, Ball 6206-C3	44	1	34-101	Housing, Left Trans.-Mach.
6	2	102-03	Seal,Oil WBS 30x72x10 NB D/Lip	45	1	34-102	Housing, Right Trans-Mach.
7	1	102-05	Seal,Oil WBS 30x62x10 NB D/Lip	46	1	34-107	Pinion, Reverse - 16T
8	1	103-02	Plug, Magnetic 3/8-18NPT SQ.HD	47	1	34-108	Idler, Reverse - 16T
9	2	104-03	Pin, Dowel 1/4x7/8	48	1	34-109	Gear, High - 33T
10	2	104-39	Pin, Spring - 1/4 x1.0	49	1	34-110	Gear, Low - 39T
11	1	104-40	Pin, Dowel - 1/4 x 1.75	50	1	34-111	Gear, Reverse - 33T
12	12	105-03	Oilite Bushing	51	1	34-112	Shaft, Splined
13	1	105-20	Bushing, Oilite 1.25x1.5x.625 (Part of 34-128)	52	1	34-113	Shaft, Shift - Forward
14	1	105-21	Bushing, Oilite 1.0x1.125x.875 (Part of 34-129)	53	1	34-114	Shaft, Shift - Reverse
15	3	105-23	Bushing, Dowel - .312 x .5	54	1	34-115	Block, Shift
16	4	106-03	Retaining Ring HO-281PA	55	1	34-116	Fork, Shift - Mach.
17	1	106-05	Retaining Ring HO-244-PA	56	1	34-117	Lever, Shift
18	3	107-02	Retaining Ring SH-0118-PA	57	1	34-344	Knob, Shift - Plain
19	2	107-04	Retaining Ring SH-0098-PA	58	1	34-122	Cage, Differential
20	2	107-11	Retaining Ring PO-0062-PA	59a	1	34-125	Pinion, Helical - 21T (3.3)
21	2	107-14	Retaining, Ring LC-0125-PA	59b	1	34-123	Pinion, Helical - 25T (std)
22	1	107-15	Retaining Ring SHR-98-PA	60a	1	34-124	Gear Plate - 66T (std)
23	15	108-05	Lockwasher 5/16 Split-Ring	60b	1	34-126	Gear Plate - 70T (3.3)
24	1	108-08	Washer .28x.62x.07	61	1	34-127	Clutch, Dog
25	1	108-78	Washer, Thrust .63x1.19x .063	62	1	34-128	Pinion, High - 26T
26	1	108-79	Washer, Thrust 1.25x1.63x.050	63	1	34-129	Pinion, Low - 20T
27	1	108-85	Washer, Retaining Thrust	64	6	34-13	Gear, Planet - 12T
28	1	108-88	Washer, Retaining Thrust	65	1	34-130	Shaft, Input-19/15T Spline
29	5	109-05	Ball, Steel 6mm 62-67 Rc	66	1	34-131	Plate, Shifter/Neutral Start
30	4	112-04	HHCS 1/4-20 x 3/4 Gr2 Zn	67	1	34-132	Follower, Neutral Start
31	14	112-143	SHCS 5/16 x 1.25 Zn	68	2	34-14	Sun Gear
32	1	112-144	SHCS 5/16 x 1.0 Zn	69	2	34-32	Spring, Comp. 0.22x.50
33	1	112-145	SHSS 5/16-18 x 3/8	70	2	34-98	Shaft, Output
34	1	112-171	FHSC 1/4-20 x 3/4 Gr2 Zn	71	1	609-38	Boot, Shifter
35	2	112-172	SHMS, #5-40x3/4, Zn	72	1	613-112	Wire Harness,Neutral Safety
36	2	112-173	Locknut, #5-40, Zn	73	1	809-202	Switch, Limit - 2 Pole
37	3	112-64	SHCS 5/16-18x1.25	74	1	850-72	Bracket, Park Brake Cable
				75	1	CE-035	Dipstick w/Breather
				76	1	101-06	Bearing Needle,Timken BH-1012



Ref.	Qty.	Part #	Description
1	1	809-07	Duct, Intake - Frontier
2	2	120-13	Rivet, 3/16 x 3/4" Black
3	1	603-82	Seal, Radiator, 30
4	1	809-08	Bracket, Intake Duct
5	4	108-02	Lockwasher 5/16 Hi-Collar Bare
6	4	112-30	SHCS M8x1,25x20mm Zn
7	2	120-04	Washer, .19 x .50 x .08 Zn
8	1	807-140	Muffler ASM, 14/18HP Frontier
9	2	127-187	Spring, Extension - 17/32 x 3.75
10	1	607-135	Tube, Muffler, Flared x 2.0
11	1	607-210	Shield, Heat, Frontier EFI
12	9	112-19	Screw, IHWH T/C Slot 1/4-20 x 1/2
13	1	607-164	Duct, Exhaust - Frontier
14	1	607-171	Spark Arrester - ODG
15	1	607-134	Pipe, Tail Asy
16	2	24 041 49	Gasket, Exhaust Manifold
17	1	707-45	Support, Exhaust Duct
18	2	125-58	Washer, Fibre - W-77F
19	2	117-53	Nut, Jack 1/4-20 8L-JNS Zn
20	6	108-03	Lockwasher 1/4 Split Ring Zn
21	2	103-97	HHCS 1/4-20 x 1.25 Gr5 Zn
22	3	120-11	Rivet, 5/32 x .157-.472
23	1		See Section 4.0 Power Pack Assembly
24	1	126-110	Seal, Air Intake, Briggs
25	1	126-111	Bracket, Intake Seal
26	1	807-77-30	Seal, Radiator, 30"
27	1	10042C	Shield, Exhaust
28	1	126-109-16	Seal, 90 Deg. Bulb, 16"

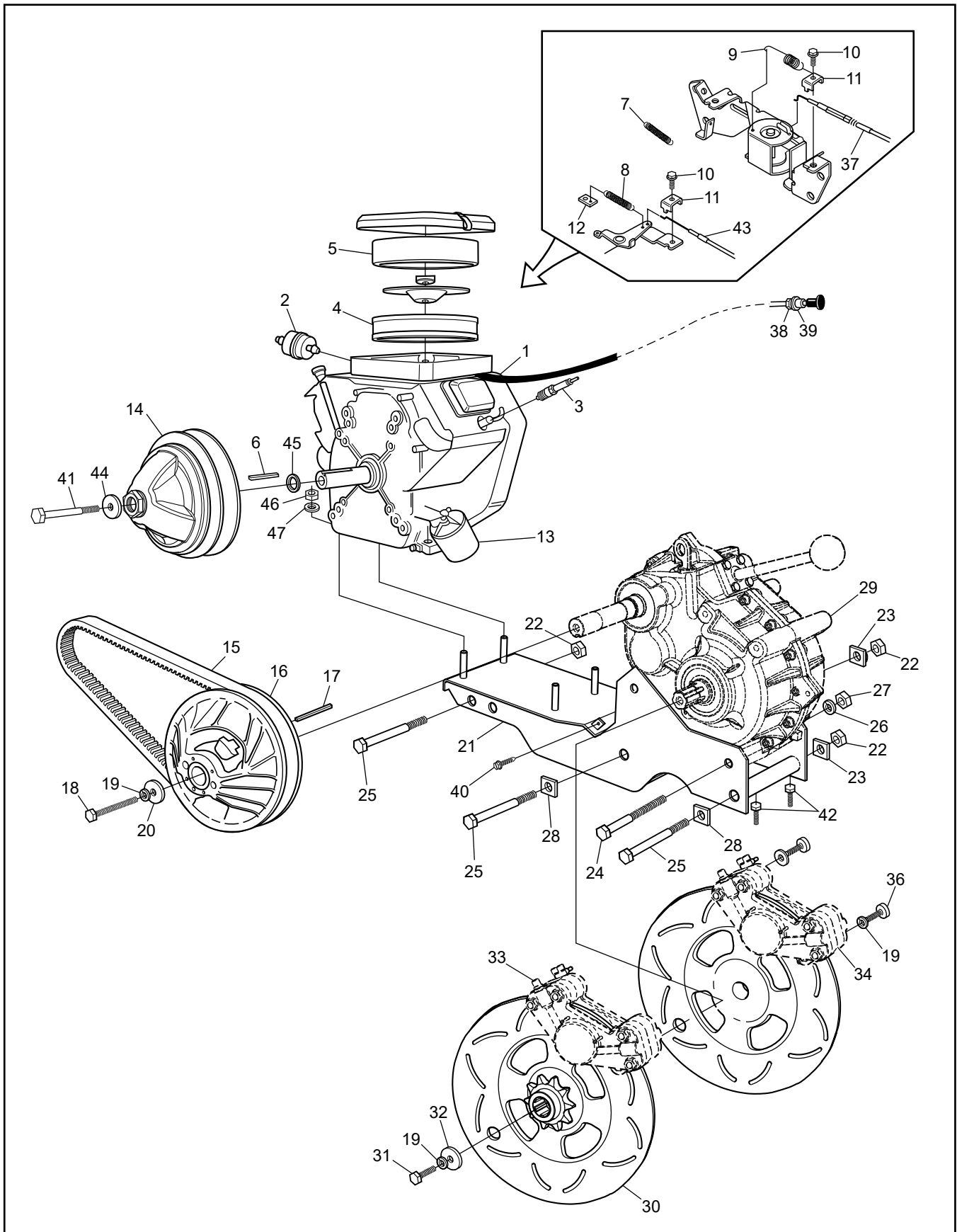
3.0 Clutch System



Ref.	Qty.	Part #	Description
1	1	0405-0139	Flange, Fixed - 6x6 Frontier EFI (19 hp)
2	1	0410-0033	Flange, Sliding
3	1	0150-1014	Spring Guide Washer
4	1	1151-1114	Spring (610-129) (Kohler 19 hp)
4a	1	0450-3002	Guide, Spring
5	1	0440-0005	Spring Cover
6	3	0080-0167	Lockwasher
7	3	0080-0021	Screw, Cap
8	3	0130-3012	Block
9	3	0135-3065	Weight (275gr) - 6x6 Frontier EFI (610-126 & 610-129)
	1	127-208	Weight Set (3), 185g - High Elevation (See Bulletin NP #5)
	1	127-209	Weight Set (3), 220g - High Elevation (See Bulletin NP #5)
	1	127-210	Weight Set (3), 240g - High Elevation (See Bulletin NP #5)
10	1	0115-2061	Cap
11	1	0080-0804	Washer, Zn
12	1	V16J1	Nut
13	1	5905-0003	Flange, Fixed
14	1	0080-0164	Washer, Shim
15	1	5910-0002	Flange, Sliding
16	2	5930-3001	Cam Shoe
17	2	0080-0031	Screw
18	1	5951-1009	Spring
19	1	5950-3003	Spring Protector
20	1	5950-3002	Spring Support
21	1	0080-0216	Retaining Ring, Outside
22	2	0080-0167	Lockwasher
23	1	610-129	Clutch, Driver - 6x6 Frontier EFI (19 hp)
24	2	0080-0035	Screw & Nut Ass'y
25	1	127-156	Clutch, Driven - INVANCE
26	1	5940-2001	Keyway Stopper

4.0 Power Pack Assembly

Frontier 600 6x6 Parts Manual



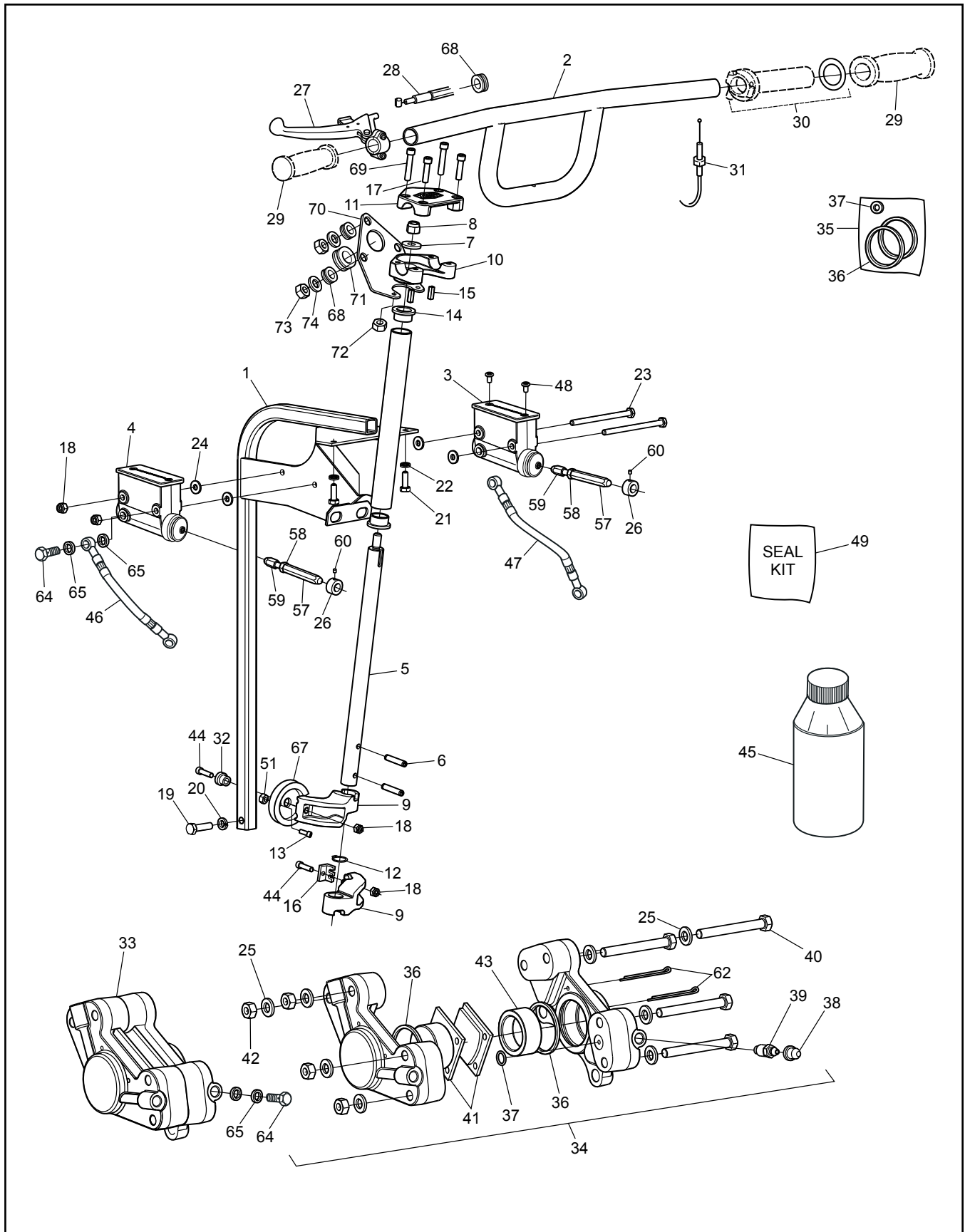
Frontier 600 6x6 Parts Manual

4.0 Power Pack Assembly

Ref.	Qty.	Part #	Description	Ref.	Qty.	Part #	Description
1	1	10057C	Engine - B&S 18HP, 20 amp incl. Ref. 2-13 B&S #356447-0635-G1	33			See Section 5.0 Steering & Brake System
2	1	125-64	Fuel Filter, G81-4	34			See Section 5.0 Steering & Brake System
3	2	127-193	Sparkplug RC14YC	36	4	103-41	SHCS 3/8-16 x 1.25 Zn
4	1	692519	Filter, Air	37	1	612-101	Cable Asm, Throttle
5	1	692520	Element, Foam	38	2	117-68	Nut, Jam 3/8-24 UNF Zn
6	1	110-18	Key 1/4 x 1/4 x 1.75 RC45	39	1	108-32	Lockwasher 3/8 Int.Tooth
7	1	805458	Spring	40	2	103-71	Screw, IHWH T/C 1/4-20 x 1.25
8	1	125-88	Spring, Return	41	1	112-160	HHCS, 7/16-20 x 5" Lg
9	1	127-49	Spring, Return	42	2	103-53	HHCS 3/8-16 x 3.0 Full Thread
10	2	805169	Screw-Hex Head (Briggs #)	43	1	612-92	Cable Asm, Choke
11	2	221535	Clamp - Casing (Briggs #)	44	1	108-58	Washer .47 x 1.37 x .12 Hi-Carbon
12	1	601-86	Clip, Retainer	45	1	108-87	Washer, Engine, Clutch
13	1	842921	Filter, Oil	46	4	117-21	Locknut, Nylon 5/16-18 Zn
14			See Section 3.0 Clutch System	47	4	108-24	Washer .34 x 1.00 x .06 Zn
15	1	127-159	Drive Belt - Frontier - 11.3" Cen. Dist				
	1	127-159HD	Drive Belt -Frontier -Heavy Duty (Opt.)				
16			See Section 3.0 Clutch System				
17	1	110-03	Key 1/4 x 3/16 x 2.375 RC46				
18	1	112-164	HHCS 3/8-16 x 3.50 Gr5 Zn				
19	7	108-06	Lockwasher 3/8 Split Ring Zn				
20	1	108-46	Washer .40 x 1.37 x 1.2 Hi- Carbon				
21	1	604-118	Frame Ass'y - Power Pack				
22	3	117-83	Locknut, Stover 5/8-11 Zn				
23	2	811-09	Washer, Square - .64 ID				
24	2	103-20	HHCS 1/2-13 x 6.5 Gr5 Zn				
25	3	112-58	HHCS 5/8-11 x 7.5 Gr5 Zn				
26	2	108-107	Lockwasher 1/2" High Alloy				
27	2	117-06	Nut, Fin Hex 1/2-13 Zn				
28	2	811-15	Washer, Square Lock .64 ID				
29			See Section 1.0 Transmission				
30	2	606-74	Disc, Brake-Splined #60-10T				
31	2	103-18	HHCS 3/8-24 x 1.25 Gr5 Zn				
32	2	108-18	Washer .40 x 1.37 x .12 Zn				

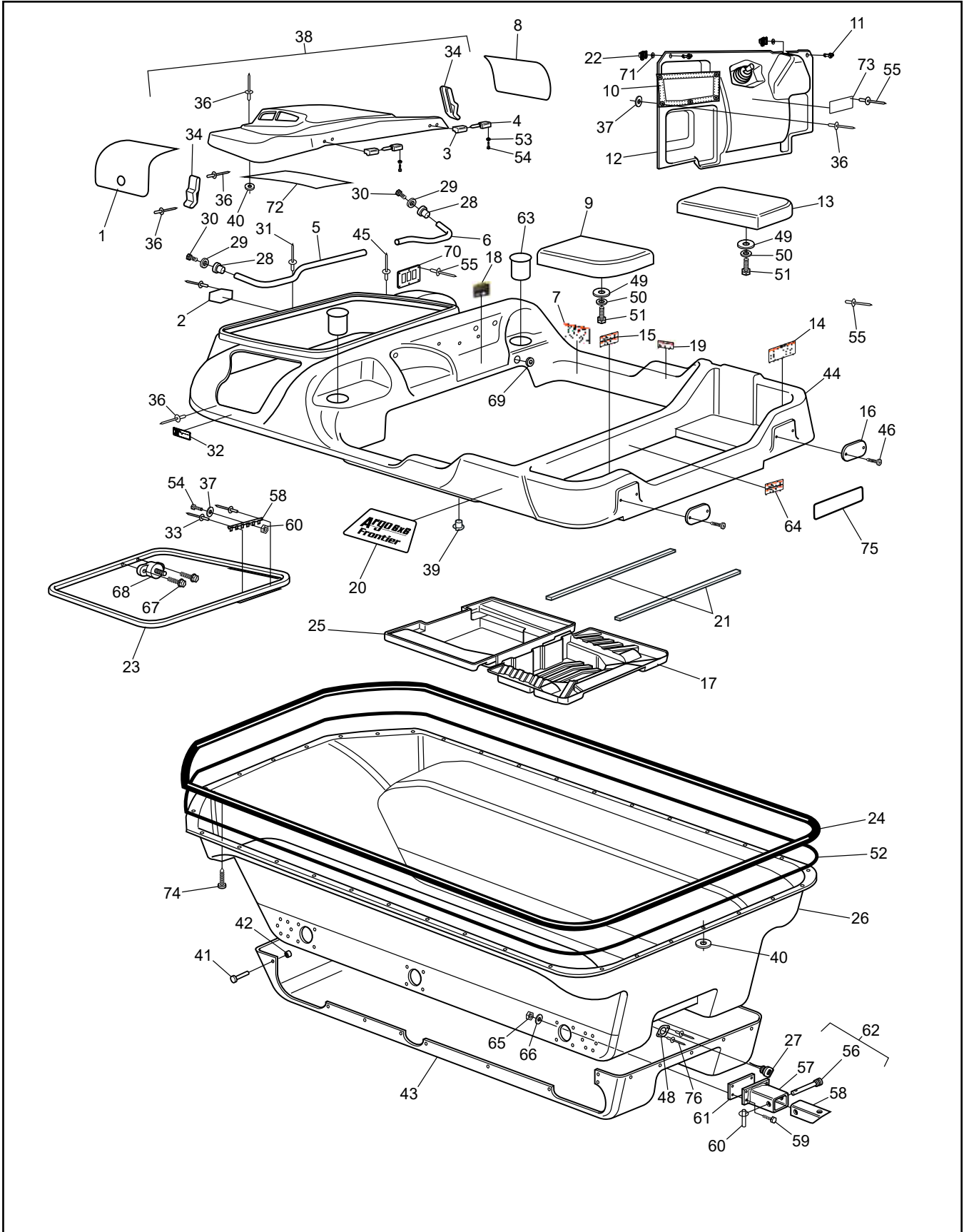
5.0 Steering & Brake System

Frontier 600 6x6 Parts Manual



Ref.	Qty.	Part #	Description	Ref.	Qty.	Part #	Description
1	1	612-123	Frame Assembly, Steering Column	44	2	112-159	BHCS, 1/4-20 x 1.0, Plated
2	1	612-107	Handlebar Assembly	45		126-19	Fluid, Brake-Silicon
3	1	165-58	Master Cylinder, RH Wilwood				Dot 5 - .35L
4	1	165-57	Master Cylinder, LH Wilwood	46	1	163-06	Hose Asm, Hydraulic - Right - SS
5	1	612-128	Shaft, Steering - Avenger	47	1	163-05	Hose Asm, Hydraulic - Left
6	2	104-42	Pin, Spring 1/4 x 1.5"	48	2x2	160-42	Screw, FHMS
7	1	108-47	Washer, .39 x .94 x .13 Zn Di-chr				M5 x 0,8 x 6mm
8	1	117-29	Locknut, Nylon 3/8-16 Zn	49	1	165-37	Piston Seal Kit - Wilwood
9	2	612-124	Arm, Steering	51	1	117-10	Locknut, 10-24 N/I Zn
10	1	612-106	Clamp, Lower Handlebar	57	2	812-30	Pin, Female
11	1	612-105	Clamp, Upper Handlebar	58	2	117-03	Nut, Fin Hex 1/4-20 Zn
12	1	106-07	Ring, Retaining SH-0075PA	59	2	812-31	Pin, Male
13	1	160-46	SHCS, #10-24 x 3/8"	60	2	112-02	SHSS 10-24x1/4 Knurl Cup PT, PL
14	2	105-16	Bushing, Oilite - 3/4 x 1/2	62	2x2	168-07	Pin, Cotter 1/8 x 3.00 Zn
15	2	110-17	Key, 3/16 x 3/16 x .625	64	4	160-44	Bolt, Banjo - M10 x 1,0 x 21,0
16	1	128-24	Retainer, Handbrake Cable	65	8	160-01	Washer, Copper - 1,5 x 10,0 x 14,0
17	2	112-47	SHCS, 1/4-20 x 1.0 Zn	67	1	165-18	Pulley, Handbrake Cable
18	4	117-27	Locknut, Nylon 1/4-20 Zn	68	4	125-84	Grommet, Rubber
19	1	112-155	C/Bolt 5/16-18x1.25 Gr2 Zn	69	2	103-69	SHCS 1/4-20 x 1.5 Zn
20	1	108-05	Lockwasher 5/16 Split-Ring Zn	70	1	612-132	Bracket, LCD Gauge - Painted
21	2	112-04	HHCS 1/4-20 x 3/4 Gr2 Zn	71	1	128-27	Grommet 1-1/4ID x 1-1/2x3/32
22	2	108-03	Lockwasher 1/4 Split Ring Zn	72	2	117-86	Nut, Acorn, 1/4-20 Zn
23	2	103-66	HHCS, 1/4-20 x 4.0 Gr5 Zn	73	3	117-85	Nut, Acorn, M5 Zn
24	4	108-08	Washer, .28 x .62 x .04 Zn	74	3	120-04	Washer .19 x .50 x.08 Zn
25	2x8	108-24	Washer, .34 x .70 x .06 Zn				
26	2	812-17	Collar				
27	1	128-17	Lever Assembly, Handbrake, Spring				
28	1	128-21	Cable Assembly, Handbrake				
29	2	127-35	Grip, Molded				
30	1	127-81	Throttle Twist Grip				
31	1	612-101	Cable Asm., Throttle - Frontier				
32	1	105-25	Bushing, Flange Oilite FF-310				
33	1	166-12	Caliper, Hydraulic Brake - L				
34	1	166-13	Caliper, Hydraulic Brake - R				
35	2	161-05	O-ring Kit, Knott Caliper				
36	4		Seal, Piston				
37	2		Seal, Rubber				
38	2x1	168-20	Plug, Rubber				
39	2x1	168-02	Screw, Bleeding, Knott Caliper				
40	2x4	103-55	HHCS, 5/16-18 x 2.75 Gr5 Zn				
41	1	170-03	Pad Set (4), Brake - Non-Asbestos				
42	2x4	117-03	Nut, Fin Hex 5/16-18 Zn				
43	2x2	168-01	Piston, Knott Caliper				

Ref.	Qty.	Part #	Description
1	1	850-96	Caliper Ass'y, LH, Parking Brake
2	1	850-97	Caliper Ass'y, RH, Parking Brake
3	1	850-98	Kit, Service, Parking Brake (includes Ref. 4 - 9, not sold separately)
4	1		Cam Tension Spring (compression)
5	1		Left & Right Brake Pads
6	1		Cam Arm Spring (tension)
7	1		Brake Pad Retaining Screw
8	1		Castle Nut
9	1		Cotter Pin
10	2	103-06	HHCS 5/16-18x1.0 Gr5 Zn
11	5	103-08	HHCS 1/4-20x1.0 Zn
12	2	112-173	Locknut, #5-40, Zn
13	1	112-178	Bolt, Shoulder, 1/2 x 5/8
14	2	112-172	SHCS 5-40 x 3/4 Zn
15	1	108-35	Washer .53 x 1.06 x .09 Zn
16	5	108-24	Washer .34x.70x.06 Zn
17	7	108-47	Washer .39x.94x.13 Zn Di-Chro
18	1	117-10	Locknut, 10-24 N/I Zn
19	4	112-132	HHCS 5/16-18 x 3.25 Gr5 Zn
21	2	105-43	Bushing .37x.03 Wall x 2.1 Lng
22	5	117-21	Locknut, Nylon 5/16-18 Zn
23	5	117-27	Locknut, Nylon 1/4-20 Zn
24	1	613-120	Switch, Micro, Lever
26	1	104-27	Pin, Clevis 5/16x.75" Zn
27	1	100-140	Pin, Bow & Tie Cotter, 0.091 x 1.875
28	1	117-124	5/16" Nylon Insert Cap Nut
29	1	809-147	Lever, Parking Brake
33	1	850-72	Bracket Asm, Parking/Brake
35	1	850-79	Pulley, Parking Brake Cable
36	2	850-80	Cable, Parking Brake Equalizer
37	1	850-81	Cable, Parking Brake
38	1	850-82	Flat Bar, Equalizer
39	1	112-143/PI	SHCS 5/16x1.25 Zn



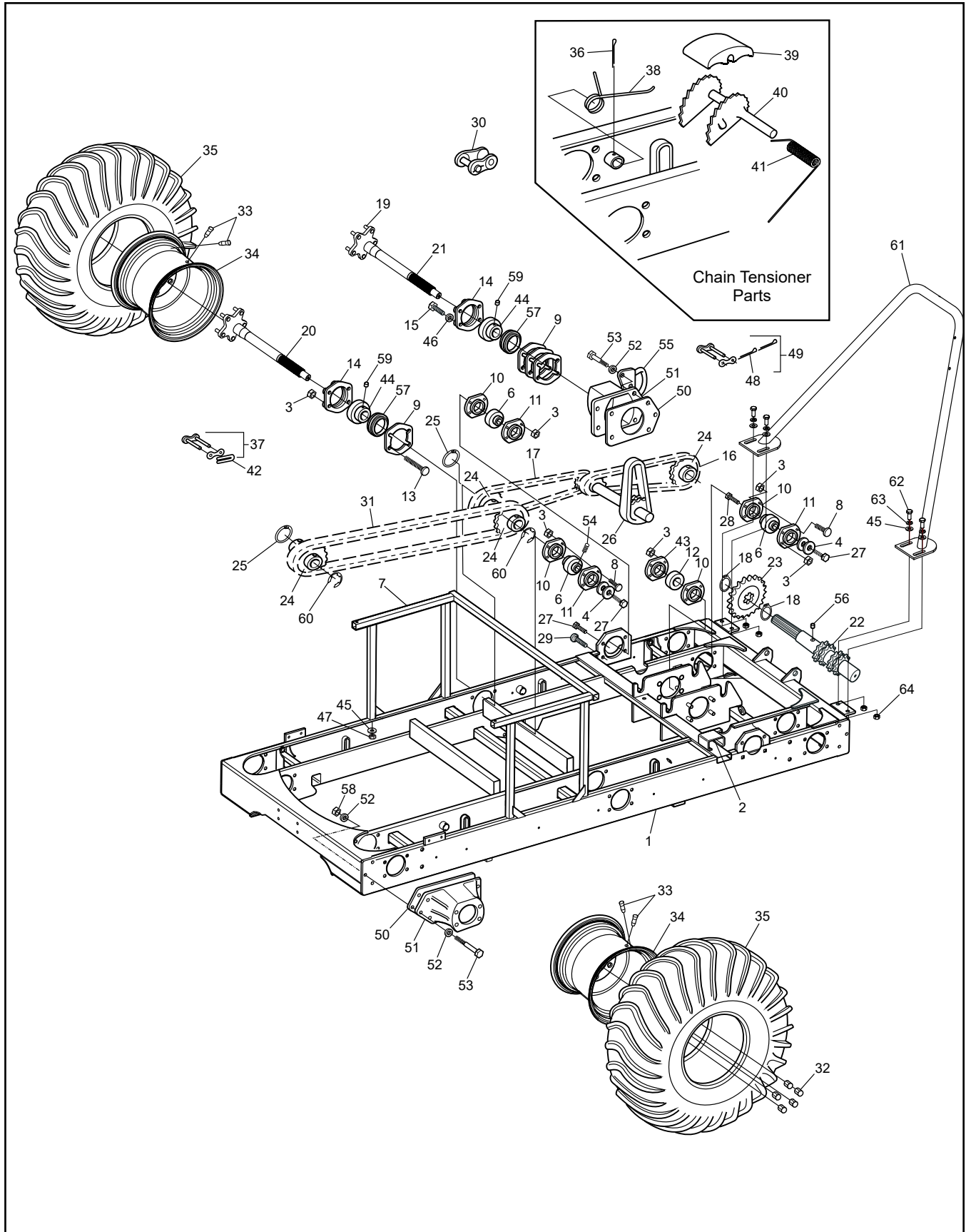
Frontier 600 6x6 Parts Manual

7.0 Vehicle Body & Firewall

Ref.	Qty.	Part #	Description	Ref.	Qty.	Part #	Description
1	1	707-43	Screen - Exhaust	43	1	603-98	Skid Plate, 6x6 - Black (if equipped)
2	1	601-130	Nameplate, "Argo"	44	1	601-105	Body & Hood, Upper - Frontier (spec. colour) (incl. 23, 33, 38)
3	2	127-45B	Knuckle, Hinge	45	109	120-09	Rivet 3/16 x 1 - Black
4	2	127-45A	Pin, Hinge	46	4	103-48	T/S Pan HD PHIL #10 x 5/8
5	1	601-103	Tube, Dash Handle, Pass.Side	47	1	613-37	Terminal Strip, Ground
6	1	601-104	Tube, Dash Handle, Driver Side	48	2	100-114	Gasket, Drain Plug
7	1	126-68	Plate, Operation	49	2	603-15	Washer, Plastic 5/16 Hole
8	1	707-42	Screen, Intake	50	2	108-01	Washer, Fender 1/4 BS x 1.25 OD
9	1	601-03CF	Seat, Rear - Left - 6x6 - CF	51	2	103-08	HHCS 1/4-20 x 1.0 Zn
10	1	100-108	Mesh, Glove Box	52	1	126-60	Vinyl Strip, 1/2" x 1/4" x 37.5'
11	2	112-313	Stud, Q-Turn 6mm x 19mm Stl	53	8	108-59	Lockwasher #10 Int. Tooth Zn
12	1	803-68	Firewall	54	9	103-47	HHCS 10-24 x 1/2
13	1	601-02CF	Seat, Rear - Right - 6x6 - CF	55	52	120-24	Rivet, 3/32 x 3/8 Alum. (all plates)
14	1	126-67	Plate, Floor Pan	56	1	104-13	Pin, Toplink - 3/4 x 2.75
15	1	127-173	Plate, Vehicle Capacity	57	1	616-16	Hitch Assembly
16	2	127-01	Reflector, Red	58	1	616-19	Tube, Hitch
17	1	803-61	Floor Pan, Rear - Frontier	59	4	103-61	HHCS 3/8-24 x 1.5 Gr5 Zn
18	1	127-141	Label, Caution - Keyswitch	60	1	104-11	Pin, Lynch - Ring
19	1	126-69	Plate, Fuel	61	1	616-20	Gasket, Rear Hitch
20	1	850-369L	Nameplate, Argo 6x6 Frontier LH	62	1	626-10	Hitch Kit
	1	850-369R	Nameplate, Argo 6x6 Frontier RH	63	2	100-109	Cup Holder Insert
21	2	601-106	Trim, Vinyl - 30" Black	64	1	127-51	Plate, Capacity 6x6
22	2	117-126	Clip, Q-Turn 6mm - Steel	65	4	117-24	Locknut, Nylon 3/8-24 Zn
23	1	602-53	Frame Ass'y, Hood - Front	66	4	108-15	Washer .42 x .81 x .05 Zn
24	1	601-05	Bumper, Vinyl - 6x6	67	2	112-51	Screw, IHWH T/C #10-24x5/8
	1	801-202	Bumper, Vinyl - 6x6, Brown - Scout	68	1	613-123	Post, Power, 5/16-18, Red
25	1	803-59	Floor Pan, Front	69	1	128-26	Grommet, 1-1/2ID x 1-3/4x1/4
26	1	603-99	Body, Lower - Frontier	70	1	127-150	Plate, Switch Mounting -3 Hole
27	2	100-107	Plug, Drain - Flanged	71	2	114-40	Washer, Stud Retainer 6mm
28	2	113-12	Insert, 1/2-13	72	1	602-68	Screen, 1 Pc Hood/Scoop
29	2	108-35	Washer .53 x 1.06 x .09 Zn	73	1	129-14	Plate, Gear Shift Pattern
30	2	112-151	HHCS 1/2-13 x 1" Gr2 Zn	74	8	112-292	T/S Washer Hd Phil #8x3/4 Blk
31	25	120-13	Rivet, 3/16 x 3/4 Black	75	1	850-371	Nameplate, Frontier
32	1	127-144	Label, Warning - HOT		1	850-372	Nameplate, Frontier S
33	2	120-15	Rivet - 1/8 x 7/16		1	850-401	Nameplate, Scout 6x6 S
34	2	602-56	Latch, Hood - Soft Draw	76	4	10081A001	Rivet, 3/16 x 0.376 - 0.500 AL
35	1	117-10	Locknut, 10-24 N/I Zn				
36	31	120-11	Rivet 5/32 x 9/16 - Black				
37	6	120-05	Washer, .19 x .50 x .04 Zn				
38	1	602-57	Hood Kit - Frontier (spec. colour) (incl. 3, 4, 34, 36, 53, 54)				
39	2	117-44	T- Nut 1/4-20 Zn				
40	90	120-04	Washer .19 x .50 x .08 Zn				
41	26	120-27	Pin, Magna Grip (if equipped)				
42	26	120-28	Collar, Magna Grip (if equipped)				

8.0 Frame and Drive System

Frontier 600 6x6 Parts Manual

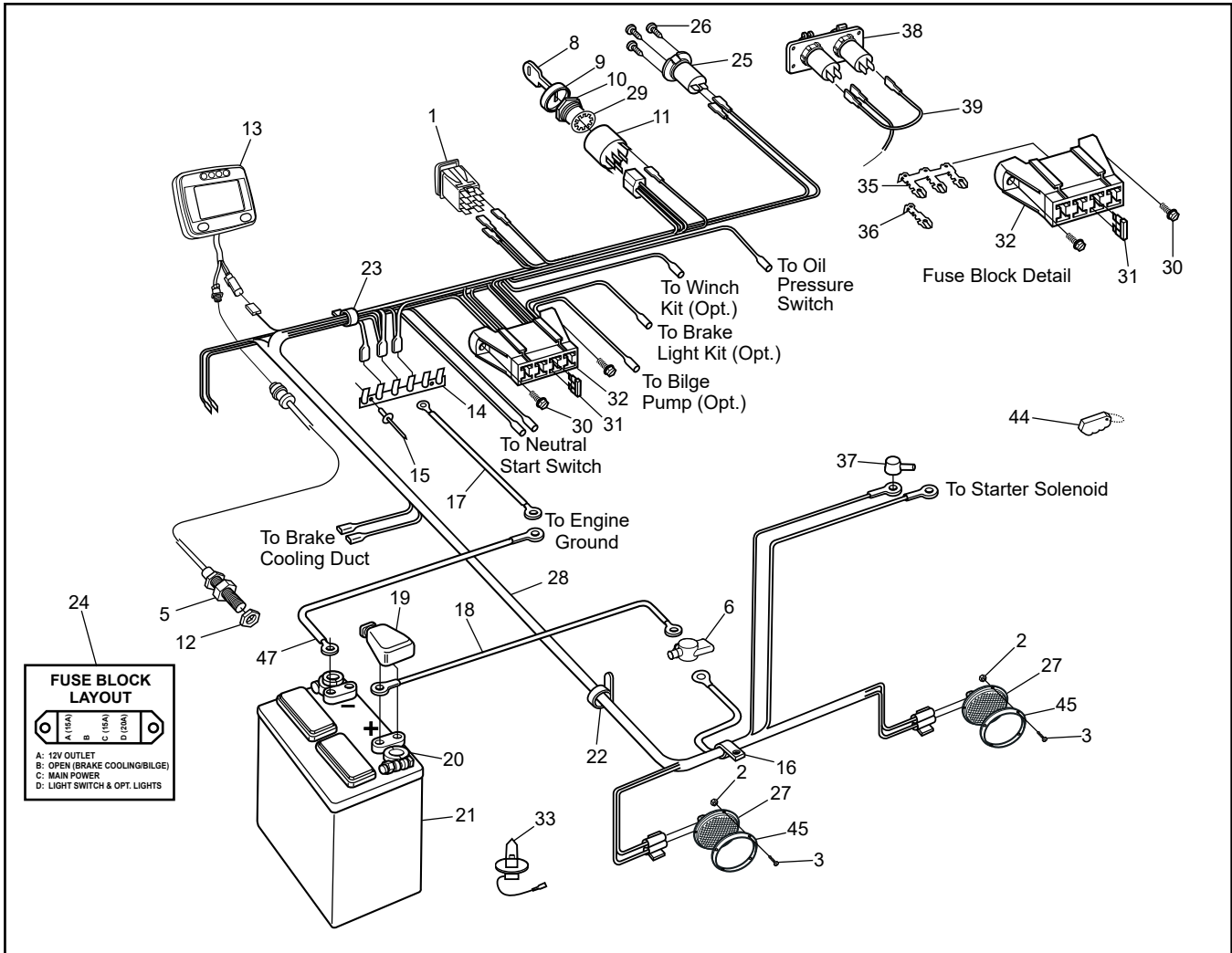


Ref.	Qty.	Part #	Description	Ref.	Qty.	Part #	Description
1	1	604-152	Frame Wldt, 6x6 Frontier	38	4	127-65	Spring Torsion - 1.16x0.35
2	2	606-43	Slide, Chain - 2-3/4"	39	4	606-44	Slider Block
3	64	117-118	Locknut, Nylon 3/8-16 Flanged	40	4	606-82	Tensioner Asm, Chain
4	12	108-46	Washer .40 x 1.37 x .12 Hi-Carbon	41	4	127-64	Spring, Torsion - .76 x 1.9
6	8	101-41	Bearing, Ball - 1.0	42	6	603-96	Spring Clip - RC 60 Closed
7	1	604-154	Frame Wldt, Seat 6x6	43	2	606-93	Flange, Greaseable - 90 Deg
8	23	103-88	C/Bolt 3/8-16 x 1.0 Gr5 Zn	44	6	101-123	Bearing, Ball -1.375 x 72mm
9	12	606-90	Gasket, Flange - 72mm	45	8	108-24	Washer .34x.70x.06 Zn
10	10	606-91	Flange - 4 Hole Hd	46	12	108-06	Lockwasher 3/8 Split-RingZn
11	8	606-92	Flange, Greasable - 4 Hole Hd	47	4	117-127	Locknut, Nylon 5/16-18 Zn
12	2	101-96	Bearing, Ball - 1.25x1.5 No Grv	48	4	104-35	Pin, Cotter 2mm x 12mm
13	24	112-187	C-Bolt 3/8-16x2.0 Gr5 Zn	49	2	127-188	Link, Con. #60 Lambda
14	6	606-88	Flange Ass'y, Outer Bearing	50	4	606-25	Gasket - Bearing Extension (if equipped)
15	16	103-68	HHCS 3/8-16 x 2.0 Gr5 Zn	51	4	810-112	Bearing Extension (w/Ref. # 52, 58) (if equipped)
16	2	606-45	Chain, RC60 - 1 x 42P (incl. Ref. 37)	52	26	108-34	Washer .47 x .94 x .06 Zn
17	2	606-46	Chain, RC60 - 1 x 64P (incl. Ref. 37)	53	20	112-181	HHCS 7/16-20 x 1.5 Gr5 Zn
18	4	107-10	Retaining Ring SH-0125-PA	54	2	112-60	SHSS 1/4-28 x 1/2 Cup Pt.
19	5x6	112-183	Stud, Wheel 7/16-20 x 1.5	55	2	642-47	Tie Down Bracket
20	2	810-123	Axle Ass'y - Forged - Mid	56	1	613-127	Magnet, Speedometer
21	4	810-122	Axle Ass'y - Forged - FR/RR	57	6	606-89	Carrier, Axle Bearing
22	2	606-78	Shaft, Idler - 10T #60 Weldment	58	6	117-32	Locknut, Nylon 7/16-20 Zn
23	2	606-81	Sprocket, Idler S60 x 20T	59	8	112-200	SHSS 5/16-24x5/16 Flat PT
24	8	805-143	Sprocket, S60 x 19T-16/32 Int	60	4	106-34	Retaining Ring, E-style 1.375
25	4	106-15	Retaining Ring SH-0137-PA	61	1	622-101	Hoop ASM, Winch-6x6
26	2	803-62	Chain, RC60-1 x 34P Idler, Lambda	62	4	112-01	HHCS 5/16-18x3/4 Gr. 5
27	10	112-31	HHCS 3/8-16 x 1.0 2B Gr8 Zn	63	4	108-05	Lockwasher, 5/16 Split Ring
28	1	103-82	HHCS 3/8-16 x 1.5 Gr5 Zn	64	4	117-03	Nut, Fin Hex 5/16-18
29	4	112-61	C/Bolt 3/8-16 x 1.25 Gr5 Zn				Tire, Rim & Valve Assemblies
30		127-80	Link, Half - RC60 - 1 (opt.)	6		125-109R	24" Tire & 8" Offset Rim, R
31	2	606-47	Chain, RC60-1 x 96P (incl. Ref. 37)	6		125-109L	24" Tire & 8" Offset Rim, L
32	5x6	117-35	Nut, Wheel 7/16-20 Zn				
33	12	125-26	Valve, Tire				
34	6	125-108	Rim - 8" Offset				
35	6	127-158	Tire, Argo 24 x 10-8				
36	4	100-01	Pin, Cotter 1/8 x 1.50 Zn				
37	1x6	603-84	Con. Link, RC60-1 H.D.				

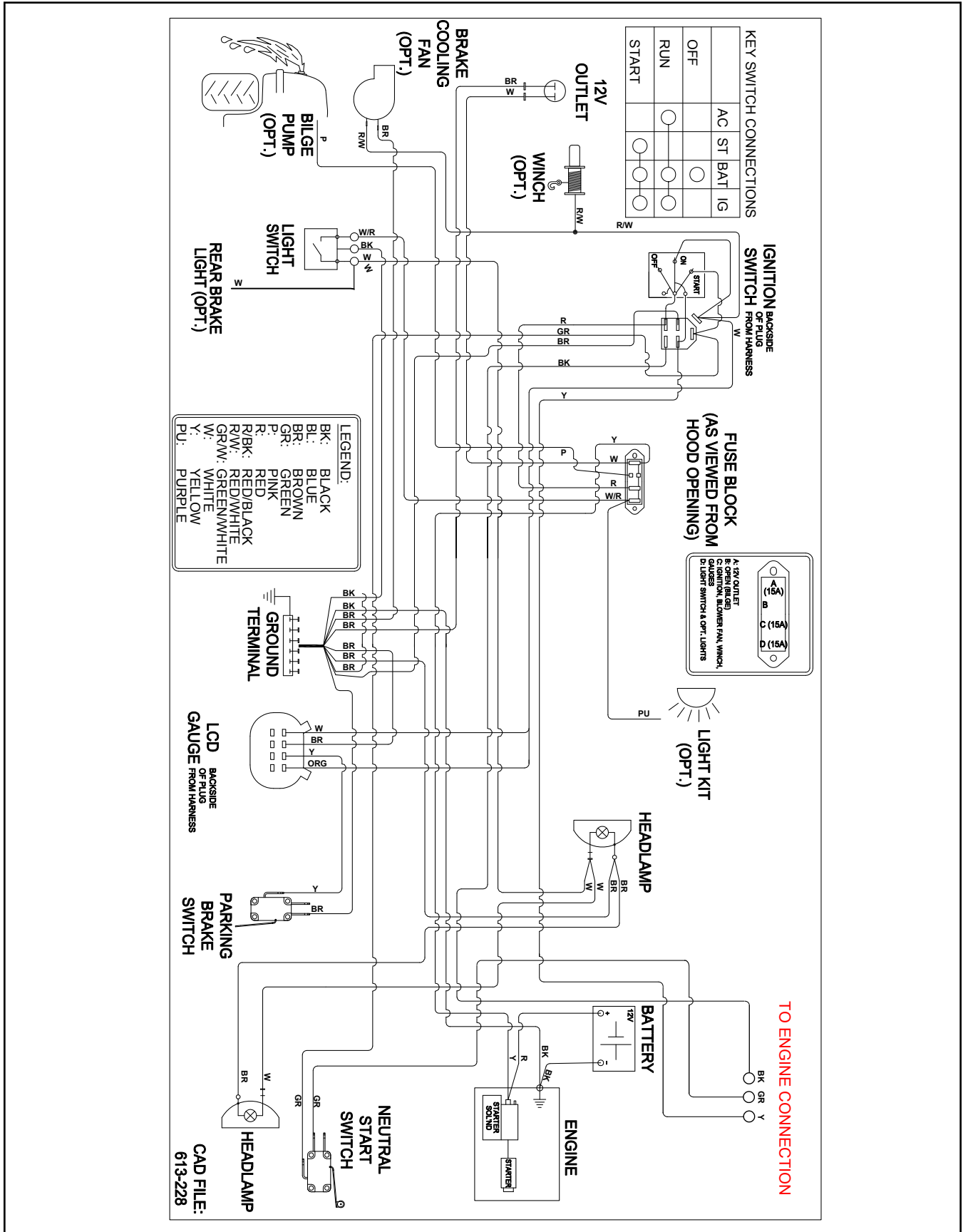
Ref.	Qty.	Part #	Description	Ref.	Qty.	Part #	Description
1	8	108-03	Lockwasher 1/4 Split Ring Zn				United States Vehicle Kit
2	1	608-74	Frame Assembly, Seat		1	127-273	
3	4	112-04	HHCS 1/4-20x3/4 Gr2 Zn		1	127-274	Label, U.S EPA EVAP
4	2	112-78	Clamp, Hose, 9/16				Approval
5	1	608-140	Fuel, Fill Neck Assembly	46	2	120-24	Rivet, Alum - 3/32 x 3/8
6	1	608-186	Weld. Adj. Backrest, Std				Black
7	1	608-39CF	Back Pad Assembly-Std				California Vehicle Kit
8	1	608-120	Tank, Fuel Low Permeation		1	127-273	
9	2	112-214	HHCS, 1/4-20 x 2.0 Gr. 5 Zinc		1	127-274	Label, U.S EPA EVAP
10	2	117-27	Locknut, TD 1/4-20 BNZ				Approval
11	1	608-54	Toolbox	39	2	120-13	Rivet - 3/16 x 3/4 Black
12	1	127-54	See Section 10.0 Electrical System	56	4	120-24	Rivet, Alum - 3/32 x 3/8
13	1	608-55	Cover, Battery		1	127-275	Label, Carb EVAP
14	1	608-88CF	Seat Assembly, Bench - CF				Approval
15	2	608-81	Hinge, Seat, Bolted	57	3.16'	126-101RM	Hose, Vent 3/16" ID
16	2	104-43	Pin, 3/16" x 1-1/8"	58	1	609-45	Carbon Canister 800cc
17	2	126-102	Bumper, Recessed Hole	59	1	609-46	Bracket, Carbon Canister
18	1	608-56	Strap, Battery	60	2	609-48	Reducer, Barbed 1/4" to 3/16"
19	17	120-09	Rivet 3/16x1 - Black	61	2	127-160-3	Hose, 1/4ID x 3/8OD - 3" Long
20	4	112-79	Clamp, Hose, 1/2" Red	62	2	120-05	Washer .19x.50x.04 Zn
21	1	808-133	Reducer, 5/16" to 1/4" Barbed	63	1	608-191	Tube, L.F. Backrest
22	8	120-04	Washer .19 x .50 x .08 Zn	64	1	608-192	Tube, R.F. Backrest
23	2	100-12	Clamp, Gear 2.25" HF-36				
24	1	125-94	Hose, Filler				
25	10	112-07	RHMS 10-24 x 1.50 Zn				
26	1	126-100	Fuel Cap, Tethered				
27	1	126-60	Vinyl Strip 1/2" x 1/4"				
28	6'	127-160RM	Tubing, 1/4 ID Clear Plastic				
29	1	609-47	Valve, Rollover				
30	10	108-42	Washer .21 x 1.0x.06 Zn				
31	14	117-10	Locknut, Nylon #10-24 Zn				
32	1	609-50	Clamp, Rollover Valve				
33	9	126-93	Clamp, Nylon Wire - 1/2" ID				
34	2	702-06	Foam Cushion				
35	2.54'	126-101RM	Hose, Vent 3/16" ID				
36	2	112-41	PHMS, Phil 1/4-20 x 1.25 Zn				
37	4	103-03	PHMS, Phil 1/4-20 x 1.50 Zn				
38	2	117-64	Insert, 1/4-20 Steel Cad Pltg.				
39	4	120-13	Rivet, 3/16 x 3/4 Black				
40	1	608-137	Plug, Push-In				
41	2"	608-69RM	Hose, Fuel - 5/16" ID Carb				
42	4	120-31	Rivet, 3/16" x 1/4, Open End				
43	1	608-127	Pick-up, Fuel, 5/16 105 Mesh				
44	1	608-136	Grommet, Fuel Return				
45	1	608-66	Hose, Fuel 1/4" ID, 80"				

10.0 Electrical System

Frontier 600 6x6 Parts Manual



Ref.	Qty.	Part #	Description	Ref.	Qty.	Part #	Description
1	1	613-153	Switch, Light	25	1	613-90	Outlet, 12 V DC
2	8	117-93	Nut, Speed #10	26	4	112-139	OHPS T/S #4 x 5/8 Black Zn
3	8	112-198	T/S Pan Hd Phil #10 x 1 Blk.	27	2	613-246	Headlight, Clear Lens
5	1	613-226	Sensor, Speedo Pickup 1 Pc.	28	1	10424C	Wire Harness, Fron B&S 20 amp
6	1	613-124	Insulator, 2 Way w/cap, Red	29	1	114-26	Lockwasher, 5/8 Int. Tooth
7	1	118-30	Terminal, Eye #10	30	2	112-51	Screw, IHWH T/C #10-24x5/8
8	2	127-108	Key, Molded	31	3	118-49	Fuse, 15 A 2-prong (AT015)
9	1	127-107	Cover, Nut	32	1	118-60	Block Fuse - 8 position (4 fuse)
10	1	127-106	Nut, Flanged - Plastic	33	2	127-46	Bulb, Headlight - Halogen
11	1	127-105	Switch - Ignition	35	1	118-63	Terminal, Fuse - Triple
12	1	117-87	Nut, M12 x 1.25, Zn	36	5	118-62	Terminal, Fuse - Single
13	1	613-130	Gauge, LCD	37	3	613-46	Insulator, Terminal (2 ga.)
14	1	613-37	Terminal Strip, Ground	38	1	118-80	Outlet, 12V & Twin USB (if equipped)
15	2	120-15	Rivet 1/8 x 7/16	39	1	613-231	Wire Harness, USB (if equipped)
16	4	127-24	Clamp, Nylon - 1" ID	44	1	681-00	FOB, Key - Floating
17	1	613-14	Wire, Ground - 14"	45	2	613-152	Bezel, Headlamp
18	1	613-94	Wire, Positive Battery	47	1	613-95	Wire, Negative Battery
19	1	127-55	Cap, Battery Terminal - Red				
20	2	127-56	Terminal, Battery Post				
21	1	127-54	Battery, Exide 45-60				
	1	613-161	Battery, Optima - Argo (Opt.)				
22	8	100-64	Tie Wrap - 5.5" - Black				
23	13	126-93	Clamp, Nylon Wire - 1/2" ID				
24	1	127-154	Label, Fuse Panel				



ARGO Products Manufactured by:

Ontario Drive & Gear Limited

220 Bergey Court

New Hamburg, Ontario

Canada N3A 2J5

Phone: (519) 662-2840

Fax: (519) 662-2421

www.argoxtv.com

ODG *Dedicated to quality and performance*