

***Conquest***



# ***Argo 8x8***

## **PARTS MANUAL**

***8x8 XTi***

***Outfitter XTi***

***8x8 XTd***

***Outfitter XTi-Z***

***Explorer XTi***

***Conquest 8x8i***

***Explorer XTd***

***Conquest 8x8d***

***Lineman XTi***

From Serial # ...39206

# Foreword

ODG has prepared this parts manual for the Conquest models to assist both qualified mechanics and vehicle owners in ordering correct, quality replacement ARGO parts. For the most current parts manual visit our website at [www.argoxtv.com](http://www.argoxtv.com).

Proper and regular service, and replacing old, worn or broken parts with the correct ARGO replacement parts, are both essential to prolonging the life of the ARGO. Please refer to this parts manual and/or our website [www.argoxtv.com](http://www.argoxtv.com) before ordering any replacement part.

All information contained in this Conquest Parts Manual is based on the latest product specification available at time of printing. If your Conquest differs from the specifications contained in this manual, check our website [www.argoxtv.com](http://www.argoxtv.com) for the most current information.

ODG reserves the right to alter specifications on the Conquest models at any time, without obligation or prior notification.

Reproduction of this Conquest Parts Manual, in whole or in part, is prohibited without prior written permission from Ontario Drive & Gear Limited.

## Vehicle Identification

**Conquest** - Serial Nos. ...39206

## Explanation of Parts Manual Format

**Ref** - Reference number between assembly diagram and component parts list

**Part No.** - Argo replacement part number for identification and re-ordering

**Description** - Part description for identification and re-ordering

**Qty** - Indicates the quantity of a part used in an assembly

# Conquest



## Using the Parts Manual

1. Find the major vehicle assembly in the Table of Contents on this page, and turn to that section.
2. Locate the part in the illustration that you wish to order.
3. Refer to the parts list in that section.
4. Find the correct part number (Part No.), part description (Description) and correct quantity (Qty).
5. Use *only* this information to order ARGO replacement parts. **DO NOT** attempt to order a replacement part by reference number or page number.

## Table of Contents

Foreword .....	i
Vehicle Identification.....	i
Using the Parts Manual .....	ii
1.0 Upper Frame .....	2
2.0 Frame and Body.....	6
3.0 Axle Assembly .....	8
4.0 Chain Tensioners.....	9
5.0 Clutch System .....	10
6.0 Intake and Exhaust System.....	12
7.0 Power Pack Assembly .....	16
8.0 Transmission .....	20
8.1 Transmission Sub-Assemblies .....	22
9.0 Steering & Brake System .....	24
10.0 Parking Brake .....	26
11.0 Alternator.....	28
12.0 Fuel System & Seat Assembly .....	30
13.0 Electrical System.....	34
14.0 Outfitter.....	40
15.0 Lineman.....	42
16.0 Accessories .....	44

# Conquest Parts Manual

## Conquest Vehicle Matrix

Old Model	XTI	XTI	XTD	XTD
Model	Conquest 8x8 XTi	Conquest 8x8 i	Conquest 8x8 XTd	Conquest 8x8 d
<b>Accessory</b>				
Alternator	Yes	Yes	Yes	Yes
Bilge Pump	Yes	Yes	Yes	Yes
Brushguard	Yes		Yes	
Build Package				
Capstan				
Chain Lubrication	Yes		Yes	
127-137HD Drive Belt	Yes	Yes	Yes	Yes
Dump Box				
Engine	30 HP	30 HP	24 HP Diesel	24 HP Diesel
Entry Step				
Front Cargo Racks				
Gun Rack				
Headlights				
Heated Hand Grips				
Heater				
Mesh				
Receiver Winch	Yes		Yes	
Roof				
ROPS				
Seats				
Skid Plate	Yes	Yes	Yes	Yes
Spot Light				
Stretcher				
Strobe Light				
Tires	25 Argo	25 Argo	25 Argo	25 Argo
Transmission	Standard	Standard	Standard	Standard
Vice				
Winch	Yes		Yes	
Windshield				
Wiper				



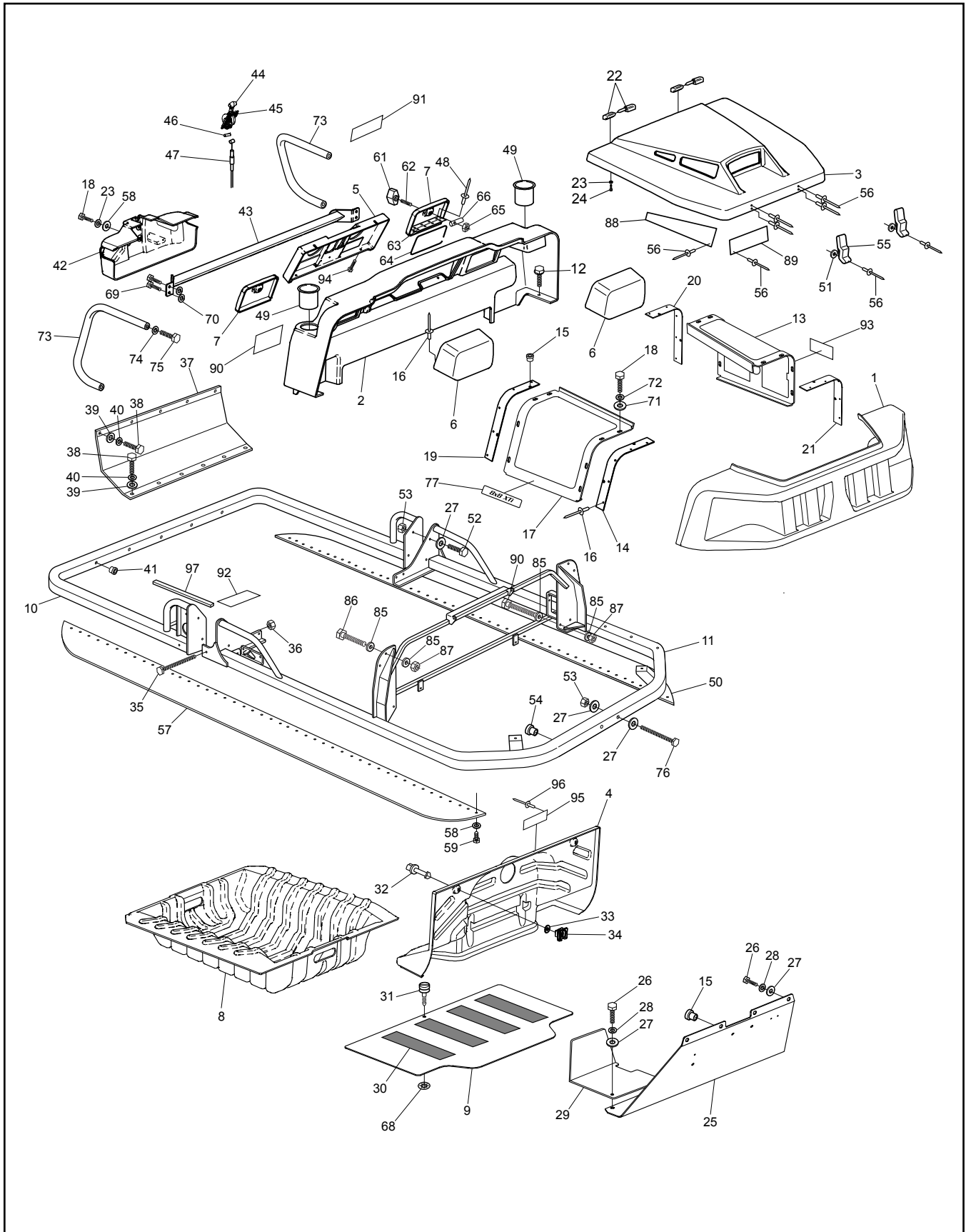
# Conquest Parts Manual

## Conquest Vehicle Matrix

Old Model	XTI	XTD	XTI	XTI	XTI
Model	Conquest 8x8 Explorer XTi	Conquest 8x8 Explorer XTd	Conquest 8x8 Outfitter XTi	Conquest 8x8 Outfitter XTi-Z	Conquest 8x8 Lineman XTi
<b>Accessory</b>					
Alternator	Yes	Yes	Yes	Yes	Yes
Bilge Pump	Yes	Yes	Yes	Yes	Yes
Brushguard	Yes	Yes	Yes	Yes	Yes
Build Package	Explorer	Explorer	Outfitter	Outfitter	Lineman
Capstan					Yes
Chain Lubrication	Yes	Yes	Yes	Yes	Yes
127-137HD Drive Belt	Yes	Yes	Yes	Yes	Yes
Dump Box	Yes	Yes			
Engine	30 HP	24 HP Diesel	30 HP	30 HP	30 HP
Entry Step			Yes	Yes	
Front Cargo Racks			Yes	Yes	
Gun Rack			Yes	Yes	
Headlights			Hi - Low Beam	Hi - Low Beam	LED Flood
Heated Hand Grips	Yes	Yes	Yes	Yes	Yes
Heater				Yes	
Mesh	Yes	Yes			Yes
Receiver Winch	Yes	Yes	Yes	Yes	Yes
Roof	Yes	Yes			Yes
ROPS	Yes	Yes			Yes
Seats			Wilderness	Wilderness	
Skid Plate	Yes	Yes	Yes	Yes	Yes
Spot Light					Yes
Stretcher					Yes
Strobe Light	Yes	Yes			Yes
Tires	25 Argo	25 Argo	25 Argo	25 Argo	25 Argo
Transmission	Standard	Standard	Standard	Standard	Standard
Vice					Yes
Winch	Yes	Yes	Yes	Yes	Yes
Windshield	Yes	Yes			Yes
Wiper	Yes	Yes			Yes

# 1.0 Upper Frame - XTI

# Conquest Parts Manual



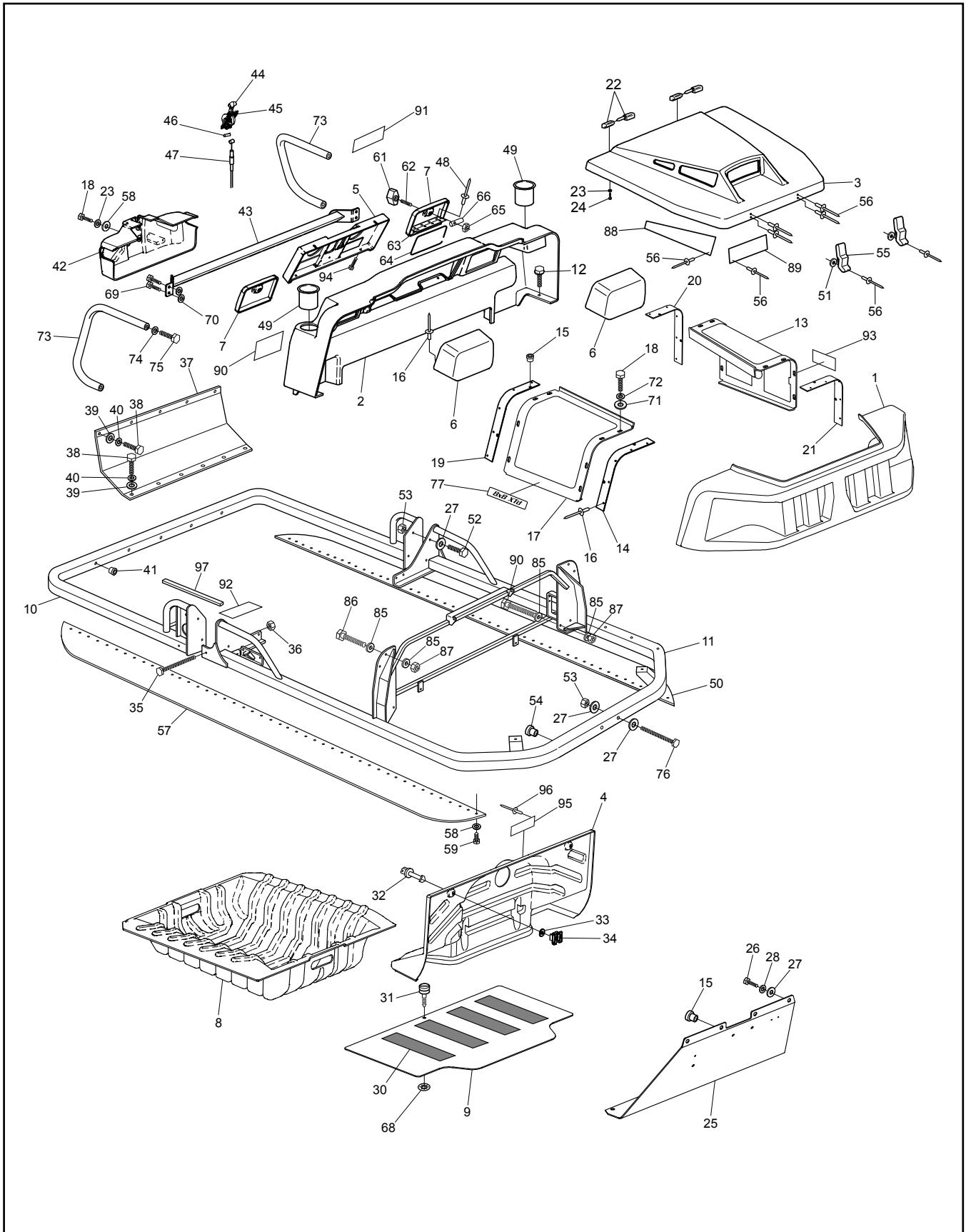
# Conquest Parts Manual

# 1.0 Upper Frame - XTI

Ref.	Qty.	Part #	Description	Ref.	Qty.	Part #	Description
1	1	951-01	Body, Upper Nose - XT**	51	4	120-05	Washer .19x.50x.04 Zn
2	1	951-02	Body, Upper Dash - XT**	52	4	112-93	HHCS M10 x 1,5 x 25mm
3	1	951-03	Hood, XT**	53	6	117-60	Locknut, Nyloc M10 x 1.5mm Zn
4	1	951-04	Firewall - XT	54	4	117-70	Insert, M10 x 1.5-13.5mm OD
5	1	951-06	Panel, Dash Console - XT	55	2	602-56	Latch, Hood - Soft Draw
6	2	951-07	Glovebox - XT	56	22	120-11	Rivet, 5/32 x .157-.472
7	2	951-08	Cover, Glovebox - XT	57	1	801-195	Mud Flap, 7" Wide XT, RH
8	1	951-12	Floorpan, XT	58	98	108-08	Washer .28 x .62 x .04 Zn
9	1	953-05	Floor Plate, Front, XT	59	94	112-125	Screw, Self-Drilling 12-14 x 1.5" Zn
10	1	950-33	Upper Frame, Rear Weldt - XT	60	8	120-14	Rivet - 3/16 x 5/8 Black
11	1	950-06	Upper Frame Weldt, XT	61	2	126-104	Knob, 2 Arm, 1/4"-20 Insert
12	10	112-204	Screw, Self Drilling 12-14x1	62	2	126-105	Stud, 1/4-20 x 1.75 Lg
13	1	950-40	Screen Ass'y - LH XT	63	2	126-106	Hinge, Plastic, 1-1/2x6-1/2
14	1	952-233	Bracket, Screen Ass'ySupport - RH FR	64	2	126-107	Seal, Bulb, XT Glovebox
15	22	117-79	Insert, M6 x 1,0 -10mm OD	65	2	117-102	Nut, Jam, 1/4-20
16	20	120-13	Rivet - 3/16 X 3/4 Black	66	2	953-34	Pin, Glovebox Catch, XT
17	1	950-41	Screen Ass'y - RH XT	67	2	117-27	Locknut, Nylon 1/4-20 Zn
18	12	112-212	HHCS M6 x 1,0 x 25mm Black Zn	68	1	127-120	Retainer, Fast Lead Screw - Large
19	1	952-234	Bracket, Screen Ass'y Support - RH RR	69	4	112-63	HHCS M8x1,25x35mm Gr5 Zn
20	1	952-232	Bracket, Screen Ass'y Support - LH RR	70	4	117-77	Locknut, Nylon - M8x1,25mm Zn8
21	1	952-231	Bracket, Screen Ass'y Support - LH FR	71	22	108-104	Washer, 0.28 ID x 1.0 OD x 0.13, Black
22	2	127-88L	Hinge, Engine Cover	72	22	108-105	Lockwasher, 1/4 Split, Blk Zn
23	12	108-03	Lockwasher 1/4 Split Ring Zn	73	2	953-33	Handle, Grab, XT
24	8	112-220	HHCS M6 x 1,0 x 20mm	74	4	108-35	Washer .53x1.06x.09 Zn
25	1	953-04	Support, Front, XT	75	4	112-151	HHCS 1/2-13x1" Gr2 Zn
26	10	112-133	HHCS M10 x 1,5 x 35mm Zn	76	2	112-120	HHCS M10x1,5x80mm Zn
27	14	108-15	Washer .42 x .81 x .05 Zn	77	2	850-392	Nameplate, Conquest XTi
28	10	108-67	Lockwasher M10 Split-Ring Zn	2	2	850-394	Nameplate, Explorer XTi
29	1	850-227	Shield, Alternator XT	2	2	850-396	Nameplate, Outfitter XTi
30	4ft	127-183RM	Tape, Non-Slip-4 WD x 60ft LG	2	2	850-397	Nameplate, Outfitter XTi-Z
31	1	112-136	Screw, Fastlead - Large	2	2	850-398	Nameplate, Lineman XTi
32	2	112-312	Stud, Q-Turn 6mm x 15mm Stl	2	2	850-404	Nameplate, Conquest 8x8 i
33	2	114-40	Washer, Stud Retainer 6mm	85	16	108-102	Washer, 0.67x1.18x0.12, Zn*
34	2	117-126	Clip, Q-Turn 6mm - Steel	86	4	112-208	HHCS M16x2x50mm GrZn*
35	2	112-205	HHCS M12 x 1.75 x 80mm Zn	87	4	117-76	Locknut, Nylon M16x2,0 Zn*
36	2	112-206	Locknut, Nylon, M12 x 1.75 Zn	88	2	953-30	Screen, Side Hood, XT
37	1	953-41	Brace, Rear - XT	89	1	953-31	Screen, Front Hood, XT
38	11	112-20	HHCS M8 x 1,25 x 25mm Zn	90	1	126-68	Plate, Operation
39	11	108-24	Washer .34 x .70 x .06 Zn	91	1	127-238	Label, Capacity - XTI
40	11	108-05	Lockwasher 5/16 Split-Ring Zn	92	1	126-69	Plate, Fuel
41	5	117-69	Insert, M8x1.25-13.5 mm OD	93	1	127-144	Label, Warning HOT
42	1	951-05	Cover, Steering Assembly - XT	94	4	112-182	HHCS 10-24 x .75 Zn
43	1	950-10	Weldt, Steering Bar	95	1	129-01	Plate, Geared By ODG
44	1	127-212	Pivot, Hi-Lo Shifter	96	4	120-13	Rivet - 3/16 x 3/4 Black
45	1	127-211	Bracket, Hi-Lo Shifter	97	.5	953-96RM	Trim, Neoprene W/Glue
46	1	104-66	Pin, HD Shift Cable Threaded				* If equipped
47	1	127-223	Cable, Hi-Lo Shift Threaded				** Specify colour
48	16	120-09	Rivet - 3/16 x 1.0 Black				
49	2	100-109	Cup Holder Insert				
50	1	801-196	Mud Flap, 7" Wide XT, LH				

# 1.0 Upper Frame - XTD

# Conquest Parts Manual

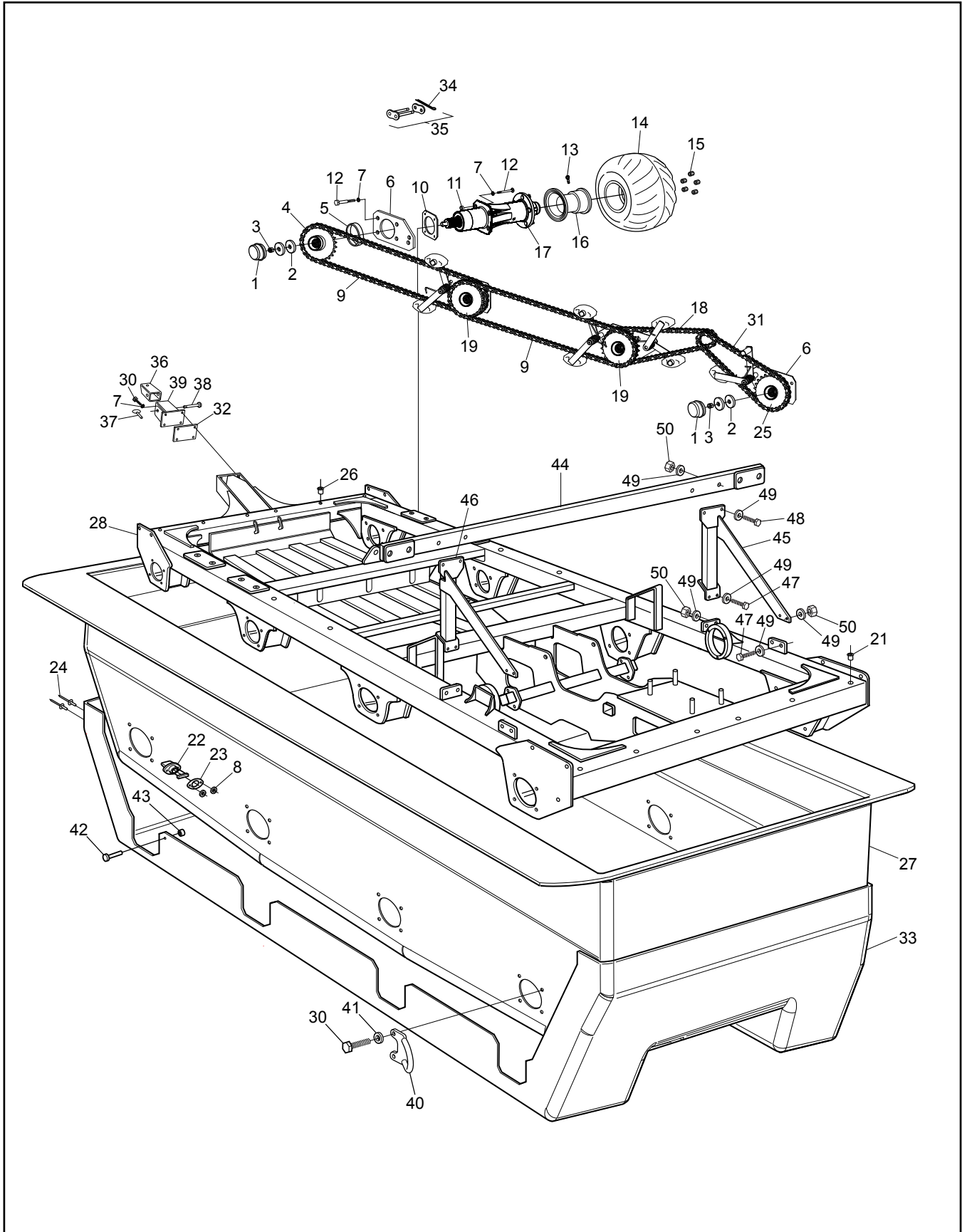


# Conquest Parts Manual

# 1.0 Upper Frame - XTD

Ref.	Qty.	Part #	Description	Ref.	Qty.	Part #	Description
1	1	951-01	Body, Upper Nose - XT**	52	4	112-93	HHCS M10 x 1,5 x 25mm
2	1	951-02	Body, Upper Dash - XT**	53	6	117-60	Locknut, Nyloc M10x1.5mm Zn
3	1	951-03	Hood, XT**	54	4	117-70	Insert, M10 x 1.5-13.5mm OD
4	1	951-04	Firewall - XT	55	2	602-56	Latch, Hood - Soft Draw
5	1	951-06	Panel, Dash Console - XT	56	22	120-11	Rivet, 5/32 x .157-.472
6	2	951-07	Glovebox - XT	57	1	801-195	Mud Flap, 7" Wide XT, RH
7	2	951-08	Cover, Glovebox - XT	58	98	108-08	Washer .28 x .62 x .04 Zn
8	1	951-12	Floorpan, XT	59	94	112-125	Screw, Self-Drilling 12-14 x 1.5" Zn
9	1	953-05	Floor Plate, Front, XT	60	8	120-14	Rivet - 3/16 x 5/8 Black
10	1	950-33	Upper Frame, Rear Weldt XT	61	2	126-104	Knob, 2 Arm, 1/4"-20 Insert
11	1	950-06	Upper Frame Weldt, XT	62	2	126-105	Stud, 1/4-20 x 1.75 Lg
12	10	112-204	Screw, Self Drilling 12-14x1	63	2	126-106	Hinge, Plastic, 1-1/2x6-1/2
13	1	950-40	Screen Ass'y - LH XT	64	2	126-107	Seal, Bulb, XT Glovebox
14	1	952-233	Bracket, Screen Ass'ySupport - RH FR	65	2	117-102	Nut, Jam, 1/4-20
15	22	117-79	Insert, M6 x 1,0 -10mm OD	66	2	953-34	Pin, Glovebox Catch, XT
16	20	120-13	Rivet - 3/16 X 3/4 Black	67	2	117-27	Locknut, Nylon 1/4-20 Zn
17	1	950-41	Screen Ass'y - RH XT	68	1	127-120	Retainer, Fast Lead Screw - Large
18	12	112-212	HHCS M6 x 1,0 x 25mm Black Zn	69	4	112-63	HHCS M8x1,25x35mm Gr5 Zn
19	1	952-234	Bracket, Screen Ass'y Support - RH RR	70	4	117-77	Locknut, Nylon - M8x1,25mm Zn8
20	1	952-232	Bracket, Screen Ass'y Support - LH RR	71	22	108-104	Washer, 0.28 ID x 1.0 OD x 0.13, Black
21	1	952-231	Bracket, Screen Ass'y Support - LH FR	72	22	108-105	Lockwasher, 1/4 Split, Blk Zn
22	2	127-88L	Hinge, Engine Cover	73	2	953-33	Handle, Grab, XT
23	12	108-03	Lockwasher 1/4 Split Ring Zn	74	4	108-35	Washer .53x1.06x.09 Zn
24	8	112-220	HHCS M6 x 1,0 x 20mm	75	4	112-151	HHCS 1/2-13x1" Gr2 Zn
25	1	953-04	Support, Front, XT	76	2	112-120	HHCS M10x1,5x80mm Zn
26	8	112-133	HHCS M10 x 1,5 x 35mm Zn	77	2	850-393	Nameplate, Conquest XTd
27	12	108-15	Washer .42 x .81 x .05 Zn	2	2	850-395	Nameplate, Explorer XTd
28	8	108-67	Lockwasher M10 Split-Ring Zn	2	2	850-405	Nameplate, Conquest 8x8 d
30	4ft	127-183RM	Tape, Non-Slip-4 WD x 60ft LG	85	24	108-102	Washer, 0.67x1.18x0.12, Zn*
31	1	112-136	Screw, Fastlead - Large	86	4	112-208	HHCS M16x2x50mm Gr Zn*
32	2	112-312	Stud, Q-Turn 6mm x 15mm Stl	87	8	117-76	Locknut, Nylon M16x2,0 Zn*
33	2	114-40	Washer, Stud Retainer 6mm	88	2	953-30	Screen, Side Hood, XT
34	2	117-126	Clip, Q-Turn 6mm - Steel	89	1	953-31	Screen, Front Hood, XT
35	2	112-205	HHCS M12 x 1.75 x 80mm Zn	90	4	112-207	HHCS M16x2x70mm Gr8.8 Zn
36	2	112-206	Locknut, Nylon, M12 x 1.75 Zn	90	1	126-68	Plate, Operation
37	1	953-41	Brace, Rear - XT	91	1	127-291	Label, Capacity - XTD
38	11	112-20	HHCS M8 x 1,25 x 25mm Zn	92	1	126-69	Plate, Fuel
39	11	108-24	Washer .34 x .70 x .06 Zn	93	1	127-144	Label, Warning HOT
40	11	108-05	Lockwasher 5/16 Split-Ring Zn	94	4	112-182	HHCS 10-24 x .75 Zn
41	5	117-69	Insert, M8x1.25-13.5 mm OD	95	1	129-01	Plate, Geared By ODG
42	1	951-05	Cover, Steering Assembly - XT	96	4	120-13	Rivet - 3/16 x 3/4 Black
43	1	950-10	Weldt, Steering Bar	97	.5	953-96RM	Trim, Neoprene W/Glue
44	1	127-212	Pivot, Hi-Lo Shifter				
45	1	127-211	Bracket, Hi-Lo Shifter				
46	1	104-66	Pin, HD Shift Cable Threaded				
47	1	127-223	Cable, Hi-Lo Shift Threaded				
48	16	120-09	Rivet - 3/16 x 1.0 Black				
49	2	100-109	Cup Holder Insert				
50	1	801-196	Mud Flap, 7" Wide XT, LH				
51	4	120-05	Washer .19x.50x.04 Zn				

\* If equipped  
\*\* Specify colour

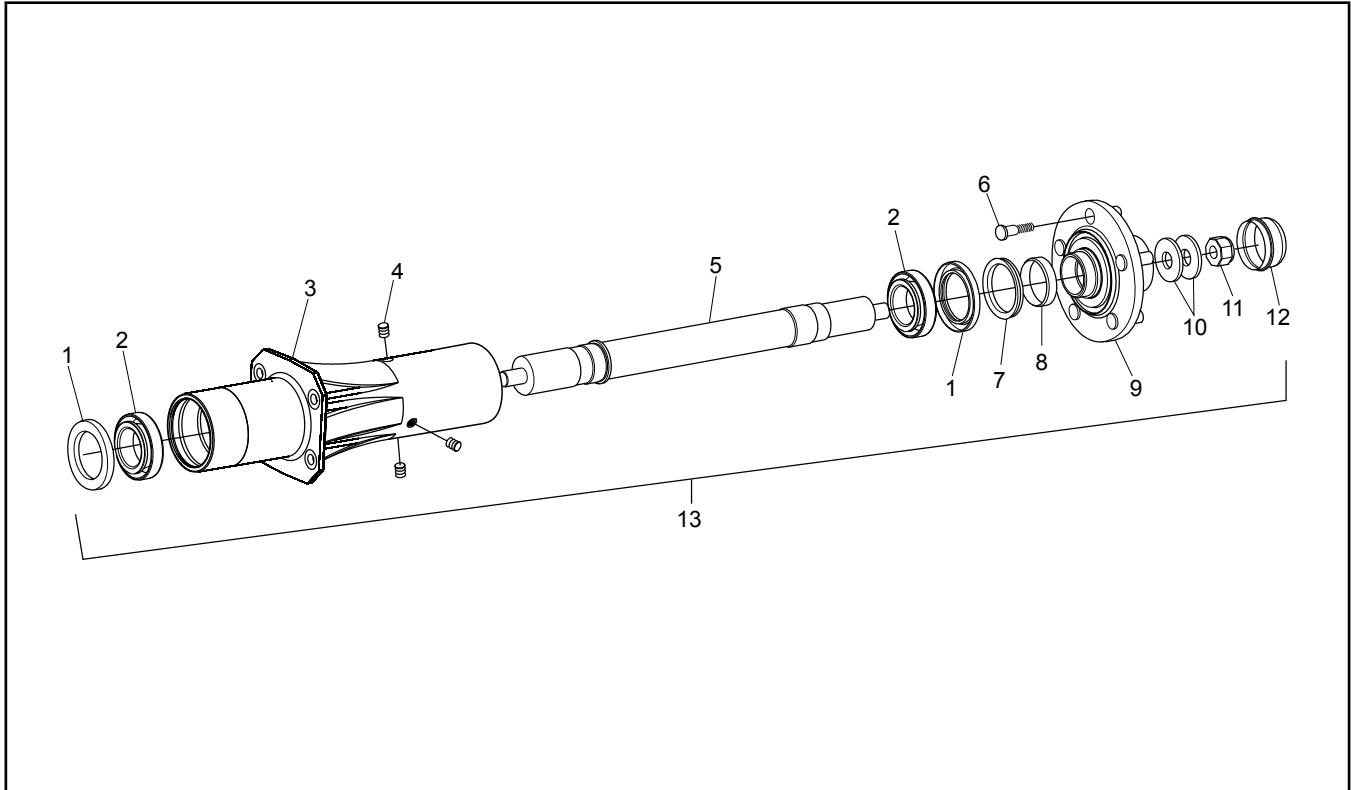




Ref.	Qty.	Part #	Description
1	8	805-120	Cap, Bearing Dust - 2.0 Plated
2	16	108-40	Washer .68 x 1.77 x .16 Zn
3	8	117-72	Locknut, Nylon - M16 x 1,5 Zn
4	2	805-136	Sprocket Asm, Rear -S60 x 24T
5	8	805-108	Bushing, 1.97 Od, 1.82 Id x .46
6			<b>See Section 5.0 Chain Tensioners</b>
7	68	108-67	Lockwasher M10 Split Ring Zn
8	4	120-04	Washer .19 x .50 x .08 Zn
9	4	953-16	Chain, RC60-1-HD X 96P
10	8	805-121	Gasket, Flange
11	32	805-114	Bushing .75 x .58 x .25 Zn
12	60	112-133	HHCS M10 x 1,5 x 35mm Zn
13	8	125-26	Valve, Tire
14	8	127-182	Tire, Argo 25 x 12-9
15	40	117-74	Nut, Wheel M12 x 1,25 Zn
16	8	127-61BL	Rim - 10 x 9 -Black
17	8	805-133	Axle Asm, Centaur
18	2	953-15	Chain, RC60-1-HD x 58P
19	4	805-135	Sprocket Asm, Mid - S60 x 2 x 24T
20		126-60	Vinyl Strip 1/2" x 1/4"
21	10	117-70	Insert, M10 x 1.5-13.5mm OD
22	2	100-107	Plug, Drain - Flanged
23	2	100-114	Gasket, Drain Plug
24	4	120-09	Rivet 3/16 x 1 - Black
25	2	805-137	Sprocket Asm, Front - S60 x 24T
26	6	117-69	Insert, M8 x 1.25-13.5mm OD
27	1	951-15	Body, Lower - XTI
28	1	950-05	Frame Asm, XTI
	1	950-38	Frame, Chassis - XTD
	1	958-274	Wldt, Frame, Outfitter
29		953-32	Link, 2P Offset, RC60HD
30	8	112-92	HHCS M10 x 1,5 x 40mm Zn
31	2	953-14	Chain, RC60-1-HD x 54P
32	1	616-20	Gasket, Rear Hitch
33	1	801-123SKD	Skid Plate - Centaur
34		100-116	Pin, Cotter - .09 x .63
35		953-12	Link, RC60-1-HD, Slip Fit
36	1	616-19	Tube, Hitch
37	1	104-11	Pin, Lynch
38	1	104-13	Pin, Top Link
39	1	616-16	Hitch Draw Bar Assembly
40	2	642-84	Tie Down
41	8	108-15	Washer .42x.81x.05 Zn
42	36	120-27	Pin, Magna Grip, Black Zn
43	36	120-28	Collar, Magna Grip Zinc Dichro
44	1	956-04	Support, ROPS, Horizontal
45	1	956-05	Support, ROPS Vertical, LH
46	1	956-06	Support, ROPS Vertical, RH
47	4	112-93	HHCS M10 x 1,5 x 25mm
48	4	112-22	HHCS M10 x 1,5 x 35mm
49	24	108-101	Washer, 10mm, DIN125A
50	12	117-60	Locknut, Nyloc M10 x 1.5mm Zn8
51	8	117-76	Locknut, Nylon - M16 x 1.5 Zn

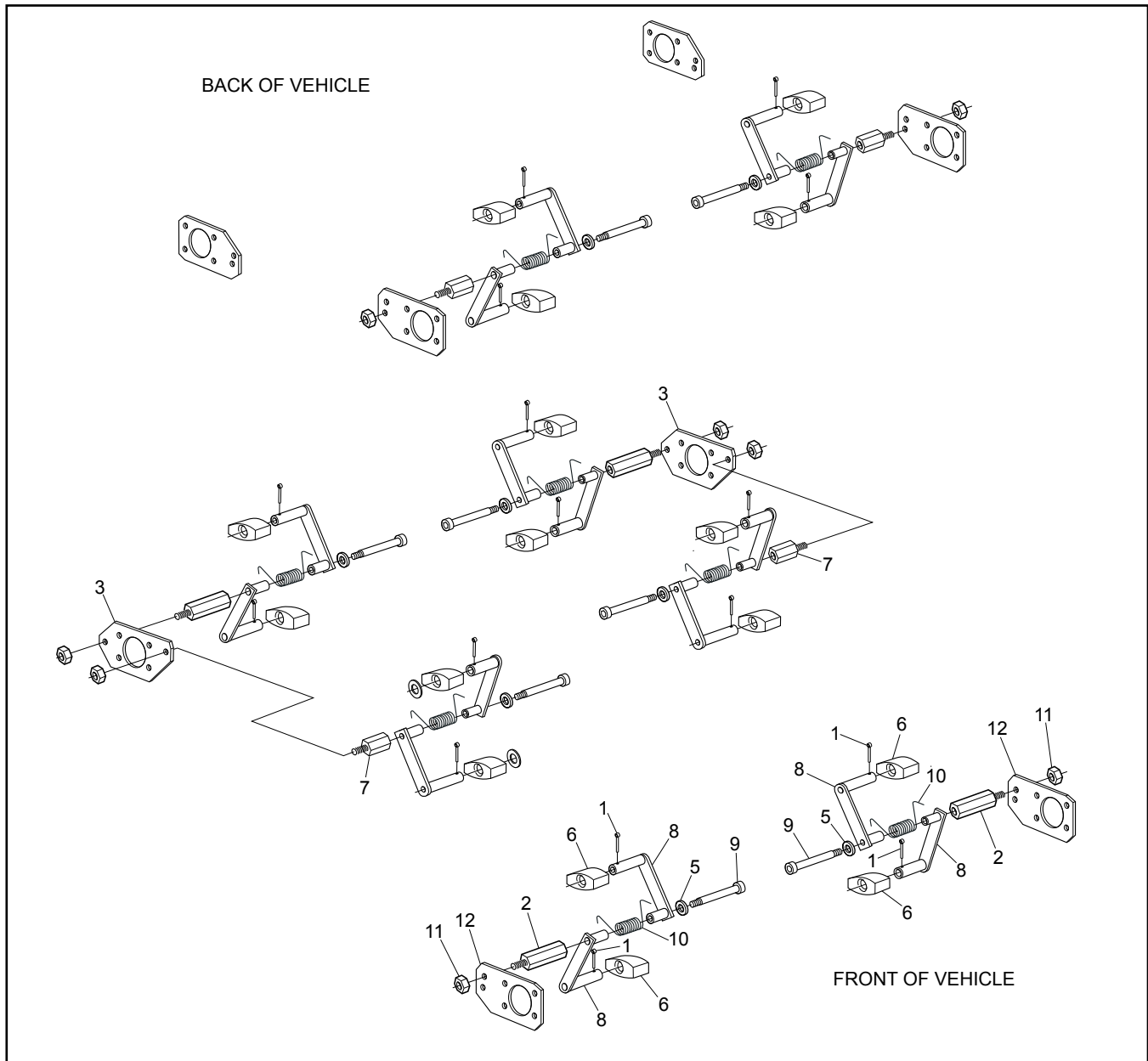
### 3.0 Axle Assembly

### Conquest Parts Manual



Ref.	Qty.	Part #	Description
1	2	102-27	Seal, Oil 50x72x8 Dbl Lip
2	2	101-76	Bearing, Tapered Roller 32008X
3	1	805-132	Housing Asm, Axle
4	3	127-85	Plug, Drain - M10 x 1,0
5	1	805-106	Axle -17T Spline
6	5	112-81	Stud, Wheel - M12 x 1,25R Zn
7	1	102-28	Seal, Oil V-ring 50mm
8	1	805-108	Bushing, 1.97 OD, 1.82 ID x .46
9	1	805-107	Hub, Wheel
10	2	108-40	Washer .68x1.77x.16 Zn
11	1	117-72	Locknut, Nylon - M16 x 1,5 Zn
12	1	805-120	Cap, Bearing Dust - 2.0 Plated
13	8	805-133	Axle Ass'y

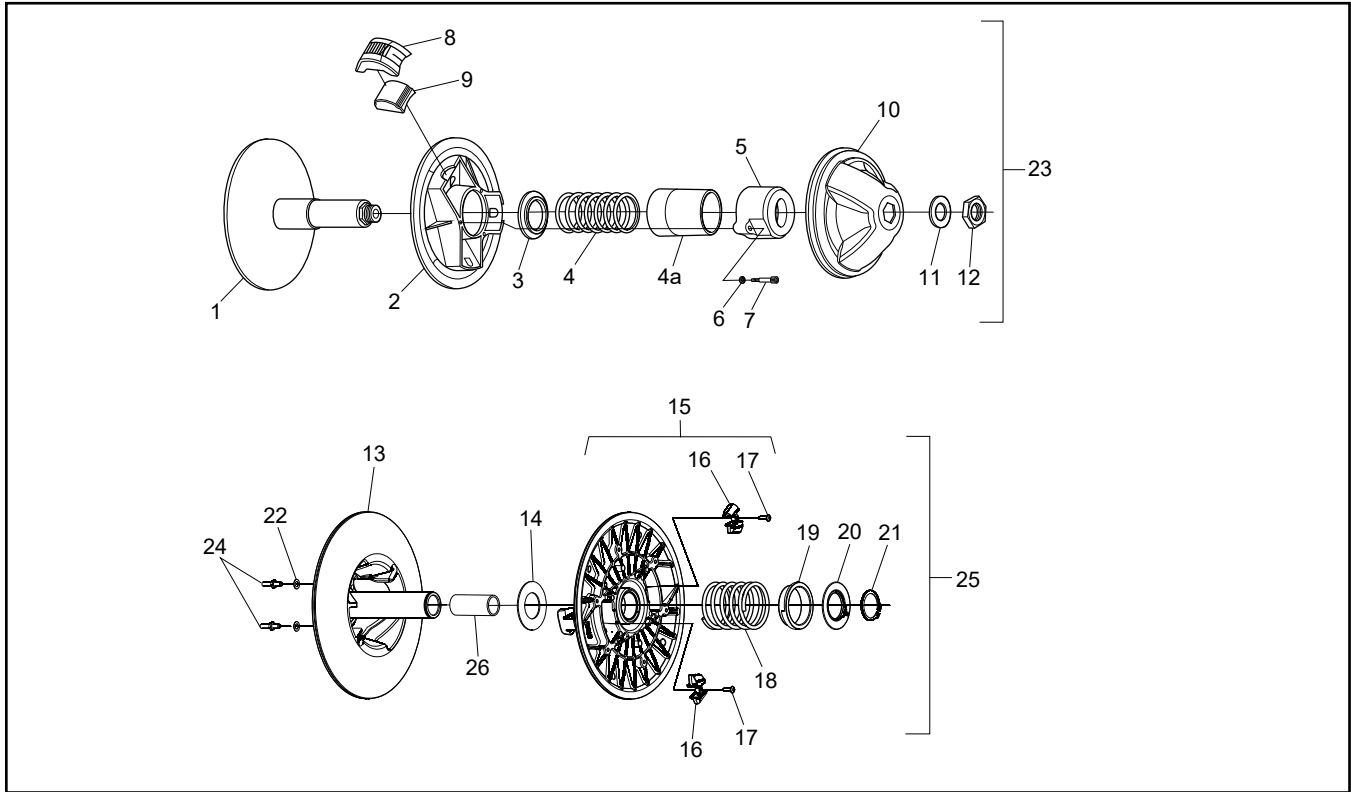




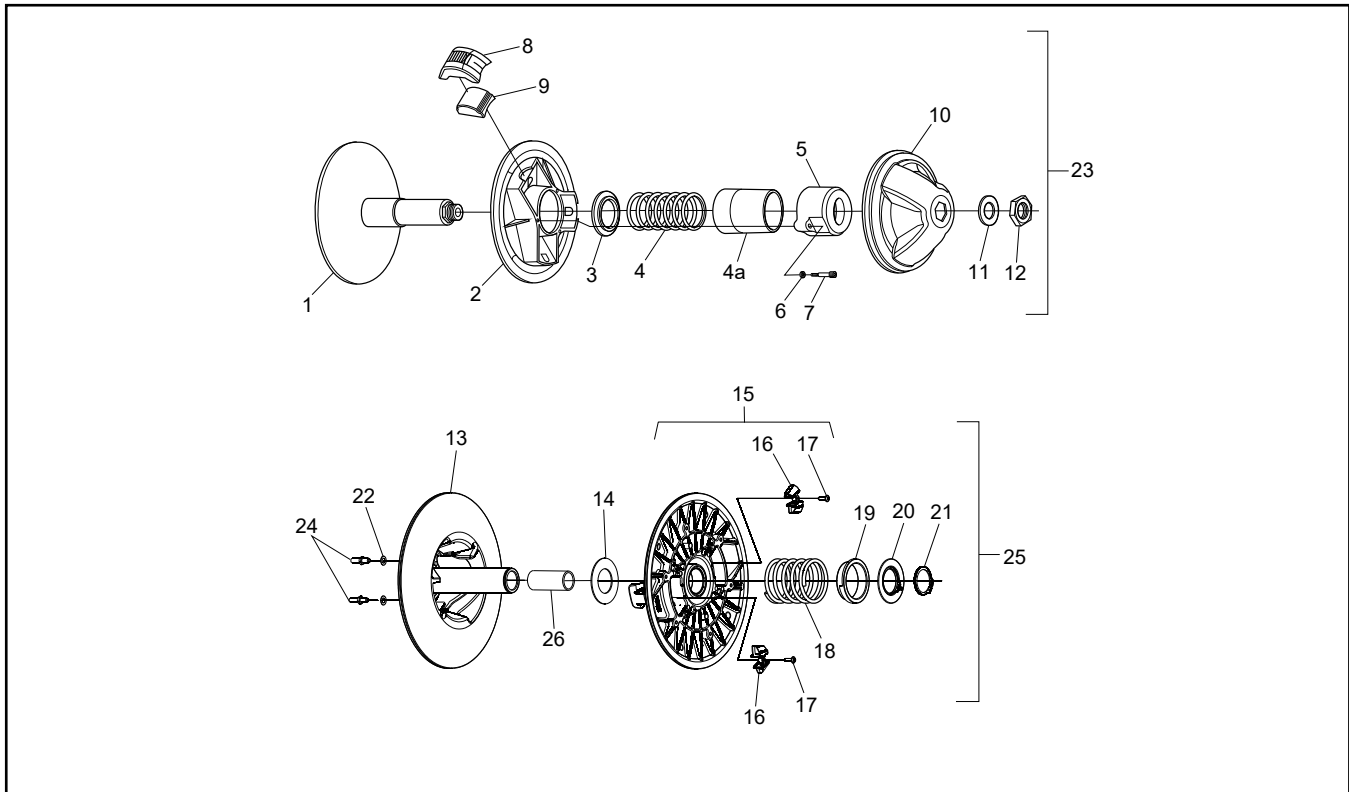
Ref.	Qty.	Part #	Description
1	16	100-105	Pin, Cotter 3/16 x 1.75" Zn
2	4	953-19	Standoff, Hex, 54mm
3	2	953-22	Flange, 2 Pos., XT
5	24	108-34	Washer .47 x .94 x .06 Zn
6	16	606-40	Slider Block -7/8" Shaft
7	4	953-20	Standoff, Hex, 23.5mm
8	16	806-211	Pivot Arm Asm
9	8	112-158	Bolt, Shoulder, 12mm x 70mm Lg
10	8	128-16	Spring, Torsion - Cent. Chain
11	8	117-32	Locknut, Nylon 7/16-20 Zn
12	6	953-21	Flange, Axle, XT

# 5.0 Clutch System - XTI

# Conquest Parts Manual

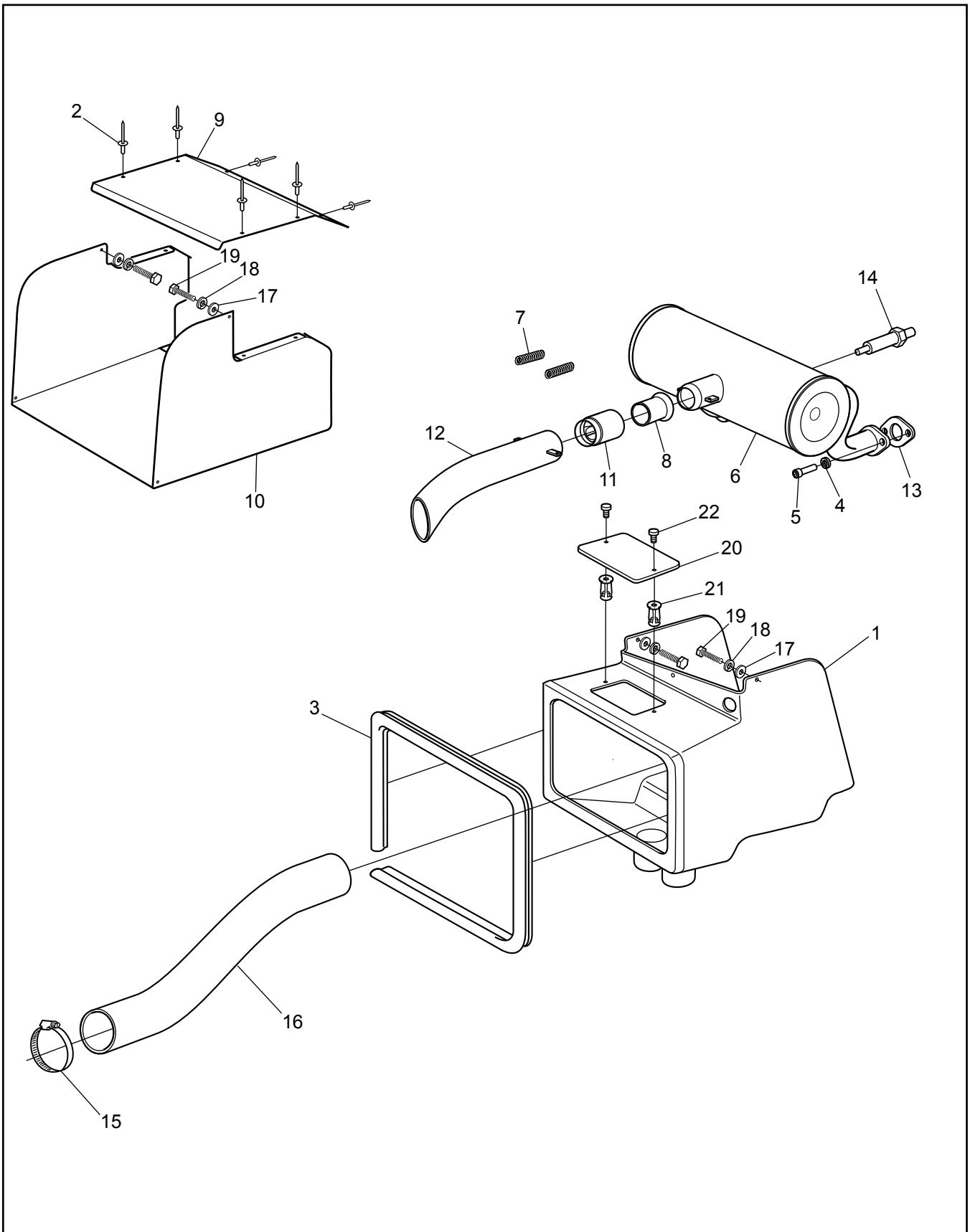


Ref.	Qty.	Part #	Description
1	1	0405-0138	Flange, Fixed
2	1	0410-0033	Flange, Sliding
3	1	0150-1014	Spring Guide Washer
4	1	1151-1114	Spring
4a	1	0450-3002	Guide, Spring
5	1	0440-0005	Spring Cover
6	3	0080-0167	Lockwasher
7	3	0080-0021	Screw, Cap
8	3	0130-3012	Block
9	3	0135-3061	Weight (230gr) - EFI Model
	1	127-208	Weight Set (3), 185g - High Elevation
	1	127-209	Weight Set (3), 220g - High Elevation
	1	127-210	Weight Set (3), 240g - High Elevation
10	1	0115-2061	Cap
11	1	0080-0804	Washer, Zn
12	1	V16J1	Nut
13	1	5905-0003	Flange, Fixed
14	1	0080-0164	Washer, Shim
15	1	5910-0002	Flange, Sliding
16	3	5930-3001	Cam Shoe
17	2	0080-0031	Screw
18	1	5951-1009	Spring
19	1	5950-3003	Spring Protector
20	1	5950-3002	Spring Support
21	1	0080-0216	Retaining Ring, Outside
22	2	0080-0167	Lockwasher
23	1	610-128	Clutch, Driver - EFI Models
24	2	0080-0035	Screw & Nut Ass'y
25	1	127-156	Clutch, Driven - INVANCE
26	1	5940-2001	Keyway Stopper



Ref.	Qty.	Part #	Description
1	1	0405-0137	Flange, Fixed
2	1	0410-0033	Flange, Sliding
3	1	0150-1014	Spring Guide Washer
4	1	1151-1110	Spring
4a	1	0450-3002	Guide, Spring
5	1	0440-0005	Spring Cover
6	3	0080-0167	Lockwasher
7	3	0080-0021	Screw, Cap
8	3	0130-3012	Block
9	3	0135-3064	Weight (260gr)
	1	127-208	Weight Set (3), 185g - High Elevation
	1	127-209	Weight Set (3), 220g - High Elevation
	1	127-210	Weight Set (3), 240g - High Elevation
10	1	0115-2061	Cap
11	1	0080-0804	Washer, Zn
12	1	V16J1	Nut
13	1	5905-0003	Flange, Fixed
14	1	0080-0164	Washer, Shim
15	1	5910-0002	Flange, Sliding
16	3	5930-3001	Cam Shoe
17	2	0080-0031	Screw
18	1	5951-1009	Spring
19	1	5950-3003	Spring Protector
20	1	5950-3002	Spring Support
21	1	0080-0216	Retaining Ring, Outside
22	2	0080-0167	Lockwasher
23	1	610-130	Clutch, Driver - XTD
24	2	0080-0035	Screw & Nut Ass'y
25	1	127-156	Clutch, Driven - INVANCE
26	1	5940-2001	Keyway Stopper

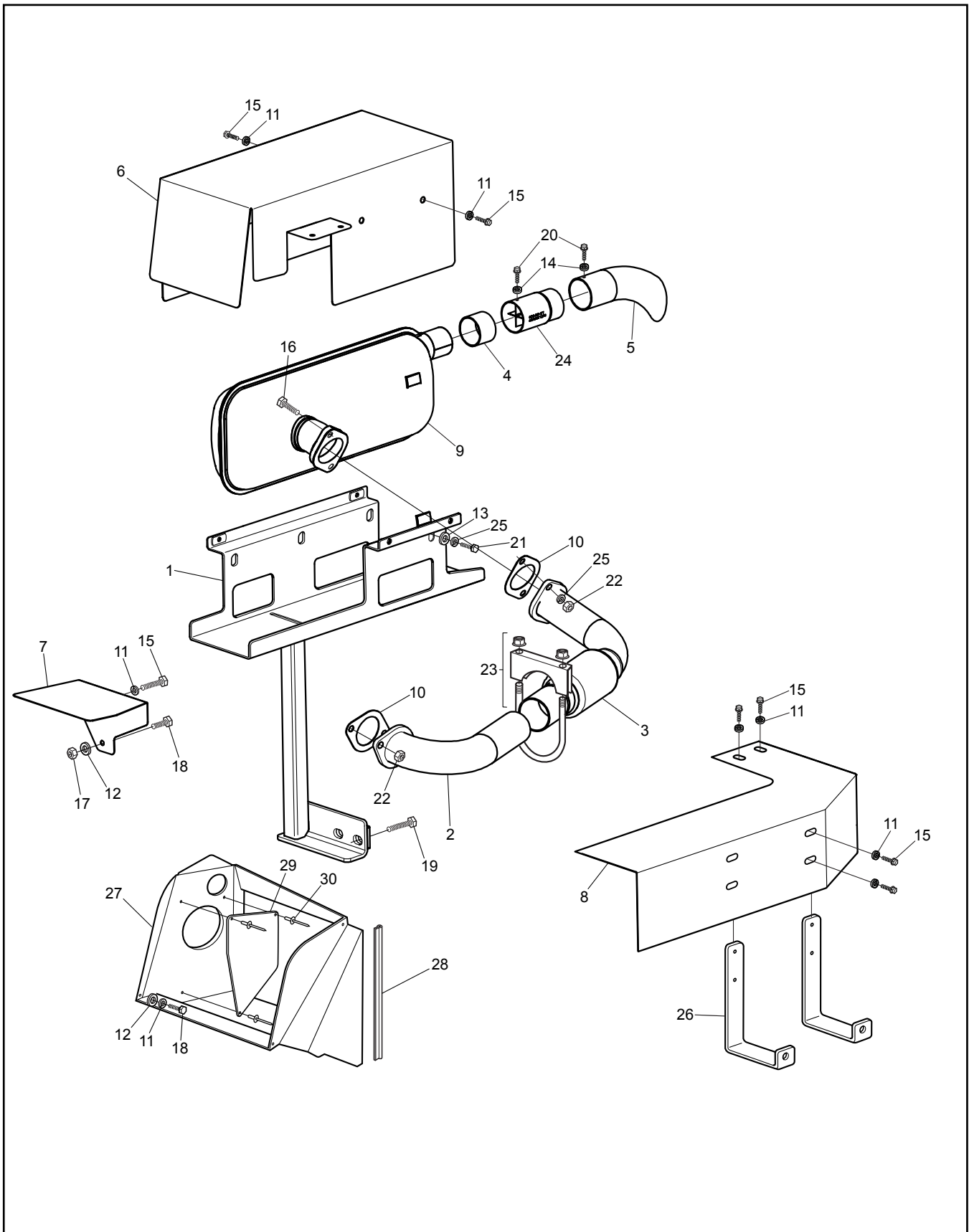
# 6.0 Intake and Exhaust System - XTI Conquest Parts Manual



# Conquest Parts Manual 6.0 Intake and Exhaust System - XTI

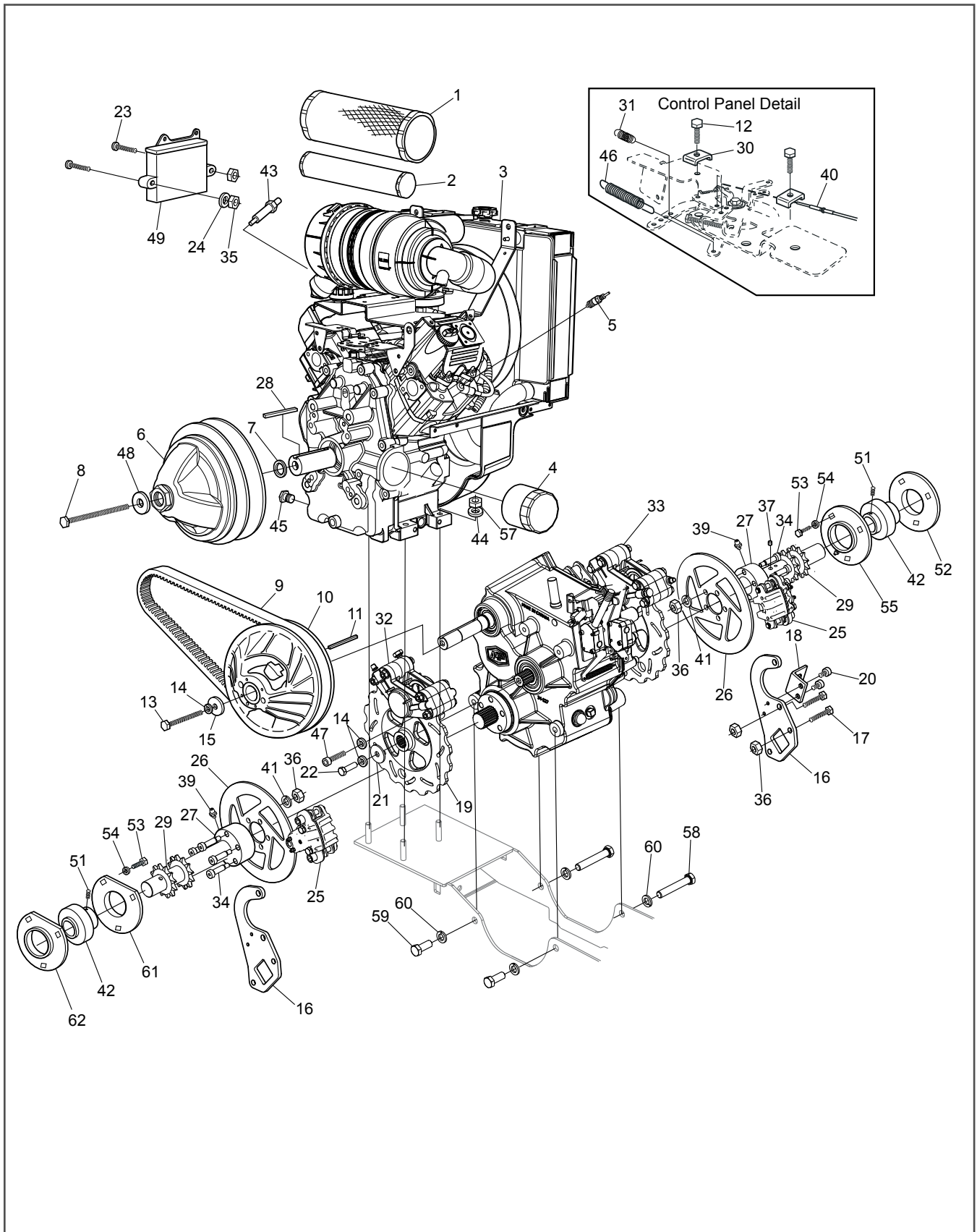
Ref.	Qty.	Part #	Description
1	1	951-13	Duct, Intake
2	6	120-31	Rivet, 3/16" x 1/4", Open End
3	2	809-166-50	Seal, 50" Long
4	4	108-02	Lockwasher 5/16 Hi-Collar Bare
5	4	112-30	SHCS M8 x 1,25 x 20mm Zn
6	1	952-118	Muffler, Kohler EFI XT
7	2	127-187	Spring, Extension - 17/32 x 3.75
8	1	607-135	Tube, Muffler, Flared x 2.0
9	1	953-38	Shield, Exhaust Upper XT
10	1	953-37	Duct, Exhaust XT
11	1	607-171	Spark Arrestor, ODG
12	1	607-134	Pipe, Tail - Ass'y
13	2	24 041 49	Gasket, Exhaust Manifold
14	1		<b>See Section 7.0 Power Pack Assembly</b>
15	1	100-128	Clamp, Gear 2.25"
16	1	848-194	Hose, Intake Flex 2" Dia. x 24"
17	4	108-104	Washer, 0.28ID x 1.0OD x 0.13, Blk
18	4	108-105	Lockwasher, 1/4 Split, Blk Zn
19	4	112-212	HHCS M6 x 1 x 25mm, Black Zn
20	1	952-237	Cover, Cleanout XT
21	2	117-53	Nut, Jack 1/4-20 8L-JNS Zn
22	2	117-89	Thumbscrew, 1/4-20x1, Nylon

# 6.0 Intake and Exhaust System - XTD Conquest Parts Manual



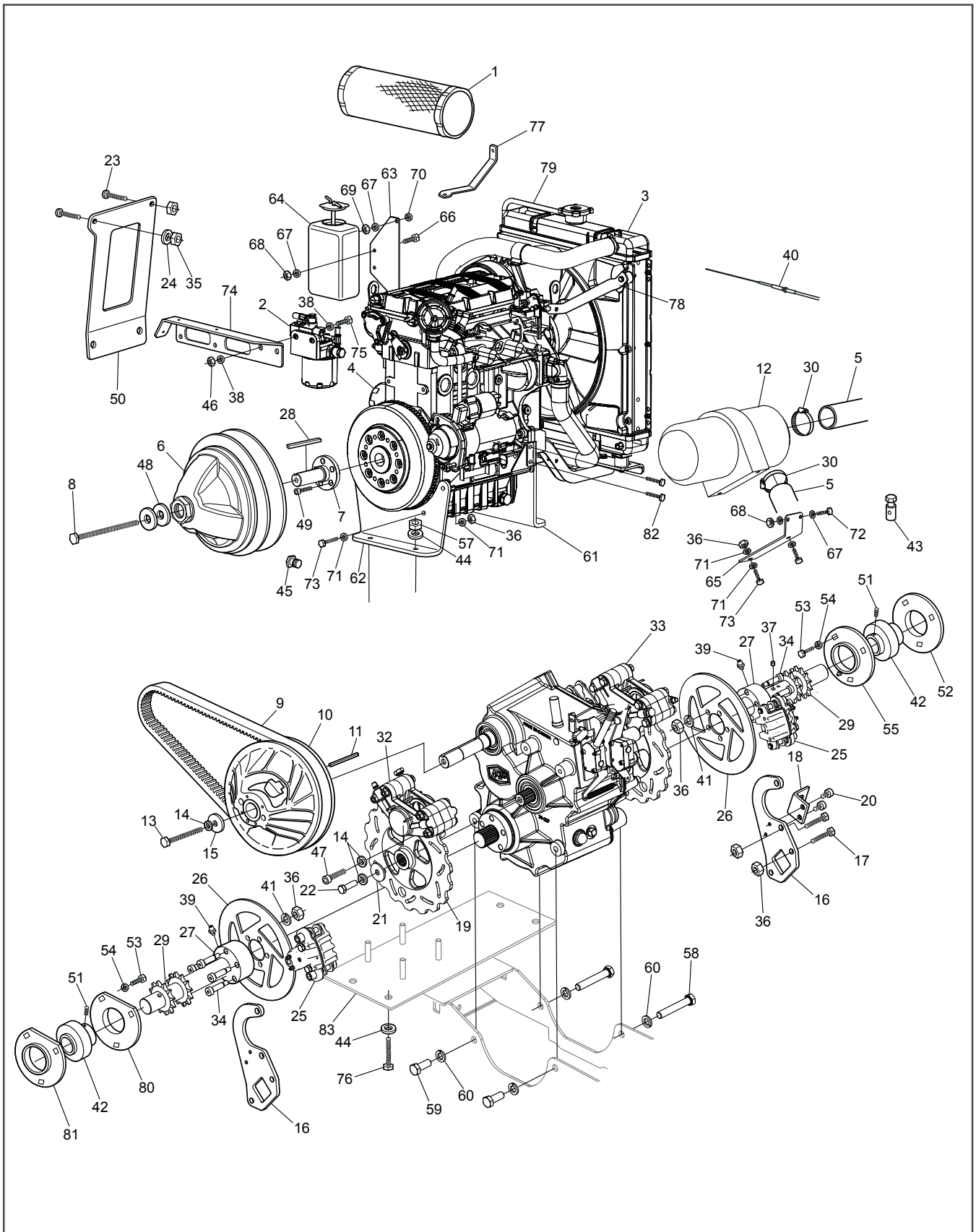
# Conquest Parts Manual 6.0 Intake and Exhaust System - XTD

Ref.	Qty.	Part #	Description
1	1	950-42	Wldmt, Muffler Support XTD
2	1	950-44	Wldmt, Exhaust Engine XTD
3	1	950-45	Wldmt, Exhaust Muffler XTD
4	1	952-252	Tube, 1-5/8 OD x 1-1/8
5	1	952-253	Pipe, Tail 60 Deg x 5.5
6	1	953-70	Duct, Exhaust XTD
7	1	953-82	Shield, Oil Filter XTD
8	1	953-93	Shield, Exhaust XTD
9	1	953-88	Muffler, Kohler XTD
10	2	953-89	Gasket, Exhaust Flange XTD
11	14	108-03	Lockwasher 1/4 Split Ring Zn
12	4	108-08	Washer .28x.62x.07 Zn
13	4	108-24	Washer .34x.70x.06 Zn
14	2	108-86	Lockwasher #10 Ext Tooth Zn
15	11	112-19	Screw, IHWH T/C Slot 1/4-20x1/2
16	2	112-20	HHCS M8x1,25x25mm Zn
17	1	112-115	Locknut, Nylon M6x1 Zn
18	4	112-118	HHCS M6x1,0x15mm
19	2	112-133	HHCS M10x1,5x35mm Zn
20	2	112-168	Screw, IHWH #10 x 3/8
21	4	112-234	HHCS M8x1,25x12mm Zn
22	4	117-73	Nut M8x1,25 Zn
23	1	607-195	Clamp, Muffler 1-7/8" Dia
24	1	607-171	Spark Arrestor, ODG
25	6	108-05	Lockwasher 5/16 Split Ring Zn
26	2	953-94	Bracket, Exhaust Shield XTD
27	1	950-46	Intake Plenum - XTD
28	4	809-167RM	Seal, Radiator Baffle - Top 14.5" Long
29	1	953-79	Cover, Intake Plenum - XTD
30	3	120-13	Rivet - 3/16 x 3/4 Black
31	1	953-95	Bracket, Exhaust - XTD

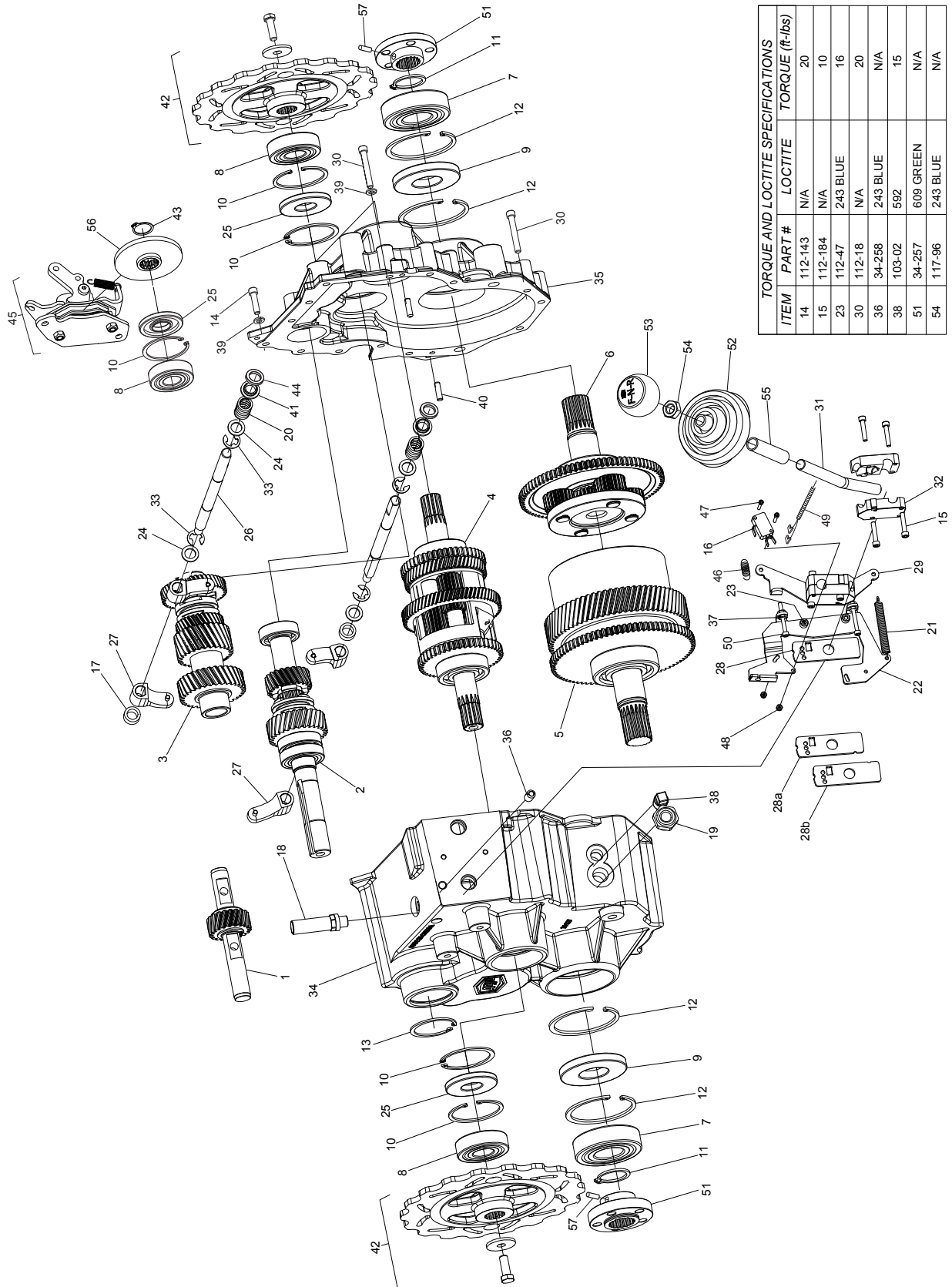




Ref.	Qty.	Part #	Description	Ref.	Qty.	Part #	Description
1	1	25 083 01	Filter, Air	37	1	613-127	Magnet, Speedometer
2	1	25 083 04	Element, Inner	39	2	100-127	Fitting, Grease STR 1/4-28 TPR
3	1	ELH775-3011	Kohler 30 HP Engine, EFI	40	1	612-135	Cable Asm., Throttle, XT
4	1	12 050 01	Filter, Oil	41	11	108-05	Lockwasher 5/16 Split- Ring Zn
5		127-193	Sparkplug, RC14YC	42	2	101-95	Bearing, Ball-1.25x72mm
6			<b>See Section 4.0 Clutch System</b>	43	1	24 418 05	Sensor, Oxygen
7	1	108-84	Washer, Engine Clutch	44	4	108-15	Washer, .42x.81x.05 Zn
8	1	112-160	HHCS, 7/16-20 x 5.0" Lg	45		112-156	Plug, Oil Drain 3/8-18 NPT Hex
9	1	127-137HD	Drive Belt - Avg/HDi Heavy Duty	46	1	24 089 46	Spring, Govenor (Kohler #)
10			<b>See Section 4.0 Clutch System</b>	47	4	103-41	SHCS 3/8-16x1.25 Zn
11	1	110-03	Key 1/4 x 3/16 x 2.375 RC46	48	1	108-58	Washer, .47 x 1.37 x 12 Hi-Carbon
12	1	M-545016	Screw, Clamp Cable (Kohler #)	49	1	66 584 05	ECU (c/w engine)
13	1	112-164	HHCS 3/8-16 x 3.5 Gr5 Zn	50	1	112-102	Screw, Self Drill 12-14 x 3/4"
14	7	108-06	Lockwasher 3/8 Split Ring Zn	51	4	103-110	Set Screw, Cup, 5/16-24 x 1/2
15	1	108-46	Washer .40 x 1.37 x 1.2 Hi- Carbon	52	1	952-260	Bearing Flange, W/Trim
16	2	953-01	Mount, Service Brake Caliper	53	6	112-137	HHCS M10x1,25x20mm Zn
17	4	112-20	HHCS M8x1,25x25mm Zn	54	6	108-67	Lockwasher M10 Split- Ring Zn
18	1	953-09	Bracket, Speedo Mount	55	1	952-259	Bearing Flange, Grease W/Trim
19	2	165-22	Disc, Brake - Admiral	56	2	100-64	Tie Wrap - 5.5" - Black
20	2	112-203	SHCS 1/4-20x1/4 Zn	57	4	117-29	Locknut, Nylon 3/8-16 Zn
21	2	108-18	Washer .40 x 1.37 x .12 Zn	58	2	112-190	HHCS 1/2-13x3.00 Gr5 Zn
22	2	103-60	HHCS 3/8-24 x 1 Gr5 Zn	59	2	112-189	HHCS 1/2-13x1.25 Gr5 Zn
23	2	112-225	RHMS, 10-24 x 2.0 Zn	60	4	108-107	Lockwasher, 1/2", High Alloy
24	2	120-04	Washer .19x.50x.08 Zn	61	1	952-259	Bearing Flange, Grease W/Trim
25			<b>See Section 9.0 Steering &amp; Brake System</b>	62	1	952-260	Bearing Flange, W/Trim
26	2	165-25	Disc, Brake, Service				
27	2	810-117	Coupler, Idler Shaft				
28	1	110-18	Key 1/4 x 1/4 x 1.75				
29	2	810-119	Shaft, Output, #60-10T				
30	1	12 237 01	Clamp, Cable (Kohler #)				
31	1	24 089 51	Spring, Throttle (Kohler #)				
32			<b>See Section 9.0 Steering &amp; Brake System</b>				
33			<b>See Section 9.0 Steering &amp; Brake System</b>				
34	10	112-201	Bolt, Shoulder M10 x 45				
35	2	117-10	Locknut, 10-24 N/I Zn				
36	18	117-77	Locknut, Nylon - M8 x 1,25mm Zn8				



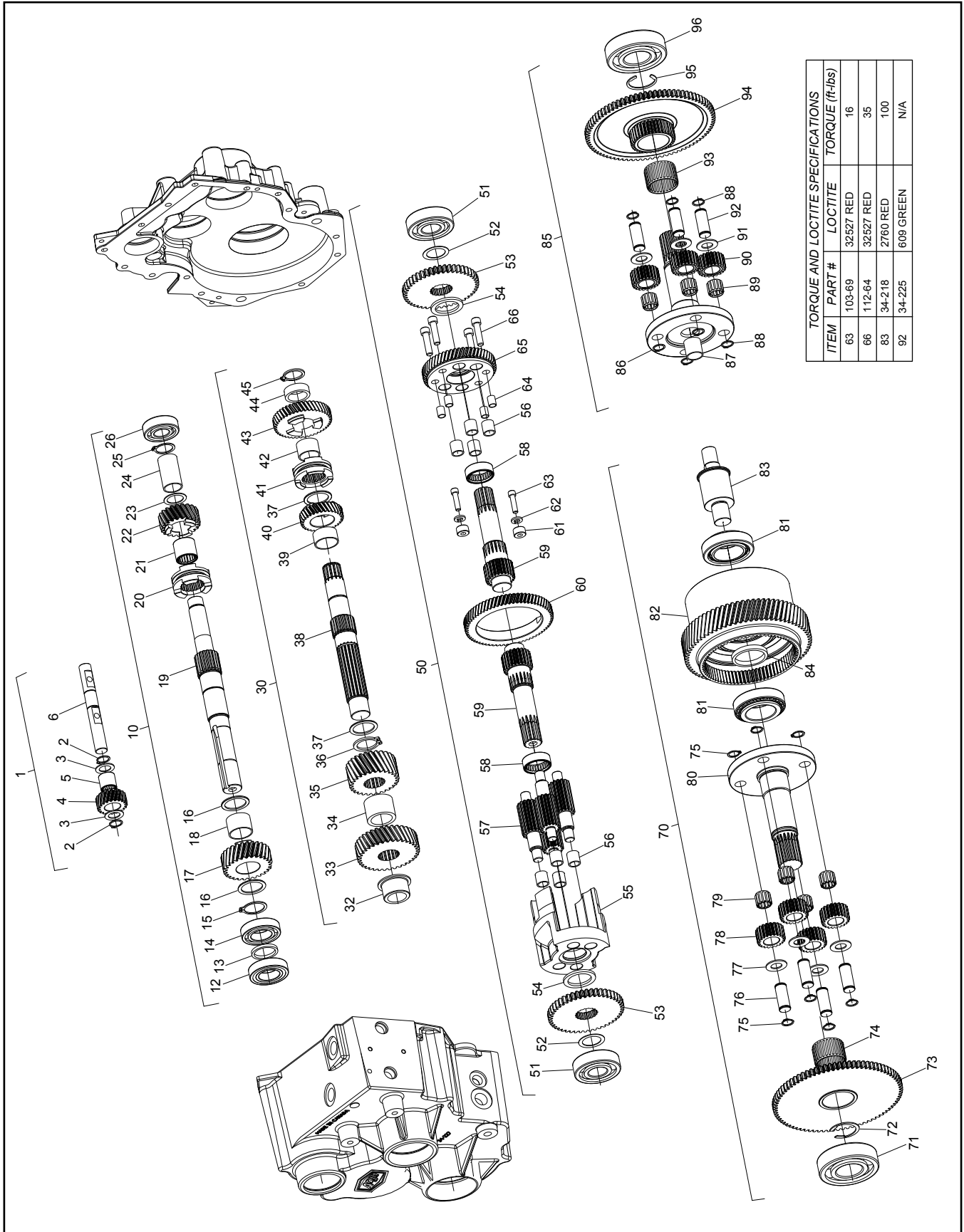
Ref.	Qty.	Part #	Description	Ref.	Qty.	Part #	Description
1	1	ED0021751240-S	Filter, Air	46	2	117-60	Locknut, Nyloc
2	1	ED0021752880-S	Filter, Fuel				M10x1.5mm Zn
3	1	KDW1003-5025A	Kohler 24HP Engine, Diesel	47	4	103-41	SHCS 3/8-16x1.25 Zn
4	1	ED0021752850-S	Filter, Oil	48	2	108-58	Washer, .47 x 1.37 x 12
5	2	848-194	Hose, Intake Flex 2"Dia x 24"				Hi-Carbon
6			<b>See Section 4.0 Clutch System</b>	49	5	112-179	SHCS M10x1,25x40
7	1	953-67	Shaft, PTO - XTD	50	1	952-168	Bracket, ECM XT
8	1	112-160	HHCS, 7/16-20 x 5.0" Lg	51	4	103-110	Set Screw, Cup, 5/16-24 x 1/2
9	1	127-159HD	Drive Belt - Frontier Heavy Duty	52	2	952-260	Bearing Flange, W/Trim
10			<b>See Section 4.0 Clutch System</b>	53	6	112-137	HHCS M10x1,25x20mm Zn
11	1	110-03	Key 1/4 x 3/16 x 2.375 RC46	54	6	108-67	Lockwasher M10 Split-Ring Zn
12	1	ED0037004560-S	Air Cleaner	55	2	952-259	Bearing Flange, Grease W/Trim
13	1	112-164	HHCS 3/8-16 x 3.5 Gr5 Zn	56	4	100-64	Tie Wrap - 5.5" - Black
14	7	108-06	Lockwasher 3/8 Split Ring Zn	57	4	117-66	Locknut, Nylon 1/2-13Zn
15	1	108-46	Washer .40 x 1.37 x 1.2 Hi-Carbon	58	2	112-190	HHCS 1/2-13x3.00 Gr5 Zn
16	2	953-01	Mount, Service Brake Caliper	59	2	112-189	HHCS 1/2-13x1.25 Gr5 Zn
17	4	112-20	HHCS M8x1,25x25mm Zn	60	4	108-107	Lockwasher, 1/2", High Alloy
18	1	953-09	Bracket, Speedo Mount	61	1	953-68	Support, Engine RH-XTD
19	2	165-22	Disc, Brake - Admiral	62	1	953-69	Support, Engine LH-XTD
20	2	112-203	SHCS 1/4-20x1/4 Zn	63	1	953-81	Mount, Overflow Bottle-XTD
21	2	108-18	Washer .40 x 1.37 x .12 Zn	64	1	825462	Overflow Tank Kit Mount,
22	2	103-60	HHCS 3/8-24 x 1 Gr5 Zn	65	1	953-77	Air Filter - XTD HHCS
23	2	112-225	RHMS, 10-24 x 2.0 Zn	66	3	112-118	M6x1,0x15mm
24	2	120-04	Washer .19x.50x.08 Zn	67	5	108-08	Washer .28x.62x.07 Zn
25			<b>See Section 9.0 Steering &amp; Brake System</b>	68	4	112-115	Locknut, Nylon M6x1 Zn
26	2	165-25	Disc, Brake, Service	69	1	117-63	Nut, Hex M6x1,0 Zn
27	2	810-117	Coupler, Idler Shaft	70	1	108-03	Lockwasher 1/4 Split Ring Zn
28	1	110-18	Key 1/4 x 1/4 x 1.75	71	4	108-24	Washer .34x.70x.06 Zn
29	2	810-119	Shaft, Output, #60-10T	72	2	112-98	HHCS M6 x 1 x 40mm Zn
30	3	100-128	Clamp, Gear 2.25"	73	6	112-233	HHCS M8x1,25x30mm Gr8.8 Zn
31	1	ED0021000890-S	Glow Plug	74	1	953-75	Mount, Fuel Filter - XTD
32			<b>See Section 9.0 Steering &amp; Brake System</b>	75	2	112-133	HHCS M10x1,5x35mmZn
33			<b>See Section 9.0 Steering &amp; Brake System</b>	76	4	112-237	HHCS 1/2-13x1.75 Gr5 Zn
34	10	112-201	Bolt, Shoulder M10 x 45	77	1	953-90	Rad Support, Fwd - XTD
35	2	117-10	Locknut, 10-24 N/I Zn	78	1	953-91	Rad Support, Rear - XTD
36	18	117-77	Locknut, Nylon - M8x 1,25mm Zn	79	1	127-160-10	Tubing, 1/4"ID - 10" Long
37	1	613-127	Magnet, Speedometer	80	1	952-259	Bearing Flange, Grease W/Trim
38	4	108-15	Washer .42x.81x.05 Zn	81	1	952-260	Bearing Flange, W/Trim
39	2	100-127	Fitting, Grease STR 1/4-28 TPR	82	2	112-248	HHCS M12x1,75x35mm 8.8 Zn
40	1	612-136	Cable Asm., Throttle, XTD	83	1	950-36	Mount, Engine - XTD
41	11	108-05	Lockwasher 5/16 Split-Ring Zn				
42	2	101-95	Bearing, Ball-1.25x72mm				
43	1	ED0058301190-S	Clamp, Cable				
44	8	108-103	Washer, 0.51x0.94x0.10 Zn				
45		112-156	Plug, Oil Drain 3/8-18 NPT Hex				



TORQUE AND LOCTITE SPECIFICATIONS			
ITEM	PART #	LOCTITE	TORQUE (ft.-lbs)
14	112-143	N/A	20
15	112-184	N/A	10
23	112-47	243 BLUE	16
30	112-18	N/A	20
36	34-258	243 BLUE	N/A
38	103-02	592	15
51	34-257	609 GREEN	N/A
54	117-96	243 BLUE	N/A

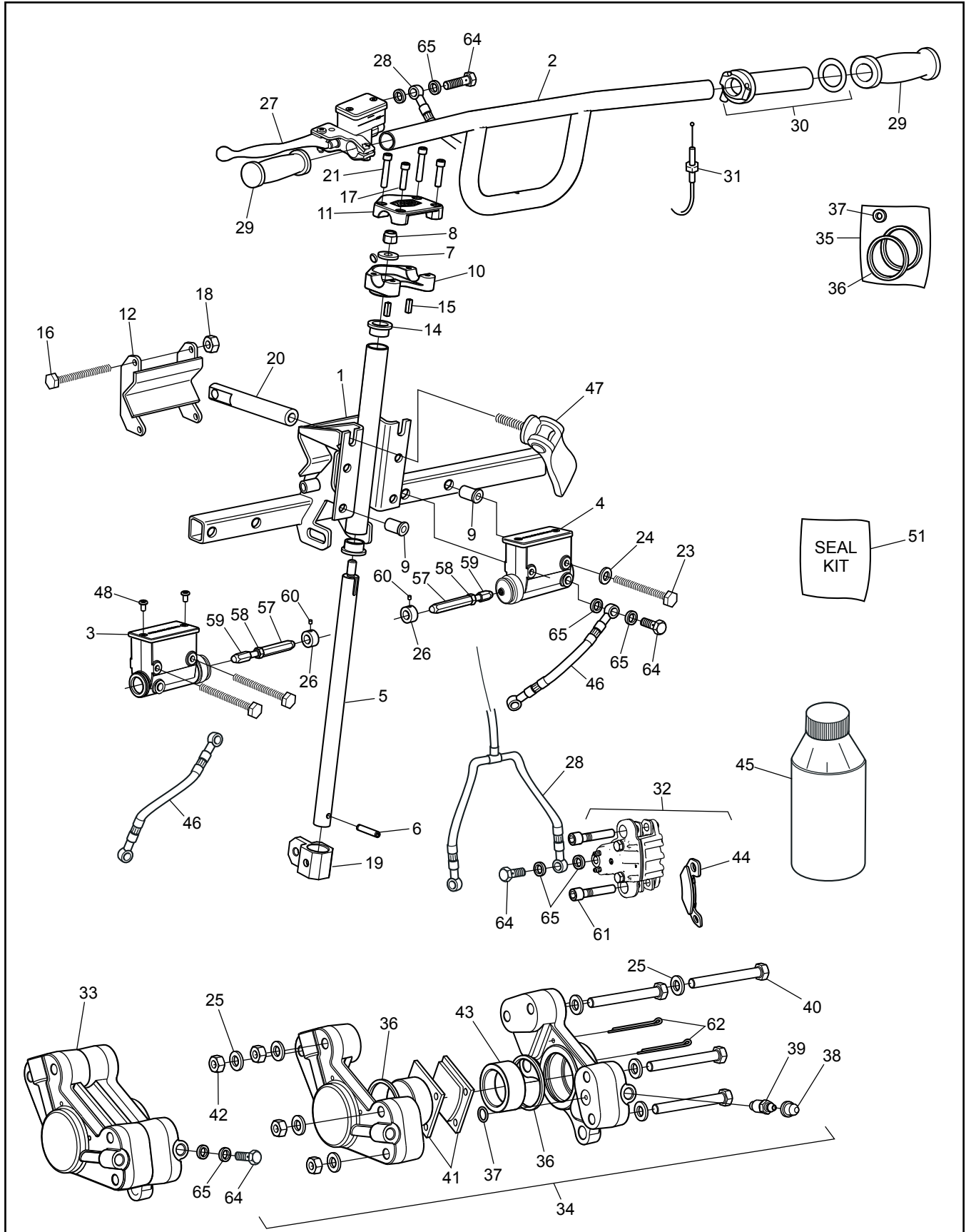
Ref.	Qty.	Part #	Description	Ref.	Qty.	Part #	Description
1-6	1	34-200-7.1 -FG	Transmission Admiral 7.1 Ratio <b>See Section 8.1 Trans. Sub Assemblies</b>	49	1	613-112	Wire Harness, Neutral Start
7	2	101-81	Bearing, Ball 6307 ZZE	50	2	112-195	SHCS 8-32 x 1.5 Stainless
8	3	101-86	Bearing, Ball 6305 Zz	51	2	34-262	Coupler, Output Shaft, Pinned
9	2	102-33	Seal, Oil 35x80x10	52	1	609-44	Boot, F-N-R Shifter
10	5	106-05	Retaining Ring HO-244-PA	53	1	127-226	Knob, Shift F-N-R - HD
11	2	106-23	Retaining Ring SH-0137-PA	54	1	117-96	Nut, Jam 1/2-13
12	4	106-24	Retaining Ring H0-312-PA	55	1	127-229	Sleeve, Insulating - 1.25"
13	1	106-26	Retaining Ring H0-206-PA	56	1	165-52	Rotor, E-Brake
14	10	112-143	SHCS 5/16 x 1.25 Zn	57	2	104-75	Pin, Spring, 3/16x13/16 Zn
15	8	112-184	SHCS, 10-32 x 1				
16	1	613-151	Switch, Micro, Roller Lever				
17	2	114-21	Spacer, .51x.75x.36				
18	1	34-245	Plug, Fill/Vent 1/2 BSPP				
19	1	34-251	Site Glass, 1/2 BSP Aluminum				
20	2	127-186	Spring, Comp. 0.70x1.28				
21	1	127-194	Spring, Ext .360x3.0				
22	1	34-241	Bracket, Switch, Spring Mount				
23	2	112-47	SHCS 1/4-20 x 1.0 Zn				
24	3	108-35	Washer .53x1.06x.09 Zn				
25	3	102-37	Seal, Oil 25x62x7				
26	2	34-231	Shaft, Shift - F-N-R				
27	4	34-232	Fork, Shift - Half				
28	1	34-233	Plate, Detent				
28a	1	34-233L	Plate, Detent, Left Adj.				
28b	1	34-233R	Plate, Detent, Right Adj.				
29	1	34-242	Bracket, Spring Mount				
30	8	112-18	SHCS 5/16x2.25				
31	1	34-259	Lever, XTI, F-N-R				
32	4	34-236	Clamp, Lever Shaft				
33	3	106-30	Retaining Ring E-0050 E				
34	1	34-227	Housing, Admiral, Left (includes Ref. # 36)				
35	1	34-228	Housing, Admiral, Right				
36	1	34-258	Plunger, Ball - Nose Spring				
37	4	117-92	Nut, Hex Machine #8-32 Zn				
38	1	103-02	Plug, Magnetic 3/8-18Npt Sq. Hd				
39	11	108-05	Lockwasher 5/16 Split-Ring Zn				
40	2	104-03	Pin, Dowel 1/4x7/8				
41	2	105-33	Bushing, Flange				
42			<b>See Section 7.0 Power Pack</b>				
43	1	106-29	Retaining Ring SH-0093-PA				
44	2	102-36	Seal, Shift Shaft - 0.5 x .75 x .125				
45			<b>See Section 10.0 Parking Brake</b>				
46	1	127-195	Spring, Ext., .75 x 2.73				
47	2	112-172	SHCS 5-40 x 3/4 Zn				
48	2	112-173	Locknut, #5-40 Zn				

# 8.1 Transmission Sub-Assemblies Conquest Parts Manual



# Conquest Parts Manual 8.1 Transmission Sub-Assemblies

Ref.	Qty.	Part #	Description	Ref.	Qty.	Part #	Description
1	1	34-290	<b>Asm, Reverse Shaft - Adm. includes:</b>	60	1	34-205	Gear, Helical - 67T
2	2	106-25	Retaining Ring SH-0078-PA	61	2	105-28	Bushing, Dowel .26x.625x.36
3	2	108-99	Washer, Thrust .79x1.25 x .06	62	2	108-03	Lockwasher 1/4 Split Ring Zn
4	1	34-220	Pinion, Idler - 20T	63	2	103-69	SHCS, 1/4-20 x 1.5 Zn
5	1	101-87	Bearing, Needle HMK20x27x25	64	4	105-23	Bushing, Dowel - .312 x .5
6	1	34-221	Shaft, Shift - Reverse	65	1	34-204	Gear, Helical - 55T
10	1	34-291-7.3	<b>Asm, Input Shaft includes:</b>	66	4	112-64	SHCS 5/16 x 18 x 1.25
12	1	101-89	Bearing, Ball 60/28 Llu	70	1	34-294-HS	<b>Asm, Output Shaft LH-Adm. includes</b>
13	1	114-19	Spacer, 1.12x1.375x.148	71	1	101-73	Bearing, Ball 6307 CL.N.
14	1	101-88	Bearing, Ball 60/28	72	1	106-31	Retaining Ring C-0137
15	1	106-27	Retaining Ring SH-112-PA	73	1	34-207-HS	Gear, Sun - 84T, 35T
16	2	108-98	Washer, Thrust 1.13x1.46x.062	74	1	101-83	Bearing, Needle KJ37x42x27S
17	1	34-215	Pinion, For.-27T,12Dp-7.3 Ratio	75	8	106-22	Retaining Ring SH-0056-PA
18	1	105-32	Bushing, Bronze 1.125x1.25x.875	76	4	34-225	Pin, Planet Carrier
19	1	34-213	Shaft, Input	77	4	108-93	Washer, .59x1.10x.06
20	1	34-224	Collar, Shift, For-Rev	78	4	34-217	Gear, Planet - 21T
21	1	101-90	Bearing, Needle HK2220	79	4	101-82	Bearing, Needle KM J15x21x17S
22	1	34-214	Pinion, Reverse - 21T,12Dp	80	1	34-263	Carrier Shaft, Grooved LH
23	1	114-17	Washer, Thrust .866x1.181x.039	81	2	101-76	Bearing, Tapered Roller 32008X
24	1	114-18	Spacer, .865x1.0x1.75	82	1	34-219	Planetary Hub
25	1	106-25	Retaining Ring SH-0078-PA	83	1	34-218	Shaft, Planetary Stub
26	1	101-01	Bearing, Ball 6204Z-C3	84	1	114-22	Spacer, 1.585x1.75x.245
30	1	34-295-7.3	<b>Asm, Idler Shaft includes:</b>	85	1	34-293-HS	<b>Asm, Output Shaft RH - Adm. includes:</b>
32	1	105-30	Bushing, Flanged 1x1.375	86	1	34-264	Carrier Shaft, Grooved RH
33	1	34-211	Gear, Helical - 35T- 7.3 Ratio	87	1	105-26	Bushing, Oilite .75x.875x.875
34	1	108-96	Spacer, 1.125x1.5x1.083	88	8	106-22	Retaining Ring SH-0056-PA
35	1	34-209	Pinion, Helical - 27T	89	4	101-82	Bearing, Needle KM J15x21x17S
36	1	106-28	Retaining Ring SHR-0112-PA	90	4	34-217	Gear, Planet - 21T
37	2	108-98	Washer, Thrust 1.13x1.46x.062	91	4	108-93	Washer, .59x1.10x.06
38	1	34-208	Shaft, Idler	92	4	34-225	Pin, Planet Carrier
39	1	105-31	Bushing, Bronze 1.125x1.25x.625	93	1	101-83	Bearing, Needle KJ37x42x27S
40	1	34-210	Pinion, Helical - 31T	94	1	34-207-HS	Gear, Sun - 84T, 35T
41	1	34-223	Collar, Shift, Hi-Low	95	1	106-31	Retaining Ring C-0137
42	1	105-29	Bushing, Oilite 1.0x1.125x.75	96	1	101-73	Bearing, Ball 6307 CL.N.
43	1	34-212	Pinion, Helical - 45T				
44	1	108-97	Spacer, 1.01x1.3x.409				
45	1	107-15	Retaining Ring SHR-98-PA				
50	1	34-292-HS	<b>Asm, Differential - Adm. includes:</b>				
51	2	101-40	Bearing, Ball 6305 Open				
52	2	114-16	Washer, SHIM .99x1.375x.030				
53	2	34-203-HS	Pinion, Spur - 43T				
54	2	108-94	Washer, Thrust 1.25x1.688x.125				
55	1	34-206	Cage, Differential				
56	8	105-27	Bushing, Oilite .5x.625x.625				
57	4	34-202	Gear, Planet - 15T				
58	2	101-84	Bearing, Needle HK3012				
59	2	34-201	Shaft, Brake				

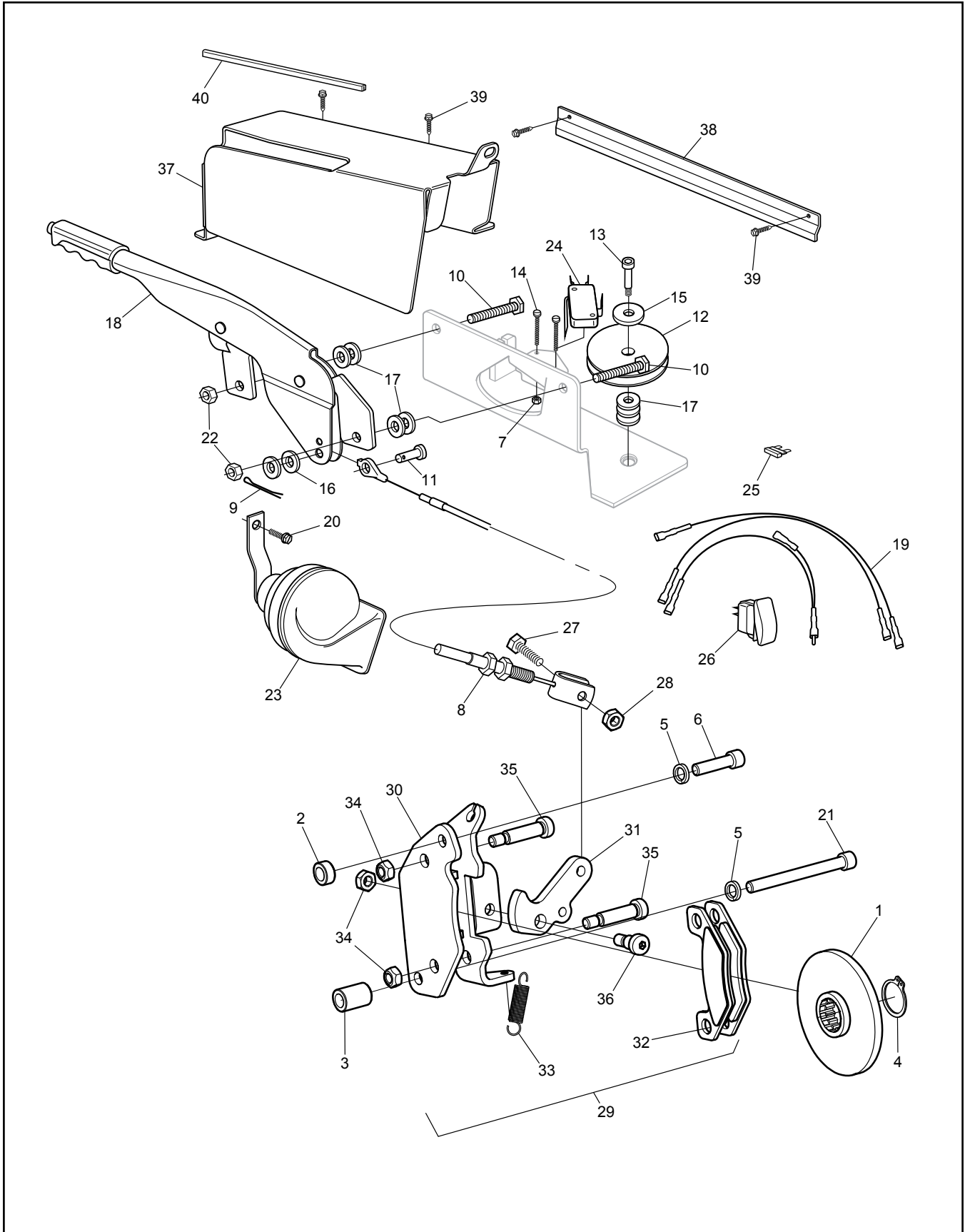




Ref.	Qty.	Part #	Description	Ref.	Qty.	Part #	Description
1	1	950-50	Steering Wldt. - XT	45		126-19	Fluid, Brake-Silicon Dot 5 - .35L
2	1	612-107	Handlebar Assembly	46	2	163-07	Hose Asm, Steering - XT
3	1	165-58	Master Cylinder, RH Wilwood	47	1	953-03	Handle, Quick Cam
4	1	165-57	Master Cylinder, LH Wilwood	48	2x2	160-42	Screw, FHMS
5	1	953-10	Shaft, Steering - XTI				M5 x 0,8 x 6mm
6	1	104-42	Pin, Spring 1/4 x 1.5"	51	1	165-37	Piston Seal Kit - Wilwood
7	2	108-47	Washer, .39 x .94 x .13 Zn Di-chr	57	2	953-02	Pin, Female, Steering
8	2	117-29	Locknut, Nylon 3/8-16 Zn	58	2	117-03	Nut, Fin Hex 1/4-20 Zn
9	8	117-79	Insert, M6 x 1,0 -10 mm OD	59	2	812-31	Pin, Male
10	1	612-106	Clamp, Lower Handlebar	60	2	112-02	SHSS 10-24x1/4 Knurl Cup PT, PL
11	1	612-105	Clamp, Upper Handlebar	61	4	165-38	Caliper Pin, Service Brake HDi
12	1	950-11	Wldt, Steering Bracket	62	2x2	168-07	Pin, Cotter 1/8 x 3.00 Zn
14	2	105-16	Bushing, Oilite - 3/4 x 1/2	63	2x1	161-25	O-Ring Kit - Master Cylinder (incl. Ref. 53, 55 & 56)
15	2	110-17	Key, 3/16 x 3/16 x .625	64	7	160-44	Bolt, Banjo - M10 x 1,0 x 21,0
16	2	103-111	HHCS 1/4-20 x 3.5 Zn	65	14	160-01	Washer, Copper - 1,5 x 10,0 x 14,0
17	2	112-47	SHCS, 1/4-20 x 1.0 Zn	66	1	120-13	Rivet, 3/16 x 3/4 Black
18	2	117-27	Locknut, Nylon 1/4-20 Zn				
19	1	953-06	Actuator, Steering				
20	1	953-07	Nut, Toggle				
21	2	103-69	SHCS 1/4-20 x 1.5 Zn				
22	1	126-93	Clamp, Nylon Wire - 1/2" ID				
23	4	112-114	HHCS M6 x 1 x 60mm Zn				
24	4	108-68	Lockwasher, Hi-Collar M6 Zn				
25	2x8	108-24	Washer, .34 x .70 x .06 Zn				
26	2	812-17	Collar				
27	1	165-31	Handbrake, Left Hydraulic				
28	1	163-08	Hose, Service Brake, XT				
29	2	127-35	Grip, Molded				
30	1	127-81	Throttle Twist Grip				
31	1	612-135	Cable Asm., Throttle, XTI				
		612-136	Cable Asm., Throttle, XTD				
32	2	165-32	Caliper, Service (includes Ref. 44 & 61)				
33	1	166-10	Caliper, Hydraulic Brake - L w/o pads				
34	1	166-11	Caliper, Hydraulic Brake - R w/o pads				
35	2	161-05	O-ring Kit, Knott Caliper				
36	4		Seal, Piston				
37	2		Seal, Rubber				
38	2x1	168-20	Plug, Rubber				
39	2x1	168-02	Screw, Bleeding, Knott Caliper				
40	2x4	103-55	HHCS, 5/16-18 x 2.75 Gr Zn				
41	1	170-03	Pad Set (4), Brake - Non-Asbestos				
42	2x4	117-03	Nut, Fin Hex 5/16-18 Zn				
43	2x2	168-01	Piston, Knott Caliper				
44	1	165-36	Brake Pad (4) Replacement - Kit				

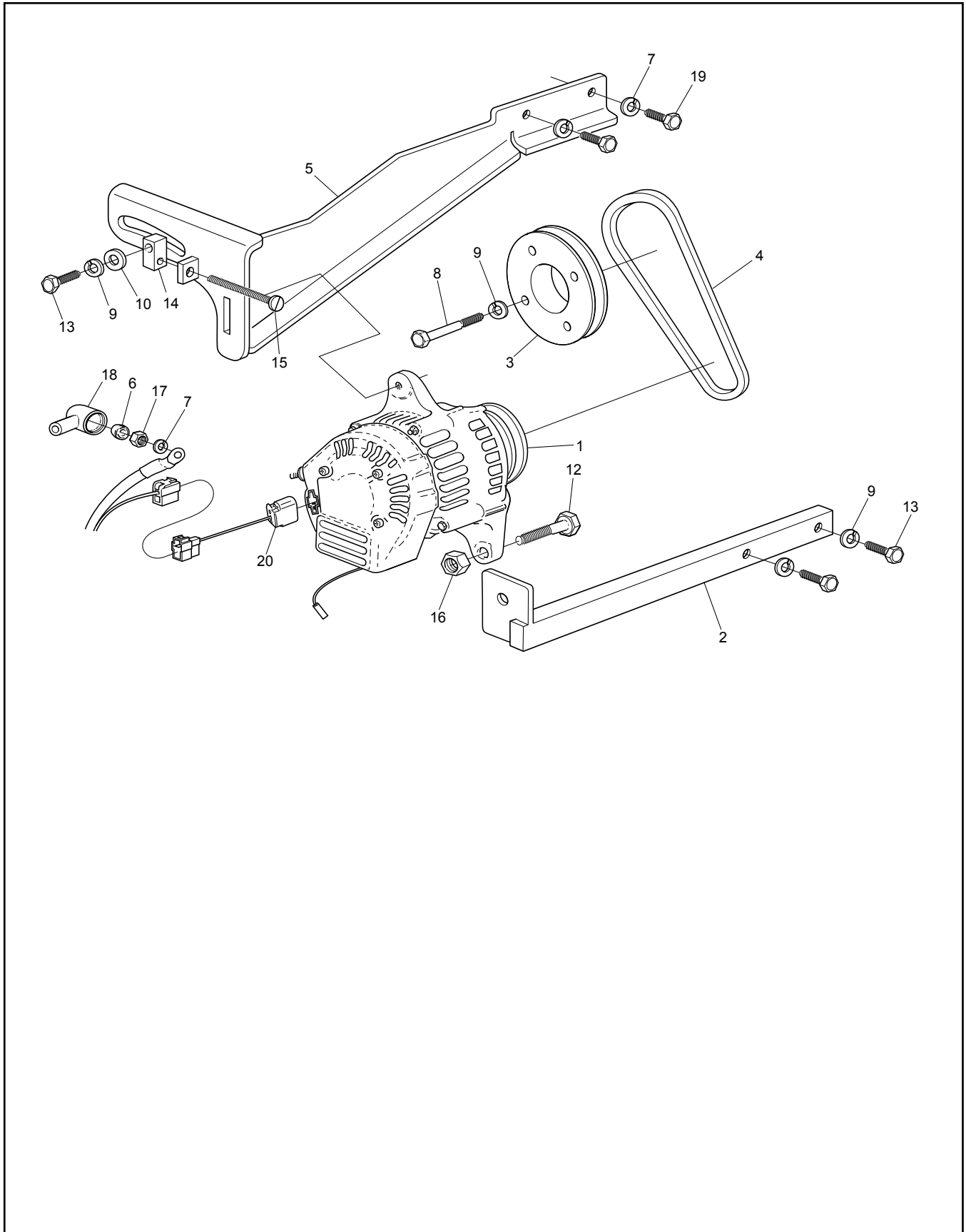
# 10.0 Parking Brake

# Conquest Parts Manual



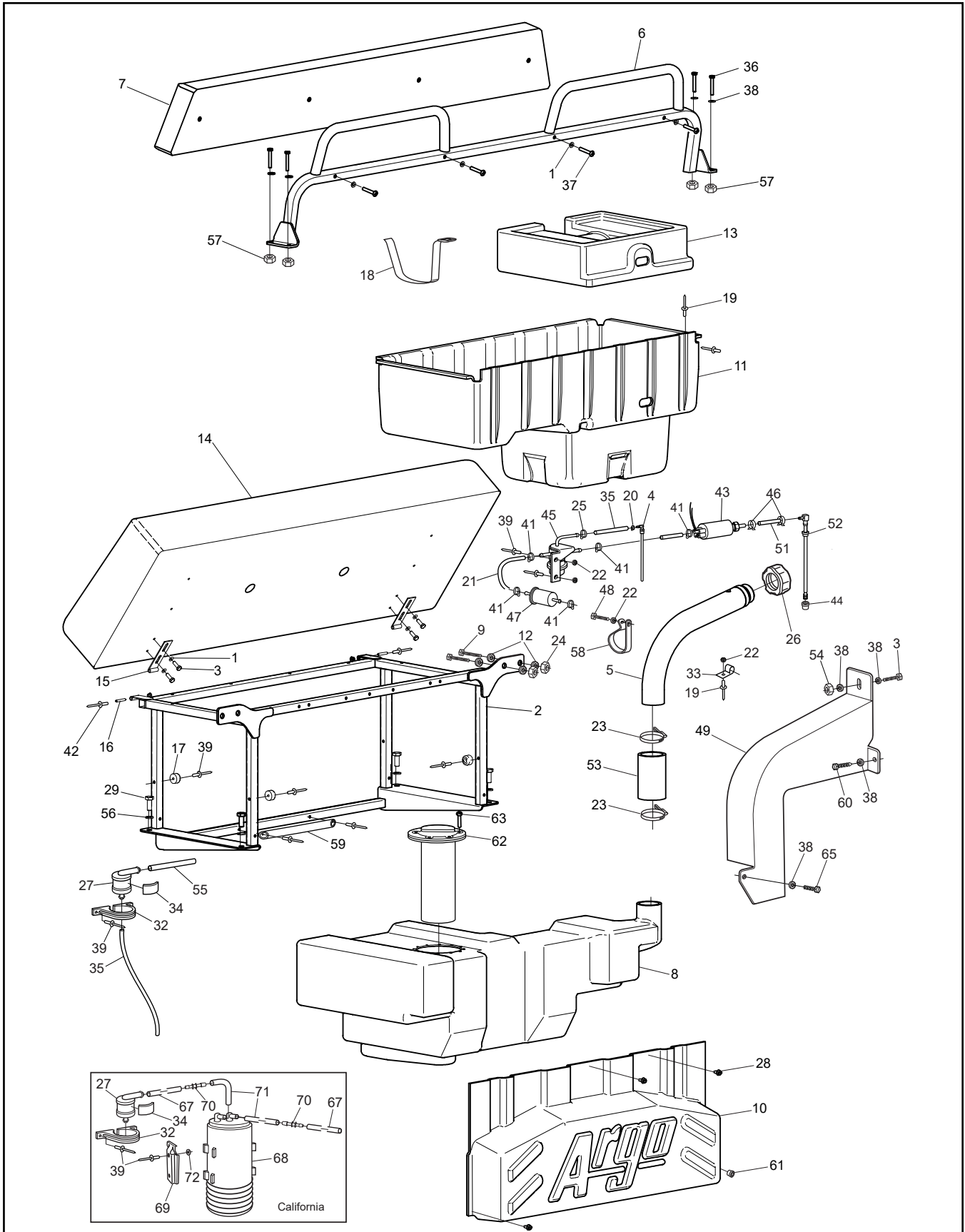
Ref.	Qty.	Part #	Description
1	1	165-52	Rotor, E-Brake
2	1	165-49	Spacer, ID.39 x OD.63 x .295
3	1	165-48	Spacer, ID.39 x OD.63 x .90
4	1	106-29	Retaining Ring SH-0093-PA
5	2	108-05	Lockwasher 5/16 Split-Ring Zn
6	1	112-143	SHCS 5/16 x 1.25 Zn
7	2	112-173	Locknut, #5-40, Zn
8	1	850-81	Cable, Parking Brake
9	1	100-100	Pin, Cotter 1/8x3/4 Zn
10	2	103-06	HHCS 5/16-18x1.0 Gr5 Zn
11	1	104-27	Pin, Clevis 5/16x.75" Zn
12	1	850-79	Pulley, Parking Brake Cable
13	1	112-178	Bolt, Shoulder, 1/2 x 5/8
14	2	112-172	SHCS 5-40 x 3/4 Zn
15	1	108-35	Washer .53 x 1.06 x .09 Zn
16	2	108-24	Washer .34x.70x.06 Zn
17	7	108-47	Washer .39x.94x.13 Zn Di-Chro
18	1	809-147	Lever, Parking Brake
19	1	848-176	Harness, Horn Momentary*
20	1	112-19	Screw,IHWH T/C Slot 1/4-20x1/2*
21	1	112-228	SHCS 5/16-18 x 3.25 Zn
22	2	117-21	Locknut, Nylon 5/16-18 Zn
23	1	848-87	Horn, Electric*
24	1	613-120	Switch, Micro, Lever
25	1	118-52	Fuse, 10A 2-Prong (AT010)*
26	1	848-175	Switch, Horn Momentary*
27	1	103-08	HHCS 1/4-20 x 1.0 Zn
28	1	117-27	Locknut, Nylon 1/4-20 Zn
29	1	165-50	Caliper, Parking Brake, Ass'y(incl. Ref. #'s 30-36)
30	1	165-44	Caliper, Wldt Parking Brake
31	1	165-51	Cam, Caliper, Park Brake
32	1	165-36	Brake Pad Replacement Kit
33	1	127-280	Spring, Extension 3/8" x 1.75"
34	3	117-25	Nut, Conelock 5/16-18
35	2	112-224	Bolt, Shoulder 3/8 x 1.25
36	1	112-223	Bolt, Shoulder 3/8 x 0.38
37	1	952-85	Guard, P-Brake - XT
38	1	953-42	Cover, Brake Cable, XT
39	4	112-102	Screw, Self Drill 12-14 x 3/4"
40	14"	953-96RM	Trim, Neoprene W/Glue

\*If equipped



Ref.	Qty.	Part #	Description
1a	1	958-98	Acc., Alternator Ass'y 40A XTI (Prior to Serial # 34809)
1b	1	958-167	Acc., Alternator Ass'y 60A XTI (From Serial # 34809)
2	1	850-191	Bracket Assy, Altr Engine Lower
3	1	850-59	Pulley, V-Belt
4	1	850-45	V-Belt, 3/8" x 19"
5	1	850-234	Bracket Ass'y, Altr. Upper 60A XTI
6	1	117-94	Pushnut, 5/32" Shaft
7	3	108-03	Lockwasher 1/4" Split Ring Zn
8	4	112-167	HHCS M8 x 1,25 x 80 mm Zn
9	7	108-05	Lockwasher 5/16" Split Ring Zn
10	1	108-24	Flat Washer .34 x .70 x .06 Zn
12	1	112-22	HHCS M10 x 1,50 x 50mm Zn
13	3	112-63	HHCS M8 x 1.25 x 35mm Gr5 Zn
14	1	850-52	Block, Adjuster
15	1	112-65	RHMS 1/4 - 20 x 3" Phil Zn
16	1	117-60	Locknut, Nyloc M10x1.5mm Zn8
17	1	117-63	Nut, Hex M6 x 1.0 Zn
18	1	613-45	Insulator, Terminal (6ga.)
19	2	112-97	HHCS M6 x 1,0 x 25mm Zn
20	1	613-222	Wire Harness, Alt 60A XTI (From Serial # 34809)

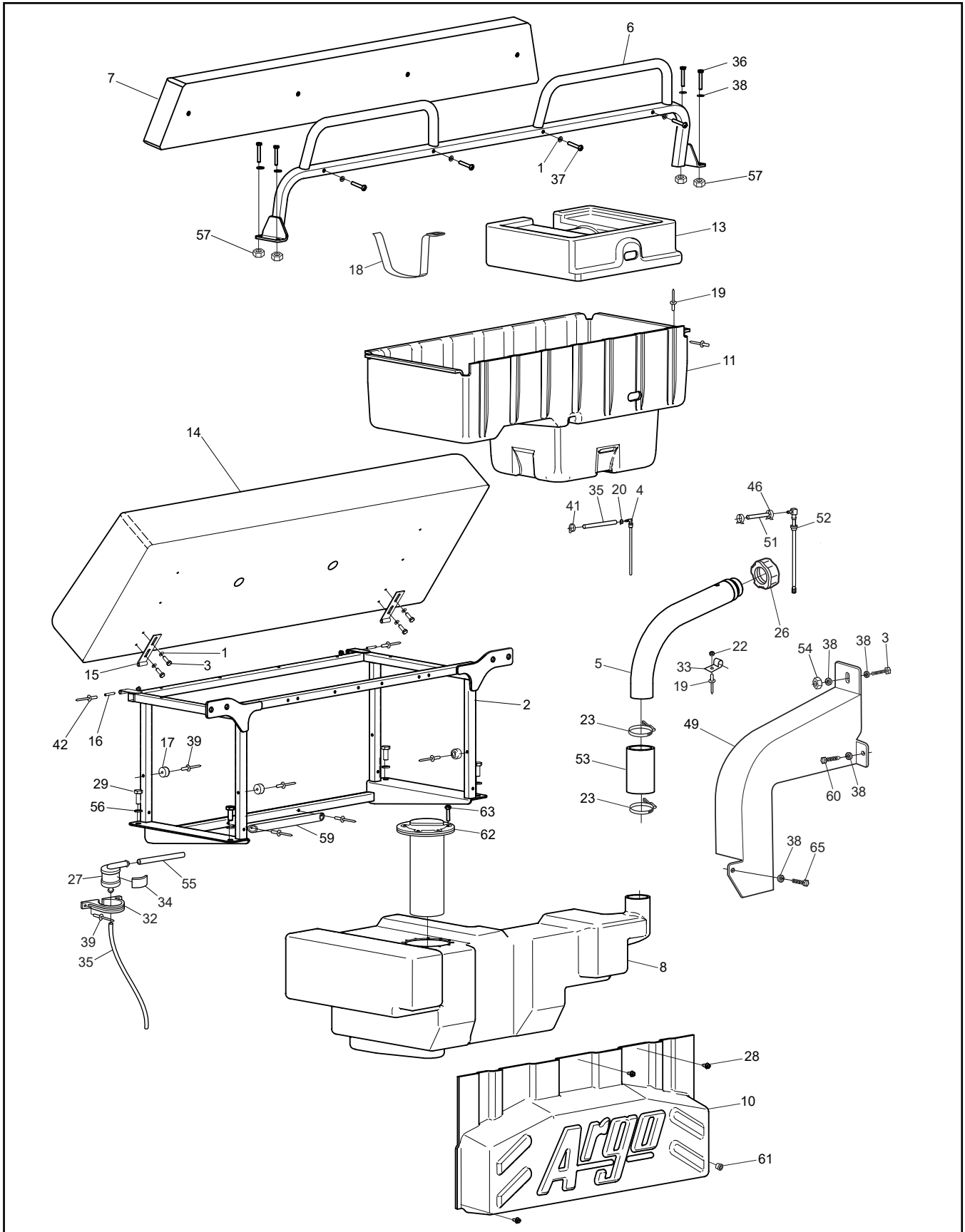
# 12.0 Fuel System & Seat Assembly-XTI Conquest Parts Manual



# Conquest Parts Manual 12.0 Fuel System & Seat Assembly-XTI

Ref.	Qty.	Part #	Description	Ref.	Qty.	Part #	Description
1	11	108-03	Lockwasher 1/4 Split Ring Zn	53	.5	125-94	Hose, Filler
2	1	950-13	Wldt, Bench Frame, XT	54	1	117-27	Locknut, Nylon 1/4-20 Zn
3	5	112-04	HHCS 1/4-20x3/4 Gr2 Zn	55	1	126-101RM	Hose, Vent 3/16" ID
4	1	608-138	Return, Fuel Port	56	4	108-67	Lockwasher M10 Split-Ring Zn
5	1	950-31	Tube Ass'y, Fuel Fill - XT	57	4	112-115	Locknut, Nylon M6 x 1 Zn
6	1	950-08	Frame Ass'y, Backrest - XT	58	1	127-276	Clamp, Loop, 2-1/4"-XT
7	1	608-39	Back Pad Assembly	59	1	952-146	Bumper, Fuel Tank - XT
8	1	951-18	Tank, Fuel Loperm - XT	60	1	112-102	Screw, Self Drill 12-14x3/4"
9	4	112-133	HHCS M10x1,5x35mmZn-8.8	61	1	117-79	Insert, M6x1,0 -10 mm OD
10	1	951-11	Cover, Fuel Comps - XT	62	1	953-39	Sender, Fuel - 5.5-15.5 (Prior to S.N. 34049)
11	1	951-09	Toolbox, XT - Bench Seat		1	953-53	Sender, Dip Tube (From S.N. 34049)
12	8	108-15	Washer .42x.81x.05 Zn	63	5	112-221	PHMS, Phil 10-32 x 5/8" (Prior to S.N. 34049)
13	1	951-10	Cover, Battery -XT		5	112-231	PHMS, M5 - 0.8 x 20 (From S.N. 34049)
14	1	608-88	Seat Assembly, Bench - Thick	64	1	953-40	Hardware, Fuel Sender (Prior to S.N. 34049) Not shown
15	2	608-81	Hinge, Seat, Bolted	65	1	112-220	HHCS M6x1X20mm Gr Zn
16	2	104-43	Pin, 3/16" x 1-1/8"				<b>United States Vehicle Kit</b>
17	3	126-102	Bumper, Recessed Hole	8	1	951-18	Tank, Fuel Loperm - XT
18	1	608-56	Strap, Battery	1	1	127-273	Plate, Serial Blank Double
19	17	120-09	Rivet 3/16x1 - Black	1	1	127-274	Label, U.S EPA EVAP Approval
20	4	112-79	Clamp, Hose, 1/2" - Red	66	2	120-24	Rivet, Alum - 3/32 x 3/8 Black
21	1	608-69	Hose, Fuel 5/16" ID x 7.5' - Carb				<b>California Vehicle Kit</b>
22	10	120-04	Washer .19 x .50 x .08 Zn	8	1	608-120	Tank, Fuel Low Permeation
23	2	100-12	Clamp, Gear 2.25" HF-36	1	1	127-273	Plate, Serial Blank Double
24	4	117-60	Locknut, Nyloc M10x1.5mm Zn	1	1	127-274	Label, U.S EPA EVAP Approval
25	1	112-253	Clamp, Fuel Injection 1/4"	39	2	120-13	Rivet - 3/16 x 3/4 Black
26	1	126-100	Fuel Cap, Tethered	66	4	120-24	Rivet, Alum - 3/32 x 3/8 Black
27	1	609-47	Valve, Rollover		1	127-275	Label, Carb EVAP Approval
28	4	112-19	Screw, IHWH T/C Slot 1/4- 20x1/2	67	1	126-101RM	Hose, Vent 3/16" ID
29	4	112-93	HHCS M10 x 1,5 x 25mm	68	1	609-45	Carbon Canister 800cc
32	1	609-50	Clamp, Rollover Valve	69	1	609-46	Bracket, Carbon Canister
33	7	126-93	Clamp, Nylon Wire - 1/2" ID	70	2	609-48	Reducer, Barbed 1/4" to3/16"
34	1	126-60	Vinyl Strip 1/2" x 1/4"	71	2	127-160-3	Hose, 1/4IDx3/8OD - 3" Long
35	1.25'	127-160RM	Tubing, 1/4 ID Clear Plastic	72	2	120-05	Washer .19x.50x.04 Zn
36	4	112-98	HHCS M6 x 1 x 40mm Zn				
37	4	103-03	PHMS, Phil 1/4-20 x 1.50 Zn				
38	8	108-08	Washer .28 x .62 x .07 Zn				
39	33	120-13	Rivet, 3/16 x 3/4 Black				
41	5	112-243	Clamp, Fuel Injection 5/16"				
42	4	120-31	Rivet, 3/16" x 1/4, Open End				
43	1	24 393 52	Fuel Pump, EFI				
44	1	608-136	Grommet, Fuel Return				
45	1	24 403 16	Regulator, Fuel Pressure				
46	2	112-78	Clamp, Hose, 9/16				
47	1	24 050 03	Filter, Fuel Line - EFI - c/w engine				
48	1	103-25	PHMS 10-24x3/4 Zn				
49	1	950-22	Cover, Fuel Fill, XT				
51	2"	608-69RM	Hose, Fuel - 5/16" ID Carb				
52	1	953-23	Pick-up, Fuel, XT				

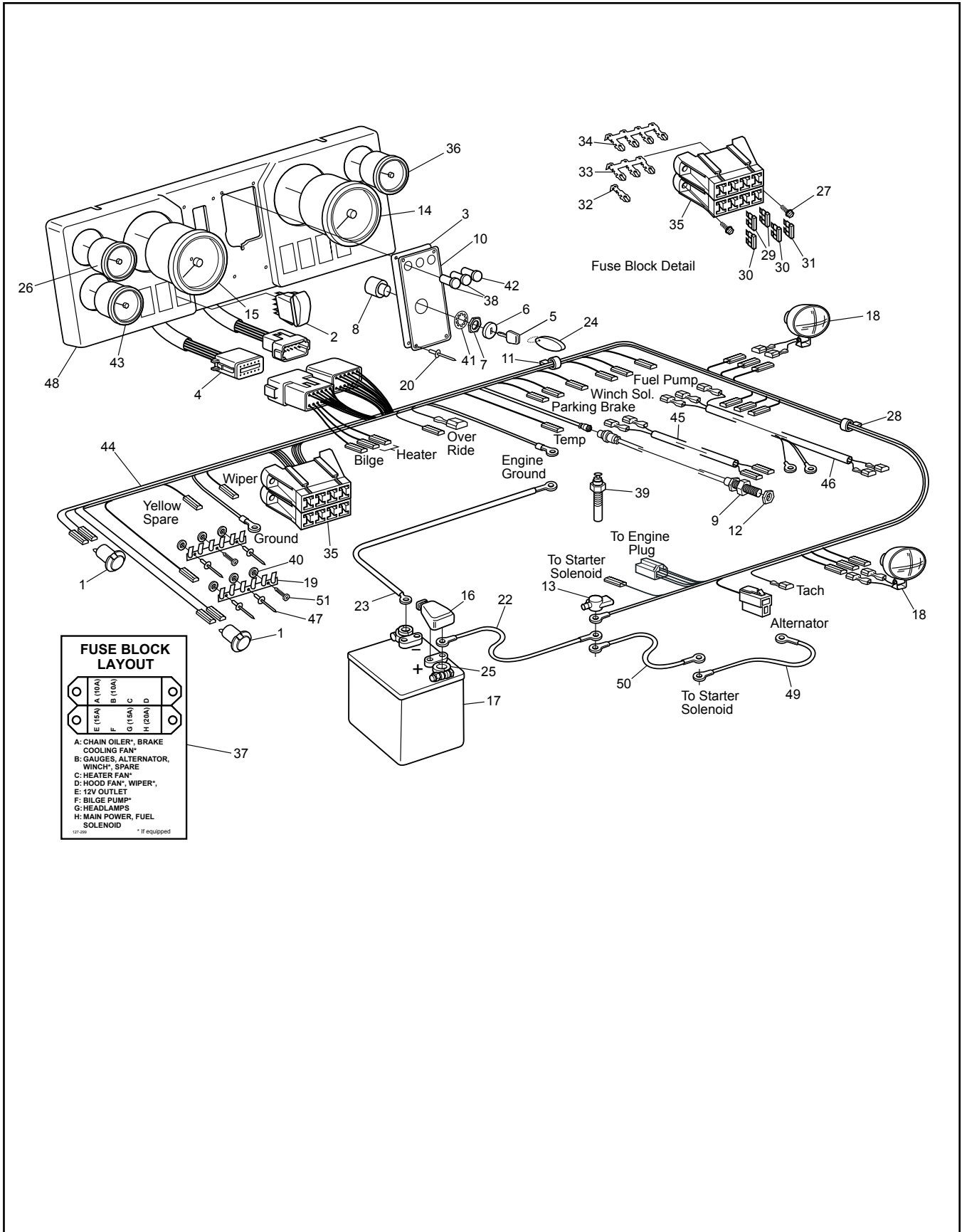
# 12.0 Fuel System & Seat Assembly-XTD Conquest Parts Manual



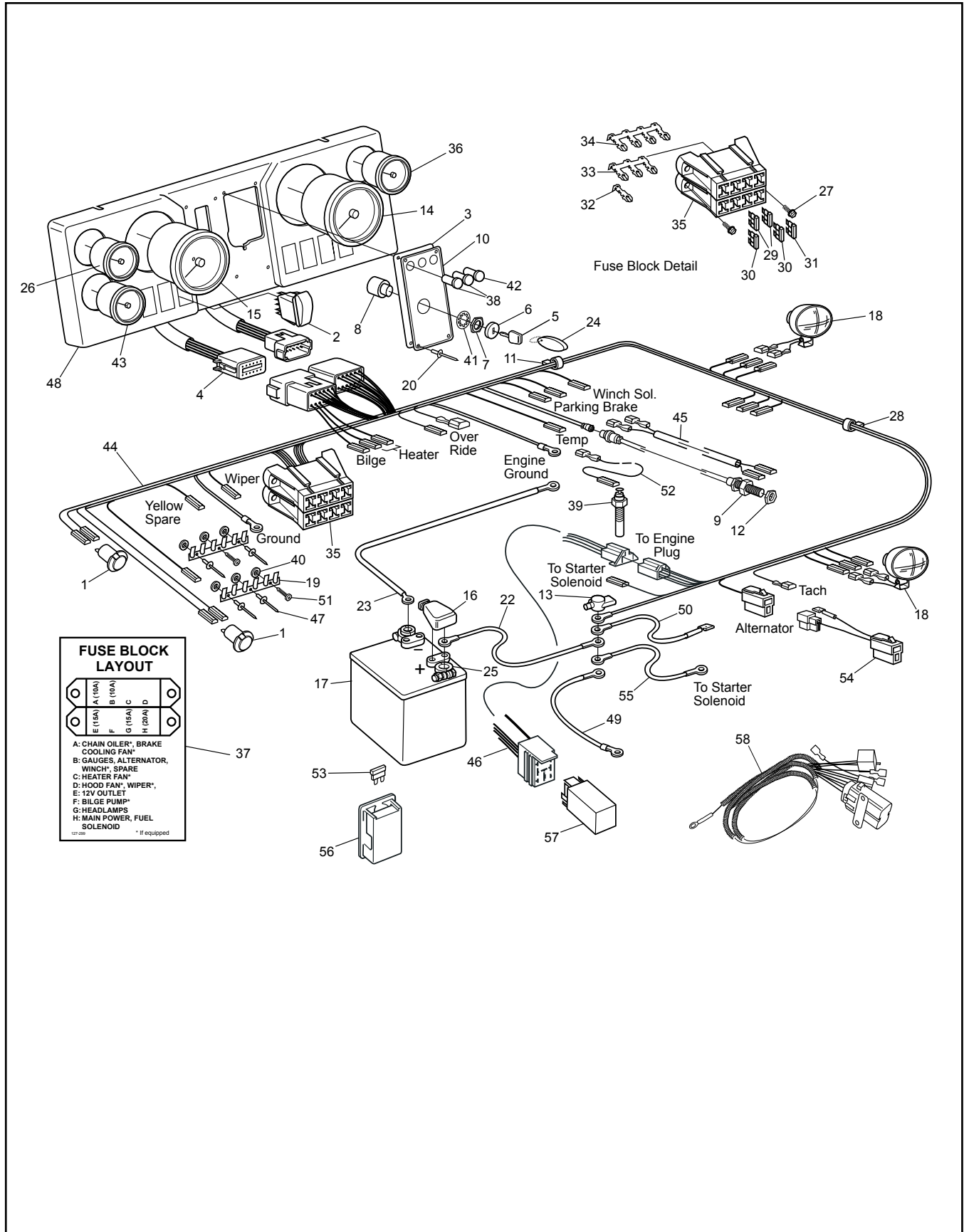


# Conquest Parts Manual 12.0 Fuel System & Seat Assembly-XTD

Ref.	Qty.	Part #	Description	Ref.	Qty.	Part #	Description
1	11	108-03	Lockwasher 1/4 Split Ring Zn	50	1	808-133	Reducer, 5/16" to 1/4"
2	1	950-13	Wldt, Bench Frame, XT				Barbed
3	5	112-04	HHCS 1/4-20x3/4 Gr2 Zn	51	2"	608-69RM	Hose, Fuel - 5/16" ID Carb
4	1	608-138	Return, Fuel Port	52	1	953-23	Pick-up, Fuel, XT
5	1	950-31	Tube Ass'y, Fuel Fill - XT	53	.5	125-94	Hose, Filler
6	1	950-08	Frame Ass'y, Backrest - XT	54	1	117-27	Locknut, Nylon 1/4-20 Zn
7	1	608-39	Back Pad Assembly	55	1	608-146-4	Hose, Fuel-3/16"ID x 4"LG
8	1	951-18	Tank, Fuel Loperm - XT	56	4	108-67	Lockwasher M10 Split-Ring Zn
9	2	103-77	HHCS, 1/4-28 x 2.0	57	4	112-115	Locknut, Nylon M6 x 1 Zn
10	1	951-11	Cover, Fuel Comps - XT	58	1	609-48	Reducer, Barbed 1/4" to 3/16"
11	1	951-09	Toolbox, XT - Bench Seat	59	1	952-146	Bumper, Fuel Tank - XT
12	1		<b>See Section 13.0 Electrical System</b>	60	1	112-102	Screw, Self Drill 12-14x3/4"
13	1	951-10	Cover, Battery -XT	61	1	117-79	Insert, M6x1,0 -10 mm OD
14	1	608-88	Seat Assembly, Bench - Thick	62	1	953-53	Sender, Dip Tube
15	2	608-81	Hinge, Seat, Bolted	63	5	112-231	PHMS, M5 - 0.8 x 20
16	2	104-43	Pin, 3/16" x 1-1/8"	64	1	808-133	Reducer, 5/16" to 1/4"
17	3	126-102	Bumper, Recessed Hole				Barbed
18	1	608-56	Strap, Battery	65	1	112-220	HHCS M6x1X20mm Gr Zn
19	17	120-09	Rivet 3/16x1 - Black				
20	2	112-79	Clamp, Hose, 1/2" - Black				
21	1	608-69	Hose, Fuel 5/16" ID x 7.5' - Carb				
22	7	120-04	Washer .19 x .50 x .08 Zn				
23	2	100-12	Clamp, Gear 2.25" HF-36				
25	1	112-07	RHMS 10-24 x 1.50 Zn				
26	1	126-100	Fuel Cap, Tethered				
27	1	609-47	Valve, Rollover				
28	4	112-19	Screw, IHWH T/C Slot 1/4-20x1/2				
29	4	112-93	HHCS M10 x 1,5 x 25mm				
30	10	108-42	Washer .21 x 1.0x.06 Zn				
31	3	117-10	Locknut, Nylon #10-24 Zn				
32	1	609-50	Clamp, Rollover Valve				
33	7	126-93	Clamp, Nylon Wire - 1/2" ID				
34	1	126-60	Vinyl Strip 1/2" x 1/4"				
35	72"	127-160RM	Tubing, 1/4 ID Clear Plastic				
36	4	112-98	HHCS M6 x 1 x 40mm Zn				
37	4	103-03	PHMS, Phil 1/4-20 x 1.50 Zn				
38	8	108-08	Washer .28 x .62 x .07 Zn				
39	33	120-13	Rivet, 3/16 x 3/4 Black				
40	1	608-137	Plug, Push-In				
41	2	112-243	Clamp, Fuel Injection 5/16"				
42	4	120-31	Rivet, 3/16" x 1/4, Open End				
43	1	608-68-4	Hose, Fuel-1/4"ID x 4"LG				
44	1	608-136	Grommet, Fuel Return				
45	1	608-68	Hose, Fuel -1/4"ID, Bio-Diesel				
46	2	112-78	Clamp, Hose, 9/16				
47	1	608-69	Hose, Fuel-5/16" ID, Carb-10'				
48	1	103-25	PHMS 10-24x3/4 Zn				
49	1	950-22	Cover, Fuel Fill, XT				



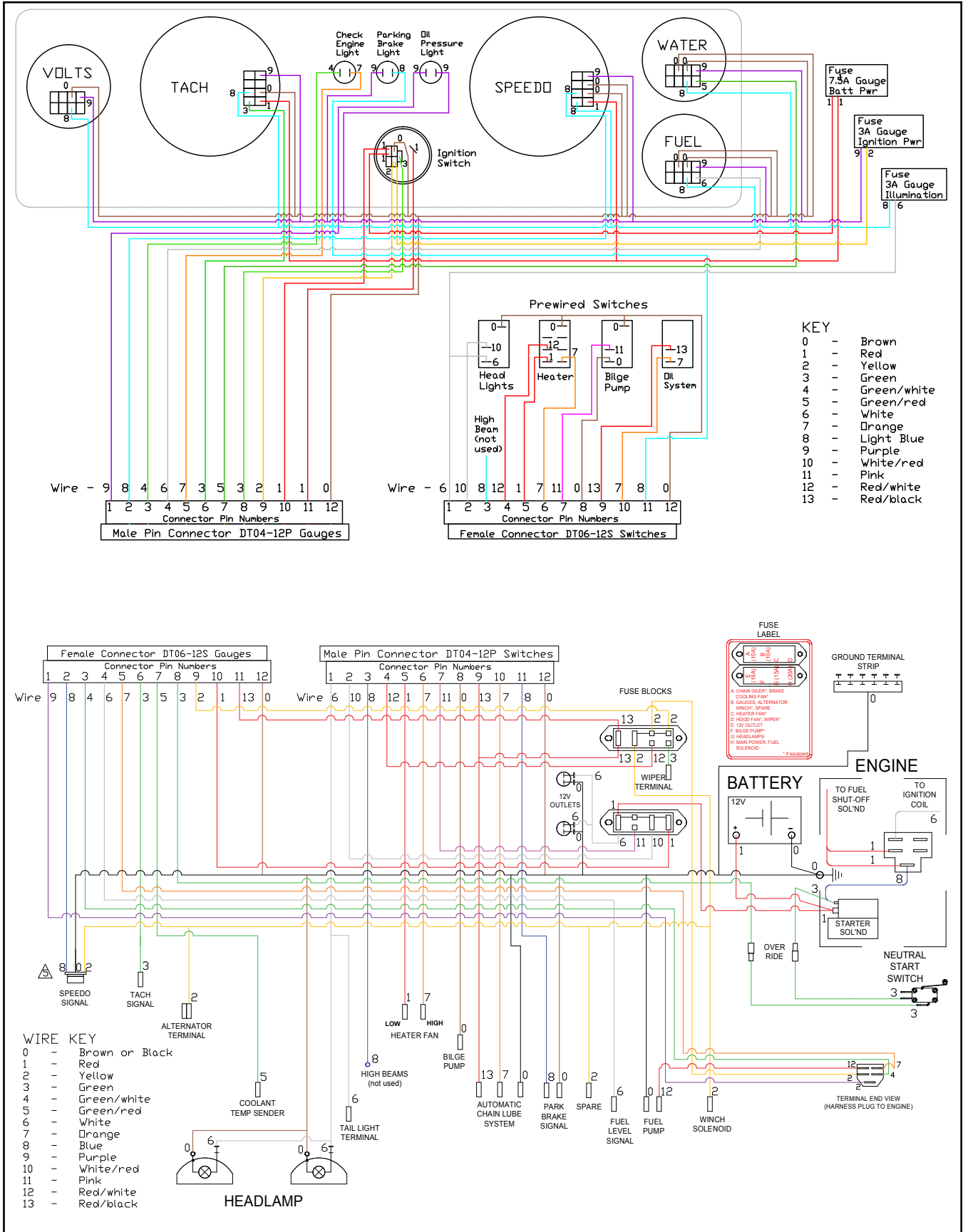
Ref.	Qty.	Part #	Description
1	2	613-90	Outlet, 12 Volt DC
2	1	613-153	Switch, Light
3	1	127-234	Plate, Ignition - XT
4	1	613-181	Wire Harness, Gauges XT
5	2	127-108	Key, Molded
6	1	127-107	Bezel - Cover, Nut
7	1	127-106	Nut, Flanged - Plastic
8	1	127-105	Switch - Ignition
9	1	613-126	Sensor, Speedo Pickup
10	1	127-236	Label, Ignition-XT
11	4	127-24	Clamp, Nylon - 1" ID
12	1	117-87	Nut, M12 x 1.25, Zn
13	1	613-124	Insulator, 2 Way w/cap, Red
14	1	613-184	Gauge, Tachometer - XT
15	1	613-185	Gauge, Speedometer 0-45K XT
16	1	127-55	Cap, Battery Terminal - Red
17	1	126-108	Battery, 12V, XT
18	2	613-175	Headlight, 12V Bottom Mnt - XT
19	2	613-37	Terminal Strip, Ground
20	4	120-33	Rivet, 1/8 x 1/2 Black
21	1	613-46	Insulator, Terminal (2 ga.)
22	1	613-197	Wire, Positive Battery XT
23	1	613-198	Wire, Negative Battery XT
24	1	681-00	FOB, Key - Floating
25	2	127-56	Terminal, Battery Post
26	1	613-186	Gauge, Coolant Temp XT
27	2	112-51	Screw, IHWH T/C #10-24 x 5/8
28	4	126-93	Clamp, Nylon Wire - 1/2" ID
29	2	118-52	Fuse, 10A 2 Prong (AT010)
30	2	118-49	Fuse, 15A 2 Prong (AT015)
31	1	118-53	Fuse, 20A 2 Prong (AT020)
32	9	118-62	Terminal - Fuse, single
33	1	118-63	Terminal - Fuse, triple
34	1	118-61	Terminal - Fuse, quad
35	2	118-60	Block - Fuse, 8 position (4 fuse)
36	1	613-187	Gauge, Battery Voltage XT
37	1	127-299	Label, Fuse Panel - XT
38	2	613-191	Light, Indicator Red
39	1	119-11	Sender, Coolant Temp, VDO
41	1	114-26	Lockwasher, 5/8 Int. Tooth
42	1	613-192	Light, Indicator Amber
43	1	613-199	Gauge, Fuel Level XT
44	1	613-176	Wire Harness, Kohler EFI XT
45	1	613-177	Wire Harness, Park Brake XT
46	1	613-178	Wire Harness, Fuel Pump XT
48	1	613-180	Dash Asm, Panel Gauge Wire XT
49	1	613-182	Wire Harness, Alternator XT
50	1	613-183	Wire Harness, Power XT



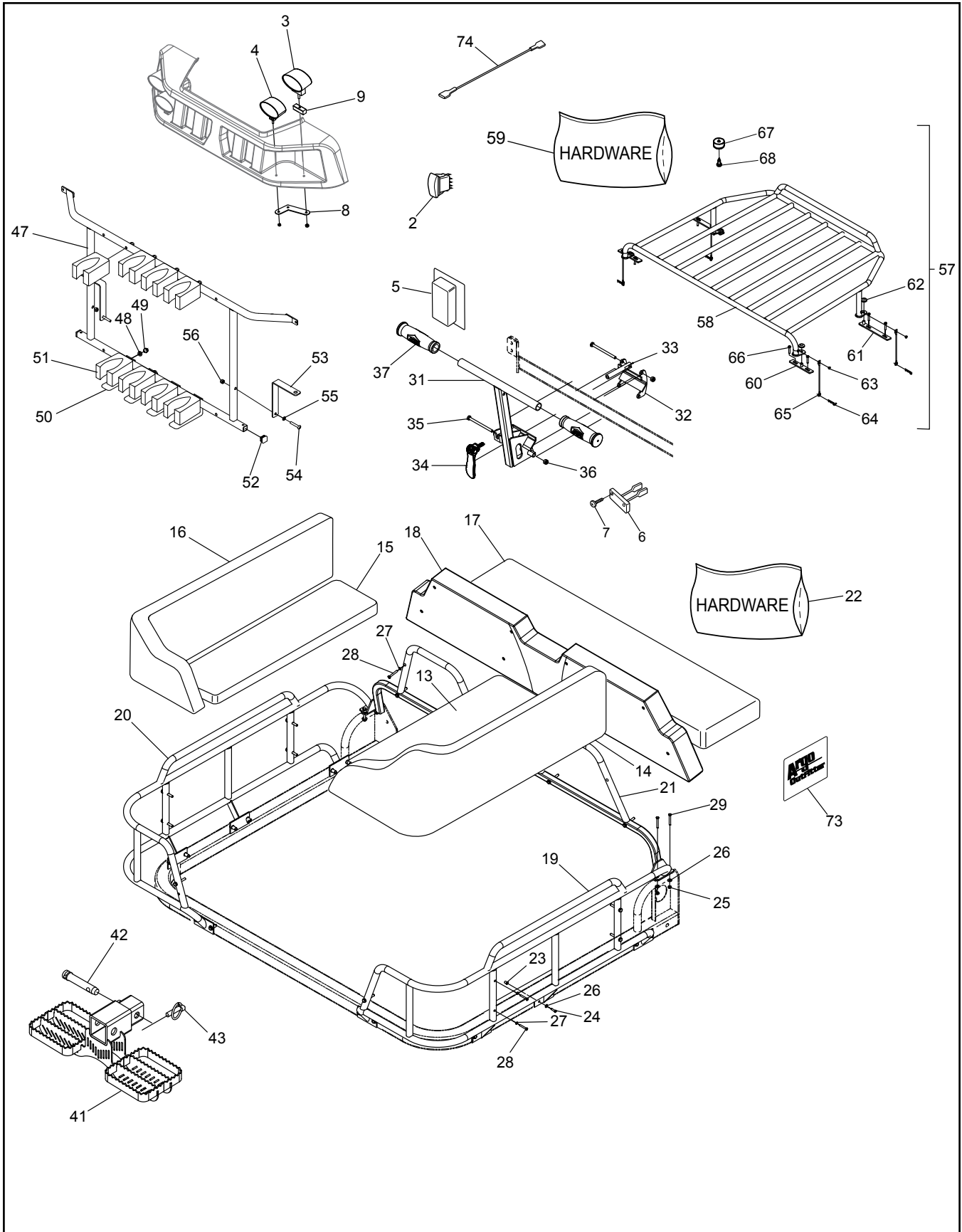
# Conquest Parts Manual

# 13.0 Electrical System - XTD

Ref.	Qty.	Part #	Description	Ref.	Qty.	Part #	Description
1	2	613-90	Outlet, 12 Volt DC	46	1	613-212	Wire Harness, KDW1003 - XTD
2	1	613-153	Switch, Light	47	2	120-15	Rivet - 1/8 x 7/16
3	1	127-234	Plate, Ignition - XT	48	1	613-180	Dash Asm, Panel Gauge
4	1	613-181	Wire Harness, Gauges XT				Wire XT
5	2	127-108	Key, Molded	49	1	613-214	Wire Harness, Glow Fuse - XTD
6	1	127-107	Bezel - Cover, Nut	50	1	613-215	Wire Harness, Alt. Out - XTD
7	1	127-106	Nut, Flanged - Plastic	51	1	112-102	Screw, Self Drill 12-14 x 3/4"
8	1	127-105	Switch - Ignition	52	1	613-219	Wire Harness, Eng Temp - XTD
9	1	613-126	Sensor, Speedo Pickup	53	1	118-76	Fuse, 50A, Maxi
10	1	127-290	Label, Ignition - XTD	54	1	613-213	Wire Harness, Alternator - XTD
11	4	127-24	Clamp, Nylon - 1" ID	55	1	613-216	Wire Harness, Starter - XTD
12	1	117-87	Nut, M12 x 1.25, Zn	56	1	613-218	Holder, Fuse, Maxi
13	1	613-124	Insulator, 2 Way w/cap, Red	57	1	ED0021931340-S	Relay
14	1	613-184	Gauge, Tachometer - XT	58	1	613-260	Harness, Neutral Bypass
15	1	613-185	Gauge, Speedometer 0-45K XT				Relay
16	1	127-55	Cap, Battery Terminal - Red				
17	1	126-108	Battery, 12V, XT				
18	2	613-175	Headlight, 12V Bottom Mnt - XT				
19	2	613-37	Terminal Strip, Ground				
20	4	120-33	Rivet, 1/8 x 1/2 Black				
21	1	613-46	Insulator, Terminal (2 ga.)				
22	1	613-197	Wire, Positive Battery XT				
23	1	613-198	Wire, Negative Battery XT				
24	1	681-00	FOB, Key - Floating				
25	2	127-56	Terminal, Battery Post				
26	1	613-186	Gauge, Coolant Temp XT				
27	2	112-51	Screw, IHWH T/C #10-24 x 5/8				
28	4	126-93	Clamp, Nylon Wire - 1/2" ID				
29	2	118-52	Fuse, 10A 2 Prong (AT010)				
30	2	118-49	Fuse, 15A 2 Prong (AT015)				
31	1	118-53	Fuse, 20A 2 Prong (AT020)				
32	9	118-62	Terminal - Fuse, single				
33	1	118-63	Terminal - Fuse, triple				
34	1	118-61	Terminal - Fuse, quad				
35	2	118-60	Block - Fuse, 8 position (4 fuse)				
36	1	613-187	Gauge, Battery Voltage XT				
37	1	127-143	Label, Fuse Panel - XT				
38	2	613-191	Light, Indicator Red				
39	1	119-11	Sender, Coolant Temp, VDO				
40	6	120-04	Washer .19 x .50 x.08 Zn				
41	1	114-26	Lockwasher, 5/8 Int. Tooth				
42	1	613-192	Light, Indicator Amber				
43	1	613-199	Gauge, Fuel Level XT				
44	1	613-176	Wire Harness, Kohler EFI XT				
45	1	613-177	Wire Harness, Park Brake XT				





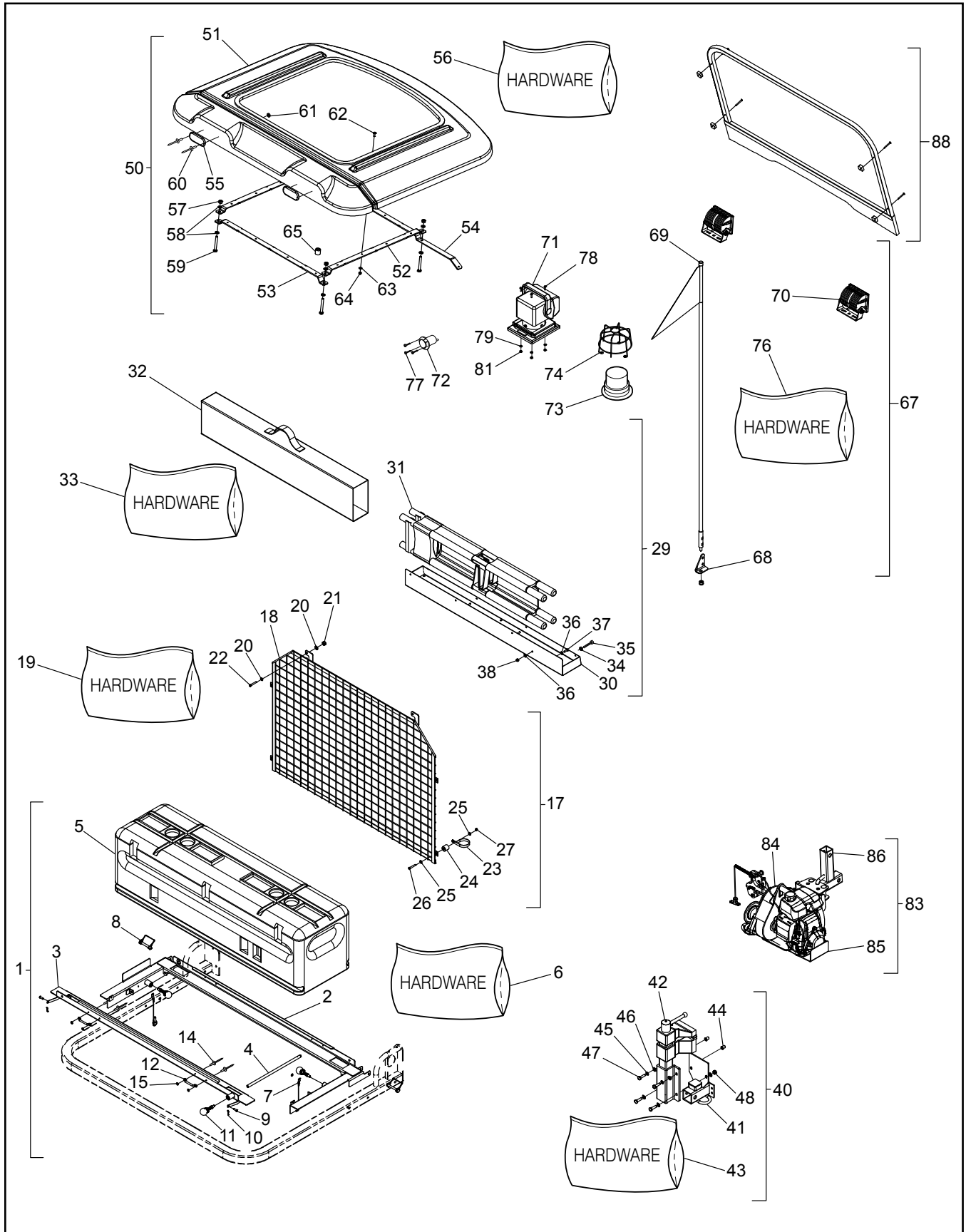




# Conquest Parts Manual

# 14.0 Outfitter

Ref.	Qty.	Part #	Description	Ref.	Qty.	Part #	Description
2	1	613-77	Switch, Light Hi/Low	54	2	108-03	Lockwasher 1/4 Split Ring Zn
3	2	613-234	Light, Cree LED Work, 20W	55	2	103-03	PHMS 1/4-20x1.50 Zn
4	2	613-235	Light, Led Work, 24W	56	2	117-27	Locknut, Nylon 1/4-20 Zn
5	2	613-239	Heated Hand Grips	57	1	958-222	Hood Rack, XT (incl. Ref. 58-68)
6	3	613-99	Light, Shifter Illumination	58	1	958-223	Wldt, Hood Rack, XT
7	9	112-139	OHPS T/S #4x5/8 Black Zn	<b>59</b>	<b>1</b>	<b>958-222HDW</b>	<b>Acc. Hood Rack, XT Hardware (incl. Ref. 60-68)</b>
8	2	958-273	Bracket, Headlight, XT	60	2	958-268	Wldt, Hood Rack Mount - Rear
9	2	958-270	Plastic, Headlight Spcr, Outftr	61	2	958-269	Wldt, Hood Rack Mount - Front
13	1	958-256	Seat, RH Rear Bench, Outftr	62	4	127-132	Grommet, Rubber - 1/2" ID
14	1	958-255	Seat, RH Rear Back Rest, Outftr	63	4	120-31	Rivet, 3/16" x 1/4", Open End
15	1	958-254	Seat, LH Rear Bench, Outftr	64	4	100-16	Clip, Hitch Pin 1.625 Zn
16	1	958-253	Seat, LH Rear Back Rest, Outftr	65	4	104-80	Lanyard, 6" Loop, W/Tab
17	1	958-319	Seat, Front Bench, Wild.	66	8	112-176	HHCS M6x1,0x30mm Zn
18	1	850-320	Seat, Front Back Rest, Wild.	67	2	126-102	Bumper, Recessed Hole
19	1	958-263	Wldt, RH Rear Seat Frm, Outftr	68	2	103-48	T/S Pan Hd Phil #10x5/8 A Blk
20	1	958-257	Wldt, LH Rear Seat Frm, Outftr	72	2	638-08	Hull Fitting 3/4" *Bilge Pump Acc*
21	1	958-267	XT Outftr Back Rest	73	2	958-266	Nameplate, Argo Outfitter
<b>22</b>	<b>1</b>	<b>958-250HDW</b>	<b>HDW Acc, Outfitter Seating</b>	74	1	613-258	Wire, Fog Light Acc
23	16	117-79	Insert, M6x1,0 -10 mm OD	Outfitter trim package also includes the following standard Argo accessories: 622-133 Winch 958-165 Brush Guard 958-71 Bilge Pump			
24	16	112-97	HHCS M6x1,0x25mm Zn				
25	4	112-115	Locknut, Nylon M6x1 Zn				
26	20	108-08	Washer .28x.62x.07 Zn				
27	18	108-03	Lockwasher 1/4 Split Ring Zn				
28	22	112-297	HHCS 1/4-20 x 1.75 Zn				
29	4	112-299	HHCS M6x1,0x50mm Zn				
31	1	958-244	Wldt, Grab Handle, XT				
32	1	950-11	Wldt, Steering Bracket				
33	1	953-07	Nut, Toggle				
34	1	953-03	Handle, Quick Cam				
35	2	103-111	HHCS 1/4-20x3.5 Zn				
36	2	117-27	Locknut, Nylon 1/4-20 Zn				
37	2	127-35	Grip, Molded Rubber				
41	1	958-243	Wldt, Rear Step, XT				
42	1	104-13	Pin, Top Link				
43	1	104-11	Pin Lynch Locking-Ring				
47	1	958-238	Wldt, Gun Rack, XT				
48	8	642-74	Lockwasher 5/16 Split Blk Zn				
49	8	642-75	Nut, Acorn 5/16-18 Blk Zn				
50	4	848-206	Butt Plate				
51	8	848-207	Sure Grip Head W/Velcro				
52	2	867-18	Plug, End 3/4" Tube-Black				
53	2	958-237	Brkt, Gun Rack Support, XT				



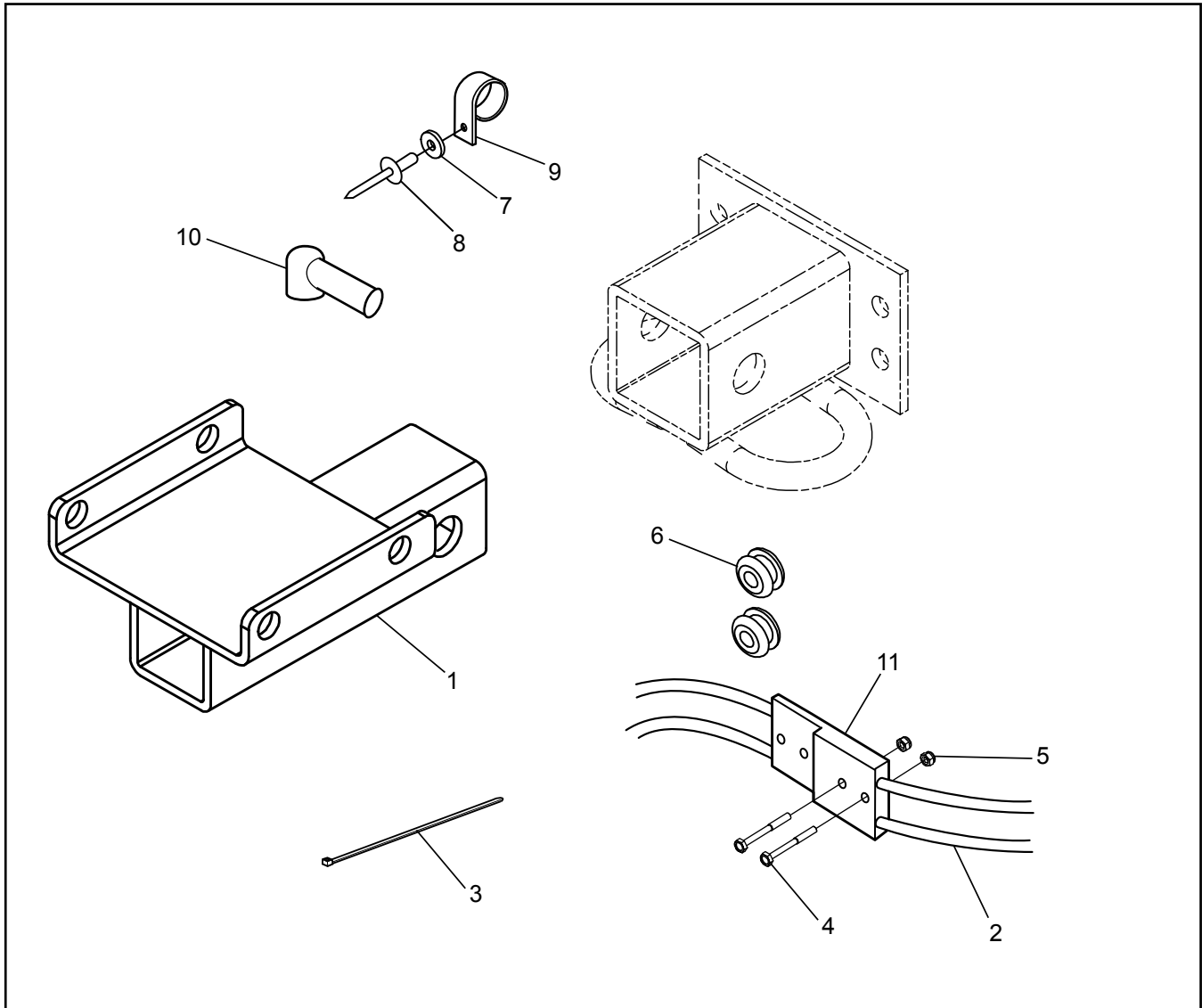
# Conquest Parts Manual

# 15.0 Lineman

Ref.	Qty.	Part #	Description	Ref.	Qty.	Part #	Description
1	1	958-300	Acc, Rear Rack, XT	50	1	958-317	Acc, Roof, Lineman
2	1	958-302	Wldt, Rear Rack, XT	51	1	958-282	Roof, Clear View, Lineman
3	1	958-303	Wldt, Rack Rail, XT	52	2	958-293	Brkt, Roof Support, XT
4	1	958-321	Rod, Rear Rack, Lineman	53	1	958-107	Brkt, Rr Mnt - XT Hard Top
5	1	958-281	Tool Box, Lineman	54	1	958-106	Brkt, Fr Mnt - XT Hard Top
<b>6</b>	<b>1</b>	<b>958-300HDW</b>	<b>Acc, Rear Rack, Hardware</b>	55	2	127-01	Reflector, Red
7	2	104-86	Pin, Quick Release 3/8x.5 W/Lanyard	<b>56</b>	<b>1</b>	<b>958-317HDW</b>	<b>Acc, Roof, Lineman, Hardware</b>
8	2	104-45	Pin, Safety, 3/8x2-1/4	57	4	117-60	Locknut, Nyloc M10x1.5mm Zn
9	2	104-28	Pin, Clevis 1/4 x.780" Zn	58	8	108-101	Washer, 0.41X0.79x0.08 Zn
10	2	104-29	Pin, Cotter 1/16x3/4 Zn	59	4	112-120	HHCS M10x1,5x80mm Zn
11	3	104-70	Pin, 3/8", Weld-In, Spring LD	60	4	120-13	Rivet - 3/16 x 3/4 Black
12	4	808-151	Loop, Footman 2" Zn	61	4	120-05	Washer .19x.50x.04 Zn
13	2	850-304	Restraint, Two 5ft Cot Straps	62	18	103-73	THMS, Phil 1/4-20x.75 Zn
14	10	120-13	Rivet - 3/16 x 3/4 Black	63	18	108-08	Washer .28x.62x.07 Zn
15	10	120-04	Washer .19x.50x.08 Zn	64	18	117-27	Locknut, Nylon 1/4-20 Zn
17	1	958-322	Acc, Rear Screen, Lineman	65	1	126-120	Bumper, Rubber, 1" x 1"
18	1	958-310	Wldt, Rear Screen, Lineman	67	1	958-316	Acc, Lighting, Lineman
<b>19</b>	<b>1</b>	<b>958-322HDW</b>	<b>Acc, Rear Screen, Hardware</b>	68	1	958-323	Brkt, Whip Light, Lineman
20	4	108-15	Washer .42x.81x.05 Zn	69	1	613-256	LED Whip
21	2	117-60	Locknut, Nyloc M10x1.5mm Zn	70	2	613-247	Light, Led Headlight, XT
22	2	112-93	HHCS M10x1,5x25mm	71	1	613-248	Light, Spot, Lineman
23	4	127-276	Clamp, Loop, 2 1/4"-XT	72	1	613-90	Outlet, 12 Volt DC
24	4	126-120	Bumper, Rubber, 1" x 1"	73	1	613-268	Light, Strobe, Amber
25	8	108-08	Washer .28x.62x.07 Zn	74	1	613-275	Strobe, Light Guard
26	4	112-98	HHCS M6x1x40mm Zn	75	1	613-257	Wire Harness, Lights, Lineman
27	4	112-115	Locknut, Nylon M6x1 Zn	<b>76</b>	<b>1</b>	<b>958-316HDW</b>	<b>Acc, Lighting, Lineman, Hardware</b>
29	1	958-318	Acc, Stretcher, Lineman	77	3	112-139	OHPS T/S #4x5/8 Black Zn
30	1	958-294	Stretcher Tray, XT	78	2	103-25	PHMS 10-24x3/4 Zn
31	1	958-279	Stretcher, Ferno	79	3	120-04	Washer .19x.50x.08 Zn
32	1	958-280	Stretcher, Bag, Ferno	81	3	117-10	Locknut, 10-24 N/I Zn
<b>33</b>	<b>1</b>	<b>958-318HDW</b>	<b>Acc, Stretcher, Lineman, Hardware</b>	83	1	958-320	Acc, Capstan Winch, Lineman
34	4	108-03	Lockwasher 1/4 Split Ring Zn	84	1	958-276	Winch Acc, Capstan, Lineman
35	4	112-297	HHCS 1/4-20 x 1.75 Full Thread	85	1	958-277	Winch Acc, Support, Capstan
36	8	108-08	Washer .28x.62x.07 Zn	86	1	958-286	Wldt, Capstan Receiver, XT
37	4	112-04	HHCS 1/4-20x3/4 Gr5 Zn	87	1	622-135	Acc, Rear Receiver Winch
38	4	117-27	Locknut, Nylon 1/4-20 Zn	88	1	958-90	Windshield Asm, XT
40	1	958-319	Acc, Vise, Lineman	89	1	958-130	Acc, Windshield XT Wiper Washer
41	1	958-291	Wldt, Lineman Hitch Receiver				
42	1	958-278	Vise, Wilton, Lineman				
<b>43</b>	<b>1</b>	<b>958-319HDW</b>	<b>Acc, Vise, Lineman, Hardware</b>				
44	2	117-70	Insert, M10x1.5-13.5Mm OD				
45	2	108-67	Lockwasher M10 Split-Ring Zn				
46	6	108-15	Washer .42x.81x.05 Zn				
47	4	112-133	HHCS M10x1,5x35mm Zn				
48	2	117-60	Locknut, Nyloc M10x1.5mm Zn				

# 622-135 Rear Receiver Winch Bracket

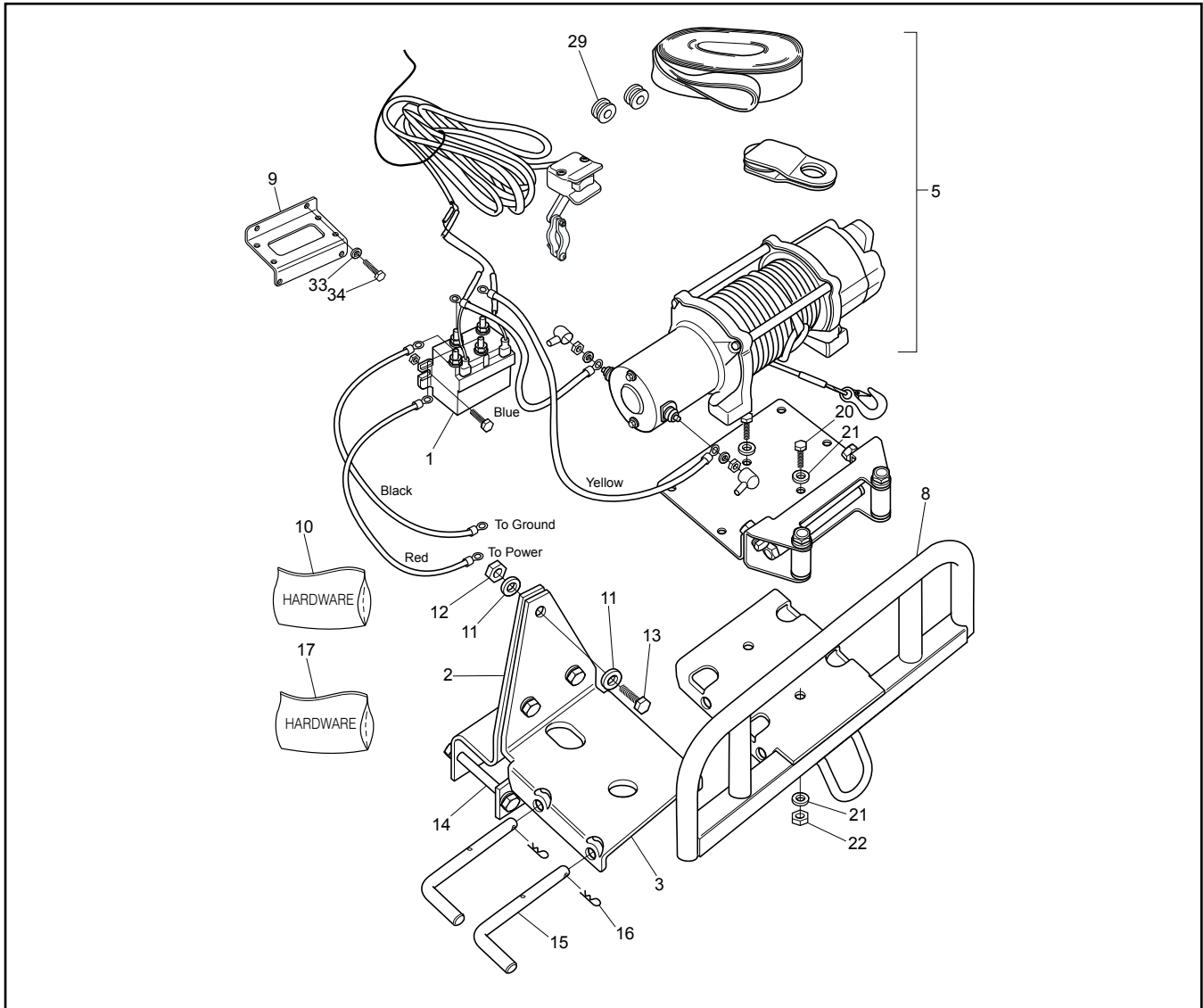
# 16.0 Accessories



Ref.	Qty.	Part #	Description
1	1	622-134	Receiver, Rear Winch
2	1	622-116	Wire Harness, Receiver Winch
3	2	100-64	Tie Wrap - 5.5" - Black
4	2	112-126	HHCS M3x0,5 x 30 Cl 8.8 Zn
5	2	117-78	Locknut, Nylon M3 x 0.5" Zn
6	2	125-84	Grommet, Rubber
7	4	120-04	Washer .19X.50x.08 Zn
8	4	120-09	Rivet - 3/16 x 1.0 Black
9	4	127-287	Clamp, Nylon Wire - 3/4" ID
10	2	613-46	Terminal, Insulator
11	1	118-72	Connector Housing, Anderson

# 16.0 Accessories

# 622-145 Winch

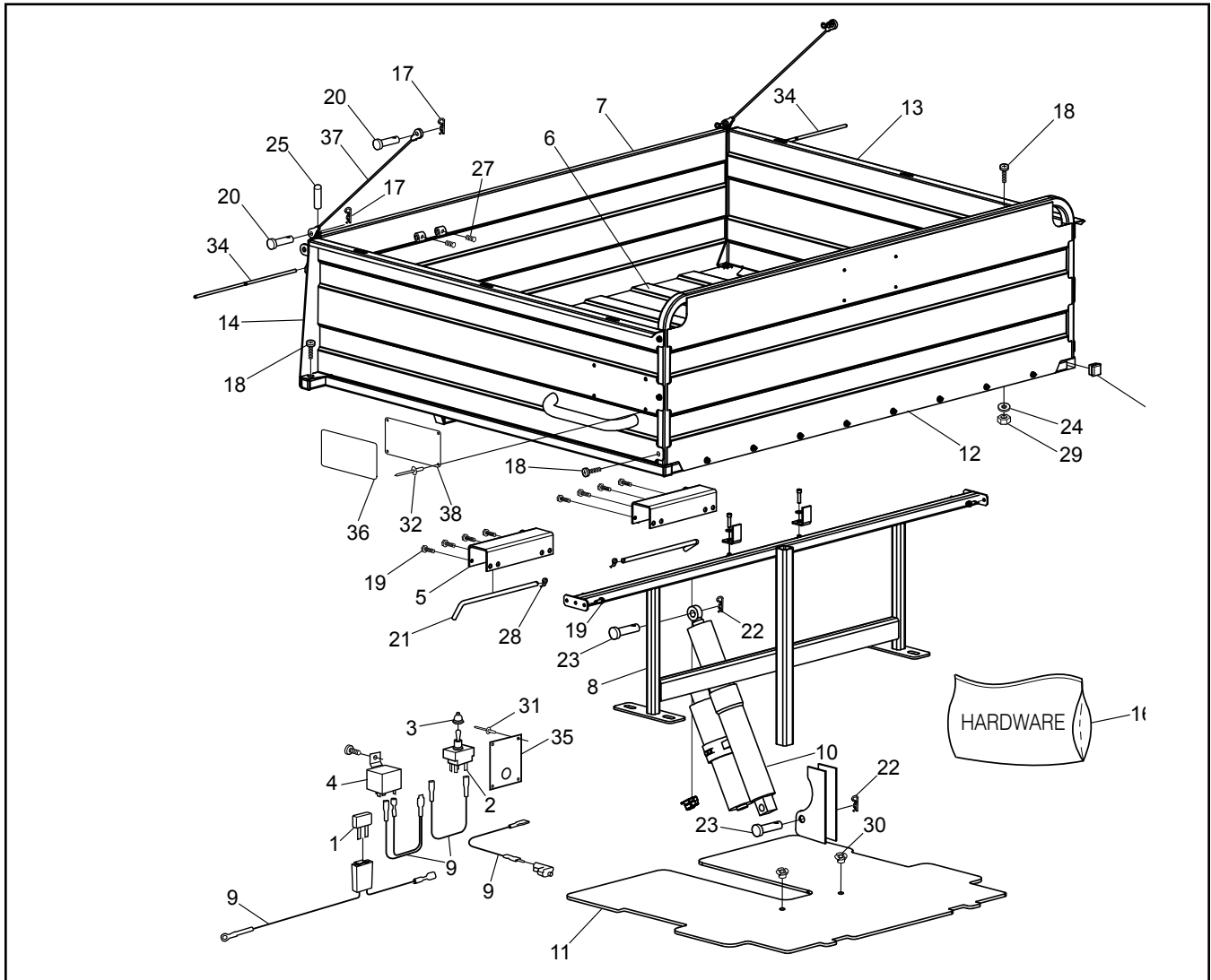


Ref.	Qty.	Part #	Description
1	1	622-141	Solenoid, Winch, Warn
2	1	950-03	ASM, FR INR Winch Supt - XT
3	1	950-04	ASM, FR OTR Winch Supt - XT
5	1	622-140	Winch, Pro Vantage 4500, Warn
8	1	622-130	Winch Mount W/Guard
9	1	953-08	Mount, Engine ECU
<b>10</b>	<b>1</b>	<b>622-131HDW</b>	<b>Hardware Kit Comprised of:</b>
11	10	108-15	Washer .42x.81x.05 Zn
12	5	117-60	Locknut, Nylon 3/8-16 Zn
13	3	112-133	HHCS M10x1,5x35mm Zn
14	2	112-120	HHCS M10x1,5x80mm Zn
15	2	622-85	Release Pin, Receiver Winch
16	2	100-16	Clip, Hitch Pin 1.625 Zn
<b>17</b>	<b>1</b>	<b>622-145HDW</b>	<b>Hardware Kit Comprised of:</b>
18	3	120-09	Rivet - 3/16 x 1.0 Black
19	2	120-04	Washer .19 x .50 x .08 Zn

Ref.	Qty.	Part #	Description
20	2	103-34	HHCS 3/8-16 x 1.25 Gr5 Zn
21	4	108-47	Washer .39 x .94 x .13 Zn
22	2	117-29	Locknut, Nylon 3/8-16 Zn
23	4	100-64	Tie Wrap - 5.5" Black
24	2	112-126	HHCS M3 x 0,5 x 30 CL 8.8 Zn
25	2	117-78	Locknut, Nylon M3 x 0.5" Zn
26	1	118-02	Terminal, Male - #76-1251
27	1	118-04	Connector, T-Tap 14-18 AWG
28	1	118-32	Terminal, 1/4" Male 22-18 AWG
29	2	125-84	Grommet, Rubber
30	1	118-74	Terminal, 5/16" Ring, 6GA
33	2	108-03	Lockwasher 1/4 Split Ring Zn
34	2	112-118	HHCS M6x1,0x15mm
35	2	810-107	Connector, Two Wire - 6 Gauge

# 835-300 XT Dump Box

# 16.0 Accessories

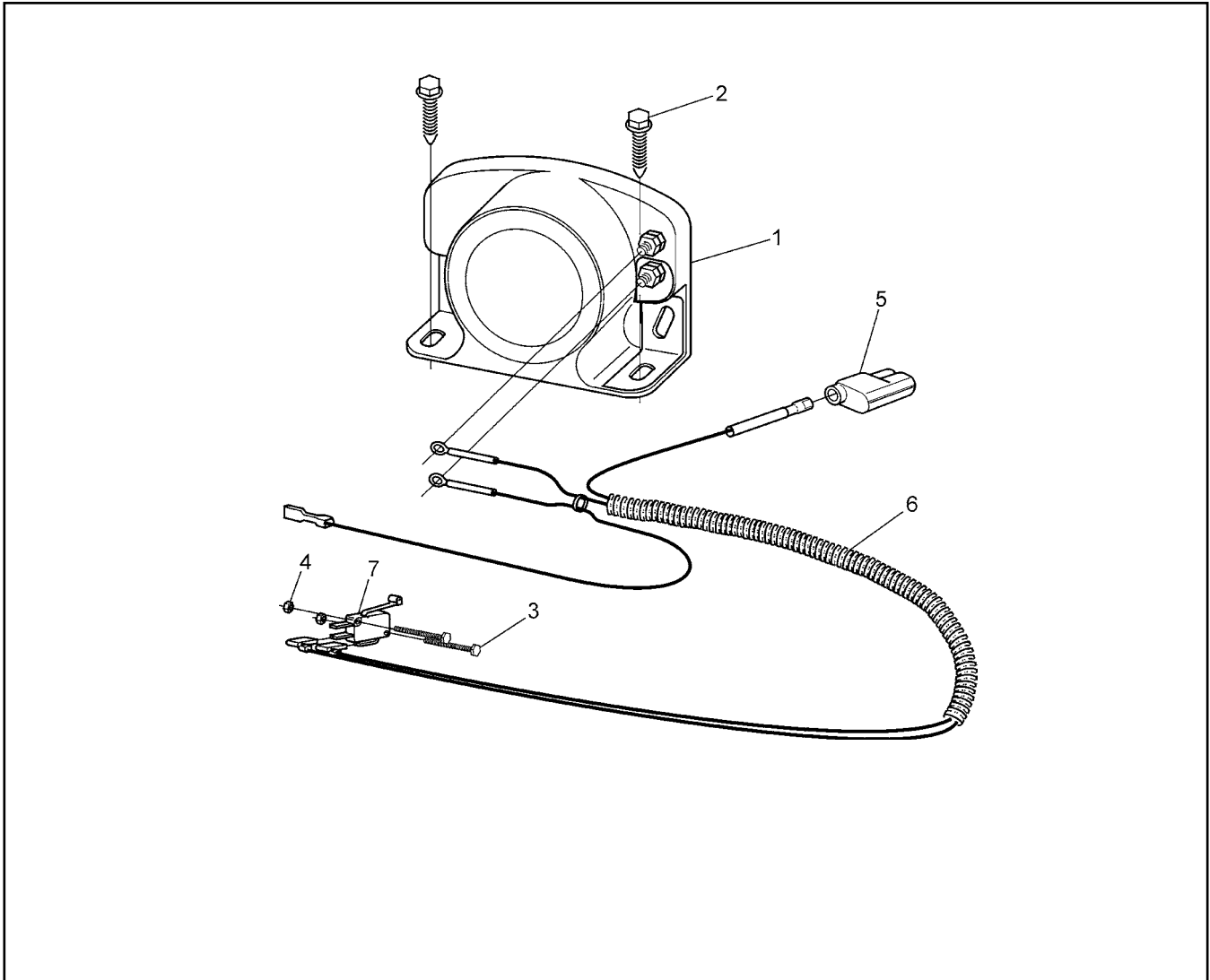


Ref.	Qty.	Part #	Description
1	1	613-83	Breaker, Circuit - 25 Amp
2	1	613-84	Switch, Toggle - 25 Amp-Reversing
3	1	613-85	Seal, Toggle Switch
4	1	613-86	Relay, 40 Amp
5	2	835-160	Hinge, Support Brkt -Cent Dump
6	1	835-301	Dumpbox, Box Asm - XT/Cent
7	1	835-302	Dumpbox, Gate Asm - XT/Cent
8	1	835-303	Dumpbox, Support Asm - XT/Cent
9	1	835-304	Wire Harness Kit, Dumpbox
10	1	835-305	Actuator, 14" Stroke - KYB
11	1	835-306	Floorpan, Flexible - XT/Cent
12	1	835-307	Panel, Front - D-Box XT
13	1	835-308	Panel, Left Side - D-Box XT
14	1	835-309	Panel, Welded Asm - RH Dump
16	1	835-300HDW	<b>Hardware, Dumpbox - CT/XT consisting of the following:</b>
17	4	100-16	Clip, Hitch Pin 1.625 Zn
18	14	103-31	PHMS 1/4-20X5/8 Grade 5 Zn
19	30	103-72	Screw, IHWH T/C Slot 1/4-20x3/4

Ref.	Qty.	Part #	Description
20	4	104-25	Pin, Clevis 3/8x3/4 Zn
21	2	104-32	Pin, Pull
22	2	104-68	Hairpin, Cotter 1/2-3/4 Dia
23	2	104-79	Pin, Clevis 5/8x1.75
24	16	108-08	Washer .28x.62x.07 Zn
25	2	111-09	Pin, Spring 5/32x.75 - Slotted
26	2	112-47	SHCS 1/4-20x1.0 Zn
27	4	112-68	SHSS 1/4-20x1/4 Knurl Pt. Zn
28	2	113-10	Ring, Cotter 3/8" Shaft
29	13	117-27	Locknut, Nylon 1/4-20 Zn
30	2	117-44	T-Nut 10-24 Zn
31	4	120-24	Rivet, Alum - 3/32 x 3/8 Black
32	12	120-25	Rivet - 1/8 x 5/16
33	4	127-282	Plug, 1" Sq Tube
34	2	615-02	Pin, Track - Chamfered+Ground
35	1	835-03	Label, Switch - Dumpbox
36	3	835-102	Label, Warning - Centuar Dumpbox
37	2	835-122	Cable, Dumpbox Tailgate-Cent
38	3	835-166	Mount, Cent Dump Label

# 16.0 Accessories

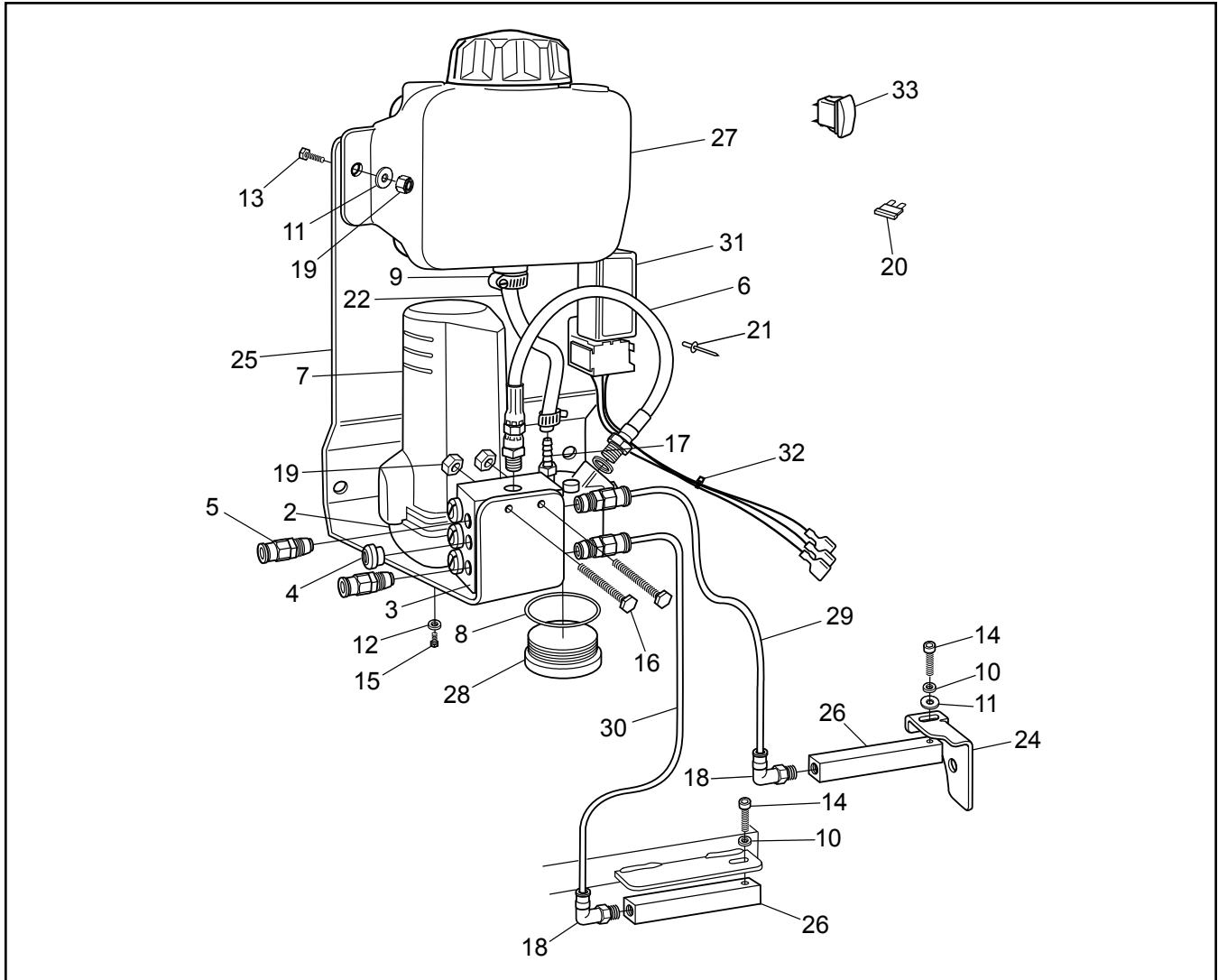
# 850-99 Back-up Alarm



Ref.	Qty.	Part #	Description
1	1	848-126	Alarm, Back-up
2	2	112-102	Screw, Self-Drill 12-14 x 3/4"
3	2	112-126	HHCS M3x0,5x30 CL 8.8 Zn
4	2	117-78	Locknut, Nylon M3x 0.5" Zn
5	1	118-04	Connector, T-Tap 14-18 Awg
6	1	613-113	Wire Harness, Back-up Alarm
7	1	809-202	Switch, Limit - Two Pole

# 850-228 Auto Lube System

# 16.0 Accessories



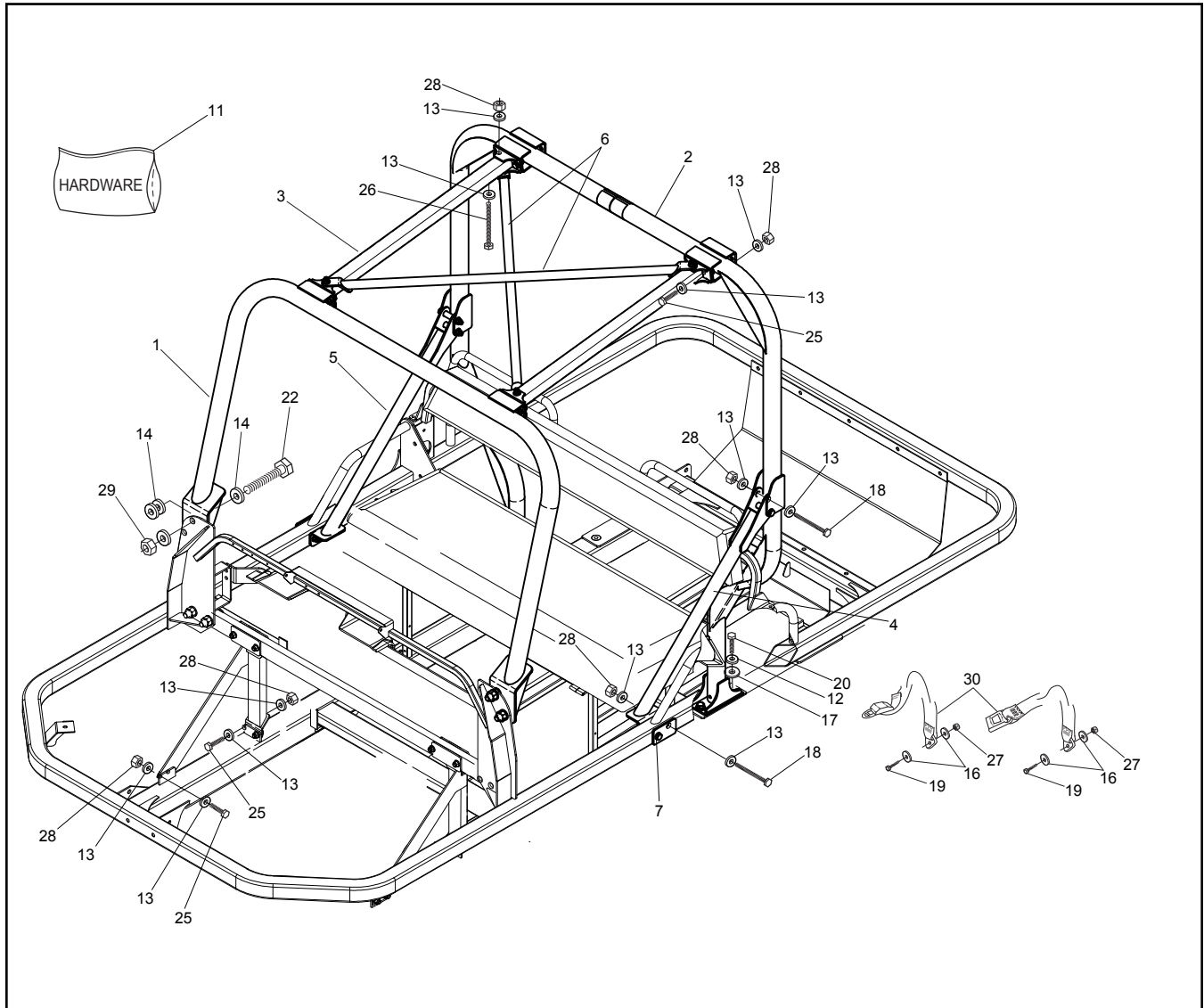
Ref.	Qty.	Part #	Description
1	1	850-214	Kit, Chain Oiler Purch Comp.
2	1	850-201	Pump, Oil System Lincoln 12V
3	1	850-202	Valve, Oil System Diverter
4	2	850-203	Plug, Valve Diverter
5	4	850-204	Adapter, Outlet 1/4" W/CHK
6	1	850-205	Hose, Oil Pump Outlet 12"
7	1	850-210	Cover, Oil Pump Motor
8	1	850-211	Seal, Oil Pump Cap
9	2	100-101	Clamp, Gear 1/2" HF4 or MH-4
10	4	108-03	Lockwasher 1/4 Split Ring Zn
11	4	108-08	Washer .28 x .62 x .07 Zn
12	4	108-100	Lockwasher, #10 Split-Ring Zn
13	2	112-04	HHCS 1/4-20 x 3/4 Gr5 Zn
14	4	112-47	SHCS 1/4-20 x 1.0 Zn
15	4	112-95	HHCS M5 x 0,8 x 10mm Zn
16	2	112-202	HHCS 1/4-20 x 1.75 Gr5 Zn
17	1	113-20	Fitting, 1/8 Npt x 1/4 Barb
18	4	113-21	Fitting, 1/8 x 90 Male Push Conn.
19	4	117-27	Locknut, Nylon 1/4-20 Zn
20	1	118-52	Fuse, 10A 2-Prong (ATC010)
21	1	120-13	Rivet - 3/16 x 3/4 Black

Ref.	Qty.	Part #	Description
22	1	127-160-7	Hose, 1/4 ID x 3/8 OD - 7" Long
23	1	850-197	Bracket, Oil Applicator Front LH XT (not shown)
24	1	850-222	Bracket, Oil Applicator Front RH XT
25	1	850-226	Bracket, Oil System Pump Res. XT
26	4	850-198	Tube, Oiler XT
27	1	850-196	Reservoir 1 Qt.
28	1	850-200	Plug, Oil Pump Threaded
29	2	850-206-5	Tubing, 1/4 OD Oil - 5 ft.
30	2	850-206-9	Tubing, 1/4 OD Oil - 9 ft.
31	1	850-207	Timer, Oil System
32	1	850-220	Harness, Oil System XT
33	1	850-209	Switch, Oil System Momentary
34	1	850-221	Harness, Oil System Pump (not shown)
35	0.875	613-207RM	Loom, Nylon .25 ID
36	1	850-244	Wire Harness, Timer Interrupt
37	2	112-02	SHSS 10-24 x 1/4 Knurl, Bare



# 16.0 Accessories

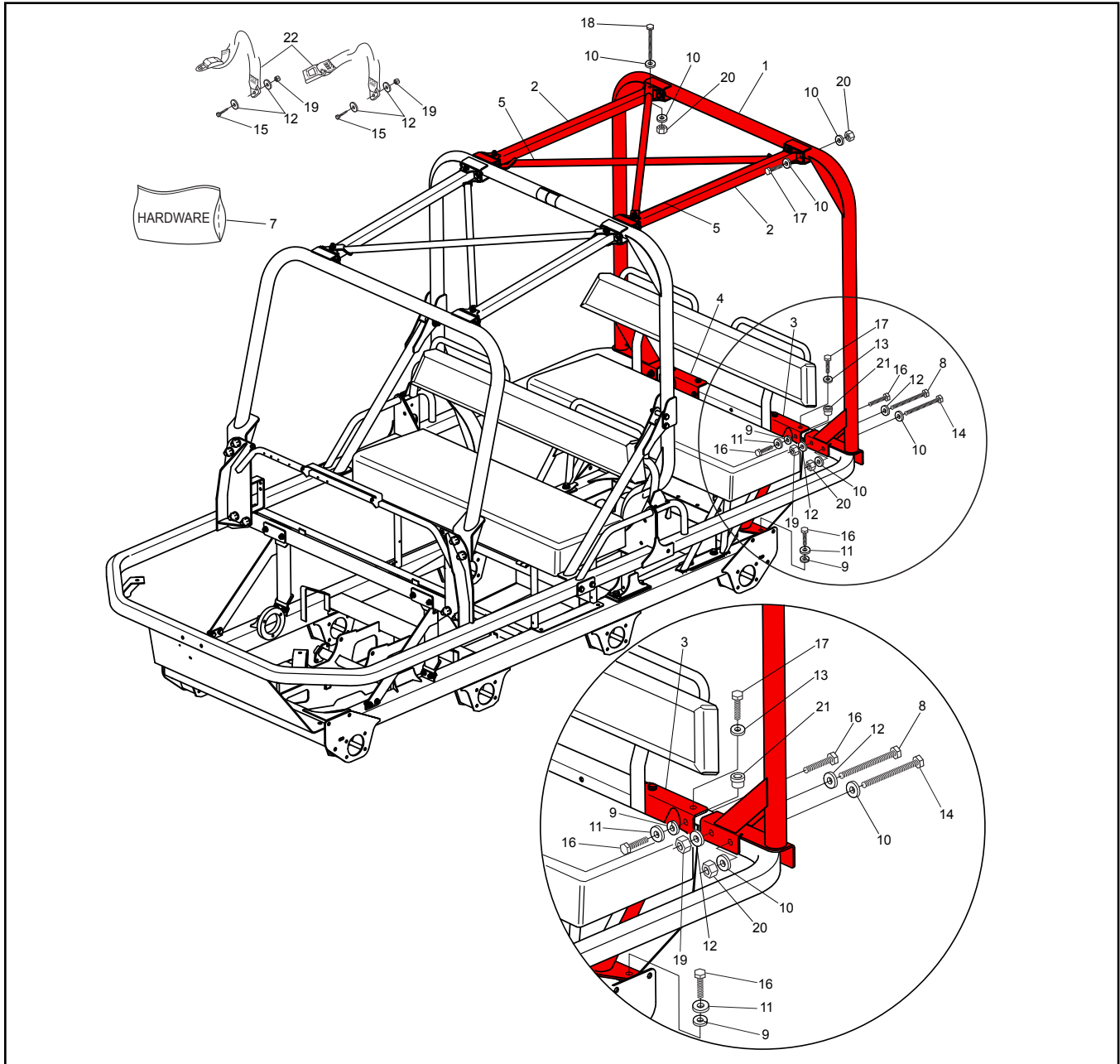
# 956-15 (2) Person ROPS



Ref.	Qty.	Part #	Description	Ref.	Qty.	Part #	Description
1	1	956-01	ROPS Hoop, Fwd, XT	18	8	112-120	HHCS M10x1,5x80mm Zn
2	1	956-02	ROPS Hoop, Mid, XT	19	3	112-229	HHCS 7/16-20x1.25" Lg Gr5
3	2	956-07	Brace, Fwd ROPS	20	4	112-189	HHCS 1/2-13x1.25 Gr5 Zn
4	1	956-09	Strut, ROPS Side, LH	22	4	112-208	HHCS, M16x2x50mm
5	1	956-10	Strut, ROPS Side, RH	23	4	112-210	HHCS, 7/16-20 x 0.75
6	2	956-11	Crossbrace, ROPS, Top	25	8	112-93	HHCS M10x1,5x25mm
7	2	957-41	Plate, ROPS Brace, Mount	26	4	112-94	HHCS, M10 x 1, 5 x 70mm Zn
<b>11</b>	<b>1</b>	<b>956-15HDW</b>	<b>Hardware, 2-Person ROPS, XT</b>	27	3	117-32	Locknut, Nylon 7/16-20 Zn
12	4	108-107	Lockwasher 1/2" High Alloy	28	20	117-60	Locknut, Nyloc M10x1.5mm Zn
13	40	108-101	Washer, 10mm, DIN125A	29	4	117-76	Locknut, Nylon M16x2,0 Zn
14	16	108-102	Washer, 16mm, DIN125A	30	2	848-56	Seat Belt Assembly C/W Label
15	4	108-27	Lockwasher 7/16 Split-Ring Zn				
16	6	108-34	Washer .47x.94x.06 Zn				
17	4	108-35	Washer .53x1.06x.09 Zn				

# 956-16 (4) Person ROPS

# 16.0 Accessories

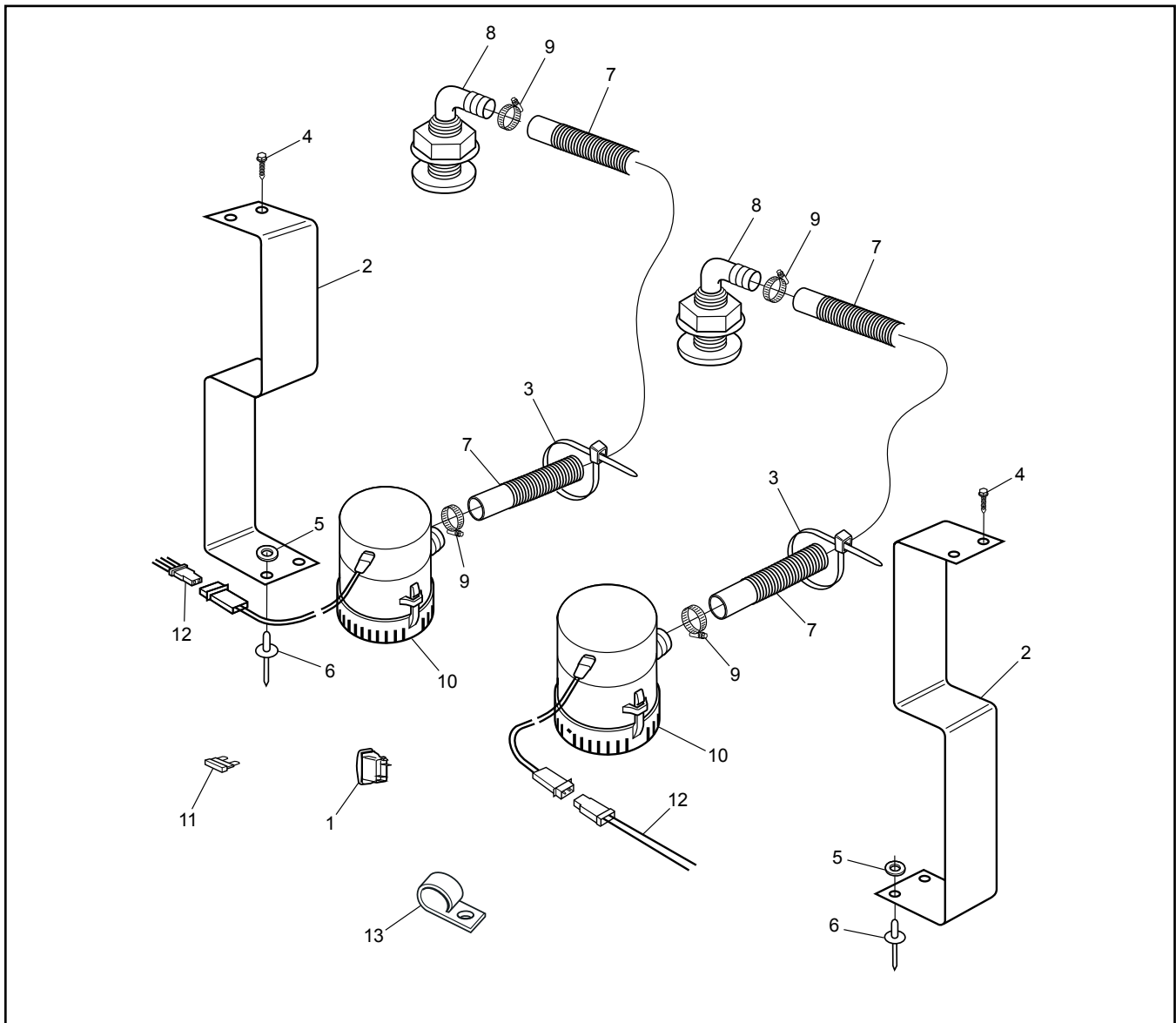


Ref.	Qty.	Part #	Description
1	1	956-03	Rops Hoop, Rear, XTI
2	2	956-08	Brace, Rear Rops
3	1	956-12	Rops Support, Rear, LH
4	1	956-13	Rops Support, Rear, RH
5	2	956-14	Crossbrace, Rops, Rear
7	1	<b>956-16HDW</b>	<b>Hardware, 4-Person ROPS, XTI</b>
8	2	103-74	HHCS 7/16-20x3.25 Gr5 Zn
9	8	108-05	Lockwasher 5/16 Split-Ring Zn
10	28	108-101	Washer, 10mm, Din 125A
11	8	108-24	Washer .34x.70x.06 Zn
12	8	108-34	Washer .47x.94x.06 Zn

Ref.	Qty.	Part #	Description
13	4	108-67	Lockwasher M10 Split-Ring Zn
14	2	112-120	HHCS M10x1,5x80mm Zn
15	2	112-150	HHCS 7/16-20x1.5" Lg Gr5
16	8	112-63	HHCS M8x1,25x35mm Gr5 Zn
17	12	112-93	HHCS M10x1,5x25mm
18	4	112-94	HHCS, M10x1,5x70mm
19	4	117-32	Locknut, Nylon 7/16-20 Zn
20	14	117-60	Locknut, Nyloc M10x1.5mm Zn
21	4	117-70	Insert, M10x1.5-13.5mm OD
22	2	848-56	Seat Belt Assembly C/W Label

# 16.0 Accessories

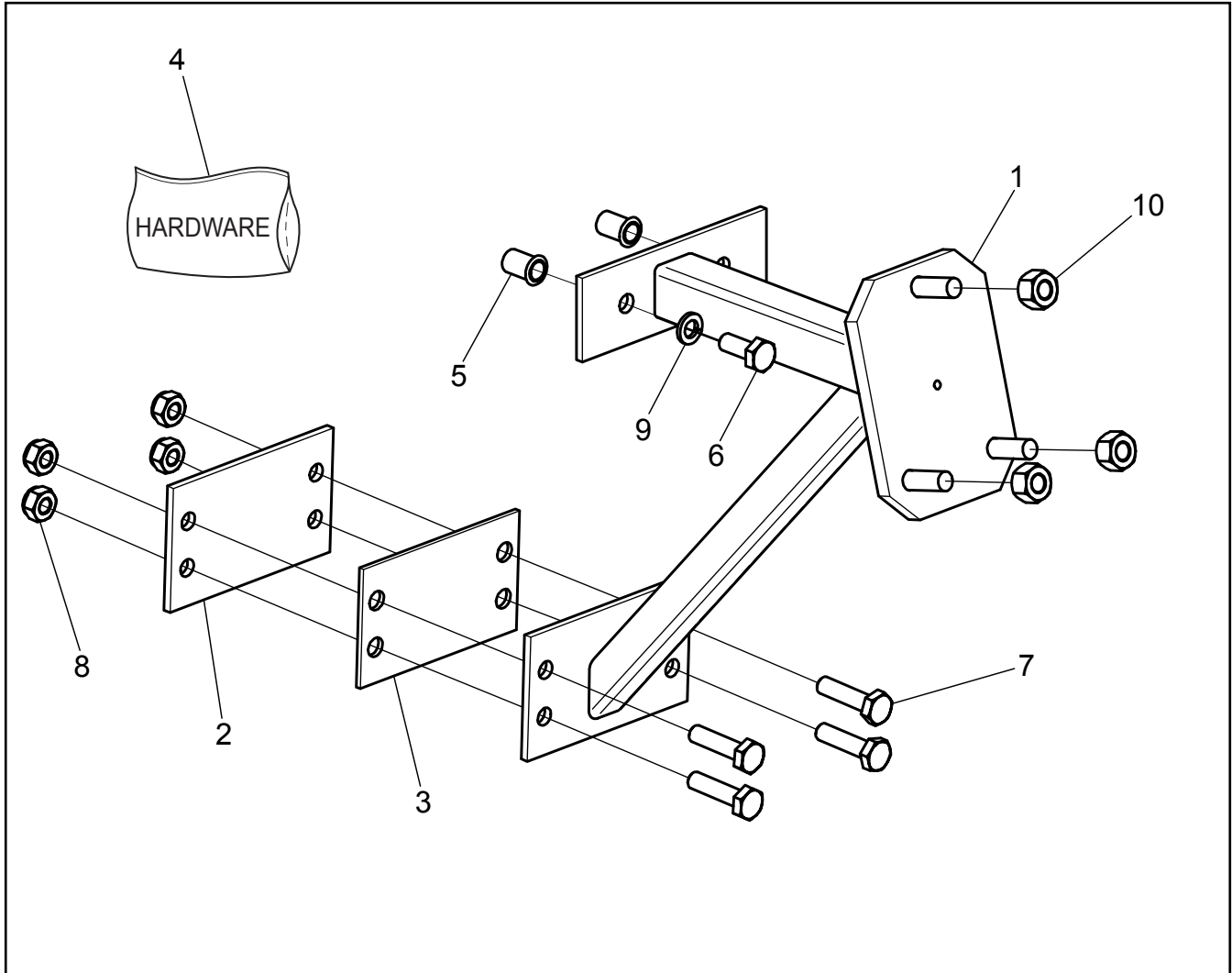
# 958-71 Bilge Pump Assembly



Ref.	Qty.	Part #	Description
1	1	613-154	Switch, Bilge Pump
2	2	849-144	Bracket, Bilge Pump
3	8	100-102	Tie Wrap - 14" - White
4	6	112-102	Screw, Self Drilling - 12-14 x 3/4"
5	4	120-04	Washer, 3/16"
6	4	120-13	Rivet, 3/16" x 3/4"
7	2	638-05	Flex Hose, 3/4" x 3'
8	2	958-153	Hull 3/4"W/ 90 Deg. Fitting
9	4	638-16	Gear Clamp
10	2	638-18	Bilge Pump & Wire Ass'y
11	1	118-52	Fuse, 10A 2-Prong
12	1	613-200	Wire Harness, Bilge Pump XT
13	2	127-24	Clamp, Nylon - 1" ID

# 958-75 Rear Tire Carrier

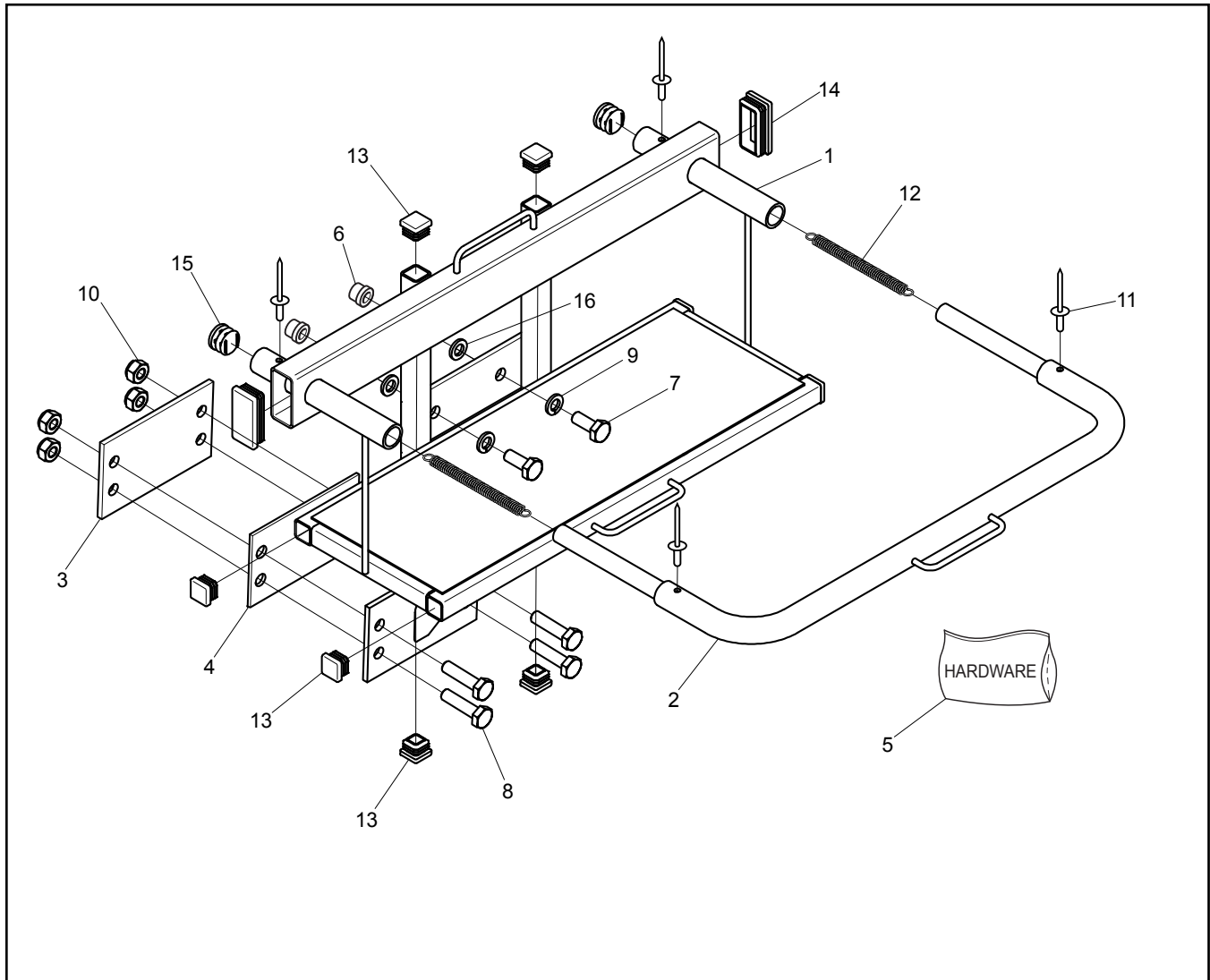
# 16.0 Accessories



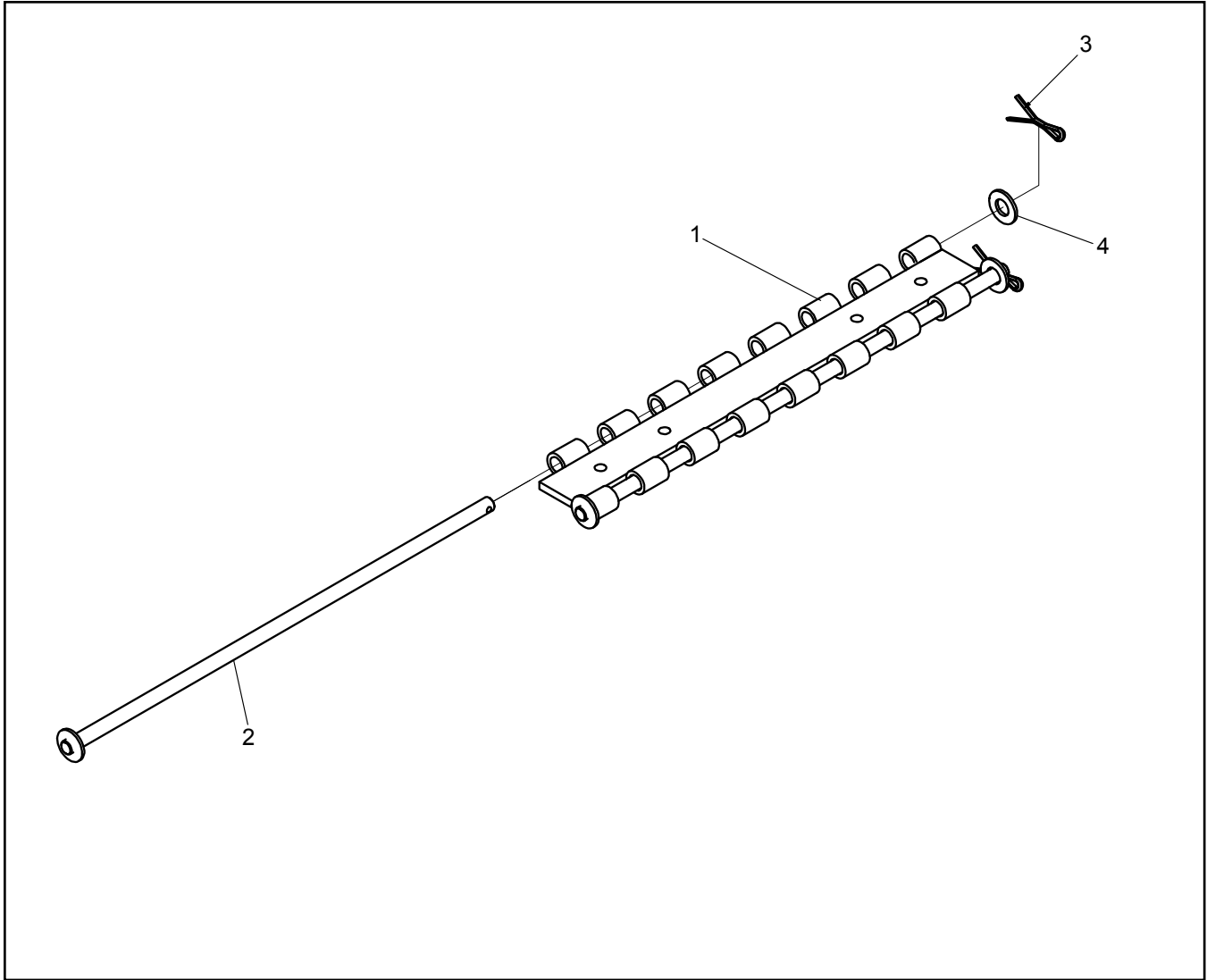
Ref.	Qty.	Part #	Description
1	1	958-76	Asm, Tire Carrier-XT
2	1	616-18	Plate, Hitch
3	1	616-20	Gasket, Rear Hitch
4	1	<b>958-75HDW</b>	<b>Hardware, Tire Carrier-XT</b>
5	2	117-70	Insert, M10x1.5-13.5mm OD
6	2	112-93	HHCS M10x1,5x25mm
7	4	112-92	HHCS M10x1,5x40mm Zn
8	4	117-60	Locknut, Nyloc M10x1.5mm Zn
9	2	108-67	Lockwasher M10 Split-Ring Zn
10	3	117-35	Nut, Wheel 7/16-20 Zn

# 16.0 Accessories

# 958-80 Fuel Carrier



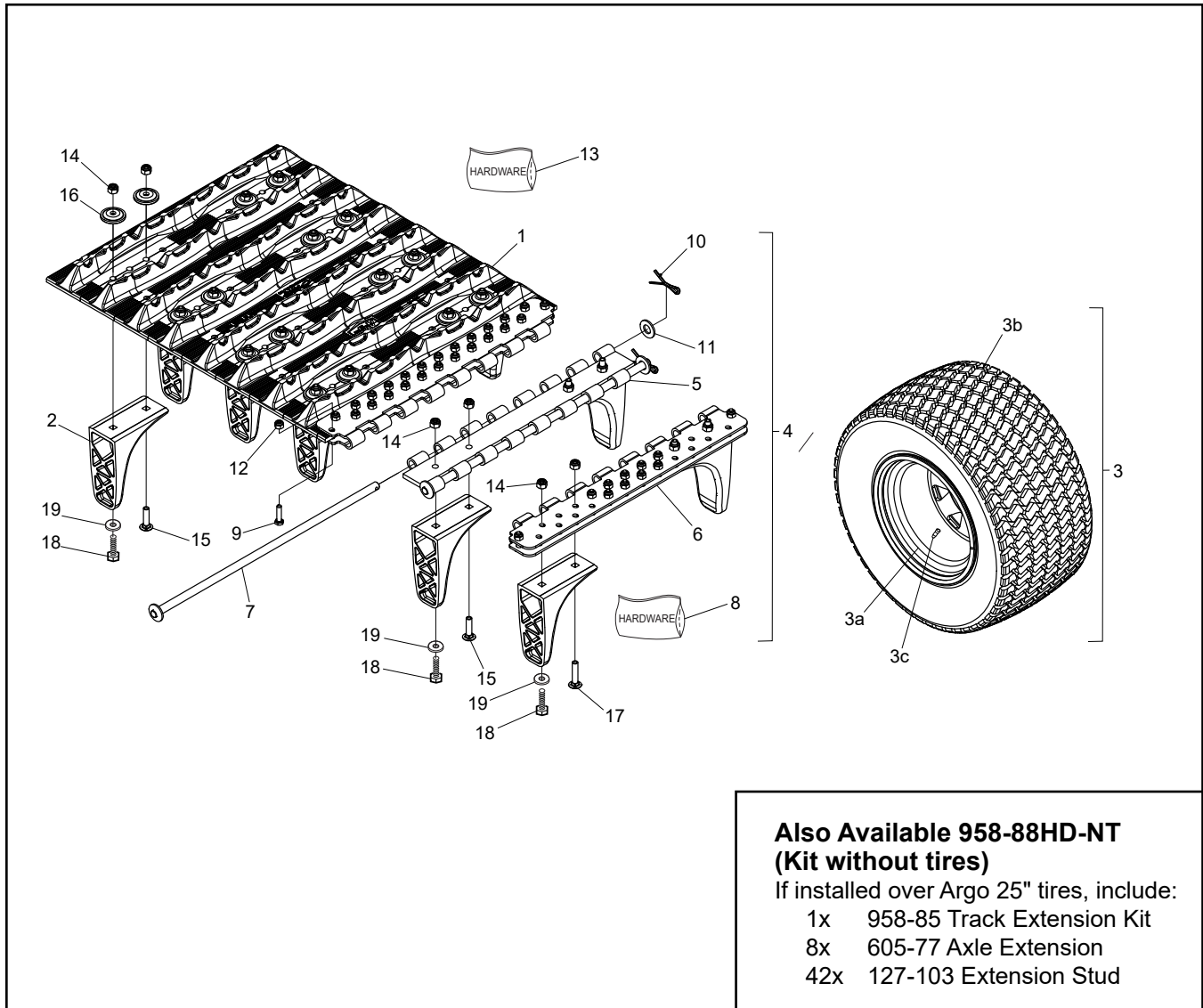
Ref.	Qty.	Part #	Description
1	1	958-81	Asm, Can Carrier
2	1	867-04	Asm, Can Carrier - Restraint
3	1	616-18	Plate, Hitch
4	1	616-20	Gasket, Rear Hitch
<b>5</b>	<b>1</b>	<b>958-80HDW</b>	<b>HDW, Gas Can Carrier-XT</b>
6	2	117-70	Insert, M10x1.5-13.5mm OD
7	2	112-93	HHCS M10x1,5x25mm
8	4	112-92	HHCS M10x1,5x40mm Zn
9	2	108-67	Lockwasher M10 Split-Ring Zn
10	4	117-60	Locknut, Nyloc M10x1.5mm Zn8
11	4	120-32	Rivet, 3/16 x 1.075 Black
12	2	127-224	Spring, Ext. 3/8 x 4.5"
13	8	867-18	Plug, End 3/4" Tube-Black
14	2	867-19	Plug, End 1.0 x 2.0 Tube-Black
15	2	867-17	Plug, OD 7/8" ID 0.685"-Black
16	2	108-47	Washer .39x.94x13 Zn Di-Chro



Ref.	Qty.	Part #	Description
1	4	849-241	Spacer, Track 16.5"
2	4	849-247	Rod, Hinge Asm
3	4	104-71	Pin, Cotter 3/16x1.25 Zn
4	4	108-35	Washer .53x1.06x.09 Zn

# 16.0 Accessories

# 958-88HD Track Assembly



**Also Available 958-88HD-NT  
(Kit without tires)**

If installed over Argo 25" tires, include:  
 1x 958-85 Track Extension Kit  
 8x 605-77 Axle Extension  
 42x 127-103 Extension Stud

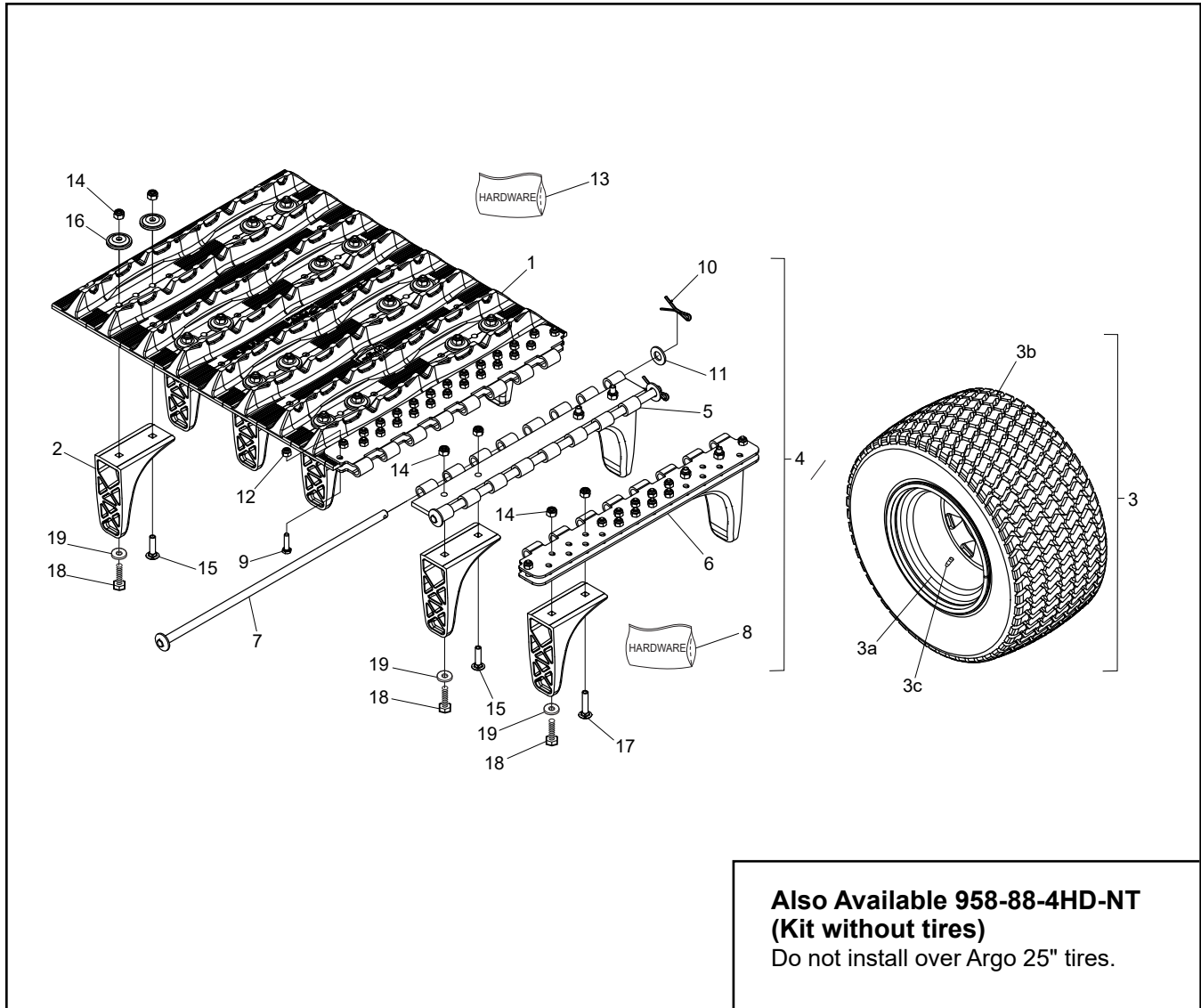
Ref.	Qty.	Part #	Description
1	2	825-51-1	Track, Rubber - Argo
2	180	825-71	Guide, HD Track -UHMW-PE
3	8	127-215	Tire + Rim Ass'y - Multitrac XT HD (incl. Ref. 3a & 3b)
3a		127-281	Rim -12x9.5x2.25 Offset-Rein
3b		127-114	Tire, Multi-Trac XT 24x12-12
4	1	958-91	<b>Hinge Set &amp; Extensions - HD, XT includes the following:</b>
5	2	849-241	Spacer, Track Lacing
6	4	849-302	Hinge, Track, HD
7	4	849-247	Rod, Hinge Ass'y
8	1	958-91HDW	<b>Hardware Kit, Hinge Set, Tracks HD, XT includes the following:</b>
9	100	103-08	HHCS 1/4-20 x 1.0 Zn

Ref.	Qty.	Part #	Description
10	4	104-71	Pin, Cotter 3/16 x 1.25 Zn
11	4	108-35	Washer .53 x 1.06 x .09 Zn
12	100	117-27	Locknut, Nylon 1/4-20 Zn
13	1	958-88HD-HDW	<b>Hardware Kit - Rubber Tracks - HD, XT includes the following:</b>
14	360	117-21	Locknut, Nylon 5/16-18"
15	180	112-155	Bolt, Carriage
16	360	108-110	Washer, Concave 5/16 IDx1-3/8"
17	8	112-11	C/Bolt 5/16-18 x 1.5 Gr5 Zn
18	180	103-38	HHCS 5/16-18x1.25 Gr5 Zn
19	180	108-113	Washer .33x.88x.08 L9 Eco



# 958-88-4HD Track Assembly

# 16.0 Accessories



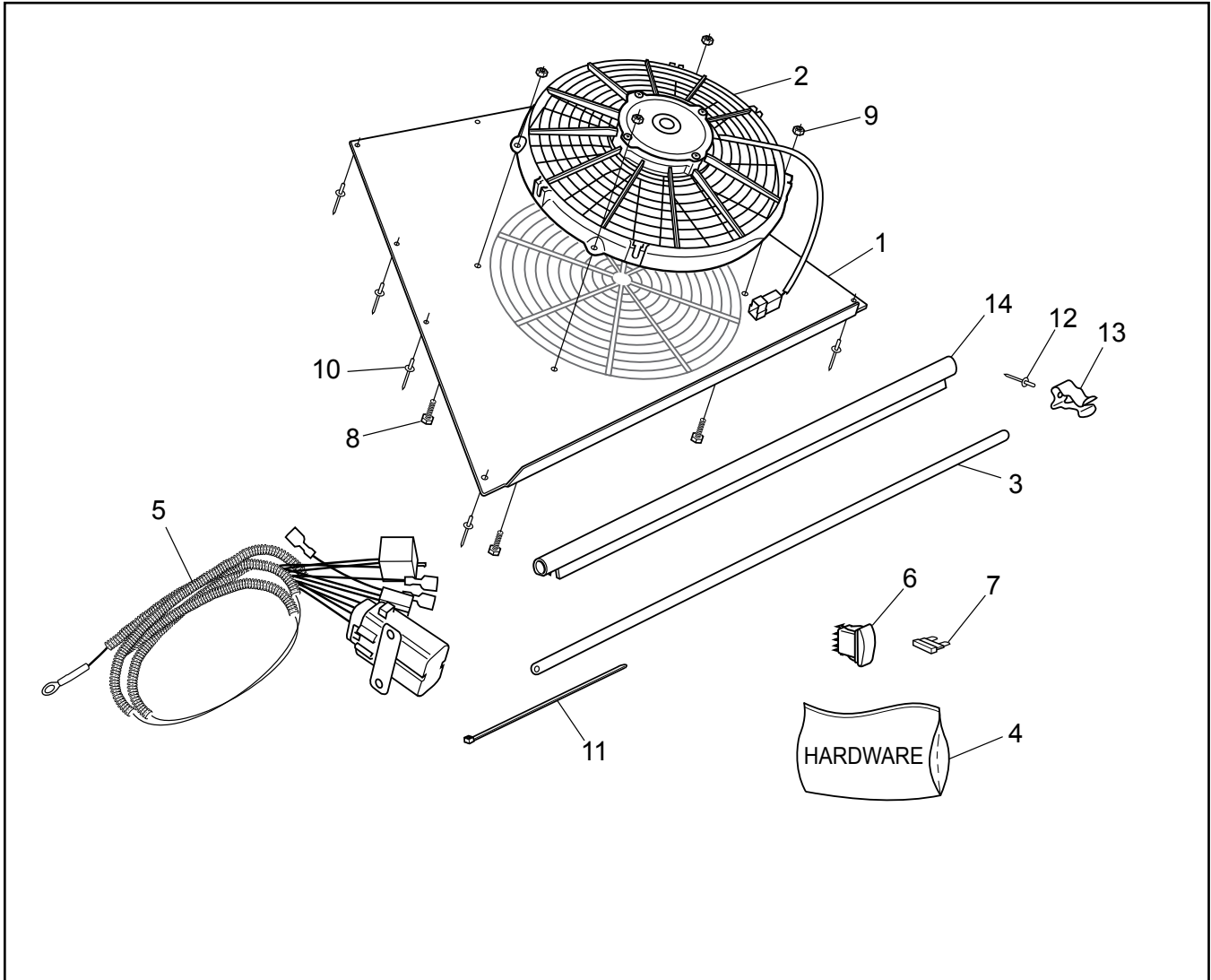
Ref.	Qty.	Part #	Description
1	4	825-51-1	Track, Rubber - Argo
2	192	825-71	Guide, HD Track -UHMW-PE
3	8	127-215	Tire + Rim Ass'y - Multitrac XT HD (incl. Ref. 3a & 3b)
3a		127-281	Rim -12x9.5x2.25 Offset-Rein
3b		127-114	Tire, Multi-Trac XT 24x12-12
4	1	958-92	<b>Hinge Set &amp; Extensions - HD, XT includes the following:</b>
5	4	849-241	Spacer, Track Lacing
6	4	849-302	Hinge, Track, HD
7	4	849-247	Rod, Hinge Ass'y
8	1	958-91HDW	<b>Hardware Kit, Hinge Set, Tracks HD, XT includes the following:</b>
9	100	103-08	HHCS 1/4-20 x 1.0 Zn

Ref.	Qty.	Part #	Description
10	4	104-71	Pin, Cotter 3/16 x 1.25 Zn
11	4	108-35	Washer .53 x 1.06 x .09 Zn
12	100	117-27	Locknut, Nylon 1/4-20 Zn
13	1	958-88-4HD-HDW	<b>Hardware Kit - Rubber Tracks - HD, XT includes the following:</b>
14	384	117-21	Locknut, Nylon 5/16-18"
15	192	112-155	Bolt, Carriage
16	384	108-110	Washer, Concave 5/16 ID x 1-3/8"
17	16	112-11	C/Bolt 5/16-18 x 1.5 Gr5 Zn
18	192	103-38	HHCS 5/16-18x1.25 Gr5 Zn
19	192	108-113	Washer .33x.88x.08 L9 Eco



# 16.0 Accessories

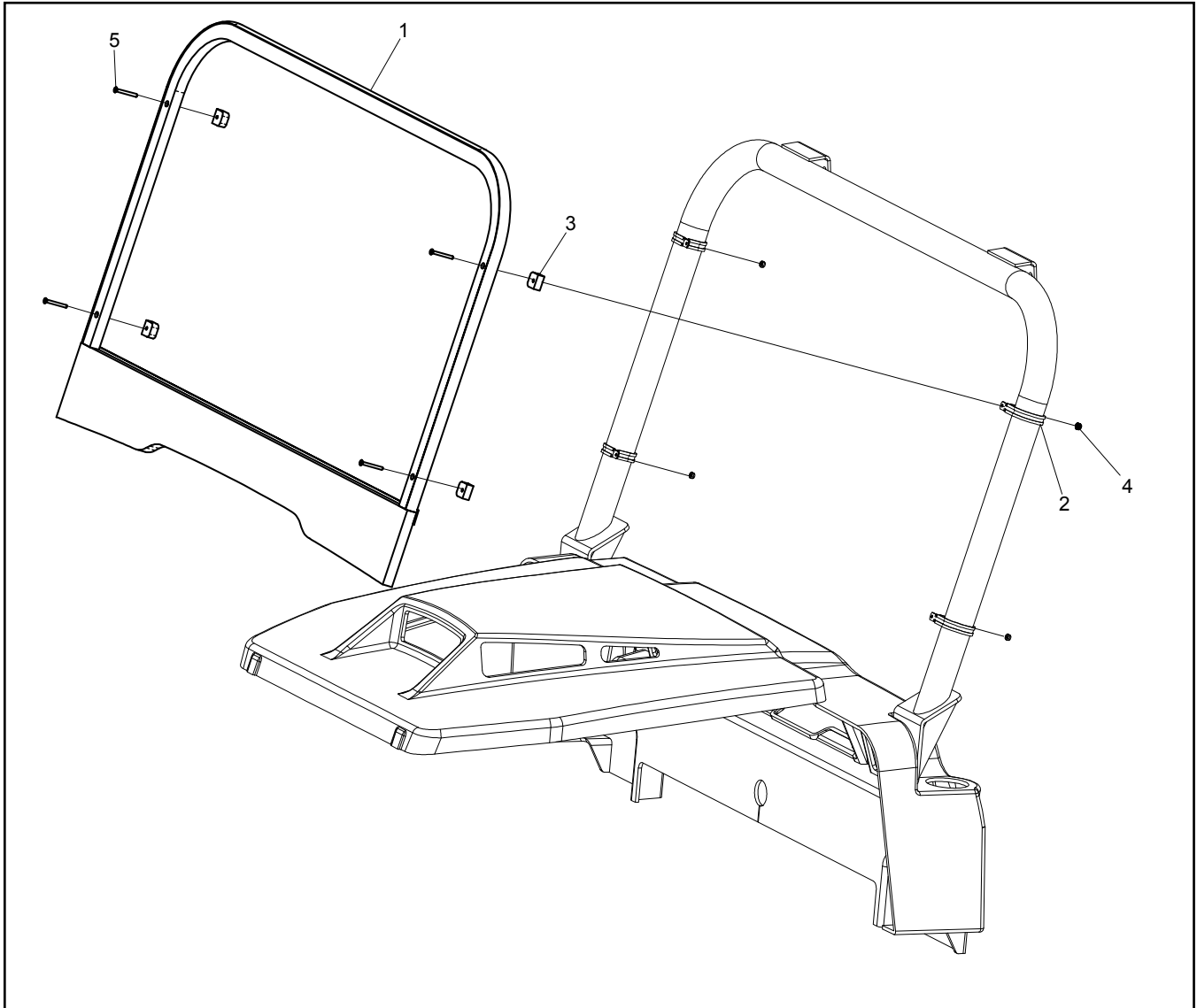
# 958-89 Hood Fan



Ref.	Qty.	Part #	Description
1	1	952-261	Mount, Hood Fan II - XT
2	1	953-50	Fan, Hood - XT
3	1	955-103	Prop Rod, Hood
4	1	<b>958-89HDW</b>	<b>Hardware, Acc, Hood Fan - XT</b>
5	1	613-229	Wire Harness, Relay, Hood Fan
6	1	613-202	Switch, Hood Fan
7	1	118-77	Fuse, 20A Mini
8	4	112-04	HHCS 1/4-20 x 3/4 Gr5 Zn
9	4	117-82	Locknut, Flange 1/4-20 Zn
10	25	120-13	Rivet - 3/16 x 3/4 Black
11	2	100-64	Tie Wrap - 5.5" - Black
12	1	120-15	Rivet - 1/8 x 7/16
13	1	127-285	Retainer, Hood Prop
14	1	952-165	Seal, Hood Fan - XT
15	2	120-11	Rivet, 5/32 x .157-.472

# 958-90 Windshield

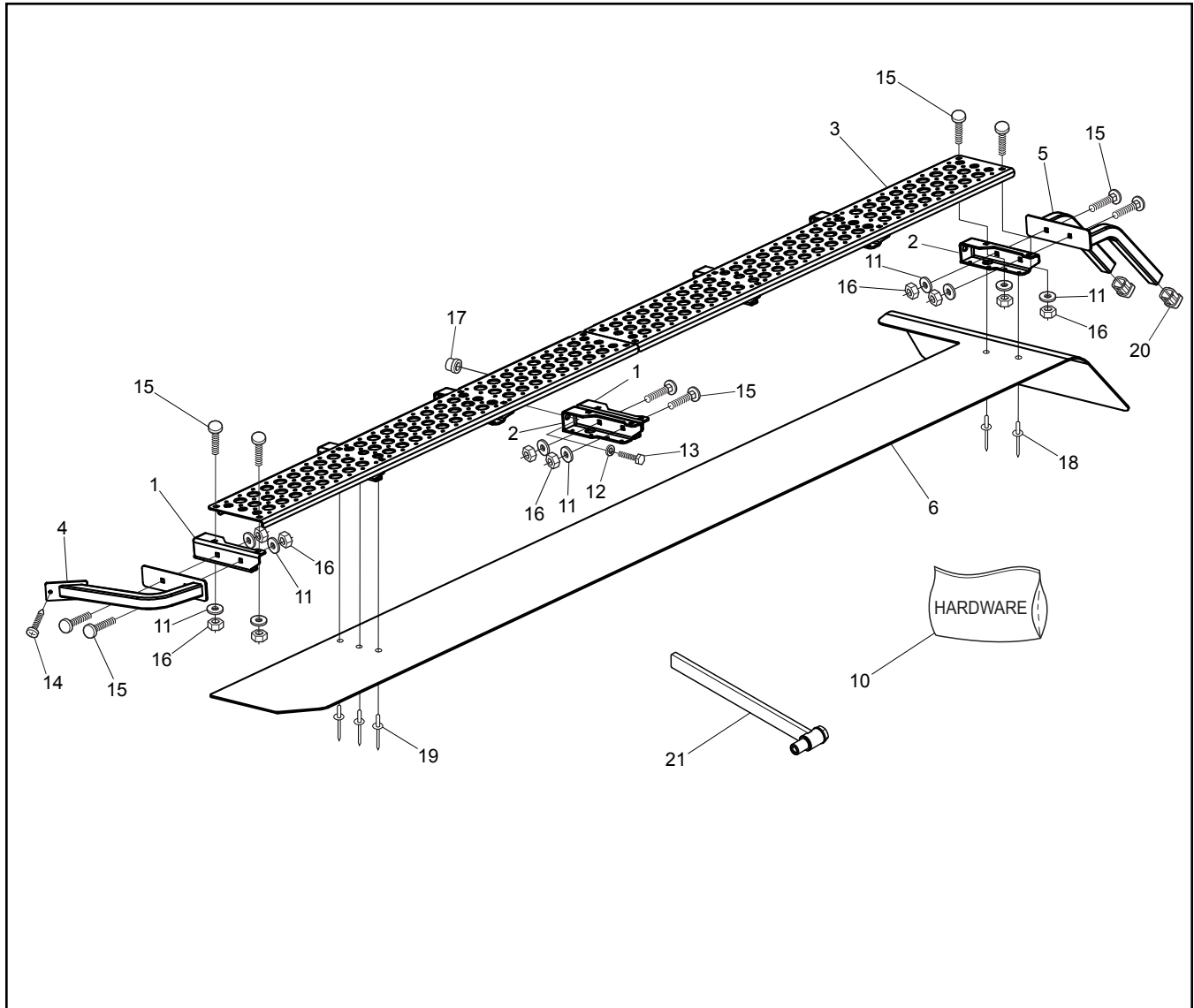
# 16.0 Accessories



Ref.	Qty.	Part #	Description
1	1	958-90	Windshield Asm, XTI
2	4	127-240	Clamp, 2.0" Loop - Rubber Cush
3	4	958-94	Spacer, Windshield - XTI
4	4	117-10	Locknut, 10-24 N/I Zn
5	4	112-222	FHCS 10-24 x 1.75, Black

# 16.0 Accessories

# 958-93 Cat Walk Mudflap

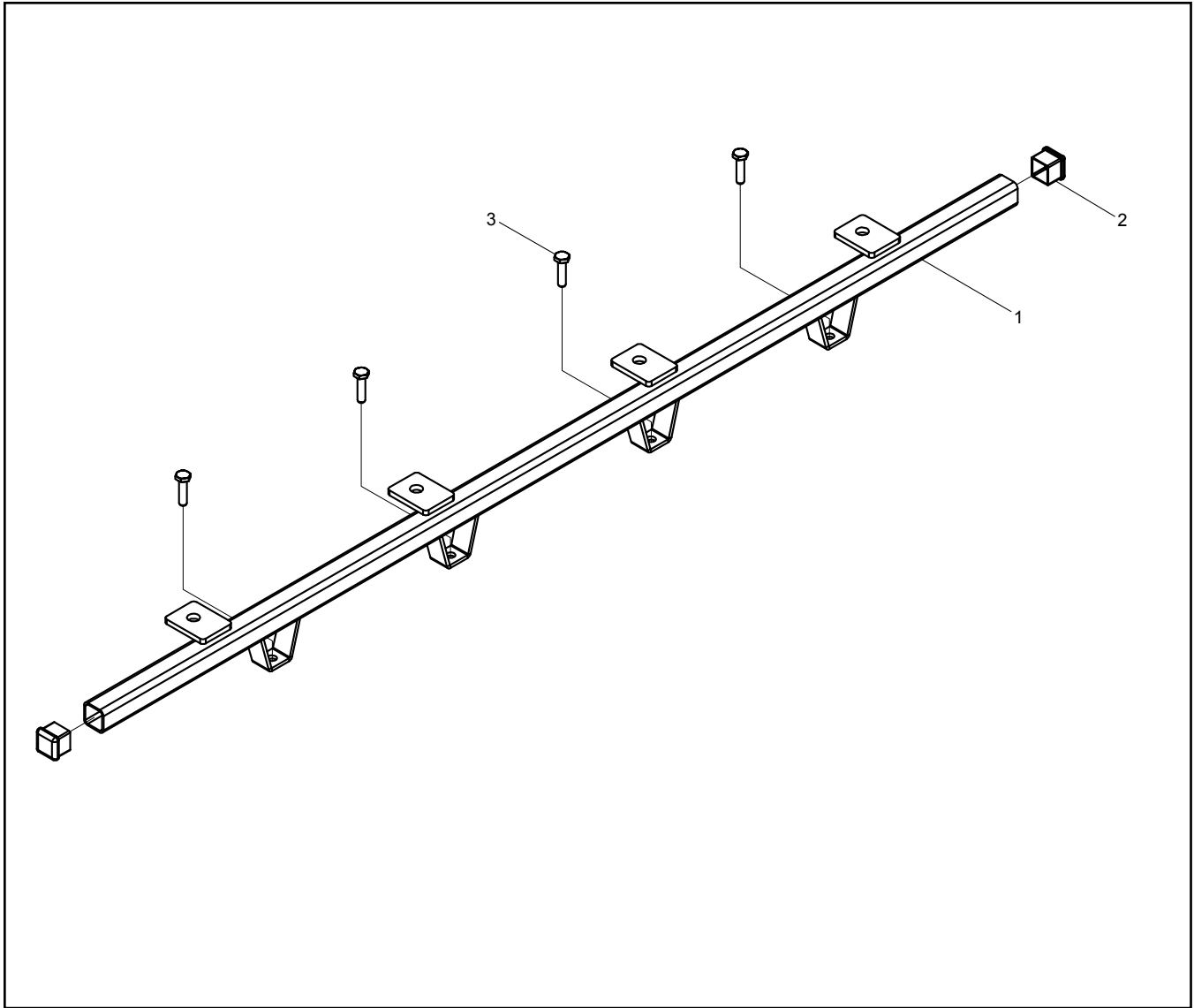


Ref.	Qty.	Part #	Description
1	8	952-205	Bracket, Supt Step LH
2	8	952-206	Bracket, Supt Step RH
3	4	952-207	Step, Platform
4	2	950-34	Tube Asm, Front Step
5	2	950-35	Tube Asm, Rear Step
6	1	951-19	Mudflap, Catwalk LH
7	1	951-20	Mudflap, Catwalk RH (not shown)
8	1	658-73	Tool, Expand M10 Rivet Nut
<b>10</b>	<b>1</b>	<b>958-93HDW</b>	<b>Hardware, Cat Walk Mudflap XT</b>
11	44	108-24	Washer .34x.70x.06 Zn
12	16	108-67	Lockwasher M10 Split-Ring Zn
13	16	112-93	HHCS M10x1,5x25mm
14	2	112-102	Screw, Self Drill 12-14 x 3/4"

Ref.	Qty.	Part #	Description
15	44	112-227	C/Bolt, 5/16-18x3/4 Gr5 Zn
16	44	117-21	Locknut, Nylon 5/16-18 Zn
17	16	117-70	Insert, M10x1.5-13.5mm OD
18	4	120-09	Rivet - 3/16 x 1.0 Black
19	76	120-31	Rivet, 3/16" x 1/4", Open End
20	4	127-282	Plug, 1" Sq. Tube
21	1	658-82	Tool Ass'y, Insert Installation (Opt.)

# 958-95 XT Light Bar

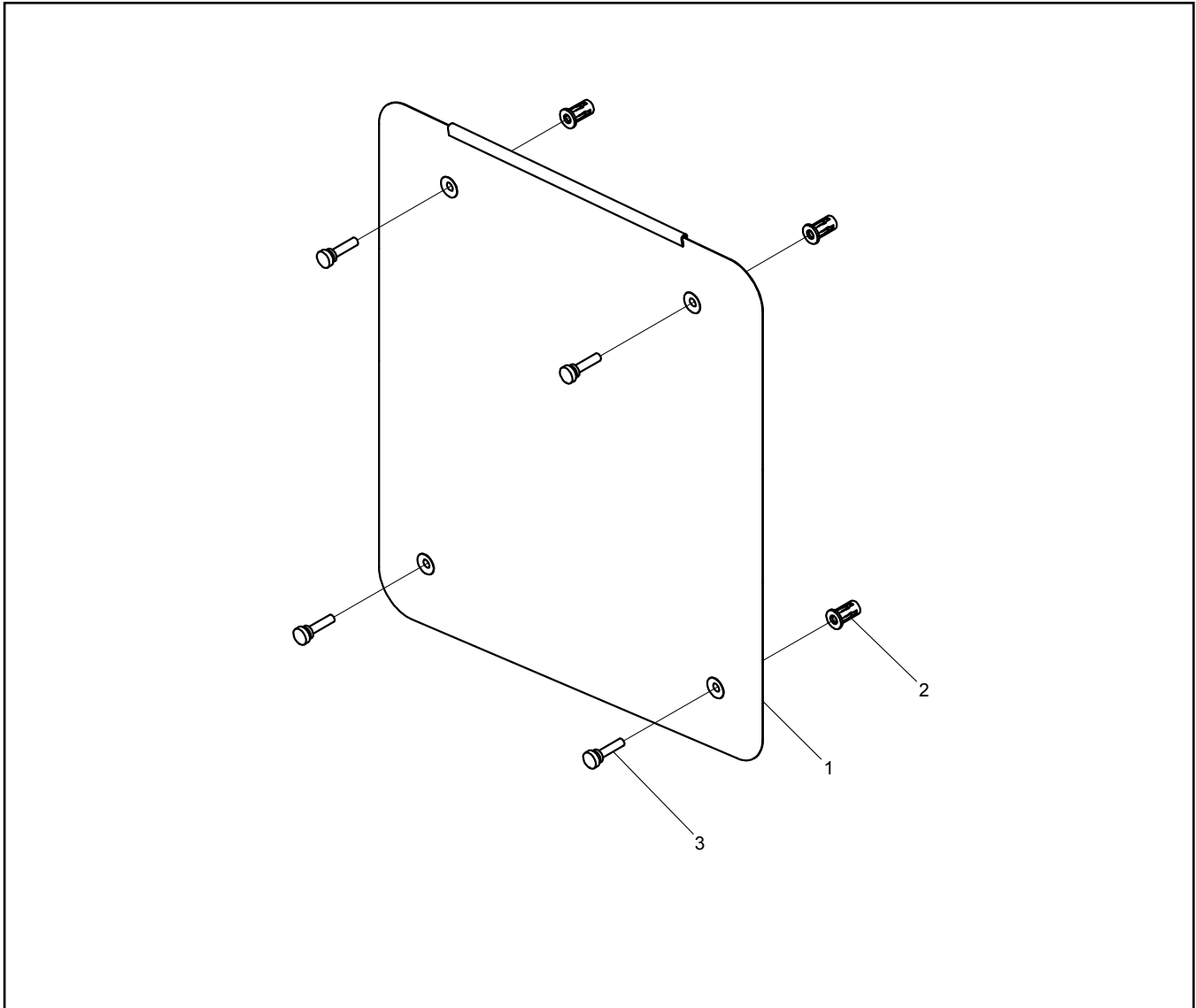
# 16.0 Accessories



Ref.	Qty.	Part #	Description
1	1	958-96	Bar, Light
2	2	849-88	Plug, 7/8" Sq Tube
3	4	103-08	HHCS 1/4-20x1.0 Zn

## 16.0 Accessories

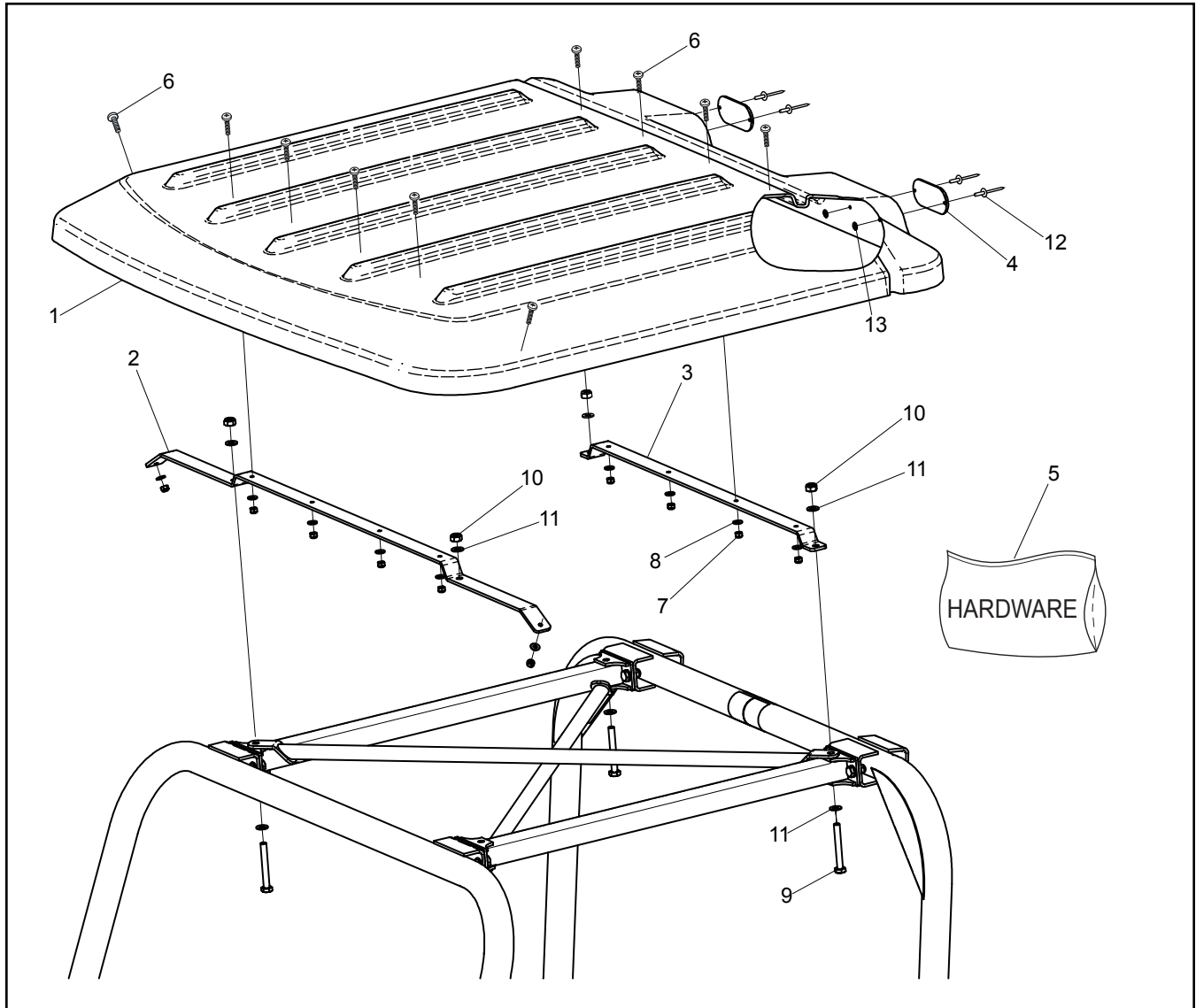
## 958-99 Intake Debris Screen



Ref.	Qty.	Part #	Description
1	1	707-53	Screen, Intake Debris, XT
2	4	117-53	Nut, Jack 1/4-20 8L-JNS Zn
3	4	117-89	Thumbscrew, 1/4-20X1, Nylon

# 958-102 Front Hard Roof

# 16.0 Accessories

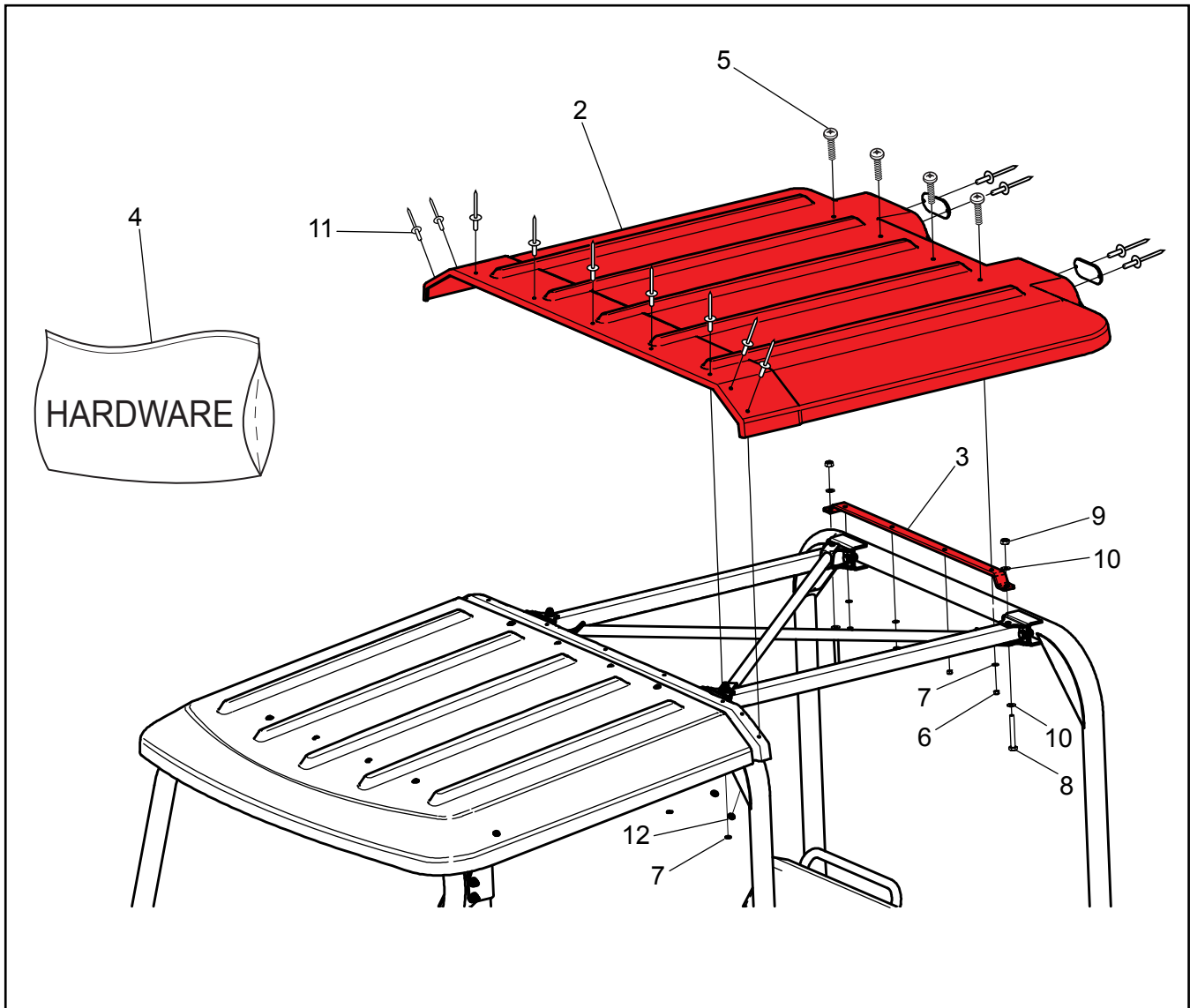


Ref.	Qty.	Part #	Description
1	1	958-103	Hard Top, Front - XT
2	1	958-106	Bracket, Front Mount - XT
3	1	958-107	Bracket Rear Mount - XT
4	2	127-01	Reflector, Red
5	1	958-102HDW	Hardware, 2 Person Hard Top - XT
6	10	103-73	THMS, Phil 1/4-20x.75 Zn
7	10	117-27	Locknut, Nylon 1/4-20 Zn
8	10	108-08	Washer .28x.62x.07 Zn
9	4	112-120	HHCS M10x1,5x80mm Zn
10	4	117-60	Locknut, Nyloc M10x1.5mm Zn 8
11	8	108-101	Washer, 0.41X0.79x0.08, Zn

Ref.	Qty.	Part #	Description
12	4	120-13	Rivet - 3/16 x 3/4 Black
13	4	120-05	Washer .19x.50x.04 Zn

# 16.0 Accessories

# 958-104 Rear Hard Roof

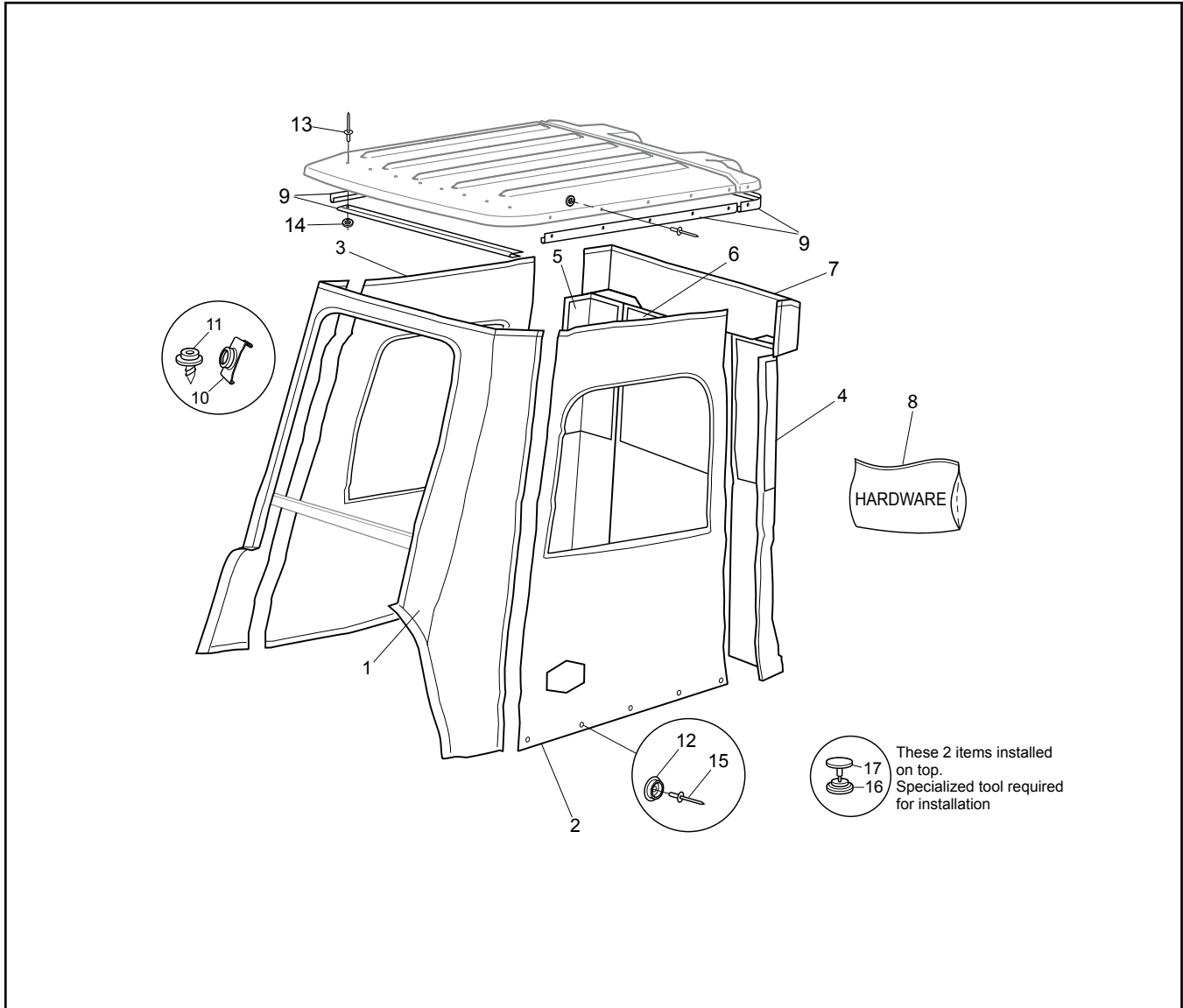


Ref.	Qty.	Part #	Description
1	1	958-102	Hard Top, 2 Person Acc - XT
2	1	958-105	Hard Top, Rear - XT
3	1	958-107	Brkt, Rr Mnt - XT Hard Top
4	1	<b>958-104HDW</b>	<b>Hardware, 4 Person Hard Top - XT includes:</b>
5	4	103-73	THMS, Phil 1/4-20x.75 Zn
6	4	117-27	Locknut, Nylon 1/4-20 Zn
7	4	108-08	Washer .28x.62x.07 Zn
8	2	112-120	HHCS M10x1,5x80mm Zn
9	2	117-60	Locknut, Nyloc M10x1.5mm Zn 8
10	4	108-101	Washer, 0.41x0.79x0.08, Zn

Ref.	Qty.	Part #	Description
11	10	120-13	Rivet - 3/16 x 3/4 Black
12	10	120-05	Washer .19x.50x.04 Zn

# 958-110 Two Person Canvas Enclosure

# 16.0 Accessories



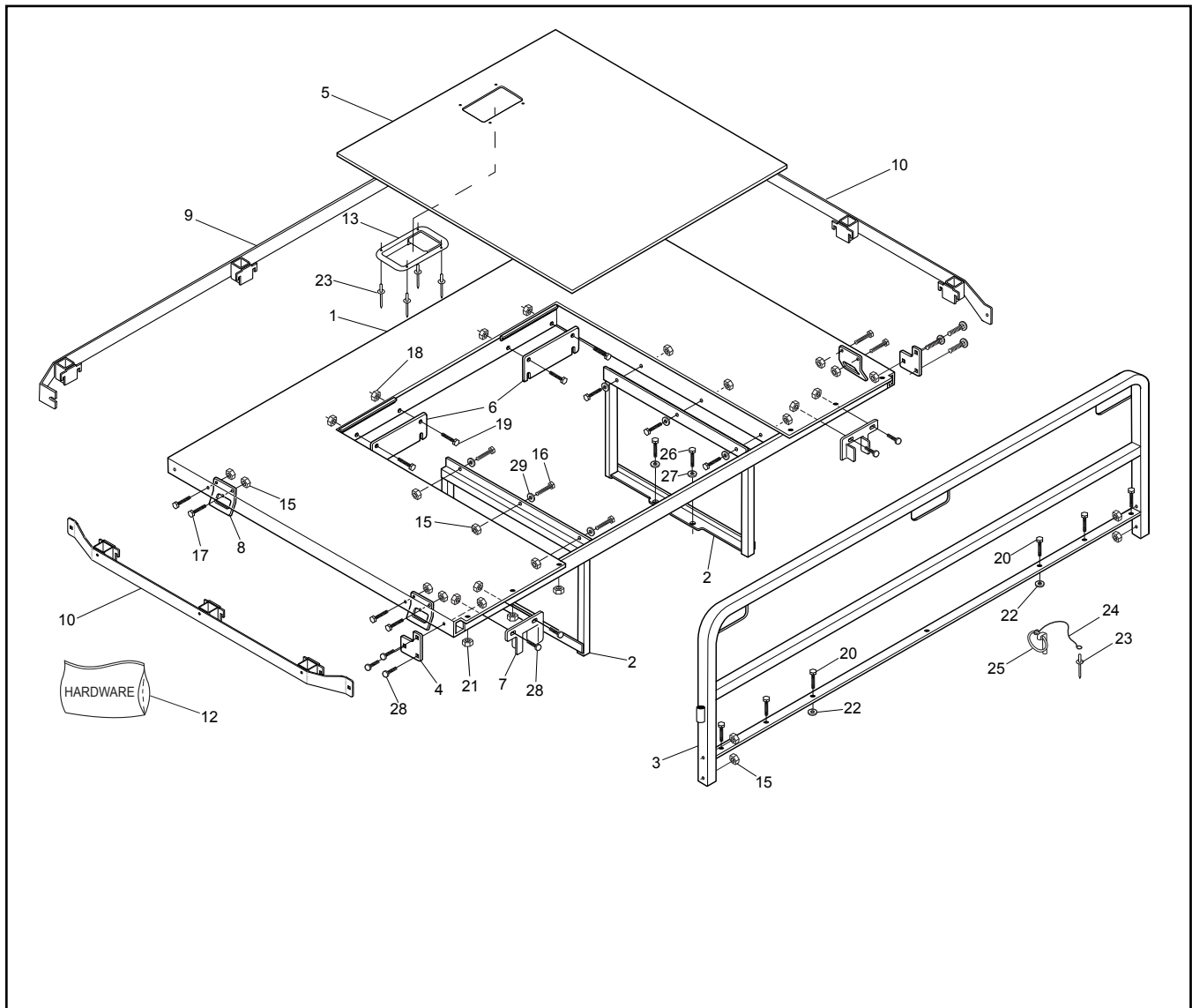
Ref.	Qty.	Part #	Description
1	1	958-132	Panel, Canvas - Windshield
2	1	958-133	Panel, Canvas - FR L Door
3	1	958-134	Panel, Canvas - FR R Door
4	1	958-135	Panel, Canvas - FR Quarter Panel L
5	1	958-136	Panel, Canvas - FR Quarter Panel R
6	1	958-137	Panel, Canvas - FR Tailgate
7	1	958-138	Panel, Canvas - FR Tailgate HDR
<b>8</b>	<b>1</b>	<b>958-110HDW</b>	<b>Hardware, 2 Person Canvas Enclosure - XT includes:</b>
9	3	958-145	Track, J Clip - 60"
10	11	627-02	Dome Snaps-Clip,Windshield

Ref.	Qty.	Part #	Description
11	16	627-10	Dome Stud #8 x 3/8" #688
12	12	958-144	Dome, Blank
13	30	120-11	Rivet, 5/32 x .157-.472
14	30	120-04	Washer .19x.50x.08 Zn
15	12	120-20	Rivet - 1/8 x 1/4
16	17	4003E	Socket Nickle Plated Brass
17	17	4002E	Finish Cap Black Finish Brass



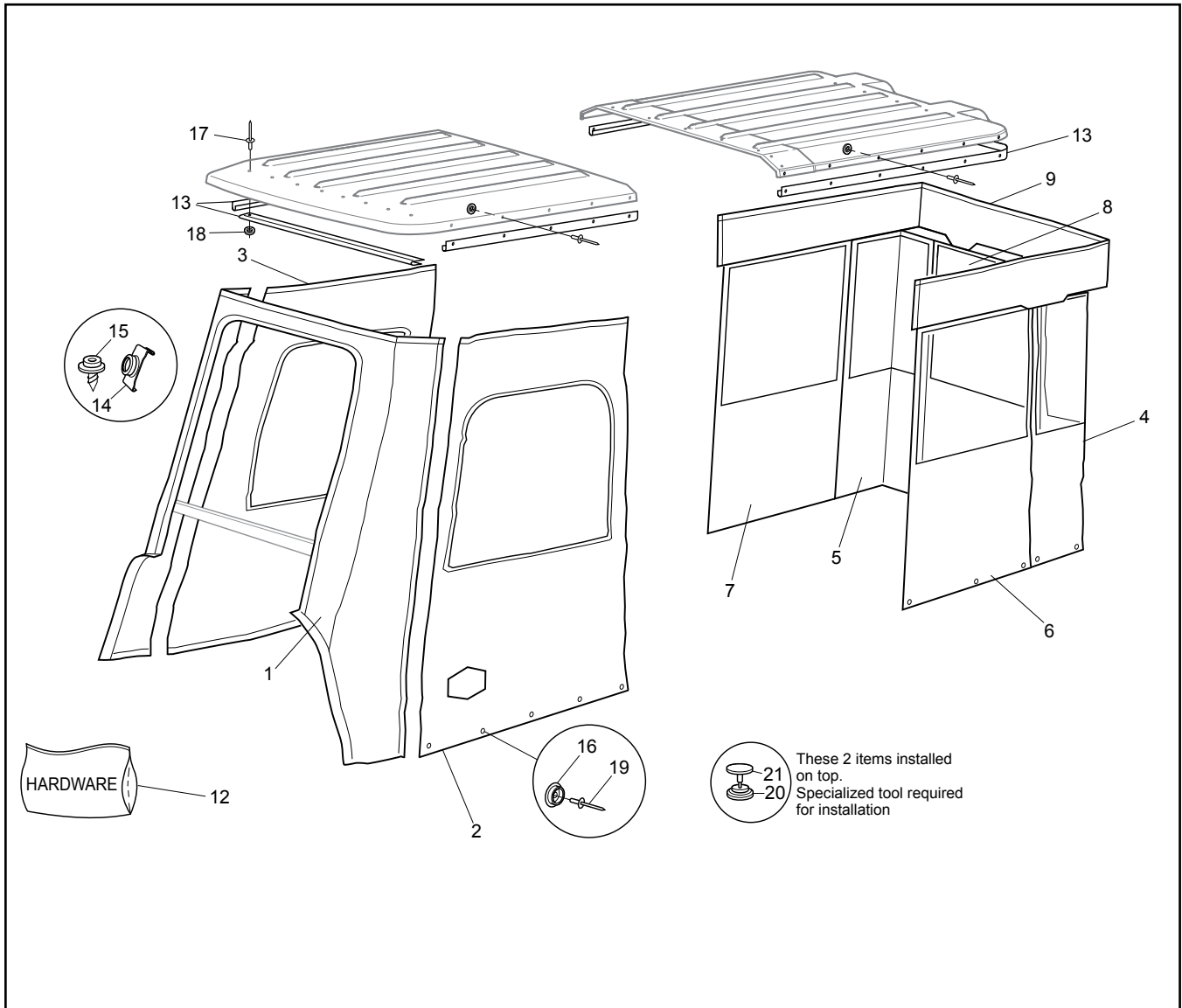
# 16.0 Accessories

# 958-112 XT Flat Bed



Ref.	Qty.	Part #	Description	Ref.	Qty.	Part #	Description
1	1	950-26	Frame, Flat Bed	17	6	112-27	HHCS 5/16-18x1.75 Gr5 Zn
2	2	958-119	Support Leg Flat Bed	18	4	117-29	Locknut, Nylon 3/8-16 Zn
3	1	950-28	Headboard	19	4	103-76	HHCS 3/8-16x1.75 Gr5 Zn
4	2	958-122	Bracket, Headboard	20	6	112-04	HHCS 1/4-20x3/4 Gr5 Zn
5	1	950-27	Hatch, Assembly	21	6	117-27	Locknut, Nylon 1/4-20 Zn
6	2	958-109	Bracket, Rear Mount	22	2	108-08	Washer .28x.62x.07 Zn
7	2	958-111	Bracket, Hoop Clamp	23	4	120-14	Rivet - 3/16 x 5/8 Black
8	4	958-113	Loop, Tie Down	24	1	622-125	Lanyard, Front Hitch EU
9	1	958-114	Stake Pocket, Rear	25	1	104-38	Pin, Hitch - 5/16 x 1.2"
10	2	958-121	Stake Pocket, Side	26	4		Supplied with vehicle
12	1	<b>958-112HDW</b>	<b>Hardware, Flat Bed Basic</b>	27	4		Supplied with vehicle
13	1	953-78	Latch, Paddle Slam, Flush Mount	28	22	103-112	C/Bolt 5/16-18x2.0 Gr5 Zn
14	2	112-11	C/Bolt 5/16-18 x 1.5 Gr5 Zn	29	6	108-76	Washer .33 x .59 x .06 Zn
15	12	117-21	Locknut, Nylon 5/16-18 Zn				
16	6	103-57	HHCS 5/16-18x1.5 Gr5 Zn				

# 958-115 Four Person Canvas Enclosure 16.0 Accessories

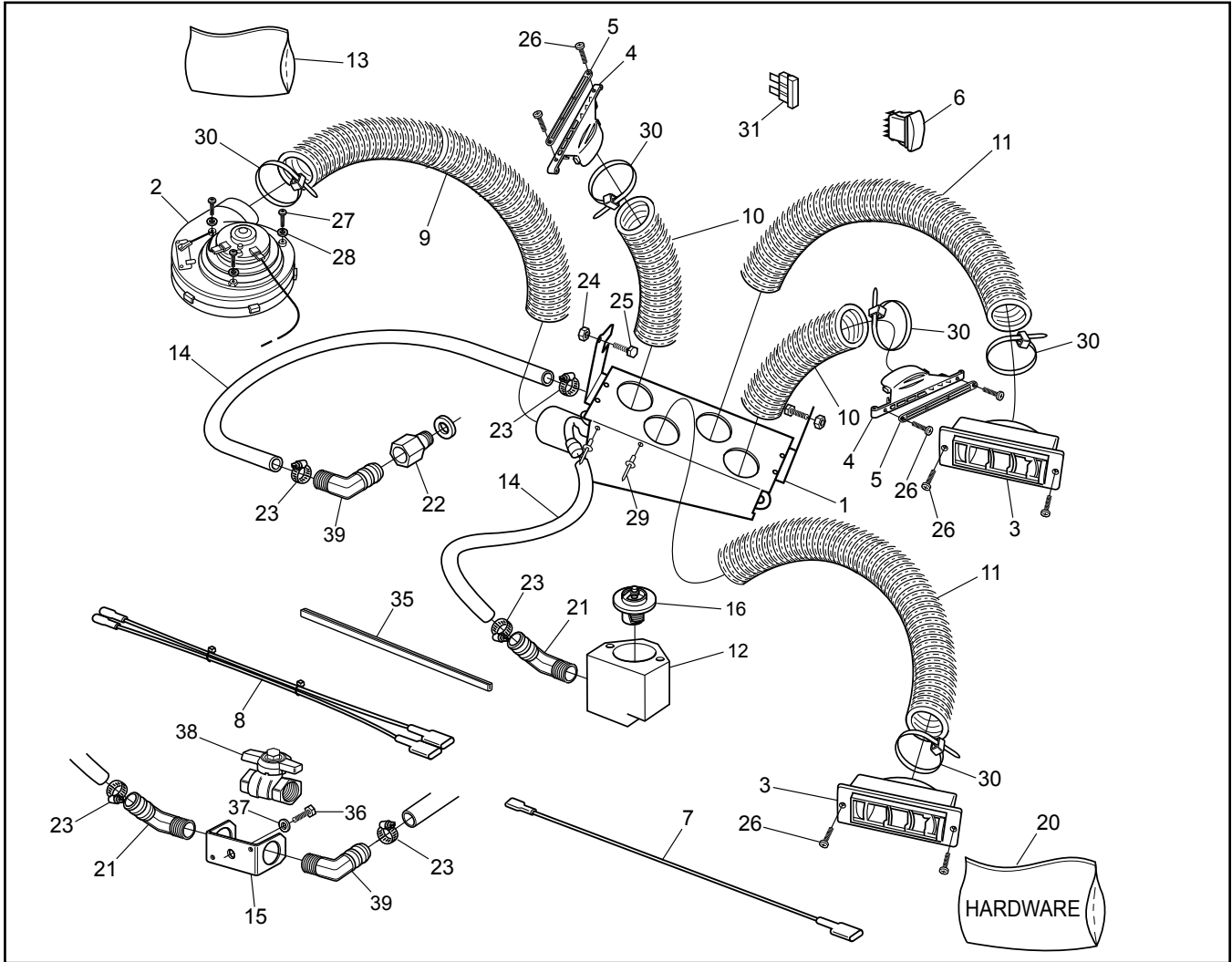


Ref.	Qty.	Part #	Description
1	1	958-132	Panel, Canvas - Windshield
2	1	958-133	Panel, Canvas - FR L Door
3	1	958-134	Panel, Canvas - FR R Door
4	1	958-139	Panel, Canvas - RR L Door
5	1	958-140	Panel, Canvas - RR R Door
6	1	958-141	Panel, Canvas - RR Center Panel L
7	1	958-142	Panel, Canvas - RR Center Panel R
8	1	958-143	Panel, Canvas - RR Tailgate
9	1	958-146	Panel, Canvas - RR Tailgate HDR

Ref.	Qty.	Part #	Description
<b>12</b>	<b>1</b>	<b>958-115HDW</b>	<b>Hardware, 4 Person Canvas Enclosure - XT includes:</b>
13	5	958-145	Track, J Clip - 60"
14	11	627-02	Dome Snaps-Clip, Windshield
15	12	627-10	Dome Stud #8 x 3/8" #688
16	32	958-144	Dome, Blank
17	42	120-11	Rivet, 5/32 x .157-.472
18	42	120-04	Washer .19x.50x.08 Zn
19	32	120-20	Rivet - 1/8 x 1/4
20	33	4003E	Socket Nickle Plated Brass (Snap Fastener)
21	33	4002E	Cap, Finish (Snap Fastener)

# 16.0 Accessories

# 958-129 Heater Kit - XTI



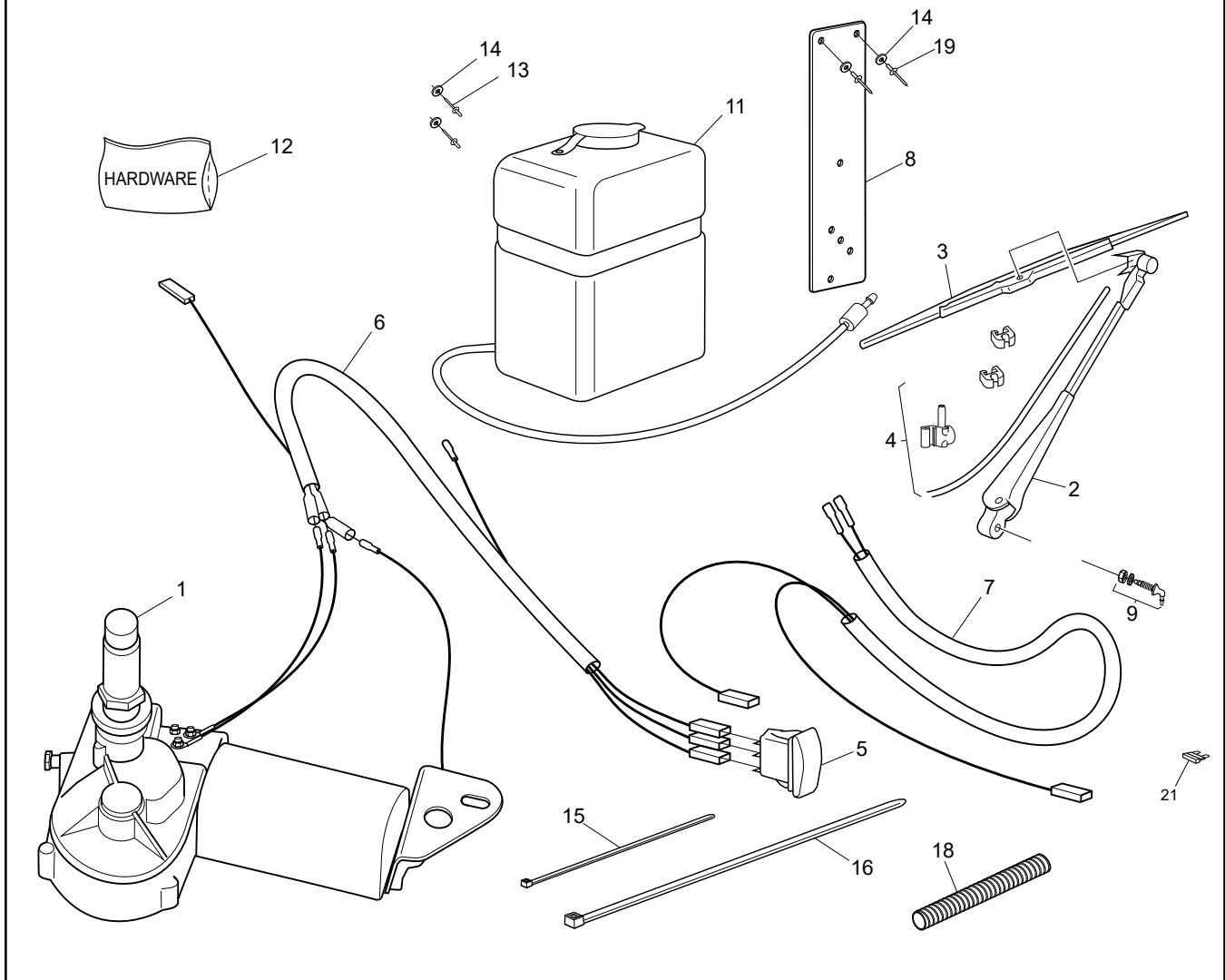
Ref.	Qty.	Part #	Description
1	1	958-127	Heater Box W/Core
2	1	953-56	Fan, Blower Heater
3	2	953-57	Louver, Heater Vent
4	2	953-58	Plenum, Defroster
5	2	953-59	Grill, Vent Defrost
6	1	613-157	Switch, Heater Fan
7	1	613-167	Ground Wire, Heater Switch
8	1	613-204	Wire Harness, Heater - XT
9	1	953-61	Hose, Inlet 3" x 24"
10	2	953-66	Hose, Duct Defrost 2.5"x12"
11	2	953-60	Hose, Heat 2.5" x 36"
12	1	848-106	Housing, Heater Kit
13	1	848-107	Thermostat- Gasket & Fasteners (incl. Ref. 16)
14	2.75'	848-13RM	Hose, Heater - 5/8"IDx250' lg
15	1	848-114	Bracket, Shut Off Valve
16	1	66 453 03	205 Degree Thermostat & Gasket
<b>20</b>	<b>1</b>	<b>958-129HDW</b>	<b>HDW, Heater/Defroster - XT</b>
21	2	848-64	Barb, Hose 5/8x3/8NPTx45 Elbow

Ref.	Qty.	Part #	Description
22	1	848-174	Adapter, M12 x 1.25-3/8 FPT
23	4	638-16	Clamp, Gear 5/8" HF-10
24	2	117-27	Locknut, Nylon 1/4-20 Zn
25	2	112-04	HHCS 1/4-20x3/4 Gr5 Zn
26	8	103-24BL	OHPS T/S #6x1.0 Black Zn
27	3	103-48	T/S Pan HD Phil #10x5/8 A Blk
28	3	120-04	Washer .19x.50x.08 Zn
29	2	120-15	Rivet - 1/8 x 7/16
30	5	100-102	Tie Wrap - 14" - White - 50lb
31	1	118-49	Fuse, 15A 2-Prong (AT015)
32	1	952-218	Tool, Layout Defroster
33	1	952-219	Template, Defroster Location
34	1	952-220	Template, Heater Fan Install
35	1.5	601-107RM	Trim, Neoprene
36	1	112-96	HHCS M6x1x10mm Zn
37	1	108-03	Lockwasher 1/4 Split Ring Zn
38	1	848-113	Valve, Shutoff
39	3	848-31	Barb, Beaded Hose 90 Elbow

# 958-130 Windshield Wiper/Washer

# 16.0 Accessories

For 958-90 Fixed Windshield only. Will not work with 988-192 Fold Down Windshield.

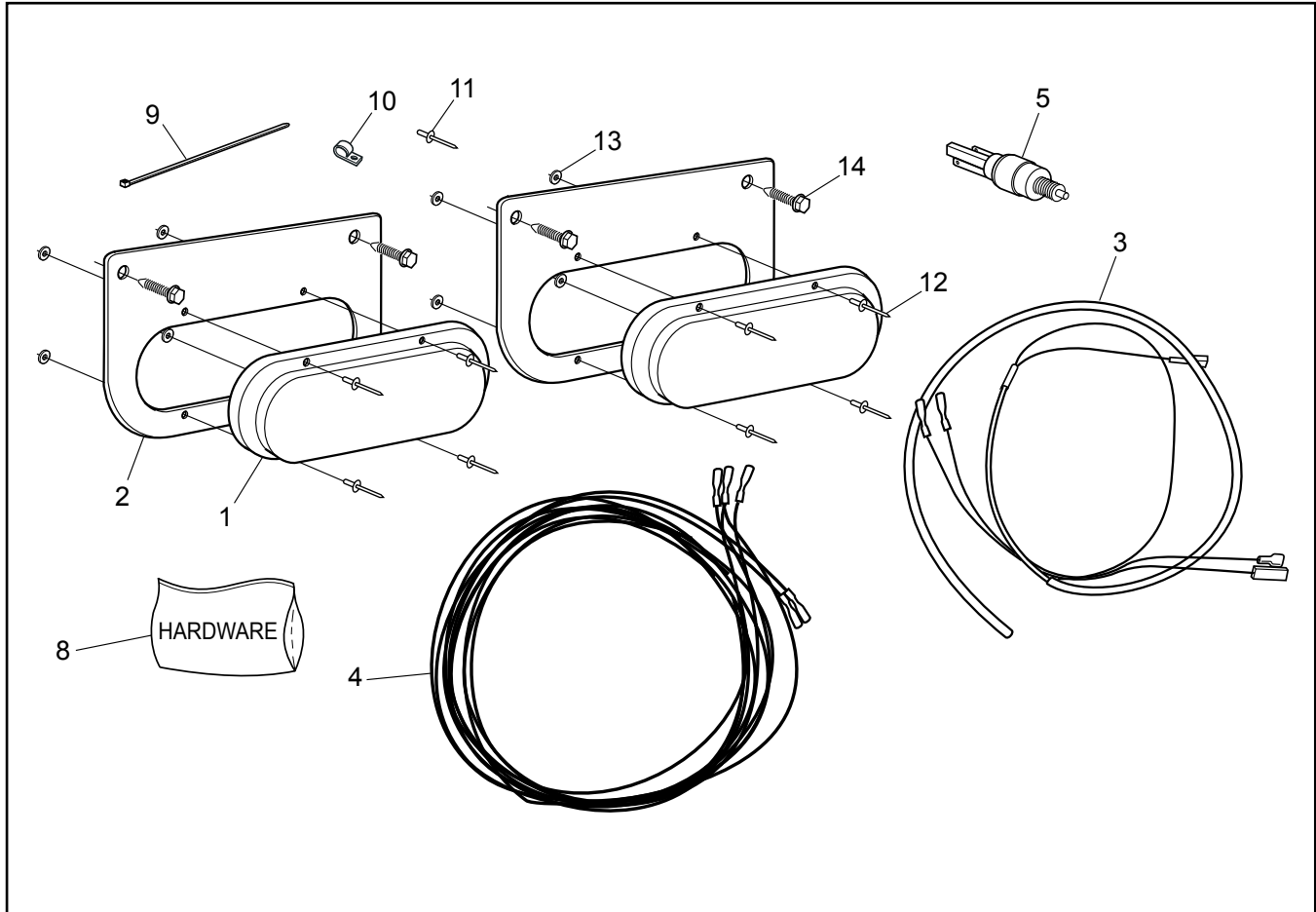


Ref.	Qty.	Part #	Description
1	1	953-62	Motor, Wiper 110 Degree 2 SP
2	1	849-268	Arm, Wiper Radial
3	1	849-269	Blade, Wiper 19"
4	1	849-271	Nozzle, Washer Arm Kit
5	1	613-203	Switch, Wiper 1Spd W/Washer
6	1	613-205	Wire Harness, Wiper - XT
7	1	613-206	Wire Harness, Washer - XT
8	1	958-215	Bracket, Reservoir - XT
9	1	849-272	Fitting, Bulkhead 90 Degree
10	1	849-273	Hose, Washer 3/16"
11	1	849-274	Reservoir, Washer W/Pump
12	1	958-130HDW	<b>Hardware, Wiper Washer XTI</b>
13	3	120-13	Rivet - 3/16 X 3/4 Black
14	5	120-04	Washer .19x.50x.08 Zn

Ref.	Qty.	Part #	Description
15	6	100-64	Tie Wrap - 5.5" - Black
16	2	100-102	Tie Wrap - 14" - White - 50lb
17	3	118-75	Terminal, Male Bullet Red
18	.5	613-207-6	Loom, Nylon .25" ID
19	2	120-14	Rivet - 3/16 x 5/8 Black
20	1	103-48	T/S Pan Hd Phil #10x5/8 A Blk

# 16.0 Accessories

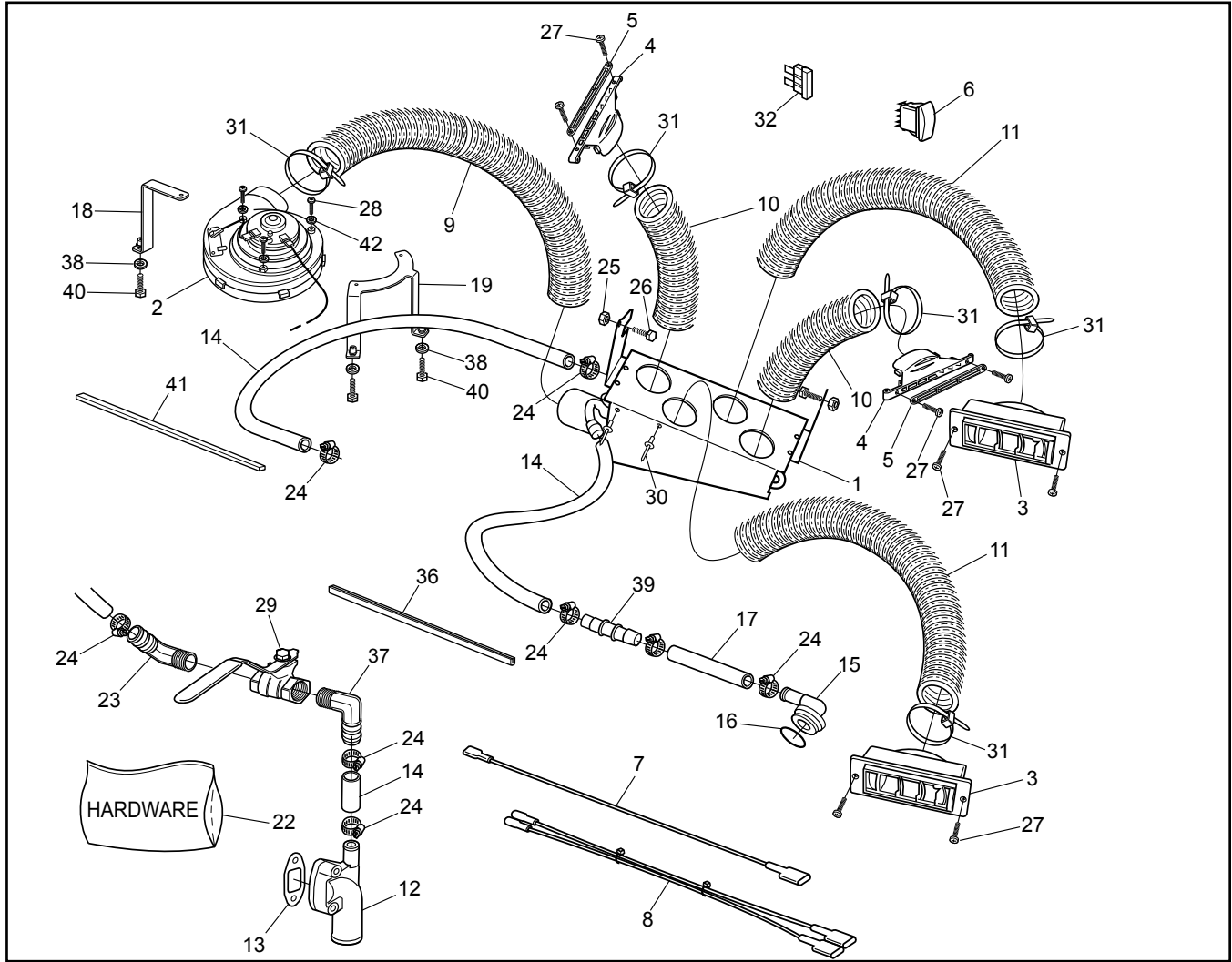
# 958-147 Brake/Tail Lights



Ref.	Qty.	Part #	Description
1	2	613-208	Light, Brake/Tail LED Oval
2	2	952-221	Bracket, Brake Light Oval
3	1	624-28	Harness, Brake Light Switch XT
4	1	624-29	Wire Harness, Brake Light - XT
5	1	613-165	Switch, Brake Light - HDI
<b>8</b>	<b>1</b>	<b>958-147HDW</b>	<b>Tail &amp; Brake Light Hardware</b>
9	6	100-64	Tie Wrap - 5.5" - Black
10	3	126-93	Clamp, Nylon Wire - 1/2" ID
11	3	120-13	Rivet - 3/16 x 3/4 Black
12	8	120-11	Rivet, 5/32 x .157-.472
13	8	108-28	Washer .156x.375x.047 Zn
14	4	112-102	Screw, Self Drill 12-14 x 3/4"
15	4	103-55	HHCS 5/16-18 x 2.75 Gr5 Zn
16	4	108-24	Washer .34 x .70 x .06 Zn
17	4	117-21	Locknut, Nylon 5/16-18 Zn

# 958-156 Heater Assembly - XTD

# 16.0 Accessories

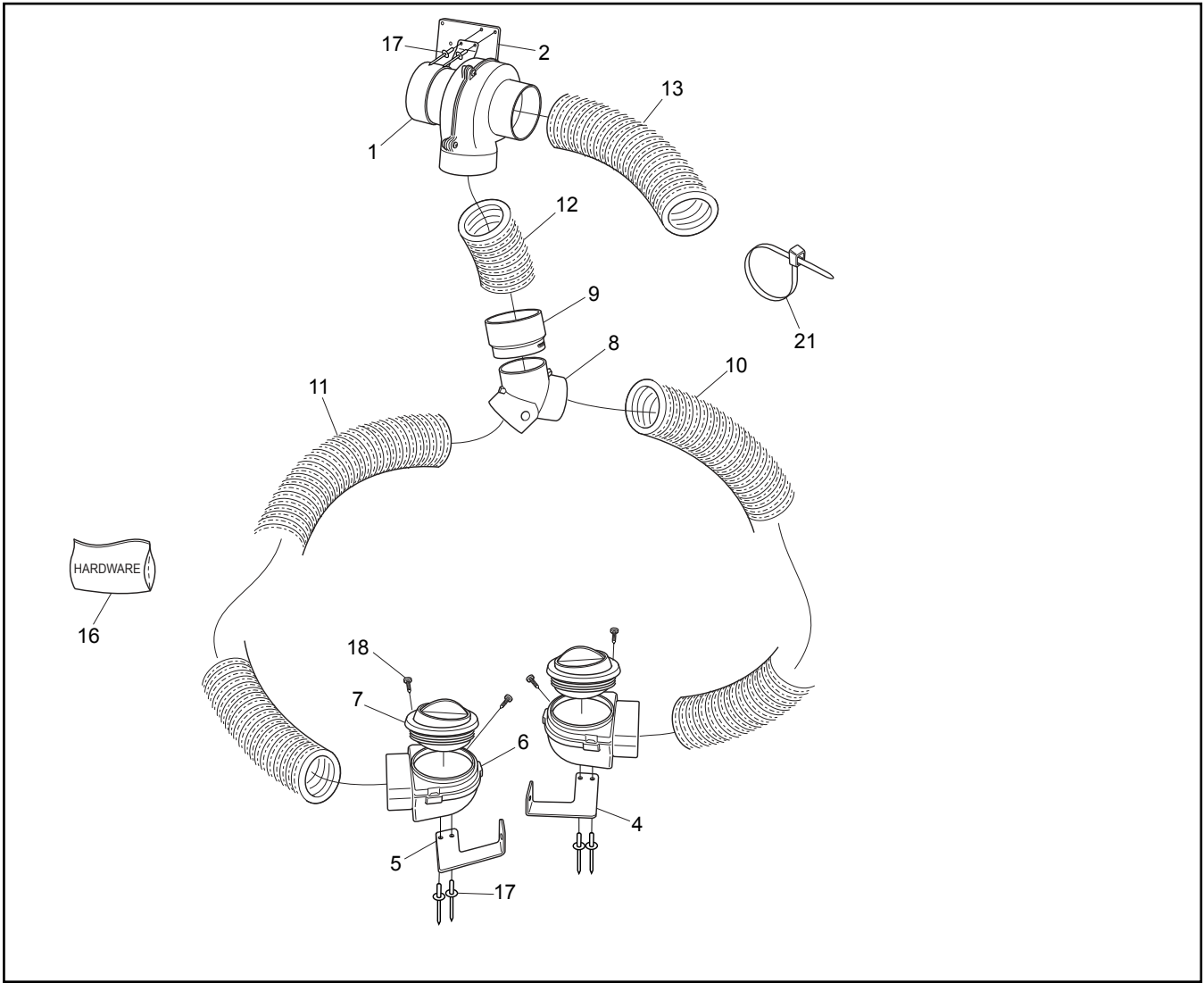


Ref.	Qty.	Part #	Description
1	1	958-127	Heater Box W/Core
2	1	953-56	Fan, Blower Heater
3	2	953-57	Louver, Heater Vent
4	2	953-58	Plenum, Defroster
5	2	953-59	Grill, Vent Defrost
6	1	613-157	Switch, Heater Fan
7	1	613-167	Ground Wire, Heater Switch
8	1	613-204	Wire Harness, Heater - XT
9	1	953-61	Hose, Inlet 3" x 24"
10	2	953-66	Hose, Duct Defrost 2.5" x 12"
11	2	953-60	Hose, Heat 2.5" x 36"
12	1	953-84	Heater Outlet Housing
13	1	953-85	Gasket, Outlet Housing
14	2.5	848-13RM	Hose, Heater - 5/8"ID x 250' lg
15	1	953-86	Fitting, Return Port
16	1	953-87	Gasket, Return Port
17	.5	958-162	Hose, Heater 1/2" ID RM
18	1	952-243	Bracket, Fan Single XTD
19	1	952-244	Bracket, Fan Double XTD
22	1	958-156HDW	HDW, Heater/Defroster - XT
23	3	848-64	Barb, Hose 5/8 x 3/8NPT x 45 Elbow

Ref.	Qty.	Part #	Description
24	8	638-16	Clamp, Gear 5/8" HF-10
25	2	117-27	Locknut, Nylon 1/4-20 Zn
26	2	112-04	HHCS 1/4-20 x 3/4 Gr5 Zn
27	8	103-24BL	OHPS T/S #6 x 1.0 Black Zn
28	3	103-48	T/S Pan HD Phil #10 x 5/8 A Blk
29	1	848-113	Valve, Shutoff
30	2	120-15	Rivet - 1/8 x 7/16
31	5	100-102	Tie Wrap - 14" - White - 50lb
32	1	118-49	Fuse, 15A 2-Prong (AT015)
33	1	952-218	Tool, Layout Defroster
34	1	952-219	Template, Defroster Location
35	1	952-220	Template, Heater Fan Install
36	1.5	601-107RM	Trim, Neoprene
37	1	848-31	Barb, Beaded Hose 90 Elbow - NPT
38	3	108-03	Lockwasher 1/4 Split Ring Zn
39	1	958-163	Fitting, Reducer 5/8 -1/2 Barb
40	3	112-220	HHCS M6x1x20mm Gr8.8 Zn
41	1.3	126-60	Vinyl Strip 1/2"x1/4"
42	3	120-04	Washer .19 x .50 x .08 Zn

# 16.0 Accessories

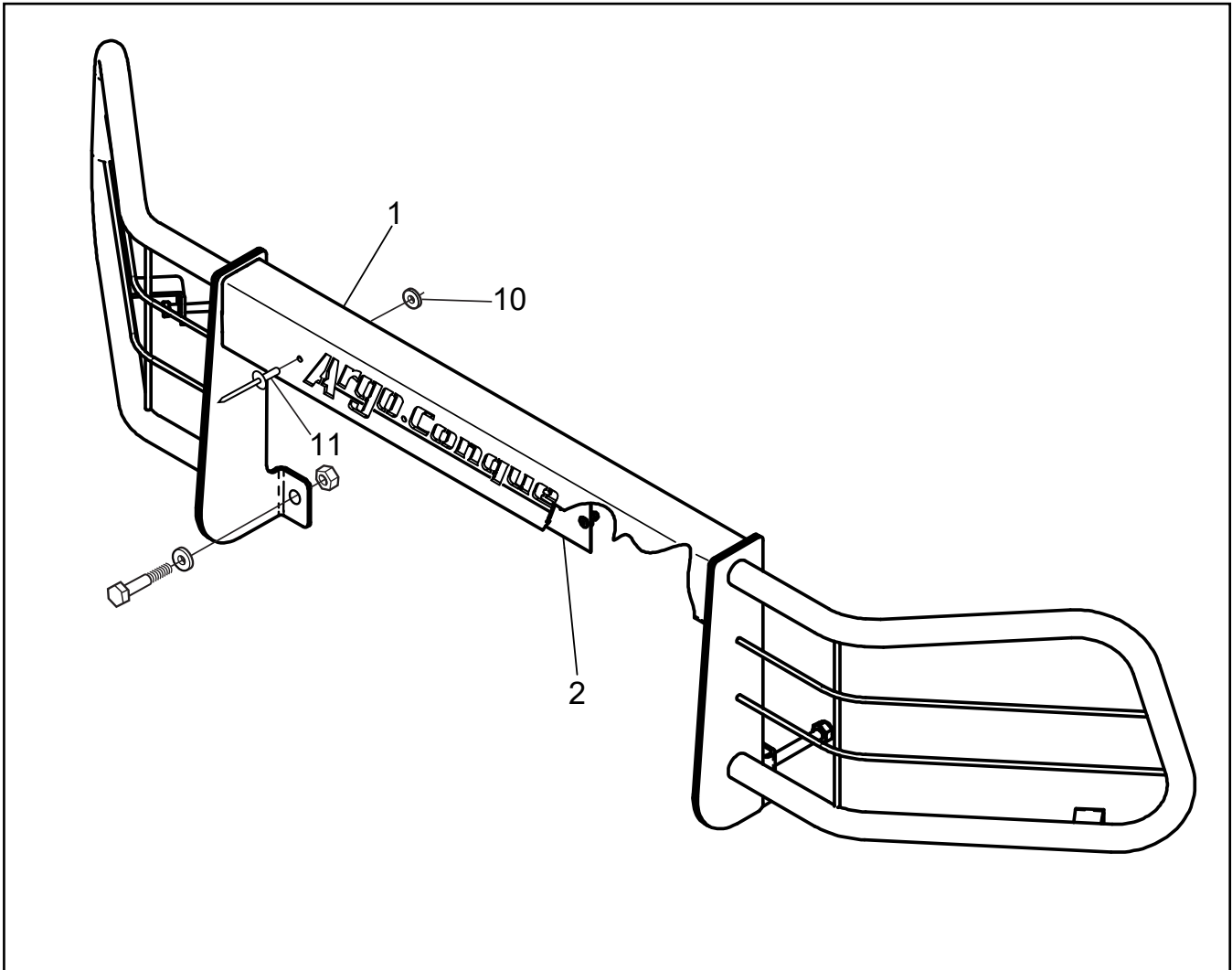
# 958-157 Brake Cooling Accessory



Ref.	Qty.	Part #	Description	Ref.	Qty.	Part #	Description
1	1	127-184	Blower Fan c/w Mtg Bracket	16	1	958-157HDW	Hardware, Service Brake Cooling XT
2	1	952-247	Bracket, Fan Brake Cooling	17	12	120-14	Rivet - 3/16 x 5/8 Black
3	1	613-221	Wire Harness, Brake Cooling XT	18	4	112-139	OHPS T/S #4X5/8 Black Zn
4	1	952-246	Bracket, Cooling Duct LH	19	1	118-02	Terminal, Male - #76-1251
5	1	952-248	Bracket, Cooling Duct RH	20	1	118-03	Terminal, Female - #76-1289
6	2	864-06	Duct, Brake Cooling	21	9	100-102	Tie Wrap - 14" - White - 50lb
7	2	864-07	Louver, Brake Cooling				
8	1	864-04	Fitting, 2.5" Hose Y				
9	1	864-05	Fitting, Hose Reducer 3" -2.5"				
10	1	864-08	Hose, Brake 2.5" x 24"				
11	1	864-09	Hose, Brake 2.5" x 48"				
12	1	864-10	Hose, Brake 3" x 6"				
13	1	864-12	Hose, Brake 3" x 48"				

# 958-165 Brush Guard

# 16.0 Accessories

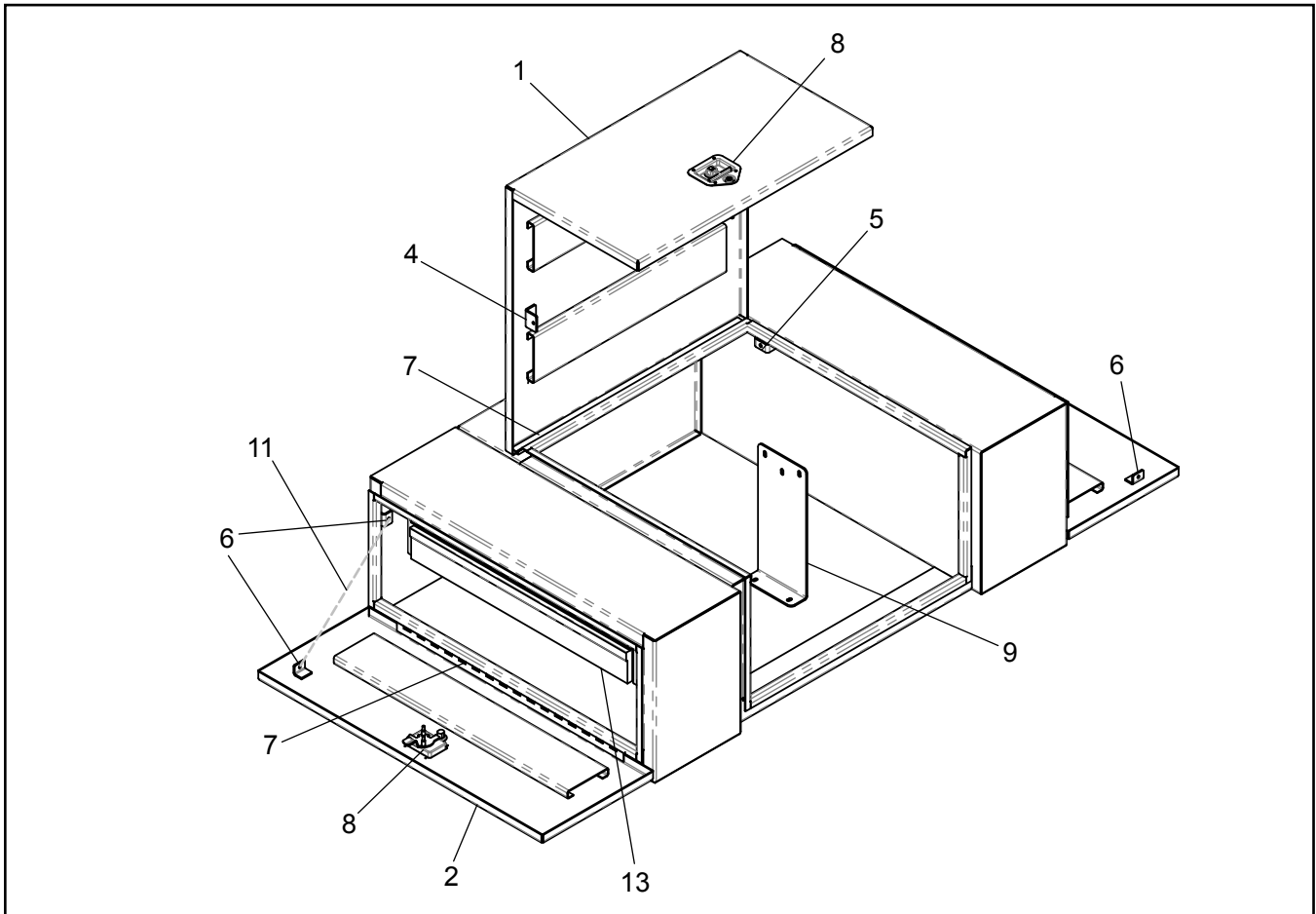


Ref.	Qty.	Part #	Description
1	1	958-158	Brushguard, One Piece - XT
2	1	958-128	Plate, Name Backer
10	3	120-04	Washer .19x.50x.08 Zn
11	3	120-14	Rivet - 3/16 x 5/8 Black



# 16.0 Accessories

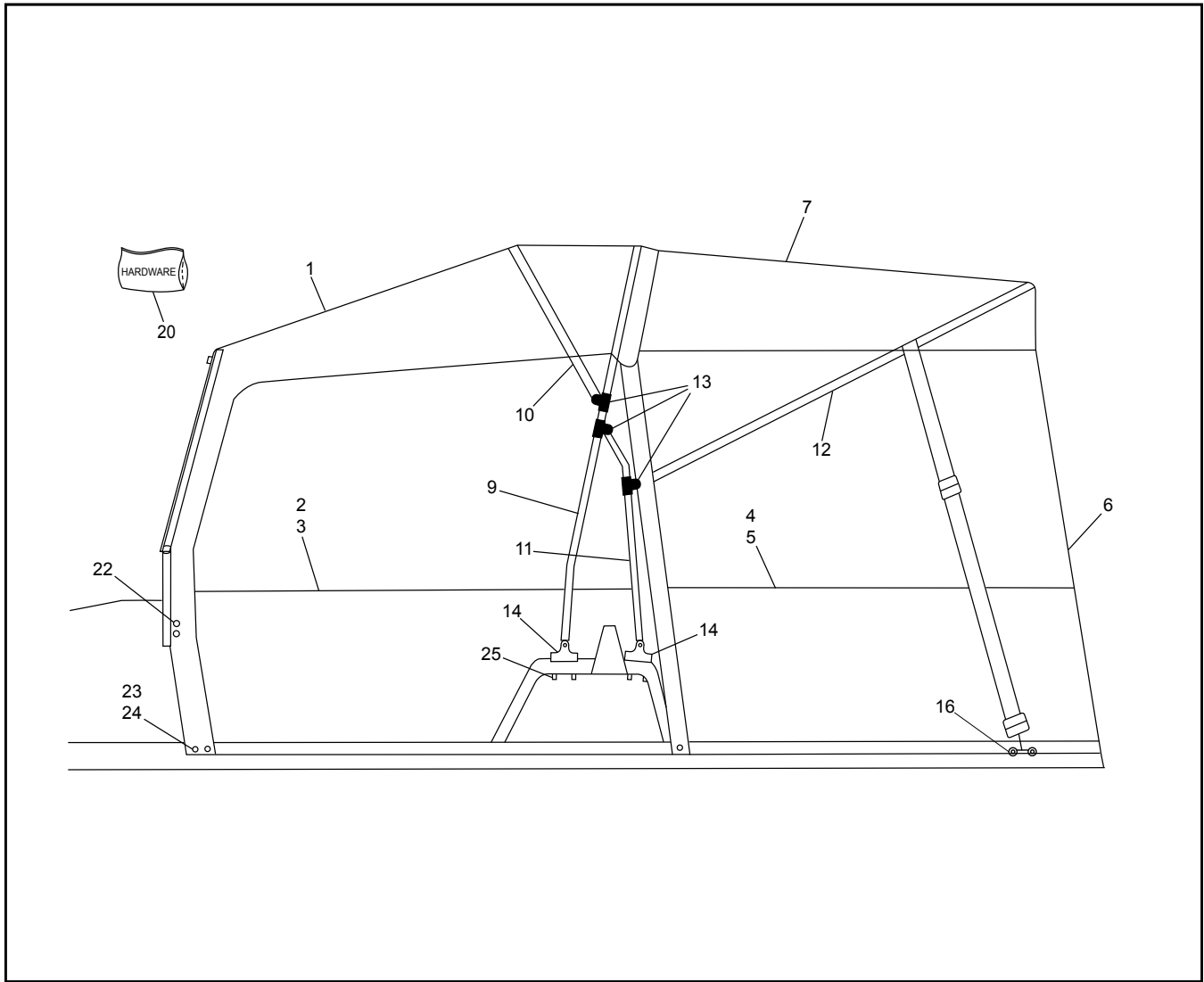
# 958-168 XT Utility Box



Ref.	Qty.	Part #	Description
1	1	WB-L005	Top Lid
2	2	WB-S003	Side Door
3	1	WB-001	Shelf
4	2	WB-002	Lid Top Gas Shock Bracket
5	2	WB-003	Lid Side Gas Shock Bracket
6	4	WIL-4040	Chain Holder Bracket
7	3	7510071	Piano Hinge
8	3	21509	Teardrop Lock
9	1	WB-004	Mounting Bracket & Hardware
10	1	WB-005	Hoop Clamp Bracket & Hardware
11	2	45071	Door Chain
12	2	NSK725V90M	18.5" Gas Shock
13	1	958-169	Optional Drawer

# 958-171 Convertible Top - 4 Person

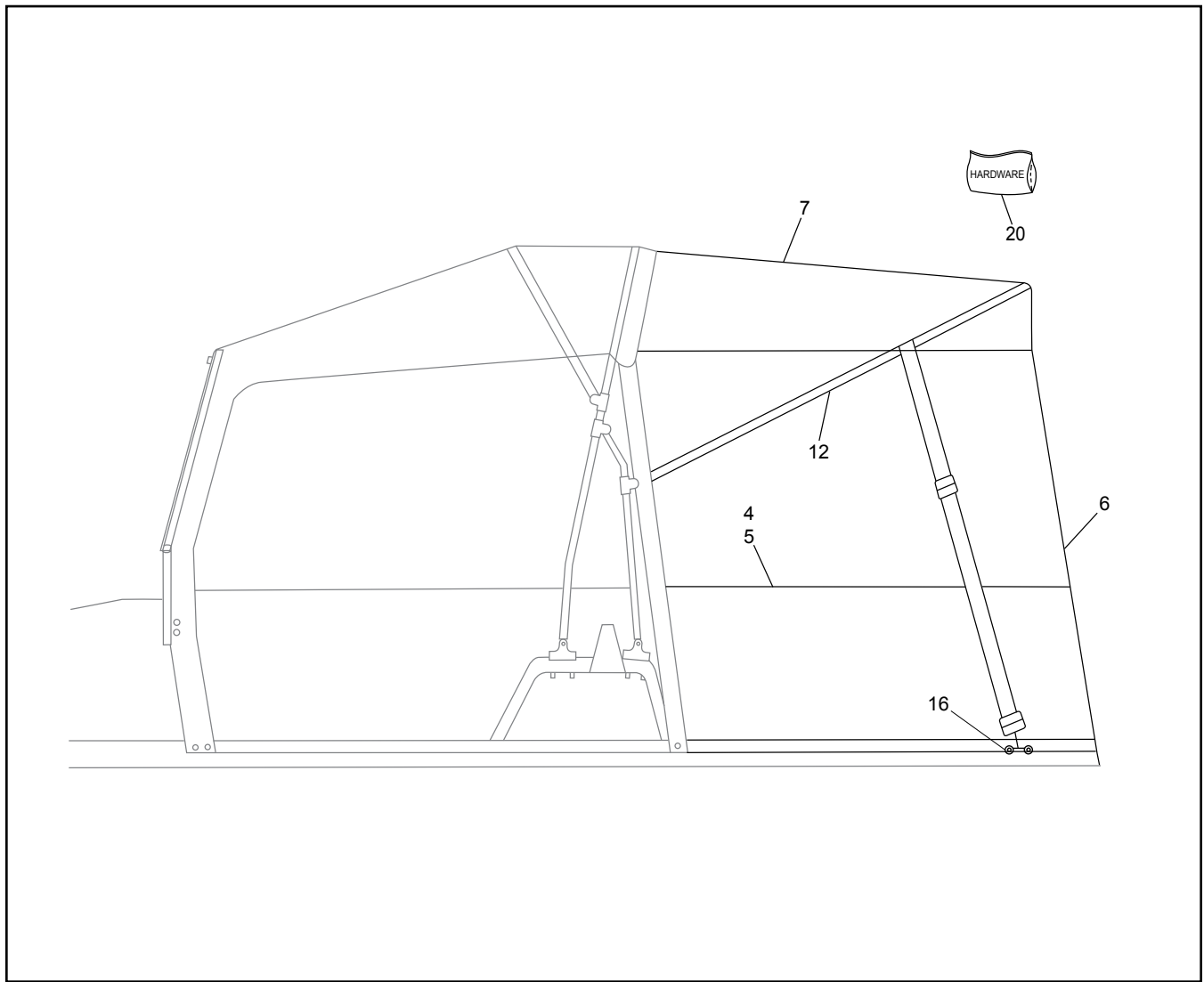
# 16.0 Accessories



Ref.	Qty.	Part #	Description	Ref.	Qty.	Part #	Description
1	1	958-173	Panel, Canvas - Front Roof	12	1	958-186	Frame, Rear Roof Supt Pole
2	1	958-174	Panel, Canvas - RH FR Door	13	3	958-187	Jaw Slide W/ Fasteners
3	1	958-175	Panel, Canvas - LH FR Door	14	4	958-188	Brkt, Nyl Convex Straight Tapped
4	1	958-177	Panel, Canvas - RH RR Door	15	2	958-189	Brkt, Nyl Convex Curved Drilled
5	1	958-178	Panel, Canvas - LH RR Door	16	2	958-190	Brkt, Stl Flat Straight Tapped
6	1	958-179	Panel, Canvas - 4P RR Window	<b>20</b>	<b>1</b>	<b>958-171HDW</b>	<b>XT Canv Encl - 4 Person Hardware</b>
7	1	958-180	Panel, Canvas - Rear Roof	21	25	627-02	Dome Snaps Clip, Windshield
8	1	958-182	Boot, Canvas - 4 Person	22	4	627-10	Dome Stud #8 x 3/8" #688
9	1	958-183	Frame, Main Pole	23	45	958-144	Dome, Blank
10	1	958-184	Frame, Front Roof Supt Pole	24	45	120-20	Rivet - 1/8 x 1/4
11	2	958-185	Frame, Main Pole Supt	25	12	112-102	Screw, Self Drill 12-14 x 3/4"

# 16.0 Accessories

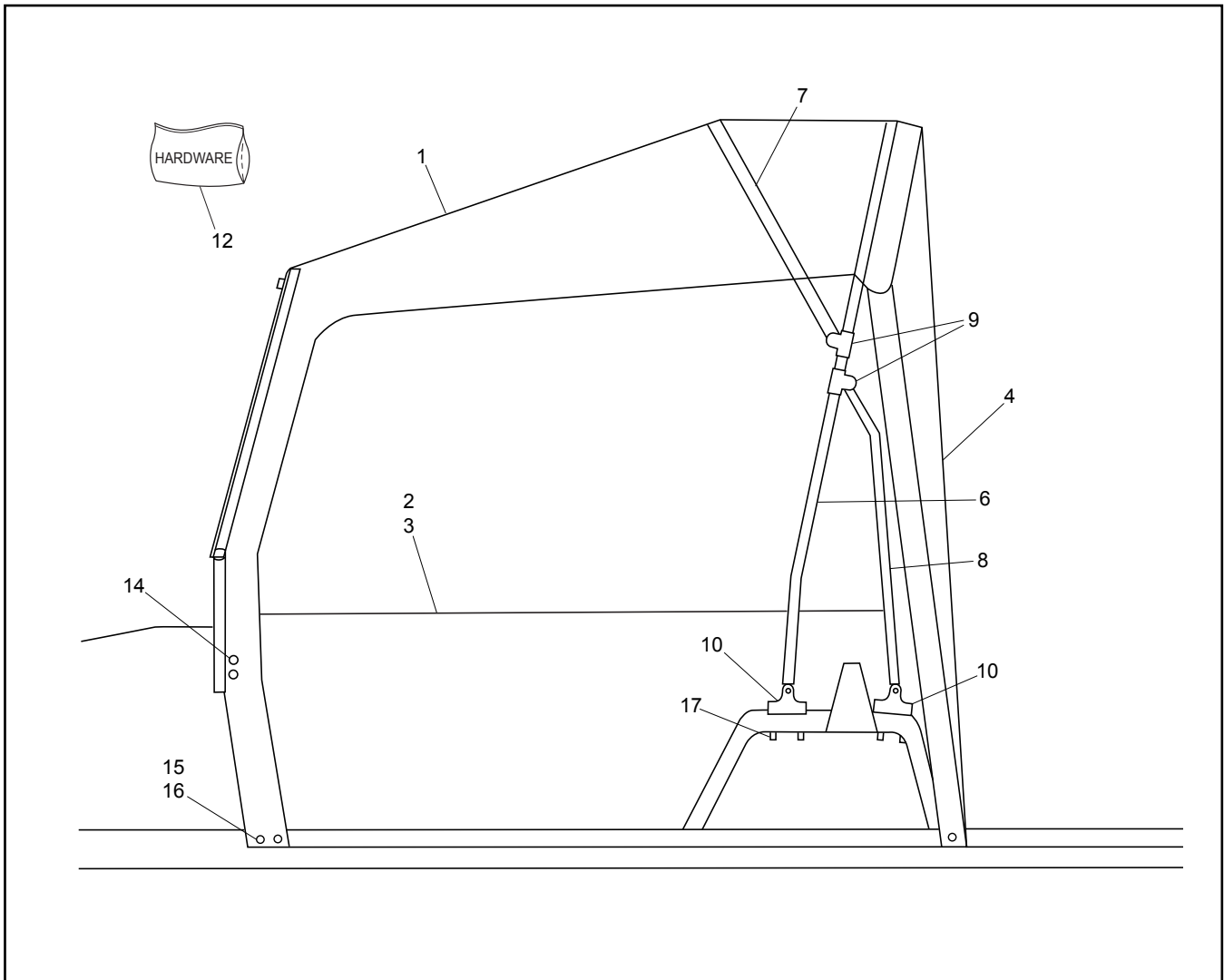
# 958-172 Convertible Top Conversion



Ref.	Qty.	Part #	Description
4	1	958-177	Panel, Canvas - RH RR Door
5	1	958-178	Panel, Canvas - LH RR Door
6	1	958-179	Panel, Canvas - 4P RR Window
7	1	958-180	Panel, Canvas - Rear Roof
8	1	958-182	Boot, Canvas - 4 Person
12	1	958-186	Frame, Rear Roof Supt Pole
16	2	958-190	Brkt, Stl Flat Straight Tapped
<b>20</b>	<b>1</b>	<b>958-172HDW</b>	<b>Soft Canv Encl - 2 to 4 Conv. Hardware</b>
23	21	958-144	Dome, Blank
24	21	120-20	Rivet - 1/8 x 1/4
25	4	112-102	Screw, Self Drill 12-14 x 3/4"

# 958-191 Convertible Top - 2 Person

# 16.0 Accessories

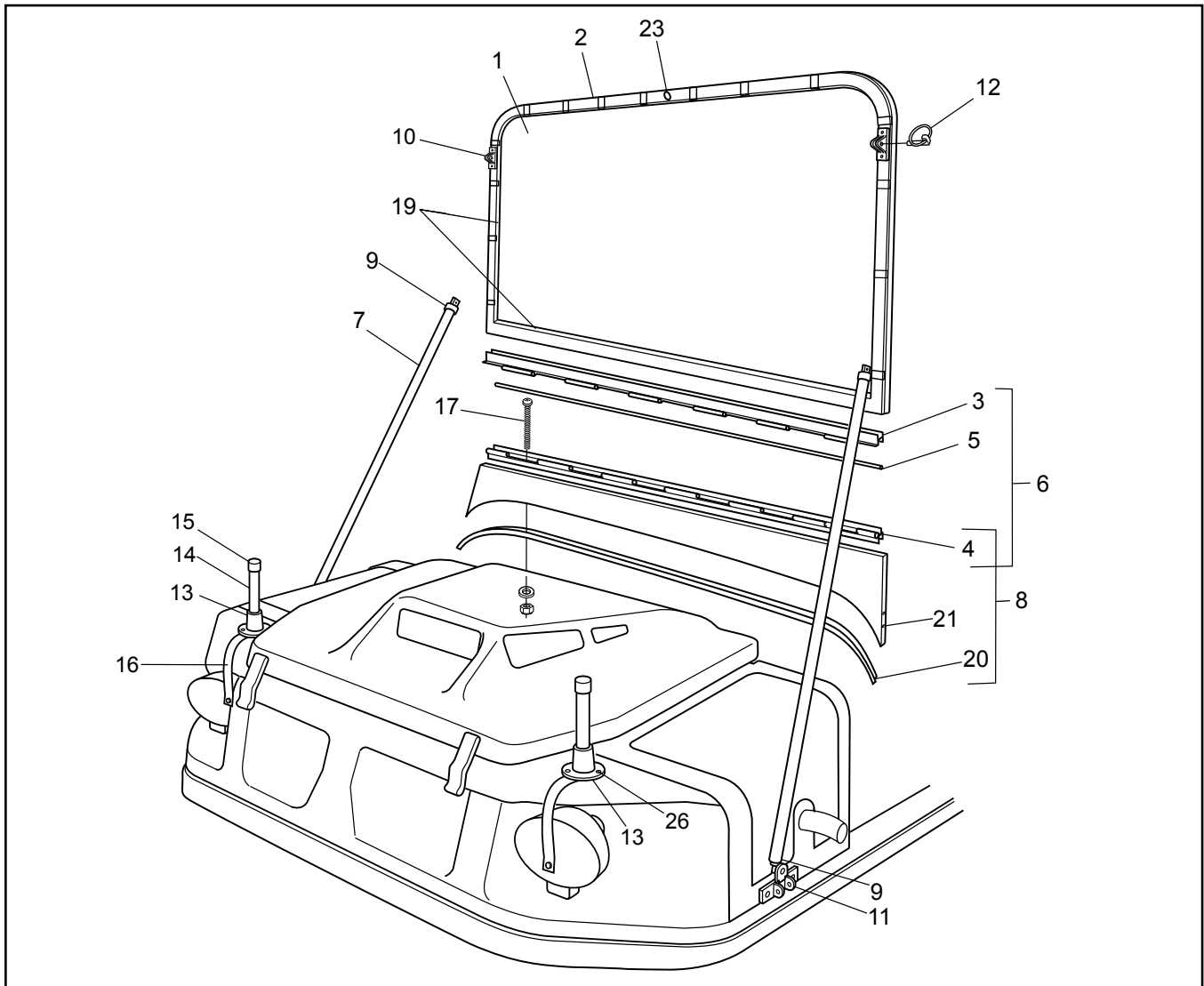


Ref.	Qty.	Part #	Description
1	1	958-173	Panel, Canvas - Front Roof
2	1	958-174	Panel, Canvas - RH FR Door
3	1	958-175	Panel, Canvas - LH FR Door
4	1	958-176	Panel, Canvas - 2P RR Window
5	1	958-181	Boot, Canvas - 2 Person
6	1	958-183	Frame, Main Pole
7	1	958-184	Frame, Front Roof Support Pole
8	2	958-185	Frame, Main Pole Support
9	3	958-187	Jaw Slide W/ Fasteners
10	4	958-188	Bracket, Nylon Convex Straight Tapped

Ref.	Qty.	Part #	Description
12	1	958-191HDW	<b>XT Canv Encl - 2 Person Hardware</b>
13	25	627-02	Dome Snaps-Clip, Windshield
14	4	627-10	Dome Stud #8 x 3/8" #688
15	30	958-144	Dome, Blank
16	30	120-20	Rivet - 1/8 x 1/4
17	12	112-102	Screw, Self Drill 12-14x3/4"

# 16.0 Accessories

# 958-192 Folding Windshield

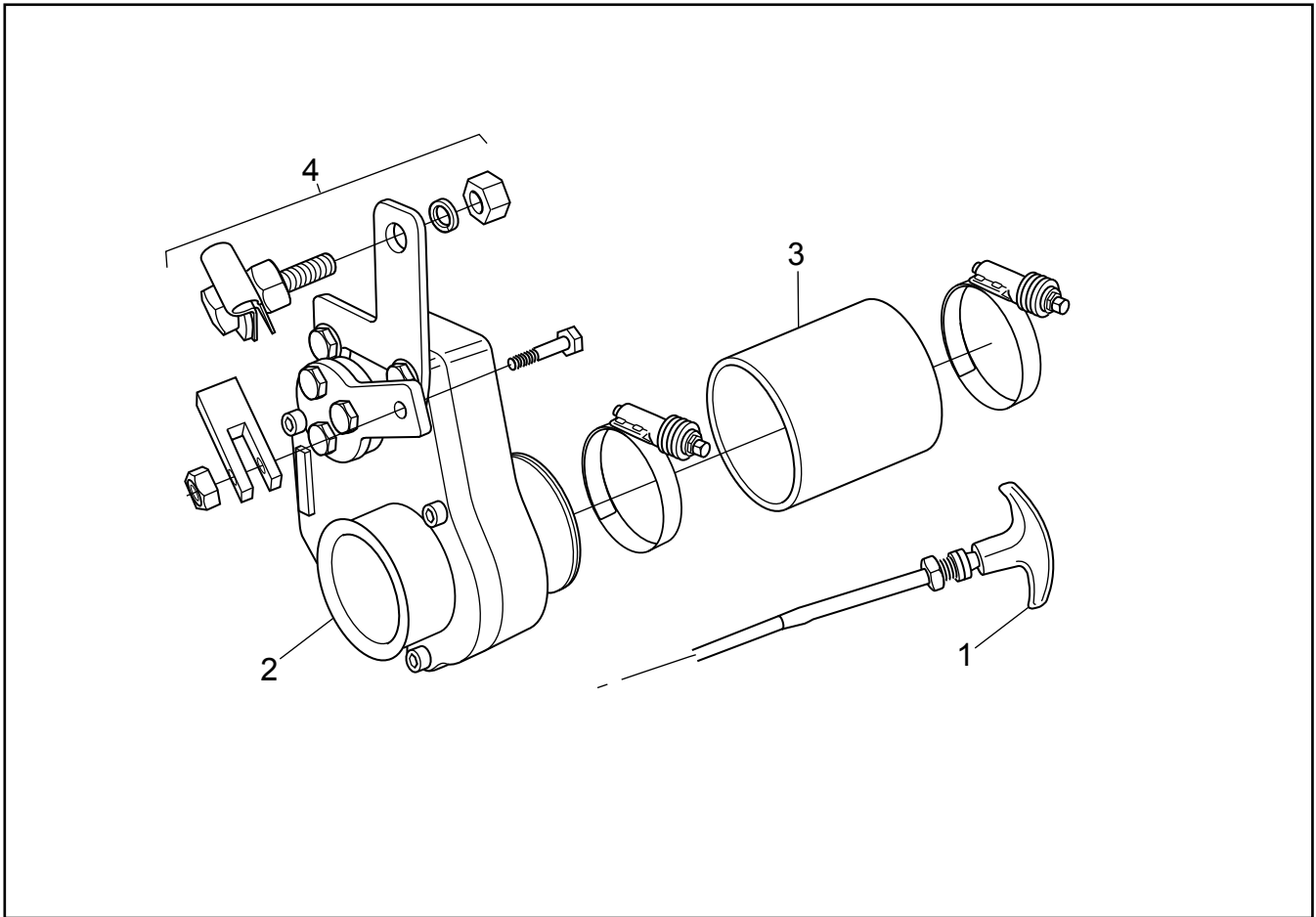


Ref.	Qty.	Part #	Description
1	1	002905-1C-XT	Acrylic, For 958-192 Windshield
2	1	002905-2B-XT	Top Bar - Black
3	1	002905-3B-XT	Hinge, Top - Black
4	1	002905-3A-B-XT	Hinge, Bottom+Gasket Inside
5	1	002904-3B-B-XT	Rod, Aluminium
6	1	002905-4B-XT	Hinge Set, Complete-Black (#3, 4 & 5)
7	2	002904-5B	Arm, Support (Black)
8	1	002905-6B-XT	Acrylic Base, Gasket and Bottom Hinge (#4 & 20)
9	4	002904-7B	Socket Ends & Gasket (Black)
10	2	002904-8A-B	Deck Brackets, Angled
11	2	002904-8C-B-180	Deck Bracket W/Screw 180 Deg.
12	2	627-03	Quik Pin 0269167

Ref.	Qty.	Part #	Description
13	2	002904-10B	Round Base Black
14	2	002904-11B-XT	Tube, Black
15	2	002904-12C	Cap, Black (Rubber)
16	2	002904-13B	Strap (Black)
17	2	002905-14A-XT	Bolt, SS 3.0 + Washer + Nut
18	2	002905-14B-XT	Bolt, SS 4.0 + Washer + Nut
19	1	002904-15-XT	Gasket, XT - Around Glass
20	1	002905-16-XT	Gasket, XT - Windshield to Body
21	5	002904-17	PHD Screw #8 1.25"
22	11	002904-18	PHD Screw #8 .75"
23	1	002904-19	Cap, Black (PVC) Wiper Hole
24	2	0029-20-XT	Retainer, Support Arm
25	6	2904-14A	Jack Nut same as 117-53 Nut, Jack 1/4-20 8L-JNS Zn
26	6	112-102	Screw, Self Drill 12-14 x 3/4"

# 958-200 Emergency Shut Off

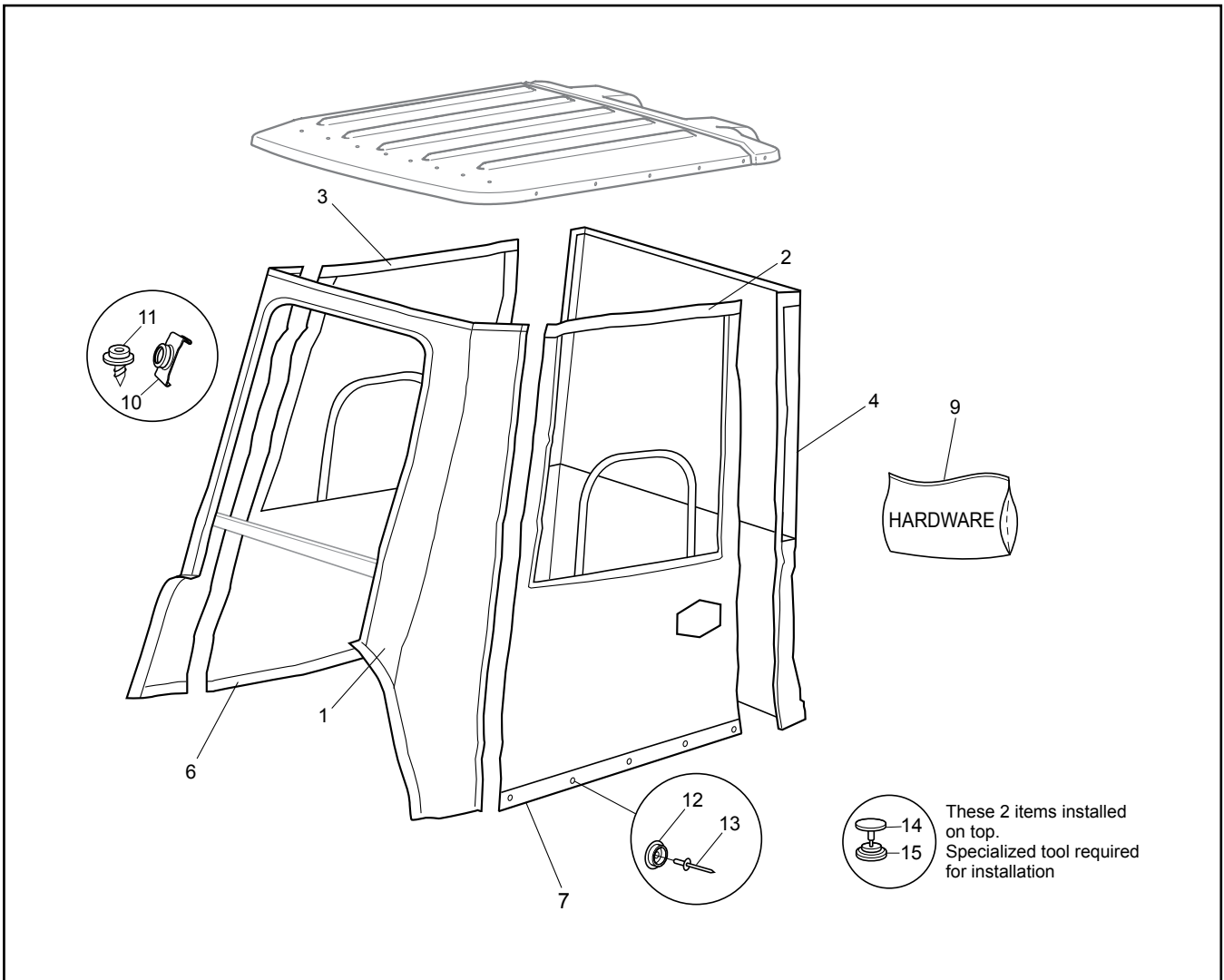
# 16.0 Accessories



Ref.	Qty.	Part #	Description
1	1	958-201	Cable, Emergency Shutoff
2	1	958-202	Valve, Air Shutoff
3	1	958-203	Hose, Shutoff W/Clamps
4	1	958-204	Hardware, Shutoff Activation

# 16.0 Accessories

# 958-205 Two Person Canvas Enclosure

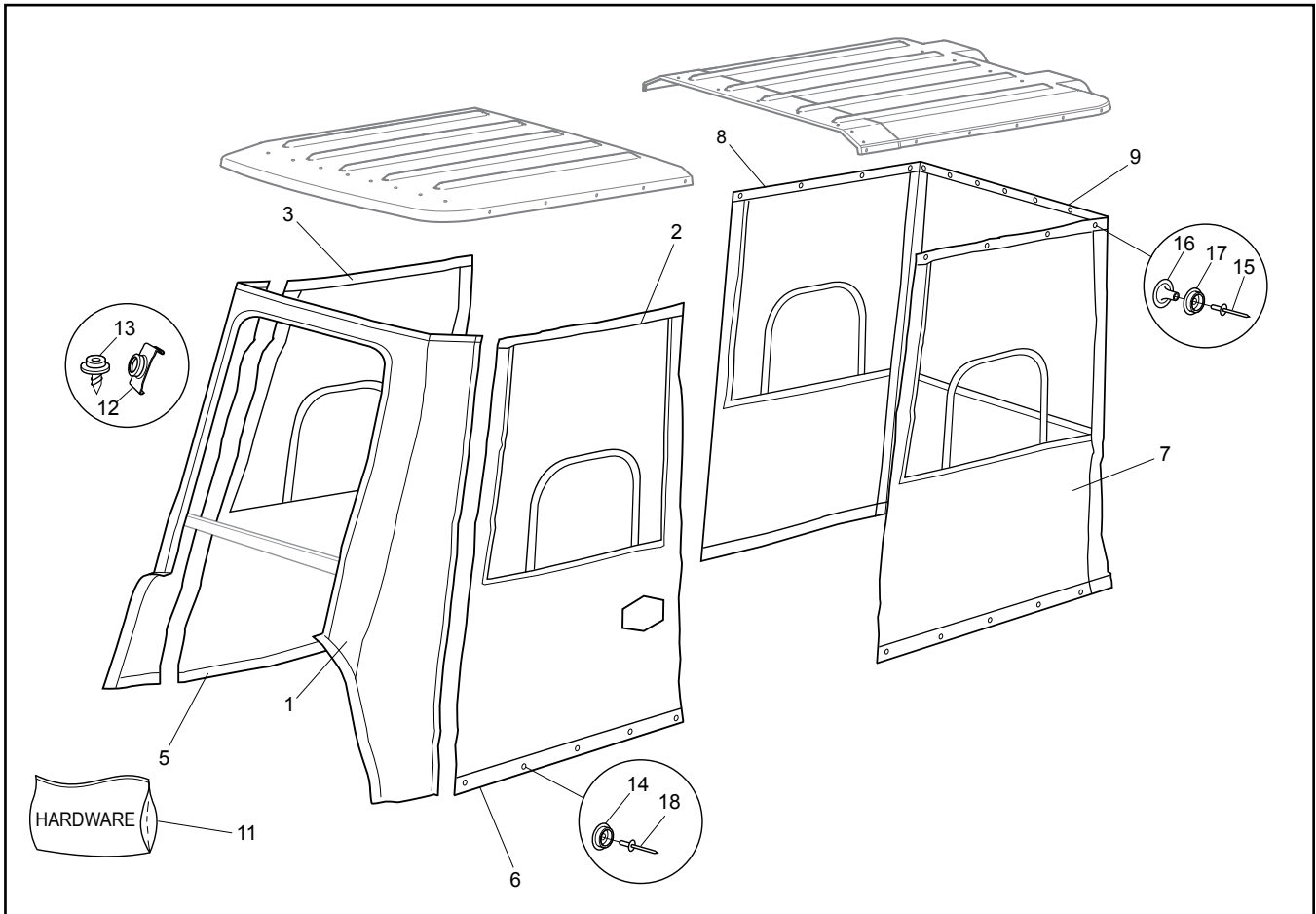


Ref.	Qty.	Part #	Description
1	1	958-206	Mlding, Front W/S - BI Canvas
2	1	958-207	Panel, LH - BI Canvas
3	1	958-208	Panel, RH - BI Canvas
4	1	958-209	Panel, RR W/Window - BI Canvas
5	1	958-212	Pouch, Parts - BI Canvas
6	1	958-211	Mlding, RH Bot - BI Canvas
7	1	958-210	Mlding, LH Bot - BI Canvas
<b>9</b>	<b>1</b>	<b>958-205HDW</b>	<b>Acc, 2 Person Encl - XT Hardware</b>
10	13	627-02	Dome Snaps-Clip, Windshield
11	8	627-10	Dome Stud #8 x 3/8" #688
12	32	958-144	Dome, Blank
13	32	120-20	Rivet - 1/8 x 1/4

Ref.	Qty.	Part #	Description
14	32	958-214	Cap, Dome - Long Post
15	32	958-213	Dome, Blank - Locking
16	24	120-33	Rivet, 1/8 x 1/2 Black

# 958-216 Four Person Enclosure

# 16.0 Accessories

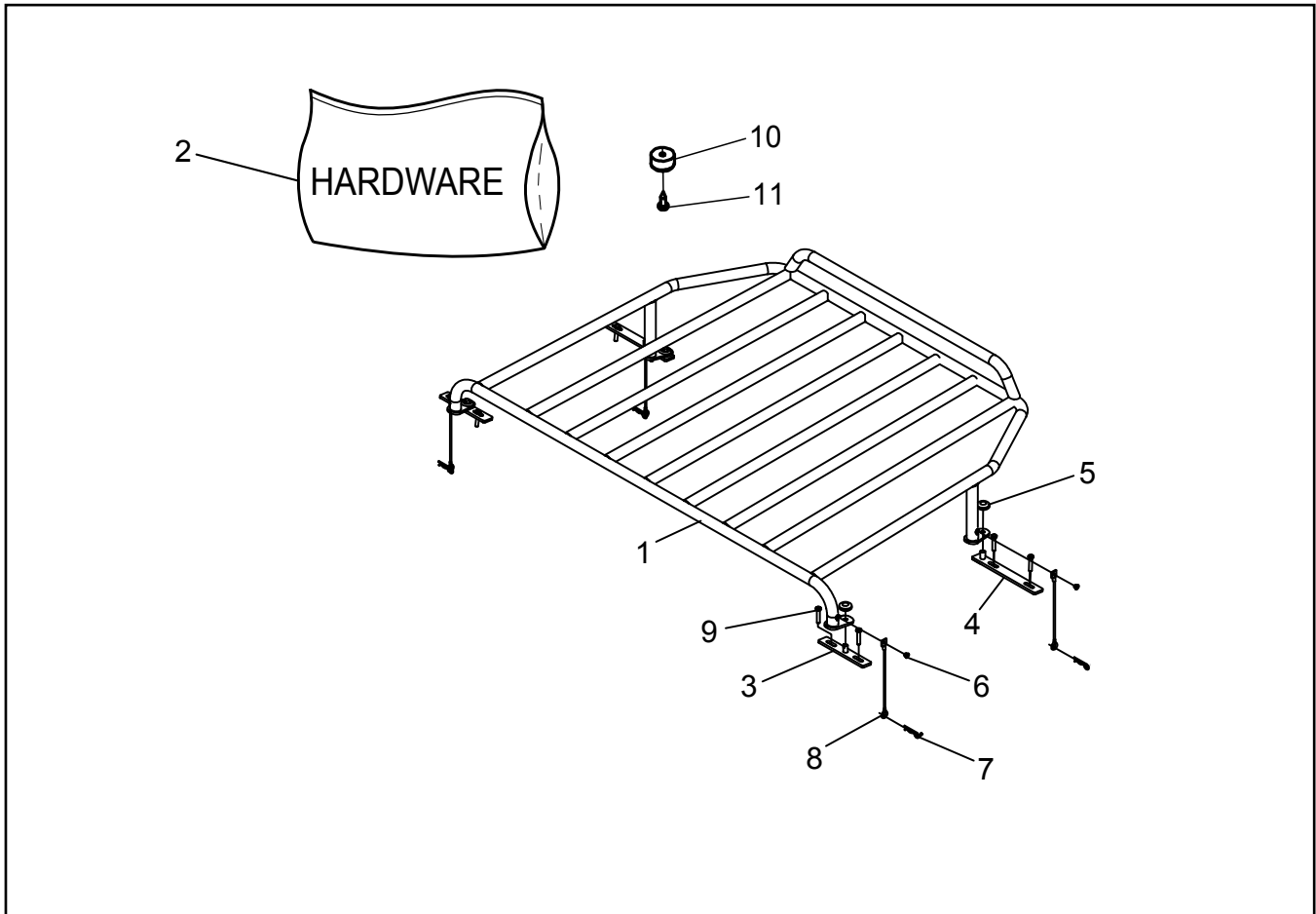


Ref.	Qty.	Part #	Description
1	1	958-206	Molding, Front W/S - BI Canvas
2	1	958-207	Panel, LH - BI Canvas
3	1	958-208	Panel, RH - BI Canvas
4	1	958-212	Pouch, Parts - BI Canvas
5	1	958-211	Molding, RH Bot - BI Canvas
6	1	958-210	Molding, LH Bot - BI Canvas
7	1	958-218	Panel, Rear LH - BI Canvas
8	1	958-219	Panel, Rear RH - BI Canvas
9	1	958-220	Panel, RR 4 Person - BL Canvas
<b>11</b>	<b>1</b>	<b>958-216HDW</b>	<b>Hardware, 4 Person Canvas Enclosure - XT includes:</b>
12	13	627-02	Dome Snaps-Clip, Windshield
13	8	627-10	Dome Stud #8 x 3/8" #688
14	49	958-144	Dome, Blank
15	40	120-20	Rivet - 1/8 x 1/4
16	40	958-214	Cap, Dome - Long Post
17	40	958-213	Dome, Blank - Locking
18	41	120-33	Rivet, 1/8 x 1/2 Black

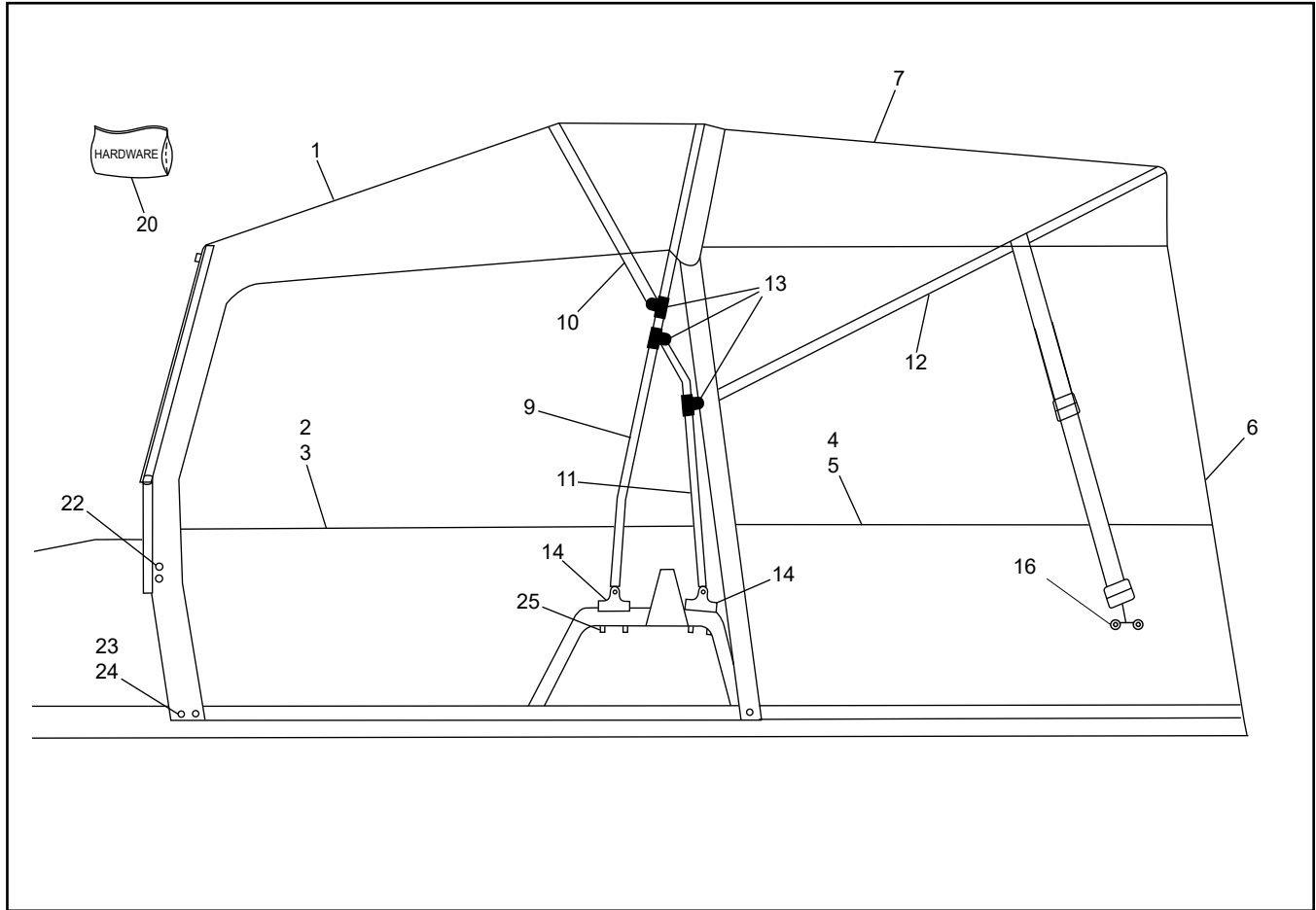


# 16.0 Accessories

# 958-222 Hood Rack



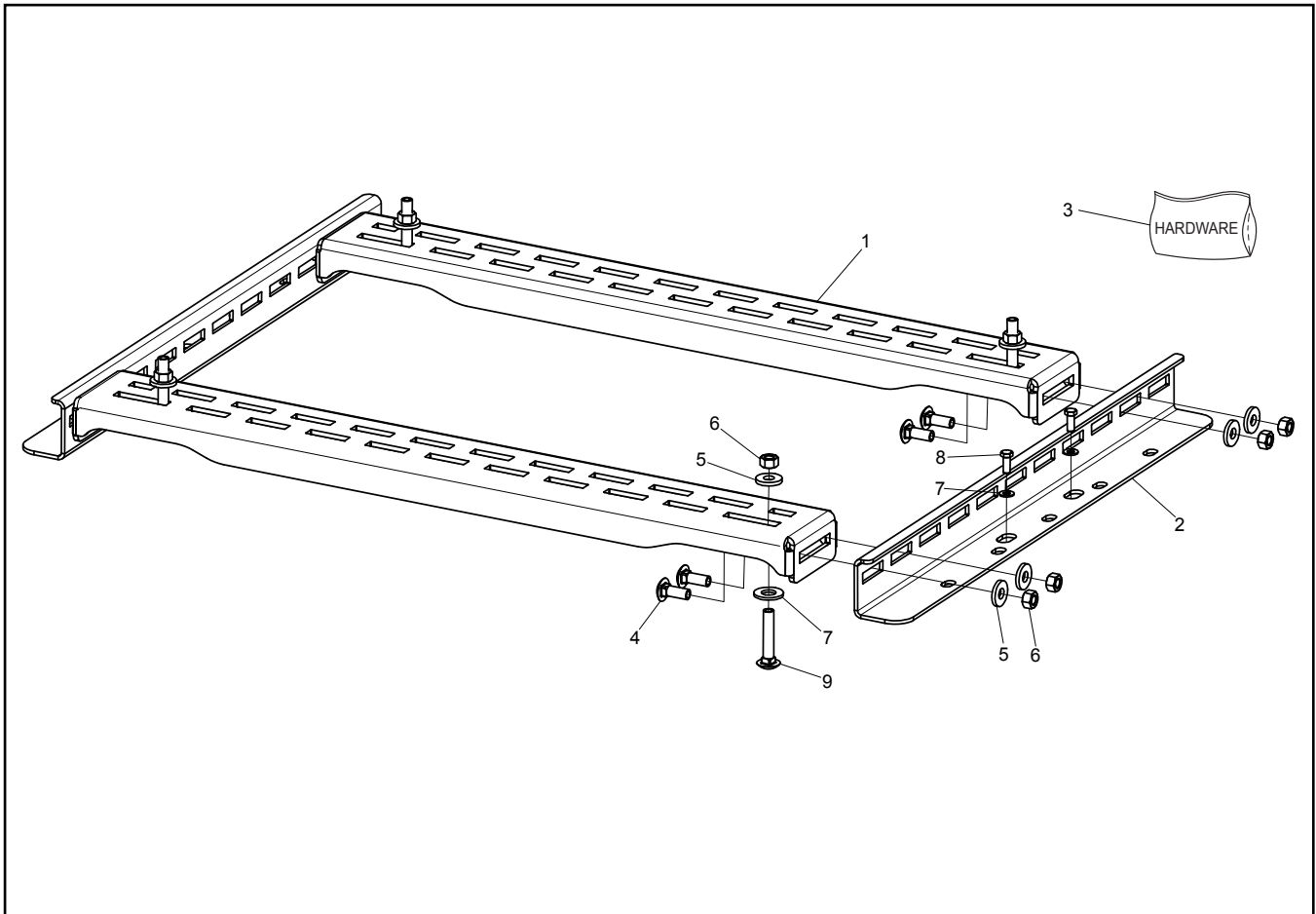
Ref.	Qty.	Part #	Description
1	1	958-223	Wldt, Hood Rack, XT
2	1	<b>958-222HDW</b>	<b>Acc. Hood Rack, XT Hardware (incl. Ref. 3-11)</b>
3	2	958-268	Wldt, Hood Rack Mount - Rear
4	2	958-269	Wldt, Hood Rack Mount - Front
5	4	127-132	Grommet, Rubber - 1/2" ID
6	4	120-31	Rivet, 3/16" x 1/4", Open End
7	4	100-16	Clip, Hitch Pin 1.625 Zn
8	4	104-80	Lanyard, 6" Loop, W/Tab
9	8	112-176	HHCS M6x1,0x30mm Zn
10	2	126-102	Bumper, Recessed Hole
11	2	103-48	T/S Pan Hd Phil #10x5/8 A Blk



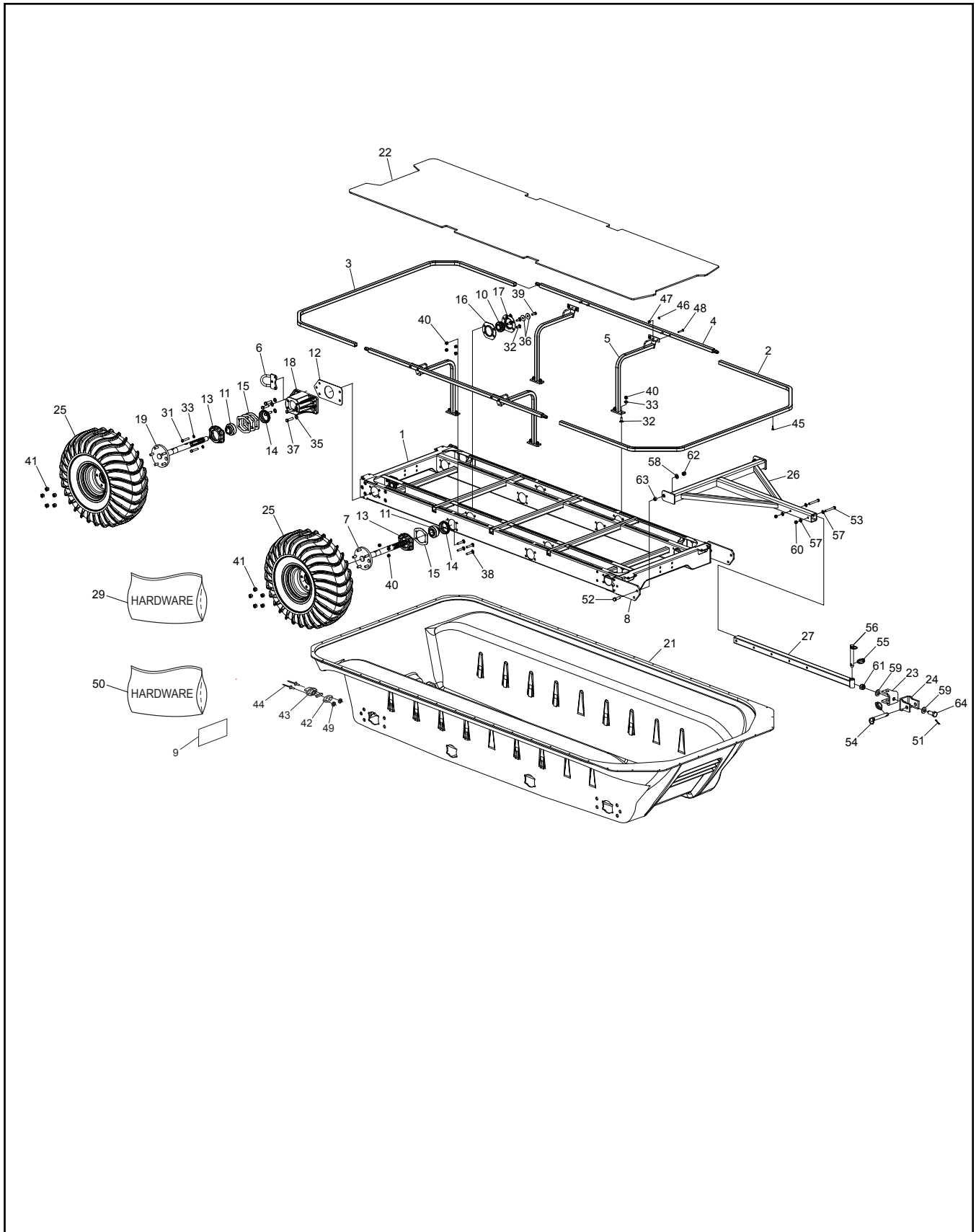
Ref.	Qty.	Part #	Description	Ref.	Qty.	Part #	Description
1	1	958-325	Panel, Canvas - Front Roof	14	4	958-188	Brkt, Nyl Convex Straight Tapped
2	1	958-326	Panel, Canvas - RH FR Door	15	2	958-189	Brkt, Nyl Convex Curved Drilled
3	1	958-327	Panel, Canvas - LH FR Door	16	2	958-190	Brkt, Stl Flat Straight Tapped
4	1	958-328	Panel, Canvas - RH RR Door	<b>20</b>	<b>1</b>	<b>958-171HDW</b>	<b>XT Conv Top - 4 Person Hardware</b>
5	1	958-329	Panel, Canvas - LH RR Door	21	25	627-02	Dome Snaps Clip, Windshield
6	1	958-330	Panel, Canvas - 4P RR Window	22	4	627-10	Dome Stud #8 x 3/8" #688
7	1	958-331	Panel, Canvas - Rear Roof	23	45	958-144	Dome, Blank
8	1	958-332	Boot, Canvas - 4 Person	24	45	120-20	Rivet - 1/8 x 1/4
9	1	958-333	Frame, Main Pole	25	12	112-102	Screw, Self Drill 12-14 x 3/4"
10	1	958-334	Frame, Front Roof Supt Pole				
11	2	958-335	Frame, Main Pole Supt				
12	1	958-336	Frame, Rear Roof Supt Pole				
13	3	958-187	Jaw Slide W/ Fasteners				

# 16.0 Accessories

# 959-01 Universal Mount



Ref.	Qty.	Part #	Description
1	2	959-05	Wid, X-Mbr - Universal Mount XT
2	2	959-03	Asm, Rail - Universal Mount
<b>3</b>	<b>1</b>	<b>959-01HDW</b>	<b>Hardware, Universal Mount-XT</b>
4	12	103-88	C/Bolt 3/8-16x1.0 Gr5 Zn
5	12	108-47	Washer .39x.94x.13 Zn Di-Chro
6	12	117-15	Nut, Fin Hex 3/8-16 Zn
7	8	108-35	Washer .53x1.06x.09 Zn
8	4	112-189	HHCS 1/2-13x1.25 Gr5 Zn
9	4	112-187	C/Bolt 3/8-16x2.0 Gr5 Zn



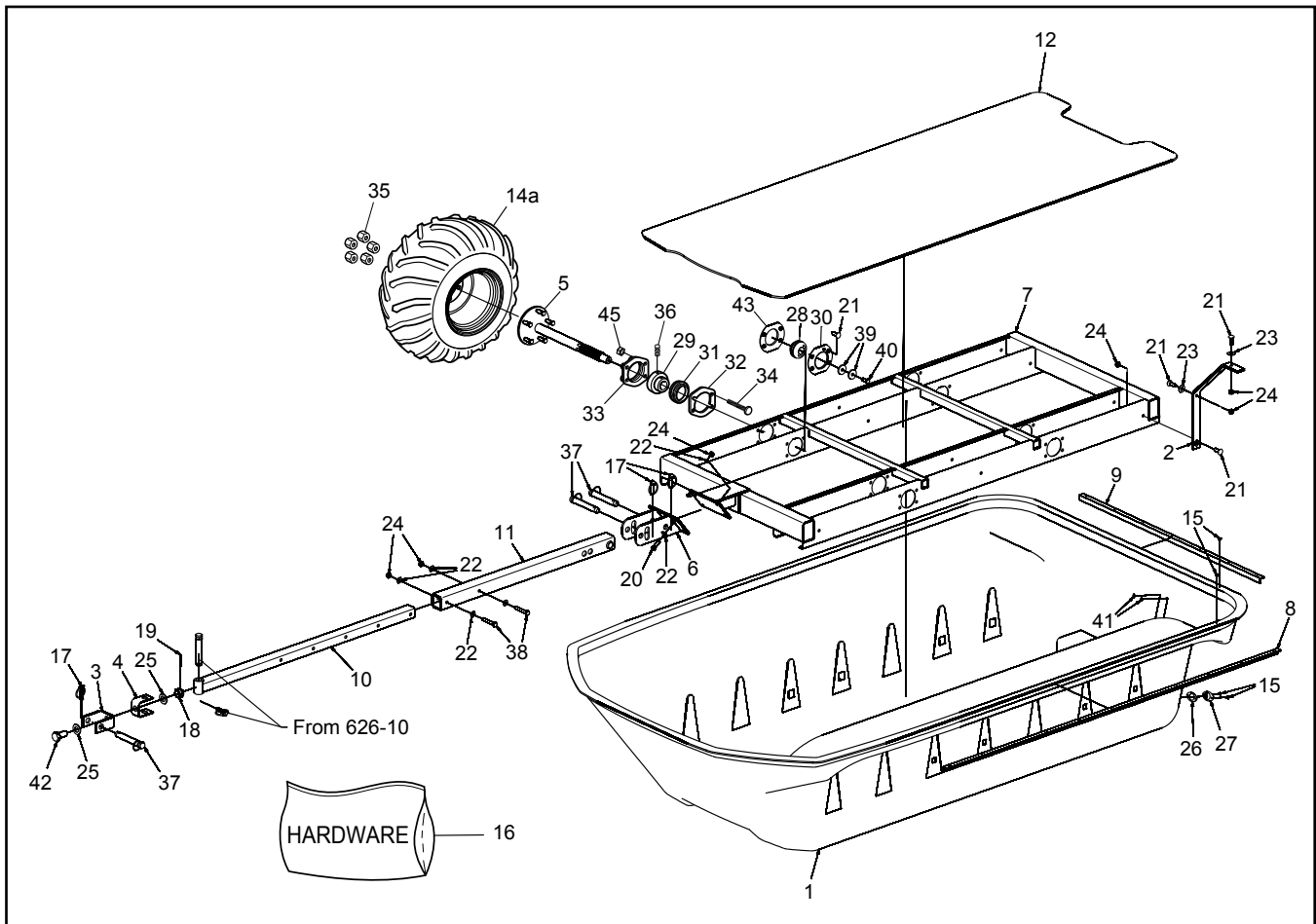
# 16.0 Accessories

# 8 Wheel Trailer

Ref.	Qty.	Part #	Description	Ref.	Qty.	Part #	Description
1	1	695-100	Frame Asm, 8 Wheel Trailer	48	8	103-03	PHMS 1/4-20x1.50 Zn
2	1	695-104	Frame, Upper Front - 8 Wheel Trailer	49	4	120-04	Washer .19x.50x.08 Zn
3	1	695-105	Frame, Upper Rear - 8 Wheel Trailer	<b>50</b>	<b>1</b>	<b>L15-HDW</b>	<b>8W Trailer Hardware includes:</b>
4	2	695-106	Frame Asm, Upper Mid - 8 Wheel Trailer	51	1	100-01	Pin, Cotter 1/8x1.50 Zn
5	4	695-109	Supt Asm, Inr Side - 8 Wheel Trailer	52	2	103-21	HHCS 1/2-20x1.5 Gr5 Zn
6	2	642-47	Tie Down Bracket	53	2	103-53	HHCS 3/8-16X3.0 Gr 5 Full Thd
7	4	810-113	Axle ASM - Mid HD	54	1	104-10	Pin + Ring Asm
8	2	657-17	Bracket, Snowplow Mtg - Avg	55	2	104-11	Pin, Lynch - Ring
9	1	127-273	Plate, Serial Blank Double	56	1	104-13	Pin, Top Link
10	8	101-41	Bearing, Ball - 1.0	57	4	108-15	Washer .42x.81x.05 Zn
11	8	101-95	Bearing, Ball -1.25 x 72mm	58	2	108-35	Washer .53x1.06x.09 Zn
12	4	606-25	Gasket, Bearing Extension	59	2	108-53	Washer .81x1.5x.12 Zn
13	16	606-88	Flange, Outer Bearing	60	2	117-29	Locknut, Nylon 3/8-16 Zn
14	16	606-89	Carrier, Axle Bearing	61	1	117-37	Nut, Hex Slotted 3/4-10 Zn
15	32	606-90	Gasket, Flange -72mm Brg	62	2	117-57	Locknut, Nyloc 1/2-20 Zn
16	8	606-91	Flange, 4-Hole Hd	63	2	657-54	Bushing
17	8	606-92	Flange, Greaseable - 4-Hole Hd	64	1	695-121	Bolt, Swivel 3/4-10 x 1.75
18	4	810-112	Extension Asy, Bearing W/ Nuts				
19	4	810-92	Axle, Asm - Front/Rear HD				
20	4	127-158L	Tire+Rim Asm, Argo-24, Left				
21	1	695-103	Body, 8 Wheel Trailer				
22	1	695-118	Panel, Floor - 8 Wheel Trailer				
23	1	695-119	Bracket, Tongue - Thck				
24	1	695-120	Bracket, Hitch - Thck				
25	4	127-158R	Tire+Rim Asm, Argo-24, Right				
26	1	695-114	Hitch Assy - 8W Trailer				
27	1	695-93	Tongue Asm				
<b>29</b>	<b>1</b>	<b>L15-FRM-HDW</b>	<b>8W Trailer Frame Hardware</b>				
31	16	103-68	HHCS 3/8-16x2.0 Gr5 Zn				
32	40	103-88	C/Bolt 3/8-16x1.0 Gr5 Zn				
33	24	108-06	Lockwasher 3/8 Split-Ring Zn				
35	20	108-34	Washer .47x.94x.06 Zn				
36	16	108-46	Washer .40x1.37x.12 Hi-Carbon				
37	20	112-181	HHCS 7/16-20x1.75 Gr5 Zn				
38	16	112-187	C/Bolt 3/8-16x2.0 Gr5 Zn				
39	8	112-31	HHCS 3/8-16x1.0 2B Gr8 Zn				
40	64	117-118	Locknut, Nylon 3/8-16 Flanged				
41	40	117-35	Nut, Wheel 7/16-20 Zn				
42	2	100-114	Gasket, Drain Plug				
43	2	100-107	Plug, Drain-Flanged				
44	4	120-13	Rivet - 3/16 X 3/4 Black				
45	50	112-102	Screw, Self Drill 12-14 x 3/4"				
46	16	108-08	Washer .28x.62x.07 Zn				
47	8	117-27	Locknut, Nylon 1/4-20 Zn				

# Amphibious Trailer

# 16.0 Accessories



Ref.	Qty.	Part #	Description	Ref.	Qty.	Part #	Description
1	1	603-99	Body, Lower - Frontier (Vin. # required)	21	34	103-88	C/Bolt 3/8-16x1.0 Gr5 Zn
2	6	695-16	Support, Body	22	24	108-15	Washer .42x.81x.05 Zn
3	1	695-64	Bracket, Hitch	23	12	108-35	Washer .53x1.06x.09 Zn
4	1	695-71	Bracket, Tongue	24	24	117-29	Locknut, Nylon 3/8-16 Zn
5	4	810-113	Axle Ass'y - Mid HD	25	2	108-53	Washer .81x1.5x.12 Zn
6	1	695-83	Hitch Ass'y, Trailer	26	2	100-114	Gasket, Drain Plug + # 100-107
7	1	695-88	Frame Ass'y, Trailer	27	2	100-107	Plug, Drain-Flanged + # 100-114
8	2	695-90	Bracket, Side	28	4	101-41	Bearing, Ball - 1.0 (48 per box)
9	1	695-91	Bracket, Rear	29	4	101-95	Bearing, Ball -1.25 x 72mm
10	1	695-93	Tongue, Ass'y	30	4	606-92	Flange, Greaseable - 4 Hole HD
11	1	695-96	Tube Ass'y, Hitch	31	4	606-89	Carrier, Axle Bearing
12	1	695-67	Floor Pan, Trailer	32	4	606-90	Gasket, Flange - 72mm Brg
13a	2	127-182L	Tire, Argo 25 & Rim LH Ass'y	33	4	606-88	Flange Ass'y, Outer Bearing
13b	2	127-158L	Tire+Rim Ass'y, Argo-24, Left	34	16	103-68	HHCS 3/8-16x2.0 Gr5 Zn
13c	2	127-181L	Tire+Rim Ass'y, Argo-24, Right	35	20	117-35	Nut, Wheel 7/16-20 Zn
14a	2	127-182R	Tire, Argo 25 & Rim RH Ass'y	36	8	112-200	SHSS 5/16-24x5/16 Flat PT
14b	2	127-158R	Tire+Rim Ass'y, Argo-24, Right	37	3	104-10	Pin, Toplink - 3/4x3.875
14c	2	127-180R	Tire+Rim Ass'y, Heat, Right	38	2	103-53	HHCS 3/8-16x3.0 Gr5 Zn
15	33	120-13	Rivet - 3/16 x 3/4 Black	39	8	108-46	Washer .40x1.37x.12 Hi-Carbon
16	1	V-Trailer-11HDW	<b>Hardware, Trailer Kit</b>	40	4	112-31	HHCS 3/8-16x1.0 2B Gr8 Zn
17	3	104-11	Pin, Lynch - Ring	41	4	120-04	Washer .19x.50x.08 Zn
18	1	17-37	Nut, Hex Slotted 3/4-10 Zn	42	1	695-34	Bolt, Swivel
19	1	100-01	Pin, Cotter 1/8x1.50 Zn	43	4	606-91	Flange, 4 Hole HD
20	4	103-82	HHCS 3/8-16x1.25 Gr5 Zn	44	4	120-09	Rivet - 3/16 x 1.0 Black
				45	32	117-118	Locknut, Nylon 3/8-16 Flanged



# **ARGO** Products Manufactured by:

## **Ontario Drive & Gear Limited**

220 Bergey Court

New Hamburg, Ontario

Canada N3A 2J5

Phone: (519) 662-2840

Fax: (519) 662-2421

[www.argoxtv.com](http://www.argoxtv.com)

**ODG** *Dedicated to quality and performance*