

Conquest



Argo 8x8

**2018
ACCESSORIES MANUAL**

***8x8 Outfitter
Conquest XT
Conquest XT-Diesel
Conquest XT-X
Conquest XT-L
Conquest XT-T***

Foreword

ODG has prepared this accessories manual for the Conquest models to assist Argo retailers, qualified mechanics and vehicle owners in selecting the correct quality replacement parts for Argo accessories or for choosing new accessories. For the most current accessories manual visit our website at www.argoxtv.com.

Proper and regular service, and replacing old, worn or broken parts with the correct ARGO replacement parts, are both essential to prolonging the life of the ARGO. Please refer to this accessories manual and/or the accompanying parts manual at our website www.argoxtv.com before ordering any replacement part.

All information contained in this Conquest Accessories Manual is based on the latest product specification available at time of printing. If your Conquest differs from the specifications contained in this manual, check our website www.argoxtv.com for the most current information.

ODG reserves the right to alter specifications on the Conquest models at any time, without obligation or prior notification.

Reproduction of this Conquest Accessories Manual, in whole or in part, is prohibited without prior written permission from Ontario Drive & Gear Limited.

Vehicle Identification

Conquest - 2018 Serial Nos. beginning at ...40938 (last 5 digits of V.I.N.)

Explanation of Manual Format

Ref - Reference number between assembly diagram and component parts list

Part No. - Argo replacement part number for identification and re-ordering

Description - Part description for identification and re-ordering

Qty - Indicates the quantity of a part used in an assembly

Conquest



Using the Accessories Manual

1. Find the major vehicle assembly in the INDEX page, and go to that section.
2. Locate the part in the illustration that you wish to order.
3. Refer to the parts list in that section.
4. Find the correct part number (Part No.), part description (Description) and correct quantity (Qty).
5. Use *only* this information to order ARGO replacement parts. **DO NOT** attempt to order a replacement part by reference number or page number.

Table of Contents

Foreword	i
Vehicle Identification.....	i
Using the Accessories Manual	ii
Conquest Vehicle Accessory Matrix.....	iii
INDEX.....	iv
Accessories.....	Pages 7 - 52

Conquest Acc. Manual

Conquest Vehicle Accessory Matrix

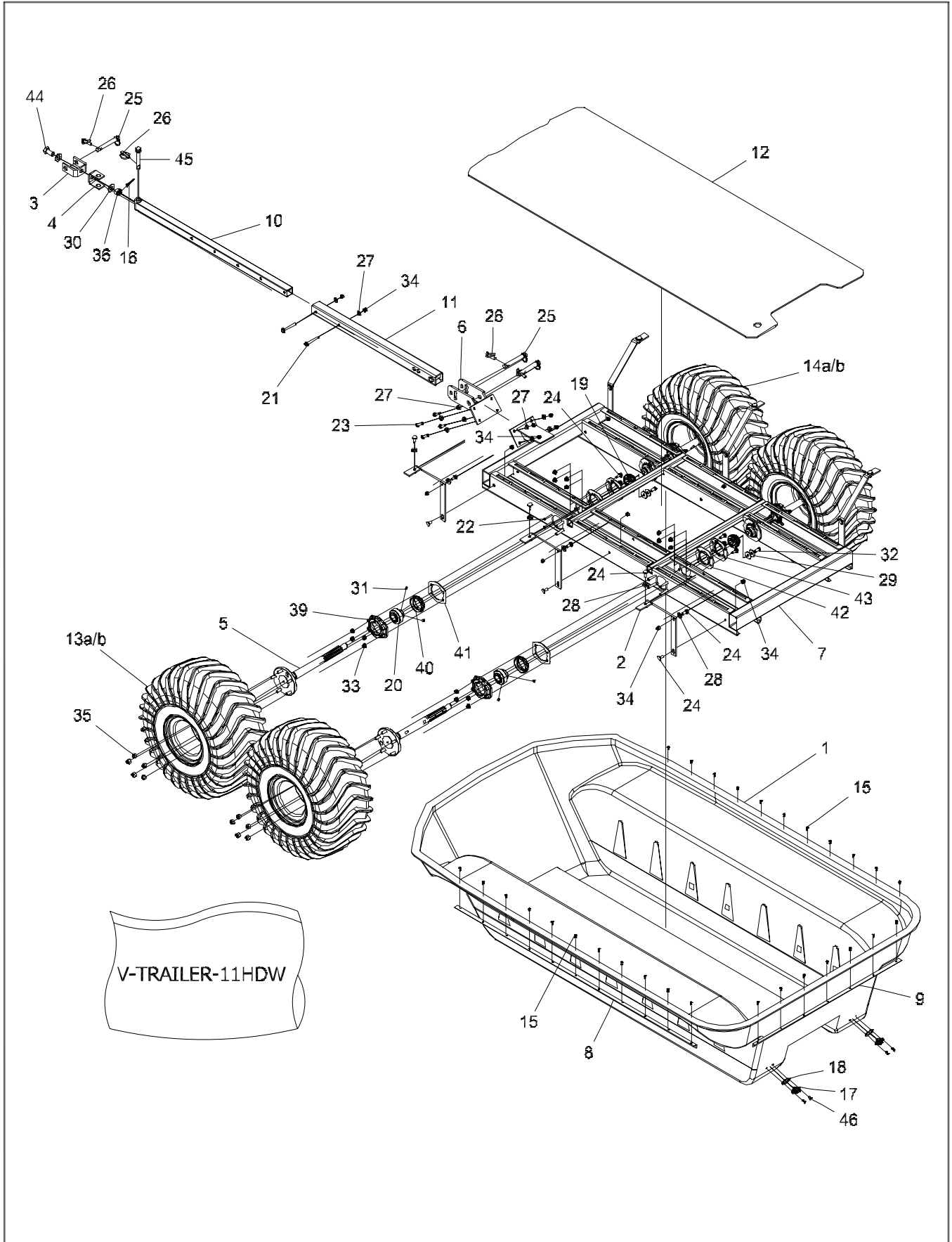
Old Model	XTi	XTd	Outfitter XTi	Explorer XTi	Lineman XTi	XTi
Model	Conquest 8X8 XT	Conquest 8X8 XT - Diesel	Conquest 8x8 Outfitter	Conquest 8X8 XT-X	Conquest 8X8 XT-L	Conquest 8X8 XT-T
Accessory						
Alternator	Yes	Yes	Yes	Yes	Yes	Yes
Bilge Pump	Yes	Yes	Yes	Yes	Yes	Yes
Brushguard	Yes	Yes	Yes	Yes	Yes	Yes
Build Package			Outfitter		XT-L	
Capstan						
Chain Lubrication	Yes	Yes	Yes	Yes	Yes	Yes
HD Drive Belt	Yes	Yes	Yes	Yes	Yes	Yes
Dump Box				Yes		
Engine	30 HP	24 HP Diesel	30 HP	30 HP	30 HP	30 HP
Entry Step			Rear			
Front Cargo Racks						
Gun Rack						
Headlights	Standard	Standard	LED Hi & Low	Standard	LED-Golight	Standard
Heater						
Mesh				Yes	Yes	
Rear Rack w/Toolbox (Tote)					Yes	
Recevier Winch						
Roof - Hard Top				Yes	Yes	
ROPS				2-Person	2-Person	
Seats	Standard	Standard	Deluxe	Standard	Standard	Standard
Skid Plate	Yes	Yes	Yes	Yes	Yes	Yes
Spot Light						
Stretcher					Yes	
Strobe Light						
Tires	25 Offset Stl Rim	25 Offset Stl Rim	25 Offset Stl Rim	25 Offset Stl Rim	25 Offset Stl Rim	24 HD Turf Tires
Transmission	Std Admiral	Std Admiral	Std Admiral	Std Admiral	Std Admiral	Std Admiral
Vice					Yes	
Winch - Front	Yes	Yes	Yes	Yes	Yes	Yes
Windshield				Yes	Yes	
Wiper Kit				Yes	Yes	

- 4 Wheel Amphibious Trailer
- 8 Wheel Amphibious Trailer
- 622-135 Rear Receiver Winch Bracket
- 622-145 Winch
- 835-300 XT Dump Box
- 850-99 Back-up Alarm
- 850-228 Auto Lube System
- 956-15 (2) Person ROPS
- 956-16 (4) Person ROPS
- 958-71 Bilge Pump Assembly
- 958-75 Rear Tire Carrier
- 958-80 Fuel Carrier
- 958-85 Track Extension Kit - HD
- 958-88 HD Track Assembly
- 958-89 Hood Fan
- 958-90 Windshield
- 958-93 Cat Walk Mudflap
- 958-95 XT Light Bar
- 958-99 Intake Debris Screen
- 958-102 Front Hard Roof
- 958-104 Rear Hard Roof
- 958-110 Two Person Canvas Enclosure
- 958-112 XT Flat Bed
- 958-115 Four Person Canvas Enclosure
- 958-129 Heater Kit - XTI
- 958-130 Windshield Wiper/Washer
- 958-147 Brake/Tail Lights
- 958-156 Heater Assembly-XT Diesel
- 958-157 Brake Cooling Accessory
- 958-165 Brushguard XT
- 958-168 XT Utility Box
- 958-171 Convertible Top - 4 Person
- 958-172 Convertible Top Conversion
- 958-191 Convertible Top - 2 Person
- 958-192 Folding Windshield
- 958-200 Emergency Shut Off
- 958-205 Two Person Canvas Enclosure
- 958-216 Four Person Enclosure
- 958-222 Hood Rack
- 958-235 Gun Rack
- 958-305 Convertible Top, Brn-Outfitter
- 958-338 Convertible Top, Blk-Outfitter
- 959-01 Universal Mount

This page left intentionally blank

4 Wheel Amphibious Trailer

Conquest Acc. Manual

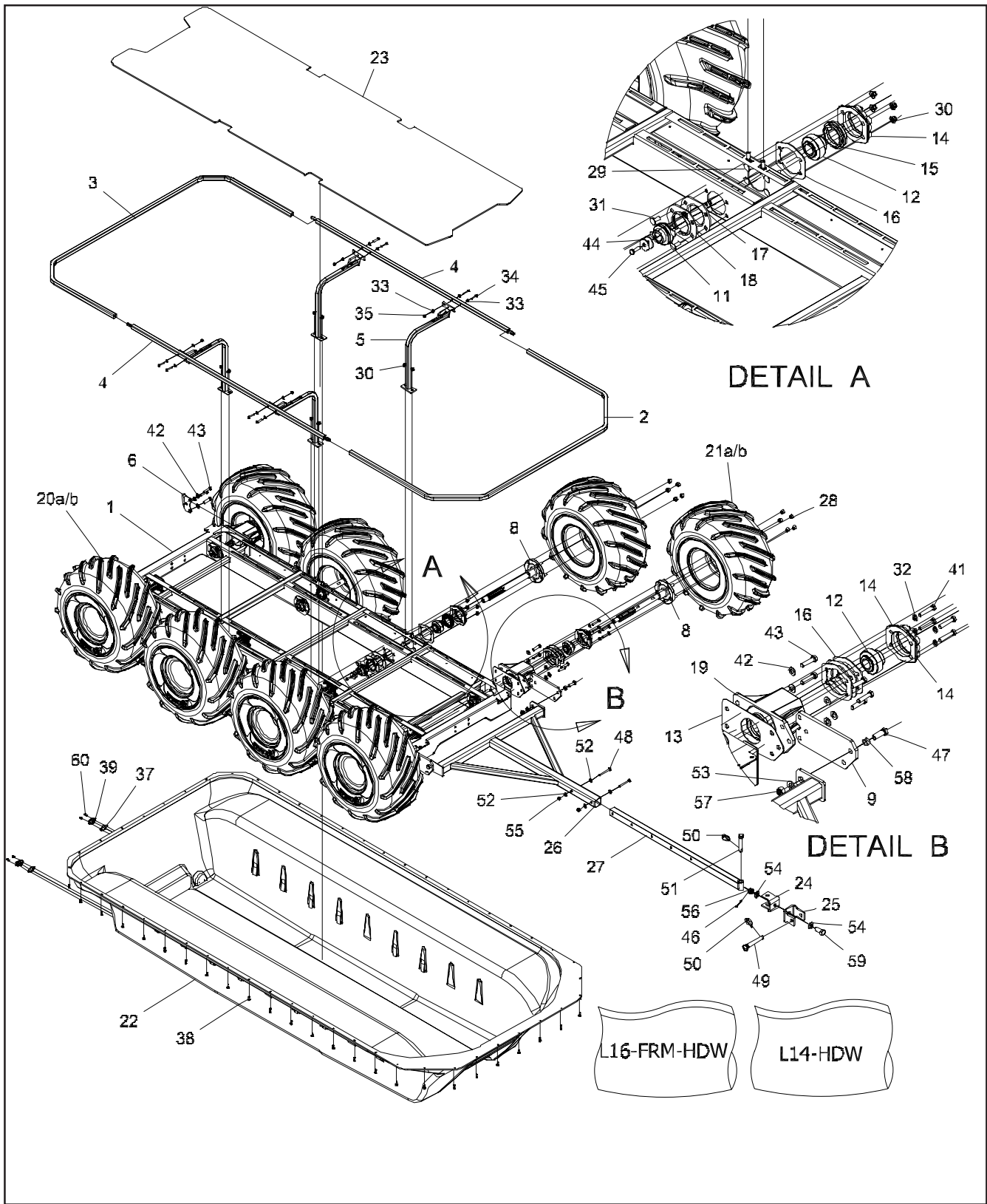


Conquest Acc. Manual

4 Wheel Amphibious Trailer

Ref.	Qty.	Part #	Description
1	1	603-99	BODY, LOWER - FRONTIER
2	6	695-16	SUPPORT, BODY
3	1	695-64	BRACKET, HITCH
4	1	695-71	BRACKET, TONGUE
5	4	810-129	AXLE ASM, 1.25 DIA - 6 TOOTH SPLINE
6	1	695-83	HITCH ASM, TRAILER
7	1	695-88	FRAME ASM, TRAILER
8	2	695-90	BRACKET, SIDE
9	1	695-91	BRACKET, REAR
10	1	695-93	TONGUE ASM
11	1	695-96	TUBE ASM, HITCH
12	1	695-67	FLOOR PAN, TRAILER
13a	2	127-182L	TIRE, ARGO 25 & RIM LH ASSY
13b	2	127-181L	TIRE+RIM ASSY, HEAT, LEFT-AT190
14a	2	127-182R	TIRE, ARGO 25 & RIM RH ASSY
14b	2	127-180R	TIRE+RIM ASSY, HEAT, RIGHT-AT190
15	29	120-13	RIVET - 3/16 x 3/4 BLACK
	1	V-TRAILER-11HDW	HARDWARE, TRAILER KIT
16	1	100-01	PIN, COTTER 1/8x1.50
17	2	100-107	PLUG, DRAIN-FLANGED
18	2	100-114	GASKET, DRAIN PLUG
19	4	101-41	BEARING, BALL- 1.0
20	4	101-95	BEARING, BALL -1.25 x 72mm
21	2	103-53	HHCS 3/8-16x3.0 GR 5 FULL THD
22	16	103-68	HHCS 3/8-16x2.0 GR5
23	4	103-82	HHCS 3/8-16x1.5 GR5
24	34	103-88	C/BOLT 3/8-16x1.0 GR5
25	3	104-10	PIN, TOPLINK - 3/4 x 3.75
26	4	104-11	PIN, LYNCH - RING
27	12	108-15	WASHER .42x.81x.05
28	12	108-35	WASHER .53x1.06x.09
29	8	108-46	WASHER .40x1.37x.12 HI-CARBON
30	2	108-53	WASHER .81x1.5x.12
31	8	112-200	SHSS 5/16-24x5/16 FLAT PT
32	4	112-31	HHCS 3/8-16x1.0 2B GR8
33	32	117-118	LOCKNUT, NYLON 3/8-16, FLANGED
34	24	117-29	LOCKNUT, NYLON 3/8-16 ZINC
35	20	117-35	NUT, WHEEL 7/16-20 ZINC
36	1	117-37	NUT, HEX SLOTTED 3/4-10 ZINC
37	4	120-04	WASHER .19x.50x.08
38	4	120-09	RIVET - 3/16 x 1.0 BLACK
39	4	606-88	FLANGE ASY, OUTER BEARING
40	4	606-89	CARRIER, AXLE BEARING
41	4	606-90	GASKET, FLANGE -72 mm BRG
42	4	606-91	FLANGE, 4-HOLE HD
43	4	606-92	Flange Greasable-4-Hole HD

Ref.	Qty.	Part #	Description
44	1	695-34	BOLT, SWIVEL
45	1	104-13	PIN, TOP LINK
46	4	10081A001	RIVET, 3/16 x 0.376 - 0.500 AL

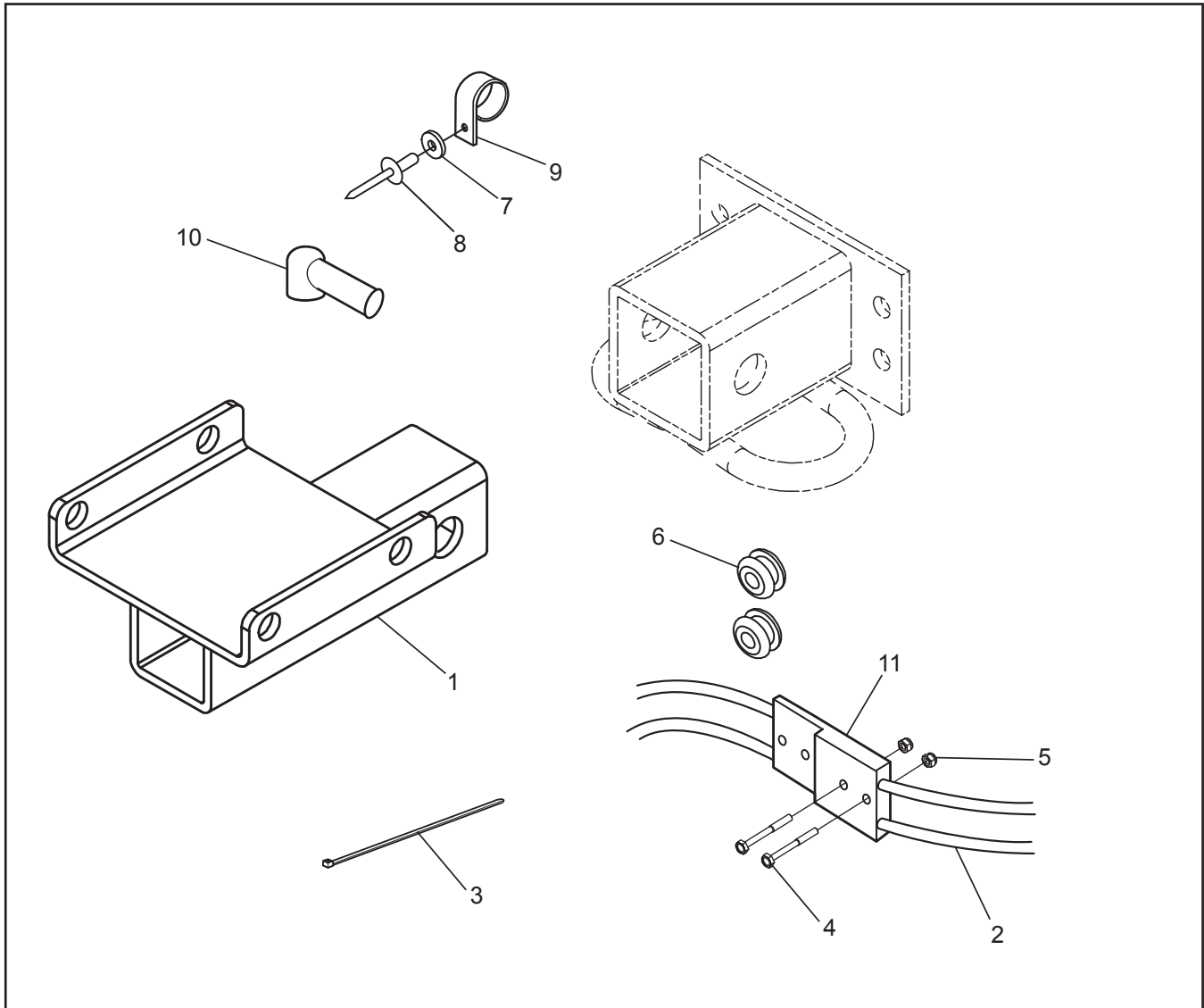


Conquest Acc. Manual

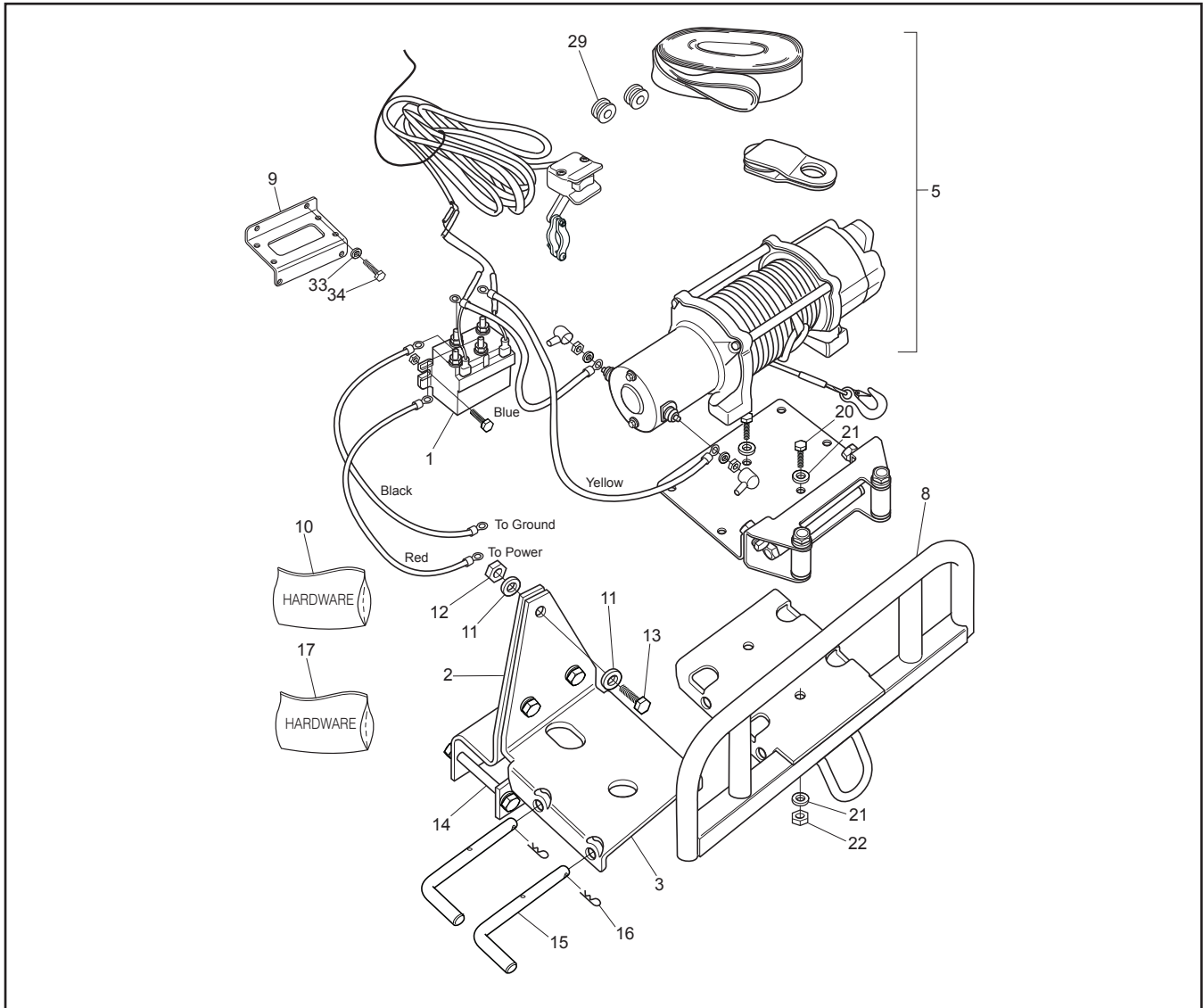
8 Wheel Amphibious Trailer

Ref.	Qty.	Part #	Description
1	1	695-100	Frame Asm, 8 Wheel Trailer
1	1	695-100	FRAME ASM, 8 WHEEL TRAILER
2	1	695-104	FRAME, UPPER FRONT - 8W TRLR
3	1	695-105	FRAME, UPPER REAR - 8W TRLR
4	2	695-106	FRAME ASM, UPPER MID - 8W TRLR
5	4	695-109	SUPT ASM, INR SIDE - 8W TRLR
6	2	642-47	TIE DOWN BRACKET
8	8	810-129	AXLE ASM, 1.25 DIA - 6 TOOTH SPLINE
9	2	657-17	BRACKET, SNOWPLOW MTG - AVG
10	1	127-273	PLATE, SERIAL BLANK DOUBLE
11	8	101-41	BEARING, BALL- 1.0
12	8	101-95	BEARING, BALL -1.25 x 72mm
13	4	606-25	GASKET, BEARING EXTENSION
14	8	606-88	FLANGE ASY, OUTER BEARING
15	8	606-89	CARRIER, AXLE BEARING
16	16	606-90	GASKET, FLANGE -72 mm BRG
17	8	606-91	FLANGE, 4-HOLE HD
18	8	606-92	FLANGE, GREASEABLE - 4-HOLE HD
19	4	810-112	EXTENSION ASY, BEARING W/ NUTS
20a	4	127-180R	TIRE & RIM ASM - RIGHT
20b	4	127-182R	TIRE, ARGO 25 & RIM RH ASSY
21a	4	127-182L	TIRE, ARGO 25 & RIM LH ASSY
21b	4	127-181L	TIRE & RIM ASM - LEFT
22	1	695-103	BODY, 8 WHEEL TRAILER
23	1	695-118	PANEL, FLOOR - 8W TRLR
24	1	695-119	BRACKET, TONGUE - THCK RM
25	1	695-120	BRACKET, HITCH - THCK RM
26	1	695-114	HITCH ASSY - 8W TRAILER
27	1	695-93	TONGUE ASM
	1	L16-FRM-HDW	8W TRAILER FRAME HDW
28	40	117-35	NUT, WHEEL 7/16-20 ZINC
29	16	112-187	C/BOLT 3/8-16x2.0 GR5 ZINC
30	56	117-118	LOCKNUT, NYLON 3/8-16, FLANGED
31	40	103-88	C/BOLT 3/8-16x1.0 GR5 ZINC
32	16	108-06	LOCKWASHER 3/8 SPLIT-RING
33	16	108-08	WASHER .28x.62x.07 ZINC
34	8	103-03	PHMS 1/4-20x1.50 ZINC
35	8	117-27	LOCKNUT, NYLON 1/4-20 ZINC
36	4	120-04	WASHER .19x.50x.08 ZINC
37	2	100-114	GASKET, DRAIN PLUG
38	50	112-102	SCREW, SELF DRILL 12-14 x 3/4"
39	2	100-107	PLUG, DRAIN-FLANGED
41	16	103-68	HHCS 3/8-16x2.0 GR5 ZINC
42	20	108-34	WASHER .47x.94x.06 ZINC
43	20	112-181	HHCS 7/16-20x1.75 GR5 ZN
44	16	108-46	WASHER .40x1.37x.12 Hi-Carbon
45	8	112-31	HHCS 3/8-16x1.0 2B GR8 ZINC

Ref.	Qty.	Part #	Description
	1	L14-HDW	8W TRAILER HARDWARE
46	1	100-01	PIN, COTTER 1/8x1.50
47	2	103-21	HHCS 1/2-20x1.5 GR5
		ZINC	
48	2	103-53	HHCS 3/8-16x3.0 GR 5 FULL THD
49	1	104-10	PIN + RING ASM
50	2	104-11	PIN, LYNCH - RING
51	1	104-13	PIN, TOP LINK
52	4	108-15	WASHER .42x.81x.05
53	2	108-35	WASHER .53x1.06x.09
54	2	108-53	WASHER .81x1.5x.12
55	2	117-29	LOCKNUT, NYLON 3/8-16 ZINC
56	1	117-37	NUT, HEX SLOTTED 3/4-10
57	2	117-57	LOCKNUT, NYLOC 1/2-20
58	2	657-54	BUSHING
59	1	695-121	BOLT, SWIVEL 3/4-10x1.75
60	4	10081A001	RIVET, 3/16 x 0.376-0.50 AL

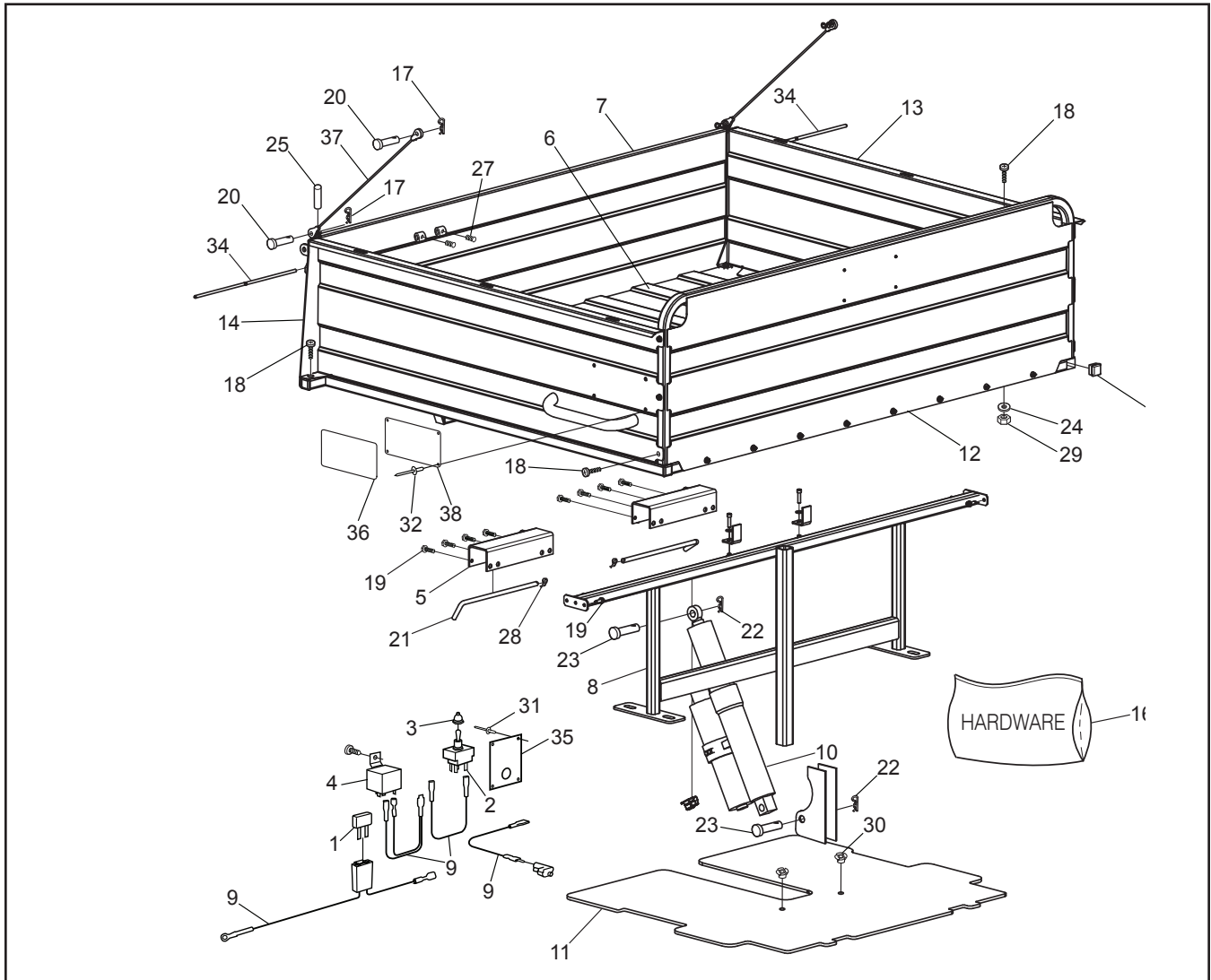


Ref.	Qty.	Part #	Description
1	1	622-134	Receiver, Rear Winch
2	1	622-116	Wire Harness, Receiver Winch
3	2	100-64	Tie Wrap - 5.5" - Black
4	2	112-126	HHCS M3x0,5 x 30 Cl 8.8 Zn
5	2	117-78	Locknut, Nylon M3 x 0.5" Zn
6	2	125-84	Grommet, Rubber
7	4	120-04	Washer .19X.50x.08 Zn
8	4	120-09	Rivet - 3/16 x 1.0 Black
9	4	127-287	Clamp, Nylon Wire - 3/4" ID
10	2	613-46	Terminal, Insulator
11	1	118-72	Connector Housing, Anderson



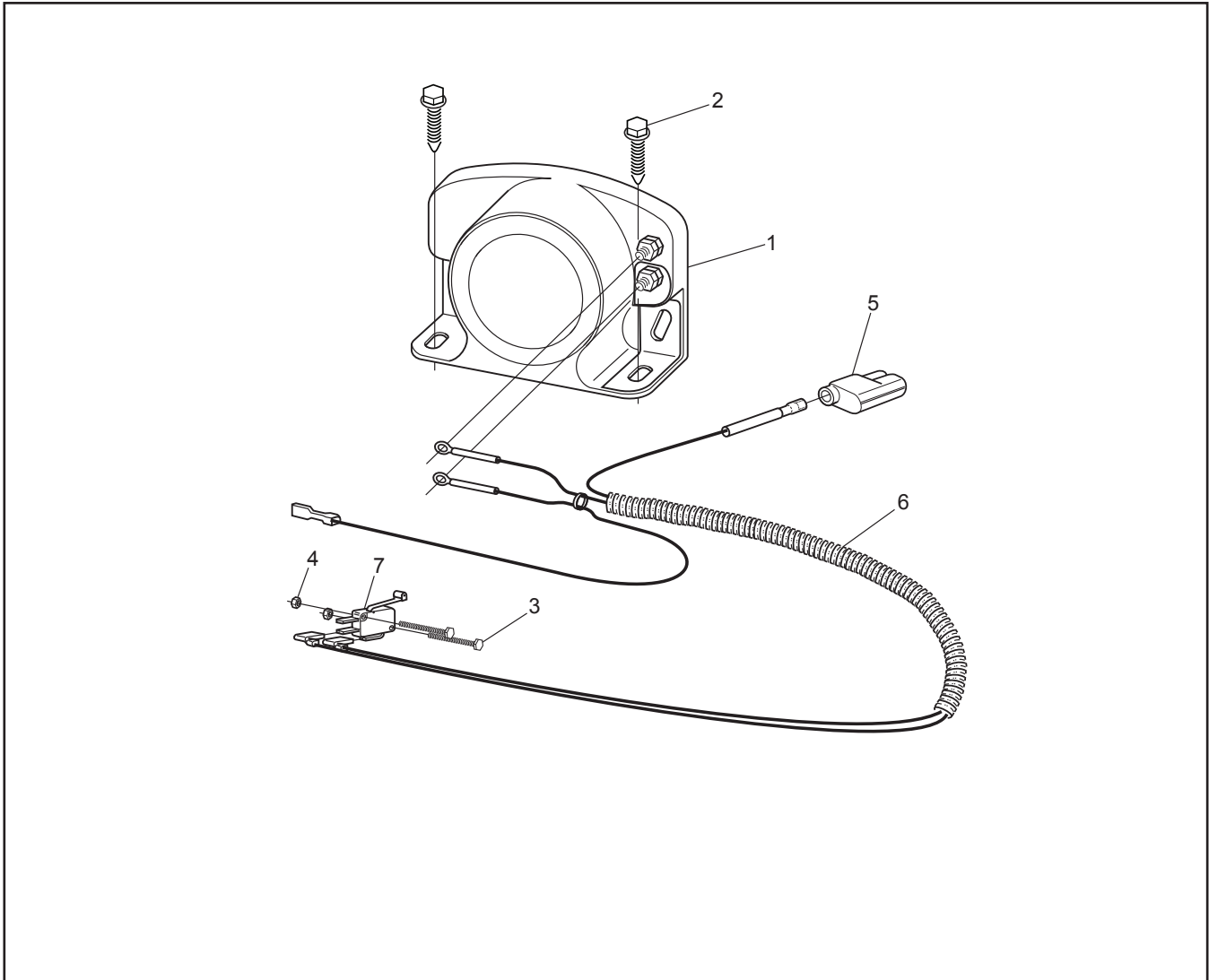
Ref.	Qty.	Part #	Description
1	1	622-141	Solenoid, Winch, Warn
2	1	950-03	ASM, FR INR Winch Supt - XT
3	1	950-04	ASM, FR OTR Winch Supt - XT
5	1	622-140	Winch, Pro Vantage 4500, Warn
8	1	622-130	Winch Mount W/Guard
9	1	953-08	Mount, Engine ECU
10	1	622-131HDW	Hardware Kit Comprised of:
11	10	108-15	Washer .42x.81x.05 Zn
12	5	117-60	Locknut, Nylon 3/8-16 Zn
13	3	112-133	HHCS M10x1,5x35mm Zn
14	2	112-120	HHCS M10x1,5x80mm Zn
15	2	622-85	Release Pin, Receiver Winch
16	2	100-16	Clip, Hitch Pin 1.625 Zn
17	1	622-145HDW	Hardware Kit Comprised of:
18	3	120-09	Rivet - 3/16 x 1.0 Black
19	2	120-04	Washer .19 x .50 x .08 Zn

Ref.	Qty.	Part #	Description
20	2	103-34	HHCS 3/8-16 x 1.25 Gr5 Zn
21	4	108-47	Washer .39 x .94 x .13 Zn
22	2	117-29	Locknut, Nylon 3/8-16 Zn
23	4	100-64	Tie Wrap - 5.5" Black
24	2	112-126	HHCS M3 x 0,5 x 30 CL 8.8 Zn
25	2	117-78	Locknut, Nylon M3 x 0.5" Zn
26	1	118-02	Terminal, Male - #76-1251
27	1	118-04	Connector, T-Tap 14-18 AWG
28	1	118-32	Terminal, 1/4" Male 22-18 AWG
29	2	125-84	Grommet, Rubber
30	1	118-74	Terminal, 5/16" Ring, 6GA
33	2	108-03	Lockwasher 1/4 Split Ring Zn
34	2	112-118	HHCS M6x1,0x15mm
35	2	810-107	Connector, Two Wire - 6 Gauge

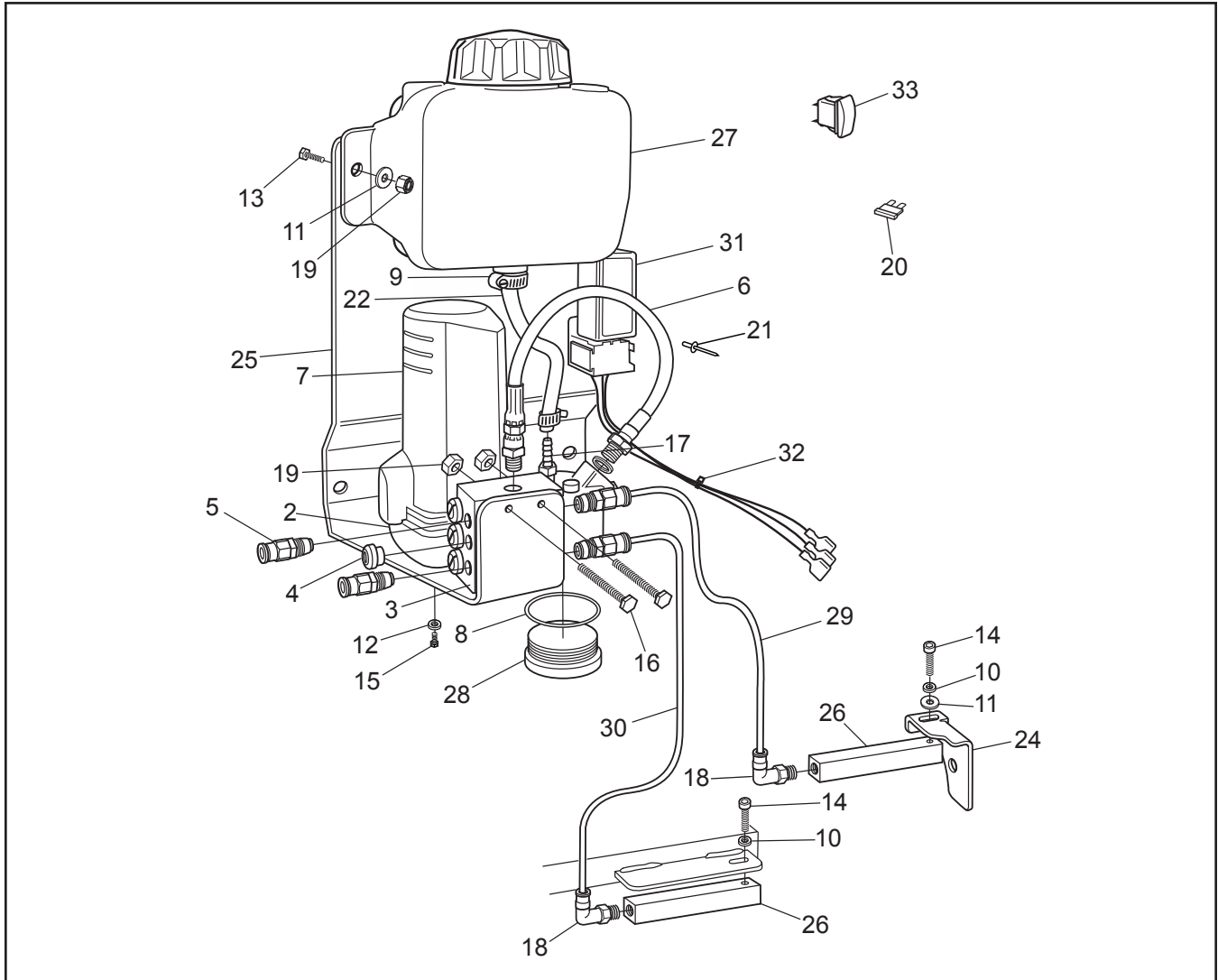


Ref.	Qty.	Part #	Description
1	1	613-83	Breaker, Circuit - 25 Amp
2	1	613-84	Switch, Toggle - 25 Amp-Reversing
3	1	613-85	Seal, Toggle Switch
4	1	613-86	Relay, 40 Amp
5	2	835-160	Hinge, Support Brkt -Cent Dump
6	1	835-301	Dumpbox, Box Asm - XT/Cent
7	1	835-302	Dumpbox, Gate Asm - XT/Cent
8	1	835-303	Dumpbox, Support Asm - XT/Cent
9	1	835-304	Wire Harness Kit, Dumpbox
10	1	835-305	Actuator, 14" Stroke - KYB
11	1	835-306	Floorpan, Flexible - XT/Cent
12	1	835-307	Panel, Front - D-Box XT
13	1	835-308	Panel, Left Side - D-Box XT
14	1	835-309	Panel, Welded Asm - RH Dump
16	1	835-300HDW	Hardware, Dumpbox - CT/XT consisting of the following:
17	4	100-16	Clip, Hitch Pin 1.625 Zn
18	14	103-31	PHMS 1/4-20X5/8 Grade 5 Zn
19	30	103-72	Screw, IHWH T/C Slot 1/4-20x3/4

Ref.	Qty.	Part #	Description
20	4	104-25	Pin, Clevis 3/8x3/4 Zn
21	2	104-32	Pin, Pull
22	2	104-68	Hairpin, Cotter 1/2-3/4 Dia
23	2	104-79	Pin, Clevis 5/8x1.75
24	16	108-08	Washer .28x.62x.07 Zn
25	2	111-09	Pin, Spring 5/32x.75 - Slotted
26	2	112-47	SHCS 1/4-20x1.0 Zn
27	4	112-68	SHSS 1/4-20x1/4 Knurl Pt. Zn
28	2	113-10	Ring, Cotter 3/8" Shaft
29	13	117-27	Locknut, Nylon 1/4-20 Zn
30	2	117-44	T-Nut 1/4-20 Zn
31	4	120-24	Rivet, Alum - 3/32 x 3/8 Black
32	12	120-25	Rivet - 1/8 x 5/16
33	4	127-282	Plug, 1" Sq Tube
34	2	615-02	Pin, Track - Chamfered+Ground
35	1	835-03	Label, Switch - Dumpbox
36	3	835-102	Label, Warning - Centuar Dumpbox
37	2	835-122	Cable, Dumpbox Tailgate-Cent
38	3	835-166	Mount, Cent Dump Label

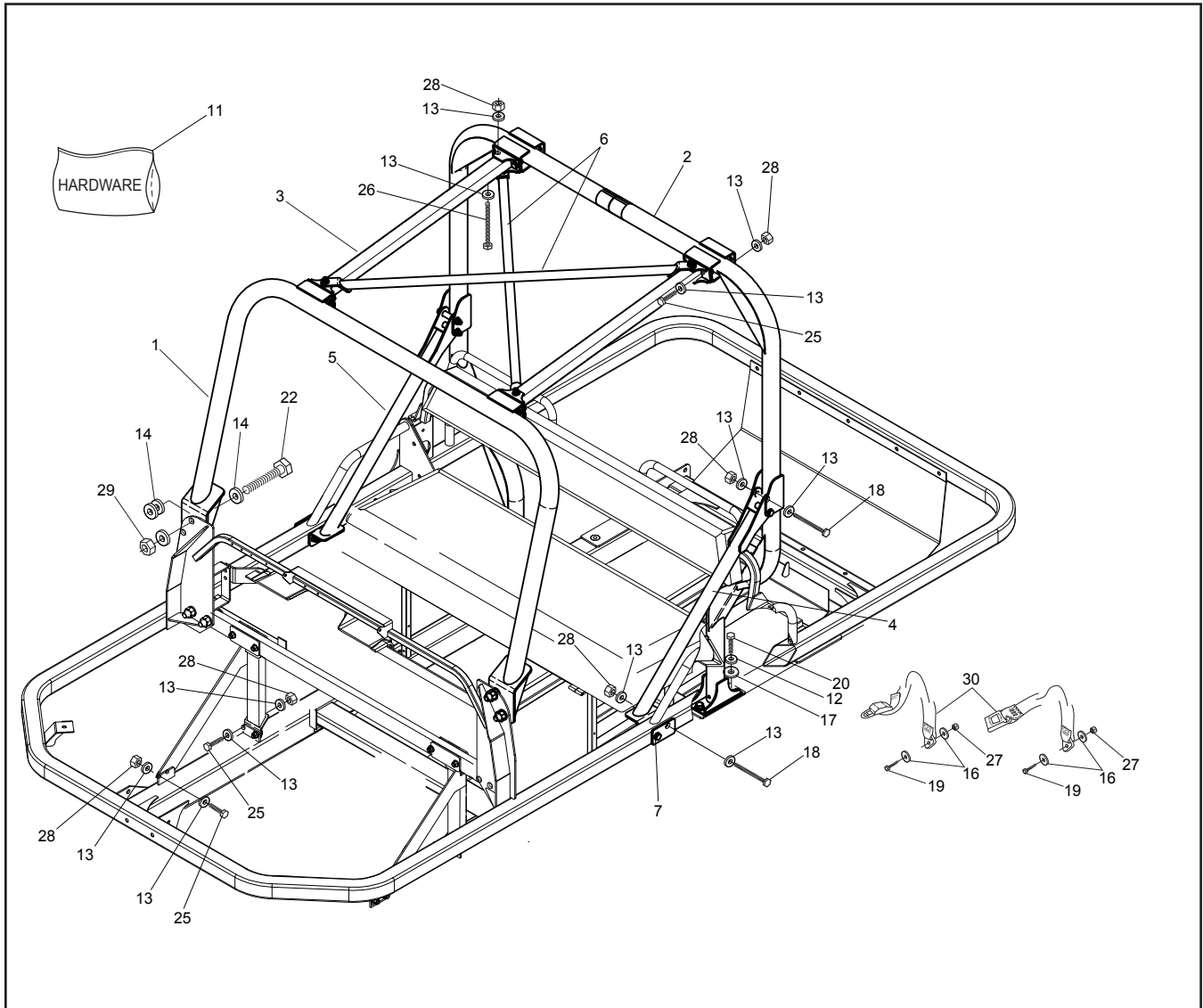


Ref.	Qty.	Part #	Description
1	1	848-126	Alarm, Back-up
2	2	112-102	Screw, Self-Drill 12-14 x 3/4"
3	2	112-126	HHCS M3x0,5x30 CL 8.8 Zn
4	2	117-78	Locknut, Nylon M3x 0.5" Zn
5	1	118-04	Connector, T-Tap 14-18 Awg
6	1	613-113	Wire Harness, Back-up Alarm
7	1	809-202	Switch, Limit - Two Pole

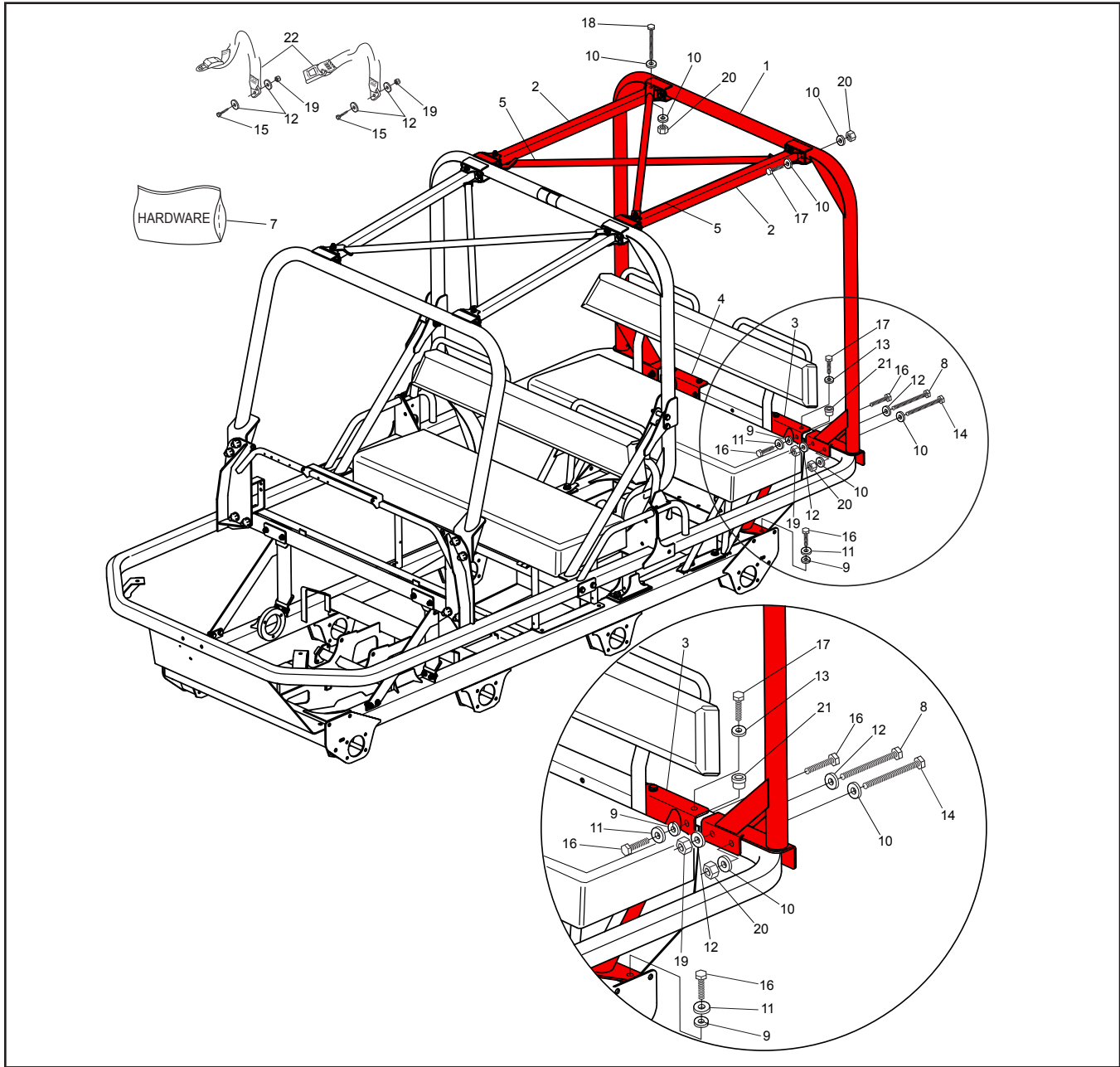


Ref.	Qty.	Part #	Description
1	1	850-214	Kit, Chain Oiler Purch Comp.
2	1	850-201	Pump, Oil System Lincoln 12V
3	1	850-202	Valve, Oil System Diverter
4	2	850-203	Plug, Valve Diverter
5	4	850-204	Adapter, Outlet 1/4" W/CHK
6	1	850-205	Hose, Oil Pump Outlet 12"
7	1	850-210	Cover, Oil Pump Motor
8	1	850-211	Seal, Oil Pump Cap
9	2	100-101	Clamp, Gear 1/2" HF4 or MH-4
10	4	108-03	Lockwasher 1/4 Split Ring Zn
11	4	108-08	Washer .28 x .62 x .07 Zn
12	4	108-100	Lockwasher, #10 Split-Ring Zn
13	2	112-04	HHCS 1/4-20 x 3/4 Gr5 Zn
14	4	112-47	SHCS 1/4-20 x 1.0 Zn
15	4	112-95	HHCS M5 x 0,8 x 10mm Zn
16	2	112-202	HHCS 1/4-20 x 1.75 Gr5 Zn
17	1	113-20	Fitting, 1/8 Npt x 1/4 Barb
18	4	113-21	Fitting, 1/8 x 90 Male Push Conn.
19	4	117-27	Locknut, Nylon 1/4-20 Zn
20	1	118-52	Fuse, 10A 2-Prong (ATC010)
21	1	120-13	Rivet - 3/16 x 3/4 Black

Ref.	Qty.	Part #	Description
22	1	127-160-7	Hose, 1/4 ID x 3/8 OD - 7" Long
23	1	850-197	Bracket, Oil Applicator Front LH XT (not shown)
24	1	850-222	Bracket, Oil Applicator Front RH XT
25	1	850-226	Bracket, Oil System Pump Res. XT
26	4	850-198	Tube, Oiler XT
27	1	850-196	Reservoir 1 Qt.
28	1	850-200	Plug, Oil Pump Threaded
29	2	850-206-5	Tubing, 1/4 OD Oil - 5 ft.
30	2	850-206-9	Tubing, 1/4 OD Oil - 9 ft.
31	1	850-207	Timer, Oil System
32	1	850-220	Harness, Oil System XT
33	1	850-209	Switch, Oil System Momentary
34	1	850-221	Harness, Oil System Pump (not shown)
35	0.875	613-207RM	Loom, Nylon .25 ID
36	1	850-244	Wire Harness, Timer Interrupt
37	2	112-02	SHSS 10-24 x 1/4 Knurl, Bare

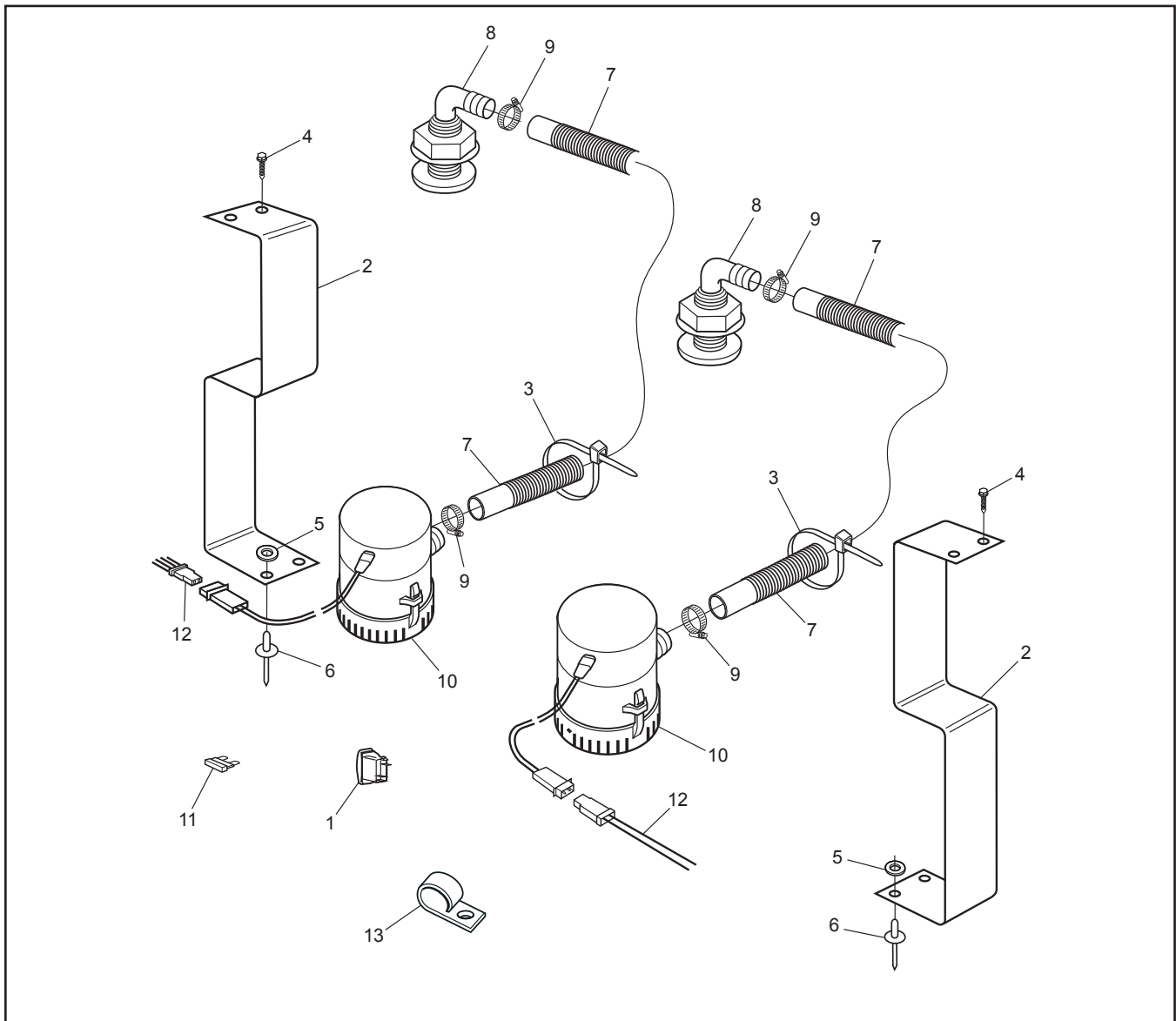


Ref.	Qty.	Part #	Description	Ref.	Qty.	Part #	Description
1	1	956-01	ROPS Hoop, Fwd, XT	18	8	112-120	HHCS M10x1,5x80mm Zn
2	1	956-02	ROPS Hoop, Mid, XT	19	3	112-229	HHCS 7/16-20x1.25" Lg Gr5
3	2	956-07	Brace, Fwd ROPS	20	4	112-189	HHCS 1/2-13x1.25 Gr5 Zn
4	1	956-09	Strut, ROPS Side, LH	22	4	112-208	HHCS, M16x2x50mm
5	1	956-10	Strut, ROPS Side, RH	23	4	112-210	HHCS, 7/16-20 x 0.75
6	2	956-11	Crossbrace, ROPS, Top	25	8	112-93	HHCS M10x1,5x25mm
7	2	957-41	Plate, ROPS Brace, Mount	26	4	112-94	HHCS, M10 x 1, 5 x 70mm Zn
11	1	956-15HDW	Hardware, 2-Person ROPS, XT	27	3	117-32	Locknut, Nylon 7/16-20 Zn
12	4	108-107	Lockwasher 1/2" High Alloy	28	20	117-60	Locknut, Nyloc M10x1.5mm Zn
13	40	108-101	Washer, 10mm, DIN125A	29	4	117-76	Locknut, Nylon M16x2,0 Zn
14	16	108-102	Washer, 16mm, DIN125A	30	2	848-56	Seat Belt Assembly C/W Label
15	4	108-27	Lockwasher 7/16 Split-Ring Zn				
16	6	108-34	Washer .47x.94x.06 Zn				
17	4	108-35	Washer .53x1.06x.09 Zn				

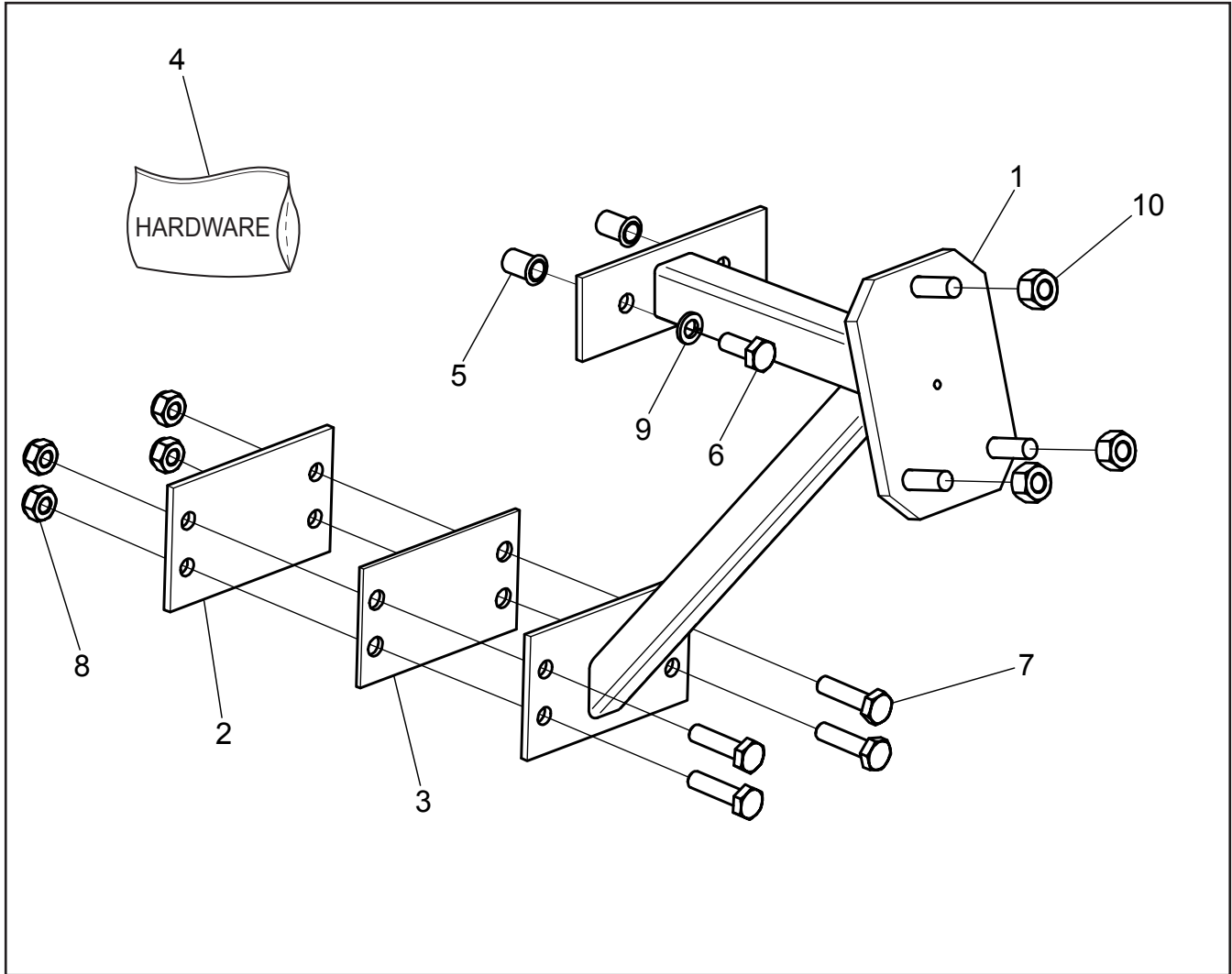


Ref.	Qty.	Part #	Description
1	1	956-03	Rops Hoop, Rear, XTI
2	2	956-08	Brace, Rear Rops
3	1	956-12	Rops Support, Rear, LH
4	1	956-13	Rops Support, Rear, RH
5	2	956-14	Crossbrace, Rops, Rear
7	1	956-16HDW	Hardware, 4-Person ROPS, XTI
8	2	103-74	HHCS 7/16-20x3.25 Gr5 Zn
9	8	108-05	Lockwasher 5/16 Split-Ring
10	28	108-101	Washer, 10mm, Din 125A
11	8	108-24	Washer .34x.70x.06 Zn
12	8	108-34	Washer .47x.94x.06 Zn

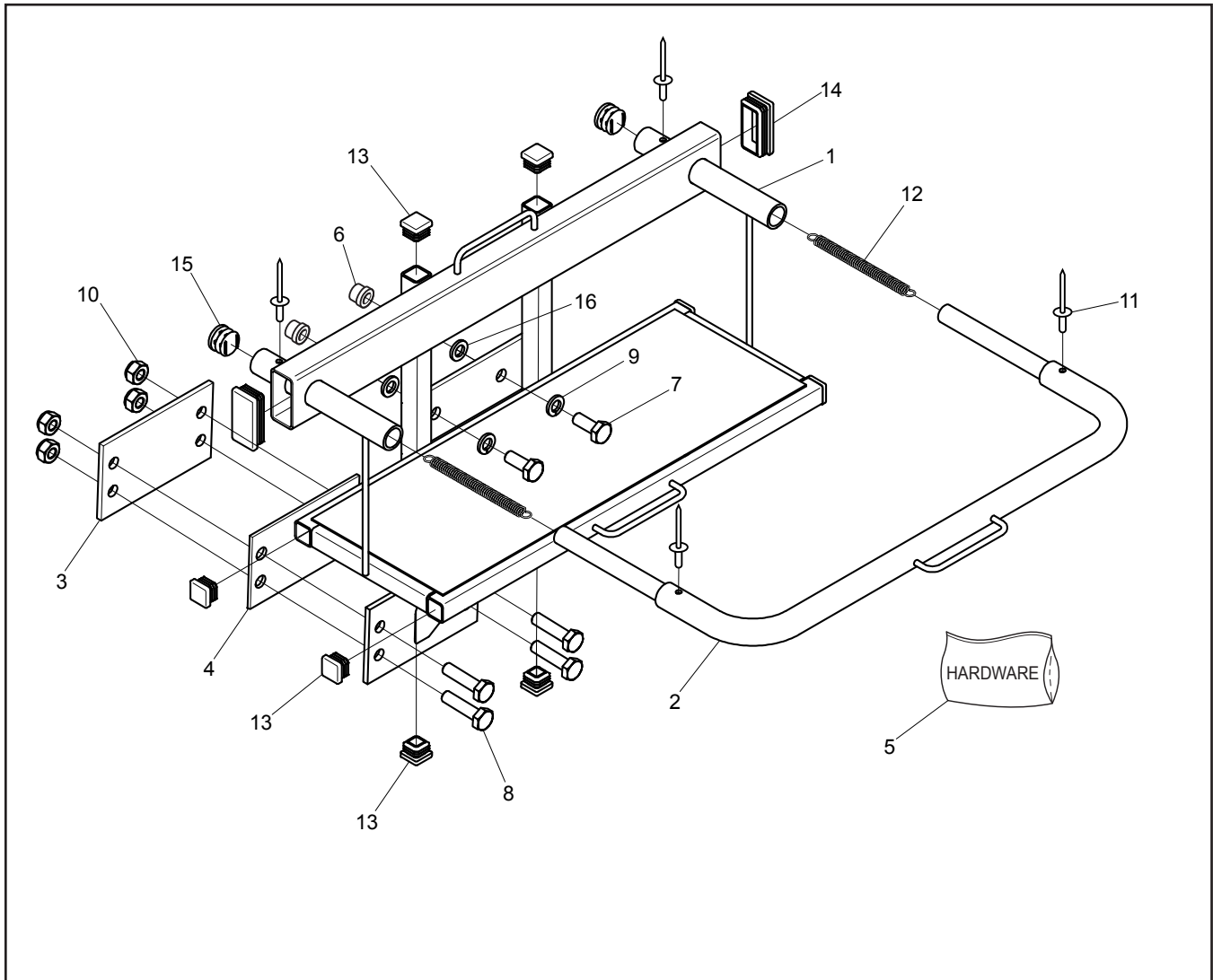
Ref.	Qty.	Part #	Description
13	4	108-67	Lockwasher M10 Split-Ring Zn
14	2	112-120	HHCS M10x1,5x80mm Zn
15	2	112-150	HHCS 7/16-20x1.5" Lg Gr5
16	8	112-63	HHCS M8x1,25x35mm Gr5 Zn
17	12	112-93	HHCS M10x1,5x25mm
18	4	112-94	HHCS, M10x1,5x70mm
19	4	117-32	Locknut, Nylon 7/16-20 Zn
20	14	117-60	Locknut, Nyloc M10x1.5mm Zn
21	4	117-70	Insert, M10x1.5-13.5mm OD
22	2	848-56	Seat Belt Assembly C/W Label



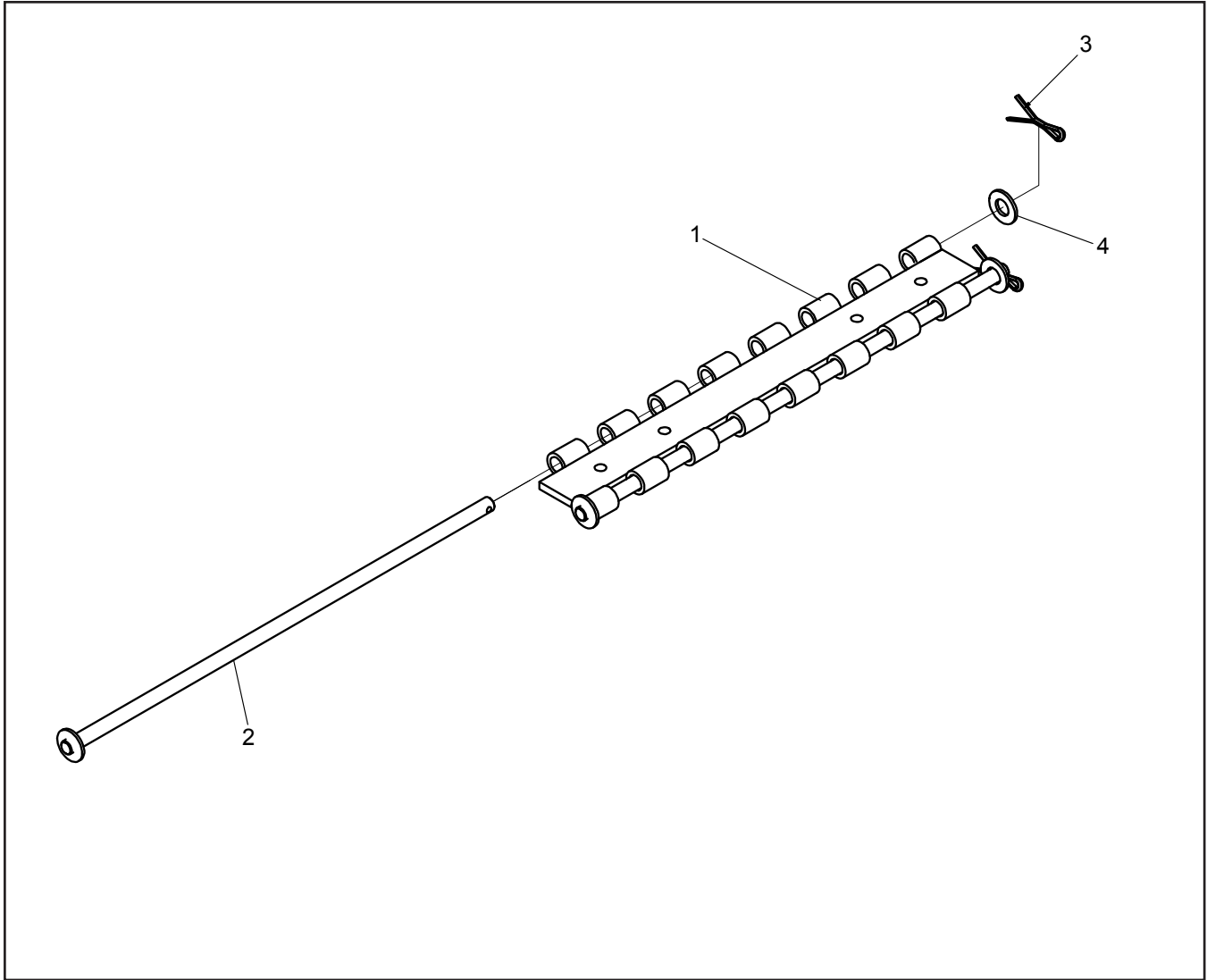
Ref.	Qty.	Part #	Description
1	1	613-154	Switch, Bilge Pump
2	2	849-144	Bracket, Bilge Pump
3	8	100-102	Tie Wrap - 14" - White
4	6	112-102	Screw, Self Drilling - 12-14 x 3/4"
5	4	120-04	Washer, 3/16"
6	4	120-11	Rivet, 5/32" x .252" - .500"
7	2	638-05	Flex Hose, 3/4" x 3'
8	2	958-153	Hull 3/4"W/ 90 Deg. Fitting
9	4	638-16	Gear Clamp
10	2	10002B	Bilge Pump with Connector
11	1	118-52	Fuse, 10A 2-Prong
12	1	613-200	Wire Harness, Bilge Pump XT
13	2	127-24	Clamp, Nylon - 1" ID



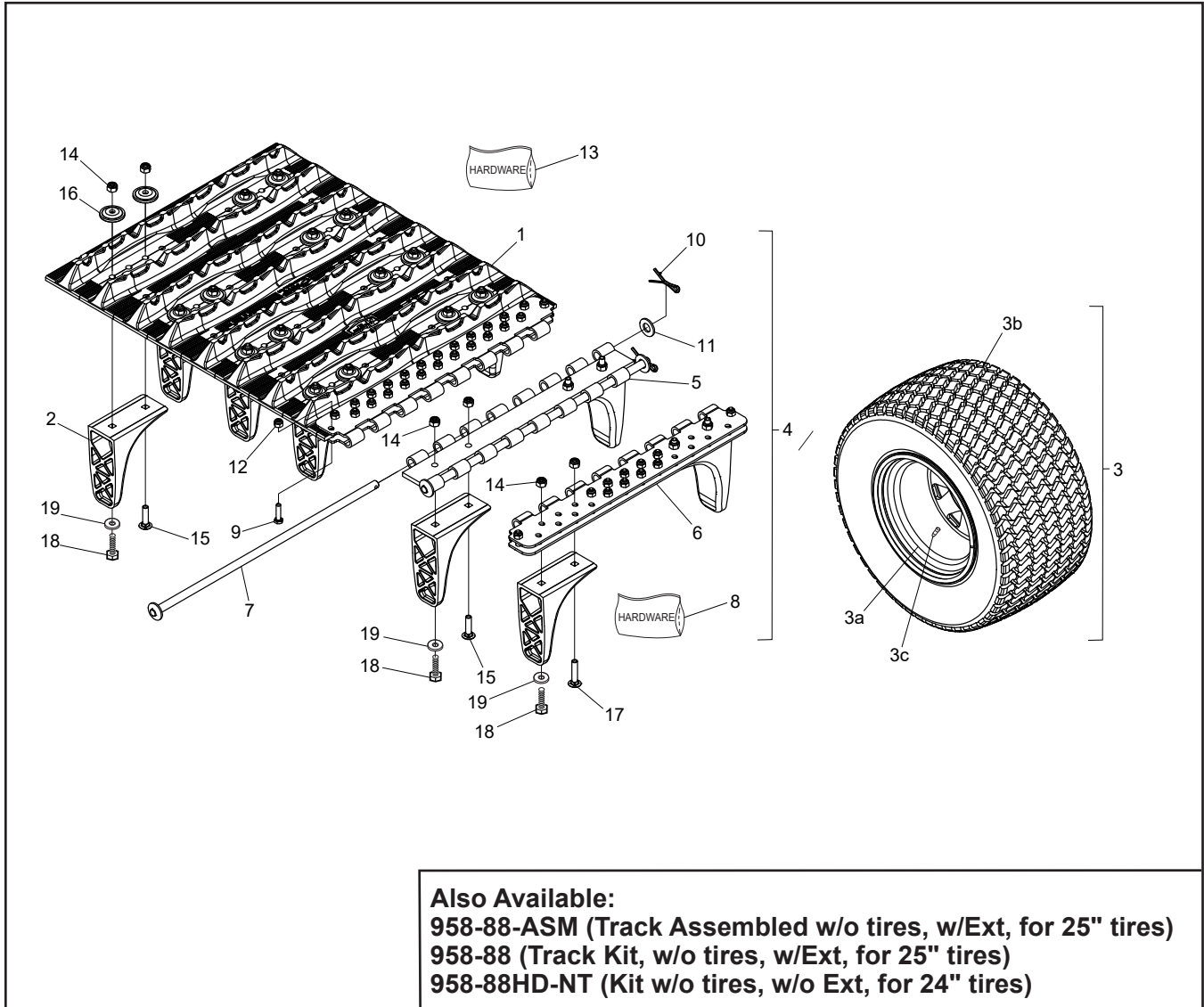
Ref.	Qty.	Part #	Description
1	1	958-76	Asm, Tire Carrier-XT
2	1	616-18	Plate, Hitch
3	1	616-20	Gasket, Rear Hitch
4	1	958-75HDW	Hardware, Tire Carrier-XT
5	2	117-70	Insert, M10x1.5-13.5mm OD
6	2	112-93	HHCS M10x1,5x25mm
7	4	112-92	HHCS M10x1,5x40mm Zn
8	4	117-60	Locknut, Nyloc M10x1.5mm Zn
9	2	108-67	Lockwasher M10 Split-Ring Zn
10	3	117-35	Nut, Wheel 7/16-20 Zn



Ref.	Qty.	Part #	Description
1	1	958-81	Asm, Can Carrier
2	1	867-04	Asm, Can Carrier - Restraint
3	1	616-18	Plate, Hitch
4	1	616-20	Gasket, Rear Hitch
5	1	958-80HDW	HDW, Gas Can Carrier-XT
6	2	117-70	Insert, M10x1.5-13.5mm OD
7	2	112-93	HHCS M10x1,5x25mm
8	4	112-92	HHCS M10x1,5x40mm Zn
9	2	108-67	Lockwasher M10 Split-Ring Zn
10	4	117-60	Locknut, Nyloc M10x1.5mm Zn8
11	4	120-32	Rivet, 3/16 x 1.075 Black
12	2	127-224	Spring, Ext. 3/8 x 4.5"
13	8	867-18	Plug, End 3/4" Tube-Black
14	2	867-19	Plug, End 1.0 x 2.0 Tube-Black
15	2	867-17	Plug, OD 7/8" ID 0.685"-Black
16	2	108-47	Washer .39x.94x13 Zn Di-Chro

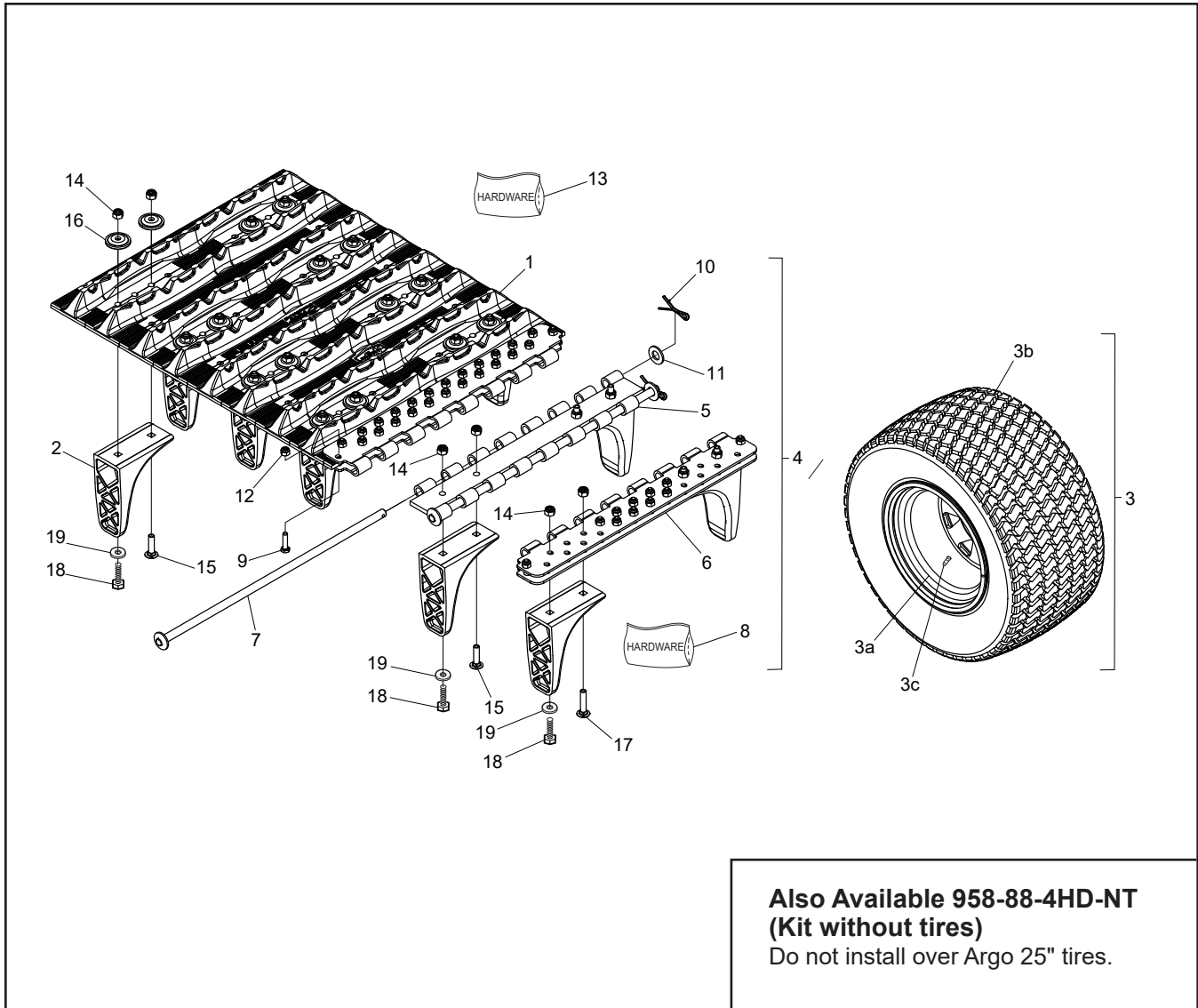


Ref.	Qty.	Part #	Description
1	4	849-241	Spacer, Track 16.5"
2	4	849-247	Rod, Hinge Asm
3	4	104-71	Pin, Cotter 3/16x1.25 Zn
4	4	108-35	Washer .53x1.06x.09 Zn



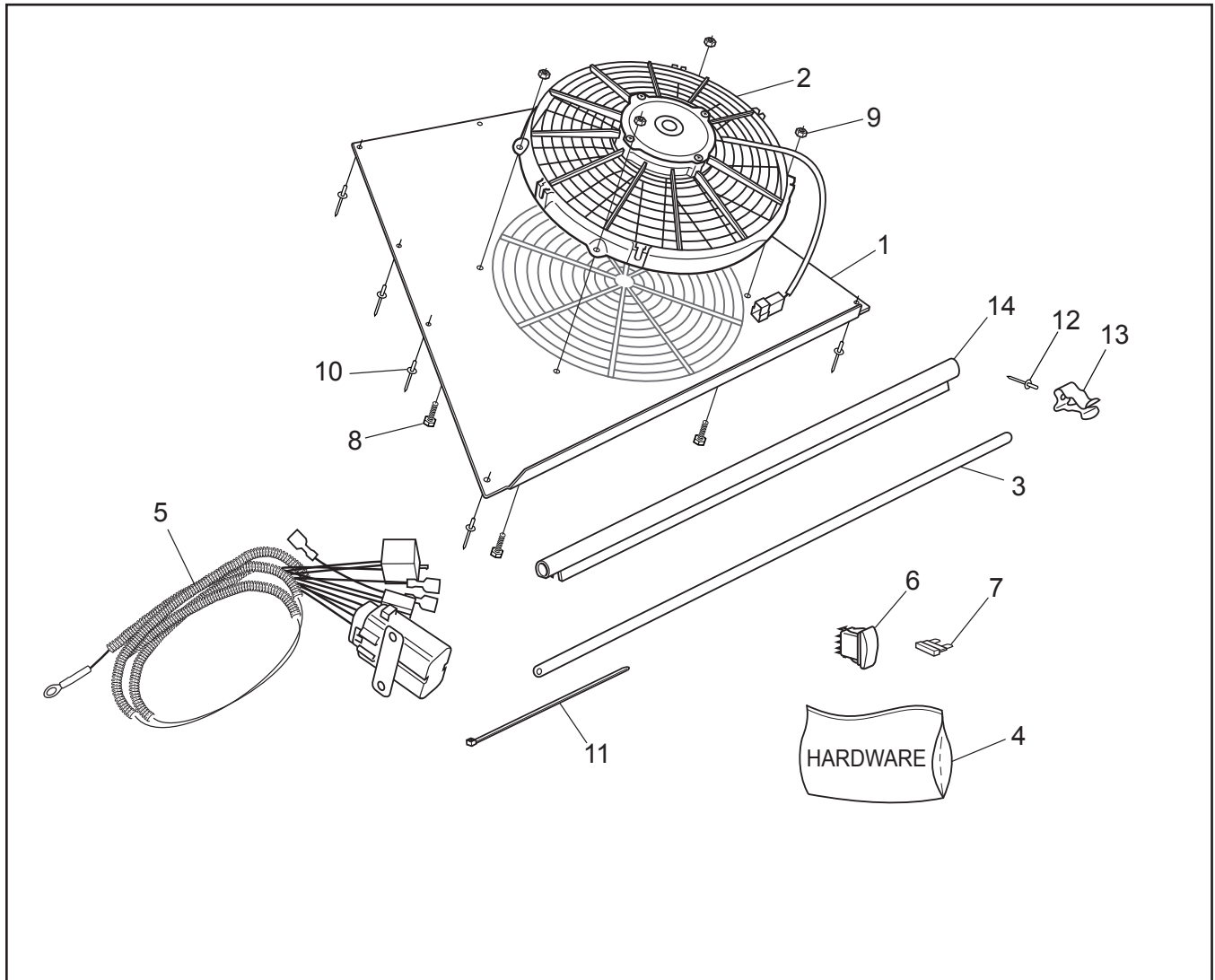
Ref.	Qty.	Part #	Description
1	2	825-51-1	Track, Rubber - Argo
2	180	825-71	Guide, HD Track -UHMW-PE
3	8	127-215	Tire + Rim Ass'y - Multitrac XT HD (incl. Ref. 3a, 3b & 3c)
3a		127-281	Rim -12x9.5x2.25 Offset-Rein
3b		127-227	Tire, Multi-Trac XT 24x12-12
3c		125-26A	Valve, Tire - Unassembled
4	1	958-91	Hinge Set & Extensions - HD, XT includes the following:
5	2	849-241	Spacer, Track Lacing
6	4	849-302	Hinge, Track, HD
7	4	849-247	Rod, Hinge Ass'y
8	1	958-91HDW	Hardware Kit, Hinge Set, Tracks HD, XT includes the following:

Ref.	Qty.	Part #	Description
9	100	103-08	HHCS 1/4-20 x 1.0 Zn
10	4	104-71	Pin, Cotter 3/16 x 1.25 Zn
11	4	108-35	Washer .53 x 1.06 x .09 Zn
12	100	117-27	Locknut, Nylon 1/4-20 Zn
13	1	958-88HD-HDW	Hardware Kit - Rubber Tracks - HD, XT includes the following:
14	360	117-21	Locknut, Nylon 5/16-18"
15	180	112-155	Bolt, Carriage
16	360	108-110	Washer, Concave 5/16 IDx1-3/8"
17	8	112-11	C/Bolt 5/16-18 x 1.5 Gr5 Zn
18	180	103-38	HHCS 5/16-18x1.25 Gr5 Zn
19	180	108-113	Washer .33x.88x.08 L9 Eco

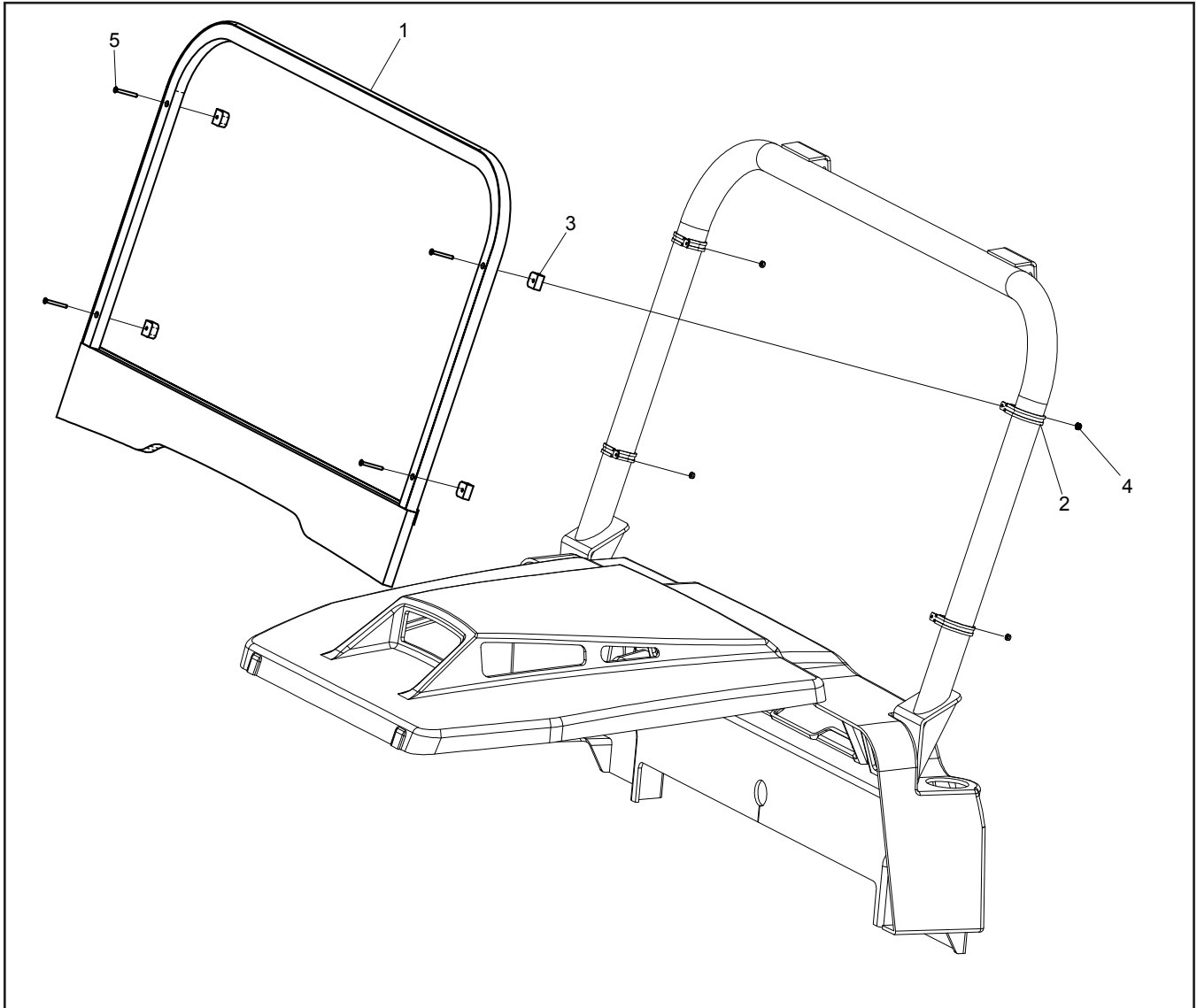


Ref.	Qty.	Part #	Description
1	4	825-51-1	Track, Rubber - Argo
2	192	825-71	Guide, HD Track -UHMW-PE
3	8	127-215	Tire + Rim Ass'y - Multitrac XT HD (incl. Ref. 3a & 3b)
3a		127-281	Rim -12x9.5x2.25 Offset-Rein
3b		127-227	Tire, Multi-Trac XT 24x12-12
3c		125-26A	Valve, Tire - Unassembled
4	1	958-92	Hinge Set & Extensions - HD, XT includes the following:
5	4	849-241	Spacer, Track Lacing
6	4	849-302	Hinge, Track, HD
7	4	849-247	Rod, Hinge Ass'y
8	1	958-91HDW	Hardware Kit, Hinge Set, Tracks HD, XT includes the following:

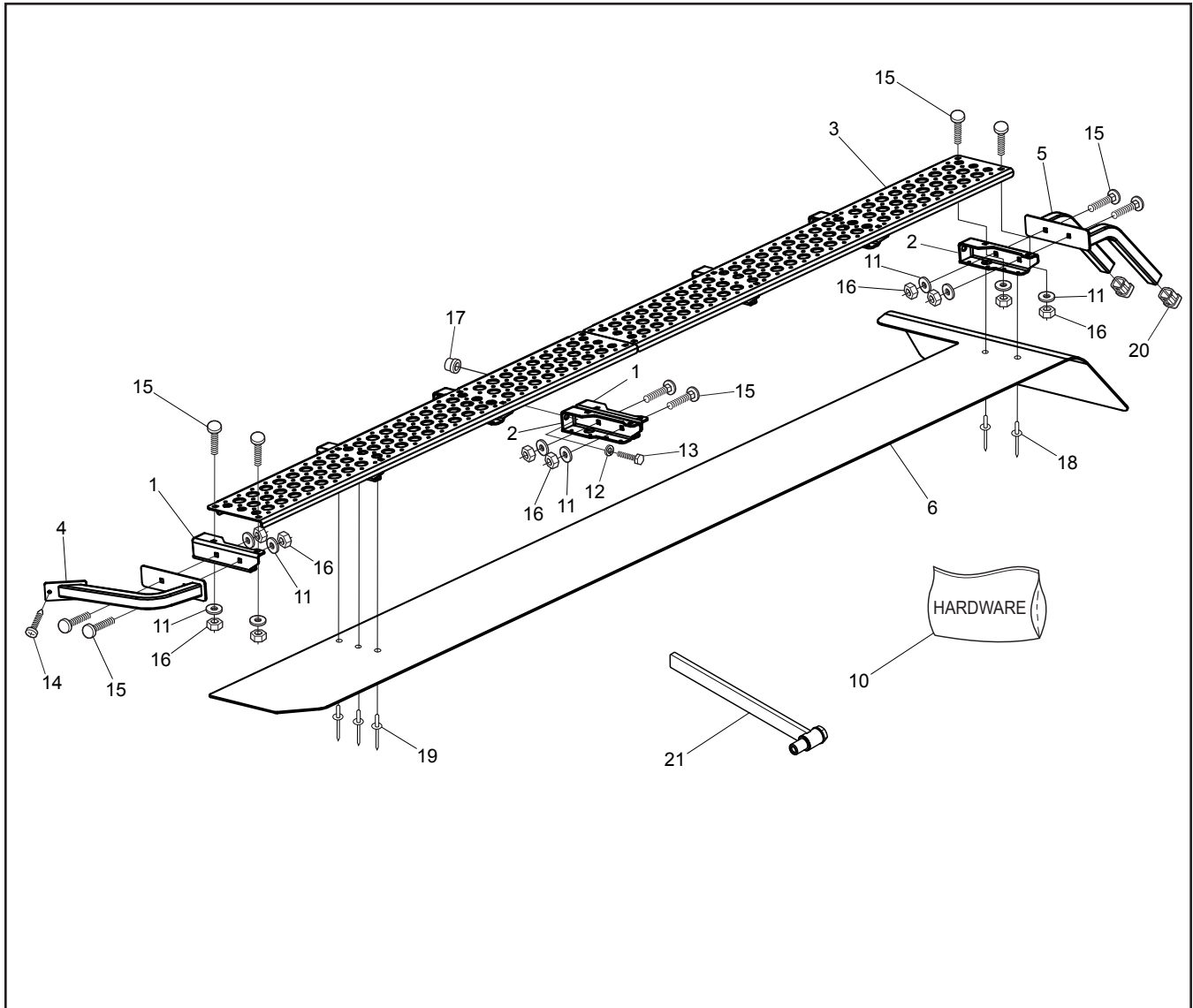
Ref.	Qty.	Part #	Description
9	100	103-08	HHCS 1/4-20 x 1.0 Zn
10	4	104-71	Pin, Cotter 3/16 x 1.25 Zn
11	4	108-35	Washer .53 x 1.06 x .09 Zn
12	100	117-27	Locknut, Nylon 1/4-20 Zn
13	1	958-88-4HD-HDW	Hardware Kit - Rubber Tracks - HD, XT includes the following:
14	384	117-21	Locknut, Nylon 5/16-18"
15	192	112-155	Bolt, Carriage
16	384	108-110	Washer, Concave 5/16 ID x 1-3/8"
17	16	112-11	C/Bolt 5/16-18 x 1.5 Gr5 Zn
18	192	103-38	HHCS 5/16-18x1.25 Gr5 Zn
19	192	108-113	Washer .33x.88x.08 L9 Eco



Ref.	Qty.	Part #	Description
1	1	952-261	Mount, Hood Fan II - XT
2	1	953-50	Fan, Hood - XT
3	1	955-103	Prop Rod, Hood
4	1	958-89HDW	Hardware, Acc, Hood Fan - XT
5	1	613-229	Wire Harness, Relay, Hood Fan
6	1	613-202	Switch, Hood Fan
7	1	118-77	Fuse, 20A Mini
8	4	112-04	HHCS 1/4-20 x 3/4 Gr5 Zn
9	4	117-82	Locknut, Flange 1/4-20 Zn
10	25	120-13	Rivet - 3/16 x 3/4 Black
11	2	100-64	Tie Wrap - 5.5" - Black
12	1	120-15	Rivet - 1/8 x 7/16
13	1	127-285	Retainer, Hood Prop
14	1	952-165	Seal, Hood Fan - XT
15	2	120-11	Rivet, 5/32 x .157-.472

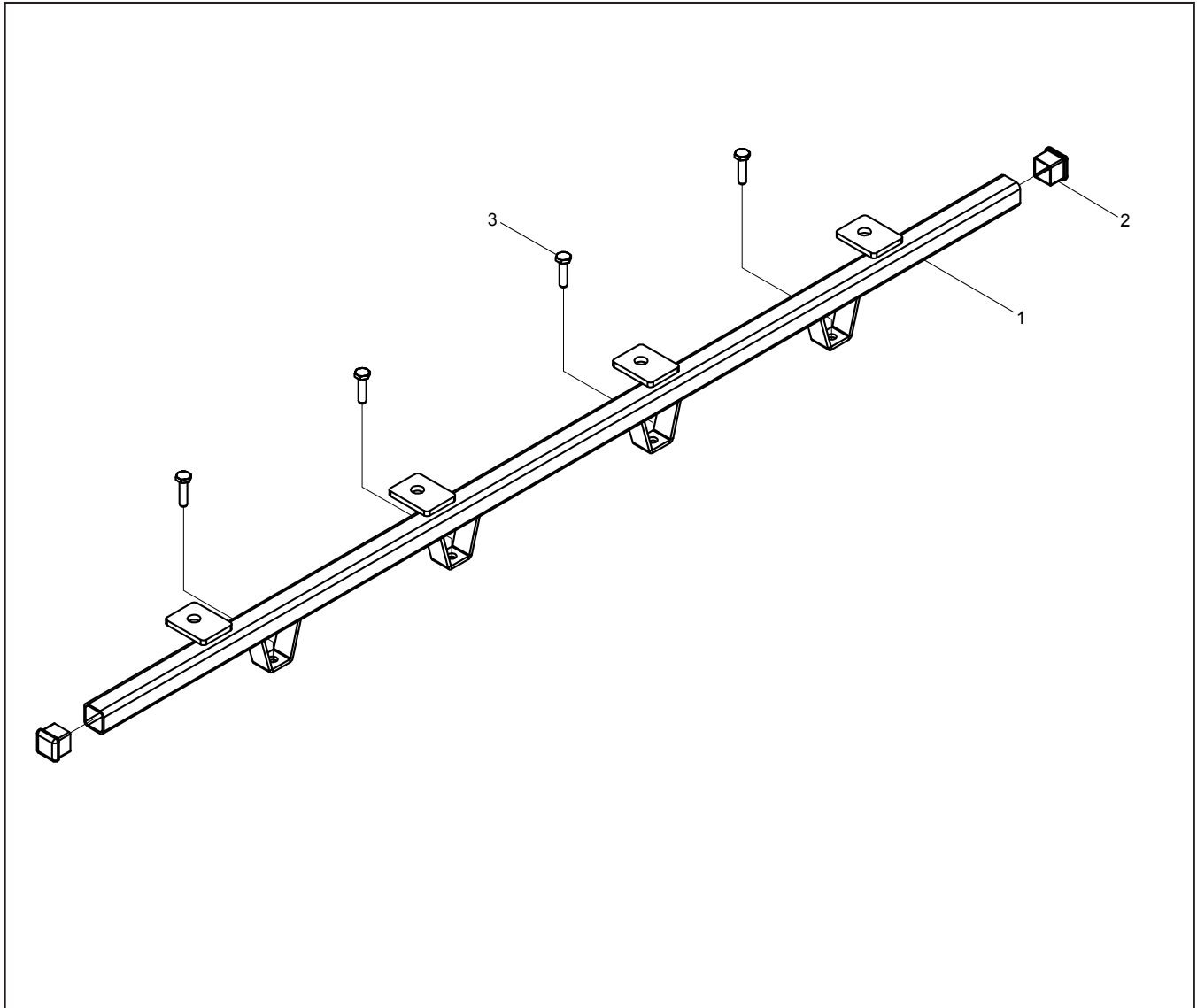


Ref.	Qty.	Part #	Description
1	1	958-90	Windshield Asm, XTI
2	4	127-240	Clamp, 2.0" Loop - Rubber Cush
3	4	958-94	Spacer, Windshield - XTI
4	4	117-10	Locknut, 10-24 N/I Zn
5	4	112-222	FHCS 10-24 x 1.75, Black

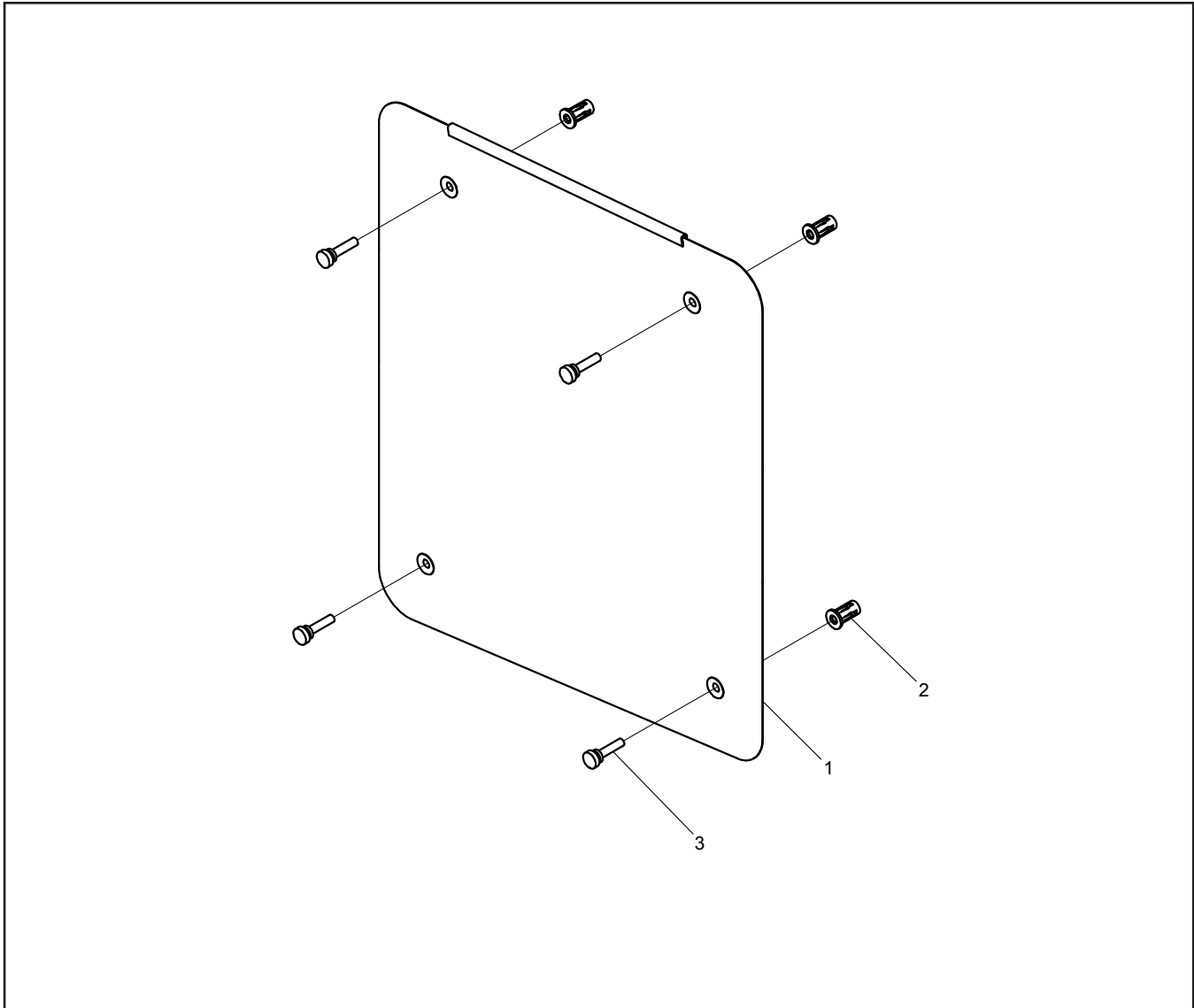


Ref.	Qty.	Part #	Description
1	8	952-205	Bracket, Supt Step LH
2	8	952-206	Bracket, Supt Step RH
3	4	952-207	Step, Platform
4	2	950-34	Tube Asm, Front Step
5	2	950-35	Tube Asm, Rear Step
6	1	951-19	Mudflap, Catwalk LH
7	1	951-20	Mudflap, Catwalk RH (not shown)
8	1	658-73	Tool, Expand M10 Rivet Nut
10	1	958-93HDW	Hardware, Cat Walk Mudflap XT
11	44	108-24	Washer .34x.70x.06 Zn
12	16	108-67	Lockwasher M10 Split-Ring Zn
13	16	112-93	HHCS M10x1,5x25mm
14	2	112-102	Screw, Self Drill 12-14 x 3/4"

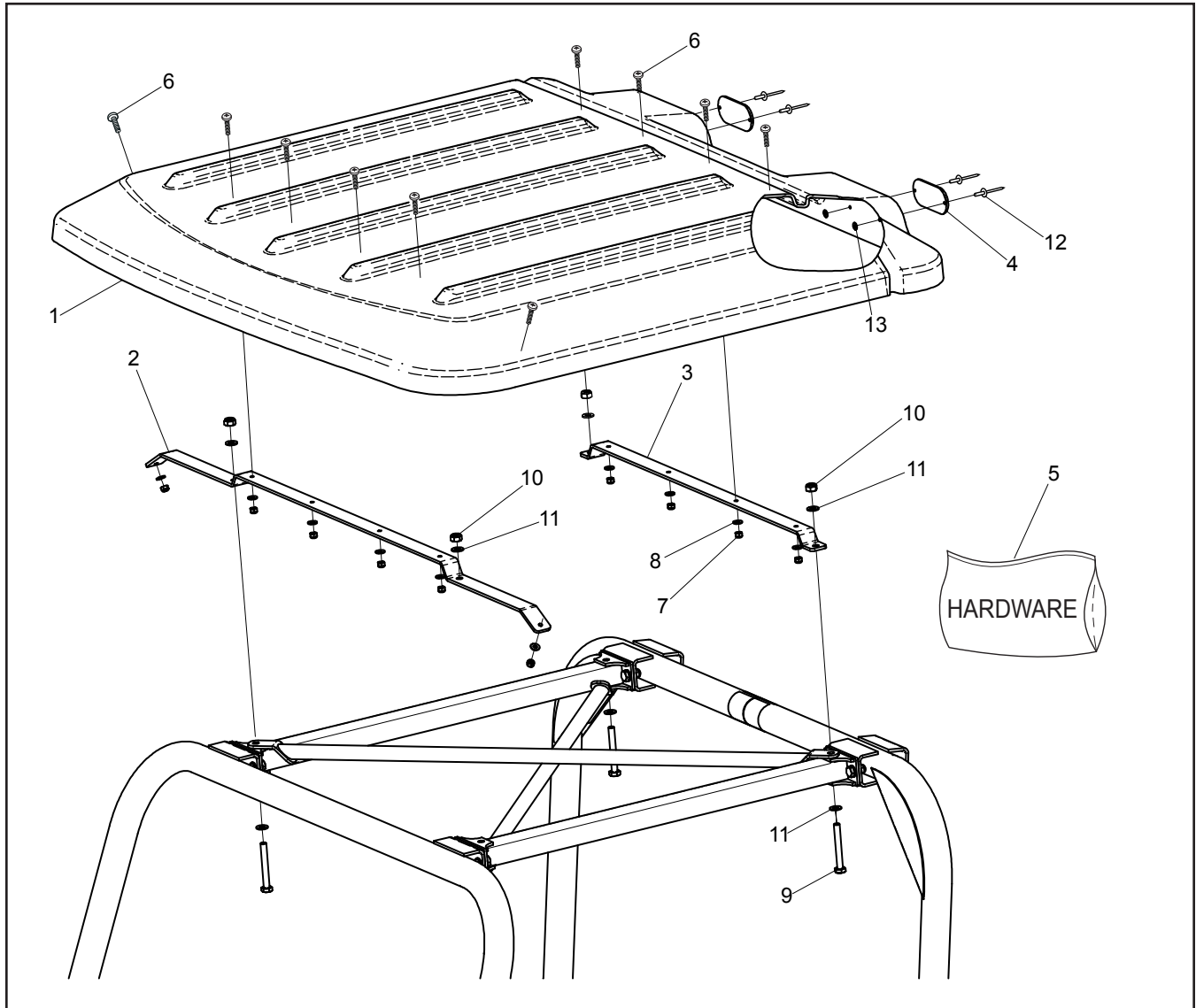
Ref.	Qty.	Part #	Description
15	44	112-227	C/Bolt, 5/16-18x3/4 Gr5 Zn
16	44	117-21	Locknut, Nylon 5/16-18 Zn
17	16	117-70	Insert, M10x1.5-13.5mm OD
18	4	120-09	Rivet - 3/16 x 1.0 Black
19	76	120-31	Rivet, 3/16" x 1/4", Open End
20	4	127-282	Plug, 1" Sq. Tube
21	1	658-82	Tool Ass'y, Insert Installation (Opt.)



Ref.	Qty.	Part #	Description
1	1	958-96	Bar, Light
2	2	849-88	Plug, 7/8" Sq Tube
3	4	103-08	HHCS 1/4-20x1.0 Zn

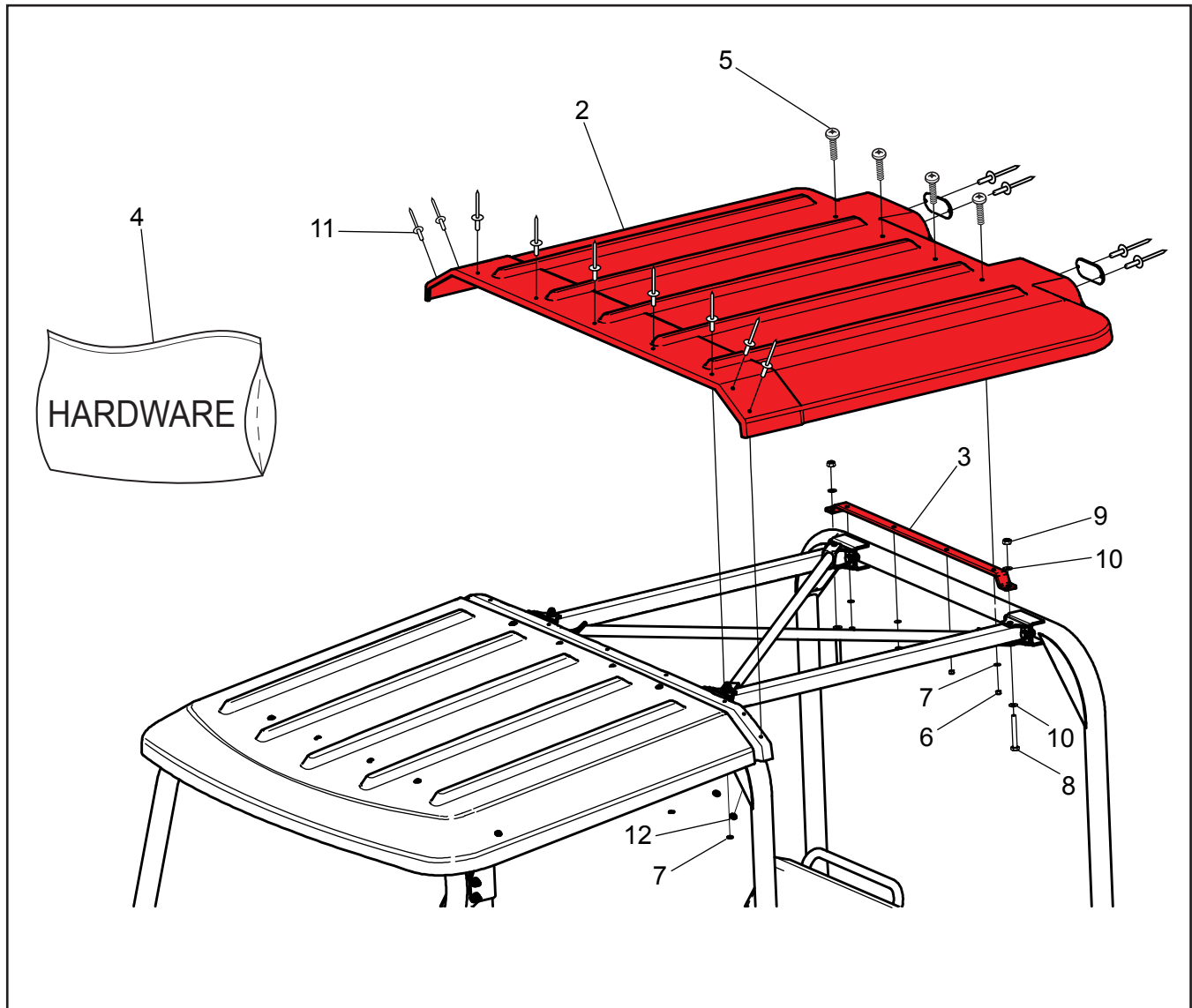


Ref.	Qty.	Part #	Description
1	1	707-53	Screen, Intake Debris, XT
2	4	117-53	Nut, Jack 1/4-20 8L-JNS Zn
3	4	117-89	Thumbscrew, 1/4-20X1, Nylon



Ref.	Qty.	Part #	Description
1	1	958-103	Hard Top, Front - XT
2	1	958-106	Bracket, Front Mount - XT Hard Top
3	1	958-107	Bracket Rear Mount - XT Hard Top
4	2	127-01	Reflector, Red
5	1	958-102HDW	Hardware, 2 Person Hard Top - XT
6	10	103-73	THMS, Phil 1/4-20x.75 Zn
7	10	117-27	Locknut, Nylon 1/4-20 Zn
8	10	108-08	Washer .28x.62x.07 Zn
9	4	112-120	HHCS M10x1.5x80mm Zn
10	4	117-60	Locknut, Nyloc M10x1.5mm Zn 8
11	8	108-101	Washer, 0.41X0.79x0.08, Zn

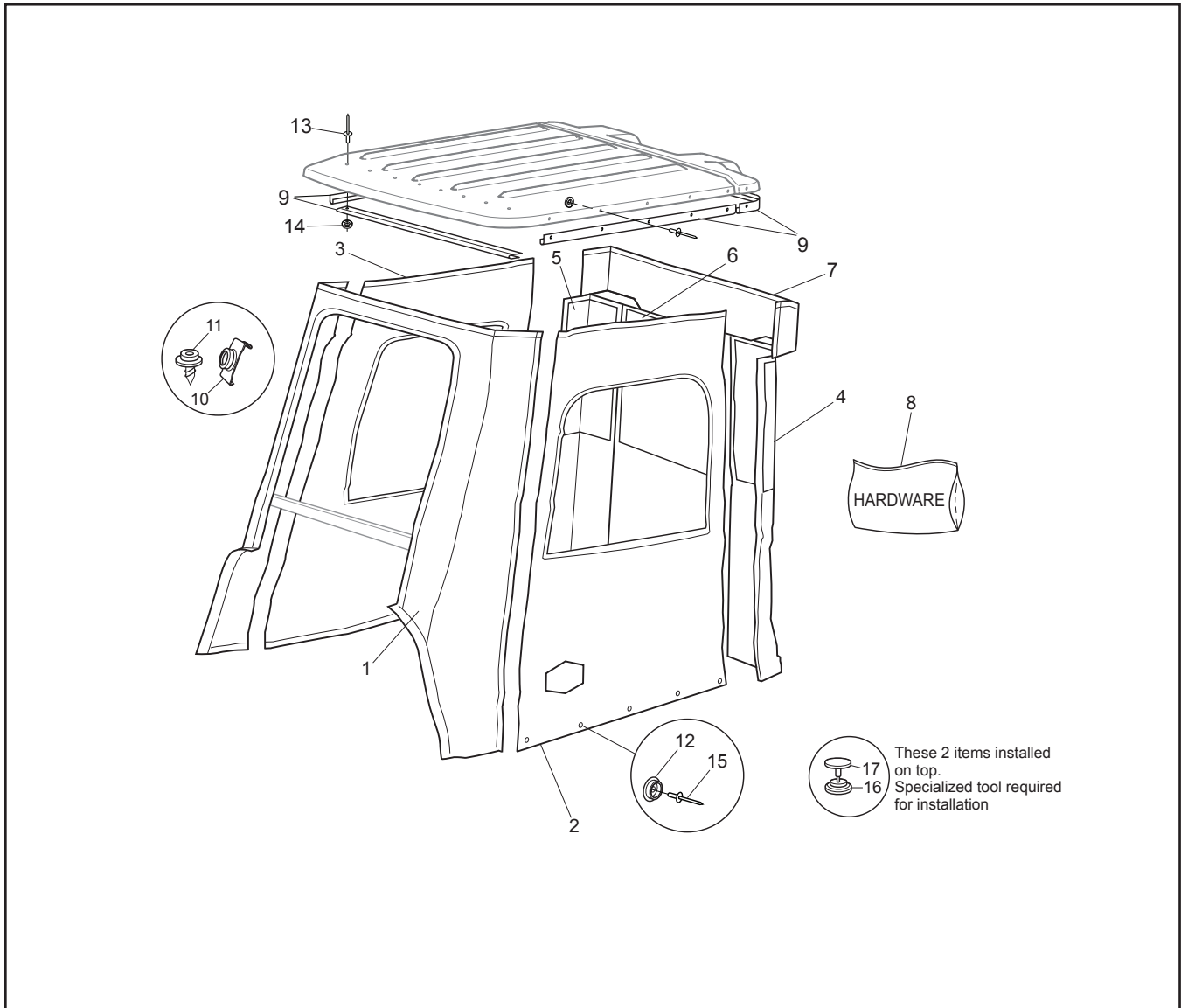
Ref.	Qty.	Part #	Description
12	4	120-13	Rivet - 3/16 x 3/4 Black
13	4	120-05	Washer .19x.50x.04 Zn



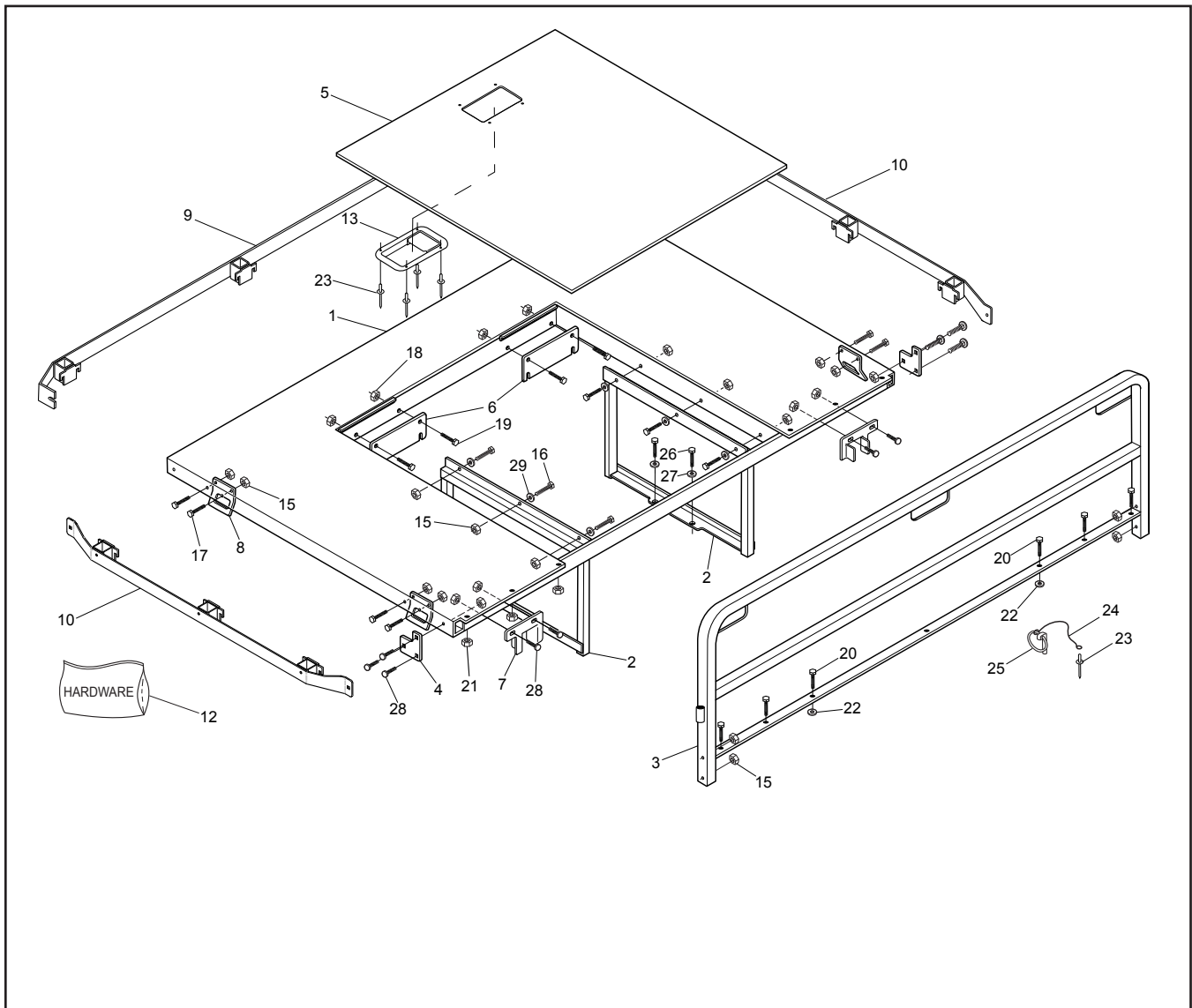
Ref.	Qty.	Part #	Description
1	1	958-102	Hard Top, 2 Person Acc - XT
2	1	958-105	Hard Top, Rear - XT
3	1	958-107	Brkt, Rr Mnt - XT Hard Top
4	1	958-104HDW	Hardware, 4 Person Hard Top - XT includes:
5	4	103-73	THMS, Phil 1/4-20x.75 Zn
6	4	117-27	Locknut, Nylon 1/4-20 Zn
7	4	108-08	Washer .28x.62x.07 Zn
8	2	112-120	HHCS M10x1,5x80mm Zn
9	2	117-60	Locknut, Nyloc M10x1.5mm Zn 8
10	4	108-101	Washer, 0.41x0.79x0.08, Zn

Ref.	Qty.	Part #	Description
11	10	120-13	Rivet - 3/16 x 3/4 Black
12	10	120-05	Washer .19x.50x.04 Zn

958-110 Two Person Canvas Enclosure Conquest Acc. Manual

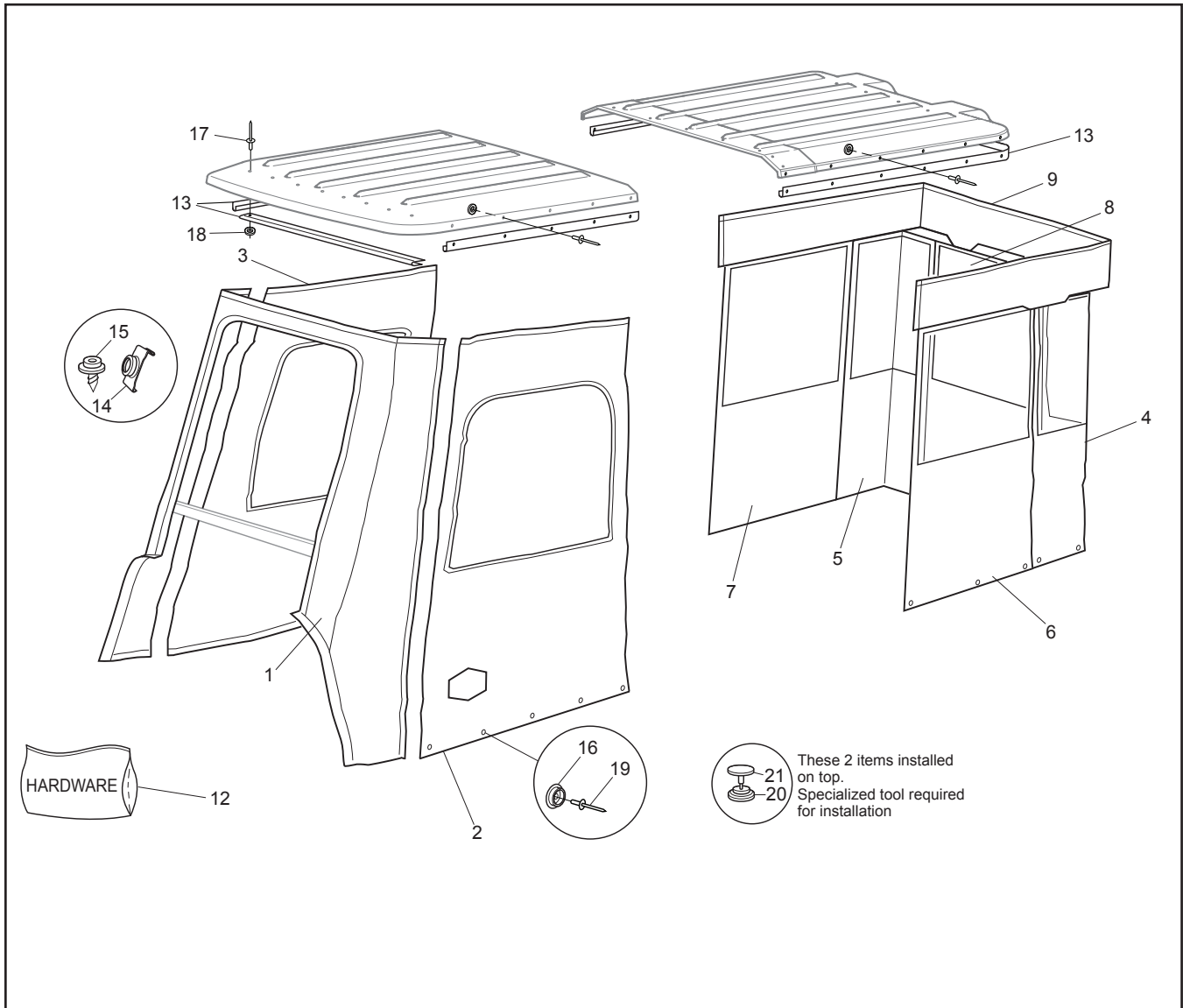


Ref.	Qty.	Part #	Description	Ref.	Qty.	Part #	Description
1	1	958-132	Panel, Canvas - Windshield	11	16	627-10	Dome Stud #8 x 3/8" #688
2	1	958-133	Panel, Canvas - FR L Door	12	12	958-144	Dome, Blank
3	1	958-134	Panel, Canvas - FR R Door	13	30	120-11	Rivet, 5/32 x .157-.472
4	1	958-135	Panel, Canvas - FR Quarter Panel L	14	30	120-04	Washer .19x.50x.08 Zn
5	1	958-136	Panel, Canvas - FR Quarter Panel R	15	12	120-20	Rivet - 1/8 x 1/4
6	1	958-137	Panel, Canvas - FR Tailgate	16	17	4003E	Socket Nickle Plated Brass
7	1	958-138	Panel, Canvas - FR Tailgate HDR	17	17	4002E	Finish Cap Black Finish Brass
8	1	958-110HDW	Hardware, 2 Person Canvas Enclosure - XT includes:				
9	3	958-145	Track, J Clip - 60"				
10	11	627-02	Dome Snaps-Clip,Windshield				



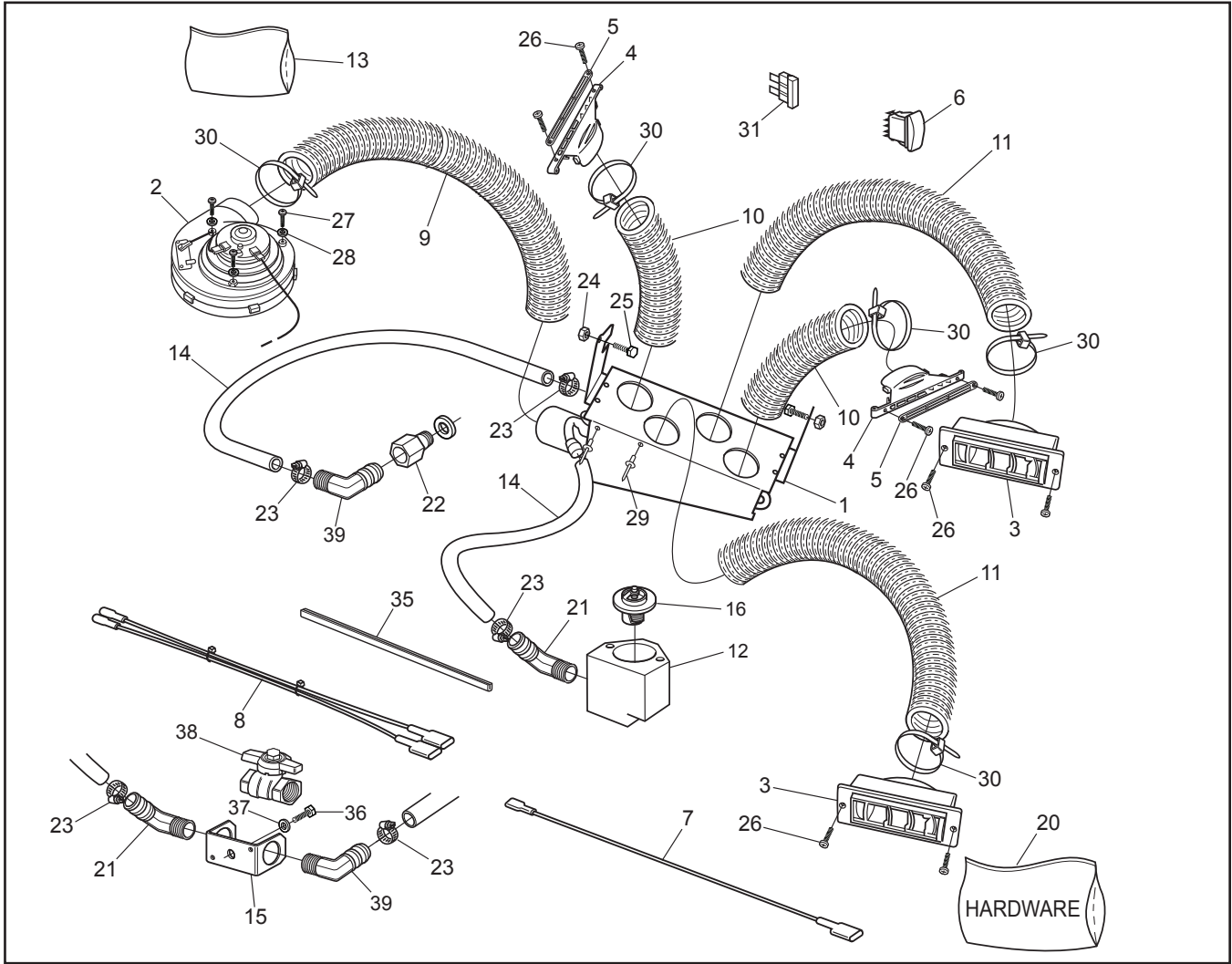
Ref.	Qty.	Part #	Description	Ref.	Qty.	Part #	Description
1	1	950-26	Frame, Flat Bed	17	6	112-27	HHCS 5/16-18x1.75 Gr5 Zn
2	2	958-119	Support Leg Flat Bed	18	4	117-29	Locknut, Nylon 3/8-16 Zn
3	1	950-28	Headboard	19	4	103-76	HHCS 3/8-16x1.75 Gr5 Zn
4	2	958-122	Bracket, Headboard	20	6	112-04	HHCS 1/4-20X3/4 Gr5 Zn
5	1	950-27	Hatch, Assembly	21	6	117-27	Locknut, Nylon 1/4-20 Zn
6	2	958-109	Bracket, Rear Mount	22	2	108-08	Washer .28x.62x.07 Zn
7	2	958-111	Bracket, Hoop Clamp	23	4	120-14	Rivet - 3/16 x 5/8 Black
8	4	958-113	Loop, Tie Down	24	1	622-125	Lanyard, Front Hitch EU
9	1	958-114	Stake Pocket, Rear	25	1	104-38	Pin, Hitch - 5/16 x 1.2"
10	2	958-121	Stake Pocket, Side	26	4		Supplied with vehicle
12	1	958-112HDW	Hardware, Flat Bed Basic	27	4		Supplied with vehicle
13	1	953-78	Latch, Paddle Slam, Flush Mount	28	22	103-112	C/Bolt 5/16-18x2.0 Gr5 Zn
14	2	112-11	C/Bolt 5/16-18 x 1.5 Gr5 Zn	29	6	108-76	Washer .33 x .59 x .06 Zn
15	12	117-21	Locknut, Nylon 5/16-18 Zn				
16	6	103-57	HHCS 5/16-18x1.5 Gr5 Zn				

958-115 Four Person Canvas Enclosure Conquest Acc. Manual



Ref.	Qty.	Part #	Description
1	1	958-132	Panel, Canvas - Windshield
2	1	958-133	Panel, Canvas - FR L Door
3	1	958-134	Panel, Canvas - FR R Door
4	1	958-139	Panel, Canvas - RR L Door
5	1	958-140	Panel, Canvas - RR R Door
6	1	958-141	Panel, Canvas - RR Center Panel L
7	1	958-142	Panel, Canvas - RR Center Panel R
8	1	958-143	Panel, Canvas - RR Tailgate
9	1	958-146	Panel, Canvas - RR Tailgate HDR

Ref.	Qty.	Part #	Description
12	1	958-115HDW	Hardware, 4 Person Canvas Enclosure - XT includes:
13	5	958-145	Track, J Clip - 60"
14	11	627-02	Dome Snaps-Clip, Windshield
15	12	627-10	Dome Stud #8 x 3/8" #688
16	32	958-144	Dome, Blank
17	42	120-11	Rivet, 5/32 x .157-.472
18	42	120-04	Washer .19x.50x.08 Zn
19	32	120-20	Rivet - 1/8 x 1/4
20	33	4003E	Socket Nickle Plated Brass (Snap Fastener)
21	33	4002E	Cap, Finish (Snap Fastener)



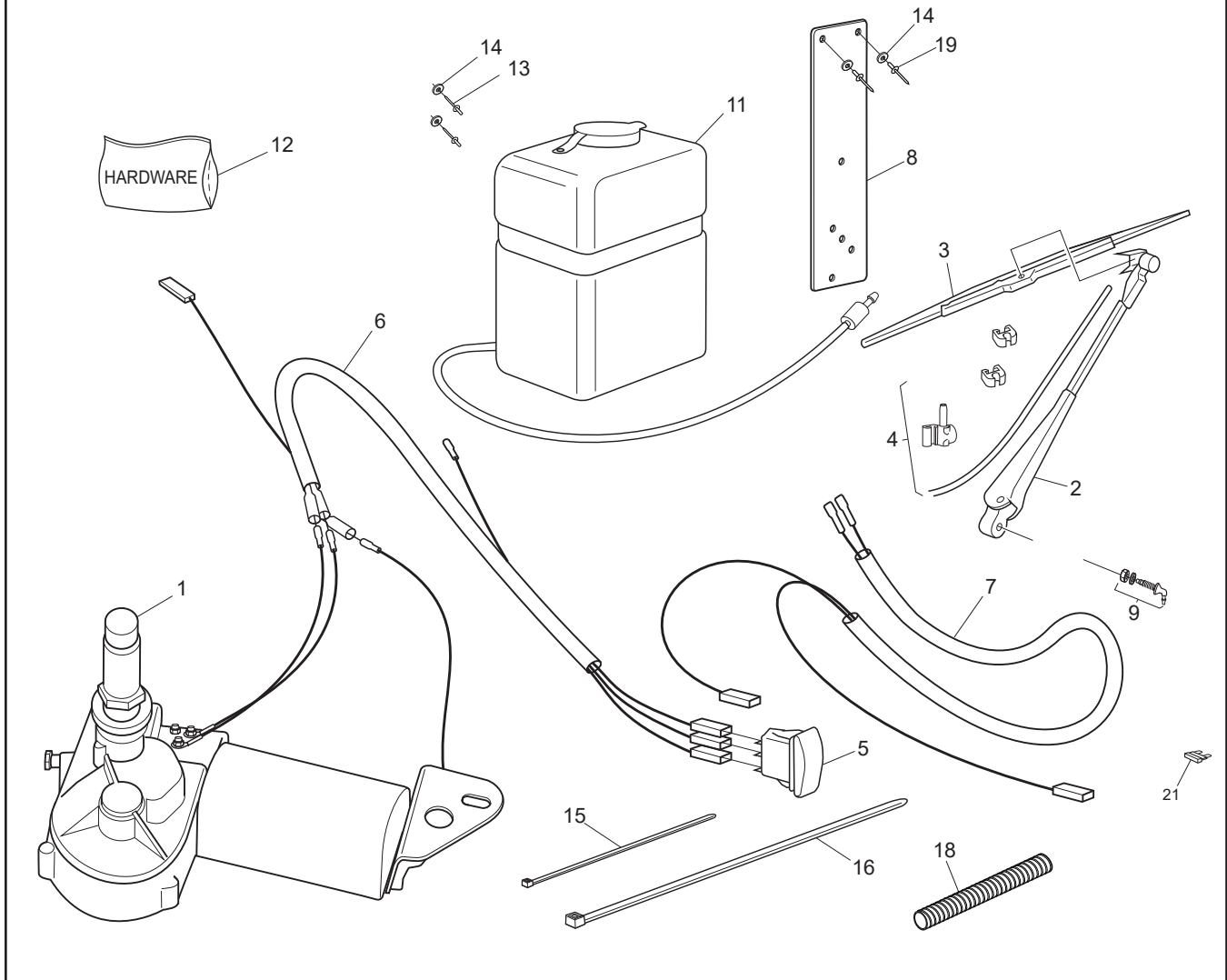
Ref.	Qty.	Part #	Description
1	1	958-127	Heater Box W/Core
2	1	953-56	Fan, Blower Heater
3	2	953-57	Louver, Heater Vent
4	2	953-58	Plenum, Defroster
5	2	953-59	Grill, Vent Defrost
6	1	613-157	Switch, Heater Fan
7	1	613-167	Ground Wire, Heater Switch
8	1	613-204	Wire Harness, Heater - XT
9	1	953-61	Hose, Inlet 3" x 24"
10	2	953-66	Hose, Duct Defrost 2.5"x12"
11	2	953-60	Hose, Heat 2.5" x 36"
12	1	848-106	Housing, Heater Kit
13	1	848-107	Thermostat- Gasket & Fasteners (incl. Ref. 16)
14	2.75'	848-13RM	Hose, Heater - 5/8"IDx250' lg
15	1	848-114	Bracket, Shut Off Valve
16	1	66 453 03	205 Degree Thermostat & Gasket
20	1	958-129HDW	HDW, Heater/Defroster - XT
21	2	848-64	Barb, Hose 5/8x3/8NPTx45 Elbow

Ref.	Qty.	Part #	Description
22	1	848-174	Adapter, M12 x 1.25-3/8 FPT
23	4	638-16	Clamp, Gear 5/8" HF-10
24	2	117-27	Locknut, Nylon 1/4-20 Zn
25	2	112-04	HHCS 1/4-20x3/4 Gr5 Zn
26	8	103-24BL	OHPS T/S #6x1.0 Black Zn
27	3	103-48	T/S Pan HD Phil #10x5/8 A Blk
28	3	120-04	Washer .19x.50x.08 Zn
29	2	120-15	Rivet - 1/8 x 7/16
30	5	100-102	Tie Wrap - 14" - White - 50lb
31	1	118-49	Fuse, 15A 2-Prong (AT015)
32	1	952-218	Tool, Layout Defroster
33	1	952-219	Template, Defroster Location
34	1	952-220	Template, Heater Fan Install
35	1.5	601-107RM	Trim, Neoprene
36	1	112-96	HHCS M6x1x10mm Zn
37	1	108-03	Lockwasher 1/4 Split Ring Zn
38	1	848-113	Valve, Shutoff
39	3	848-31	Barb, Beaded Hose 90 Elbow

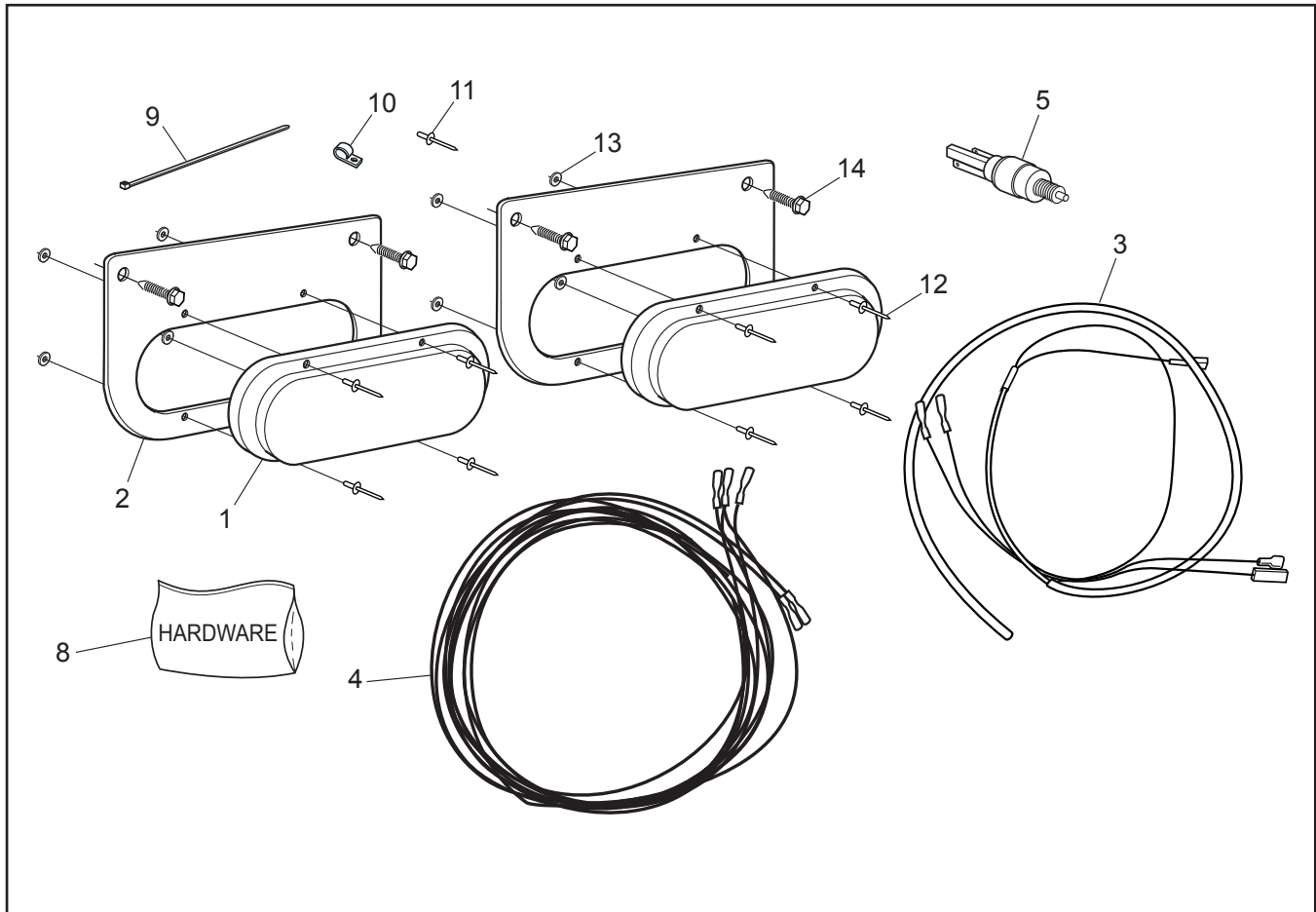
958-130 Windshield Wiper/Washer

Conquest Acc. Manual

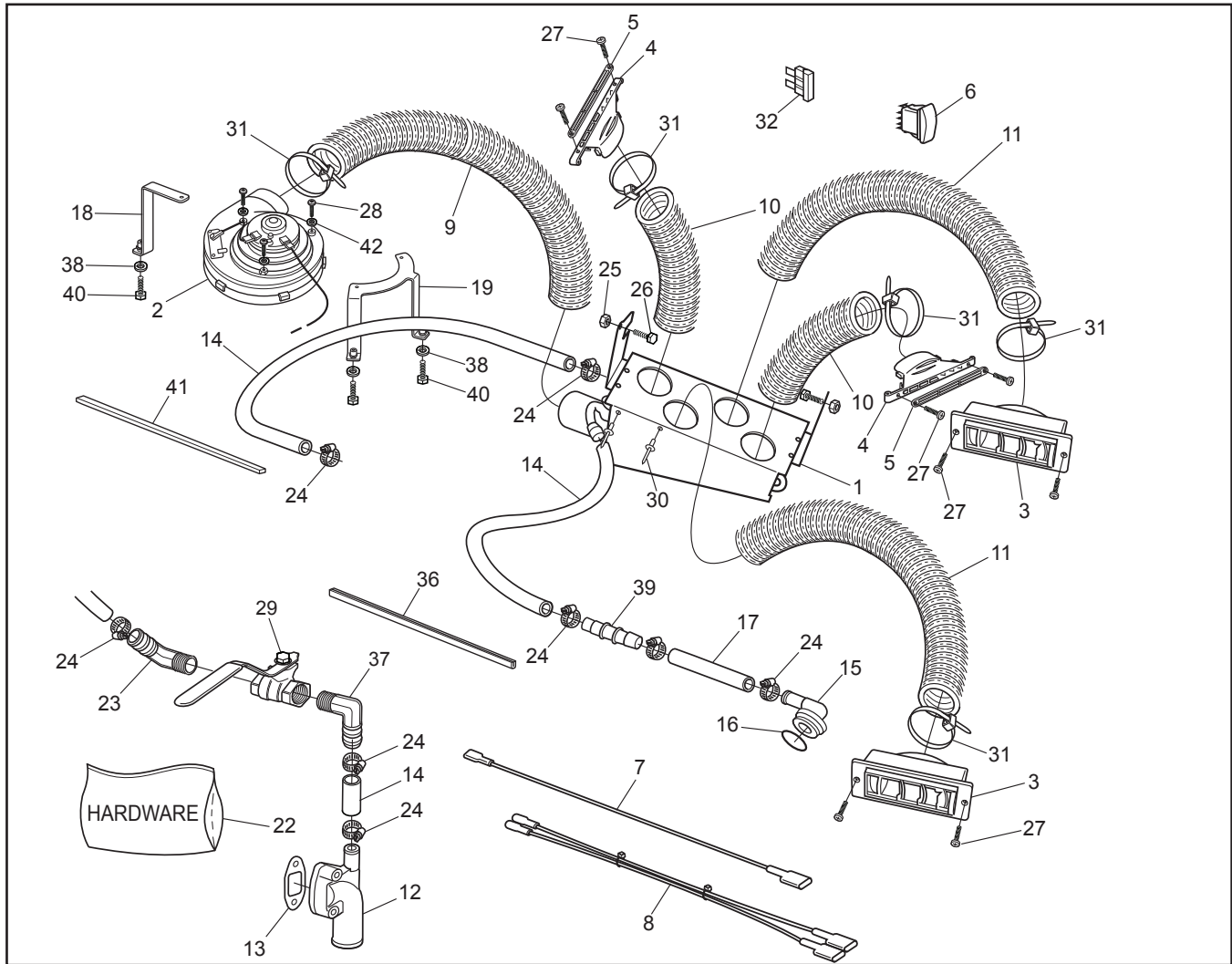
For 958-90 Fixed Windshield only. Will not work with 988-192 Fold Down Windshield.



Ref.	Qty.	Part #	Description	Ref.	Qty.	Part #	Description
1	1	953-62	Motor, Wiper 110 Degree 2 SP	15	6	100-64	Tie Wrap - 5.5" - Black
2	1	849-268	Arm, Wiper Radial	16	2	100-102	Tie Wrap - 14" - White - 50lb
3	1	849-269	Blade, Wiper 19"	17	3	118-75	Terminal, Male Bullet Red
4	1	10021C	Washer Kit, Wiper Arm	18	.5	613-207-6	Loom, Nylon .25" ID
5	1	613-203	Switch, Wiper 1Spd W/Washer	19	2	120-14	Rivet - 3/16 x 5/8 Black
6	1	613-205	Wire Harness, Wiper - XT	20	1	103-48	T/S Pan Hd Phil #10x5/8 A Blk
7	1	613-206	Wire Harness, Washer - XT	21	1	118-49	Fuse, 15A 2-Prong (AT015)
8	1	958-215	Bracket, Reservoir - XT				
9	1	849-272	Fitting, Bulkhead 90 Degree				
10	1	849-273	Hose, Washer 3/16"				
11	1	849-274	Reservoir, Washer W/Pump				
12	1	958-130HDW	Hardware, Wiper Washer XTI				
13	2	120-13	Rivet - 3/16 X 3/4 Black				
14	4	120-04	Washer .19x.50x.08 Zn				

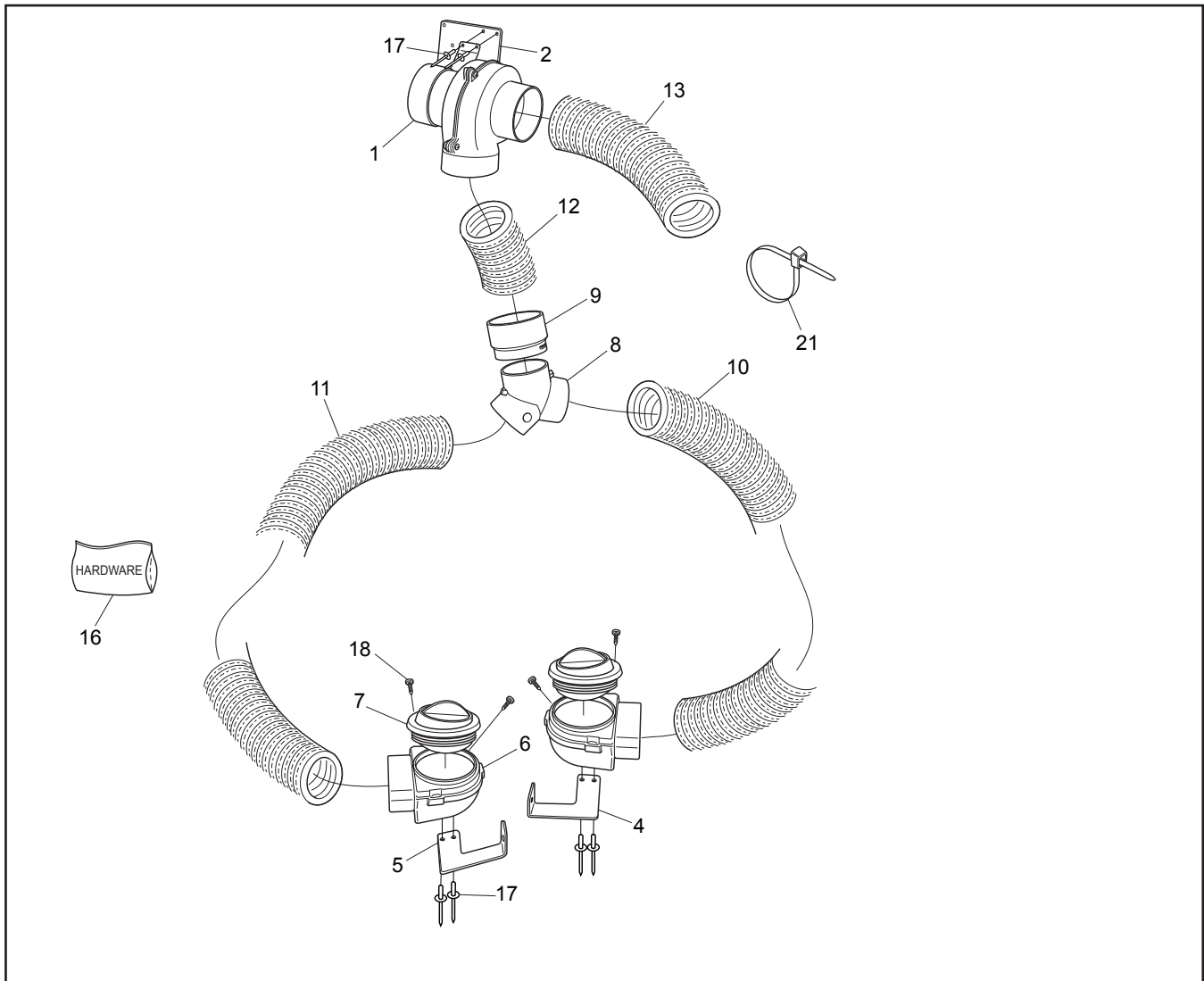


Ref.	Qty.	Part #	Description
1	2	613-208	Light, Brake/Tail LED Oval
2	2	952-221	Bracket, Brake Light Oval
3	1	624-28	Harness, Brake Light Switch XT
4	1	624-29	Wire Harness, Brake Light - XT
5	1	613-165	Switch, Brake Light - HDI
8	1	958-147HDW	Tail & Brake Light Hardware
9	6	100-64	Tie Wrap - 5.5" - Black
10	3	126-93	Clamp, Nylon Wire - 1/2" ID
11	3	120-13	Rivet - 3/16 x 3/4 Black
12	8	120-11	Rivet, 5/32 x .157-.472
13	8	108-28	Washer .156x.375x.047 Zn
14	4	112-102	Screw, Self Drill 12-14 x 3/4"
15	4	103-55	HHCS 5/16-18 x 2.75 Gr5 Zn
16	4	108-24	Washer .34 x .70 x .06 Zn
17	4	117-21	Locknut, Nylon 5/16-18 Zn

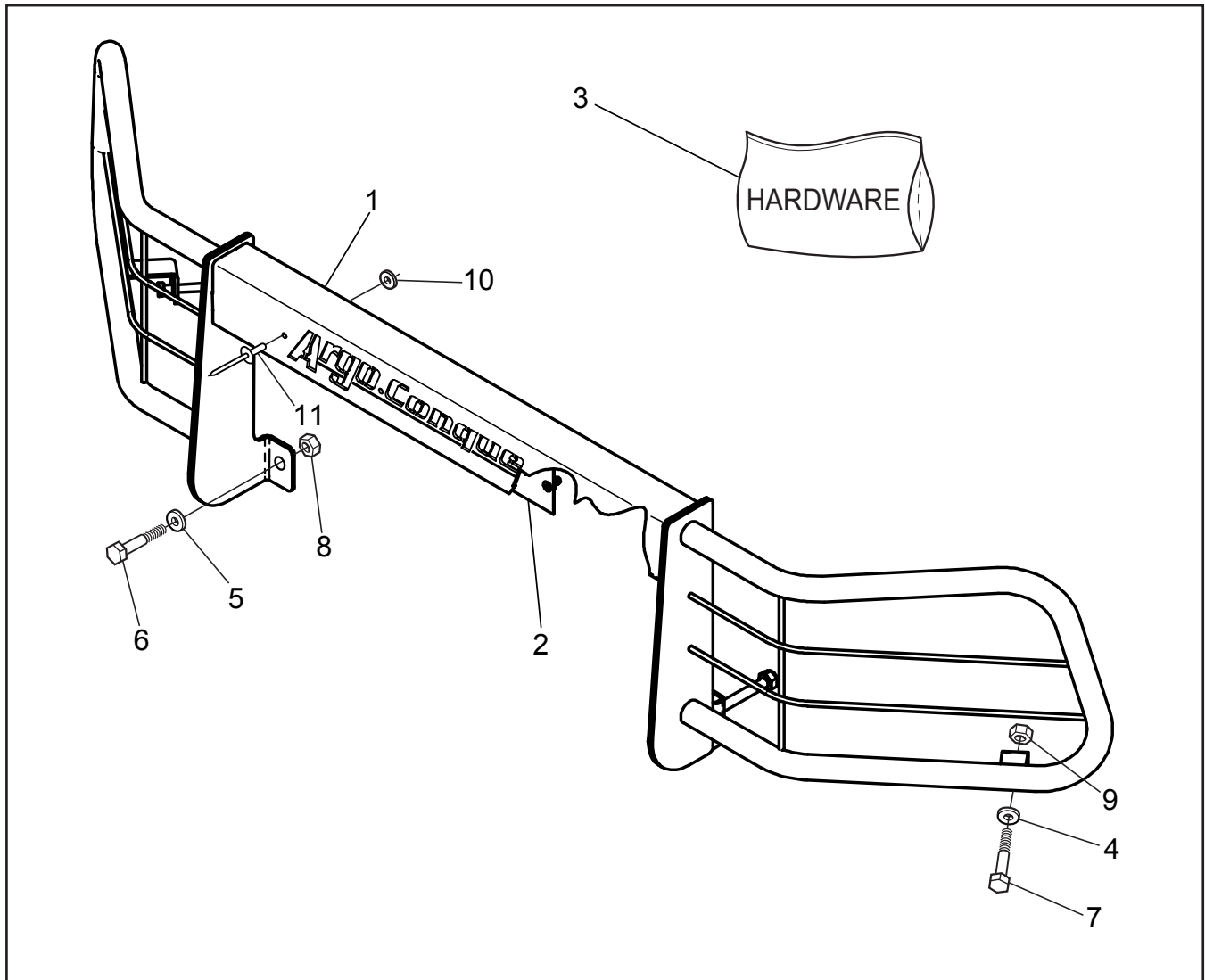


Ref.	Qty.	Part #	Description
1	1	958-127	Heater Box W/Core
2	1	953-56	Fan, Blower Heater
3	2	953-57	Louver, Heater Vent
4	2	953-58	Plenum, Defroster
5	2	953-59	Grill, Vent Defrost
6	1	613-157	Switch, Heater Fan
7	1	613-167	Ground Wire, Heater Switch
8	1	613-204	Wire Harness, Heater - XT
9	1	953-61	Hose, Inlet 3" x 24"
10	2	953-66	Hose, Duct Defrost 2.5" x 12"
11	2	953-60	Hose, Heat 2.5" x 36"
12	1	953-84	Heater Outlet Housing
13	1	953-85	Gasket, Outlet Housing
14	2.5	848-13RM	Hose, Heater - 5/8"ID x 250' lg
15	1	953-86	Fitting, Return Port
16	1	953-87	Gasket, Return Port
17	.5	958-162	Hose, Heater 1/2" ID RM
18	1	952-243	Bracket, Fan Single XTD
19	1	952-244	Bracket, Fan Double XTD
22	1	958-156HDW	HDW, Heater/Defroster - XT
23	3	848-64	Barb, Hose 5/8 x 3/8NPT x 45 Elbow

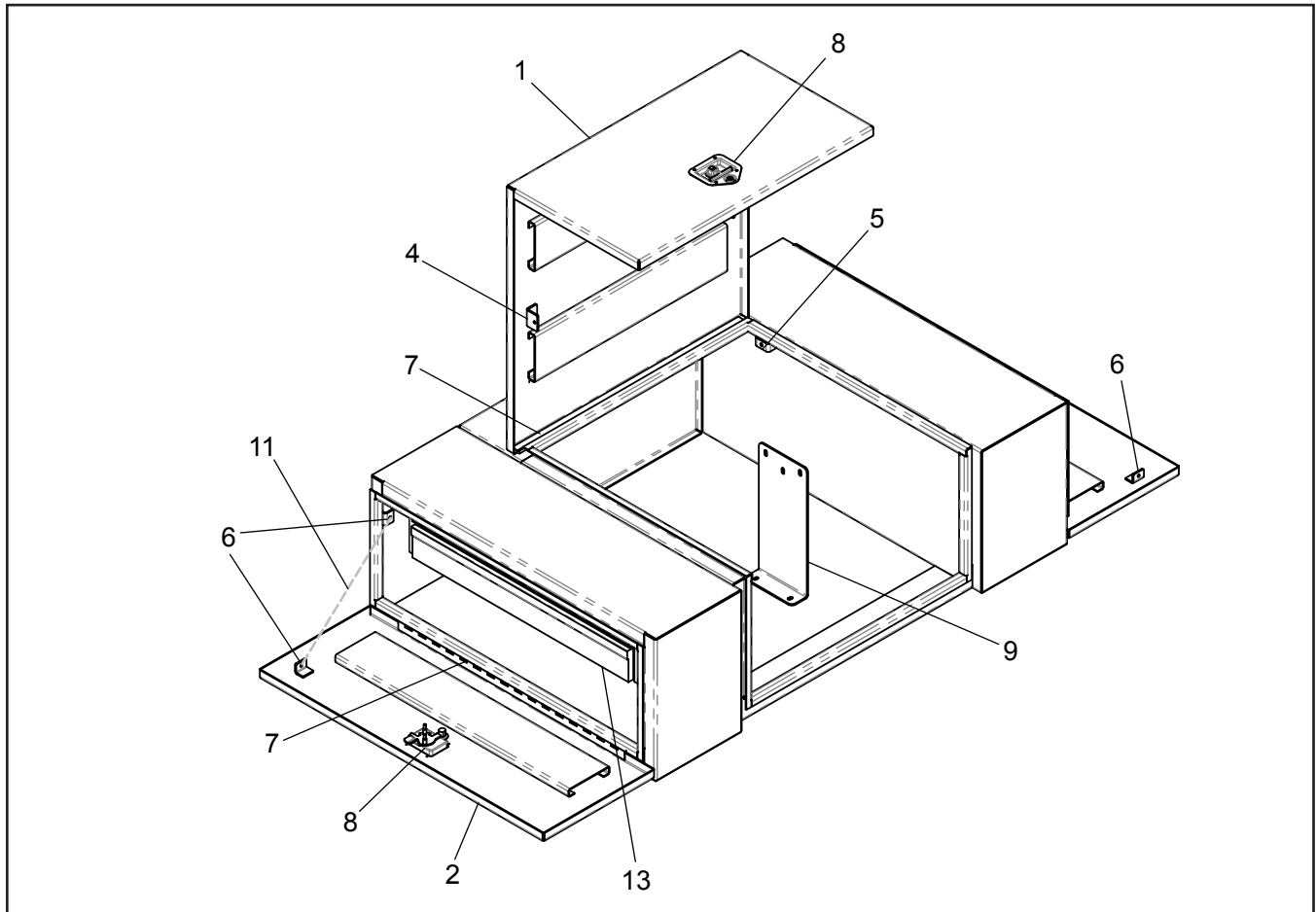
Ref.	Qty.	Part #	Description
24	8	638-16	Clamp, Gear 5/8" HF-10
25	2	117-27	Locknut, Nylon 1/4-20 Zn
26	2	112-04	HHCS 1/4-20 x 3/4 Gr5 Zn
27	8	103-24BL	OHPS T/S #6 x 1.0 Black Zn
28	3	103-48	T/S Pan HD Phil #10 x 5/8 A Blk
29	1	848-113	Valve, Shutoff
30	2	120-15	Rivet - 1/8 x 7/16
31	5	100-102	Tie Wrap - 14" - White - 50lb
32	1	118-49	Fuse, 15A 2-Prong (AT015)
33	1	952-218	Tool, Layout Defroster
34	1	952-219	Template, Defroster Location
35	1	952-220	Template, Heater Fan Install
36	1.5	601-107RM	Trim, Neoprene
37	1	848-31	Barb, Beaded Hose 90 Elbow - NPT
38	3	108-03	Lockwasher 1/4 Split Ring Zn
39	1	958-163	Fitting, Reducer 5/8 -1/2 Barb
40	3	112-220	HHCS M6x1x20mm Gr8.8 Zn
41	1.3	126-60	Vinyl Strip 1/2"x1/4"
42	3	120-04	Washer .19 x .50 x .08 Zn



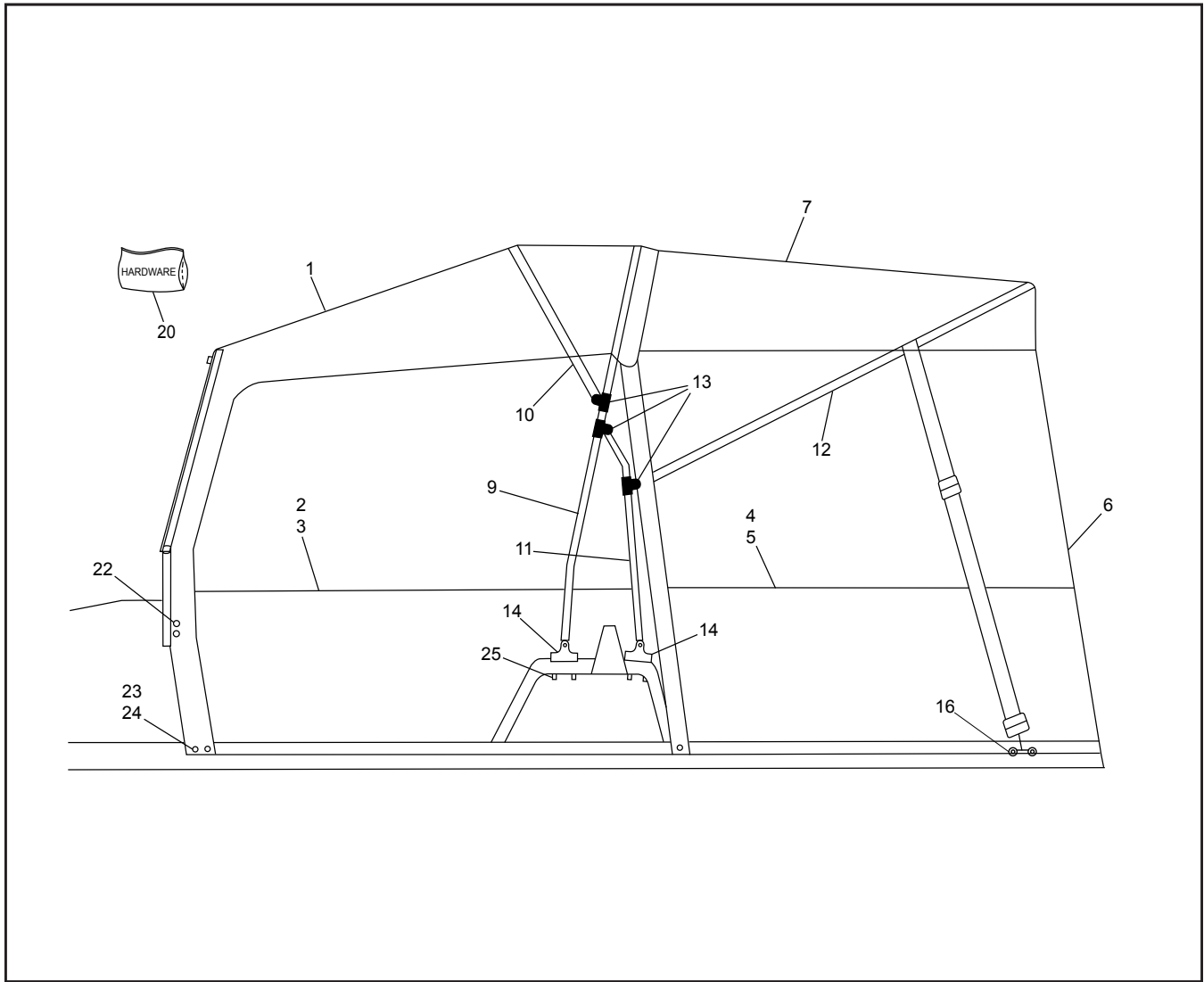
Ref.	Qty.	Part #	Description	Ref.	Qty.	Part #	Description
1	1	127-184	Blower Fan c/w Mtg Bracket	16	1	958-157HDW	Hardware, Service Brake Cooling XT
2	1	952-247	Bracket, Fan Brake Cooling	17	12	120-14	Rivet - 3/16 x 5/8 Black
3	1	613-221	Wire Harness, Brake Cooling XT	18	4	112-139	OHPS T/S #4X5/8 Black Zn
4	1	952-246	Bracket, Cooling Duct LH	19	1	118-02	Terminal, Male - #76-1251
5	1	952-248	Bracket, Cooling Duct RH	20	1	118-03	Terminal, Female - #76-1289
6	2	864-06	Duct, Brake Cooling	21	9	100-102	Tie Wrap - 14" - White - 50lb
7	2	864-07	Louver, Brake Cooling				
8	1	864-04	Fitting, 2.5" Hose Y				
9	1	864-05	Fitting, Hose Reducer 3" -2.5"				
10	1	864-08	Hose, Brake 2.5" x 24"				
11	1	864-09	Hose, Brake 2.5" x 48"				
12	1	864-10	Hose, Brake 3" x 6"				
13	1	864-12	Hose, Brake 3" x 48"				



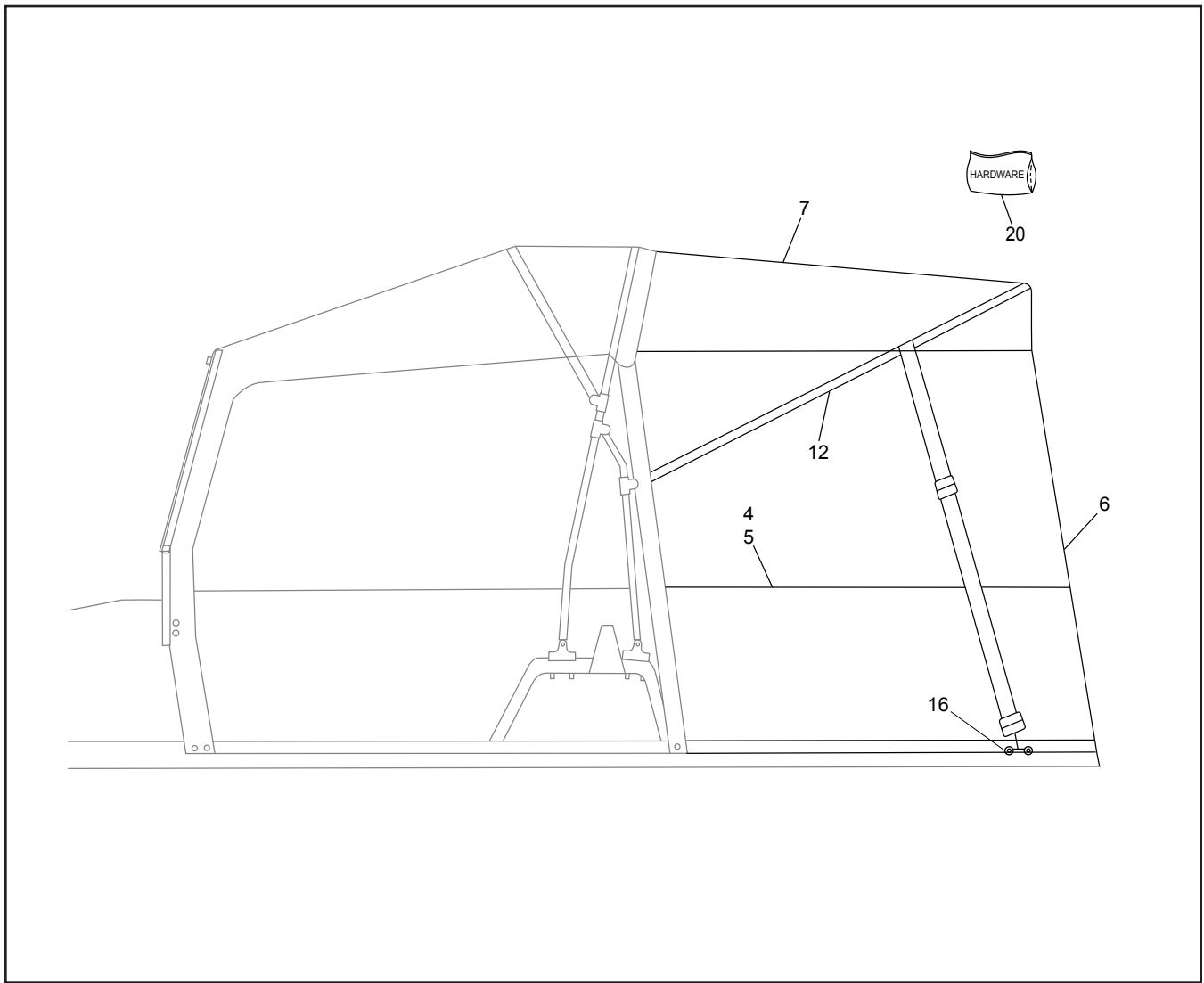
Ref.	Qty.	Part #	Description	Ref.	Qty.	Part #	Description
1	1	958-158	Brushguard, One Piece - XT	11	3	120-14	Rivet - 3/16 x 5/8 Black
2	1	958-128	Plate, Name Backer				
3	1	958-01HDW	Brushguard Hardware, XTI				
4	2	108-12	Washer .34x1.00x.06 Zn				
5	2	108-26	Washer .43x1.02x.09 Zn				
6	2	112-142	HHCS M10x1,5x80mm Zn Full Thrd				
7	2	112-167	HHCS M8x1,25x80mm Zn				
8	2	117-60	Locknut, Nyloc M10x1.5mm Zn8				
9	2	117-77	Locknut, Nylon - M8x1,25mm Zn				
10	3	120-04	Washer .19x.50x.08 Zn				



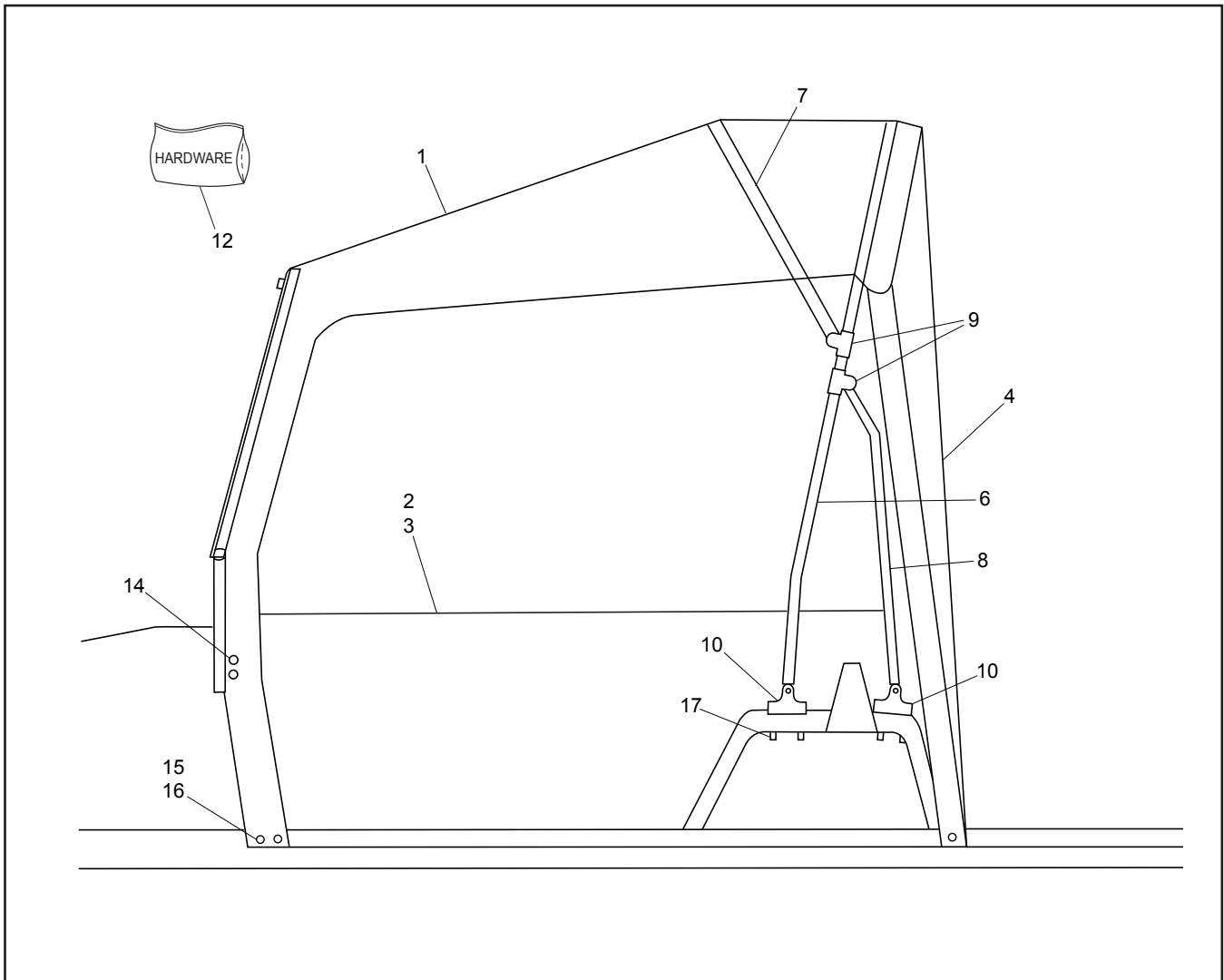
Ref.	Qty.	Part #	Description
1	1	WB-L005	Top Lid
2	2	WB-S003	Side Door
3	1	WB-001	Shelf
4	2	WB-002	Lid Top Gas Shock Bracket
5	2	WB-003	Lid Side Gas Shock Bracket
6	4	WIL-4040	Chain Holder Bracket
7	3	7510071	Piano Hinge
8	3	21509	Teardrop Lock
9	1	WB-004	Mounting Bracket & Hardware
10	1	WB-005	Hoop Clamp Bracket & Hardware
11	2	45071	Door Chain
12	2	NSK725V90M	18.5" Gas Shock
13	1	958-169	Optional Drawer



Ref.	Qty.	Part #	Description	Ref.	Qty.	Part #	Description
1	1	958-173	Panel, Canvas - Front Roof	12	1	958-186	Frame, Rear Roof Supt Pole
2	1	958-174	Panel, Canvas - RH FR Door	13	3	958-187	Jaw Slide W/ Fasteners
3	1	958-175	Panel, Canvas - LH FR Door	14	4	958-188	Brkt, Nyl Convex Straight Tapped
4	1	958-177	Panel, Canvas - RH RR Door	15	2	958-189	Brkt, Nyl Convex Curved Drilled
5	1	958-178	Panel, Canvas - LH RR Door	16	2	958-190	Brkt, Stl Flat Straight Tapped
6	1	958-179	Panel, Canvas - 4P RR Window	20	1	958-171HDW	XT Canv Encl - 4 Person Hardware
7	1	958-180	Panel, Canvas - Rear Roof	21	25	627-02	Dome Snaps Clip, Windshield
8	1	958-182	Boot, Canvas - 4 Person	22	4	627-10	Dome Stud #8 x 3/8" #688
9	1	958-183	Frame, Main Pole	23	45	958-144	Dome, Blank
10	1	958-184	Frame, Front Roof Supt Pole	24	45	120-20	Rivet - 1/8 x 1/4
11	2	958-185	Frame, Main Pole Supt	25	12	112-102	Screw, Self Drill 12-14 x 3/4"



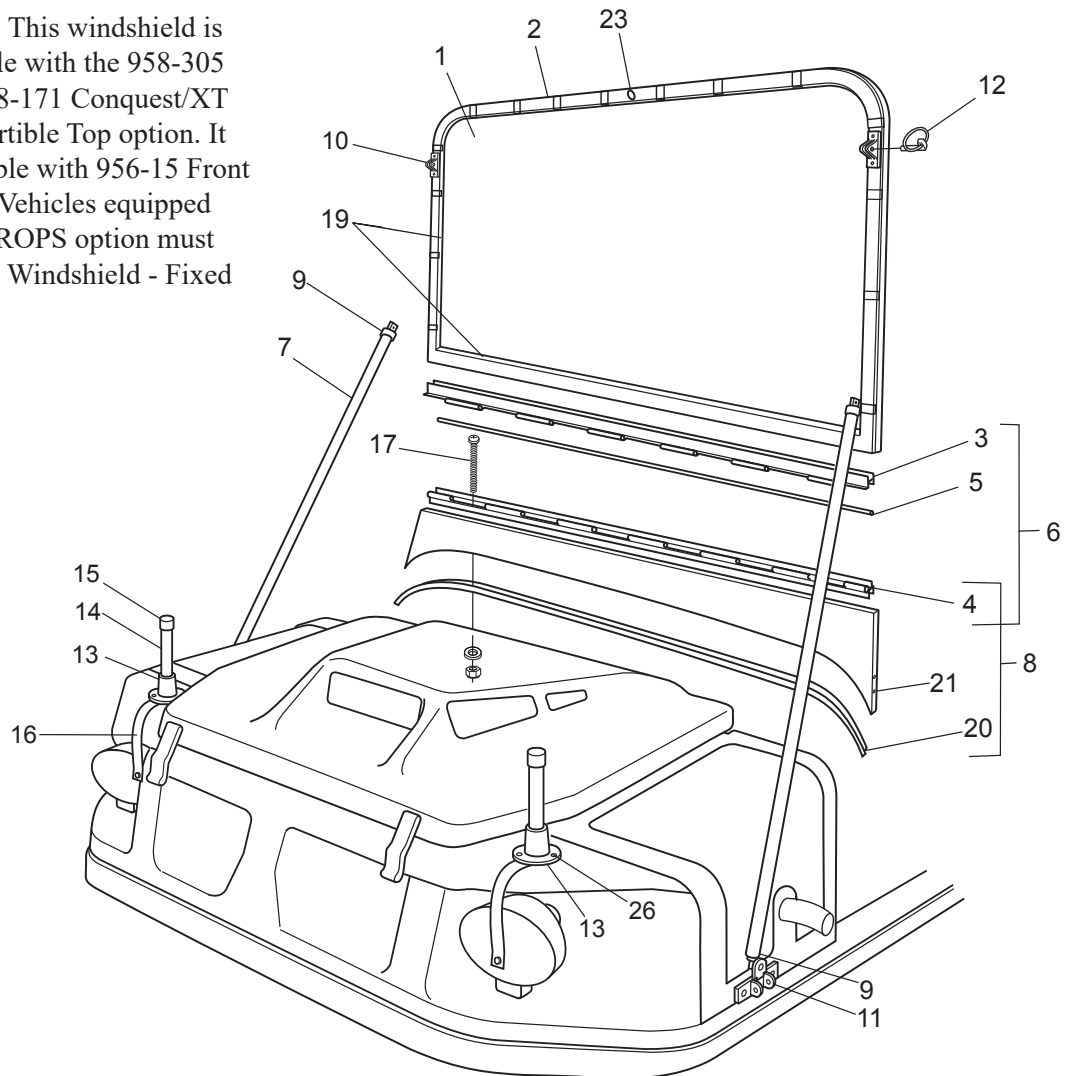
Ref.	Qty.	Part #	Description
4	1	958-177	Panel, Canvas - RH RR Door
5	1	958-178	Panel, Canvas - LH RR Door
6	1	958-179	Panel, Canvas - 4P RR Window
7	1	958-180	Panel, Canvas - Rear Roof
8	1	958-182	Boot, Canvas - 4 Person
12	1	958-186	Frame, Rear Roof Supt Pole
16	2	958-190	Brkt, Stl Flat Straight Tapped
20	1	958-172HDW	Soft Canv Encl - 2 to 4 Conv. Hardware
23	21	958-144	Dome, Blank
24	21	120-20	Rivet - 1/8 x 1/4
25	4	112-102	Screw, Self Drill 12-14 x 3/4"



Ref.	Qty.	Part #	Description
1	1	958-173	Panel, Canvas - Front Roof
2	1	958-174	Panel, Canvas - RH FR Door
3	1	958-175	Panel, Canvas - LH FR Door
4	1	958-176	Panel, Canvas - 2P RR Window
5	1	958-181	Boot, Canvas - 2 Person
6	1	958-183	Frame, Main Pole
7	1	958-184	Frame, Front Roof Support Pole
8	2	958-185	Frame, Main Pole Support
9	3	958-187	Jaw Slide W/ Fasteners
10	4	958-188	Bracket, Nylon Convex Straight Tapped

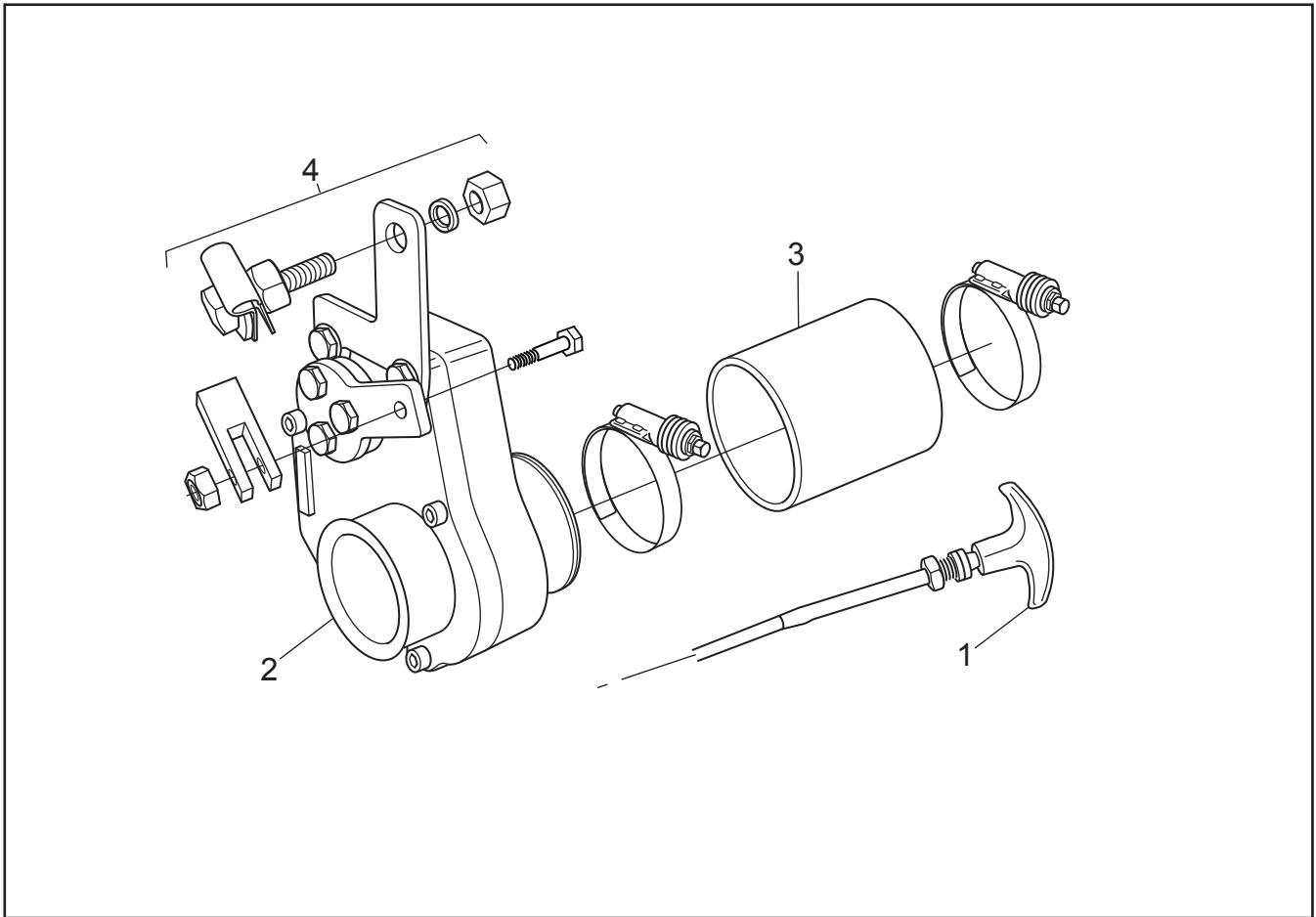
Ref.	Qty.	Part #	Description
12	1	958-191HDW	XT Canv Encl - 2 Person Hardware
13	25	627-02	Dome Snaps-Clip, Windshield
14	4	627-10	Dome Stud #8 x 3/8" #688
15	30	958-144	Dome, Blank
16	30	120-20	Rivet - 1/8 x 1/4
17	12	112-102	Screw, Self Drill 12-14x3/4"

IMPORTANT: This windshield is only compatible with the 958-305 Outfitter or 958-171 Conquest/XT Canvas Convertible Top option. It is not compatible with 956-15 Front ROPS option. Vehicles equipped with the front ROPS option must use the 958-90 Windshield - Fixed



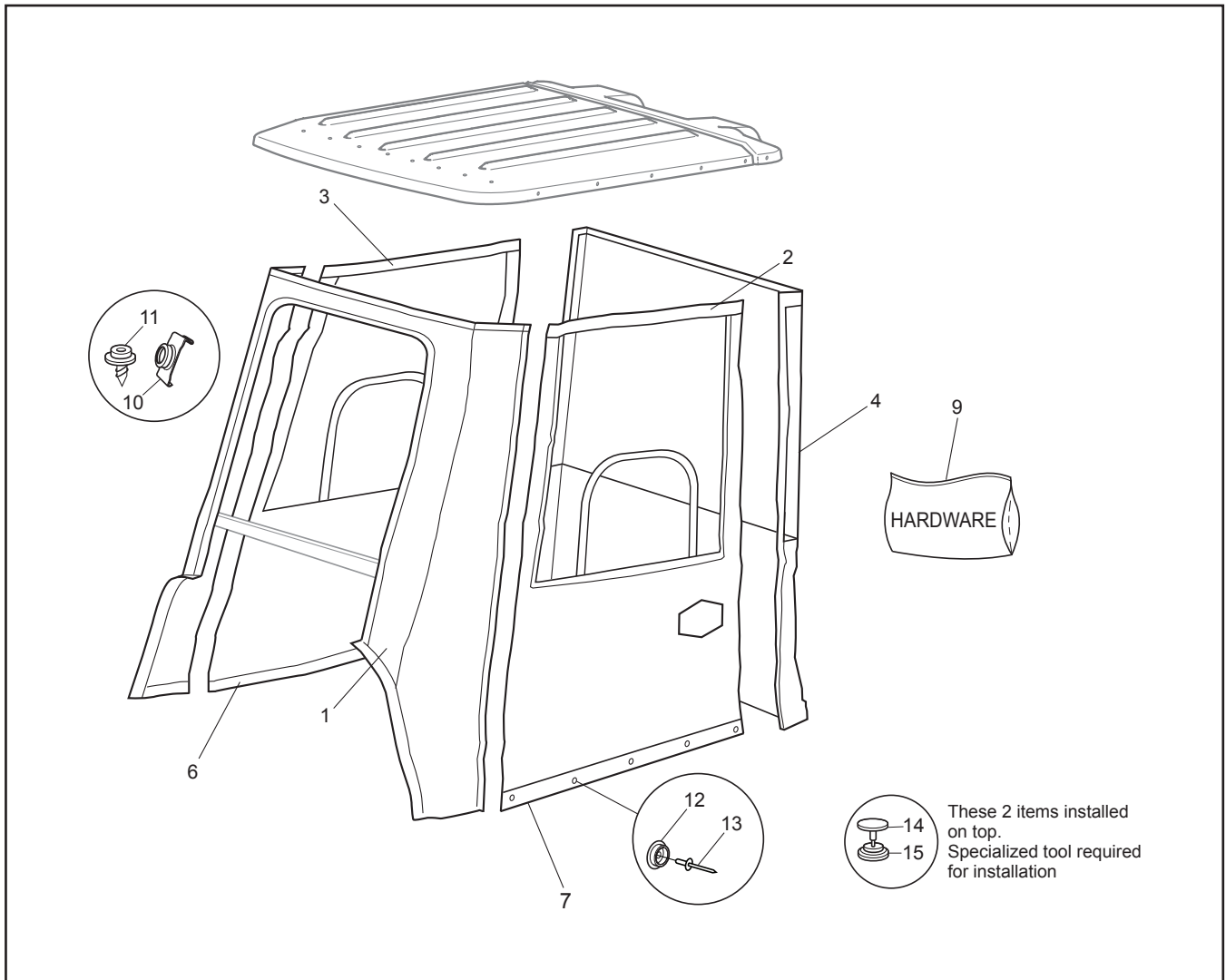
Ref.	Qty.	Part #	Description
1	1	002905-1C-XT	Acrylic, For 958-192 Windshield
2	1	002905-2B-XT	Top Bar - Black
3	1	002905-3B-XT	Hinge, Top - Black
4	1	002905-3A-B-XT	Hinge, Bottom+Gasket Inside
5	1	002904-3B-B-XT	Rod, Aluminium
6	1	002905-4B-XT	Hinge Set, Complete-Black (#3, 4 & 5)
7	2	002904-5B	Arm, Support (Black)
8	1	002905-6B-XT	Acrylic Base, Gasket and Bottom Hinge (#4 & 20)
9	4	002904-7B	Socket Ends & Gasket (Black)
10	2	002904-8A-B	Deck Brackets, Angled
11	2	002904-8C-B-180	Deck Bracket W/Screw 180 Deg.
12	2	627-03	Quik Pin 0269167

Ref.	Qty.	Part #	Description
13	2	002904-10B	Round Base Black
14	2	002904-11B-XT	Tube, Black
15	2	002904-12C	Cap, Black (Rubber)
16	2	002904-13B	Strap (Black)
17	2	002905-14A-XT	Bolt, SS 3.0 + Washer + Nut
18	2	002905-14B-XT	Bolt, SS 4.0 + Washer + Nut
19	1	002904-15-XT	Gasket, XT - Around Glass
20	1	002905-16-XT	Gasket, XT - Windshield to Body
21	5	002904-17	PHD Screw #8 1.25"
22	11	002904-18	PHD Screw #8 .75"
23	1	002904-19	Cap, Black (PVC) Wiper Hole
24	2	0029-20-XT	Retainer, Support Arm
25	6	2904-14A	Jack Nut same as 117-53 Nut, Jack 1/4-20 8L-JNS Zn
26	6	112-102	Screw, Self Drill 12-14 x 3/4"

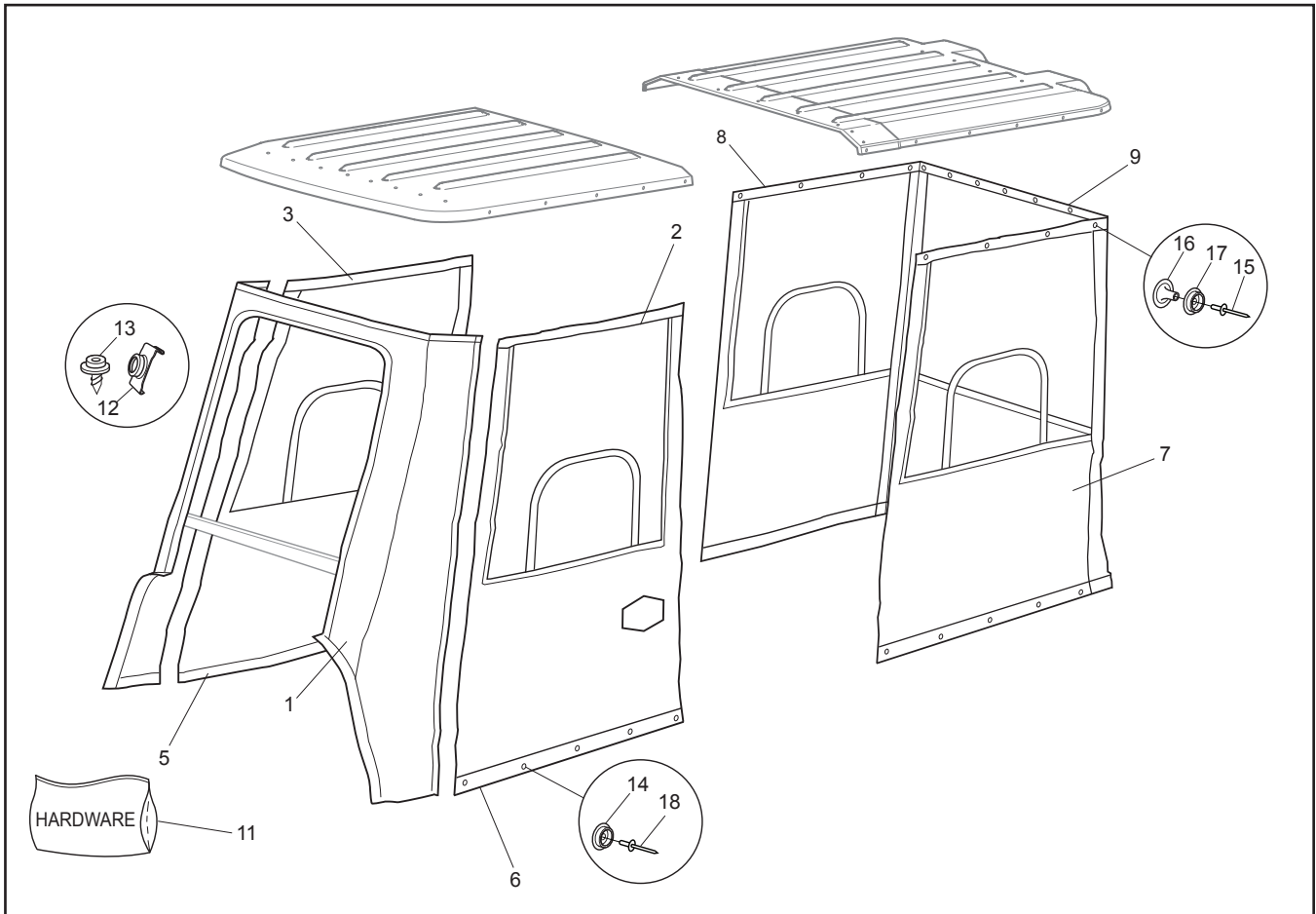


Ref.	Qty.	Part #	Description
1	1	958-201	Cable, Emergency Shutoff
2	1	958-202	Valve, Air Shutoff
3	1	958-203	Hose, Shutoff W/Clamps
4	1	958-204	Hardware, Shutoff Activation

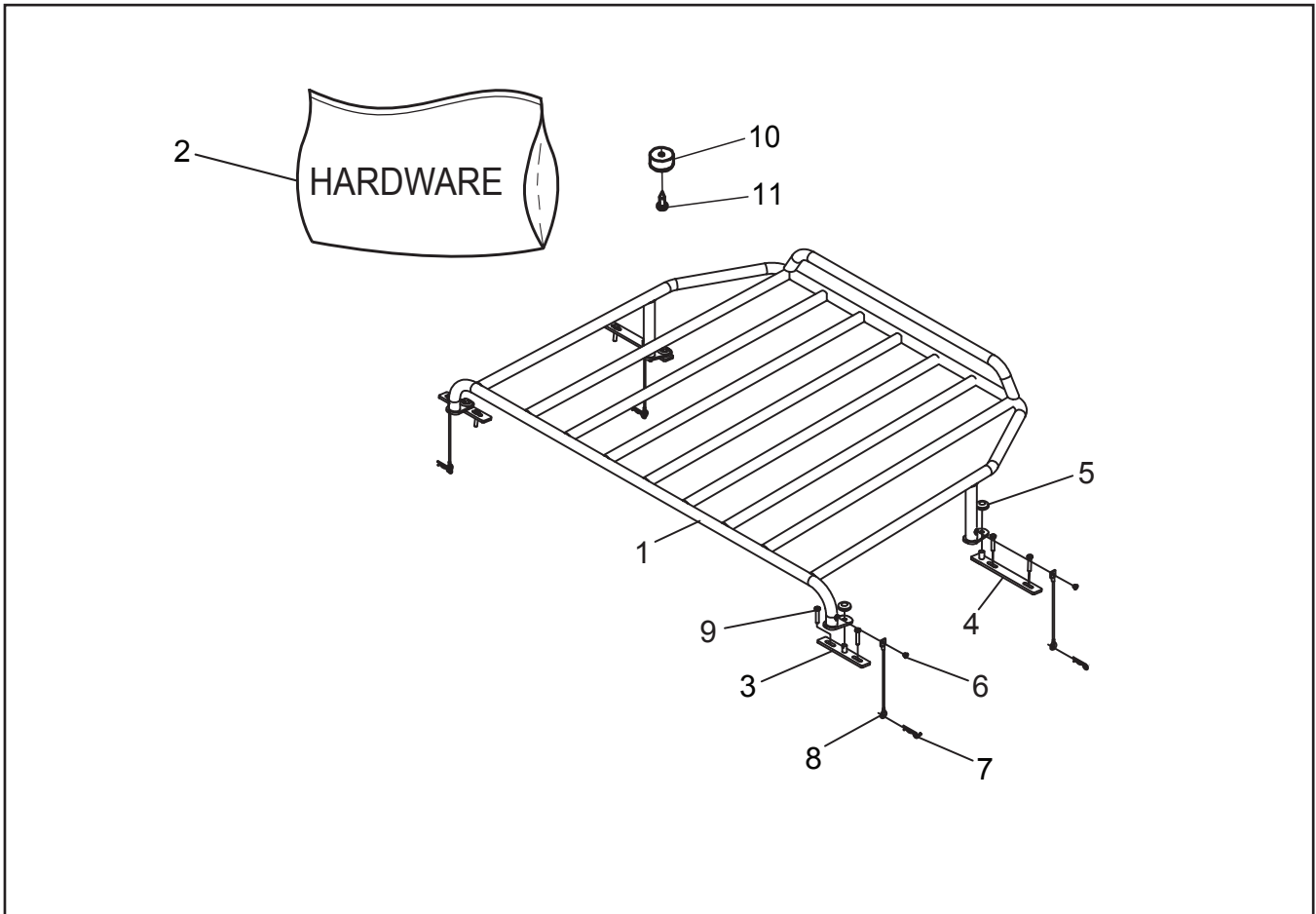
Conquest Acc. Manual 958-205 Two Person Canvas Enclosure



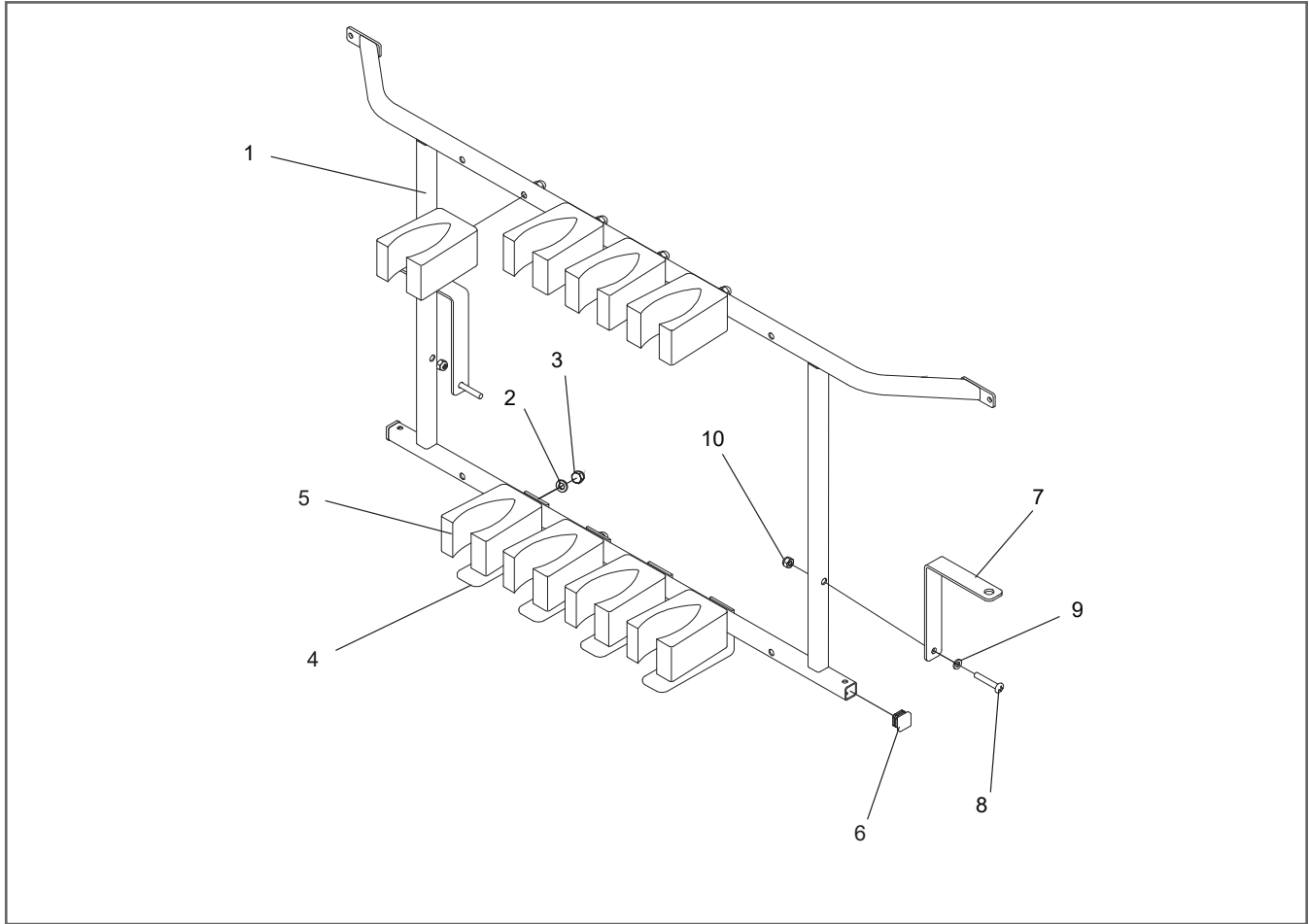
Ref.	Qty.	Part #	Description	Ref.	Qty.	Part #	Description
1	1	958-206	Mlding, Front W/S - BI Canvas	14	32	958-214	Cap, Dome - Long Post
2	1	958-207	Panel, LH - BI Canvas	15	32	958-213	Dome, Blank - Locking
3	1	958-208	Panel, RH - BI Canvas	16	24	120-33	Rivet, 1/8 x 1/2 Black
4	1	958-209	Panel, RR W/Window - BI Canvas				
5	1	958-212	Pouch, Parts - BI Canvas				
6	1	958-211	Mlding, RH Bot - BI Canvas				
7	1	958-210	Mlding, LH Bot - BI Canvas				
9	1	958-205HDW	Acc, 2 Person Encl - XT Hardware				
10	13	627-02	Dome Snaps-Clip, Windshield				
11	8	627-10	Dome Stud #8 x 3/8" #688				
12	32	958-144	Dome, Blank				
13	32	120-20	Rivet - 1/8 x 1/4				



Ref.	Qty.	Part #	Description
1	1	958-206	Molding, Front W/S - BI Canvas
2	1	958-207	Panel, LH - BI Canvas
3	1	958-208	Panel, RH - BI Canvas
4	1	958-212	Pouch, Parts - BI Canvas
5	1	958-211	Molding, RH Bot - BI Canvas
6	1	958-210	Molding, LH Bot - BI Canvas
7	1	958-218	Panel, Rear LH - BI Canvas
8	1	958-219	Panel, Rear RH - BI Canvas
9	1	958-220	Panel, RR 4 Person - BL Canvas
11	1	958-216HDW	Hardware, 4 Person Canvas Enclosure - XT includes:
12	13	627-02	Dome Snaps-Clip, Windshield
13	8	627-10	Dome Stud #8 x 3/8" #688
14	49	958-144	Dome, Blank
15	40	120-20	Rivet - 1/8 x 1/4
16	40	958-214	Cap, Dome - Long Post
17	40	958-213	Dome, Blank - Locking
18	41	120-33	Rivet, 1/8 x 1/2 Black

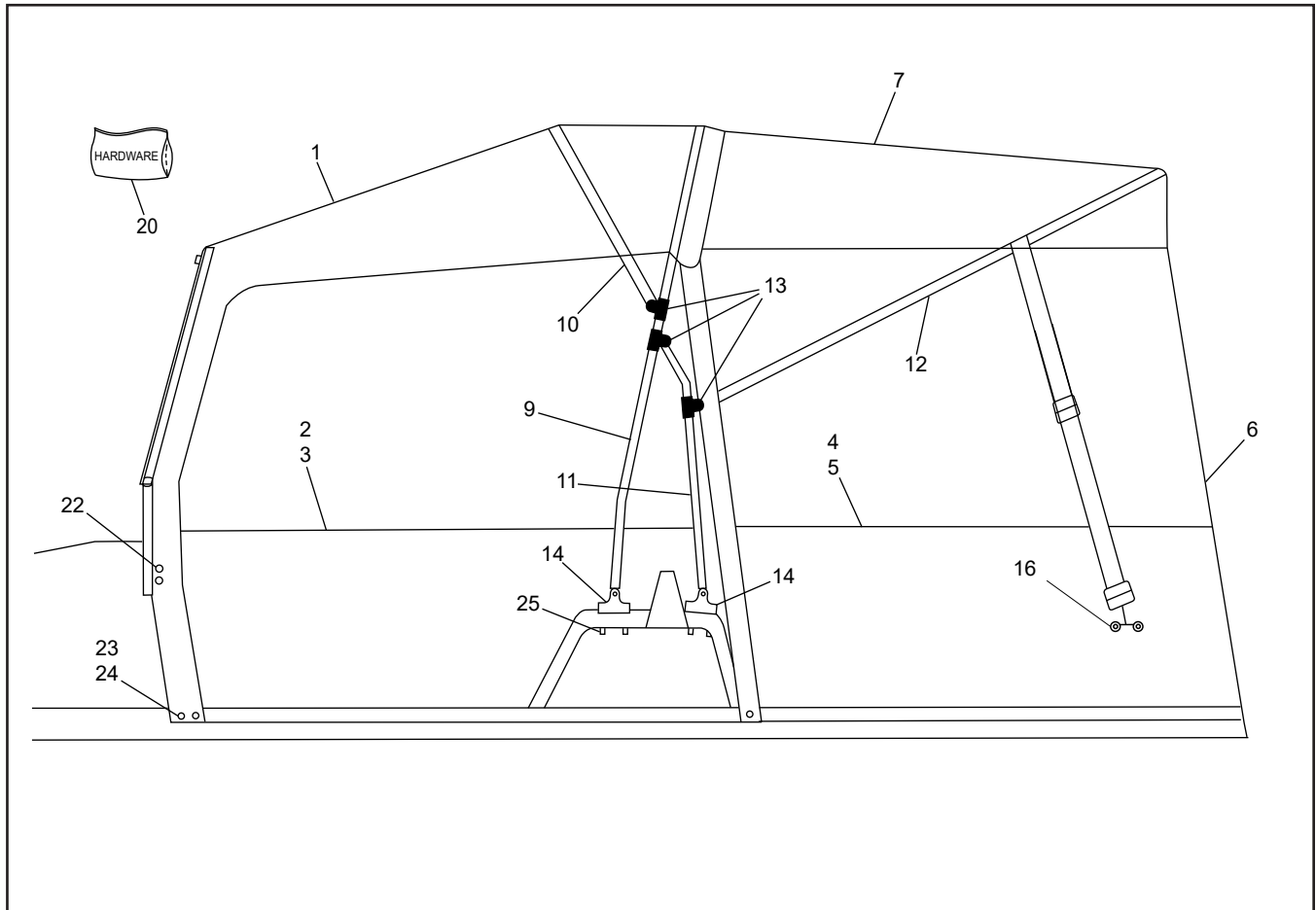


Ref.	Qty.	Part #	Description
1	1	958-223	Wldt, Hood Rack, XT
2	1	958-222HDW	Acc. Hood Rack, XT Hardware (incl. Ref. 3-11)
3	2	958-268	Wldt, Hood Rack Mount - Rear
4	2	958-269	Wldt, Hood Rack Mount - Front
5	4	127-132	Grommet, Rubber - 1/2" ID
6	4	120-31	Rivet, 3/16" x 1/4", Open End
7	4	100-16	Clip, Hitch Pin 1.625 Zn
8	4	104-80	Lanyard, 6" Loop, W/Tab
9	8	112-176	HHCS M6x1,0x30mm Zn
10	2	126-102	Bumper, Recessed Hole
11	2	103-48	T/S Pan Hd Phil #10x5/8 A Blk



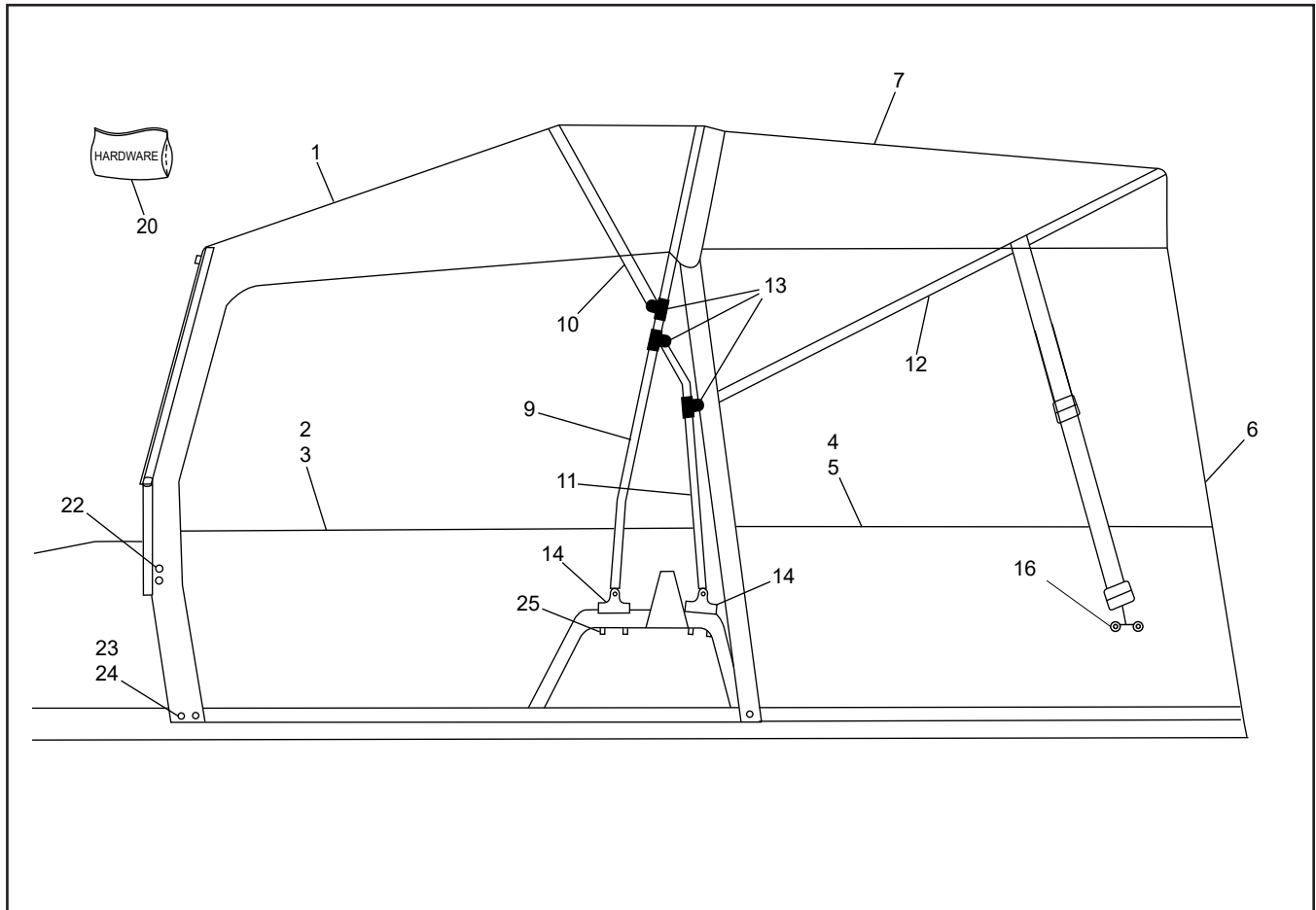
Ref.	Qty.	Part #	Description
1	1	958-238	Wldt, Gun Rack, XT
2	8	108-05	Lockwasher 5/16 Split Ring
3	8	642-75	Nut, Acorn 5/16-18 Blk Zn
4	4	848-206	Butt Plate
5	8	848-207	Sure Grip Head W/Velcro
6	2	867-18	Plug, End 3/4" Tube-Black
7	2	958-237	Brkt, Gun Rack Support, XT
8	2	108-03	Lockwasher 1/4 Split Ring Zn
9	2	103-03	PHMS 1/4-20x1.50 Zn
10	2	117-27	Locknut, Nylon 1/4-20 Zn

Conquest Acc. Manual 958-305 Convertible Top, Brn-Outfitter

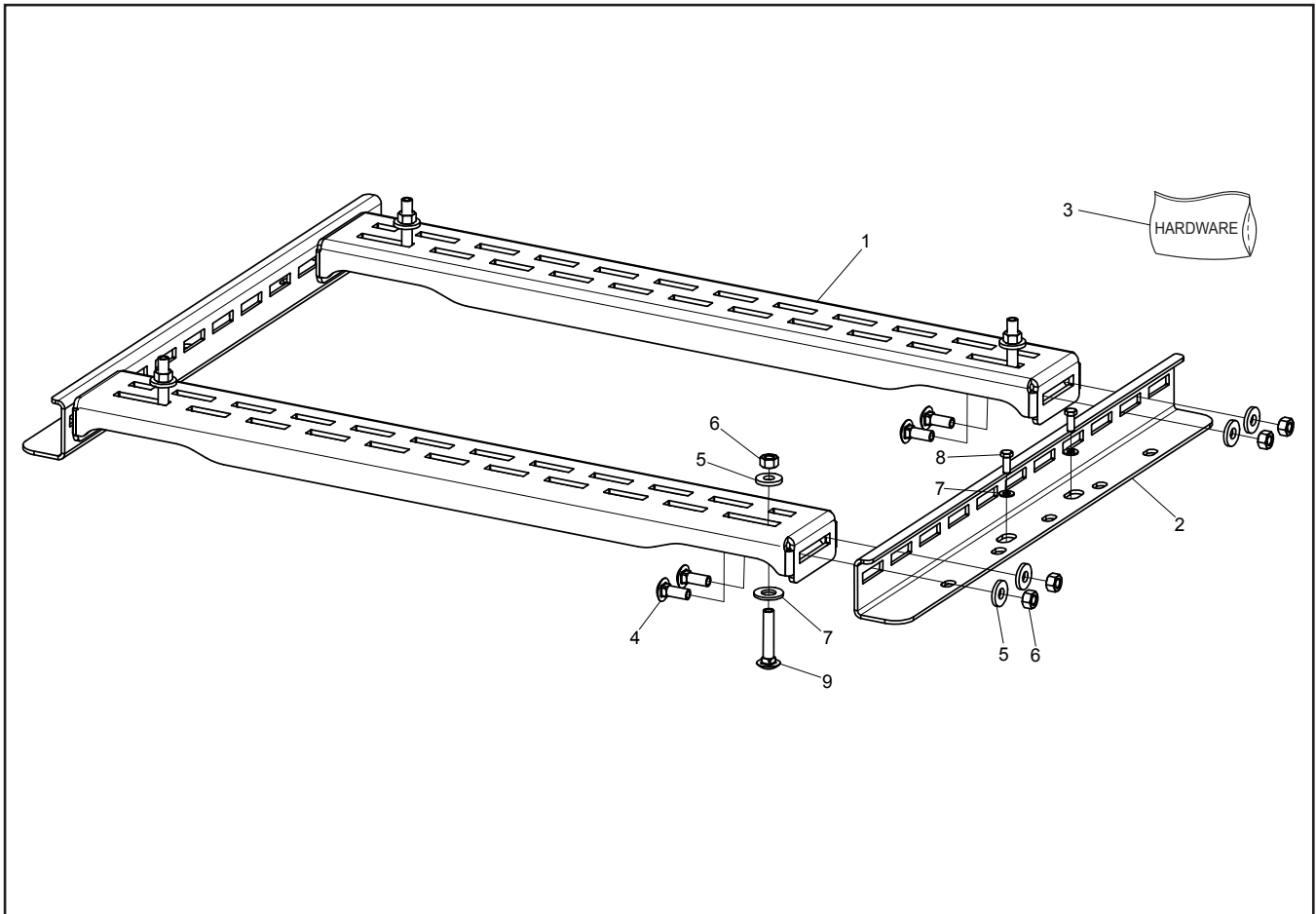


Ref.	Qty.	Part #	Description	Ref.	Qty.	Part #	Description
1	1	958-325	Panel, Canvas - Front Roof	14	4	958-188	Brkt, Nyl Convex Straight Tapped
2	1	958-326	Panel, Canvas - RH FR Door	15	2	958-189	Brkt, Nyl Convex Curved Drilled
3	1	958-327	Panel, Canvas - LH FR Door	16	2	958-190	Brkt, Stl Flat Straight Tapped
4	1	958-328	Panel, Canvas - RH RR Door	20	1	958-171HDW	XT Conv Top - 4 Person Hardware
5	1	958-329	Panel, Canvas - LH RR Door	21	25	627-02	Dome Snaps Clip, Windshield
6	1	958-330	Panel, Canvas - 4P RR Window	22	4	627-10	Dome Stud #8 x 3/8" #688
7	1	958-331	Panel, Canvas - Rear Roof	23	45	958-144	Dome, Blank
8	1	958-332	Boot, Canvas - 4 Person	24	45	120-20	Rivet - 1/8 x 1/4
9	1	958-333	Frame, Main Pole	25	12	112-102	Screw, Self Drill 12-14 x 3/4"
10	1	958-334	Frame, Front Roof Supt Pole				
11	2	958-335	Frame, Main Pole Supt				
12	1	958-336	Frame, Rear Roof Supt Pole				
13	3	958-187	Jaw Slide W/ Fasteners				

958-338 Convertible Top, Blk-Outfitter Conquest Acc. Manual



Ref.	Qty.	Part #	Description	Ref.	Qty.	Part #	Description
1	1	958-339	Panel, Canvas - Front Roof	14	4	958-188	Brkt, Nyl Convex Straight Tapped
2	1	958-340	Panel, Canvas - RH FR Door	15	2	958-189	Brkt, Nyl Convex Curved Drilled
3	1	958-341	Panel, Canvas - LH FR Door	16	2	958-190	Brkt, Stl Flat Straight Tapped
4	1	958-342	Panel, Canvas - RH RR Door	20	1	958-171HDW	XT Conv Top - 4 Person Hardware
5	1	958-343	Panel, Canvas - LH RR Door	21	25	627-02	Dome Snaps Clip, Windshield
6	1	958-344	Panel, Canvas - 4P RR Window	22	4	627-10	Dome Stud #8 x 3/8" #688
7	1	958-345	Panel, Canvas - Rear Roof	23	45	958-144	Dome, Blank
8	1	958-346	Boot, Canvas - 4 Person	24	45	120-20	Rivet - 1/8 x 1/4
9	1	958-333	Frame, Main Pole	25	12	112-102	Screw, Self Drill 12-14 x 3/4"
10	1	958-334	Frame, Front Roof Supt Pole				
11	2	958-335	Frame, Main Pole Supt				
12	1	958-336	Frame, Rear Roof Supt Pole				
13	3	958-187	Jaw Slide W/ Fasteners				



Ref.	Qty.	Part #	Description
1	2	959-05	Wld, X-Mbr - Universal Mount XT
2	2	959-03	Asm, Rail - Universal Mount
3	1	959-01HDW	Hardware, Universal Mount-XT
4	12	103-88	C/Bolt 3/8-16x1.0 Gr5 Zn
5	12	108-47	Washer .39x.94x.13 Zn Di-Chro
6	12	117-15	Nut, Fin Hex 3/8-16 Zn
7	8	108-35	Washer .53x1.06x.09 Zn
8	4	112-189	HHCS 1/2-13x1.25 Gr5 Zn
9	4	112-187	C/Bolt 3/8-16x2.0 Gr5 Zn

ARGO Products Manufactured by:

Ontario Drive & Gear Limited

220 Bergey Court

New Hamburg, Ontario

Canada N3A 2J5

Phone: (519) 662-2840

Fax: (519) 662-2421

www.argoxtv.com

ODG *Dedicated to quality and performance*