

***Conquest***



***Argo 8x8***

## **2022 PARTS MANUAL**

***Conquest 800/950 XT***

***Conquest 800/950 XT-X***

***Conquest 800/950 XT-L***

***Conquest 950 XT-T***

***Conquest 950 XT-I***

***Conquest 800/950 Outfitter***

# Foreword

ODG has prepared this parts manual for the Conquest models to assist both qualified mechanics and vehicle owners in ordering correct, quality replacement ARGO parts. For the most current parts manual visit our website at [www.argoxtv.com](http://www.argoxtv.com).

Proper and regular service, and replacing old, worn or broken parts with the correct ARGO replacement parts, are both essential to prolonging the life of the ARGO. Please refer to this parts manual and/or our website [www.argoxtv.com](http://www.argoxtv.com) before ordering any replacement part.

All information contained in this Conquest Parts Manual is based on the latest product specification available at time of printing. If your Conquest differs from the specifications contained in this manual, check our website [www.argoxtv.com](http://www.argoxtv.com) for the most current information.

ODG reserves the right to alter specifications on the Conquest models at any time, without obligation or prior notification.

Reproduction of this Conquest Parts Manual, in whole or in part, is prohibited without prior written permission from Ontario Drive & Gear Limited.

## Vehicle Identification

**Conquest** - 2022 Serial Nos. beginning at last 5 digits of V.I.N.

## Explanation of Parts Manual Format

**Ref** - Reference number between assembly diagram and component parts list

**Part No.** - Argo replacement part number for identification and re-ordering

**Description** - Part description for identification and re-ordering

**Qty** - Indicates the quantity of a part used in an assembly

# Conquest



## Using the Parts Manual

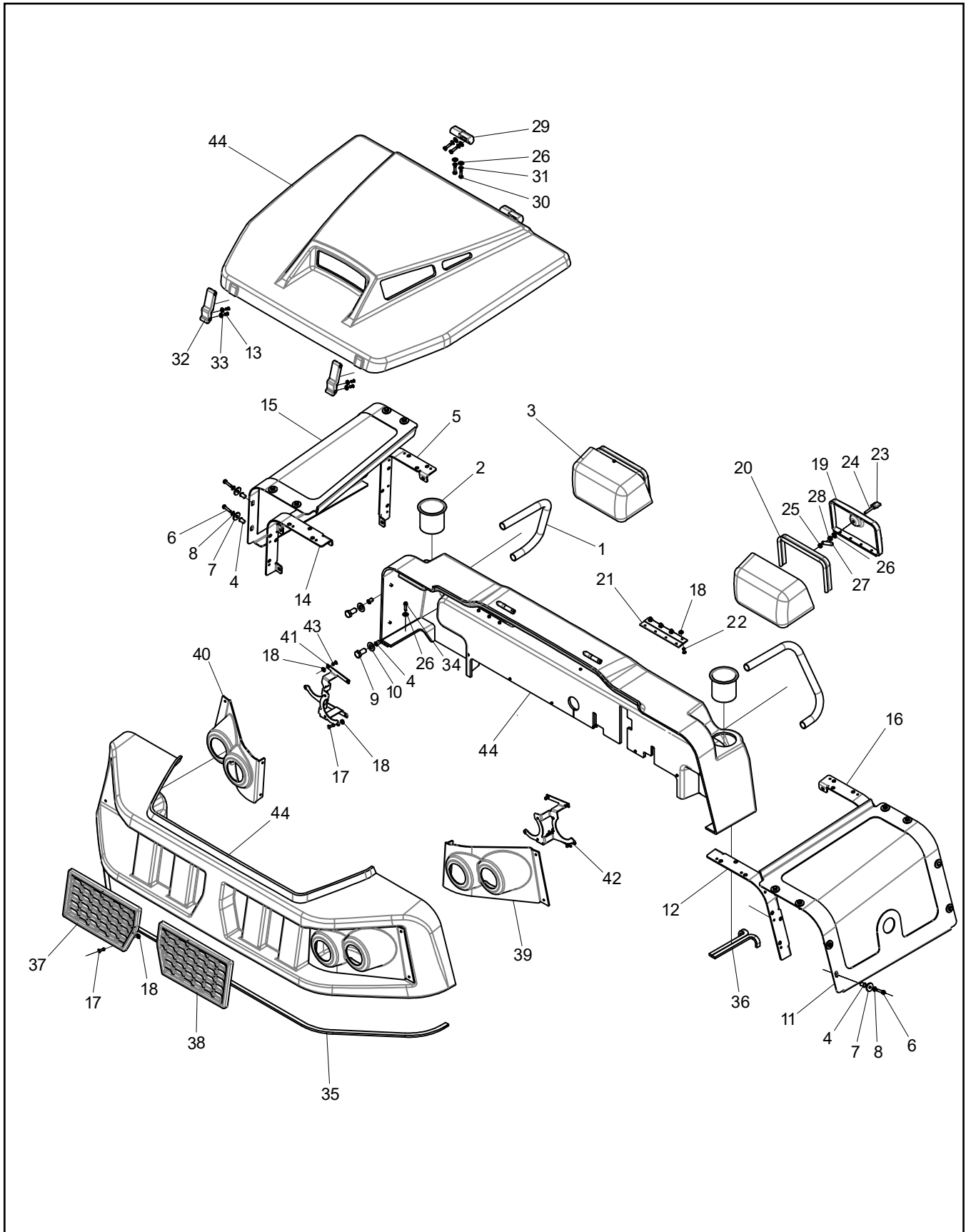
1. Find the major vehicle assembly in the Table of Contents on this page, and turn to that section.
2. Locate the part in the illustration that you wish to order.
3. Refer to the parts list in that section.
4. Find the correct part number (Part No.), part description (Description) and correct quantity (Qty).
5. Use *only* this information to order ARGO replacement parts. **DO NOT** attempt to order a replacement part by reference number or page number.

## Table of Contents

Foreword .....	i
Vehicle Identification.....	i
Using the Parts Manual .....	ii
1.0 Upper Body.....	2
2.0 Chassis.....	4
3.0 Lower Body.....	6
4.0 Axles.....	8
4.1 Axle Assembly.....	9
4.2 Driveline.....	10
5.0 Fuel System - 950.....	11
5.1 Fuel System - 800 .....	12
6.0 Intake - 950 .....	14
6.1 Intake - 800 .....	15
7.0 Exhaust - 950.....	16
7.1 Exhaust - 800.....	17
8.0 Covers.....	18
8.1 Covers - 800 .....	20
9.0 Wheel - Standard.....	21
9.1 Wheel - Turf Tire.....	22
9.2 Wheel - Aluminum Beadlock.....	23
9.3 Wheel - Steel Beadlock.....	24
9.4 Wheel - Steel Beadlock.....	25
10.0 Seat - Standard.....	26
10.1 Seat - Outfitter.....	27
11.0 Electrical.....	28
11.1 Wiring Diagram.....	30
12.0 Clutch.....	32
13.0 Engine - 950 .....	33
13.1 Engine - 800 .....	34
14.0 Transmission.....	36
14.1 Transmission Sub-Assemblies.....	38
14.2 Transmission & Hardware.....	40
15.0 Labels.....	42
15.1 Decals.....	43
15.2 Labels by Region.....	44
16.0 Outfitter Trim Package.....	46
17.0 XT-L Trim Package.....	48
18.0 Steering & Brakes.....	50

# 1.0 Upper Body

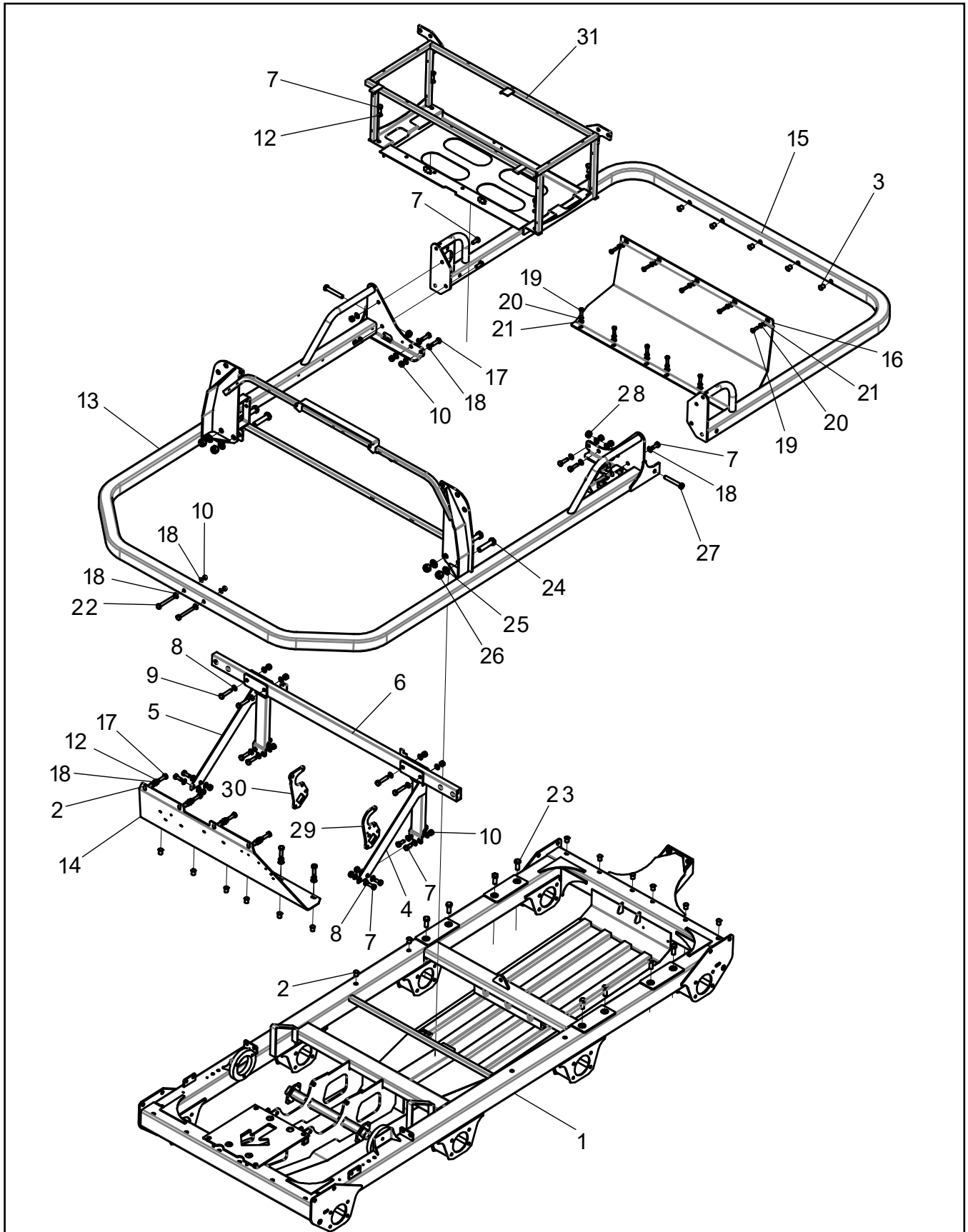
# 2022 Conquest Parts Manual



# 2022 Conquest Parts Manual

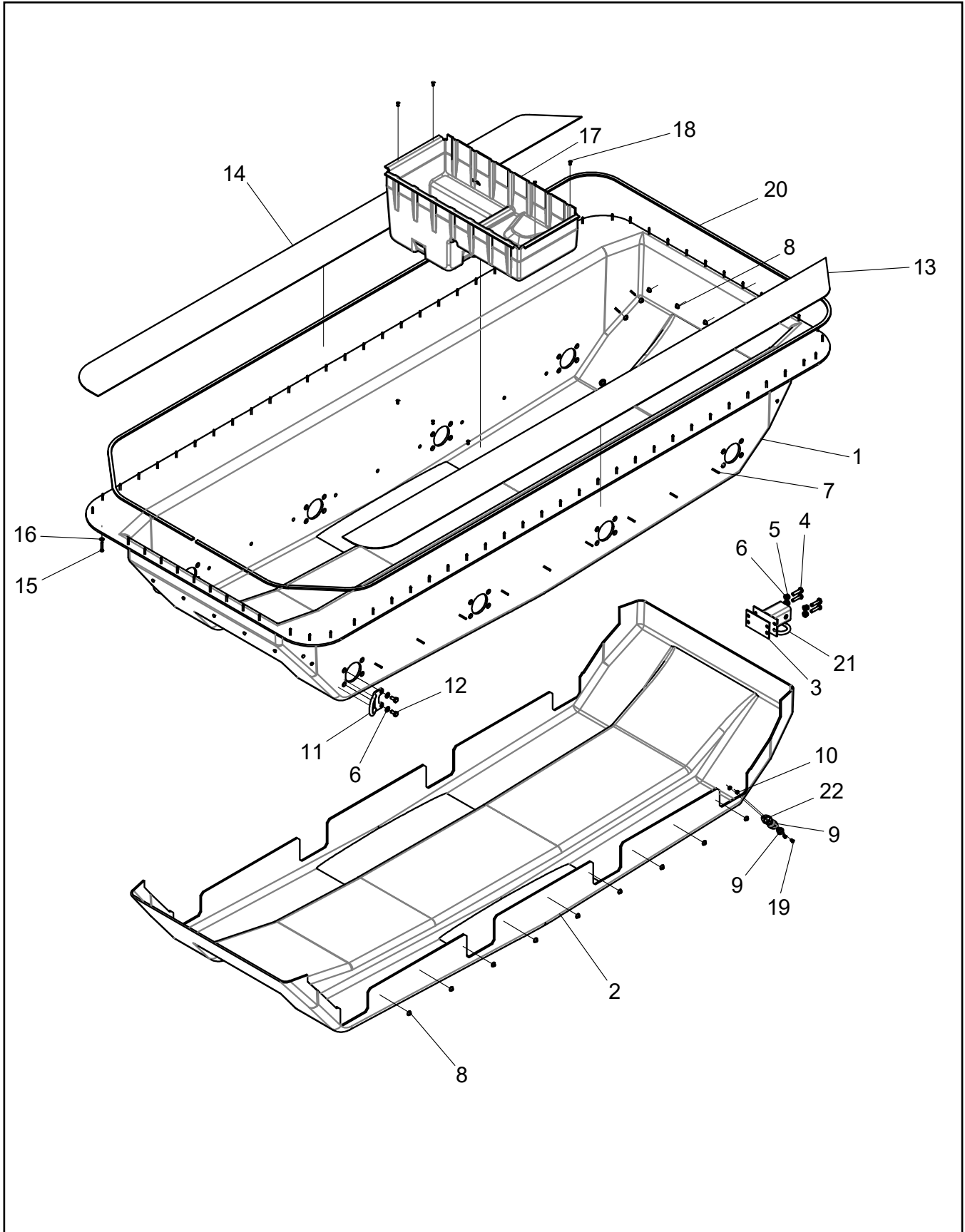
# 1.0 Upper Body

Ref.	Qty.	Part #	Description	Ref.	Qty.	Part #	Description
1	2	953-33	HANDLE, GRAB, TTN	34	10	112-110	SCREW, SELF DRILLING 12-14x1"
2	2	700-0234	CUP HOLDER INSERT	35	1	126-60-72	VINYL STRIP 1/2"x1/4"x72"
3	2	951-07	GLOVEBOX - TTN	36	2	126-60-7	VINYL STRIP 1/2"x1/4"x7"
4	22	117-79	INSERT, M6x1,0 -10 mm OD	37	1	700-0239	PANEL, GRILLE - RIGHT
5	1	952-234RM	BRKT, SCRNM ASM SUPT - RH RR RM	38	1	700-0238	PANEL, GRILLE - LEFT
6	16	112-212	HHCS M6X1X25mm, BLACK ZINC	39	1	700-0240	BEZEL, HEADLIGHT - LEFT
7	16	108-104	WASHER, 0.28IDX1.0ODX0.13, BLK	40	1	700-0241	BEZEL, HEADLIGHT- RIGHT
8	16	108-105	LOCKWASHER, 1/4 SPLIT, BLK ZN	41	1	300-0523	MOUNT, HEADLIGHT - RIGHT
9	4	112-151	HHCS 1/2-13x1" GR2 ZN	42	1	300-0524	MOUNT, HEADLIGHT - LEFT
10	4	108-35	WASHER .53x1.06x.09 ZINC	43	16	120-13	RIVET - 3/16 x 3/4 BLACK
11	1	950-40	ASM, SCREEN - LH XT	44	1	100-0171	SPECIFY COLOUR: DYL, RED, TUN, PRC
12	1	952-231RM	BRKT, SCRNM ASM SUPT - LH FR RM				
13	35	120-11	RIVET, 5/32 x .157-.472				
14	1	952-233RM	BRKT, SCRNM ASM SUPT - RH FR RM				
15	1	950-41	ASM, SCREEN - RH XT				
16	1	952-232RM	BRKT, SCRNM ASM SUPT - LH RR RM				
17	10	120-09	RIVET - 3/16 x 1.0 BLACK				
18	34	120-04	WASHER .19x.50x.08 ZINC				
19	2	951-08	COVER, GLOVEBOX - TTN				
20	2	126-107	SEAL, BULB, XT GLOVEBOX				
21	2	126-106	HINGE, PLASTIC, TTN GLOVEBOX				
22	16	120-14	RIVET - 3/16 x 5/8 BLACK				
23	2	126-104	KNOB, 2 ARM, 1/4"-20 INSERT				
24	2	126-105	STUD, 1/4-20 X 1.75 LG				
25	2	117-102	NUT, JAM, 1/4-20				
26	20	108-08	WASHER .28x.62x.07 ZINC				
27	2	953-34	CATCH, LATCH, TTN				
28	2	117-27	LOCKNUT, NYLON 1/4-20 ZINC				
29	2	127-88L	HINGE, ENGINE COVER - LEFT				
30	8	112-220	HHCS M6X1X20mm GR 8.8 ZINC				
31	8	108-03	LOCKWASHER 1/4 SPLIT RING ZNC				
32	2	602-56	LATCH, HOOD - SOFT DRAW				
33	4	120-05	WASHER .19x.50x.04 ZINC				



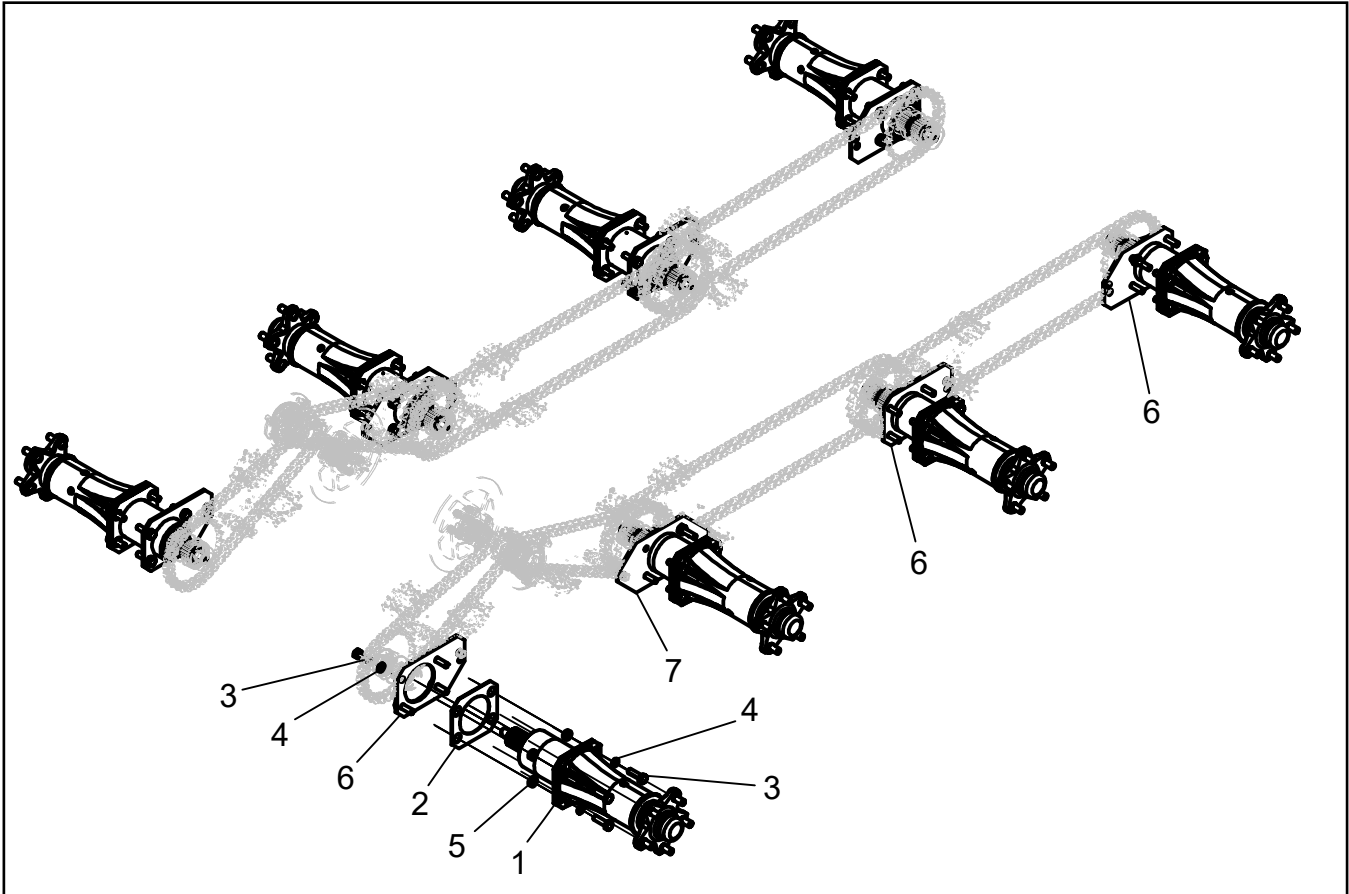
Ref.	Qty.	Part #	Description
1	1	300-0526	FRAME WLDT
2	14	117-70	INSERT, M10x1.5-13.5MM OD
3	11	117-69	INSERT, M8x1.25-13.5 mm OD
4	1	956-05	SUPPORT, ROPS VERTICAL, LH
5	1	956-06	SUPPORT, ROPS VERTICAL, RH
6	1	956-04	SUPPORT, ROPS, HORIZONTAL
7	14	112-93	HHCS M10x1,5x25mm
8	24	108-101	WASHER, 0.41x0.79x0.08, ZN
9	4	112-22	HHCS M10x1,5x50mm ZINC
10	22	117-60	LOCKNUT, NYLOC M10x1.5mm ZINC8
12	14	108-67	LOCKWASHER M10 SPLIT-RING ZNC
13	1	300-1074	WLDT, FRAME - UPPER
14	1	953-04	SUPPORT, FRONT, XT
15	1	950-33	FRAME UPPER, REAR WLDT TTN
16	1	953-41	BRACE, REAR XT
17	16	112-133	HHCS M10x1,5x35mmZN-8.8
18	28	108-15	WASHER .42x.81x.05 ZINC
19	11	112-20	HHCS M8x1,25x25mm ZINC
20	11	108-05	LOCKWASHER 5/16 SPLIT-RING BNZ
21	11	108-24	WASHER .34x.70x.06 ZINC
22	2	112-120	HHCS M10x1,5x80mm ZINC
23	8	112-189	HHCS 1/2-13x1.25 GR5 ZN
24	4	112-207	HHCS, M16x2x70mm
25	8	108-102	WASHER, 0.67x1.18x0.12, ZN
26	4	117-76	LOCKNUT, NYLON M16x2,0 ZN
27	2	112-205	HHCS M12X1.75X80mm ZN
28	2	112-206	LOCKNUT, NYLON, M12X1.75 ZN
29	1	953-01	MOUNT, SERVICE BRAKE CALIPER
30	1	300-0562	MOUNT, SERVICE BRAKE CALIPER
31	1	300-1124	SEAT FRAME, CONQUEST

### 3.0 Lower Body

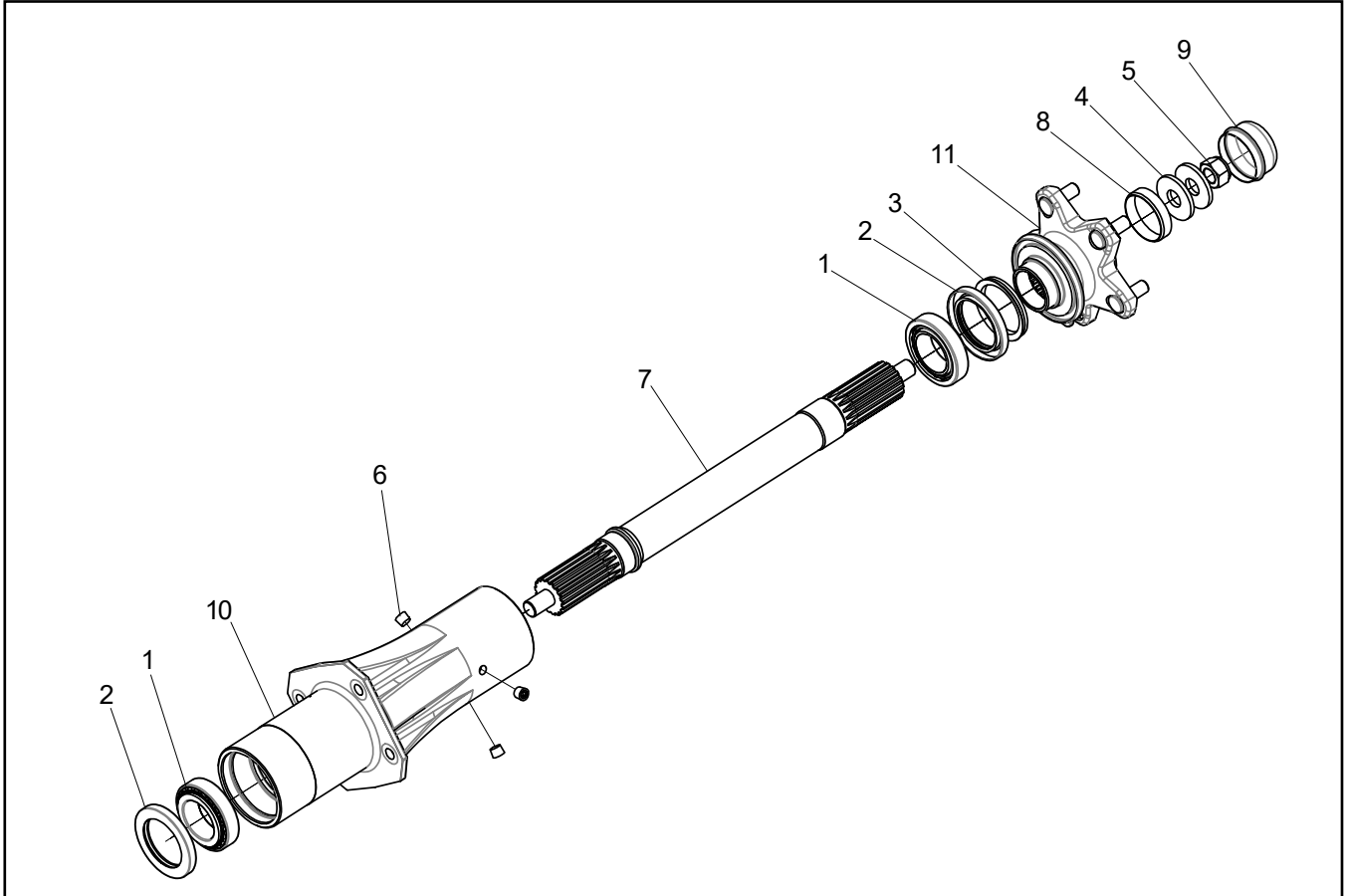




Ref.	Qty.	Part #	Description
1	1	951-15	BODY, LOWER - CENTAUR
2	1	801-123SKD	BODY, LOWER - CENTAUR
3	1	616-20	GASKET, REAR HITCH
4	4	112-92	HHCS M10x1,5x40mm ZN
5	4	108-67	LOCKWASHER M10 SPLIT-RING ZNC
6	8	108-15	WASHER .42x.81x.05 ZINC
7	36	120-27	PIN, MAGNA GRIP, BLACK ZINC
8	36	120-28	COLLAR, MAGNA GRIP BNZ
9	2	100-107	PLUG, DRAIN-FLANGED
10	4	120-04	WASHER .19x.50x.08 ZINC
11	2	642-84	TIE DOWN
12	4	112-137	HHCS M10x1,25x20mm ZN
13	1	801-195	MUD FLAP, 7" WIDE XT, RH
14	1	801-196	MUD FLAP, 7" WIDE XT, LH
15	80	112-125	SCREW, SELF DRILLING 12-14x1.5
16	80	108-08	WASHER .28x.62x.07 ZINC
17	1	951-09	TOOLBOX, TTN - BENCH SEAT
18	8	120-13	RIVET - 3/16 x 3/4 BLACK
19	4	10081A001	RIVET, 3/16 x 0.376 - 0.500 AL
20	1	126-60-314	VINYL STRIP 1/2 x 1/4 x 314"
21	1	300-0079	HITCH, RECEIVER
22	2	100-114	GASKET, DRAIN PLUG



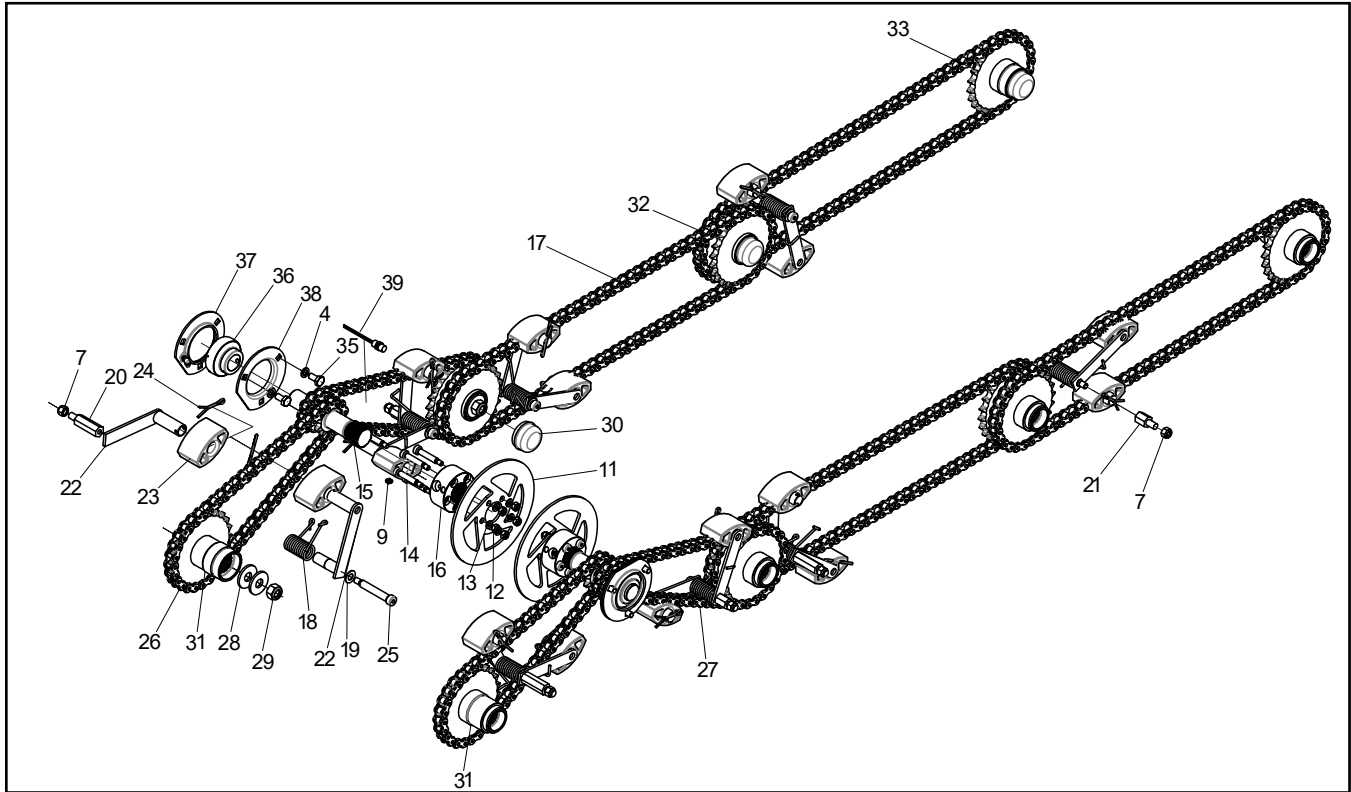
Ref.	Qty.	Part #	Description
1	8	805-148	AXLE ASM, OFFSET, CONQUEST
2	8	805-121	GASKET, AXLE ASY
3	65	112-133	HHCS M10x1,5x35mmZN-8.8
4	66	108-67	LOCKWASHER M10 SPLIT-RING ZNC
5	32	805-114	BUSHING, .75 x .58 x .25
6	6	953-21	FLANGE, AXLE, TITAN
7	2	953-22	FLANGE, 2POS, TITAN



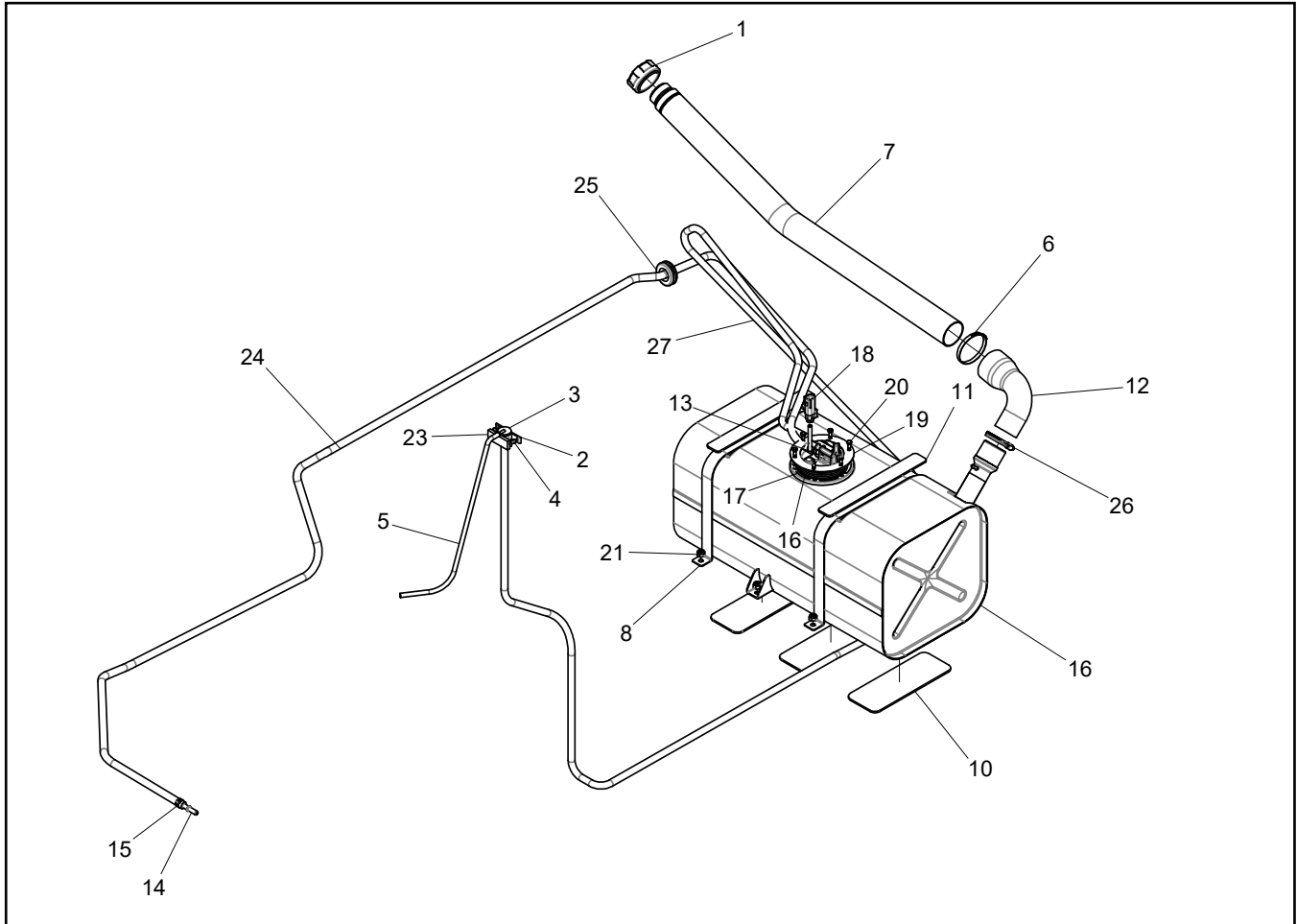
Ref.	Qty.	Part #	Description
1	2	101-76	BEARING, TAPERD ROLLER 32008X
2	2	102-27	Seal, Oil 50x72x8 Dbl Lip
3	1	102-28	SEAL, OIL V-RING 50mm
4	2	108-40	WASHER .68x1.75x.16 ZINC
5	1	117-72	LOCKNUT, NYLON - M16 x 1,5 ZN
6	3	127-85	PLUG, DRAIN - M10x1.0
7	1	805-106	AXLE - 17T SPLINE
8	1	805-108	BUSHING, 1.82 x .46
9	1	805-120	CAP, BEARING DUST - 2.0 DIA
10	1	805-132	HOUSING, AXLE
11	1	805-147	HUB, WHEEL, OFFSET, WITH STUDS

## 4.2 Driveline

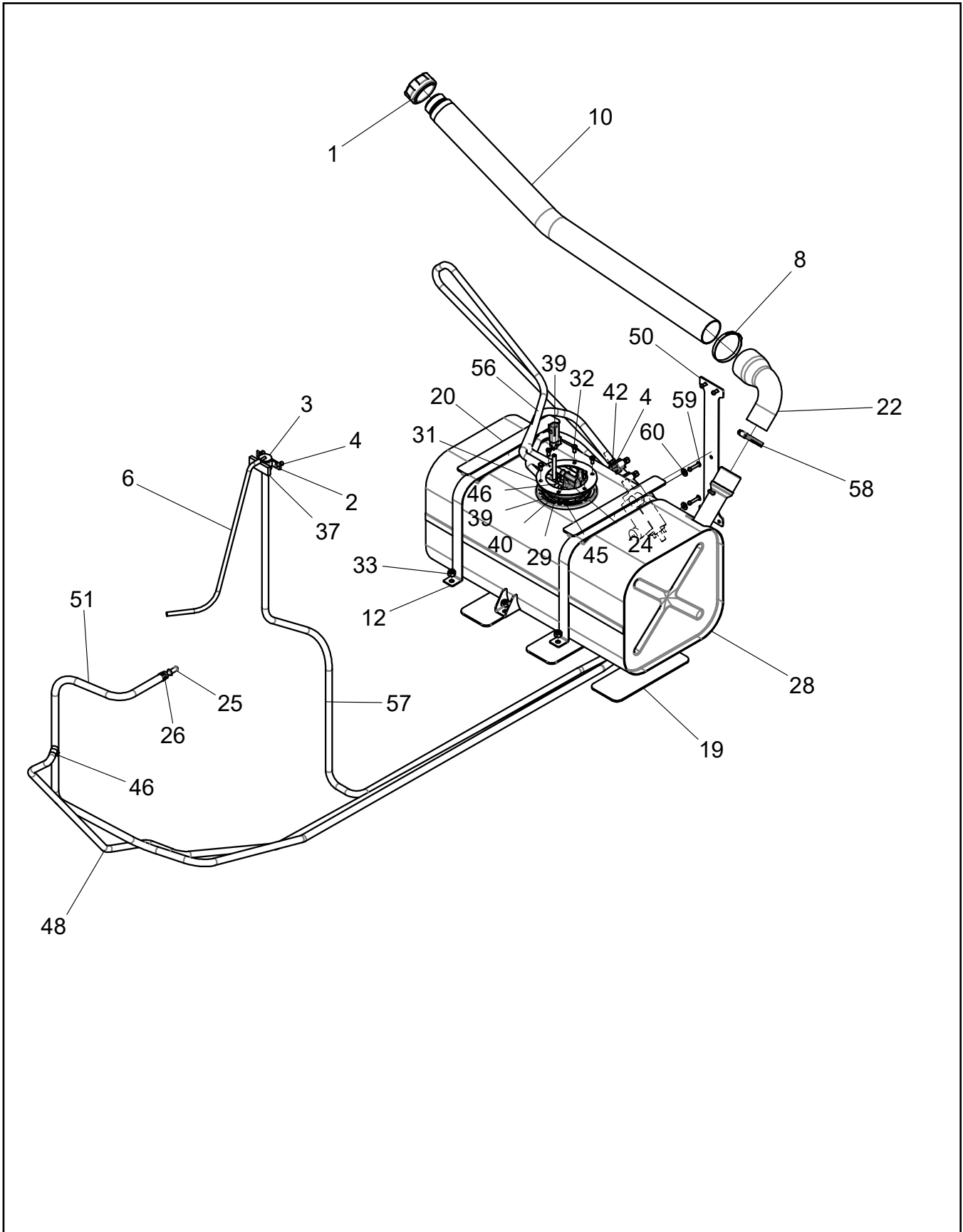
## 2022 Conquest Parts Manual



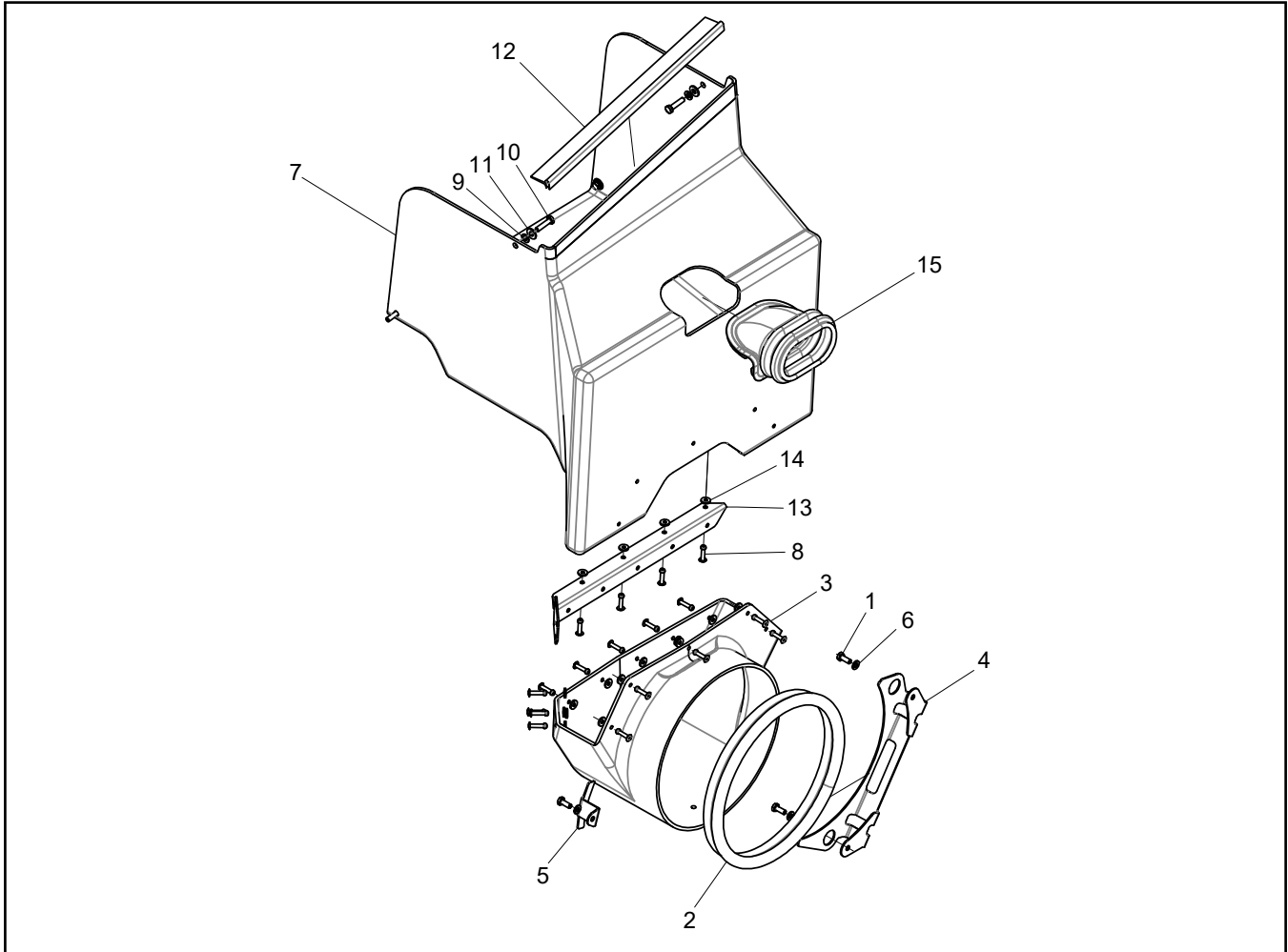
Ref.	Qty.	Part #	Description	Ref.	Qty.	Part #	Description
4	72	108-67	LOCKWASHER M10 SPLIT-RING ZN	25	8	112-158	BOLT, SHOULDER 12mm x 70mm
7	8	117-32	LOCKNUT, NYLON 7/16-20 ZN	26	2	953-14	CHAIN, RC60-1-HD X 54P
8	2	953-22	FLANGE, 2POS, TITAN	27	2	953-15	CHAIN, RC60-1-HD x 58P
9	2	100-127	FITTING, GREASE STR 1/4-28 TPR	28	16	108-40	WASHER .68x1.75x.16 ZN
11	2	165-25	DISC, BRAKE, SERVICE (to S# K45354)	29	8	117-72	LOCKNUT, NYLON - M16 x 1,5 ZN
	2	500-0099	ROTOR, BRAKE - SERVICE (from S# K45355)	30	8	805-120	CAP, BEARING DUST - 2.0 DIA
12	10	117-77	LOCKNUT, NYLON - M8x1,25MM ZN8	31	2	805-137	SPROCKET ASM, FRONT
13	10	108-05	LOCKWASHER 5/16 SPLIT-RING BNZ	32	4	805-135	SPROCKET ASM, MID
14	10	112-201	BOLT, SHOULDER M10x45	33	2	805-136	SPROCKET ASM, REAR
15	2	810-119	SHAFT, OUTPUT, #60-10T	34	4	112-200	SHSS 5/16-24x5/16 FLAT PT
16	2	810-117	COUPLER, IDLER SHAFT	35	6	112-137	HHCS M10x1,25x20mm ZN
17	4	953-16	CHAIN, RC60-1-HD X 96P	36	2	101-95B	BEARING, BALL -1.25 x 72mm
18	8	128-16	SPRING, TORSION - CENT CHAIN	37	2	952-259	BEARING FLANGE, GREASE W/TRIM
19	8	108-34	WASHER .47x.94x.06 ZINC	38	2	952-260	BEARING FLANGE, W/ TRIM
20	4	953-19	STANDOFF, HEX, 54MM	39	1	10011B	SENSOR, SPEED
21	4	953-20	STANDOFF, HEX, 23.5 MM				
22	16	806-211	PIVOT ARM ASM				
23	16	606-40	BLOCK, SLIDER - 7/8" SHAFT				
24	16	100-105	PIN, COTTER 3/16x1.75 ZN				



Ref.	Qty.	Part #	Description	Ref.	Qty.	Part #	Description
1	1	126-100	FUEL CAP, TETHERED	24	1	608-69-105	HOSE, FUEL - 5/16" ID, CARB 105"
2	1	609-50	CLAMP, ROLLOVER VALVE	25	1	200-0148-001	GROMMET, ROUND 1.00x1.75x0.563
3	1	609-47	VALVE, ROLLOVER	26	1	200-0129-002	CLAMP, GEAR - #24 1"-2"
4	2	120-13	RIVET - 3/16 x 3/4 BLACK	27	1	200-0064-140	HOSE, FUEL - 1/4" ID - 140"
5	1	126-101-15	HOSE, VENT 3/16" ID 15"				
6	1	10639C	CLAMP, 1-EAR 58.8-62 MM				
7	1	400-0116	NECK WLDT,FILL-FUEL				
8	2	400-0114	STRAP, FUEL TANK				
10	3	400-0139	PAD,FOAM-3"X8"				
11	2	400-0140	PAD,FOAM-1.25"X10"				
12	1	400-0113	ADAPTOR-FUEL NECK				
13	1	200-0137	FITTING,QUICK CONNECT-FML				
14	1	200-0136	FITTING,QUICK CONNECT-ML				
15	2	200-0140	CLAMP, 1-EAR 12.8-15.3 MM				
16	1	400-0112	TANK,FUEL				
17	1	400-0129	SEAL,FUEL PUMP				
18	1	400-0117	PUMP ASM,FUEL				
19	1	400-0130	RING,MNT-FUEL PUMP				
20	6	112-95	HHCS M5x0,8x10mm ZN				
21	3	117-127	LOCKNUT, NYLON 5/16-18 ZP				
23	1	200-0001-002	PVC FOAM TAPE, 1/4" x 3/4" x 2"				

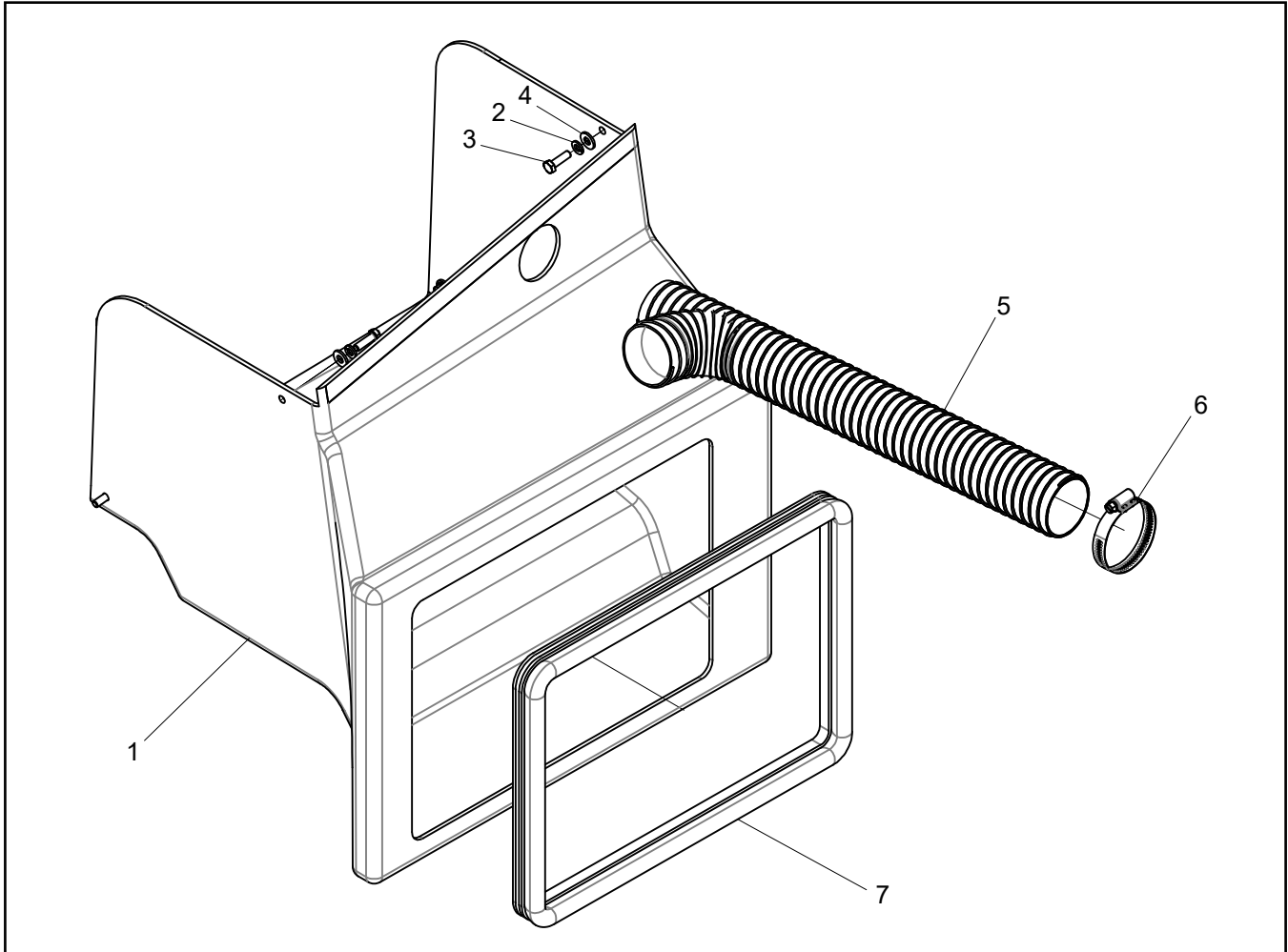


Ref.	Qty.	Part #	Description
1	1	126-100	FUEL CAP, TETHERED
2	1	609-50	CLAMP, ROLLOVER VALVE
3	1	609-47	VALVE, ROLLOVER
4	6	120-13	RIVET - 3/16 x 3/4 BLACK
6	1	126-101-15	HOSE, VENT 3/16" ID 15"
8	1	10639C	CLAMP, 1-EAR 58.8-62 MM
10	1	400-0116	NECK WLDT,FILL-FUEL
12	2	400-0114	STRAP, FUEL TANK
19	3	400-0139	PAD,FOAM-3"X8"
20	2	400-0140	PAD,FOAM-1.25"X10"
22	1	400-0113	ADAPTOR-FUEL NECK
24	1	200-0137	FITTING,QUICK CONNECT-FML
25	1	200-0136	FITTING,QUICK CONNECT-ML
26	3	200-0140	CLAMP, 1-EAR 12.8-15.3 MM
28	1	400-0112	TANK,FUEL
29	1	400-0129	SEAL,FUEL PUMP
31	1	400-0130	RING,MNT-FUEL PUMP
32	6	112-95	HHCS M5x0,8x10mm ZN
33	3	117-127	LOCKNUT, NYLON 5/16-18 ZP
37	1	200-0001-002	PVC FOAM TAPE, 1/4" x 3/4" x 2"
39	1	400-0152	PICK-UP ASM,FUEL-KAWI 800
40	1	608-138	FITTING, BRASS - 90 DEG
41	1	200-0128-002	HOSE, FUEL - 1/2" ID - 2"
42	2	200-0129-001	CLAMP, WORM GEAR - #8 3/8"-1"
45	1	608-136	GROMMET, FUEL RETURN
46	2	112-79	CLAMP, HOSE 1/2" BLACK
48	1	200-0064-105	HOSE, FUEL - 1/4" ID - 105"
50	1	300-1144	FUEL PUMP MOUNT
51	1	608-69-97	HOSE, FUEL - 5/16" ID, CARB 97"
56	1	608-69-09	HOSE, FUEL - 5/16" ID, CARB 9"
57	1	200-0064-140	HOSE, FUEL - 1/4" ID - 140"
58	1	200-0129-002	CLAMP, GEAR - #24 1"-2"
59	2	200-0193-001	RIVET,3/16 X 0.88-1.00 - OPEN END
60	2	200-0194-001	WASHER, FLAT 0.250x0.562x0.049 - ZN

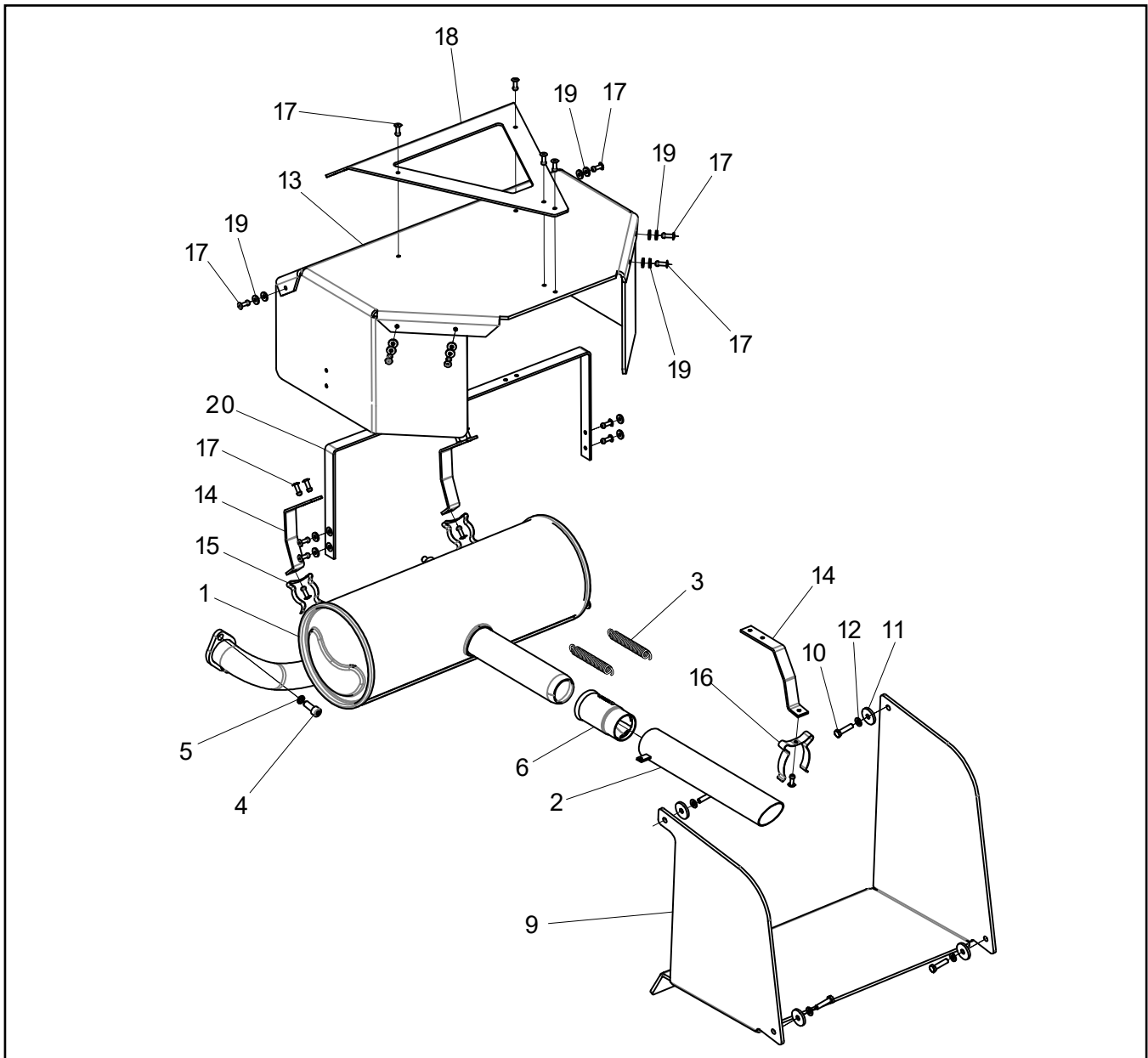


Ref.	Qty.	Part #	Description
1	3	112-118	HHCS M6x1,0x15mm
2	1	807-77-31	SEAL, BULB - 31"
3	1	400-0046	DUCT, INTAKE - LOWER
4	1	10773C	RETAINER, INTAKE DUCT - LOWER
5	1	10774C	RETAINER, INTAKE DUCT - UPPER
6	3	108-03	LOCKWASHER 1/4 SPLIT RING ZNC
7	1	400-0206	DUCT, INTAKE - UPPER
8	18	120-09	RIVET - 3/16 x 1.0 BLACK
9	4	108-105	ZINC PLATED, BLACK CHROMATE
10	4	112-212	HHCS M6X1X25mm, BLACK ZINC
11	4	108-08	WASHER .28x.62x.07 ZINC
12	1	10304C015	FLAP SEAL 90 DEGREE - 15"
13	1	300-0914	BRACKET, INTAKE DUCT
14	18	120-04	WASHER .19x.50x.08 ZINC
15	1	400-0142	GROMMET, INTAKE - CONQUEST

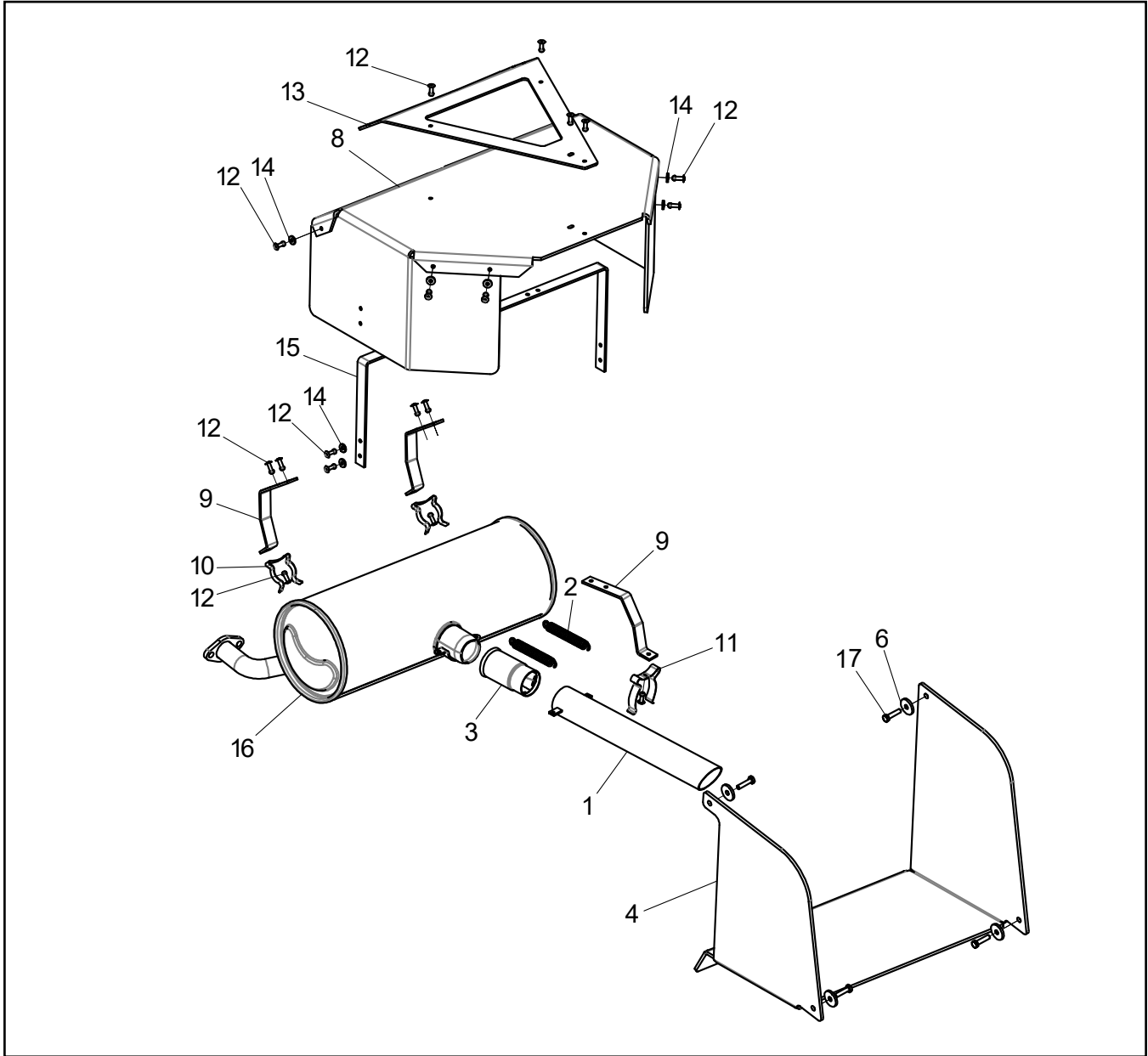




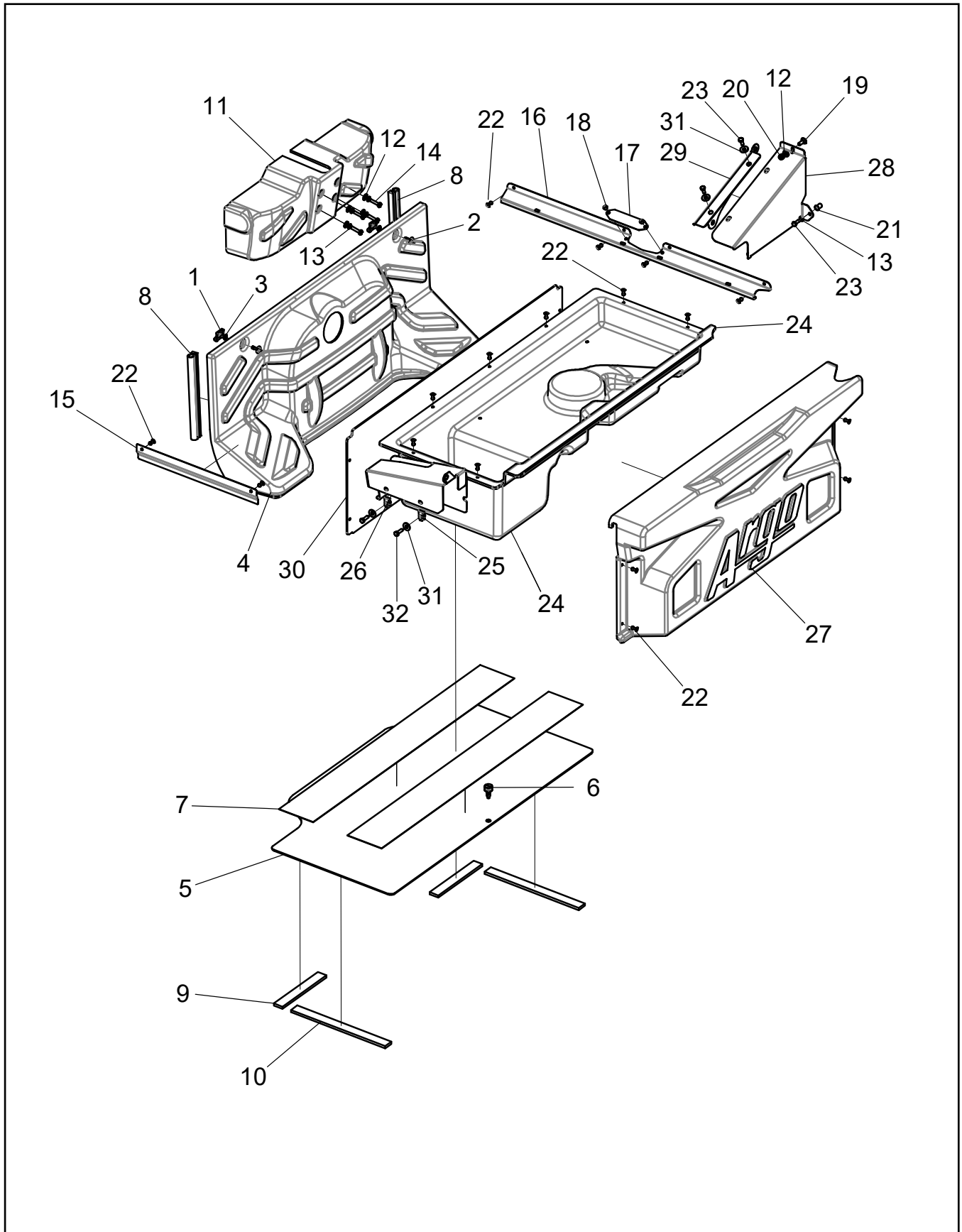
Ref.	Qty.	Part #	Description
1	1	400-0104	DUCT, INTAKE - 30HP
2	4	108-105	LOCKWASHER, 1/4 SPLIT, BLK ZN
3	4	112-220	HHCS M6X1X20mm GR 8.8 ZINC
4	4	108-08	WASHER .28x.62x.07 ZINC
5	1	10363C	HOSE, INTAKE FLEX 2" DIA X 18"
6	1	100-128	CLAMP, GEAR 2.25"
7	1	200-0131-045	SEAL, BULB 90 DEGREE - 45"



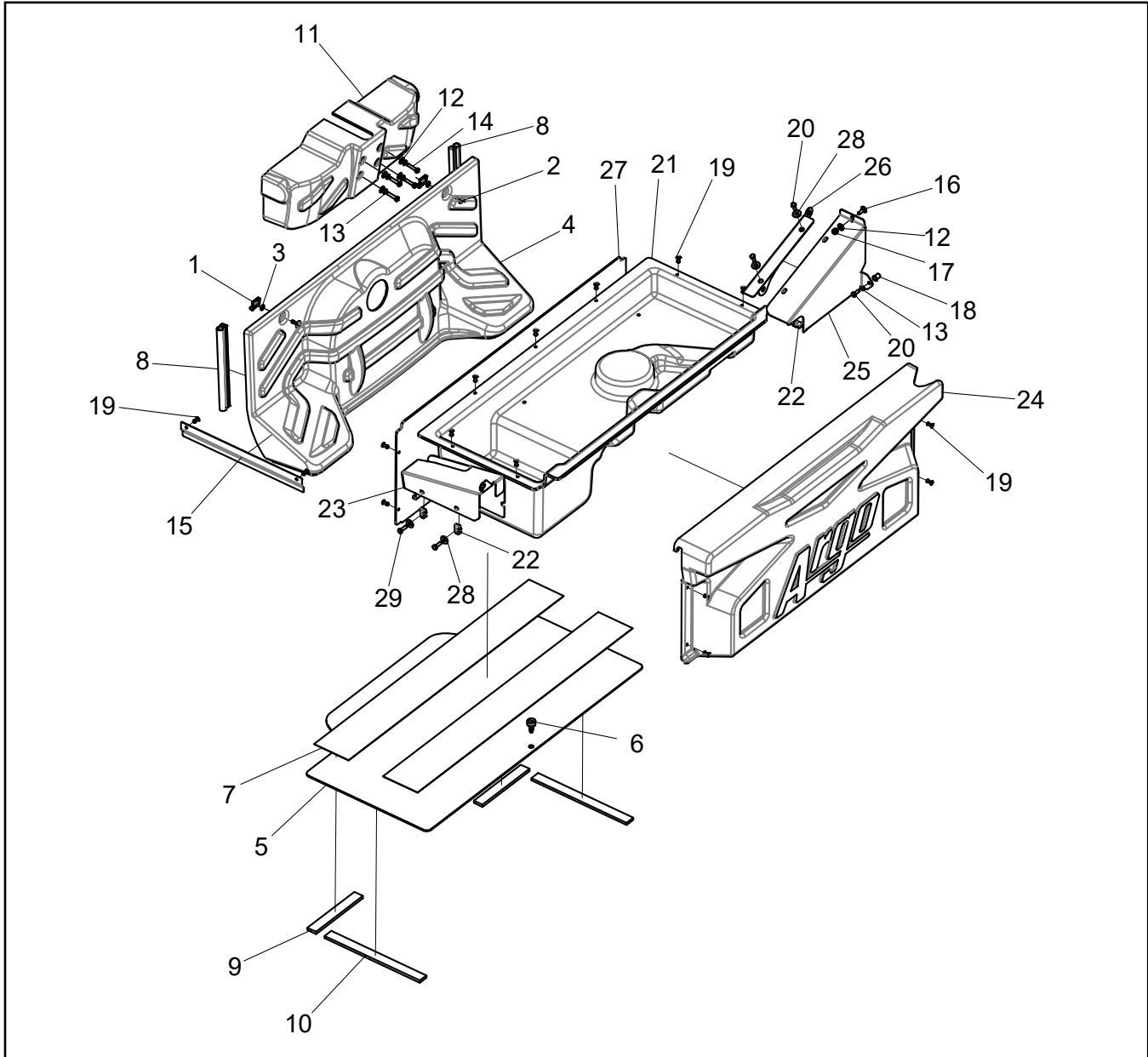
Ref.	Qty.	Part #	Description	Ref.	Qty.	Part #	Description
1	1	10423C	MUFFLER, BRIGGS & STRATTON - 40HP	14	3	10369C	EXHAUST COVER BRACKET
2	1	400-0035	WLDT, TAIL PIPE	15	2	10368C	CLIP, 1.125"
3	2	127-187	SPRING, EXT 17/32 X 3.75	16	1	10365C	CLIP, 1.75"
4	4	112-30	SHCS M8x1,25x20mm ZINC	17	21	120-14	RIVET - 3/16 x 5/8 BLACK
5	4	108-02	LOCKWASHER 5/16 HI-COLLAR BARE	18	1	10387C	BRACE, HEAT SHIELD
6	1	400-0019	SPARK ARRESTOR ASSEMBLY	19	20	120-04	WASHER .19x.50x.08 ZINC
9	1	400-0043	SHIELD, EXHAUST - LOWER	20	1	10546C	SUPPORT, HEAT SHIELD
10	4	112-212	HHCS M6X1X25mm, BLACK ZINC				
11	4	108-104	WASHER, 0.28IDX1.0ODX0.13, BLK				
12	4	108-105	LOCKWASHER, 1/4 SPLIT, BLK ZN				
13	1	10275C	EXHAUST SHIELD UPPER				



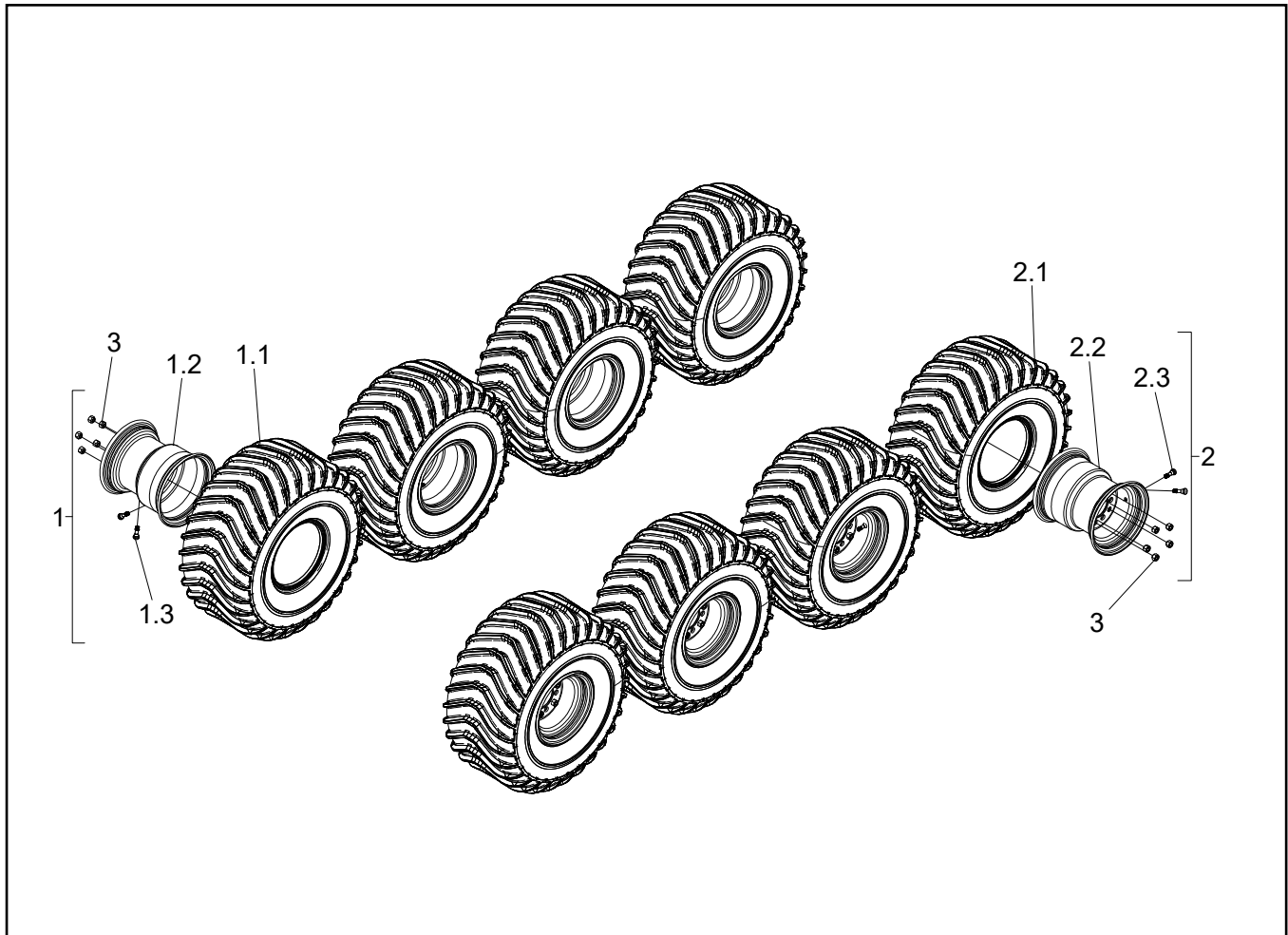
Ref.	Qty.	Part #	Description	Ref.	Qty.	Part #	Description
1	1	400-0035	WLDT, TAIL PIPE	16	1	400-0057	MUFFLER, KAWASAKI - 30HP
2	2	127-187	SPRING, EXT 17/32 X 3.75	17	4	112-97	HHCS M6x1,0x25mm ZN
3	1	400-0019	SPARK ARRESTOR ASSEMBLY				
4	1	400-0043	SHIELD, EXHAUST - LOWER				
6	4	108-104	WASHER, 0.28IDx1.00DX0.13, BLK				
8	1	10275C	EXHAUST SHIELD UPPER				
9	3	10369C	EXHAUST COVER BRACKET				
10	2	10368C	CLIP, 1.125"				
11	1	10365C	CLIP, 1.75"				
12	21	120-14	RIVET - 3/16 x 5/8 BLACK				
13	1	10387C	BRACE, HEAT SHIELD				
14	20	120-04	WASHER .19x.50x.08 ZINC				
15	1	10546C	SUPPORT, HEAT SHIELD				



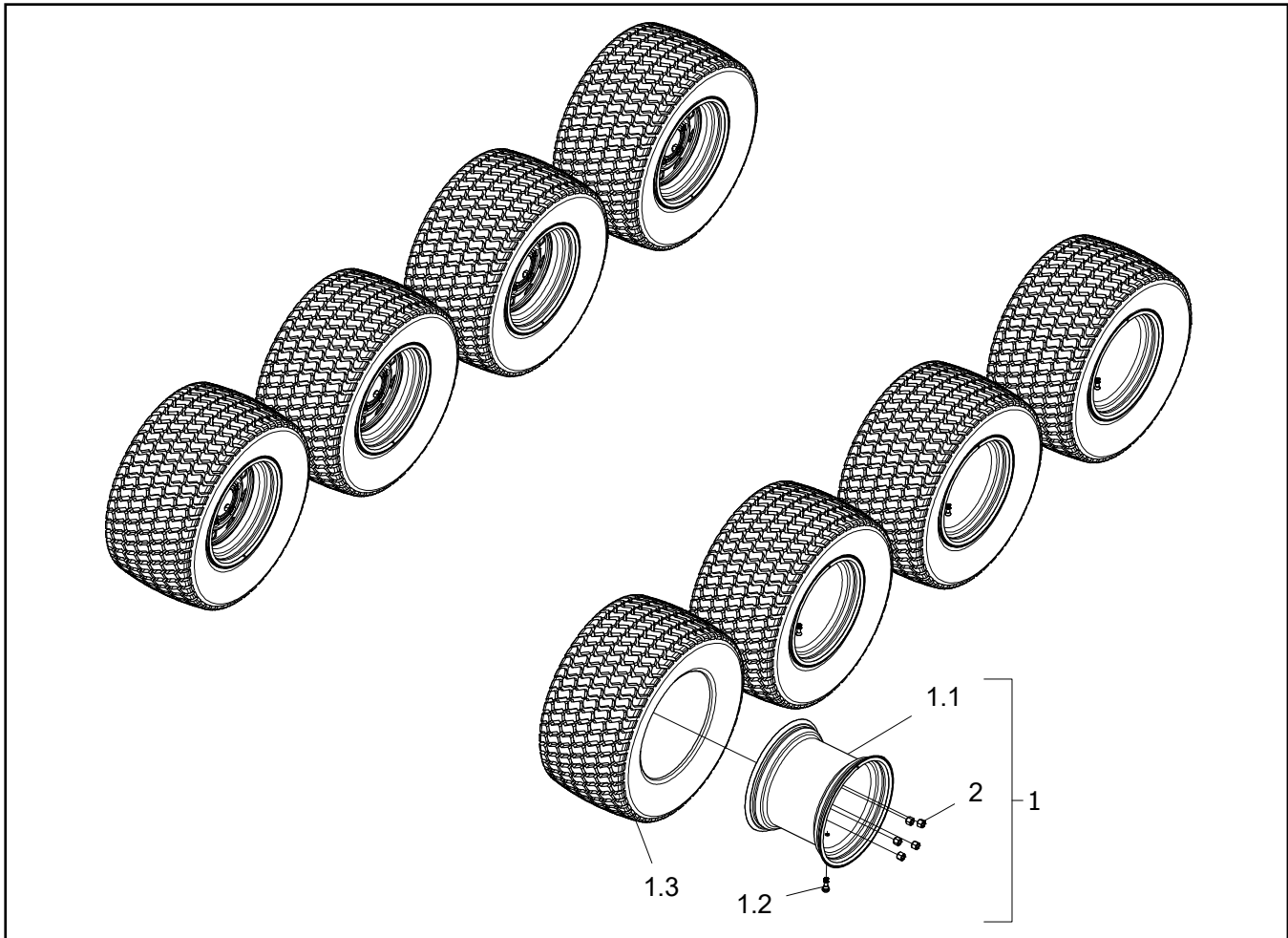
Ref.	Qty.	Part #	Description
1	2	117-126	CLIP, Q-TURN 6MM - STEEL
2	2	112-312	STUD, Q-TURN 6MM x 15MM - STEEL
3	2	114-40	WASHER, STUD RETAINER 6MM
4	1	951-04	FIREWALL - TTN
5	1	953-05	FLOOR PLATE, FRONT, TTN
6	1	112-136	SCREW, FASTLEAD - LARGE
7	2	127-183-32	TAPE, NON-SLIP - 4"x32"
8	2	809-166-9	SEAL, 9" LONG
9	2	127-123-7	RUBBER, STRIP -1/4x1"x7"
10	2	127-123-11	RUBBER, STRIP -1/4x1"x11"
11	1	700-0242	COVER, STEERING ASSEMBLY
12	5	108-08	WASHER .28x.62x.07 ZINC
13	5	108-03	LOCKWASHER 1/4 SPLIT RING ZNC
14	4	112-212	HHCS M6X1X25mm, BLACK ZINC
15	1	953-42	COVER, BRAKE CABLE
16	1	700-0299	COVER, FUEL
17	1	700-0300	PLATE, COVER
18	2	120-31	RIVET, 3/16" X 1/4", OPEN END
19	1	112-230	C/BOLT, 1/4-20 x 0.75 GR 5 ZINC
20	1	117-27	LOCKNUT, NYLON 1/4-20 ZINC
21	1	117-79	INSERT, M6x1,0 -10 mm OD
22	26	120-13	RIVET - 3/16 x 3/4 BLACK
23	3	112-118	HHCS M6x1,0x15mm
24	1	700-0430	COVER, TOOL TRAY
25	4	200-0149-001	U-NUT, THREADED BARREL - M6
26	1	700-0385	COVER, PARK BRAKE
27	1	700-0431	COVER, REAR - FUEL TANK
28	1	700-0428	COVER, FUEL NECK - REAR
29	1	700-0429	COVER, FUEL NECK - FRONT
30	1	700-0446	COVER, FUEL TANK - FRONT
31	4	108-25	WASHER .31x.75x.06 ZINC
32	2	112-220	HHCS M6X1X20mm GR 8.8 ZINC



Ref.	Qty.	Part #	Description	Ref.	Qty.	Part #	Description
1	2	117-126	CLIP, Q-TURN 6mm - STEEL	16	1	112-230	C/BOLT, 1/4-20 x 0.75 GR 5 ZN
2	2	112-312	STUD, Q-TURN 6mmx15mm- STEEL	17	1	117-27	LOCKNUT, NYLON 1/4-20 ZN
3	2	114-40	WASHER, STUD RETAINER 6mm	18	1	117-79	INSERT, M6x1,0 -10 mm OD
4	1	951-04	FIREWALL - TTN	19	22	120-13	RIVET - 3/16 x 3/4 BLACK
5	1	953-05	FLOOR PLATE, FRONT, TTN	20	3	112-118	HHCS M6x1,0x15mm
6	1	112-136	SCREW, FASTLEAD - LARGE	21	1	700-0430	COVER, TOOL TRAY
7	2	127-183-32	TAPE, NON-SLIP - 4"x32"	22	4	200-0149-001	U-NUT, THREADED BARREL - M6
8	2	809-166-9	SEAL, 9" LONG	23	1	700-0385	COVER, PARK BRAKE
9	2	127-123-7	RUBBER, STRIP -1/4x1"x7"	24	1	700-0431	COVER, REAR - FUEL TANK
10	2	127-123-11	RUBBER, STRIP -1/4x1"x11"	25	1	700-0428	COVER, FUEL NECK - REAR
11	1	700-0242	COVER, STEERING ASSEMBLY	26	1	700-0429	COVER, FUEL NECK - FRONT
12	5	108-08	WASHER .28x.62x.07 ZINC	27	1	700-0446	COVER, FUEL TANK - FRONT
13	5	108-03	LOCKWASHER 1/4 SPLIT RING ZN	28	4	108-25	WASHER .31x.75x.06 ZN
14	4	112-212	HHCS M6X1X25mm, BLACK ZN	29	2	112-220	HHCS M6X1X20mm GR 8.8 ZN
15	1	953-42	COVER, BRAKE CABLE				

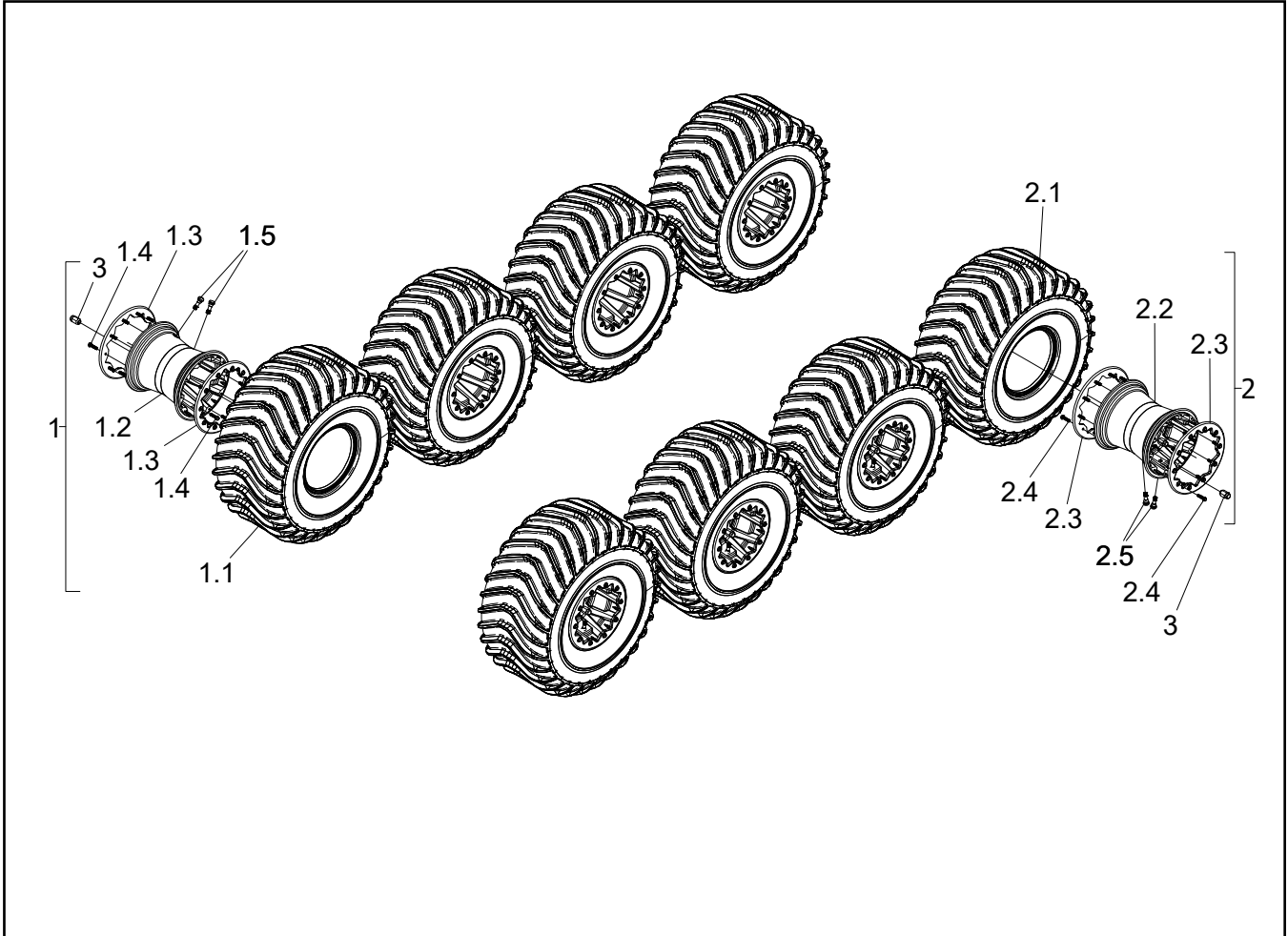


Ref.	Qty.	Part #	Description
1	4	10010CVRT	Wheel, 25" STL Rim RT
1.1	1	10001C	Tire, 25 x 12 - 9 XT117
1.2	1	10004C	Rim, 9 x 10 Steel
1.3	2	125-26A	Valve, Tire - Unassembled
2	4	10010CVLT	Wheel, 25" STL Rim LT
2.1	1	10001C	Tire, 25 x 12 - 9 XT117
2.2	1	10004C	Rim, 9 x 10 Steel
2.3	2	125-26A	Valve, Tire - Unassembled
3	40	117-74	Nut, Wheel M12x1,25 Zn

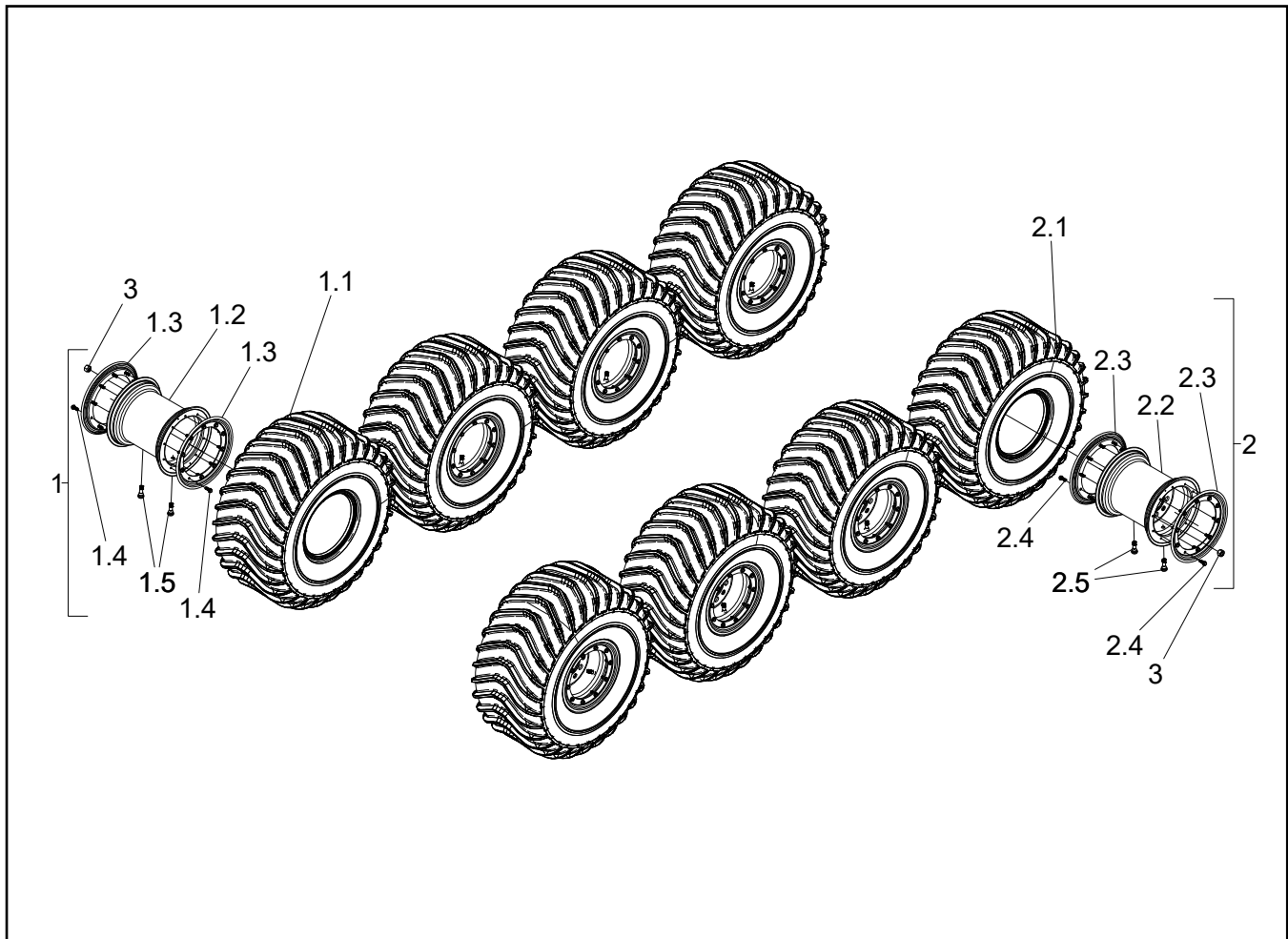


Ref.	Qty.	Part #	Description
1	8	127-215	Tire+Rim Asm -Multitrac XT HD
1.1	1	127-281	Rim -12x9.5x2.25 Offset-Reinf
1.2	1	125-26A	Valve, Tire - Unassembled
1.3	1	127-227	Tire, Super Turf 24x12.00-12
2	40	117-74	Nut, Wheel M12x1,25 Zn

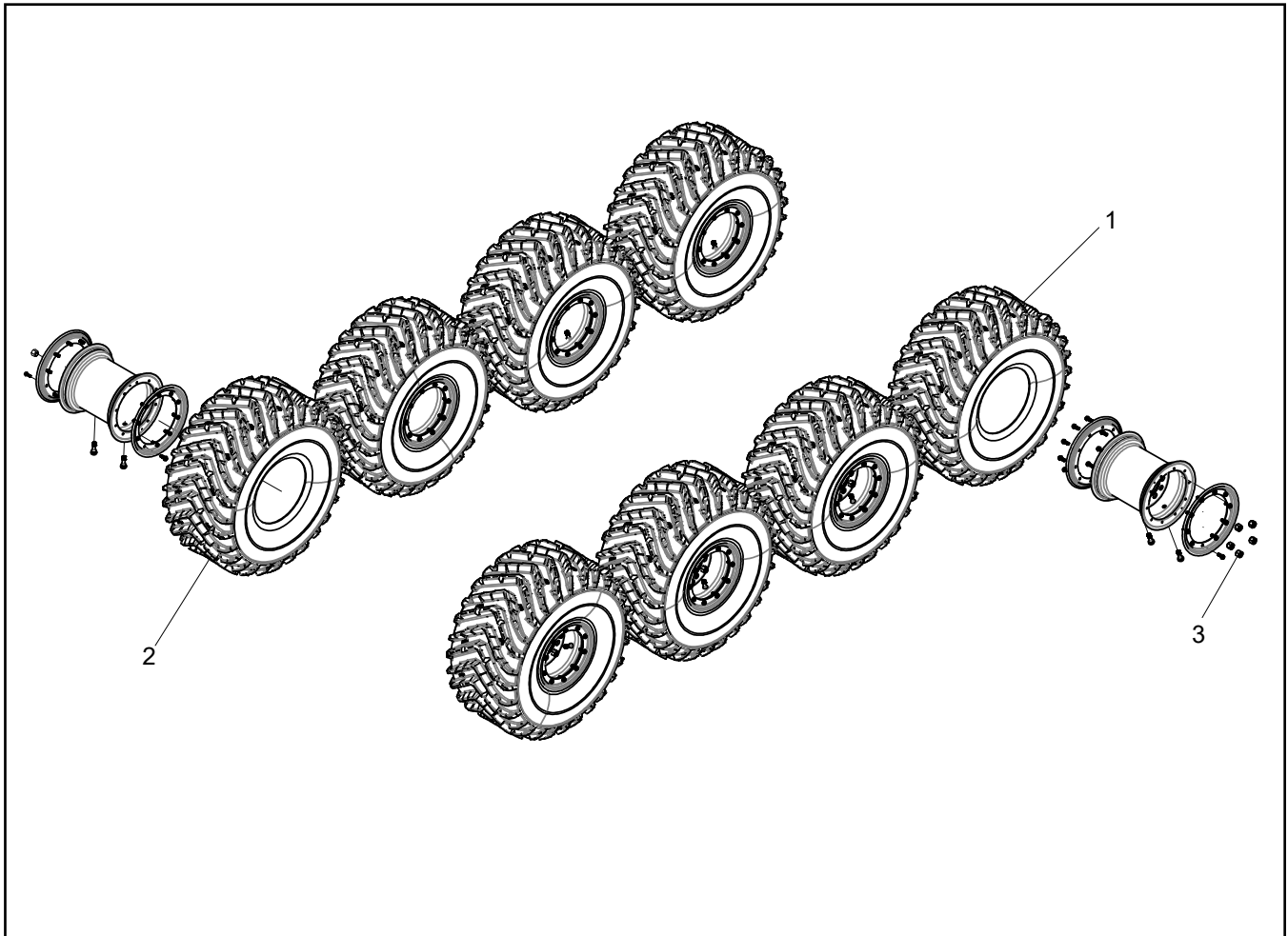




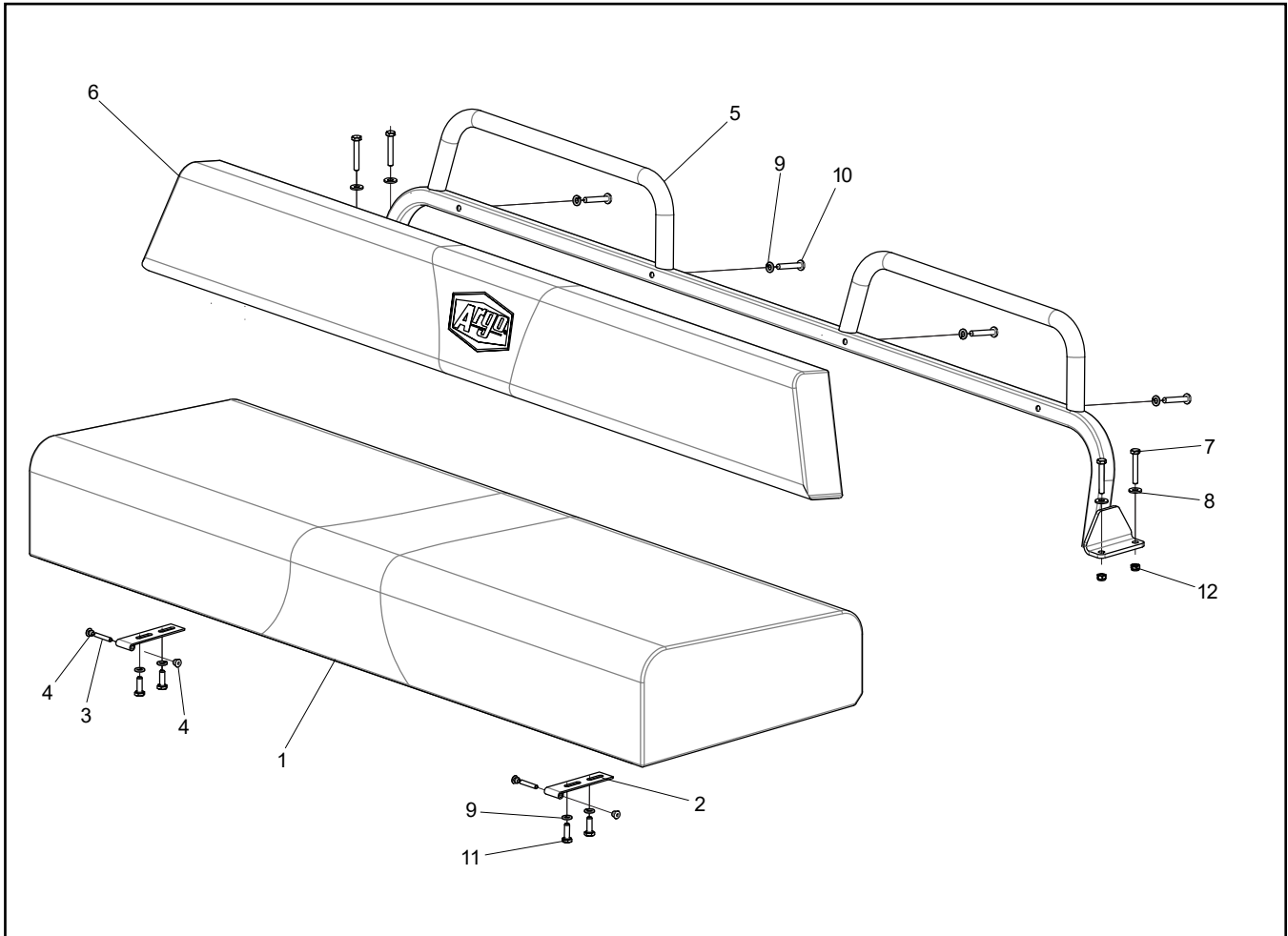
Ref.	Qty.	Part #	Description
1	4	10009CVRT	Wheel, 25" AL Beadlock RT
1.1	1	10001C	Tire, 25 x 12 - 9 XT117
1.2	1	10007C	Rim, Alum Beadlock 9 x 10
1.3	1	10050J	Ring, Alum Beadlock Blk (Pk of 2)
1.4	1	10049J	Bolt, Alum Beadlock Ring (Pk of 20)
1.5	2	125-26A	Valve, Tire - Unassembled
2	4	10009CVLT	Wheel, 25" AL Beadlock LT
2.1	1	10001C	Tire, 25 x 12 - 9 XT117
2.2	1	10007C	Rim, Alum Beadlock 9 x 10
2.3	2	10050J	Ring, Alum Beadlock Blk (Pk of 2)
2.4	20	10049J	Bolt, Alum Beadlock Ring (Pk of 20)
2.5	2	125-26A	Valve, Tire - Unassembled
3	40	117-74	Nut, Wheel M12x1,25 Zn



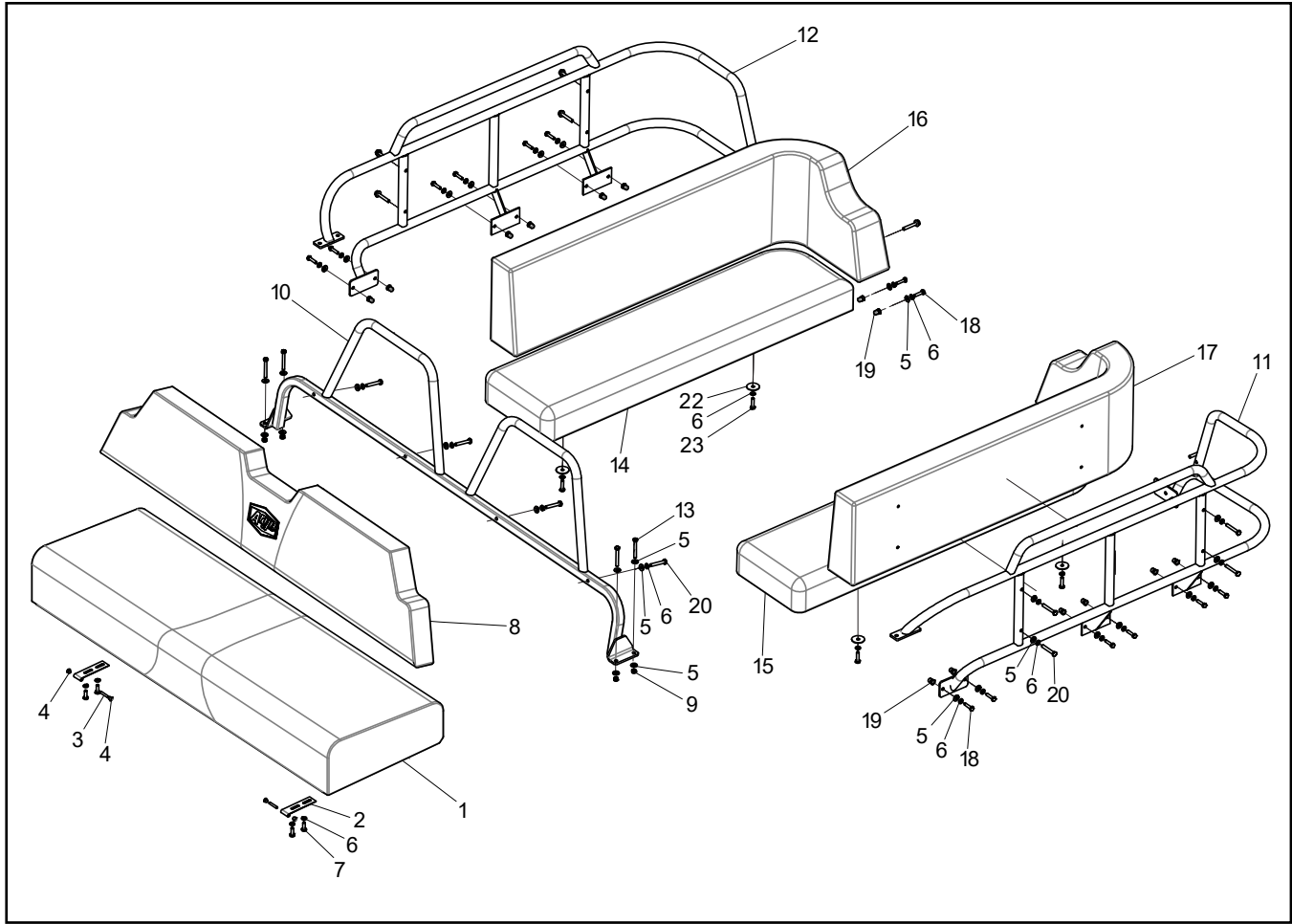
Ref.	Qty.	Part #	Description
1	4	10008CVRT	Wheel, 25" Stl Beadlock Right
1.1	1	10001C	Tire, 25 x 12 - 9 XT117
1.2	1	10006C	Rim, Steel Beadlock 9 x 10
1.3	1	10051J	Ring, Steel Beadlock Blk (Pk of 2)
1.4	1	10048J	Bolt, Steel Beadlock Ring (Pk of 20)
1.5	2	125-26A	Valve, Tire - Unassembled
2	4	10008CVLT	Wheel, 25" Stl Beadlock Left
2.1	1	10001C	Tire, 25 x 12 - 9 XT117
2.2	1	10006C	Rim, Steel Beadlock 9 x 10
2.3	1	10051J	Ring, Steel Beadlock Blk (Pk of 2)
2.4	1	10048J	Bolt, Steel Beadlock Ring (Pk of 20)
2.5	2	125-26A	Valve, Tire - Unassembled
3	40	117-74	Nut, Wheel M12x1,25 Zn



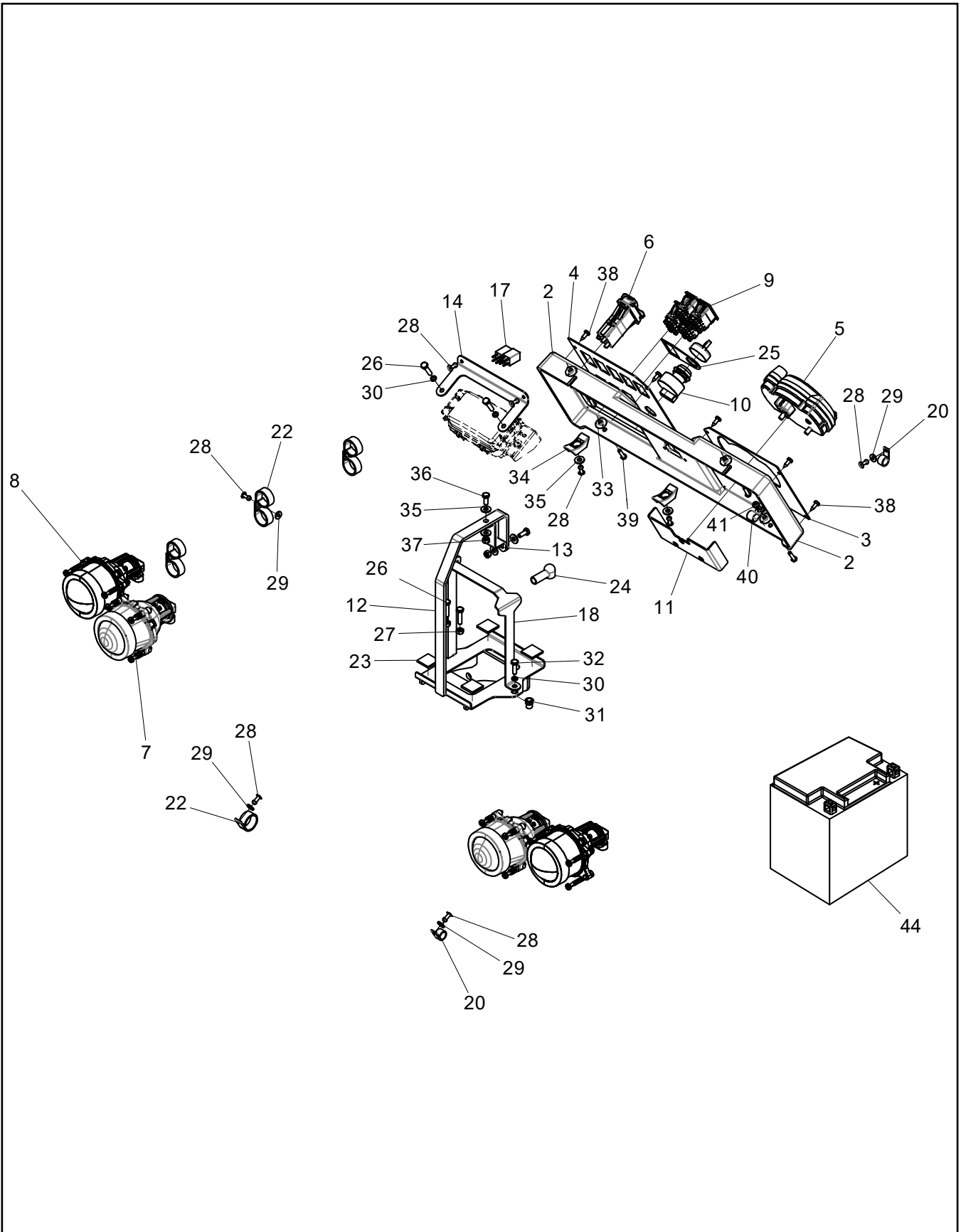
Ref.	Qty.	Part #	Description
1	4	500-0030	WHEEL, XT119 STL BL - LEFT
2	4	500-0031	WHEEL, XT119 STL BL - RIGHT
3	40	117-74	NUT, WHEEL M12x1,25 ZINC



Ref.	Qty.	Part #	Description
1	1	608-88CF	SEAT ASM, BENCH, CF
2	2	608-81	HINGE, SEAT, BOLTED
3	2	104-43	DOWEL PIN, 3/16x1-1/8" SS
4	4	120-31	RIVET, 3/16" X 1/4", OPEN END
5	1	950-08	FRAME ASM, BACKREST, TTN
6	1	608-39CF	BACKPAD ASM, CF
7	4	112-98	Hex-head bolt M6x40
8	4	108-08	WASHER .28x.62x.07 ZINC
9	8	108-03	LOCKWASHER 1/4 SPLIT RING ZNC
10	4	103-03	PHMS 1/4-20x1.50 ZINC
11	4	112-04	HHCS 1/4-20x3/4 GR2 ZINC
12	4	112-115	LOCKNUT, NYLON M6x1 ZN



Ref.	Qty.	Part #	Description	Ref.	Qty.	Part #	Description
1	1	608-88CF	SEAT ASM, BENCH, CF	15	1	850-418	SEAT, L REAR BENCH, OUTFITTER, CF
2	2	608-81	HINGE, SEAT, BOLTED	16	1	850-417	SEAT, R REAR BACKREST, OUTFTR, CF
3	2	104-43	DOWEL PIN, 3/16x1-1/8" SS	17	1	850-416	SEAT, L REAR BACKREST, OUTFTR, CF
4	4	120-31	RIVET, 3/16" X 1/4", OPEN END	18	16	112-97	Hex-head bolt M6x25
5	38	108-08	WASHER .28x.62x.07 ZINC	19	16	117-79	INSERT, M6x1,0 -10 mm OD
6	38	108-03	LOCKWASHER 1/4 SPLIT RING ZNC	20	14	112-297	HHCS 1/4-20x1.0 FULL THREAD
7	4	112-04	HHCS 1/4-20x3/4 GR2 ZINC	22	4	108-01	WASHER, FENDER 1/4 BS x 1.25OD
8	1	850-415	SEAT, FRNT BACKREST, DELUXE	23	4	103-08	HHCS 1/4-20x1.0 GR5 ZINC
9	4	112-115	LOCKNUT, NYLON M6x1 ZN				
10	1	958-337	FRAME, CONQUEST BACKREST - DELUXE				
11	1	958-257	LH REAR SEAT FRAME, OUTFITTER				
12	1	958-263	RH REAR SEAT FRAME, OUTFITTER				
13	4	112-299	HHCS, M6x1x50mm				
14	1	850-419	SEAT, R REAR BENCH, OUTFITTER, CF				



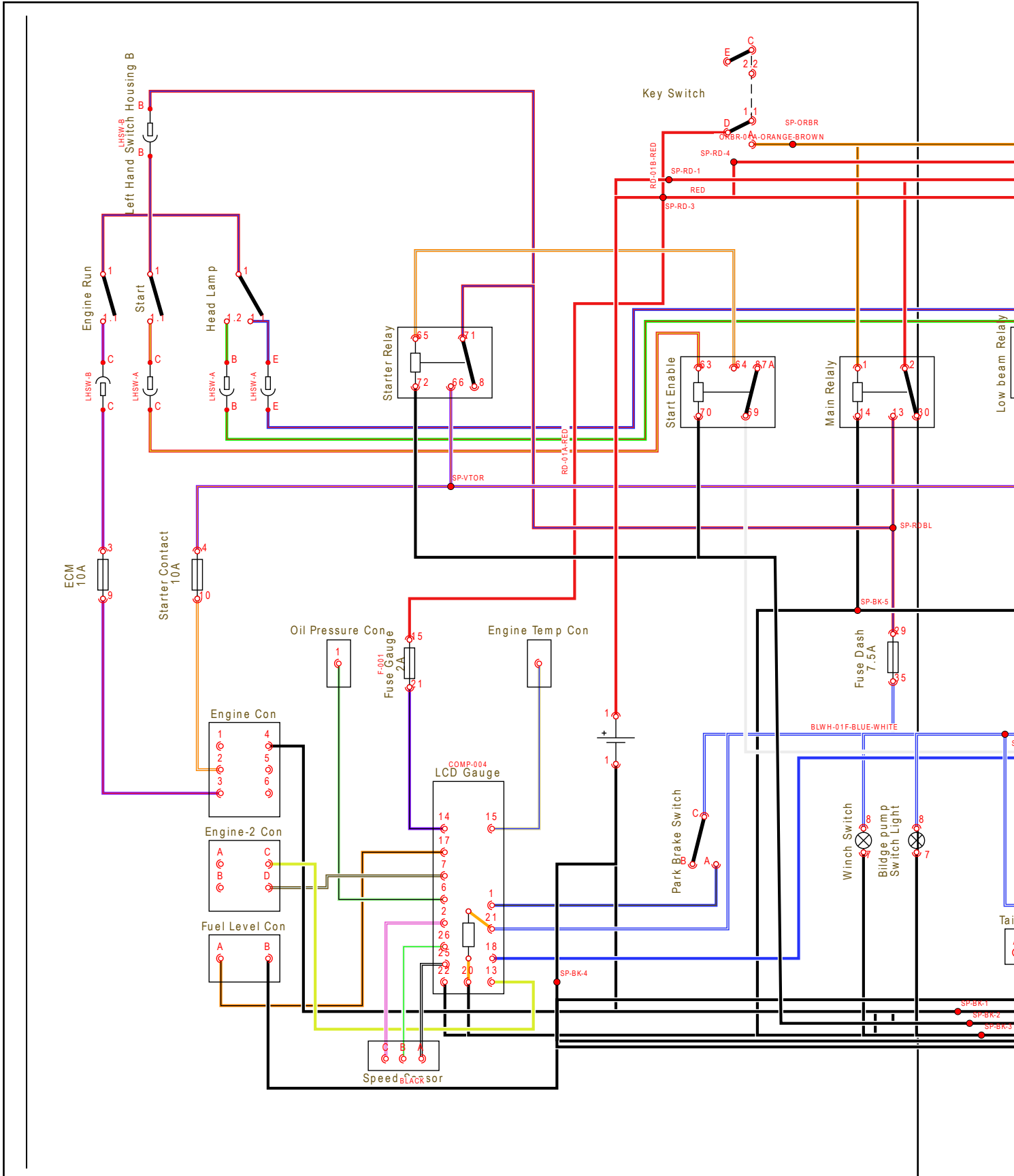
## 2022 Conquest Parts Manual

## 11.0 Electrical

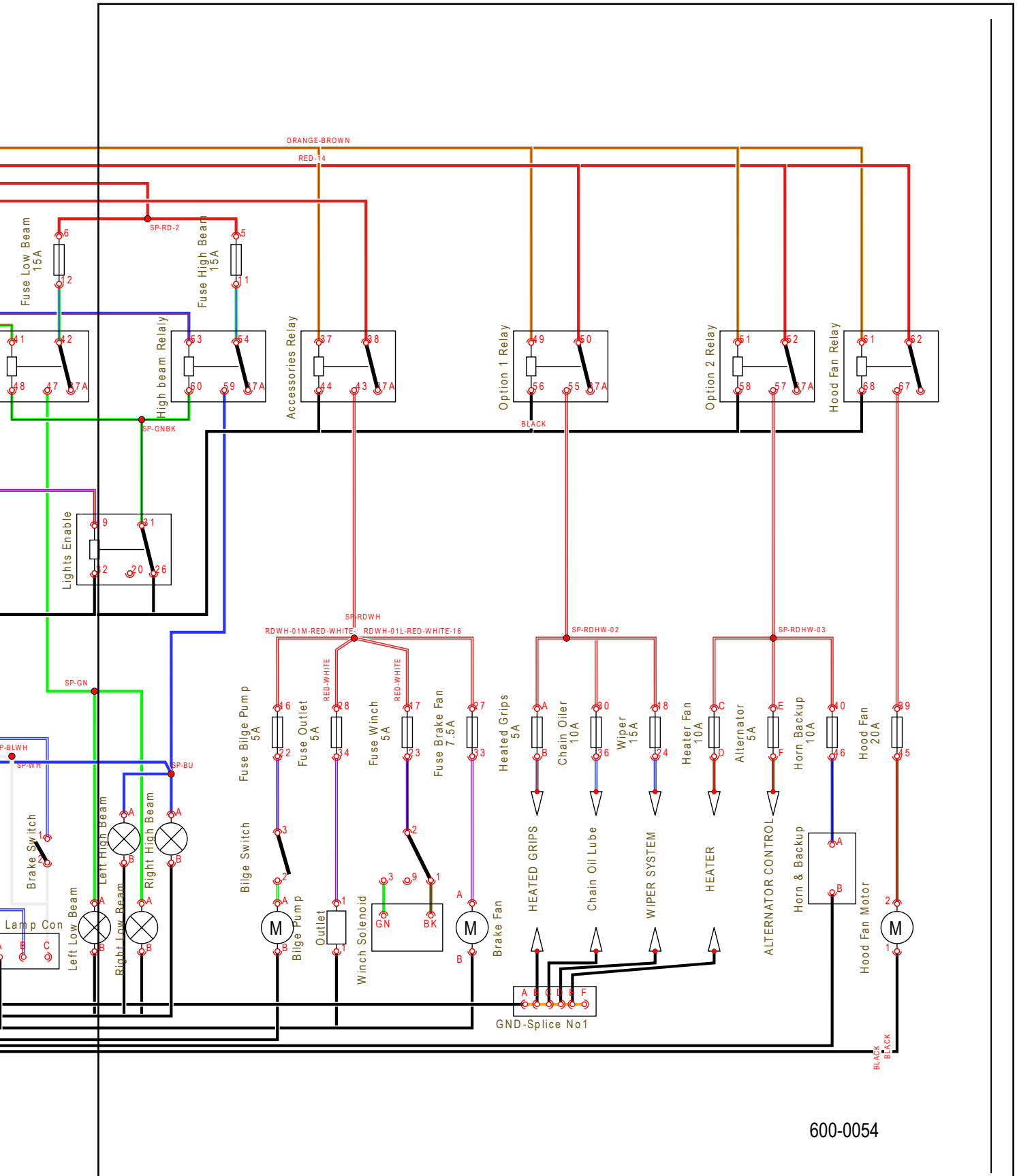
Ref.	Qty.	Part #	Description	Ref.	Qty.	Part #	Description
1	1	600-0054	HARNESS, MAIN (Not shown)	42	1	600-0159	HARNESS, SERVICE BRAKE (Not shown)
2	1	700-0251	PANEL, DASH CONSOLE	43	1	600-0259	HARNESS, PARK BRAKE (Not shown)
3	1	700-0244	PANEL, DASH - LEFT	44	1	10005B	BATTERY, YIX30L - 12V
4	1	700-0246	PANEL, DASH - RIGHT				
5	1	600-0249	GAUGE, INSTRUMENT PANEL				
6	1	600-0098	OUTLET, DUAL USB				
7	2	10008B	LIGHT, LOW BEAM				
8	2	10009B	LIGHT, HIGH BEAM				
9	4	10015B	SWITCH, HOLE PLUG				
10	1	10006B	SWITCH, IGNITION				
11	1	10527C	BRACKET, GAUGE MOUNT				
12	1	300-0632	BATTERY HOLDER				
13	1	300-0639	BRACKET, BATTERY TIE DOWN				
14	1	300-0640	BRACKET, FUSE PANEL				
17	2	118-79	RELAY, ULTRA MICRO, SPNO 20A				
18	1	10332C	BRACKET, TIE DOWN				
20	2	126-93	CLAMP, NYLON WIRE - 1/2" ID				
21	3	127-124RM	TUBING, CONVOLUTED 3/8" ID (Not shown)				
22	7	127-24	CLAMP, NYLON - 1" ID				
23	4	10331C	BUMPER, 1"X1" ADHESIVE BACKED				
24	1	613-46	INSULATOR, TERMINAL (2 Ga.)				
25	1	10425C	SPACER, IGNITION				
26	4	112-212	HHCS M6X1X25mm, BLACK ZINC				
27	2	117-63	NUT, HEX M6x1,0 ZINC				
28	10	120-13	RIVET - 3/16 x 3/4 BLACK				
29	6	120-04	WASHER .19x.50x.08 ZINC				
30	3	108-03	LOCKWASHER 1/4 HI-COLLAR BARE				
31	1	117-79	INSERT, M6x1,0 -10 mm OD				
32	1	112-220	HHCS M6X1X20mm GR 8.8 ZINC				
33	4	117-98	T-NUT 10-24 ZINC				
34	2	10074B	MOUNT, CABLE TIE #10; TMEH-S10-X				
35	10	108-08	WASHER .28x.62x.07 ZINC				
36	2	112-118	HHCS M6x1,0x15mm				
37	2	112-115	LOCKNUT, NYLON M6x1 ZN				
38	8	103-48	T/S PAN HD PHIL #10x5/8 A BLK				
39	4	112-182	HHCS 10-24 X .75 ZINC				
40	1	100-129	CLAMP, LOOP 1/4 GALV VINYL DIP				
41	1	117-10	LOCKNUT, 10-24 N/I ZINC				

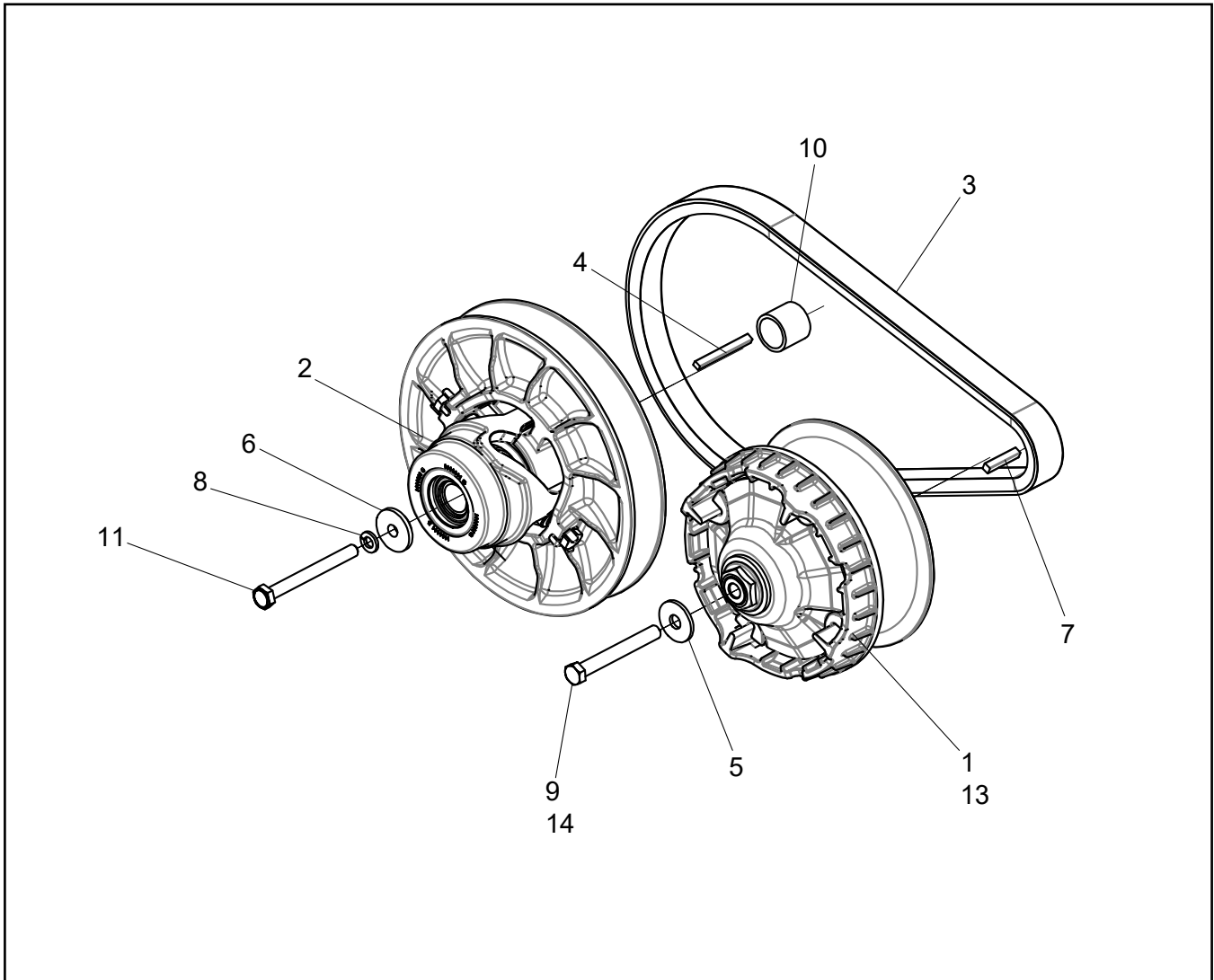
# 11.1 Wiring Diagram

# 2022 Conquest Parts Manual

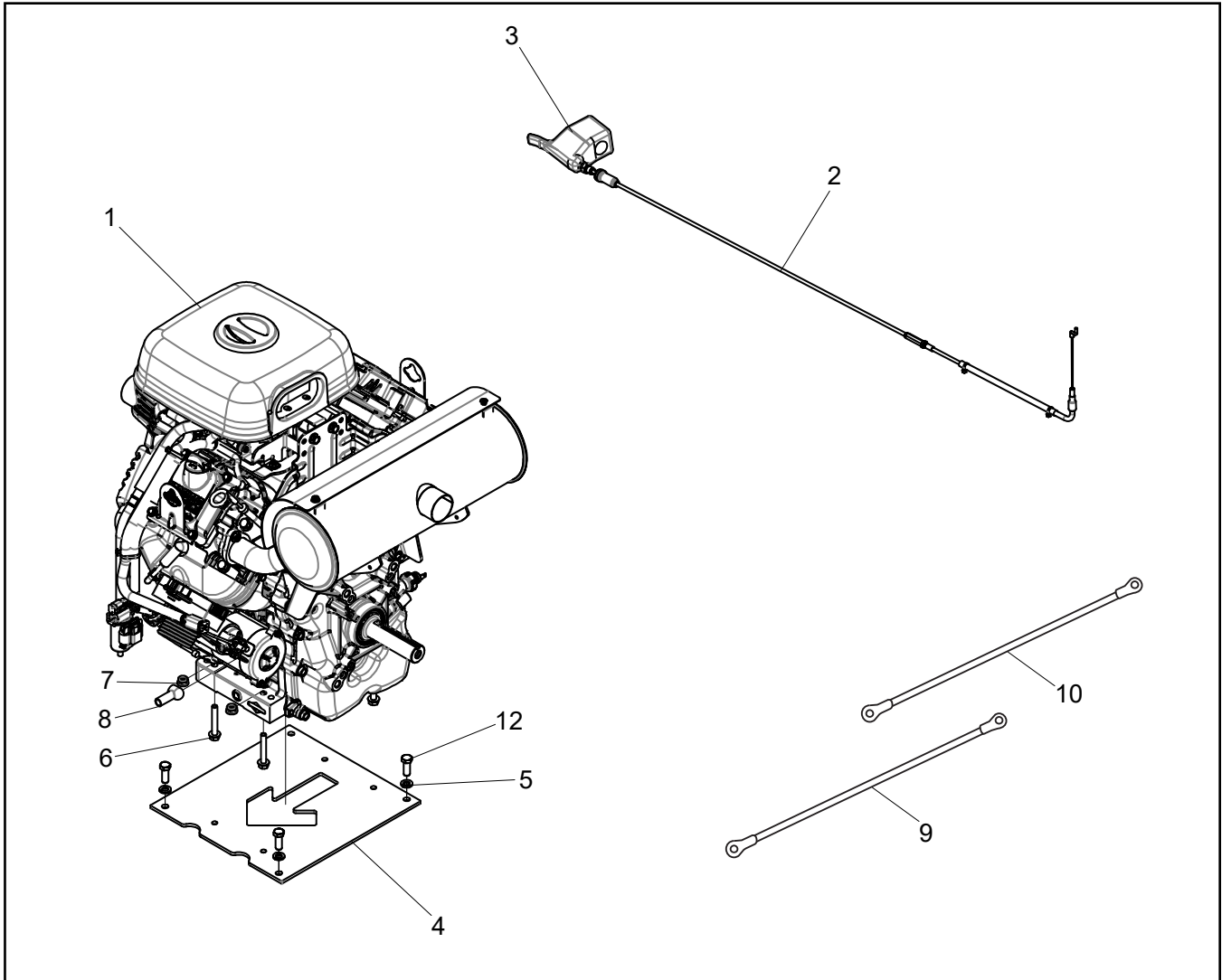




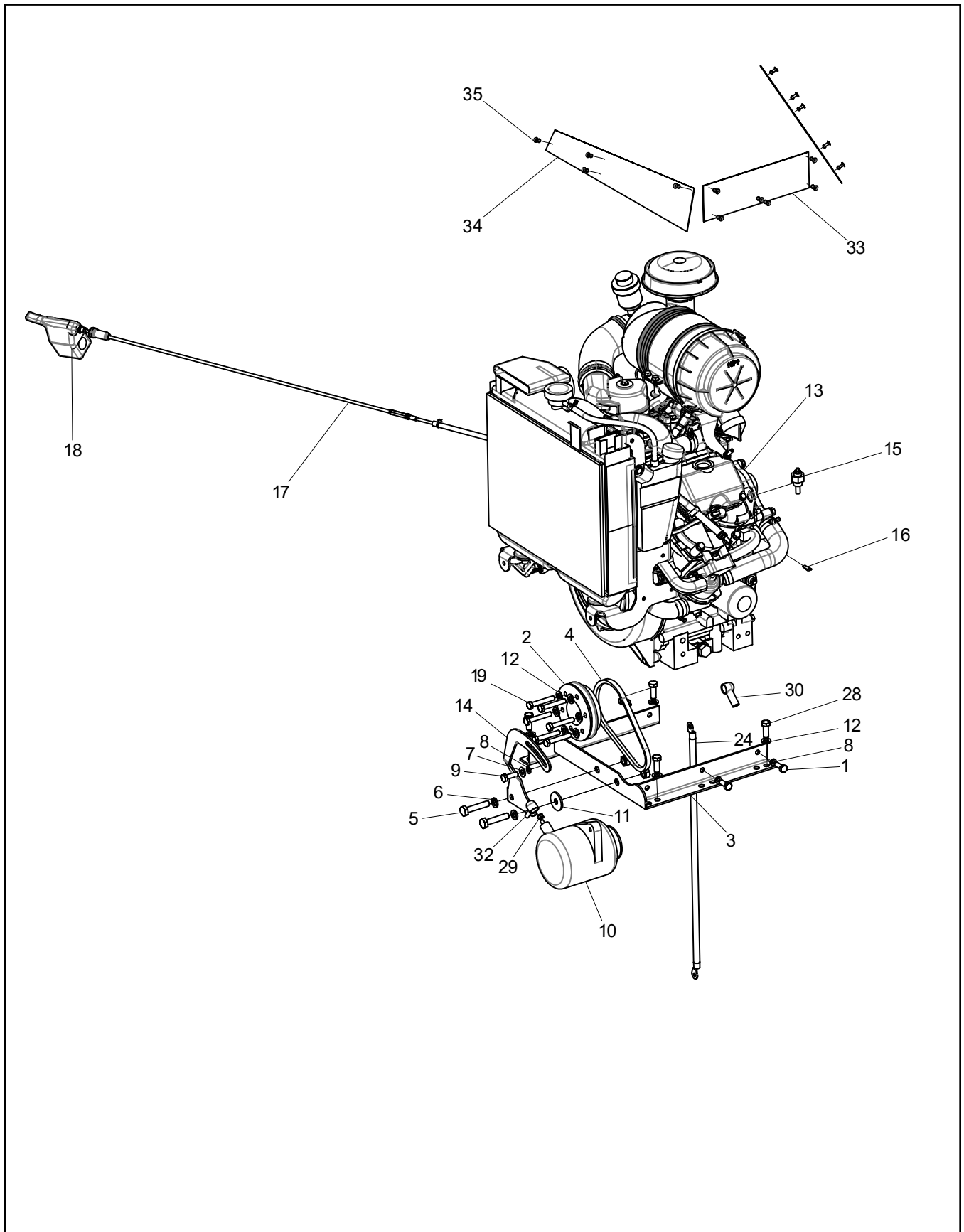




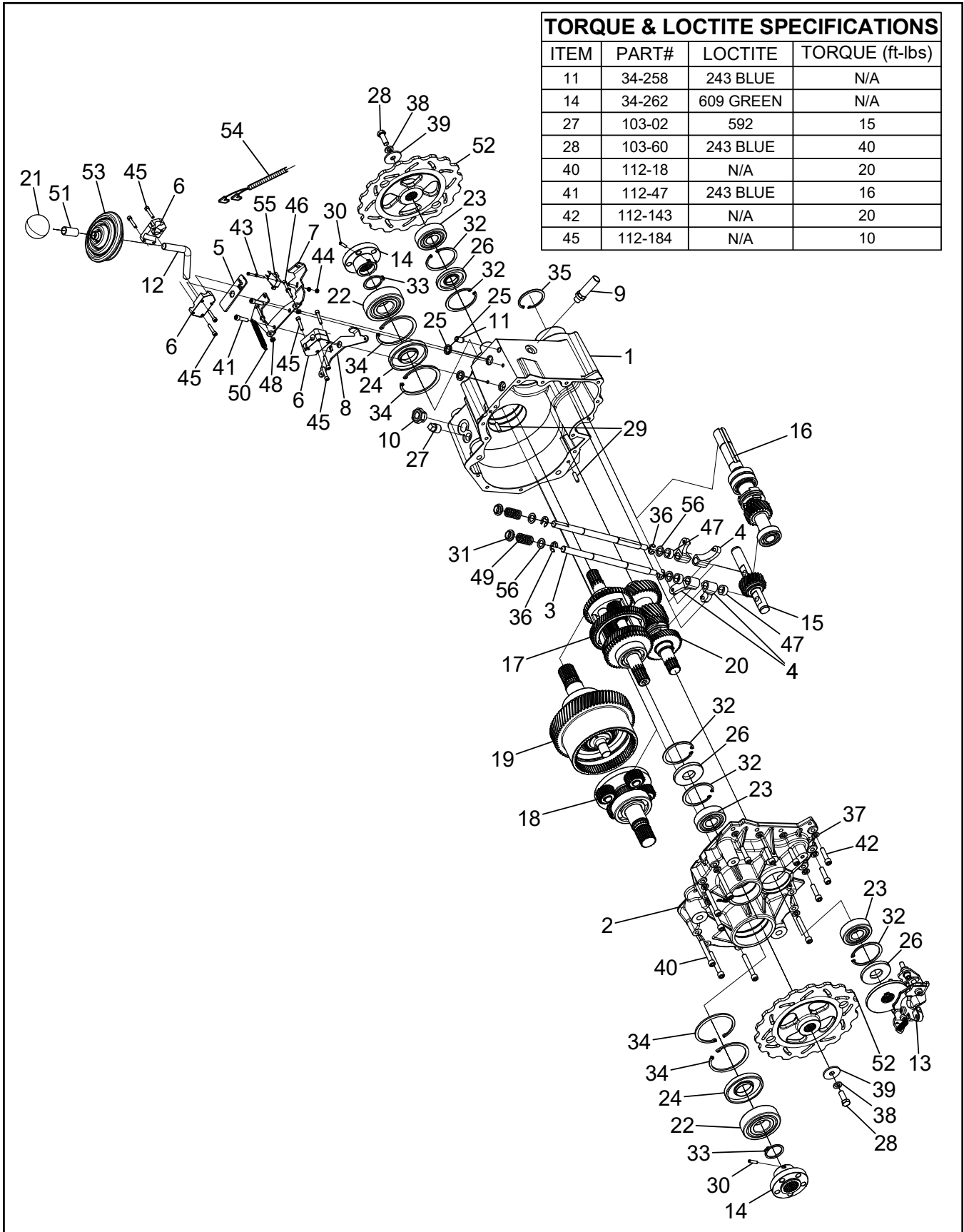
Ref.	Qty.	Part #	Description
1	1	500-0094	CLUTCH, DRIVE - 53/GRN
2	1	500-0095	CLUTCH, DRIVEN - 36/PUR
3	1	127-159HD	DRIVE BELT, 31x 1134 - HEAVY DUTY
4	1	110-03	KEY 1/4X3/16X2.375 RC46
5	1	108-58	WASHER .47x1.37x.12 HI-CARBON
6	1	500-0104	WASHER, DRIVEN - STEPPED
7	1	500-0110	KEY, 1/4 X 1/4 X 35MM 45RC
8	1	108-06	LOCKWASHER 3/8 SPLIT-RING ZN
9	1	200-0145-350	HHCS, 7/16-20 x 3.5
10	1	500-0111	SPACER, DRIVEN
11	1	200-0146-400	HHCS, 3/8-16 x 4
13	1	500-0141	CLUTCH, DRIVE - 35/GRN FD851D
14	1	200-0157-110	HHCS, M10x1.5x100 GR8.8 ZN



Ref.	Qty.	Part #	Description
1	1	400-0144	ENGINE, B&S40 - 61G3770106J1
2	1	10629C	THROTTLE CABLE, B&S BB
3	1	10509C	THROTTLE, FINGER
4	1	300-0535	PLATE, MOUNT ENGINE
5	4	108-06	LOCKWASHER 3/8 SPLIT-RING ZN
6	4	200-0111-200	HWHCS 5/16-18x2.00 GR8 YZN
7	4	200-0112-031	HXFNN, 5/16-18 GR8 YZN
8	1	613-46	INSULATOR, TERMINAL (2 Ga.)
9	1	10328C	CABLE, BATTERY POSITIVE
10	1	600-0212	CABLE, 4 AWG BLACK, RING 1/4-1/4
11	1	100-93	OIL, MOTOR - 10W30
12	4	103-17	HHCS 3/8-16x1.0 GR5 ZINC
13	1	600-0265	HARNESS, PUMP & SENDER - CONQUEST

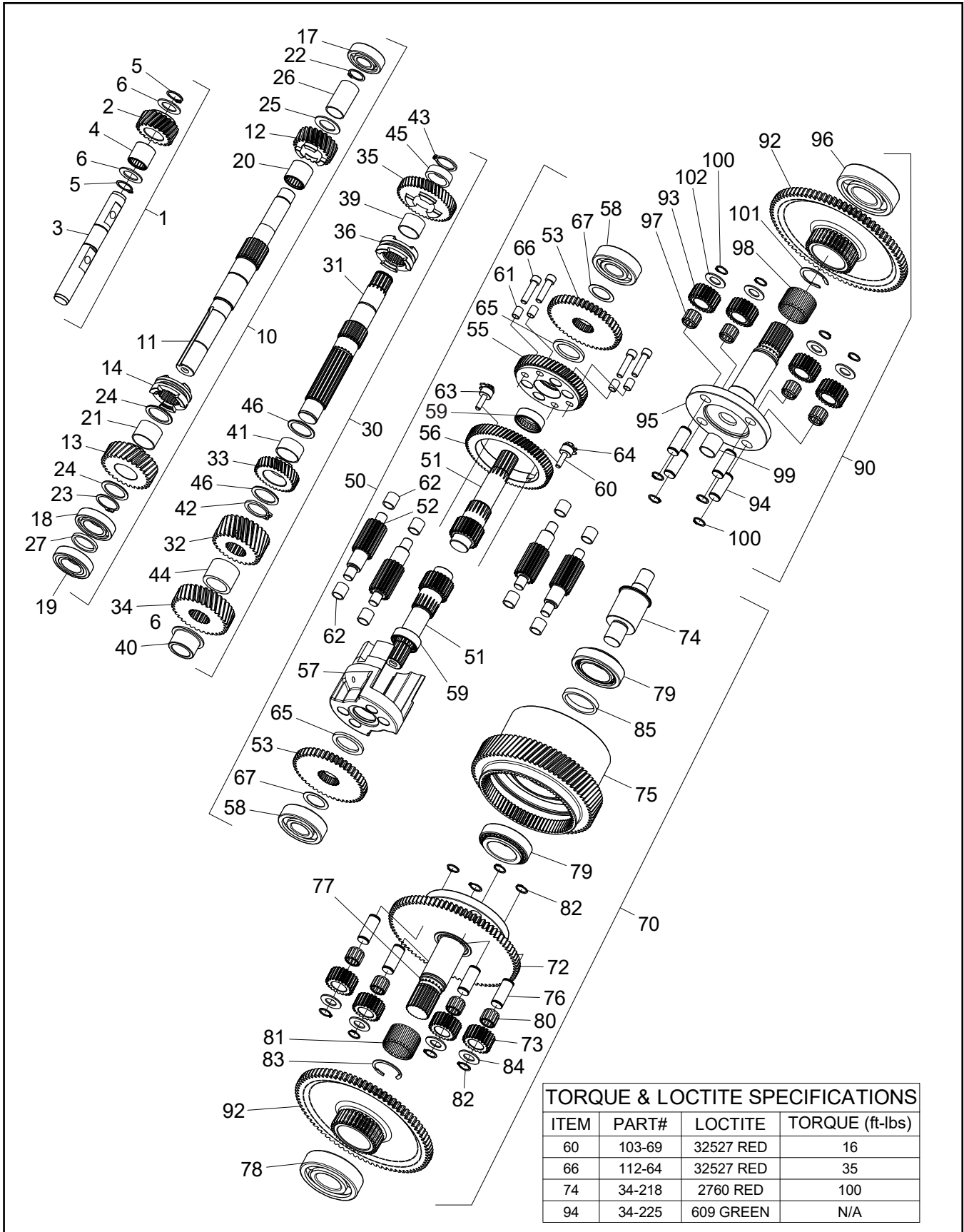


Ref.	Qty.	Part #	Description
1	4	112-111	HHCS M8x1,25x20 (8.8) ZN
2	1	400-0020	PULLEY, ALTERNATOR
3	1	400-0042	MOUNT, ENGINE - FORWARD ALT
4	1	850-45	V-BELT 3/8" x 19"
5	2	112-22	HHCS M10x1,5x50mm ZINC
6	2	108-67	LOCKWASHER M10 SPLIT-RING ZNC
7	1	108-24	WASHER .34x.70x.06 ZINC
8	5	108-105	LOCKWASHER, 1/4 SPLIT, BLK ZN
9	1	112-20	HHCS M8x1,25x25mm ZINC
10	1	850-237	ALTERNATOR, 60AMP
11	1	108-18	WASHER .40x1.37x.12 ZINC
12	10	108-06	LOCKWASHER 3/8 SPLIT-RING ZN
13	1	400-0021	ENGINE, KAWASAKI FD851 - 31HP
14	1	400-0041	BRACKET, FRONT - 60AMP
15	1	600-0225	SENSOR, TEMP - COOLANT
16	1	10120B003	MALE TAB ADAPTER, #10 RING TONGUE
17	1	400-0093	CABLE, THROTTLE - FD851D
18	1	10509C	THROTTLE, FINGER
19	6	200-0126-050	HHCS, M8x1.25x50mm
20	1	600-0043	CABLE, BATTERY NEGATIVE
21	1	600-0228	HARNESS, ADAPTER - FD851D (not shown)
22	1	100-93	OIL, MOTOR - 10W30 (not shown)
23	1	600-0226	CABLE, 10 AWG RED, RING 1/4-5/16
24	1	600-0227	CABLE, 4 AWG RED, RING 1/4-5/16
27	1	635-01	COOLANT, ETHYLENE GLYCOL (not shown)
28	4	112-31	HHCS 3/8-16x1.0 2B GR8 ZINC
29	1	112-115	LOCKNUT, NYLON M6x1 ZN
30	1	613-46	INSULATOR, TERMINAL (2 Ga.)
31	1	613-222	WIRE HARNESS, ALT 60A XTI (not shown)
32	1	613-45	INSULATOR, TERMINAL (6 Ga.)
33	1	953-31RM	SCREEN, FRONT HOOD, TTN, RM
34	2	953-30RM	SCREEN, SIDE HOOD, TTN, RM
35	15	120-11	RIVET, 5/32 x .157-.472



## 2022 Conquest Parts Manual 14.0 Transmission, Admiral (34-200-7.1)

Ref.	Qty.	Part #	Description	Ref.	Qty.	Part #	Description
1	1	34-227	Housing, Transmission	36	4	106-30	Retaining Ring E-0050 E
2	1	34-228	Cover, Transmission	37	10	108-05	Lockwasher 5/16 Split-Ring Zn
3	2	34-231	Shaft, Shift - F-N-R	38	2	108-06	Lockwasher 3/8 Split-Ring Zn
4	4	34-232	Fork, Shift - Half	39	2	108-18	Washer .40x1.37x.12 Zn
5	1	34-233	Plate, Detent	40	7	112-18	SHCS 5/16-18x2.25
6	4	34-236	Clamp, Lever Shaft	41	2	112-47	SHCS 1/4-20x1.0 Zn
7	1	34-241	Bracket, Switch, Spring Mount	42	6	112-143	SHCS 5/16x1.25 Zn
8	1	34-242	Bracket, Spring Mount	43	2	112-172	SHCS 5-40x3/4 Zn
9	1	34-245	Plug, Fill/Vent 1/4 BSPP	44	2	112-173	Locknut, #5-40, Zn
10	1	34-251	Sight Glass, Aluminum, 1/2 BSP	45	8	112-184	SHCS, 10-32x1
11	1	34-258	Plunger, Ball-Nose Spring	46	2	112-195	SHCS 8-32 x 1.5 Stainless
12	1	34-259	Lever, Titan, F-N-R	47	3	114-21	Spacer, .51x.75x.36
13	1	34-261	Brake, Caliper Asy	48	4	117-92	Nut, Hex Machine #8-32 Zn
14	2	34-262	Coupler, Output Shaft, Pinned	49	2	127-186	Spring, Comp. 0.70x1.28
15	1	34-290	Asm, Reverse Shaft-ADM	50	1	127-194	Spring, Ext .360 x 3.0
16	1	34-291-7.3	Asm, Input Shaft - ADM	51	1	127-229	Sleeve, Insulating - 1.25"
17	1	34-292	Asm, Differential - ADM	52	2	165-22	Disc, Brake
18	1	34-293	Asm, Output Shaft RH - ADM	53	1	609-44	Boot, F-N-R Shifter
19	1	34-294	Asm, Output Shaft LH - ADM	54	1	613-112	Wire Harness, Neutral Start
20	1	34-295-7.3	Asm, Idler Shaft - ADM	55	1	613-151	Switch, Micro, Roller Lever
21	1	34-344	Knob, Shift - Plain	56	4	12731594	Washer, Flat 13,0x20,0x 2,0
22	2	101-81	Bearing, Ball 6307 ZZE				
23	3	101-86	Bearing, Ball 6305 ZZ				
24	2	102-33	Seal, Oil 35x80x10				
25	2	102-36	Seal, Shift Shaft - 0.5x.75x.125				
26	3	102-37	Seal, Oil 25x62x7				
27	1	103-02	Plug, Magnetic 3/8-18NPT SQ.HD				
28	2	103-60	HHCS 3/8-24 x 1 Gr5				
29	2	104-03	Pin, Dowel 1/4x7/8				
30	2	104-75	Pin, Spring, 3/16x13/16 Zn				
31	2	105-33	Bushing, Flange				
32	5	106-05	Retaining Ring HO-244-PA				
33	2	106-23	Retaining Ring SHR-0137-PA				
34	4	106-24	Retaining Ring H0-312-PA				
35	1	106-26	Retaining Ring H0-206-PA				

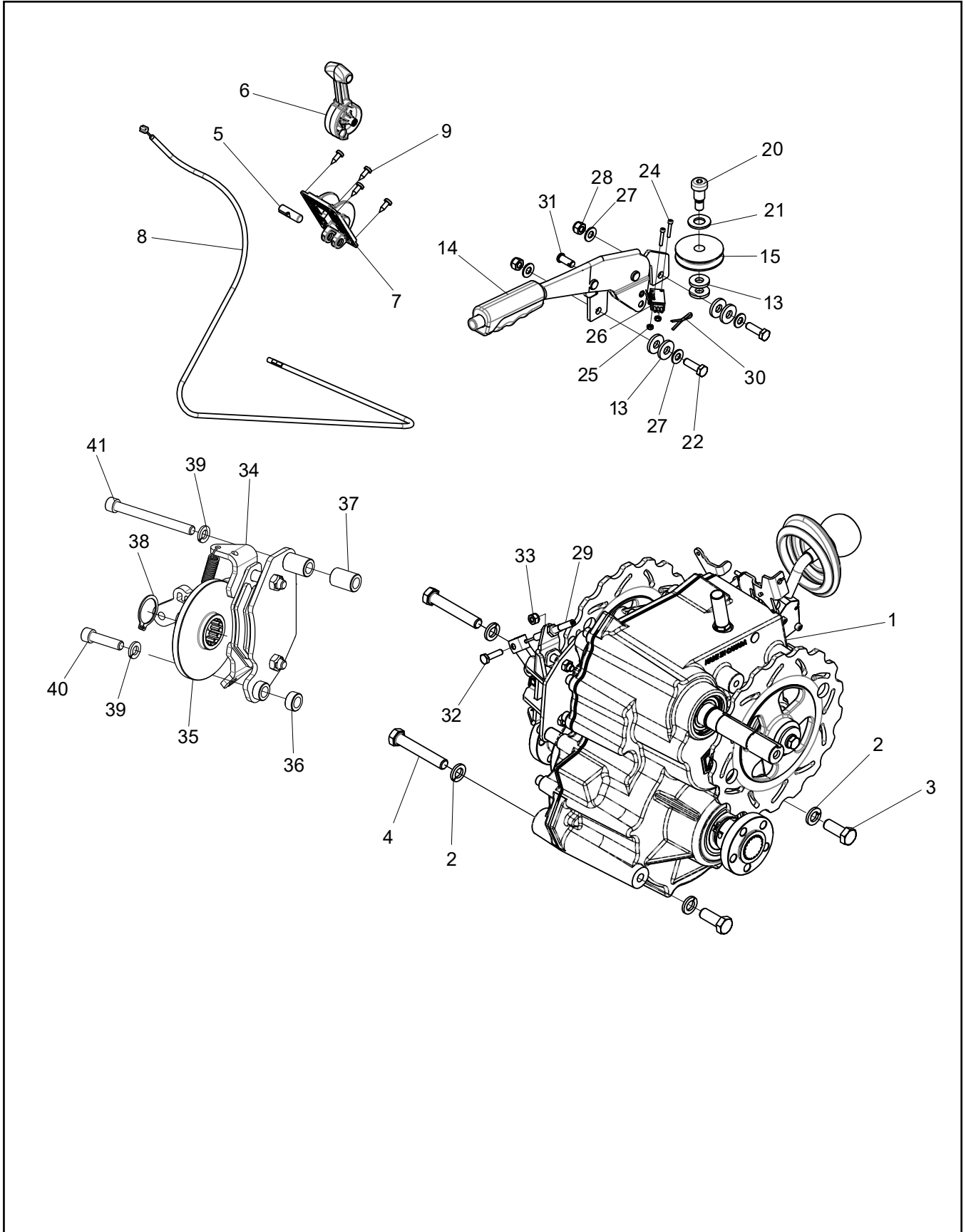




## 2022 Conquest Parts Manual

## 14.1 Transmission Sub-Assemblies

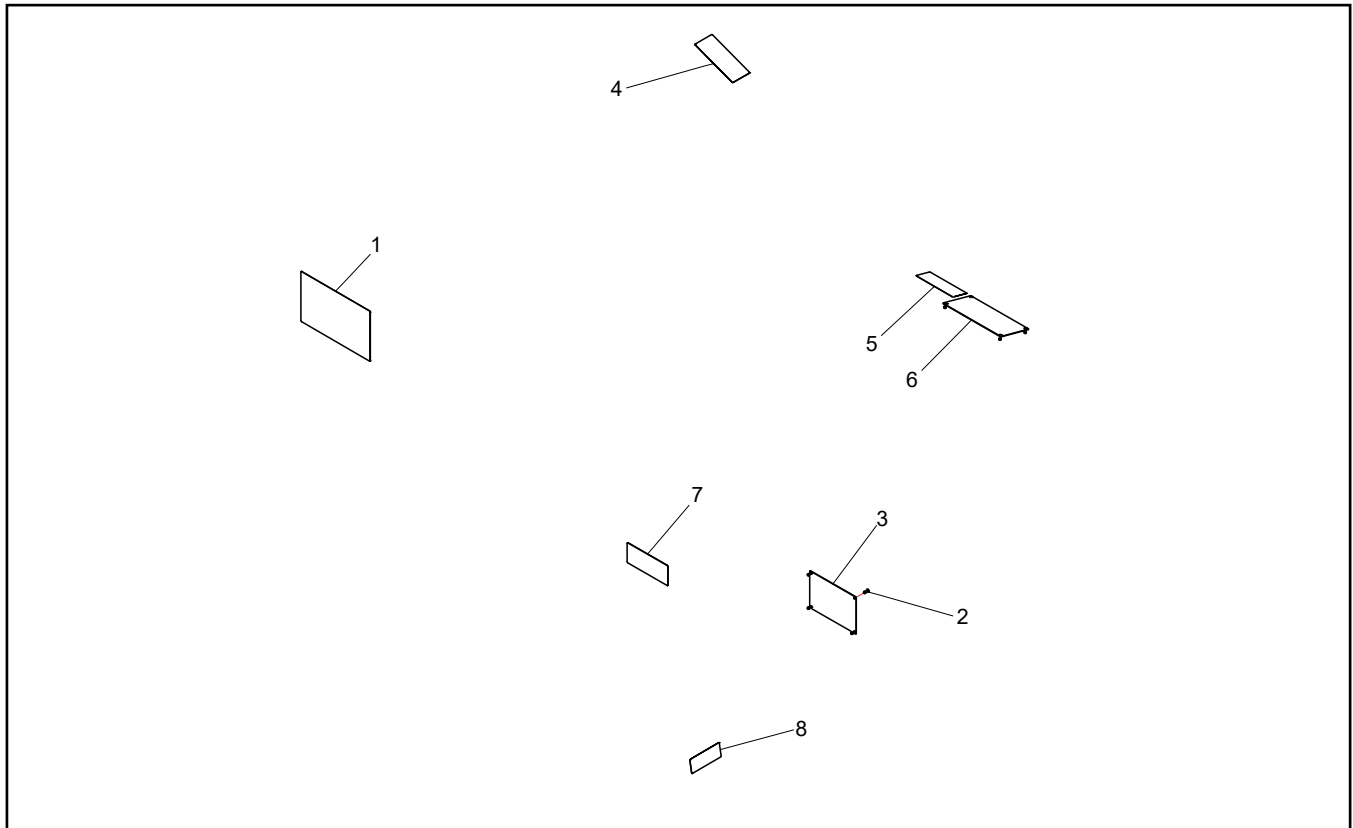
Ref.	Qty.	Part #	Description	Ref.	Qty.	Part #	Description
<b>1</b>	<b>1</b>	<b>34-290</b>	<b>Asm, Reverse Shaft - ADM. includes:</b>	60	2	103-97	HHCS 1/4-20x1.25 Gr5 Brz
2	1	34-220	Pinion, Idler - 20T	61	4	105-23	Bushing, Dowel - .312 x .5
3	1	34-221	Shaft, Shift - Reverse	62	8	105-27	Bushing, Oilite .5x.625x.625
4	1	101-87	Bearing, Needle HMK20x27x25	63	2	105-28	Bushing, Dowel .26x.625x.36
5	2	106-25	Retaining Ring SH-0078-PA	64	2	500-0029	Washer Lock Tab
6	2	108-99	Washer, Thrust .79x1.25x.06	65	2	108-94	Washer, Thrust 1.25x1.688x.125
<b>10</b>		<b>34-291-7.3</b>	<b>Asm, Input Shaft Includes:</b>	66	4	112-64	SHCS 5/16-18x1.25
11	1	34-213	Shaft, Input	67	2	114-16	Washer, Shim .99x1.375x.030
12	1	34-214	Pinion, Reverse - 21T, 12DP	<b>70</b>	<b>1</b>	<b>34-294-HS</b>	<b>Asm, Output Shaft LH- Adm. includes:</b>
13	1	34-215	Pinion, Forward - 27T, 12DP	72	1	34-207-HS	Gear, Sun - 84T, 35T
14	1	34-224	Collar, Shift, For-Rev	73	4	34-217	Gear, Planet - 21T
17	1	101-01	Bearing, Ball 6204Z-C3	74	1	34-218	Shaft, Planetary Stub
18	1	101-88	Bearing, Ball 60/28	75	1	34-219	Hub, Planetary, 73T, 79T
19	1	101-89	Bearing, Ball 60/28 LLU	76	4	34-225	Pin, Planet Carrier
20	1	101-90	Bearing, Needle HK2220	77	1	34-263	Carrier Shaft, Grooved LH
21	1	105-32	Bushing, Bronze 1.125 x 1.25 x .875	78	1	101-73	Bearing, Ball 6307 CL.N.
22	1	106-25	Retaining Ring SH-0078-PA	79	2	101-76	Bearing, Taperd Roller 32008X
23	1	106-27	Retaining Ring SH-112-PA	80	4	101-82	Bearing, Needle K15x21x17
24	2	108-98	Washer, Thrust 1.13x1.46x.062	81	1	101-83	Bearing, Needle KJ37x42x27S
25	1	114-17	Washer, Thrust .866x1.38x.062	82	8	106-22	Retaining Ring SH-0056-PA
26	1	114-18	Spacer, .870x1.0x1.68	83	1	106-31	Retaining Ring C-0137
27	1	114-19	Spacer, 1.12x1.375x.148	84	4	108-93	Washer, .59x1.10x.06
<b>30</b>		<b>34-295-7.3</b>	<b>Asm, Idler Shaft includes:</b>	85	1	114-22	Spacer, 1.585x1.75x.245
31	1	34-208	Shaft, Idler	<b>90</b>	<b>1</b>	<b>34-293-HS</b>	<b>Asm, Output Shaft RH- ADM includes:</b>
32	1	34-209	Pinion, Helical - 27T 12 DP	92	1	34-207-HS	Gear, Sun - 84T, 35T
33	1	34-210	Pinion, Helical - 31T	93	4	34-217	Gear, Planet - 21T
34	1	34-211	Gear, Helical - 35T	94	4	34-225	Pin, Planet Carrier
35	1	34-212	Pinion, Helical - 45T	95	1	34-264	Carrier Shaft, Grooved RH
36	1	34-223	Collar, Shift, Hi-Low	96	1	101-73	Bearing, Ball 6307 CL.N.
39	1	105-29	Bushing, Oilite 1.0x1.125x.75	97	4	101-82	Bearing, Needle K15x21x17
40	1	105-30	Bushing, Flanged 1x1.375	98	1	101-83	Bearing, Needle KJ37x42x27S
41	1	105-31	Bushing, Bronze 1.125x1.25x.625	99	1	105-26	Bushing, Oilite .75x.875x.875
42	1	106-28	Retaining Ring SHR-0112-PA	100	8	106-22	Retaining Ring SH-0056-PA
43	1	107-15	Retaining Ring SHR-98-PA	101	1	106-31	Retaining Ring C-0137
44	1	108-96	Spacer, 1.125x1.5x1.083	102	4	108-93	Washer, .59 x 1.10 x .060
45	1	108-97	Spacer, 1.01x1.3x.409				
46	2	108-98	Washer, Thrust 1.13x1.46x.062				
<b>50</b>	<b>1</b>	<b>34-292-HS</b>	<b>Asm, Differential - ADM. includes:</b>				
51	2	34-201	Shaft, Brake				
52	4	34-202	Gear, Planet - 15T				
53	2	34-203-HS	Pinion, Spur - 43T				
55	1	34-204	Gear, Helical - 55T				
56	1	34-205	Gear, Helical - 67T				
57	1	34-206	Cage, Differential				
58	2	101-40	Bearing, Ball 6305 Open				
59	2	101-84	Bearing, Needle HK3012				



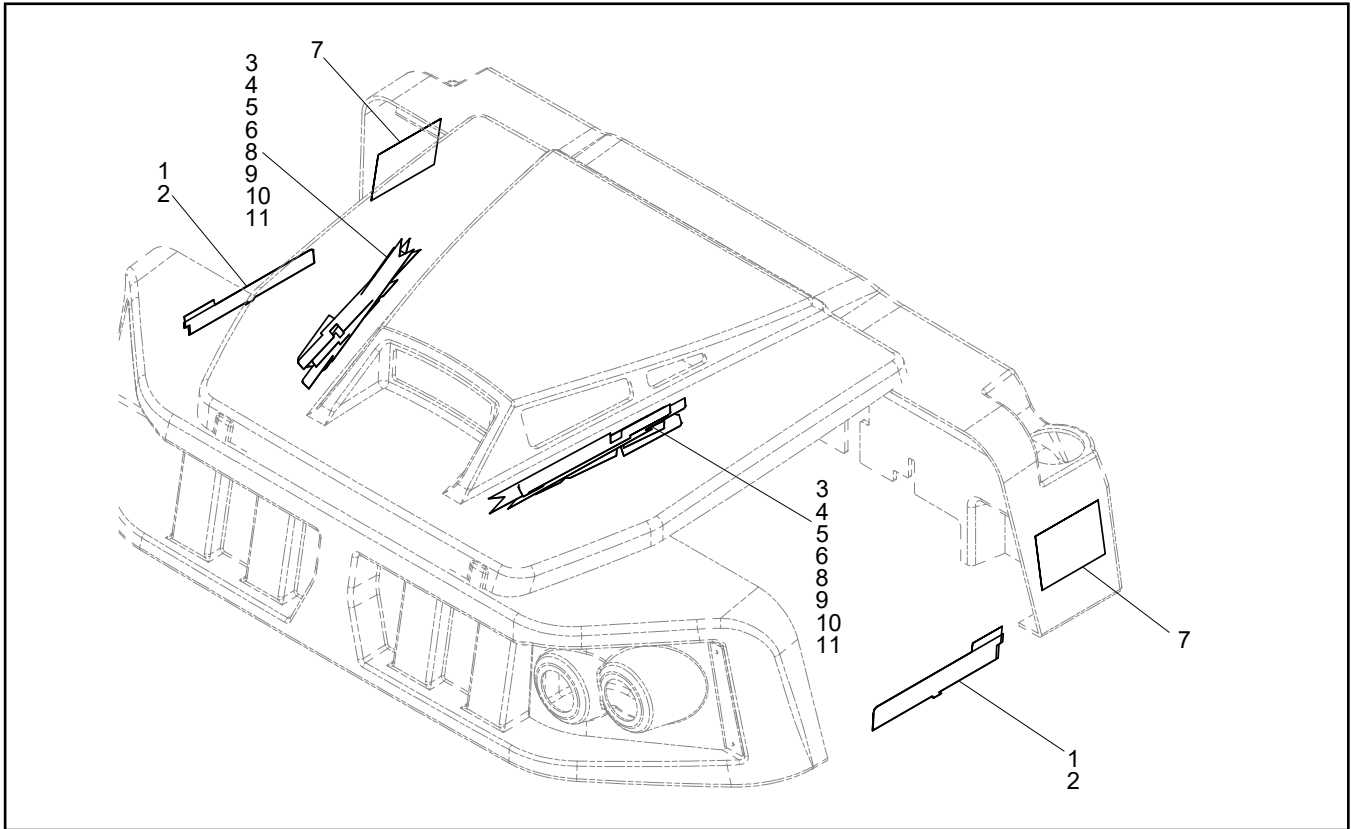
Ref.	Qty.	Part #	Description
1	1	34-200-CN1	TRANSMISSION, LOW SHIFT - 8.1
2	4	108-107	LOCKWASHER 1/2 SPLIT-RING ZNC
3	2	112-189	HHCS 1/2-13x1.25 GR5 ZN
4	2	112-190	HHCS 1/2-13x3.00 GR5 ZN
5	1	104-66	PIN, HD SHIFT CABLE THREADED
6	1	127-212	PIVOT, HI-LO SHIFTER
7	1	127-211	BRACKET, HI-LO SHIFTER
8	1	500-0001	CABLE, SHIFT
9	4	103-48	T/S PAN HD PHIL #10x5/8 A BLK
13	6	108-47	WASHER .39x.94x.13 ZN DI-CHRO
14	1	809-147	LEVER, PARKING BRAKE
15	1	850-79	PULLEY, PARKING BRAKE
20	1	112-178	BOLT, SHOULDER, 1/2 x 5/8
21	1	108-35	WASHER .53x1.06x.09 ZN
22	2	103-06	HHCS 5/16-18x1.0 GR5 ZN
24	2	112-172	SHCS 5-40x3/4 ZN
25	2	112-173	LOCKNUT, #5-40, ZN
26	1	10119B	SWITCH, MICRO ROLLER LEVER LONG
27	4	108-24	WASHER .34x.70x.06 ZN
28	2	200-0018-031	HXNN, 5/16-18 GR8 BNZ
29	1	850-81	CABLE, PARKING BRAKE
30	1	100-100	PIN, COTTER 1/8x3/4 ZN
31	1	104-27	PIN, CLEVIS 5/16x3/4 ZIN
32	1	103-08	HHCS 1/4-20x1.0 GR5 ZN
33	1	117-27	LOCKNUT, NYLON 1/4-20 ZN
34	1	165-50	CALIPER, PARKING BRAKE ASY
35	1	165-52	ROTOR, E-BRAKE
36	1	165-49	SPACER, .625OD x .12WALL x .30
37	1	165-48	SPACER, .625OD x .12WALL x .90
38	1	106-29	RETAINING RING SH-0093-PA
39	2	108-05	LOCKWASHER 5/16 SPLIT-RING ZNC
40	1	112-143	SHCS 5/16x1.25 ZINC
41	1	112-228	SHCS 5/16-18x3.25 ZINC

# 15.0 Labels

# 2022 Conquest Parts Manual



Ref.	Qty.	Part #	Description
1	1	700-0288	LABEL, OPERATION
2	8	120-24	RIVET, ALUM - 3/32 x 3/8 BLACK
3	1	129-08	PLATE, PIN - BLANK
4	1	700-0286	LABEL, FUEL
5	1	700-0285	LABEL, FLOOR PAN
6	1	129-09	PLATE, CAPACITY - BLANK
7	1	700-0287	LABEL, GEARED BY ODG
8	1	700-0289	LABEL, WARNING HOT



Ref.	Qty.	Part #	Description
1	2	700-0293	DECAL, CONQUEST
2	2	700-0294	DECAL, CONQUEST PRO
3	2	700-0295	DECAL, OUTFITTER 950
4	2	700-0296	DECAL, XT950
5	2	700-0297	DECAL, XT-X950
6	2	700-0298	DECAL, XT-L950
7	2	10610C	DECAL - ARGO SHIELD - FLAT
8	2	700-0359	DECAL, OUTFITTER 800
9	2	700-0360	DECAL, XT800
10	2	700-0361	DECAL, XT-X800
11	2	700-0362	DECAL, XT-L800

MAIN RELAY	LIGHTS ENABLE RELAY	ACC. RELAY	OPTIONAL A RELAY	HOOD FAN RELAY
SCW 10A	GAUGE 2A	BRKES FAN 7.5A	HOOD FAN 20A	OPTIONAL B RELAY
STARTER 10A	RELAY SINGLE A 10A	USER D'OUTLET 10A	FOURN 10A	STARTER RELAY
HIGH BEAM 15A	WIPER 2A	DASH 7.5A	LOW BEAM RELAY	HOOD BEAM RELAY
LOW BEAM 10A	WIPER 15A	CHAIN OILER 10A		

RELAYS PRINCIPAL	RELAYS FACULTATIVES	RELAYS ACCESSOIRES	RELAYS OPTIONA	RELAYS DE VENTILATEUR DE CARTE
SCW 10A	VENTILATEUR DE FREN 7.5A	VENTILATEUR DE CARTE 20A	OPTIONAL B RELAY	RELAY DE VENTILATEUR
DEMARREUR 10A	RELAY CUI BELL 1A ACCESS 10A	PRISE CUIB 5A	ALUMIN 10A	
LIAMERE 10A	TREUIL 1A	TREUIL DE BOND 10A		
LIAMERE 10A	LIAMERE 10A	LIAMERE 10A		

Односторонние реле	Реле двигателя	Реле вентилятора	Конфигурация реле (A)	Реле вентилятора в кабине
SCW 10A	Датчик 2A	Вентилятор тормозов 7.5A	Конфигурация реле (B)	Реле вентилятора
Стартер 10A	Реле цепи зажигания 10A	Вентилятор двигателя 20A	Конфигурация реле (C)	Реле вентилятора
Высокий луч 15A	Вентилятор 10A	Вентилятор двигателя 10A	Конфигурация реле (D)	Реле вентилятора
Низкий луч 10A	Вентилятор 15A	Вентилятор двигателя 10A	Конфигурация реле (E)	Реле вентилятора

1

2

3

HEATED GRIPS 5A	HEATER FAN 15A	ALTERNATOR 5A
-----------------	----------------	---------------

4

ПОДВЕЕС ЧАЛПАНТАС 5A	ВЕНТАЛАТУР ДУ ЧАЛПАНТАС 15A	АЛТЕРНАТОР 5A
----------------------	-----------------------------	---------------

5

Греющие ручки 5A	Вентилятор отопителя 15A	Генератор 5A
------------------	--------------------------	--------------

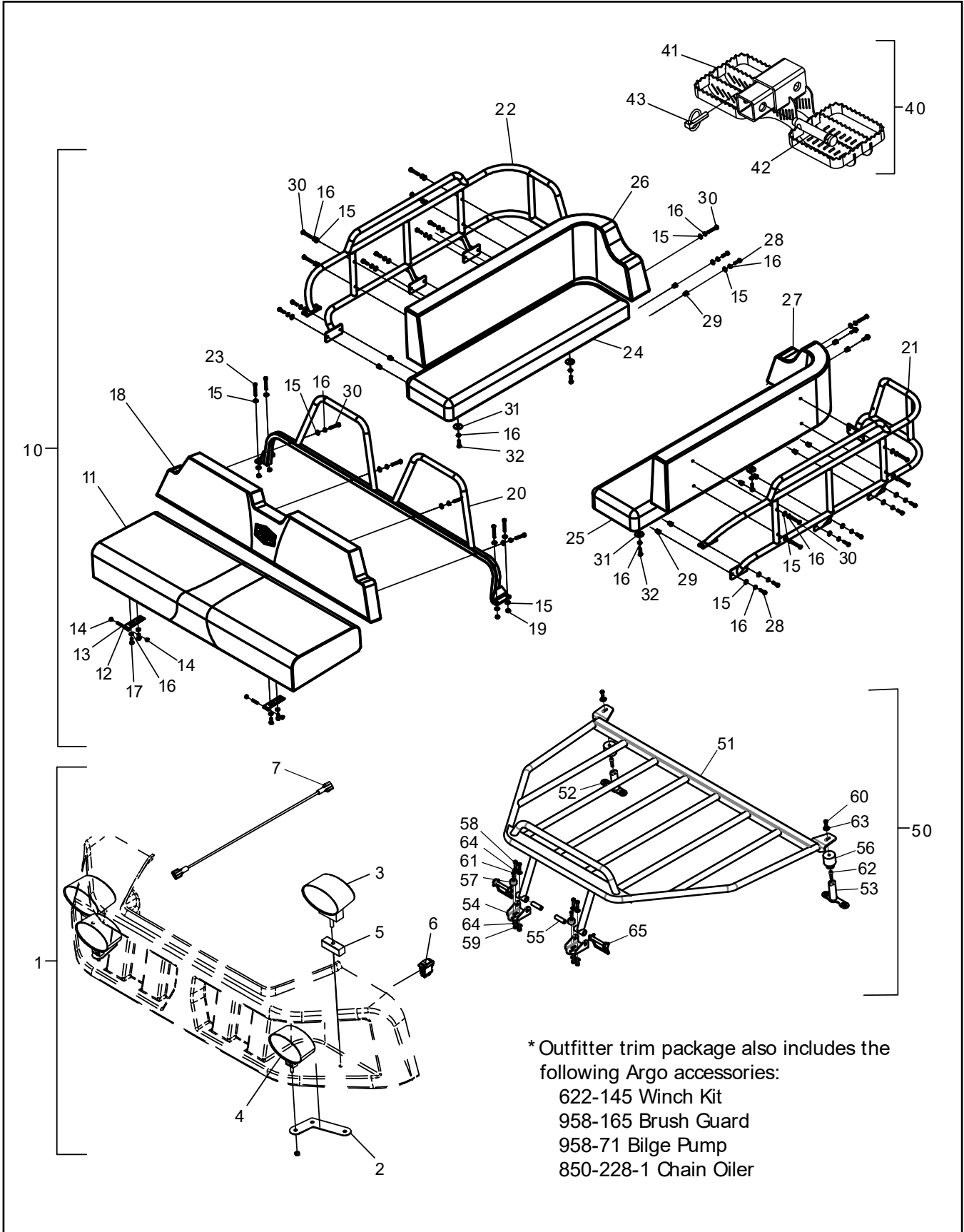
6

7

8

9

<b>FUSE PANEL LABELS - EN FR RU</b>			
<b>Ref.</b>	<b>Qty.</b>	<b>Part #</b>	<b>Description</b>
1	1	600-0157	Label, Fuse Panel
2	1	600-0157-FRE	Label, Fuse Panel - French
3	1	600-0157-RUS	Label, Fuse Panel - Russian
4	1	600-0158	Label, Secondary Fuse Panel
5	1	600-0158-FRE	Label, Secondary Fuse Panel - French
6	1	600-0158-RUS	Label, Secondary Fuse Panel - Russian
<b>LABEL SHEETS - FR RU</b>			
<b>Ref.</b>	<b>Qty.</b>	<b>Part #</b>	<b>Description</b>
7	1	700-0376	Label Sheet, Conquest - French
8	1	700-0377	Label Sheet, Conquest - Russian
<b>OPERATOR'S MANUAL - EN</b>			
<b>Ref.</b>	<b>Qty.</b>	<b>Part #</b>	<b>Description</b>
9	1	100-0232	Operator's Manual, Conquest



\* Outfitter trim package also includes the following Argo accessories:  
 622-145 Winch Kit  
 958-165 Brush Guard  
 958-71 Bilge Pump  
 850-228-1 Chain Oiler



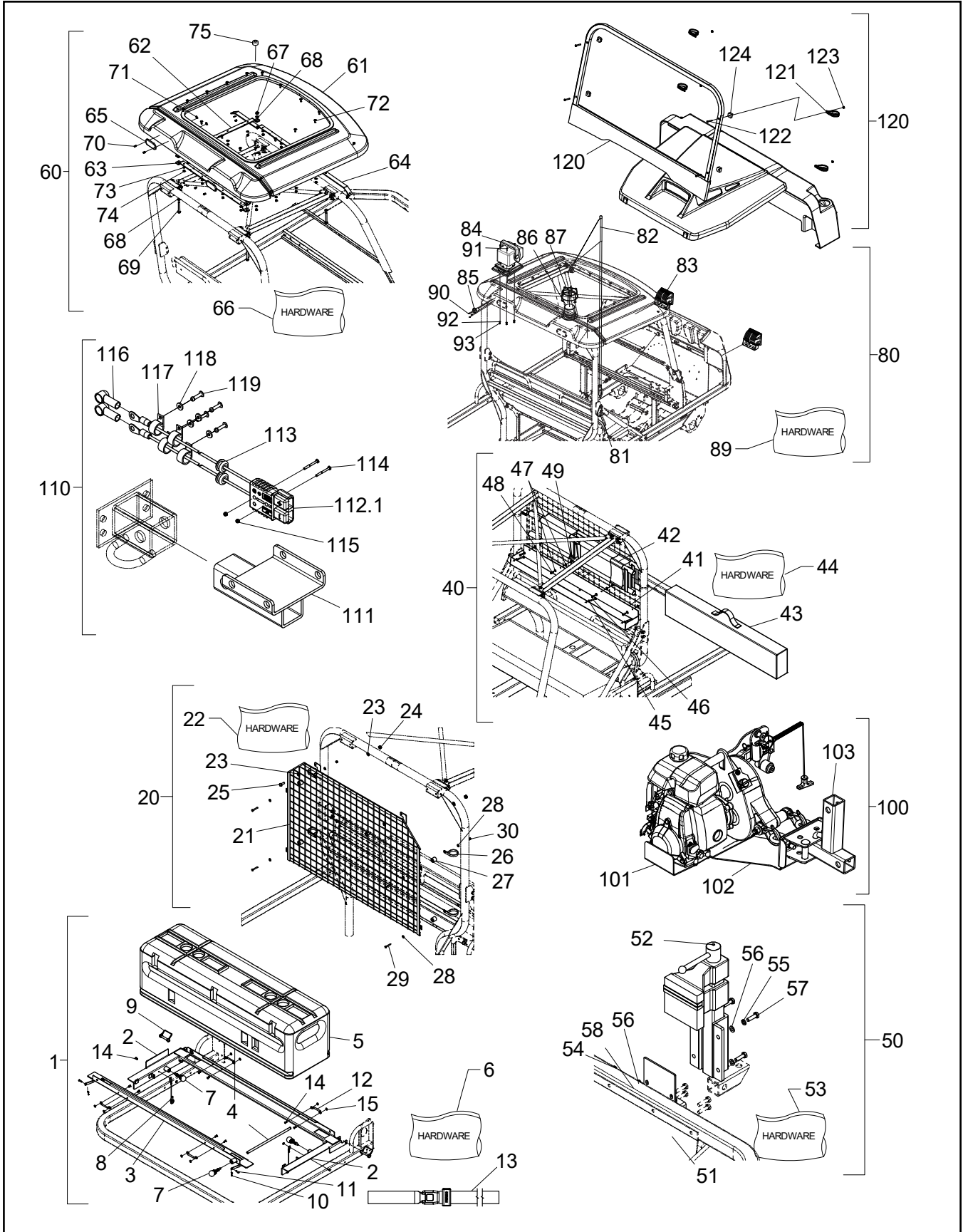
## 2022 Conquest Parts Manual

## 16.0 Outfitter Trim Package

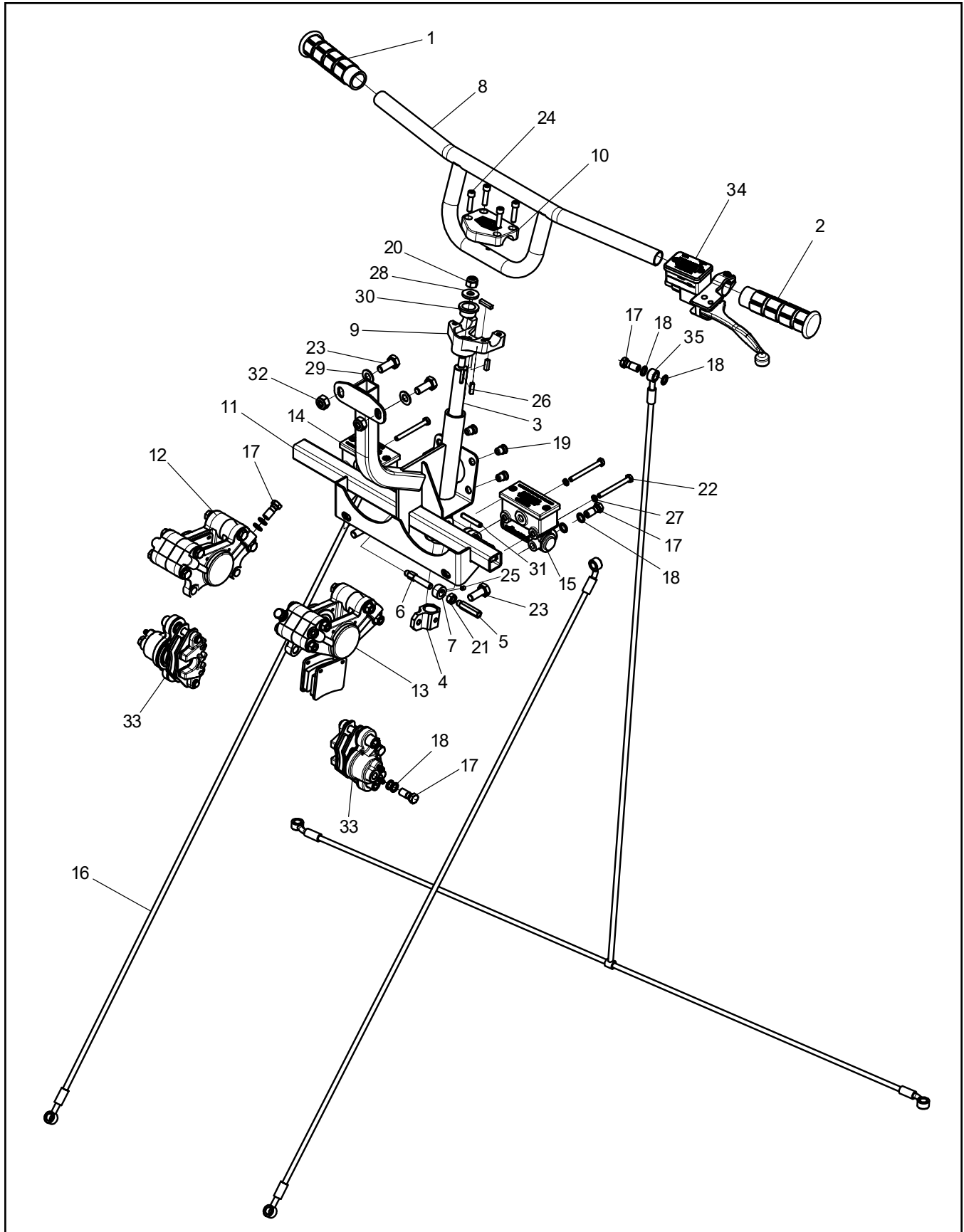
Ref.	Qty.	Part #	Description	Ref.	Qty.	Part #	Description
<b>1</b>	<b>1</b>	<b>958-275</b>	<b>Acc, Outfitter Lighting includes:</b>	58	4	112-220	HHCS M6x1x20mm Gr 8.8 Zn
2	2	958-273	Bracket, Headlight, XT	59	4	112-115	Locknut, Nylon M6x1 Zn
3	2	613-234	Light, Cree Led Fog, 20W	60	2	112-118	HHCS M6x1,0x15mm
4	2	613-235	Light, Led Work, 24W	61	2	112-56	T/S Pan Hd Phil #10x3/4 Blk
5	2	958-270	Plastic, Headlight	62	2	112-47	SHCS 1/4-20x1.0 Zn
			Spacer, Outftr	63	2	108-25	Washer .31x.75x.06 Zn
6	1	613-77	Switch, Light	64	8	108-08	Washer .28x.62x.07 Zn
7	1	613-258	Wire, Fog Light Acc.	65	2	104-45	Pin, Safety, 3/8x2-1/4
8	9	112-139	OHPS T/S #4x5/8 Black Zn				
<b>10</b>	<b>1</b>	<b>720-07</b>	<b>Seat Group, Outfitter - Conquest includes:</b>				
11	1	608-88CF	Seat Asm, Bench, CF				
12	2	608-81	Hinge, Seat, Bolted				
13	2	104-43	Dowel Pin, 3/16x1-1/8" SS				
14	4	120-31	Rivet, 3/16" x 1/4", Open End				
15	38	108-08	Washer .28x.62x.07 Zn				
16	38	108-03	Lockwasher 1/4 Split Ring Zn				
17	4	112-04	HHCS 1/4-20x3/4 Gr2 Zn				
18	1	850-415	Seat, Frnt Backrest, Deluxe				
19	4	112-115	Locknut, Nylon M6x1 Zn				
20	1	958-337	Frame, Conquest Backrest - Deluxe				
21	1	958-257	LH Rear Seat Frame, Outfitter				
22	1	958-263	RH Rear Seat Frame, Outfitter				
23	4	112-299	HHCS, M6x1x50mm				
24	1	850-419	Seat, R Rear Bench, Outfitter, CF				
25	1	850-418	Seat, L Rear Bench, Outfitter, CF				
26	1	850-417	Seat, R Rear Backrest, Outftr, CF				
27	1	850-416	Seat, L Rear Backrest, Outftr, CF				
28	16	112-97	Hex-head Bolt M6x25				
29	16	117-79	Insert, M6x1,0 -10mm OD				
30	14	112-297	HHCS 1/4-20x1.0 Full Thread				
31	4	108-01	Washer, Fender 1/4 BSx1.25OD				
32	4	103-08	HHCS 1/4-20x1.0 Gr5 Zn				
<b>40</b>	<b>1</b>	<b>958-240</b>	<b>Acc Rear Step, XT includes:</b>				
41	1	958-243	Wldt, Rear Step, XT				
42	1	104-13	Pin, Top Link				
43	1	104-11	CLP-580 Pin Lynch Locking-Ring-Clik Pins				
<b>50</b>	<b>1</b>	<b>900-0132</b>	<b>Hood Rack, XT includes:</b>				
51	1	300-0713	Wldt, Hood Rack				
52	1	300-0714	Support, Pin - Right				
53	1	300-0715	Support, Pin - Left				
54	2	300-0575	Bracket, Mount - Hood Rack				
55	2	300-0356	Tube, Nylon Bushing				
56	2	200-0026	Rubber Lock Assembly				
57	2	126-102	Bumper, Recessed Hole				

# 17.0 XT-L Trim Package

# 2022 Conquest Parts Manual



Ref.	Qty.	Part #	Description	Ref.	Qty.	Part #	Description
1	1	958-300	<b>Acc, Rear Rack, XT includes:</b>	69	4	112-120	HHCS M10x1,5x80mm Zn
2	1	958-302	Wldt, Rear Rack, XT	70	4	120-13	Rivet - 3/16 x 3/4 Black
3	1	958-303	Wldt, Rack Rail, XT	71	4	120-05	Washer .19x.50x.04 Zn
4	4	958-321	Rod, Rear Rack, Lineman	72	18	103-73	THMS, Phil 1/4-20x.75 Zn
5	5	958-281	Tool Box, Lineman	73	18	108-08	Washer .28x.62x.07 Zn
6	1	958-300HDW	Acc, Rear Rack Hardware	74	18	117-27	Locknut, Nylon 1/4-20 Zn
7	3	104-70	Pin, 3/8", Weld-In, Spring LD	75	1	126-120	Bumper, Rubber, 1" x 1"
8	2	104-86	Pin, Quick Release 3/8 x .5 W/Lanyard	<b>80</b>	<b>1</b>	<b>958-316*</b>	<b>Acc, Lighting, Lineman includes:</b>
9	2	104-45	Pin, Safety, 3/8x2-1/4	81	1	958-323	Brkt, Whip Light, Lineman
10	2	104-29	Pin, Cotter 1/16x3/4 Zn	82	1	613-256	Led Caution Whip
11	2	104-28	Pin, Clevis 1/4 x .780" Zn	83	2	613-247	Light, Led Headlight, XT
12	4	808-151	Loop, Footman 2" Zn	84	1	613-248	Light, Spot, Lineman
13	1	850-304	Restraint, Two 5ft Cot Straps	85	1	613-90	Outlet, 12 Volt Dc
14	10	120-13	Rivet - 3/16 x 3/4 Black	86	1	613-268	Light, Strobe, Amber
15	10	120-04	Washer .19x.50x.08 Zn	87	1	613-275	Strobe, Light Guard
<b>20</b>	<b>1</b>	<b>958-322</b>	<b>Acc, Rear Screen, Lineman includes:</b>	88	1	613-257	Wire Harness, Lights, Lineman (not shown)
21	1	958-310	Wldt, Rear Screen, Lineman	89	1	958-316HDW	Acc, Lighting, Lineman, Hardware
22	1	958-322HDW	Wldt, Rear Screen, Hardware	90	3	112-139	OHPS T/S #4x5/8 Black Zn
23	4	108-15	Washer .42x.81x.05 Zn	91	3	103-25	PHMS 10-24x3/4 Zn
24	2	117-60	Locknut, Nyloc M10x1.5mm Zn8	92	3	120-04	Washer .19x.50x.08 Zn
25	2	112-93	HHCS M10x1,5x25mm	93	3	117-10	Locknut, 10-24 N/I Zn
26	4	127-276	Clamp, Loop, 2 1/4"-XT	<b>100</b>	<b>1</b>	<b>958-320*</b>	<b>Acc, Capstan Winch, Lineman includes:</b>
27	4	126-120	Bumper, Rubber, 1" x 1"	101	1	958-276	Winch Acc, Capstan, Lineman
28	8	108-08	Washer .28x.62x.07 Zn	102	1	958-277	Winch Acc, Support, Capstan
29	4	112-98	HHCS M6x1x40mm Zn	103	1	958-286	Wldt, Capstan Receiver, XT
30	4	112-115	Locknut, Nylon M6x1 Zn	<b>110</b>	<b>1</b>	<b>622-135</b>	<b>Acc, Rear Receiver Winch includes:</b>
<b>40</b>	<b>1</b>	<b>958-318</b>	<b>Acc, Stretcher, Lineman includes:</b>	111	1	622-134	Receiver, Rear Winch XT
41	1	958-294	Stretcher Tray, XT	112	2	622-116	Wire Harness, Rec'r Winch - Warn (not shown)
42	1	958-279	Stretcher, Ferno	112.1	1	118-72	Connector Housing, Anderson
43	1	958-280	Stretcher, Bag, Ferno	113	2	125-84	Grommet, Rubber
44	1	958-318HDW	Acc, Stretcher, Lineman, Hardware	114	2	112-126	HHCS M3x0,5x30 Cl 8.8 Zn
45	4	108-03	Lockwasher 1/4 Split Ring Zn	115	2	117-78	Locknut, Nylon M3x 0.5" Zn
46	4	112-297	HHCS 1/4-20x1.0 Full Thread	116	2	613-46	Insulator, Terminal (2 Ga.)
47	8	108-08	Washer .28x.62x.07 Zn	117	4	127-287	Clamp, Nylon, 3/4 ID
48	4	112-04	HHCS 1/4-20x3/4 Gr5 Zn	118	4	120-04	Washer .19x.50x.08 Zn
49	4	117-27	Locknut, Nylon 1/4-20 Zn	119	4	120-09	Rivet - 3/16 x 1.0 Black
<b>50</b>	<b>1</b>	<b>958-319</b>	<b>Acc, Vice, Lineman includes:</b>	<b>120</b>	<b>1</b>	<b>958-90</b>	<b>Acc, Windshield - XT includes:</b>
51	1	958-291	Wldt, Lineman Hitch Receiver	121	4	127-240	Clamp, 2.0" Loop - Rubber Cush
52	1	958-278	Vise, Wilton, Lineman	122	4	112-222	FHCS 10-24x1.75-Black
53	1	958-319HDW	Acc, Vice, Lineman, Hardware	123	4	117-10	Locknut, 10-24 N/I Zn
54	2	117-70	Insert, M10x1.5-13.5mm OD	124	4	958-94	Spacer, Windshield - XT
55	2	108-67	Lockwasher M10 Split-Ring Zn	XT-L Trim Package also includes the following standard Argo accessories: 622-145 Winch Kit 956-15 Two Person Rops 958-322 Mesh-Rops 850-28-1 Chain Oiler 958-165 Brush Guard 958-71 Bilge Pump 613-247 LED Headlight  * Available but not included.			
56	6	108-15	Washer .42x.81x.05 Zn				
57	4	112-133	HHCS M10x1,5x35mmZn-8.8				
58	2	117-60	Locknut, Nyloc M10x1.5mm Zn				
<b>60</b>	<b>1</b>	<b>958-317</b>	<b>Acc, Roof, Lineman Includes:</b>				
61	1	958-282	Roof, Clear View, Lineman				
62	2	958-293	Brkt, Roof Support, XT				
63	1	958-107	Brkt, Rr Mnt - TTN Hard Top				
64	1	958-106	Brkt, Fr Mnt - TTN Hard Top				
65	2	127-01	Reflector, Red				
66	1	958-317HDW	Acc, Roof, Lineman, Hardware				
67	4	117-60	Locknut, Nyloc M10x1.5mm Zn8				
68	8	108-101	Washer, 0.41x0.79x0.08, Zn				



Ref.	Qty.	Part #	Description
1	1	10508C	HANDLE BAR GRIP, RIGHT
2	1	10507C	HANDLE BAR GRIP, LEFT
3	1	953-10	SHAFT, STEERING, TTN
4	1	953-06	ACTUATOR, STEERING
5	2	953-02	PIN, FEMALE, STEERING
6	2	812-31	PIN, MALE - 5/16-18 UNC
7	2	812-17	COLLAR
8	1	612-107	HANDLEBAR ASM
9	1	612-106	CLAMP, LOWER HANDLEBAR
10	1	612-105RM	CLAMP, UPPER HANDLEBAR-RM
11	1	300-0542	STEERING SUPPORT
12	1	166-13	CALIPER, HYD BRAKE-R
13	1	166-12	CALIPER, HYD BRAKE-L
14	1	165-58	MASTER CYLINDER, RH WILWOOD
15	1	165-57	MASTER CYLINDER, LH WILWOOD
16	2	163-07	HOSE ASM, STEERING, TTN
17	7	160-44	BOLT, BANJO M10x1.0x22.0
18	14	160-01	WASHER, COPPER - 1,5x10,0x14,0
19	8	117-79	INSERT, M6x1,0 -10 mm OD
20	1	117-29	LOCKNUT, NYLON 3/8-16 BNZ
21	2	117-03	NUT, FIN HEX 5/16-18 ZINC
22	4	112-114	HHCS M6x1x60mm ZN
23	4	112-93	HHCS M10x1,5x25mm
24	4	112-47	SHCS 1/4-20x1.0 ZINC
25	2	112-02	SHSS 10-24x1/4 KNURL, BARE
26	2	110-17	KEY, 3/16 x 3/16 x .625
27	4	108-68	LOCKWASHER, HI-COLLAR M6 ZN
28	1	108-47	WASHER .39x.94x.13 BNZ
29	4	108-23	WASHER .42x.81x.06 GR8 ZN DI-C
30	2	105-16	BUSHING, OILITE - 3/4 x 1/2
31	1	104-42	PIN, SPRING 1/4x1.5"
32	2	117-60	LOCKNUT, NYLOC M10x1.5mm ZINC8
33	2	165-32	CALIPER, SERVICE
34	1	165-31	HANDBRAKE, LEFT HYDRAULIC ASM
35	1	163-08	HOSE ASM, SERVICE BRAKE, TTN
36	1	613-165	SWITCH, BRAKE LIGHT

# **ARGO** Products Manufactured by:

## **Ontario Drive & Gear Limited**

220 Bergey Court

New Hamburg, Ontario

Canada N3A 2J5

Phone: (519) 662-2840

[www.argoxtv.com](http://www.argoxtv.com)

**ODG** *Dedicated to quality and performance*