

Conquest



Argo 8x8

2019/2020 PARTS MANUAL

Conquest Pro 800 XT
Conquest Pro 800 XT-X
Conquest Pro 800 XT-L
Conquest Pro 1050 XT-D
Conquest 800 Outfitter

**For factory installed accessory parts included with your vehicle see 2018 Conquest Accessories Manual*

Foreword

ODG has prepared this parts manual for the Conquest models to assist both qualified mechanics and vehicle owners in ordering correct, quality replacement ARGO parts. For the most current parts manual visit our website at www.argoxtv.com.

Proper and regular service, and replacing old, worn or broken parts with the correct ARGO replacement parts, are both essential to prolonging the life of the ARGO. Please refer to this parts manual and/or our website www.argoxtv.com before ordering any replacement part.

All information contained in this Conquest Parts Manual is based on the latest product specification available at time of printing. If your Conquest differs from the specifications contained in this manual, check our website www.argoxtv.com for the most current information.

ODG reserves the right to alter specifications on the Conquest models at any time, without obligation or prior notification.

Reproduction of this Conquest Parts Manual, in whole or in part, is prohibited without prior written permission from Ontario Drive & Gear Limited.

Vehicle Identification

Conquest - 2019 Serial Nos. beginning at ...42665 (last 5 digits of V.I.N.)

Explanation of Parts Manual Format

Ref - Reference number between assembly diagram and component parts list

Part No. - Argo replacement part number for identification and re-ordering

Description - Part description for identification and re-ordering

Qty - Indicates the quantity of a part used in an assembly

Conquest



Using the Parts Manual

1. Find the major vehicle assembly in the Table of Contents on this page, and turn to that section.
2. Locate the part in the illustration that you wish to order.
3. Refer to the parts list in that section.
4. Find the correct part number (Part No.), part description (Description) and correct quantity (Qty).
5. Use *only* this information to order ARGO replacement parts. **DO NOT** attempt to order a replacement part by reference number or page number.

Viewing Tip: To view manual on a computer monitor with images and parts list adjacent to each other (so you don't have to flip back and forth to match Ref. numbers): In Adobe Reader click View, Page Display, Two Page View/Two Page Scrolling.

Printing Tip: To print manual with images and parts list adjacent for convenient viewing, print pages 2 to 47 using a duplex printer. Click "Print on both sides of paper" box & "Flip on long edge". Then print Cover page separately.

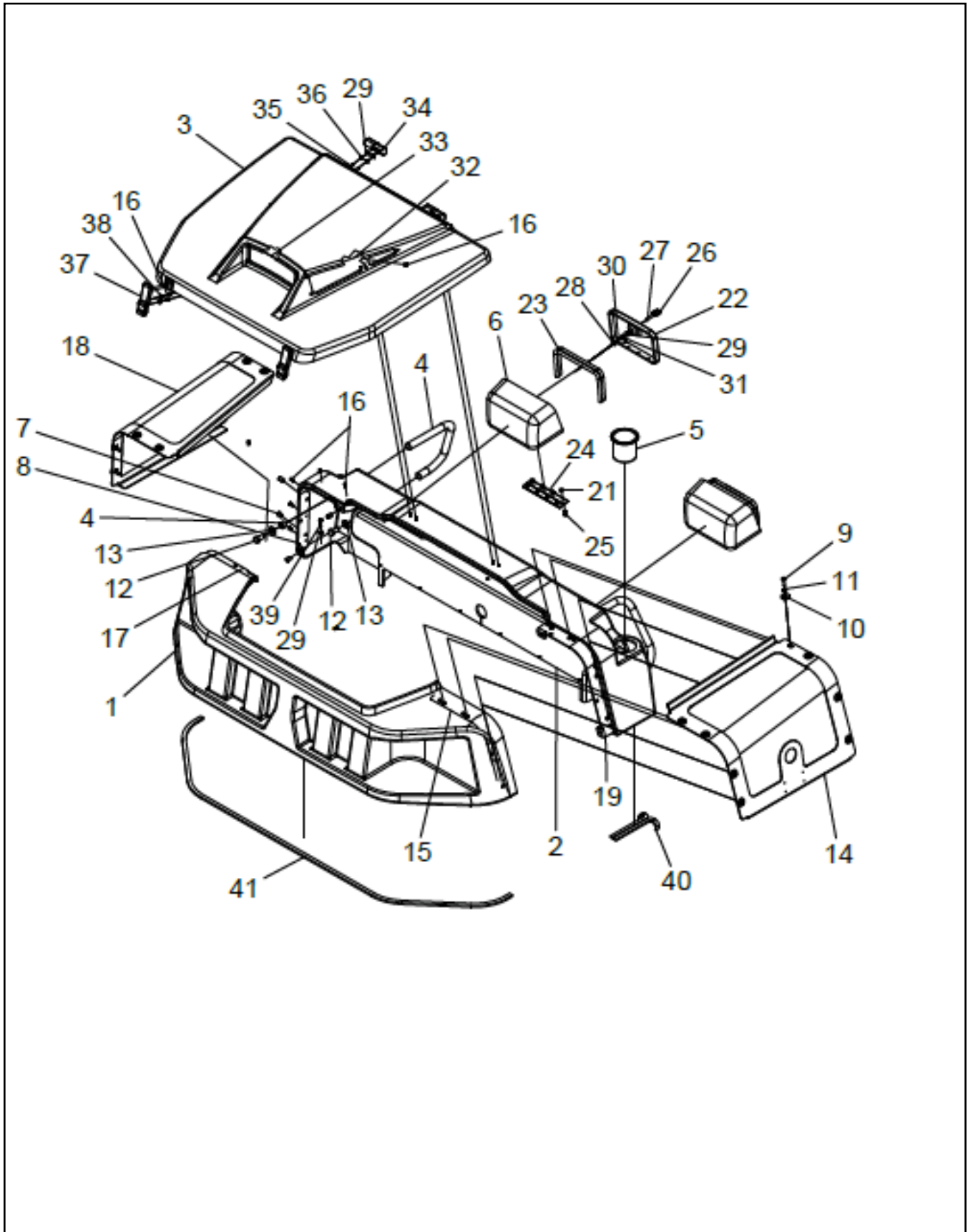
Table of Contents

Foreword	i
Vehicle Identification.....	i
Using the Parts Manual	ii
Conquest Vehicle Accessory Matrix.....	iii
1.0 Upper Body Group.....	2
2.0 Chassis Groups.....	4
3.0 Lower Body Group.....	6
4.0 Axles Group.....	8
4.1 Axle Assembly.....	9
4.2 Driveline Group.....	10
5.0 Fuel System Group.....	11
6.0 Intake Group - XT.....	12
6.1 Intake Group - XT Diesel.....	13
7.0 Exhaust Group.....	14
8.0 Covers Group.....	15
9.0 Wheel Group - Standard.....	16
9.1 Wheel Group - Turf Tire.....	17
9.2 Wheel Group - Aluminum Beadlock.....	18
9.3 Wheel Group - Steel Beadlock.....	19
10.0 Seat Group - Standard.....	20
10.1 Seat Group - Outfitter.....	21
11.0 Electrical Group, XT.....	22
11.1 Wire Harness Diagram.....	24
11.2 Wiring Diagram, XT-XTD.....	25
11.3 Electrical Group, XT-Diesel.....	26
12.0 Clutch Group - XT.....	28
12.1 Clutch Group - XTD.....	29
13.0 Transmission Group, XT-XTD.....	30
13.1 Transmission Sub-Assemblies.....	32
13.2 Transmission & Hardware Group.....	34
14.0 Engine Group - XT.....	35
14.1 Engine Group - XT Diesel.....	36
15.0 Outfitter Trim Package.....	38
16.0 XT-L Trim Package.....	40
17.0 Labels Group - XT.....	42
18.0 Lighting Groups.....	43
19.0 Steering & Brake Group.....	44
20.0 Parking Brake Group.....	46
21.0 Alternator Group.....	48

Conquest Parts Manual

Conquest Vehicle Accessory Matrix

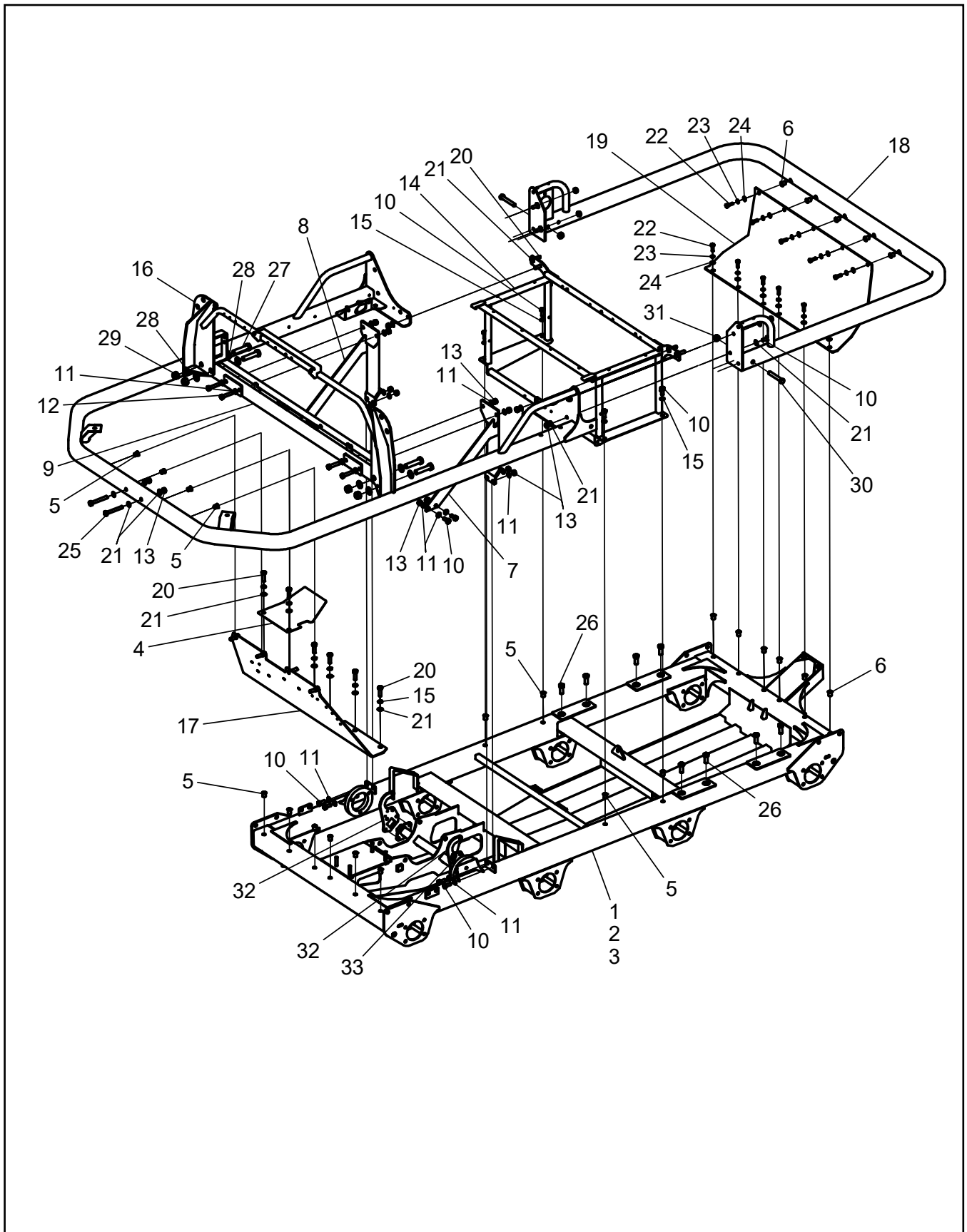
MODEL	Conquest Pro 800 XT	Conquest Pro 800 XTi	Conquest Pro 800 XT-X	Conquest Pro 800 XT-L	Conquest Pro 1050 XT-D	Conquest 800 Outfitter
ACCESSORY						
Alternator	Yes	Yes	Yes	Yes	Yes	Yes
Bilge Pump	Yes	Yes	Yes	Yes	Yes	Yes
Brushguard	Yes		Yes	Yes	Yes	Yes
Build Package				XT-L		Outfitter
Capstan Winch				Yes		
Chain Lubrication	Yes		Yes	Yes	Yes	Yes
HD Drive Belt	Yes	Yes	Yes	Yes	Yes	Yes
Dump Box			Yes			
Engine	30 HP	30 HP	30 HP	30 HP	24 HP Diesel	30 HP
Entry Step						Rear
Front Cargo Racks						Yes
Gun Rack						
Headlights	Standard	Standard	Standard	LED-Golight	Standard	LED Hi & Low
Heater						
Mesh - ROPS				Yes		
Rear Rack w/Toolbox & Tote				Yes		
Receiver Winch						
Roof - Hard Top			Yes	Yes		
ROPS			2-Person	2-Person		
Seats	Standard	Standard	Standard	Standard	Standard	Deluxe
Skid Plate	Yes	Yes	Yes	Yes	Yes	Yes
Spot Light						
Stretcher				Yes		
Strobe Light						
Tires	25 Offset Std Rim	25 Offset Std Rim	25 Offset Std Rim	25 Offset Std Rim	25 Offset Std Rim	25 Offset Std Rim
Transmission	Std Admiral	Std Admiral	Std Admiral	Std Admiral	Std Admiral	Std Admiral
Vice				Yes		
Winch - Front	Yes	Yes	Yes	Yes	Yes	Yes
Windshield			Yes	Yes		
Wiper Kit			Yes	Yes		
Horn / BU Alarm	Yes	Yes	Yes	Yes	Yes	Yes
Whelan ROPS Mount Acc.			Yes	Yes		



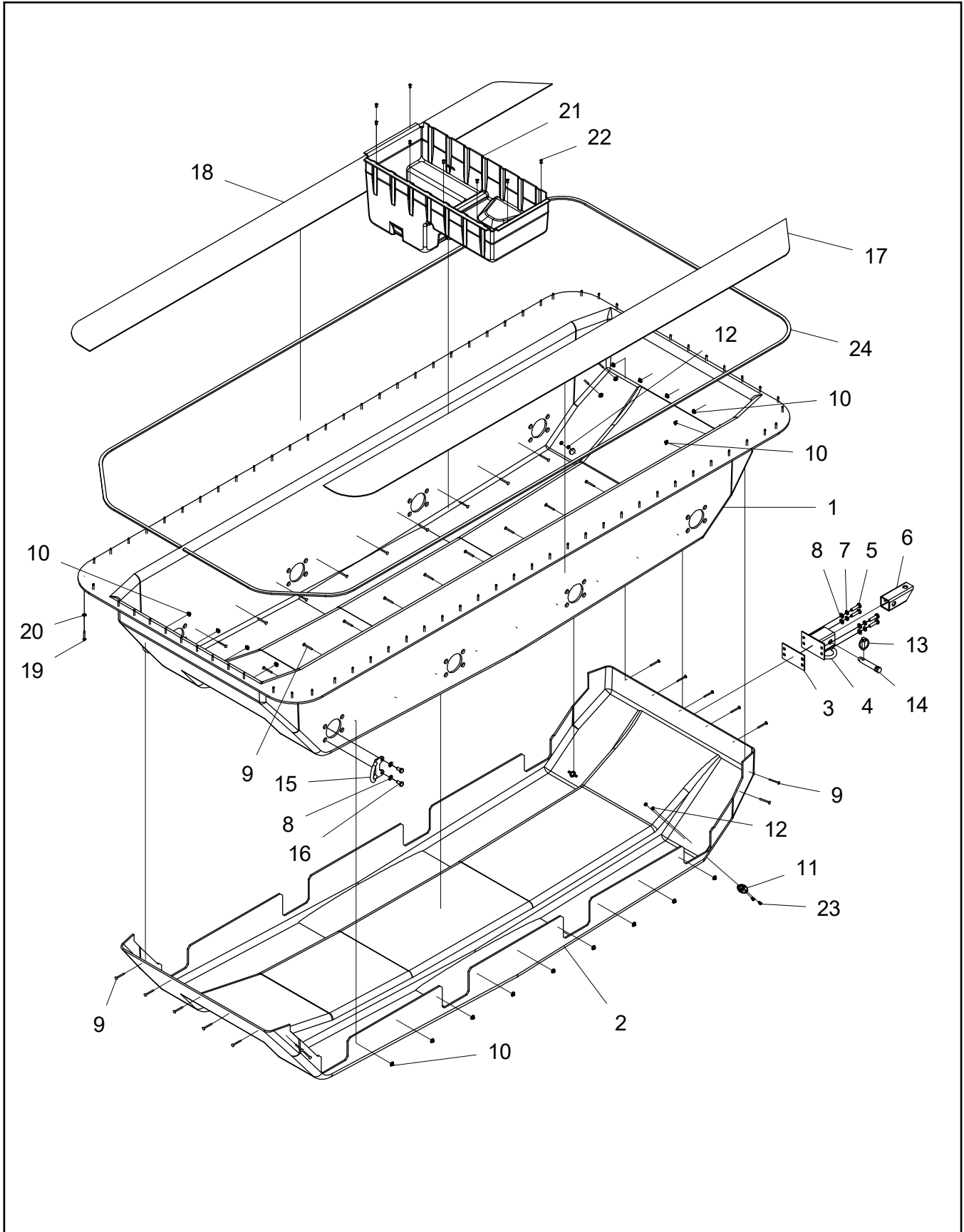
2019/2020 Conquest Parts Manual

1.0 Upper Body Group

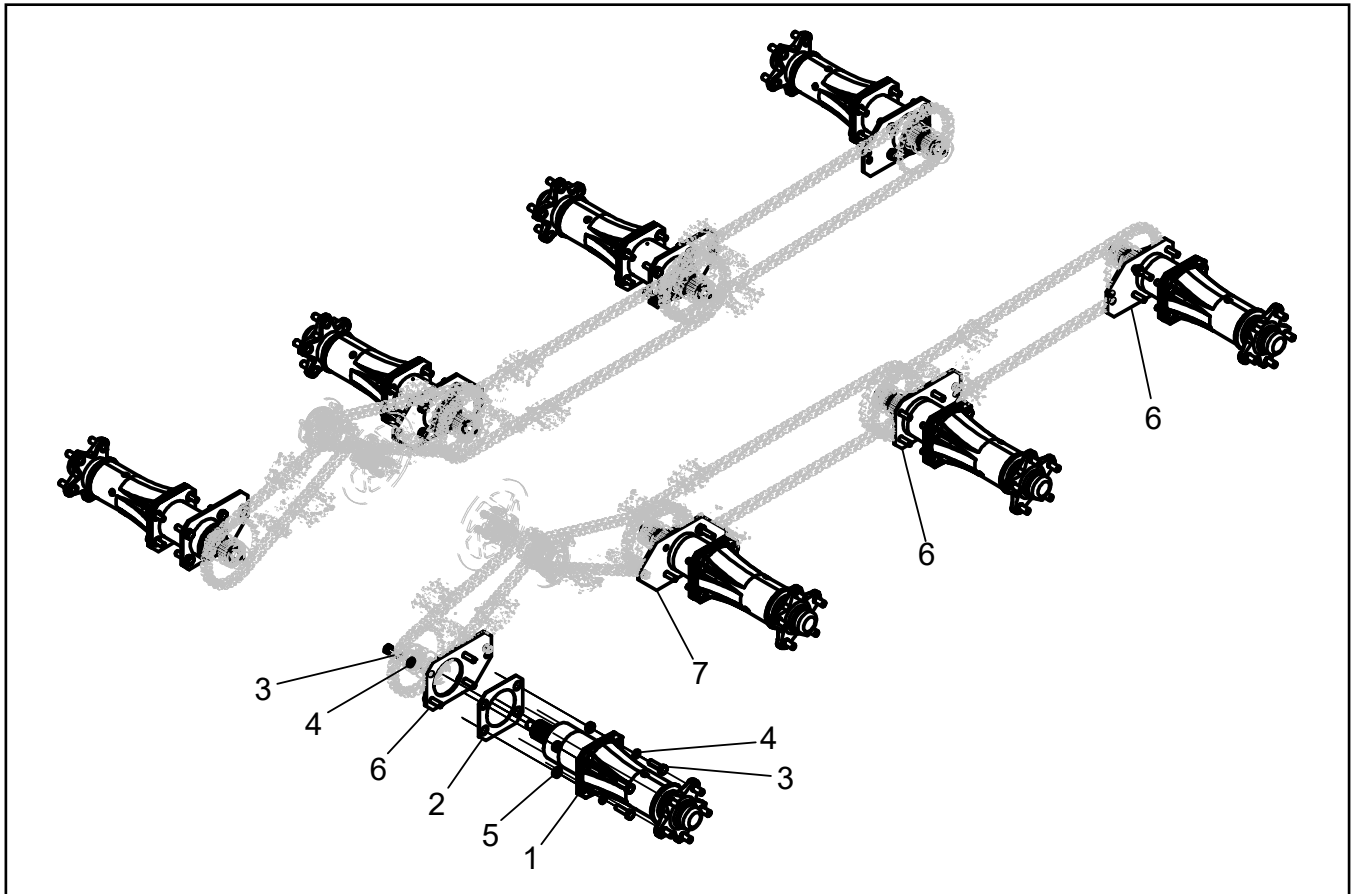
Ref.	Qty.	Part #	Description	Ref.	Qty.	Part #	Description
1	1	951-01	Body, Upper Nose - TTN	40	2	126-60-0.6	Vinyl Strip 1/2"X1/4", 0.6' Lg
2	1	951-02	Body, Upper Dash - TTN	41	1	126-60-6	Vinyl Strip 1/2"X1/4", 6' Lg
3	1	951-03	Hood, TTN				
4	2	953-33	Handle, Grab, TTN				
5	2	100-109	Cup Holder Insert				
6	2	951-07	Glovebox - TTN				
7	22	117-79	Insert, M6x1,0 -10mm OD				
8	1	952-234RM	Brkt, Scrn Asm Supt - RH RR RM				
9	16	112-212	HHCS M6x1x25mm, Black Zn				
10	16	108-104	Washer, 0.28IDx1.0ODx0.13, Blk				
11	16	108-105	Lockwasher, 1/4 Split, Blk Zn				
12	4	112-151	HHCS 1/2-13x1" Gr2 Zn				
13	4	108-35	Washer .53X1.06x.09 Zn				
14	1	950-40	Asm, Screen - LH XT				
15	1	952-231RM	Brkt, Scrn Asm Supt - LH FR RM				
16	50	120-11	Rivet, 5/32 x .157-.472				
17	1	952-233RM	Brkt, Scrn Asm Supt - RH FR RM				
18	1	950-41	Asm, Screen - RH XT				
19	1	952-232RM	Brkt, Scrn Asm Supt - LH RR RM				
20	2	120-09	Rivet - 3/16 x 1.0 Black				
21	10	120-04	Washer .19x.50x.08 Zn				
22	2	951-08	Cover, Glovebox - TTN				
23	2	126-107	Seal, Bulb, XT Glovebox				
24	2	126-106	Hinge, Plastic, TTN Glovebox				
25	16	120-14	Rivet - 3/16 x 5/8 Black				
26	2	126-104	Knob, 2 Arm, 1/4"-20 Insert				
27	2	126-105	Stud, 1/4-20 x 1.75 Lg				
28	2	117-102	Nut, Jam, 1/4-20				
29	20	108-08	Washer .28x.62x.07 Zn				
30	2	953-34	Catch, Latch, TTN				
31	2	117-27	Locknut, Nylon 1/4-20 Zn				
32	2	953-30RM	Screen, Side Hood, TTN, RM				
33	1	953-31RM	Screen, Front Hood, TTN, RM				
34	2	127-88L	Hinge, Engine Cover - Left				
35	8	112-220	Hhcs M6x1x20mm Gr 8.8 Zn				
36	8	108-03	Lockwasher 1/4 Split Ring Zn				
37	2	602-56	Latch, Hood - Soft Draw				
38	4	120-05	Washer .19x.50x.04 Zn				
39	10	112-110	Screw, Self Drilling 12-14x1"				



Chassis Groups Configuration Parts Table					
Ref.	Qty (XT Model)	Qty (XD Model)	Qty (Outfitter)	Part #	Description
1	1	0	0	950-05	Frame Asm - XT
2	0	1	0	950-38	Frame, Chassis - XTD
3	0	0	1	958-274	Wldt, Frame, Outfitter
4	1	0	1	850-227	Shield, Alternator TTN
5	14	14	14	117-70	Insert, M10x1.5-13.5mm OD
6	11	11	11	117-69	Insert, M8x1.25-13.5mm OD
7	1	1	1	956-05	Support, ROPS Vertical, LH
8	1	1	1	956-06	Support, ROPS Vertical, RH
9	1	1	1	956-04	Support, ROPS, Horizontal
10	16	16	16	112-93	HHCS M10x1,5x25mm
11	24	24	24	108-101	Washer, 0.41x0.79x0.08, Zn
12	4	4	4	112-22	HHCS M10x1,5x50mm Zn
13	22	22	22	117-60	Locknut, Nyloc M10x1.5mm Zn8
14	1	1	1	950-13	Wldt, Bench Frame, TTN
15	14	14	14	108-67	Lockwasher M10 Split-Ring Zn
16	1	1	1	950-06	Upper Frame Weldt, TTN
17	1	1	1	953-04	Support, Front, XT
18	1	1	1	950-33	Frame Upper, Rear Wldt TTN
19	1	1	1	953-41	Brace, Rear XT
20	14	14	14	112-133	HHCS M10x1,5x35mm Zn-8.8
21	28	28	28	108-15	Washer .42x.81x.05 Zn
22	11	11	11	112-20	HHCS M8x1,25x25mm Zn
23	11	11	11	108-05	Lockwasher 5/16 Split-Ring Bnz
24	11	11	11	108-24	Washer .34x.70x.06 Zn
25	2	2	2	112-120	HHCS M10x1,5x80mm Zn
26	8	8	8	112-189	HHCS 1/2-13x1.25 Gr5 Zn
27	4	4	4	112-207	HHCS, M16x2x70mm
28	8	8	8	108-102	Washer, 0.67x1.18x0.12, Zn
29	4	4	4	117-76	Locknut, Nylon M16x2,0 Zn
30	2	2	2	112-205	HHCS M12x1.75x80mm Zn
31	2	2	2	112-206	Locknut, Nylon, M12X1.75 Zn
32	2	2	2	953-01	Mount, Service Brake Caliper
33	1	1	1	953-09RM	Bracket, Speedo Mount, RM

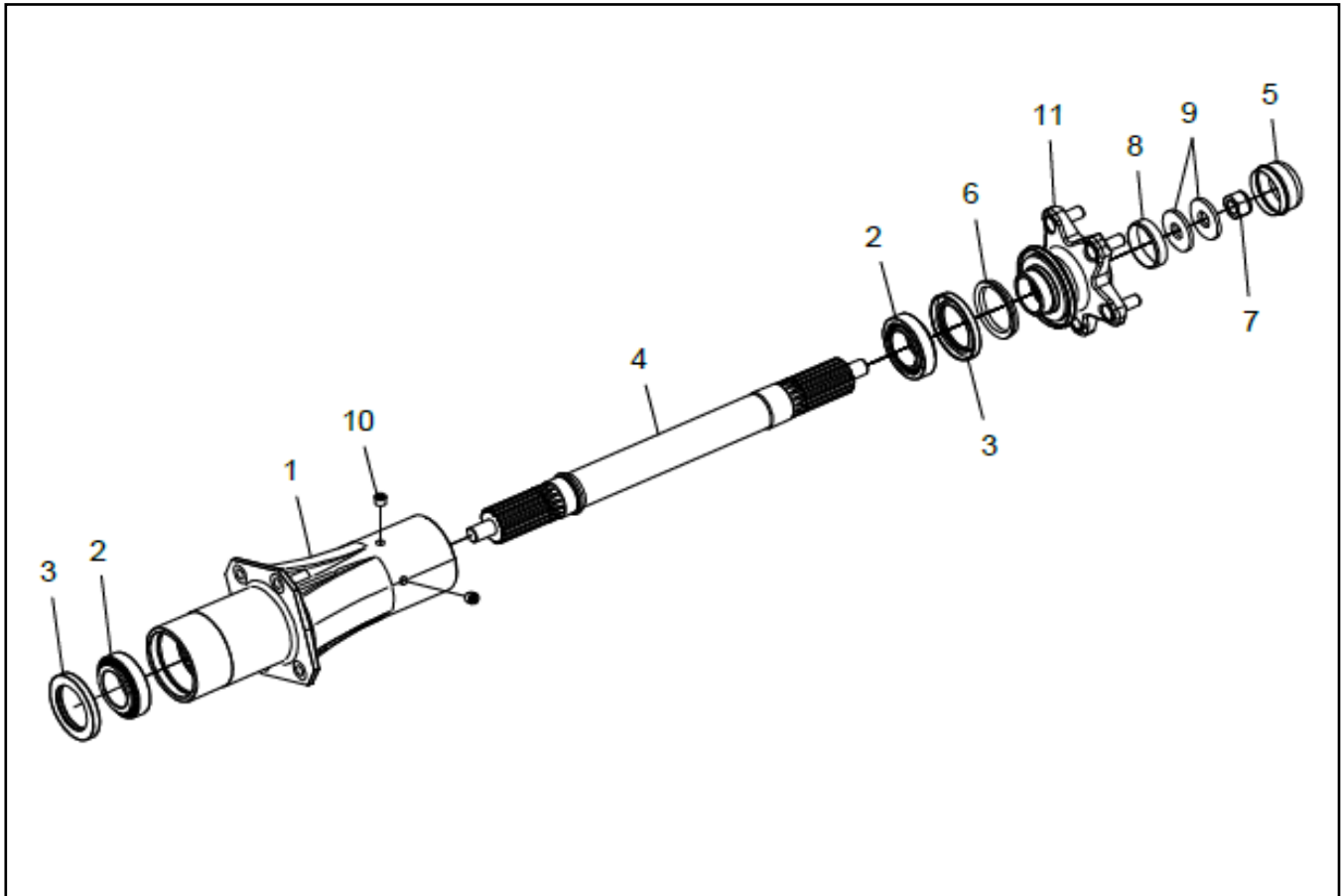


Ref.	Qty.	Part #	Description
1	1	951-15	Body, Lower - Centaur
2	1	801-123SKD	Body, Lower - Centaur
3	1	616-20	Gasket, Rear Hitch
4	1	616-16	Hitch Assembly
5	4	112-92	HHCS M10x1,5x40mm Zn
6	1	616-19	Tube, Hitch Insert
7	4	108-67	Lockwasher M10 Split-Ring Zn
8	8	108-15	Washer .42x.81x.05 Zn
9	36	120-27	Pin, Magna Grip, Black Zn
10	36	120-28	Collar, Magna Grip Bnz
11	2	100-107	Plug, Drain-Flanged
12	4	120-04	Washer .19x.50x.08 Zn
13	1	104-11	CLP-580 Pin Lynch Locking-Ring-Click Pins
14	1	104-13	Pin, Top Link
15	2	642-84	Tie Down
16	4	112-137	HHCS M10x1,25x20mm Zn
17	1	801-195	Mud Flap, 7" Wide XT, RH
18	1	801-196	Mud Flap, 7" Wide XT, LH
19	80	112-125	Screw, Self Drilling 12-14x1.5
20	80	108-08	Washer .28x.62x.07 Zn
21	1	951-09	Toolbox, TTN - Bench Seat
22	8	120-13	Rivet - 3/16 x 3/4 Black
23	4	10081A001	Rivet, 3/16 x 0.376 - 0.500 AL
24	1	126-60-314	Vinyl Strip 1/2 x 1/4 x 314"



Ref.	Qty.	Part #	Description
1	8	805-148	Axle Asm, Offset, Conquest
2	8	805-121	Gasket, Axle Asy
3	65	112-133	HHCS M10x1,5x35mmZn-8.8
4	66	108-67	Lockwasher M10 Split-Ring Zn
5	32	805-114	Bushing, .75 x .58 x .25
6	6	953-21	Flange, Axle, Titan
7	2	953-22	Flange, 2 Pos, Titan

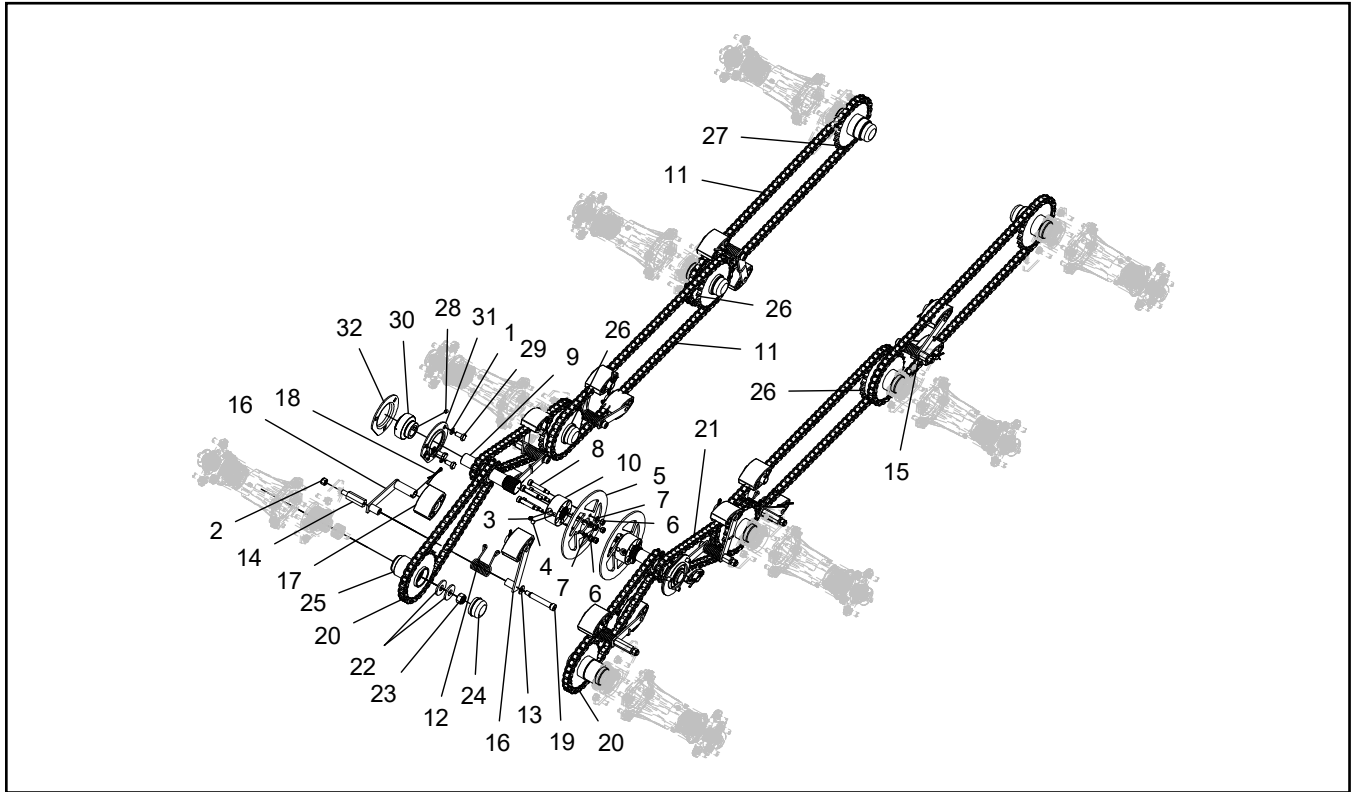
2019/2020 Conquest Parts Manual 4.1 Axle Assembly 805-148



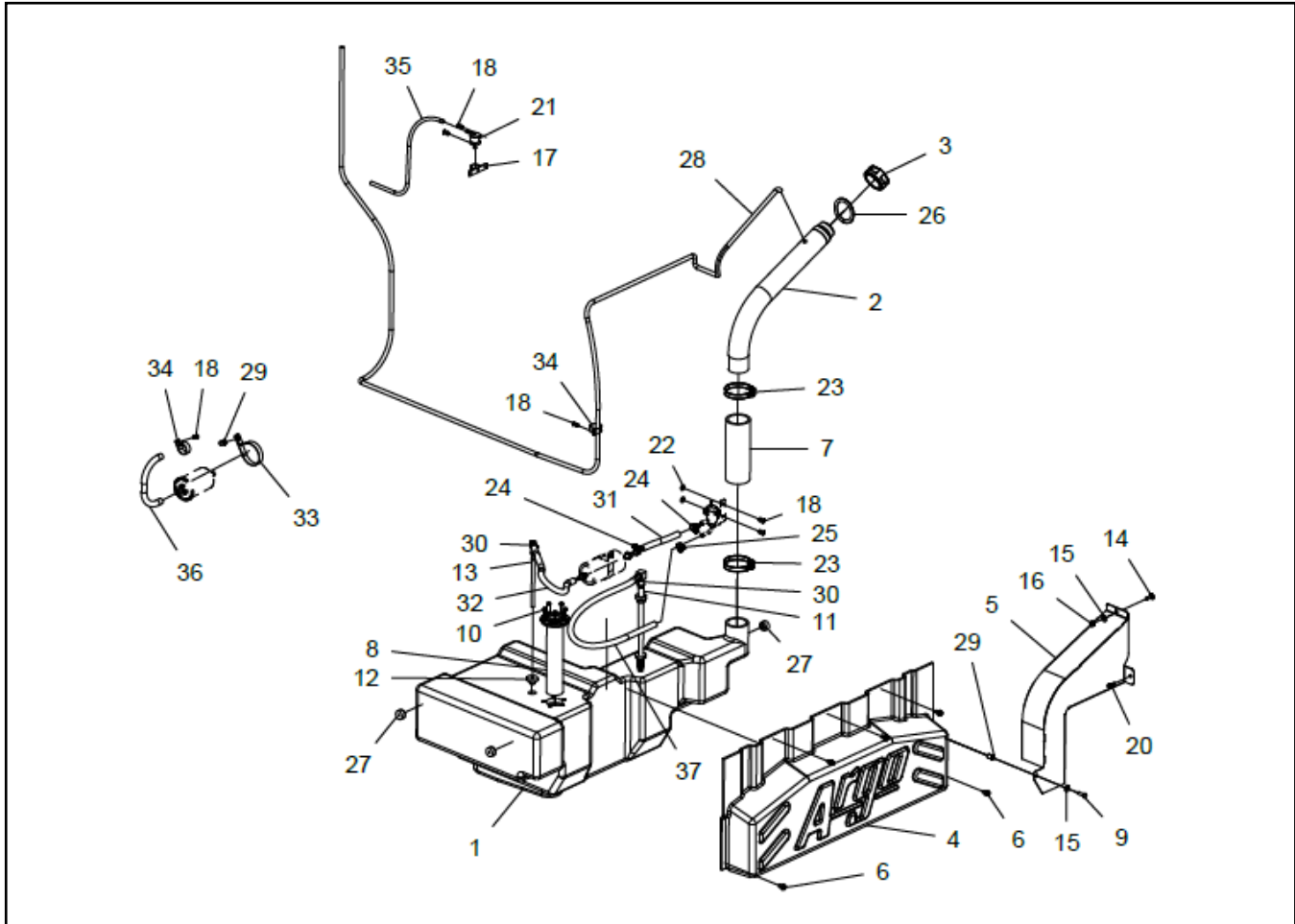
Ref.	Qty.	Part #	Description
1	1	805-132	Housing, Axle
2	2	101-76	Bearing, Taperd Roller 32008X
3	2	102-27	Seal, Oil 50x72x8 Dbl Lip
4	1	805-106	Axle - 17T Spline
5	1	805-120	Cap, Bearing Dust - 2.0 Dia
6	1	102-28	Seal, Oil V-Ring 50mm
7	1	117-72	Locknut, Nylon - M16 x1,5 Zn
8	1	805-108	Bushing, 1.82 x .46
9	2	108-40	Washer .68x1.75x.16 Zn
10	3	127-85	Plug, Drain - M10x1.0
11	1	805-147	Hub, Wheel, Offset, With Studs

4.2 Driveline Group

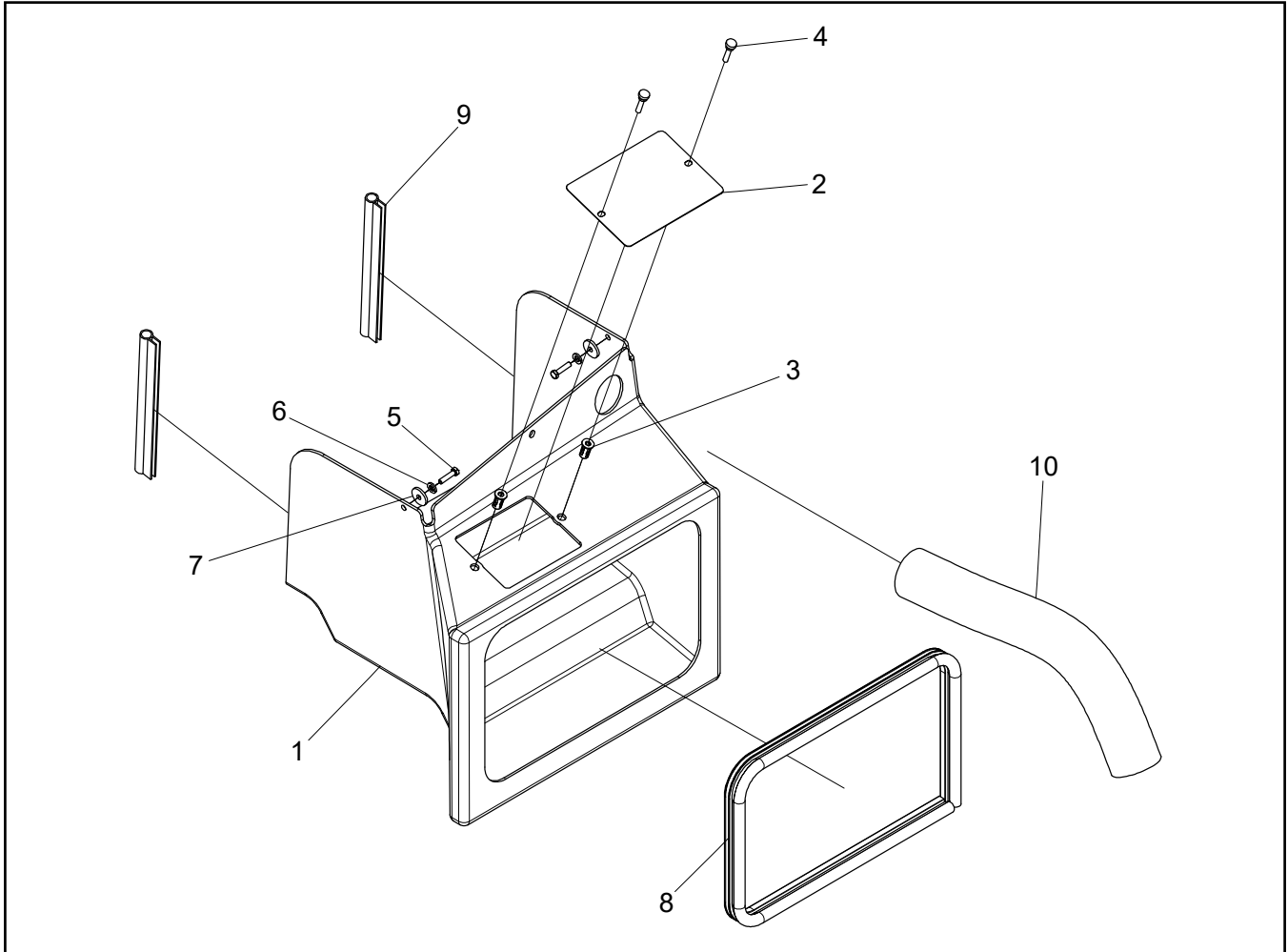
2019/2020 Conquest Parts Manual



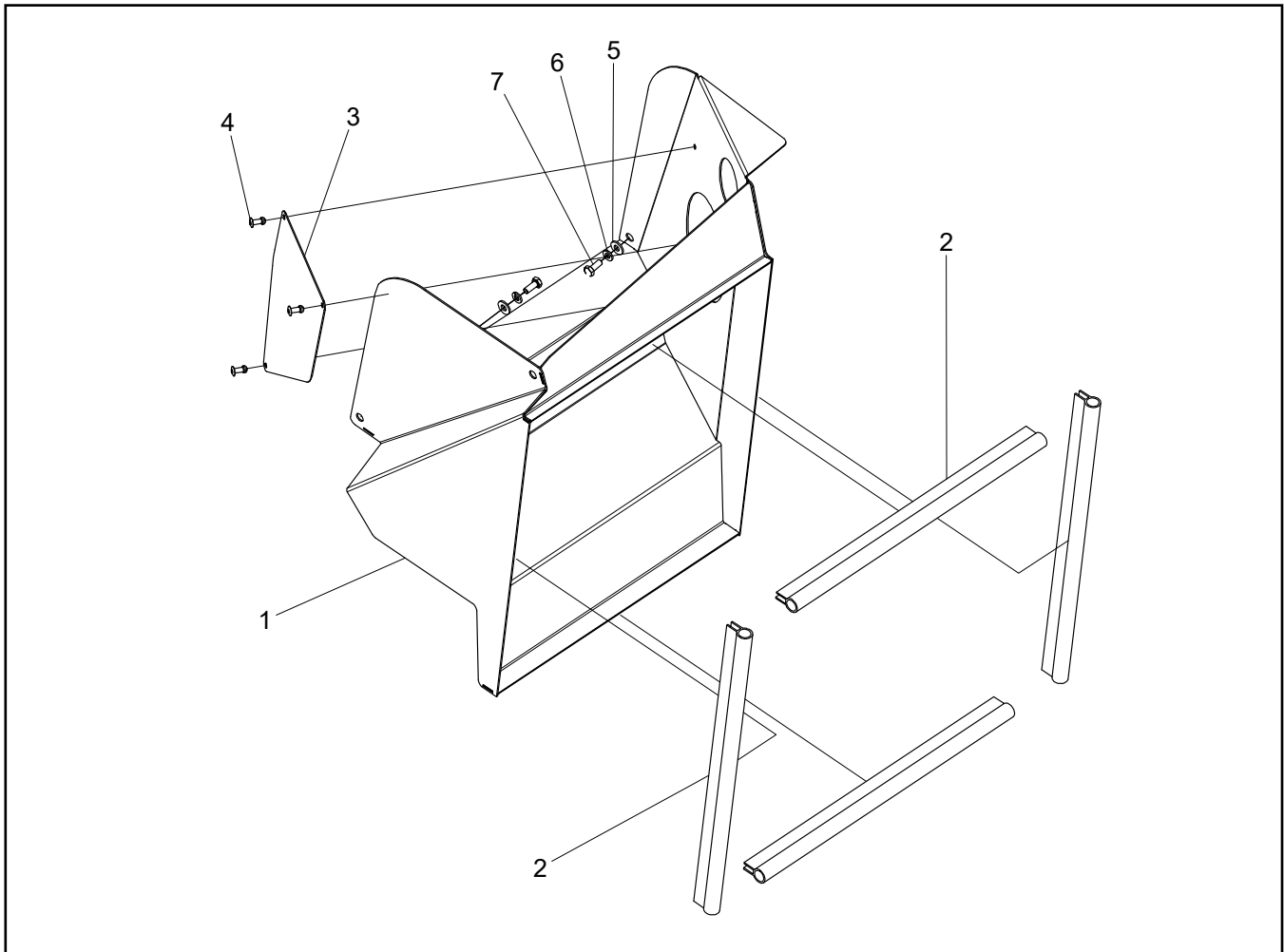
Ref.	Qty.	Part #	Description	Ref.	Qty.	Part #	Description
1	6	108-67	Lockwasher M10 Split-Ring Zn	21	2	953-15	Chain, RC60-1-HD x 58P
2	8	117-32	Locknut, Nylon 7/16-20 Zn	22	16	108-40	Washer .68x1.75x.16 Zn
3	2	100-127	Fitting, Grease Str 1/4-28 Tpr	23	8	117-72	Locknut, Nylon - M16 x 1,5 Zn
4	1	613-127	Magnet, Speedometer	24	8	805-120	Cap, Bearing Dust - 2.0 Dia
5	2	165-25	Disc, Brake, Service	25	2	805-137	Sprocket Asm, Front
6	10	117-77	Locknut, Nylon - M8x1,25mm Zn8	26	4	805-135	Sprocket Asm, Mid
7	10	108-05	Lockwasher 5/16 Split-Ring Bnz	27	2	805-136	Sprocket Asm, Rear
8	10	112-201	Bolt, Shoulder M10x45	28	4	112-200	SHSS 5/16-24X5/16 Flat Pt
9	2	810-119	Shaft, Output, #60-10T	29	6	112-137	HHCS M10x1,25x20mm Zn
10	2	810-117	Coupler, Idler Shaft	30	2	101-95B	Bearing, Ball -1.25 x 72mm
11	4	953-16	Chain, Rc60-1-HD x 96P	31	2	952-259	Bearing Flange, Grease W/Trim
12	8	128-16	Spring, Torsion - Cent Chain	32	2	952-260	Bearing Flange, W/Trim
13	8	108-34	Washer .47x.94x.06 Zn				
14	4	953-19	Standoff, Hex, 54mm				
15	4	953-20	Standoff, Hex, 23.5mm				
16	16	806-211	Pivot Arm Asm				
17	16	606-40	Block, Slider - 7/8" Shaft				
18	16	100-105	Pin, Cotter 3/16x1.75 Zn				
19	8	112-158	Bolt, Shoulder 12mm x 70mm				
20	2	953-14	Chain, RC60-1-HD x 54P				



Ref.	Qty.	Part #	Description	Ref.	Qty.	Part #	Description
1	1	951-18	Tank, Fuel Loperm - TTN	23	2	100-12	Clamp, Gear 15/16"- 2-3/4"
2	1	950-31	Tube Asm, Fuel Fill TTN	24	2	112-243	Clamp, Fuel Injection 5/16"
3	1	126-100	Fuel Cap, Tethered	25	1	112-258	Clamp Fuel Injection 1/4"
4	1	951-11	Cover, Fuel Comps - TTN	26	1	953-96-02	Trim, Edge - .06 x 2
5	1	950-32	Cover Asm, Fuel Fill XT	27	3	126-102	Bumper, Recessed Hole
6	5	112-19	Screw, IHWH T/C Slot 1/4-20x1/2	28	1	127-160-13	Tubing, 1/4 ID Clear Plastic 13"
7	1	125-94	Hose, Filler	29	2	117-79	Insert, M6x1,0 -10mm OD
8	1	953-53	Sender, Dip Tube	30	2	112-78	Clamp, Hose 9/16" Black
9	1	112-220	HHCS M6x1x20mm Gr 8.8 Zn	31	1	608-69-10	Hose, Fuel - 5/16" ID, Carb 4.82"
10	5	112-231	Phms, M5x0.8 x 20	32	1	608-69-15	Hose, Fuel - 5/16" ID, Carb 15"
11	1	953-23	Pick-Up, Fuel-TTN	33	1	127-276	Clamp, Loop, 2 1/4"-XT
12	2	608-136	Grommet, Fuel Return	34	2	127-24	Clamp, Nylon - 1" ID
13	1	608-138	Fitting, Brass - 90 Deg	35	1	127-160-15	Hose, Vent 3/16" ID 15"
14	1	112-230	C/Bolt, 1/4-20 x 0.75 Gr 5 Zn	36	1	608-69-83	Hose, Fuel - 5/16" ID, Carb 83"
15	2	108-08	Washer .28x.62x.07 Zn	37	1	608-69-24	Hose, Fuel - 5/16" ID, Carb 24"
16	1	117-27	Locknut, Nylon 1/4-20 Zn				
17	1	609-50	Clamp, Rollover Valve				
18	8	120-13	Rivet - 3/16 X 3/4 Black				
19	1	952-146	Bumper, Fuel Tank - TTN				
20	1	112-102	Screw, Self Drill 12-14x3/4"				
21	1	609-47	Valve, Rollover				
22	2	120-04	Washer .19x.50x.08 Zn				



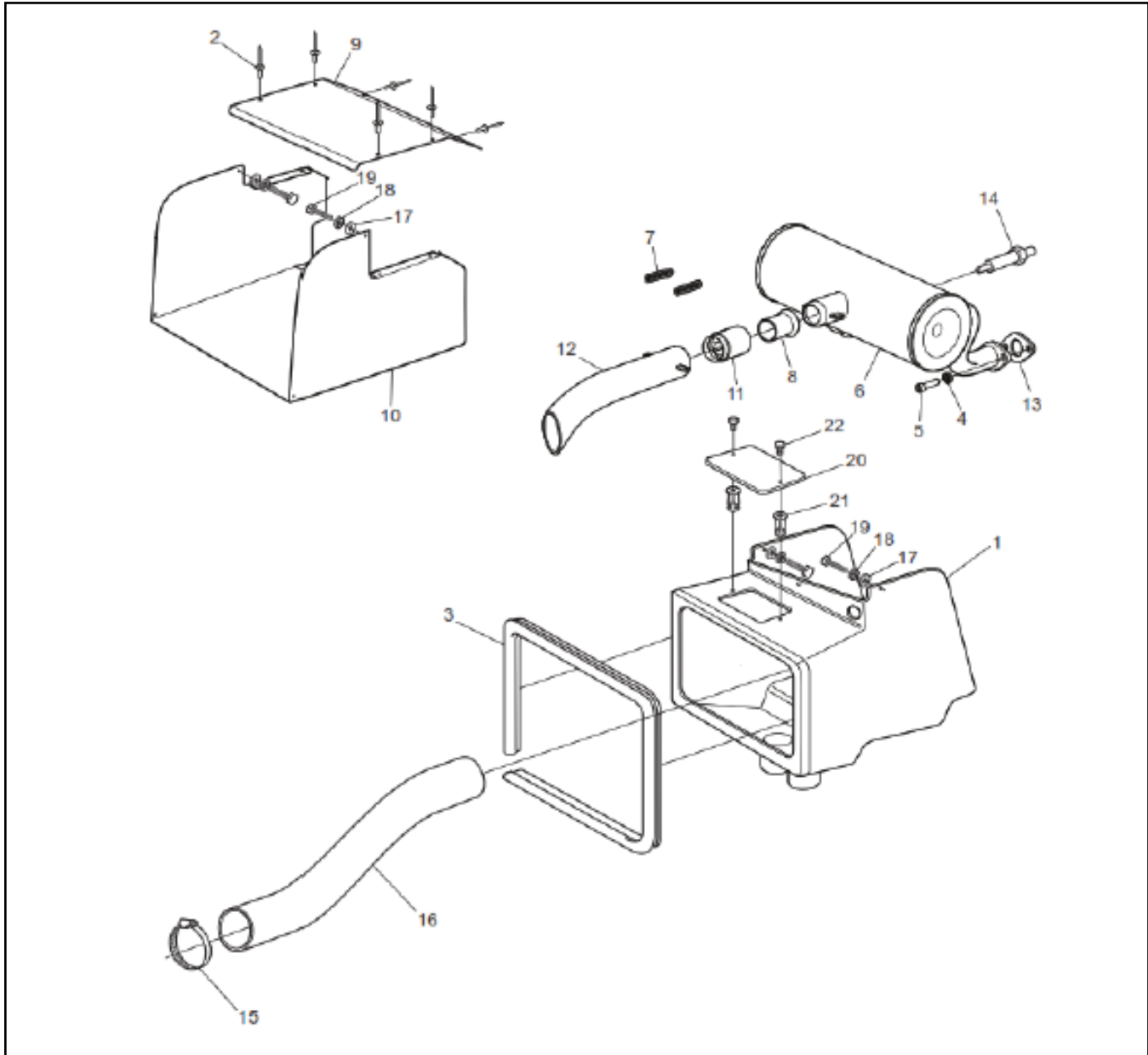
Ref.	Qty.	Part #	Description
1	1	951-13	Plenum, Intake - TTN
2	1	952-237	Cover, Cleanout XT1
3	2	117-53	Nut, Jack 1/4-20 8L-JNS ZN
4	2	117-89	Thumbscrew, 1/4-20x1, Nylon
5	2	112-212	HHCS M6x1x25mm, Black Zn
6	2	108-05	Lockwasher 5/16 Split-Ring Bnz
7	2	108-104	Washer, 0.281Dx1.0ODx0.13, Blk
8	1	809-166-48	Seal, 48" Long
9	2	809-167-10	Seal, Radiator Baffle - Top, 10" Long
10	1	848-194	Hose, Intake Flex 2"Dia x 24"



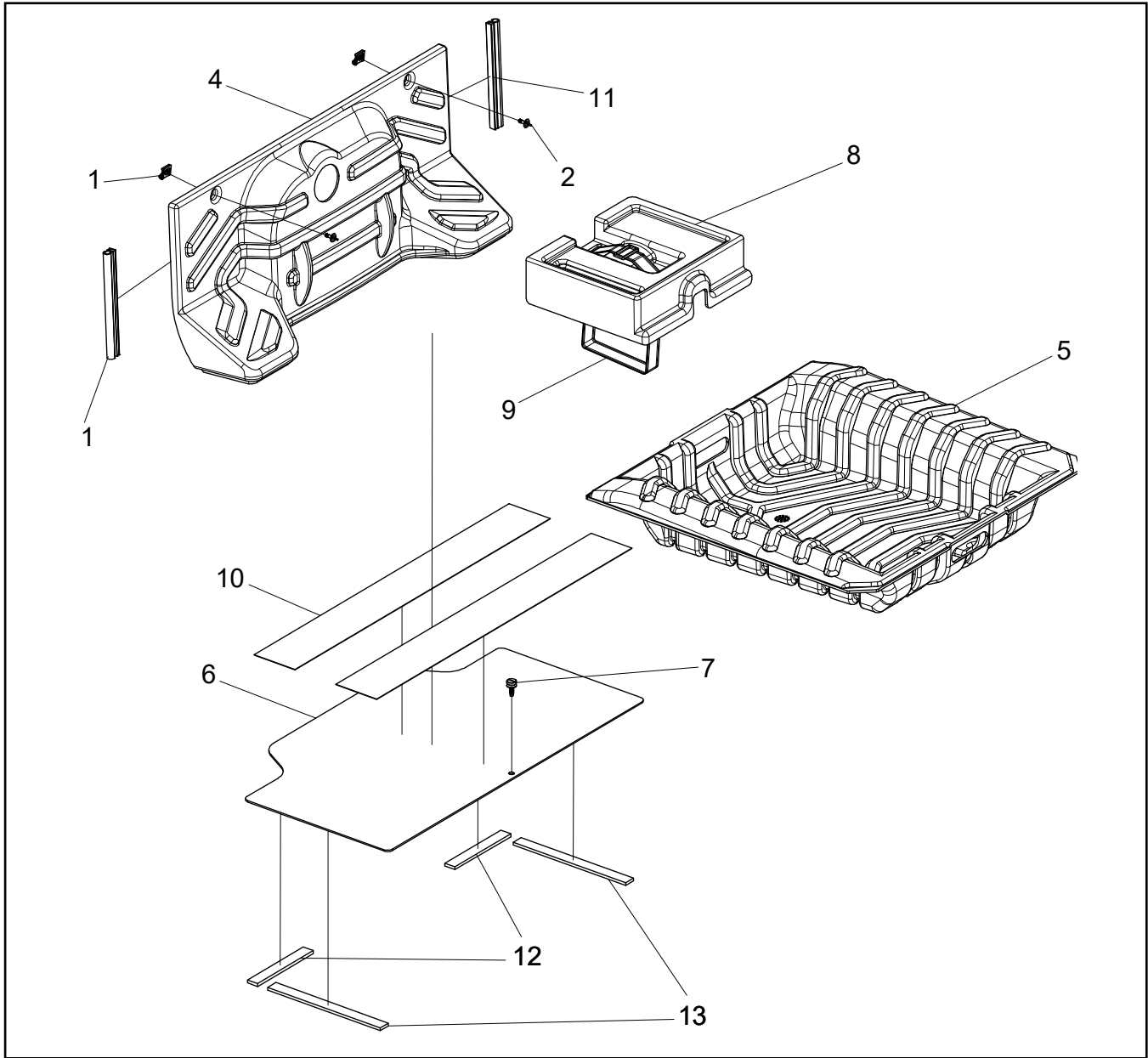
Ref.	Qty.	Part #	Description
1	1	950-46	Intake Plenum - XTD
2	4	809-167-15	Seal, Radiator Baffle - Top, 14.5" Long
3	1	953-79	Cover, Intake Plenum - XTD
4	3	120-13	Rivet - 3/16 x 3/4 Black
5	2	108-08	Washer .28x.62x.07 Zn
6	2	108-03	Lockwasher 1/4 Split Ring Zn
7	2	112-118	HHCS M6x1,0x15mm

7.0 Exhaust Group

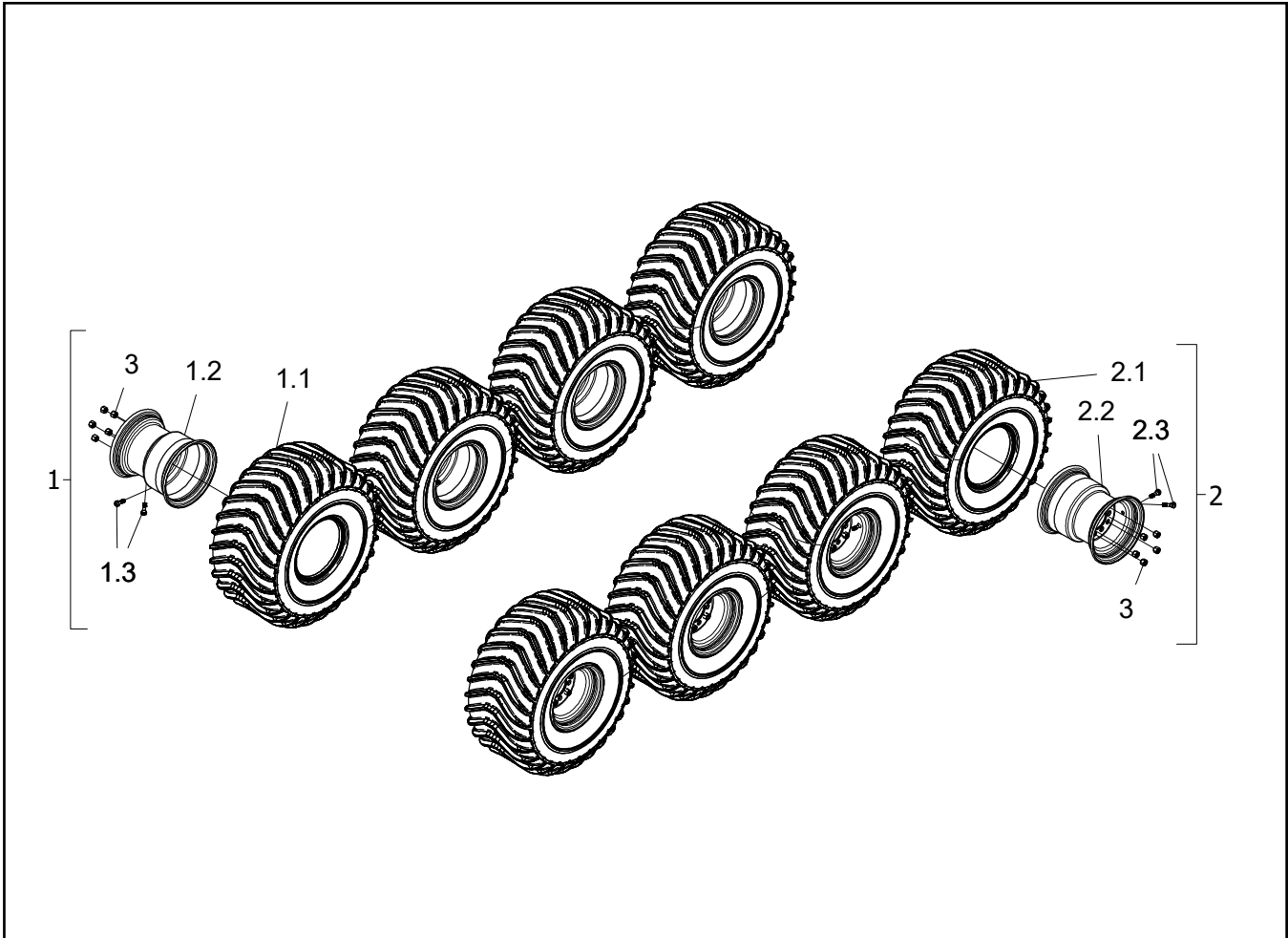
2019/2020 Conquest Parts Manual



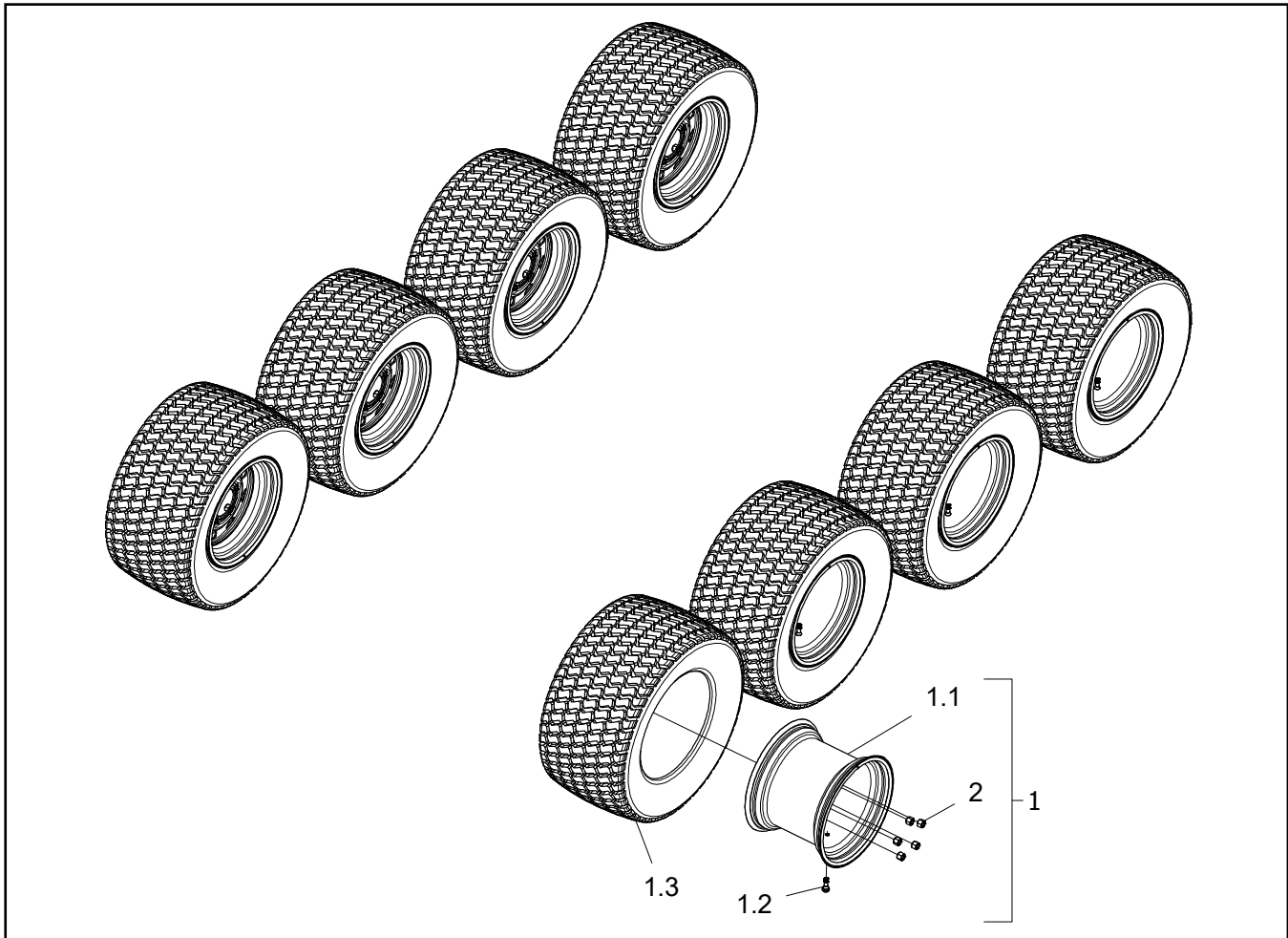
Ref.	Qty.	Part #	Description	Ref.	Qty.	Part #	Description
1	1	951-13	Duct, Intake	14	1		See Section 14.0 Engine Group
2	6	120-31	Rivet, 3/16" x 1/4", Open End	15	1	100-128	Clamp, Gear 2.25"
3	2	809-166-50	Seal, 50" Long	16	1	848-194	Hose, Intake Flex 2" Dia.x24"
4	4	108-02	Lockwasher 5/16 Hi-Collar Bare	17	4	108-104	Washer, 0.28IDx1.00Dx0.13, Blk
5	4	112-30	SHCS M8 x 1,25 x 20mm Zn	18	4	108-105	Lockwasher, 1/4 Split, Blk Zn
6	1	952-118	Muffler, Kohler EFI XT	19	4	112-212	HHCS M6x1x25mm, Black Zn
7	2	127-187	Spring, Extension - 17/32x3.75	20	1	952-237	Cover, Cleanout XT
8	1	607-135	Tube, Muffler, Flared x 2.0	21	2	117-53	Nut, Jack 1/4-20 8L-JNS Zn
9	1	953-38	Shield, Exhaust Upper XT	22	2	117-89	Thumbscrew, 1/4-20x1, Nylon
10	1	953-37	Duct, Exhaust XT				
11	1	607-171	Spark Arrester, ODG				
12	1	607-134	Pipe, Tail - Ass'y				
13	2	24 041 49	Gasket, Exhaust Manifold				



Ref.	Qty.	Part #	Description	Ref.	Qty.	Part #	Description
1	2	117-126	Clip, Q-Turn 6mm - Steel	13	2	127-123-11	Rubber, Strip -1/4x1"x11"
2	2	112-312	Stud, Q-Turn 6mm X 15mm - Steel				
3	2	114-40	Washer, Stud Retainer 6mm				
4	1	951-04	Firewall - TTN				
5	1	951-12	Floorpan, XT				
6	1	953-05	Floor Plate, Front, TTN				
7	1	112-136	Screw, Fastlead - Large				
8	1	951-10	Cover, Battery - TTN				
9	1	608-56	Strap, Battery				
10	2	127-183-32	Tape, Non-Slip - 4"x32"				
11	2	809-166-9	Seal, 9" Long				
12	2	127-123-7	Rubber, Strip -1/4x1"x7"				

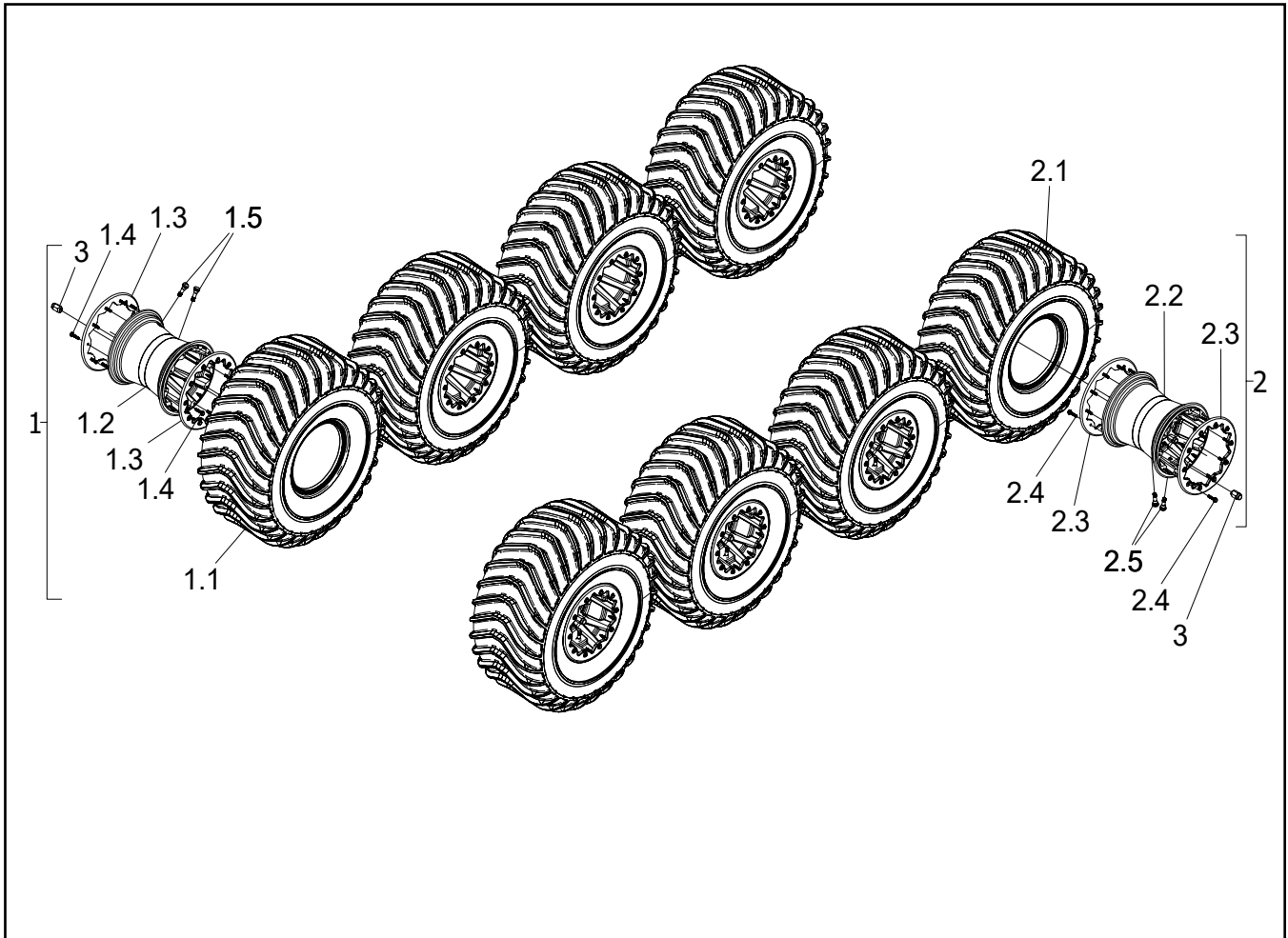


Ref.	Qty.	Part #	Description
1	4	10010CVRT	Wheel, 25" STL Rim RT
1.1	1	10001C	Tire, 25 x 12 - 9 XT117
1.2	1	10004C	Rim, 9 x 10 Steel
1.3	2	125-26A	Valve, Tire - Unassembled
2	4	10010CVLT	Wheel, 25" STL Rim LT
2.1	1	10001C	Tire, 25 x 12 - 9 XT117
2.2	1	10004C	Rim, 9 x 10 Steel
2.3	2	125-26A	Valve, Tire - Unassembled
3	40	117-74	Nut, Wheel M12x1,25 Zn

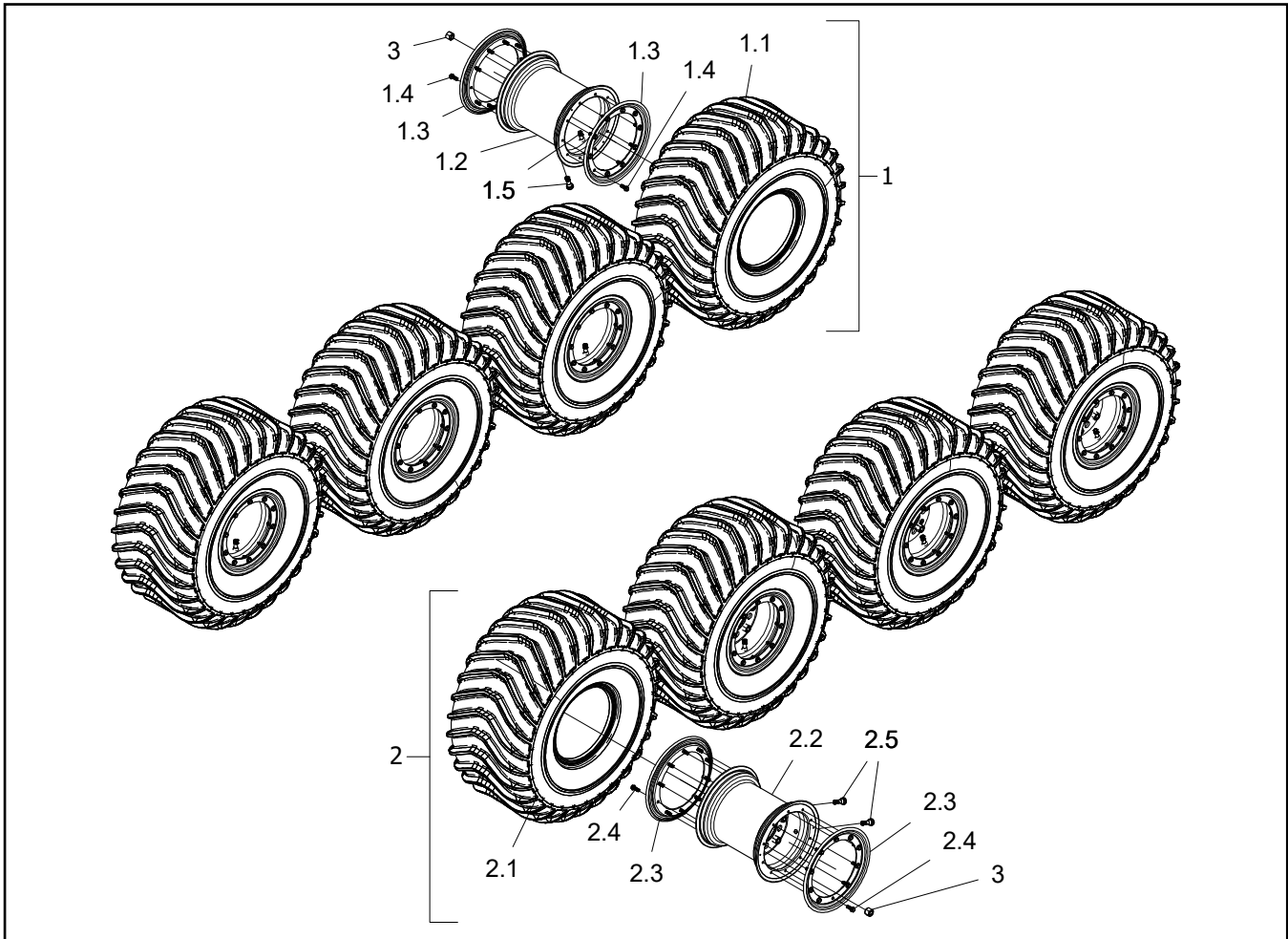


Ref.	Qty.	Part #	Description
1	8	127-215	Tire+Rim Asm -Multitrac XT HD
1.1	1	127-281	Rim -12x9.5x2.25 Offset-Reinf
1.2	1	125-26A	Valve, Tire - Unassembled
1.3	1	127-227	Tire, Super Turf 24x12.00-12
2	40	117-74	Nut, Wheel M12x1,25 Zn

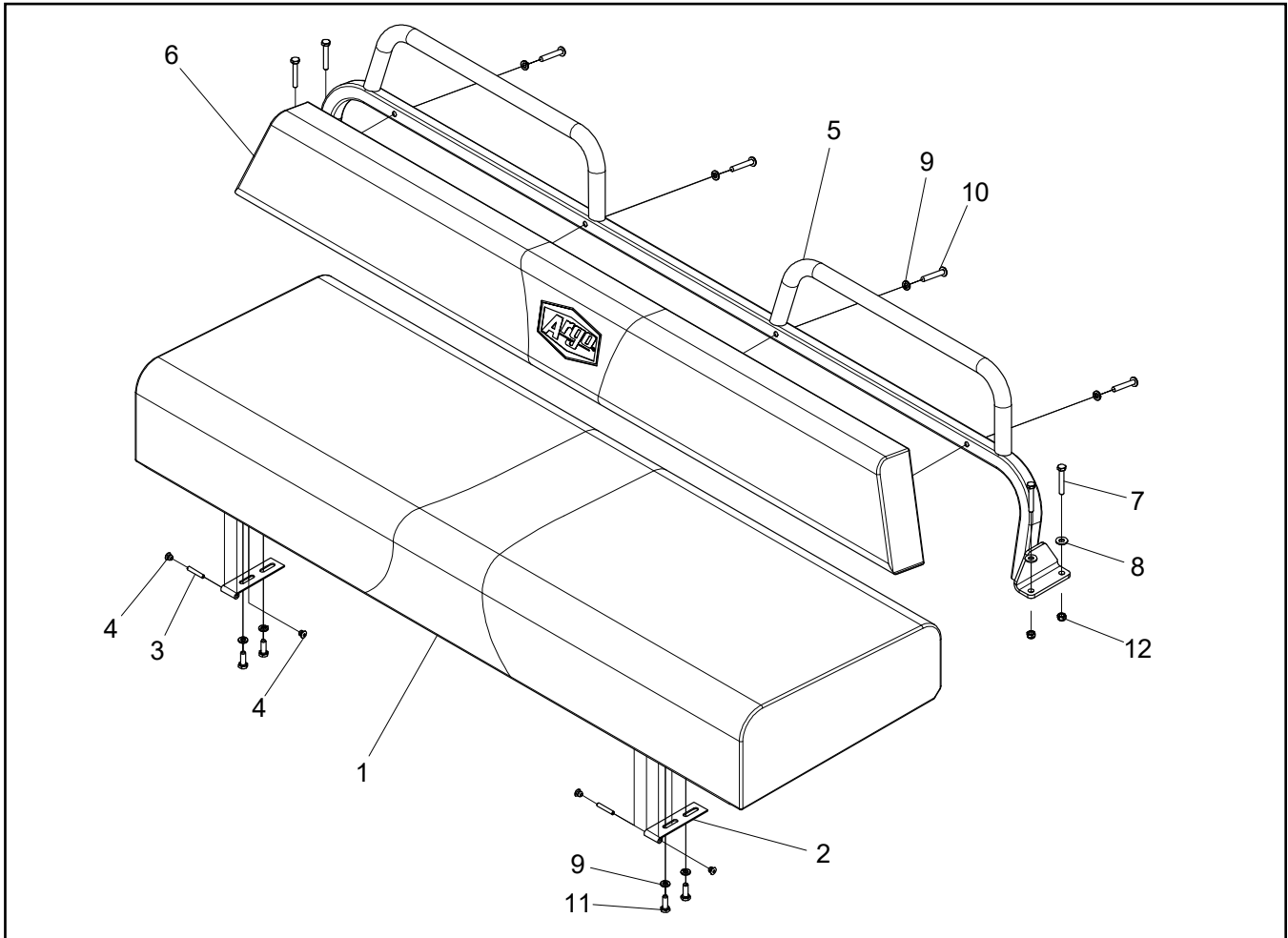
9.2 Wheel Group - Aluminum Beadlock 2019/2020 Conquest Parts Manual



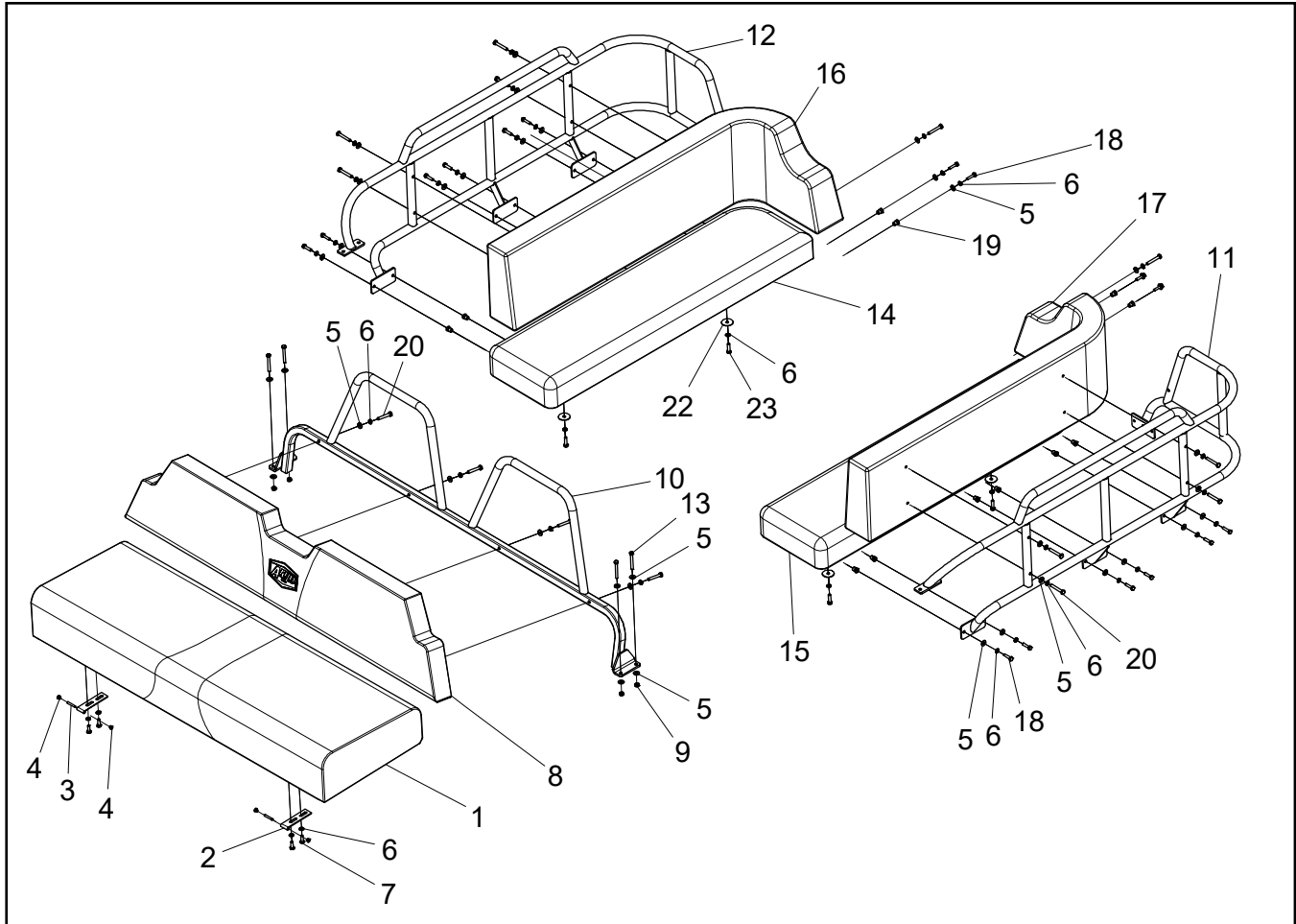
Ref.	Qty.	Part #	Description
1	4	10009CVRT	Wheel, 25" AL Beadlock RT
1.1	1	10001C	Tire, 25 x 12 - 9 XT117
1.2	1	10007C	Rim, Alum Beadlock 9 x 10
1.3	1	10050J	Ring, Alum Beadlock Blk (Pk of 2)
1.4	1	10049J	Bolt, Alum Beadlock Ring (Pk of 20)
1.5	2	125-26A	Valve, Tire - Unassembled
2	4	10009CVLT	Wheel, 25" AL Beadlock LT
2.1	1	10001C	Tire, 25 x 12 - 9 XT117
2.2	1	10007C	Rim, Alum Beadlock 9 x 10
2.3	2	10050J	Ring, Alum Beadlock Blk (Pk of 2)
2.4	20	10049J	Bolt, Alum Beadlock Ring (Pk of 20)
2.5	2	125-26A	Valve, Tire - Unassembled
3	40	117-74	Nut, Wheel M12x1,25 Zn



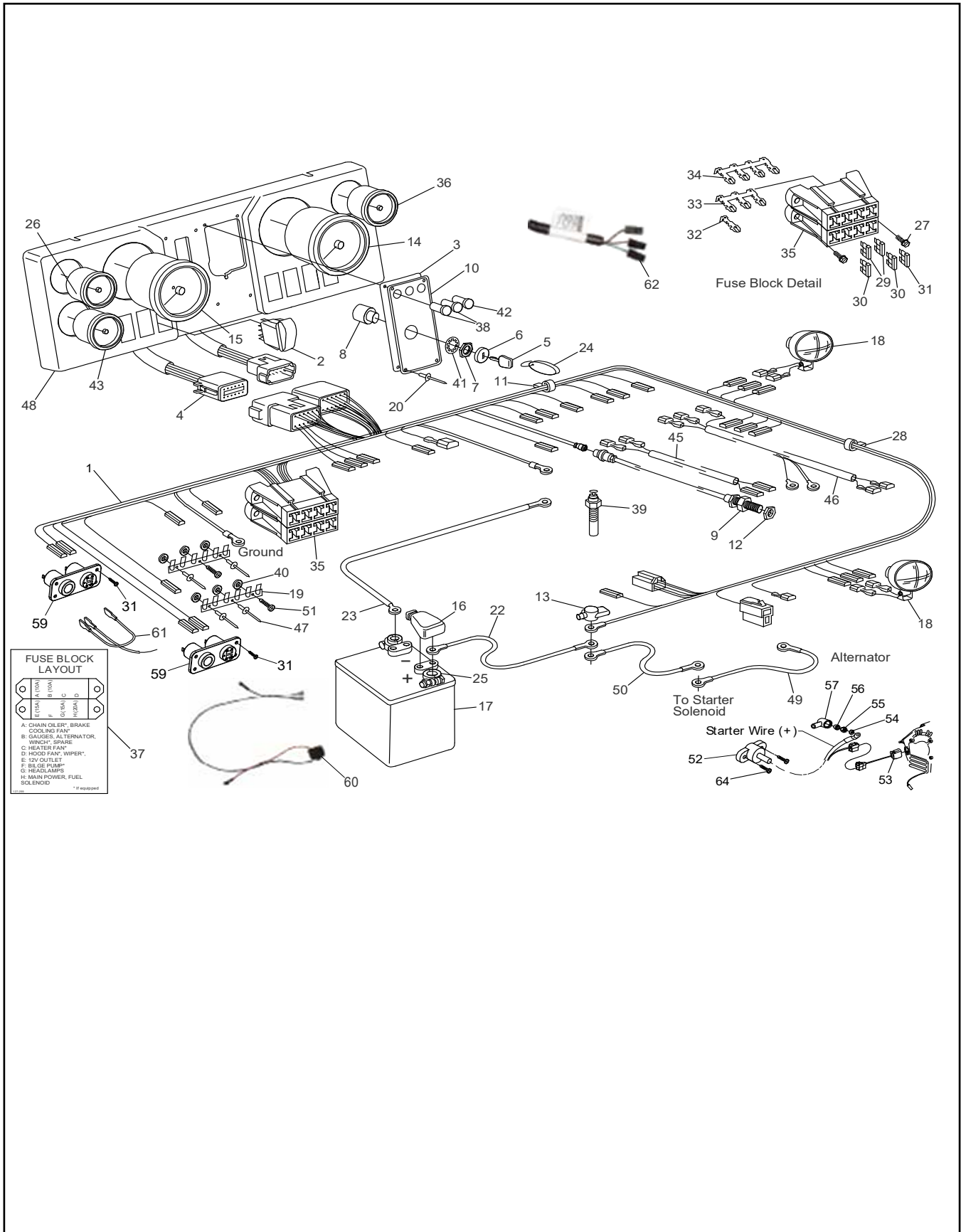
Ref.	Qty.	Part #	Description
1	4	10008CVRT	Wheel, 25" Stl Beadlock Right
1.1	1	10001C	Tire, 25 x 12 - 9 XT117
1.2	1	10006C	Rim, Steel Beadlock 9 x 10
1.3	1	10051J	Ring, Steel Beadlock Blk (Pk of 2)
1.4	1	10048J	Bolt, Steel Beadlock Ring (Pk of 20)
1.5	2	125-26A	Valve, Tire - Unassembled
2	4	10008CVLT	Wheel, 25" Stl Beadlock Left
2.1	1	10001C	Tire, 25 x 12 - 9 XT117
2.2	1	10006C	Rim, Steel Beadlock 9 x 10
2.3	1	10051J	Ring, Steel Beadlock Blk (Pk of 2)
2.4	1	10048J	Bolt, Steel Beadlock Ring (Pk of 20)
2.5	2	125-26A	Valve, Tire - Unassembled
3	40	117-74	Nut, Wheel M12x1,25 Zn



Ref.	Qty.	Part #	Description
1	1	608-88CF	Seat Asm, Bench, CF
2	2	608-81	Hinge, Seat, Bolted
3	2	104-43	Dowel Pin, 3/16x1-1/8" SS
4	4	120-31	Rivet, 3/16" x 1/4", Open End
5	1	950-08	Frame Asm, Backrest, TTN
6	1	608-39CF	Backpad Asm, CF
7	4	112-98	Hex-Head Bolt M6x40
8	4	108-08	Washer .28x.62x.07 Zn
9	8	108-03	Lockwasher 1/4 Split Ring Zn
10	4	103-03	PHMS 1/4-20x1.50 Zn
11	4	112-04	HHCS 1/4-20x3/4 Gr2 Zn
12	4	112-115	Locknut, Nylon M6x1 Zn



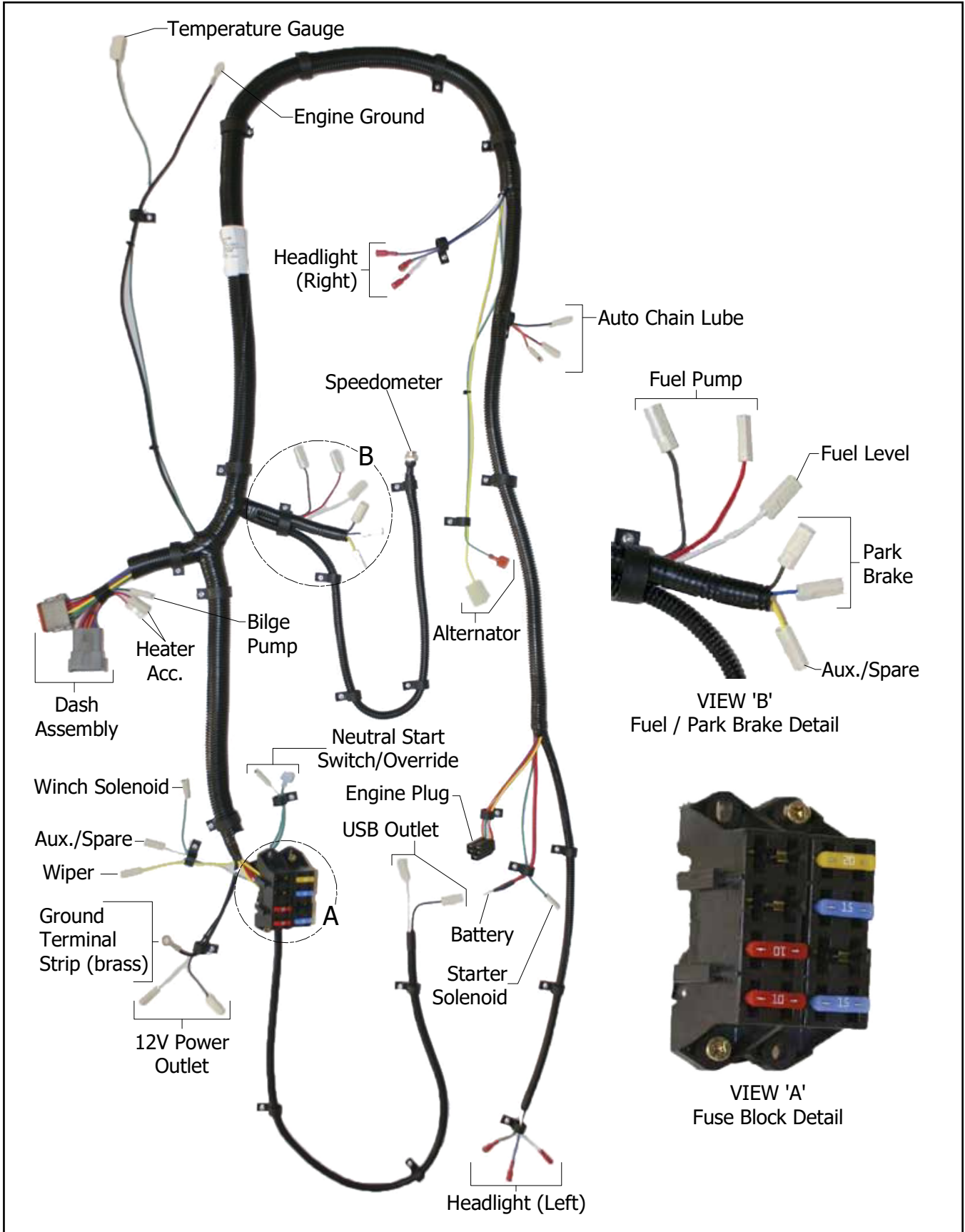
Ref.	Qty.	Part #	Description	Ref.	Qty.	Part #	Description
1	1	608-88CF	Seat Asm, Bench, CF	15	1	850-418	Seat, L Rear Bench, Outfitter, CF
2	2	608-81	Hinge, Seat, Bolted	16	1	850-417	Seat, R Rear Backrest, Outfitter, CF
3	2	104-43	Dowel Pin, 3/16x1-1/8" SS	17	1	850-416	Seat, L Rear Backrest, Outfitter, CF
4	4	120-31	Rivet, 3/16" x 1/4", Open End	18	16	112-97	Hex-Head Bolt M6x25
5	38	108-08	Washer .28x.62x.07 Zn	19	16	117-79	Insert, M6x1,0 -10mm OD
6	38	108-03	Lockwasher 1/4 Split Ring Zn	20	14	112-297	HHCS 1/4-20x1.0 Full Thread
7	4	112-04	HHCS 1/4-20x3/4 Gr2 Zn	22	4	108-01	Washer, Fender 1/4 BS x 1.25OD
8	1	850-415	Seat, Frnt Backrest, Deluxe	23	4	103-08	HHCS 1/4-20x1.0 Gr5 Zn
9	4	112-115	Locknut, Nylon M6x1 Zn				
10	1	958-337	Frame, Conquest Backrest - Deluxe				
11	1	958-257	LH Rear Seat Frame, Outfitter				
12	1	958-263	RH Rear Seat Frame, Outfitter				
13	4	112-299	HHCS, M6x1x50mm				
14	1	850-419	Seat, R Rear Bench, Outfitter, CF				



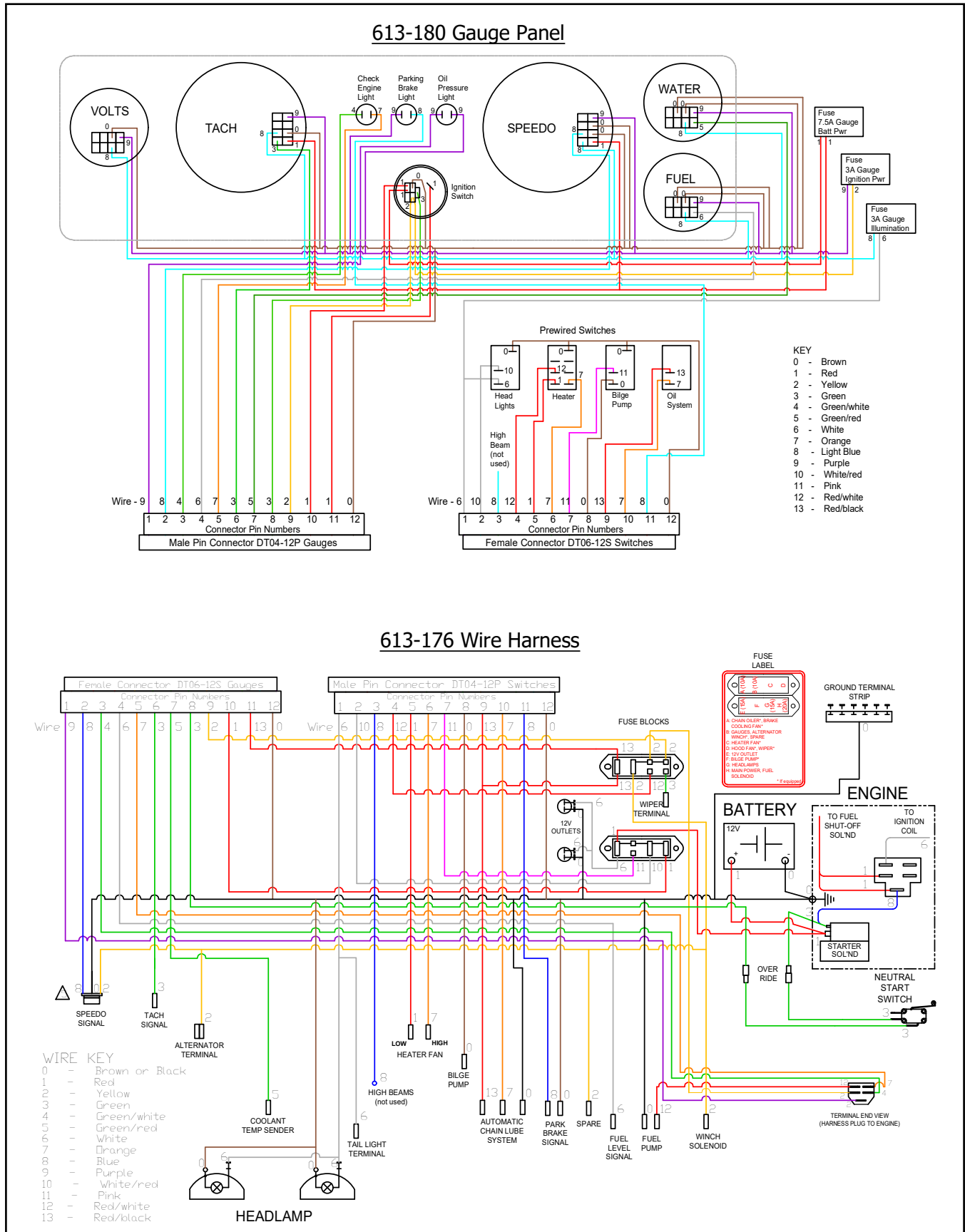
2019/2020 Conquest Parts Manual

11.0 Electrical Group, XT

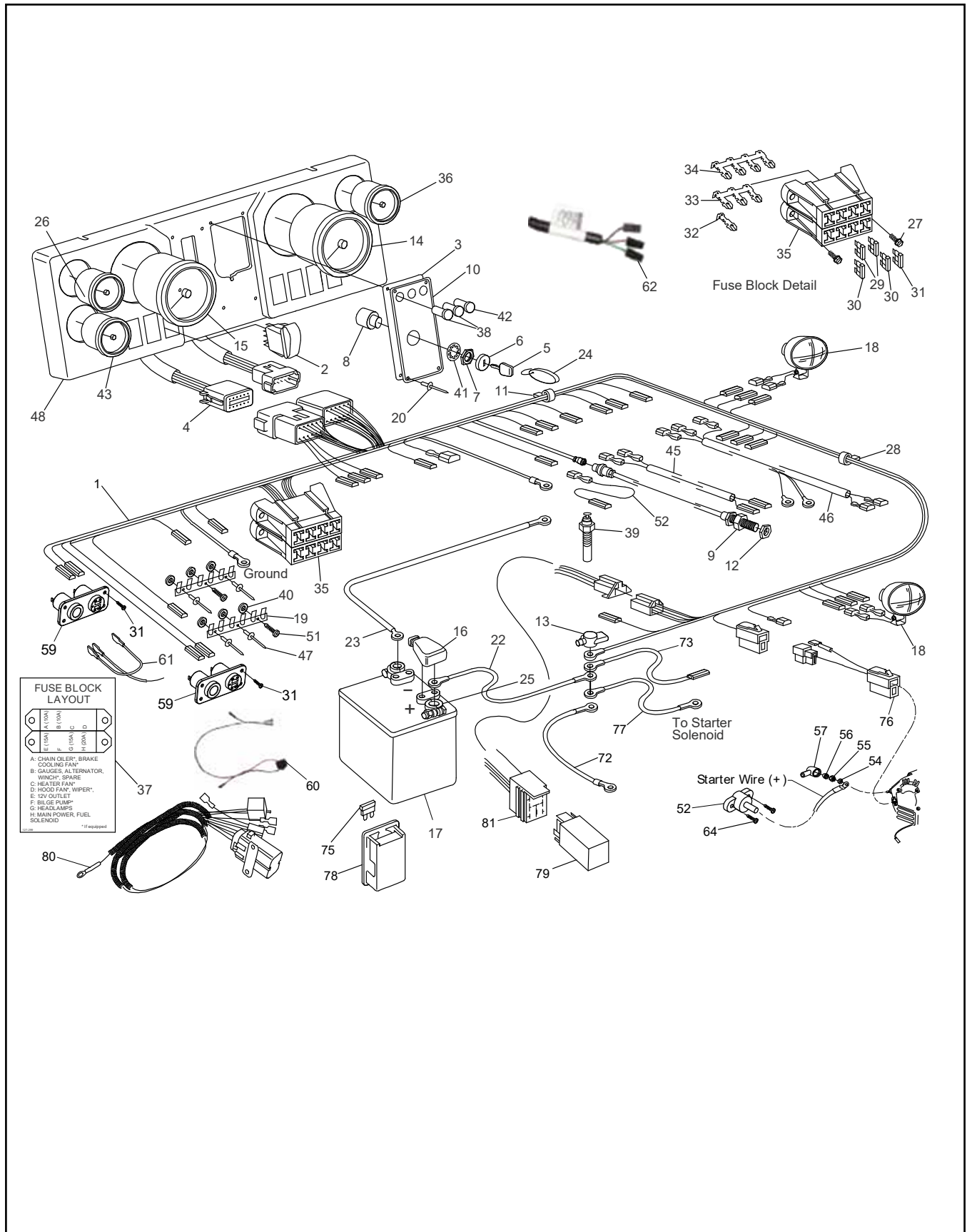
Ref.	Qty.	Part #	Description	Ref.	Qty.	Part #	Description
1	1	613-176	Wire Harness, Kohler EFI XT (see Pg 11.1)	40	6	120-04	Washer .19x.50x.08 Zn
2	1	613-153	Switch, Light	41	1	114-26	Lockwasher, 5/8 Int Tooth
3	1	127-234	Plate, Ignition - TTN	42	1	613-192	Light, Indicator Amber
4	1	613-181	Wire Harness, Gauges XT	43	1	613-199	Gauge, Fuel Level XT
5	2	127-108	Key, Molded	45	2	613-177	Wire Harness, Park Brake XT
6	1	127-107	Cover, Ign Switch	46	1	613-178	Wire Harness, Fuel Pump XT
7	1	127-106	Nut, Flanged - Plastic	47	4	120-15	Rivet - 1/8 x 7/16
8	1	127-105	Switch, Ignition	48	1	613-180	Dash Asm, Panel Gauge Wire XT
9	1	613-126	Sensor, Speedometer Pickup	49	1	613-182	Wire Harness, Alternator XT
10	1	127-236	Label, Ignition - TTN	50	1	613-183	Wire Harness, Power XT
11	4	127-24	Clamp, Nylon - 1" ID	51	2	112-102	Screw, Self Drill 12-14x 3/4"
12	1	117-87	Nut, M12 x 1.25	52	1	613-123	Post, Power, 5/16-18, Red
13	1	613-124	Insulator, 2 Way W/Cap, Red	53	1	613-222	Wire Harness, Alt 60A XT1
14	1	613-184	Gauge, Tachometer XT	54	3	108-03	Lockwasher, 1/4" Split Ring
15	1	613-185	Gauge, Speedometer XT	55	1	117-63	Nut, Hex M6 x 1.0
16	1	127-55	Cap, Battery Terminal-Red	56	1	117-94	Pushnut, 5/32" Shaft
17	1	126-108	Battery, 12V, XT AGM	57	1	613-45	Insulator, Terminal (6 Ga.)
18	2	613-175	Headlight, 12V Bottom Mount-XT	59	2	118-80	Outlet, 12V & Twin USB
	2	613-307	Headlight Bulb, 12V 65w	60	1	613-231	Wire Harness USB LX
19	2	613-37	Terminal Strip, Ground	61	1	613-243	Harness, USB, XT
20	4	120-33	Rivet, 1/8 x 1/2 Black	62	1	613-259	Harness, Winch Diode
21	2	117-69	Insert, M8x1.25-13.5mm OD	63	1	613-222	Wire Harness, ALT. 60A, XT1
22	1	613-197	Wire, Positive Battery XT	64	2	112-110	Screw, Self Drilling 12-14x1"
23	1	613-198	Wire, Negative Battery XT	65	1	953-09	Bracket, Speedo Mount, RM
24	1	681-00	FOB, Key-Floating-Argo Profile	66	2	112-203	SHCS 1/4-20x1/4 Zn
25	2	127-56	Terminal, Battery Post	67	3	127-124RM	Tubing, Convoluted 3/8" I.D.
26	1	613-186	Gauge, Coolant Temp XT	68	2	100-102	Tie Wrap-14" - White - 50lb
27	2	112-51	Screw, IHWH T/C #10-24x5/8	69	39	100-64	Tie Wrap - 5.5" - Black
28	4	126-93	Clamp, Nylon Wire-1/2" ID	70	2	118-81	Connector, Butt, 22-18 AWG
29	2	118-52	Fuse-10A 2 Prong (AT010)	71	5	118-02	Terminal, Male - #76-1251
30	2	118-49	Fuse-15A 2 Prong (AT010)				
31	8	112-139	OHPS T/S #4x5/8 Black Zn				
32	9	118-62	Terminal - Fuse, Single				
33	1	118-63	Terminal - Fuse, Triple				
34	1	118-61	Terminal - Fuse, Quad				
35	2	118-60	Block-Fuse, 8 Position (4 Fuse)				
36	1	613-187	Gauge, Battery Voltage XT				
37	1	127-299	Label, Fuse Panel - XT				
38	2	613-191	Light, Indicator Red				
39	1	119-11	Sender, Coolant Temp, VDO				



2019/2020 Conquest Parts Manual 11.2 Wiring Diagram - XT/XTD



11.3 Electrical Group, XT-Diesel 2019/2020 Conquest Parts Manual

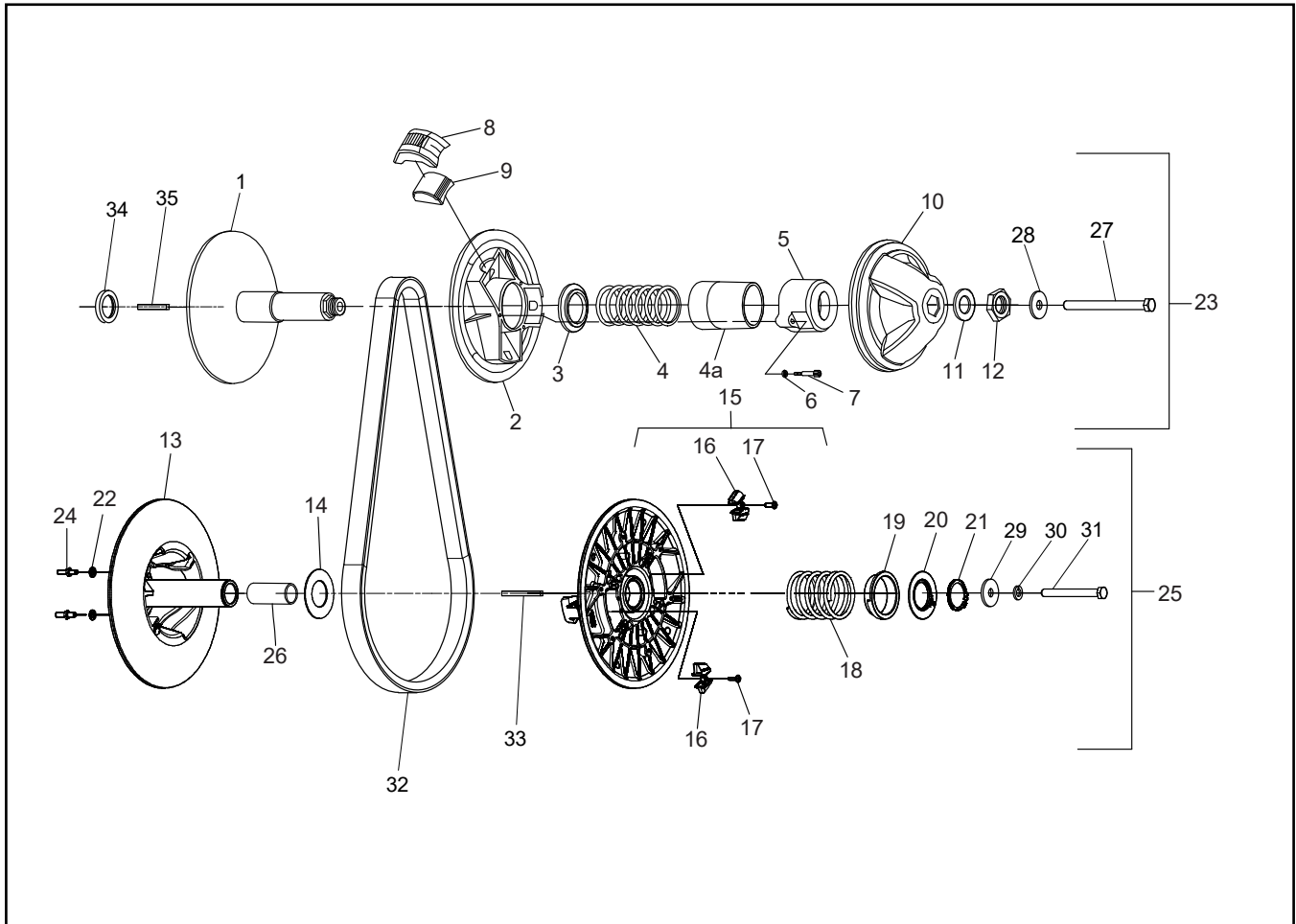


2019/2020 Conquest Parts Manual 11.3 Electrical Group, XT-Diesel

Ref.	Qty.	Part #	Description	Ref.	Qty.	Part #	Description
1	1	613-176	Wire Harness, Kohler EFI XT (see Pg 11.1)	42	1	613-192	Light, Indicator Amber
2	1	613-153	Switch, Light	43	1	613-199	Gauge, Fuel Level XT
3	1	127-234	Plate, Ignition - TTN	45	2	613-177	Wire Harness, Park Brake XT
4	1	613-181	Wire Harness, Gauges XT	46	1	613-178	Wire Harness, Fuel Pump XT
5	2	127-108	Key, Molded	47	4	120-15	Rivet - 1/8 x 7/16
6	1	127-107	Cover, Ign Switch	48	1	613-180	Dash Asm, Panel Gauge Wire XT
7	1	127-106	Nut, Flanged - Plastic	50	1	613-183	Wire Harness, Power XT
8	1	127-105	Switch, Ignition	51	2	112-102	Screw, Self Drill 12-14 x 3/4"
9	1	613-126	Sensor, Speedometer Pickup	52	1	613-123	Post, Power, 5/16-18, Red
10	1	127-236	Label, Ignition - TTN	54	3	108-03	Lockwasher, 1/4" Split Ring
11	4	127-24	Clamp, Nylon - 1" ID	55	1	117-63	Nut, Hex M6 x 1.0
12	1	117-87	Nut, M12 x 1.25	56	1	117-94	Pushnut, 5/32" Shaft
13	1	613-124	Insulator, 2 Way W/Cap, Red	57	1	613-45	Insulator, Terminal (6 Ga.)
14	1	613-184	Gauge, Tachometer	59	2	118-80	Outlet, 12V & Twin USB
15	1	613-185	Gauge, Speedometer XT	60	1	613-231	Wire Harness USB LX
16	1	127-55	Cap, Battery Terminal-Red	61	1	613-243	Harness, USB, XT
17	1	126-108	Battery, 12V, XT AGM	62	1	613-259	Harness, Winch Diode
18	2	613-175	Headlight, 12V Bottom Mount-XT	63	1	613-222	Wire Harness, Alt. 60A, XTI
	2	613-307	Headlight Bulb, 12V 65w	64	2	112-110	Screw, Self Drilling 12-14x1"
19	2	613-37	Terminal Strip, Ground	65	1	953-09	Bracket, Speedo Mount, RM
20	4	120-33	Rivet, 1/8 x 1/2 Black	66	2	112-203	SHCS 1/4-20x1/4 Zn
21	2	117-69	Insert, M8x1.25-13.5mm OD	67	3	127-124RM	Tubing, Convuluted 3/8" ID
22	1	613-197	Wire, Positive Battery XT	68	2	100-102	Tie Wrap - 14" - White-50lb
23	1	613-198	Wire, Negative Battery XT	69	39	100-64	Tie Wrap - 5.5" - Black
24	1	681-00	FOB, Key-Floating-Argo Profile	71	5	118-02	Terminal, Male - #76-1251
25	2	127-56	Terminal, Battery Post	72	1	613-214	Wire Harness, Glow Fuse - XTD
26	1	613-186	Gauge, Coolant Temp XT	73	1	613-215	Wire Harness, ALT. OUT-XTD
27	2	112-51	Screw, IHWH T/C #10-24x5/8	74	1	613-219	Wire Harness, Eng Temp - XTD
28	4	126-93	Clamp, Nylon Wire-1/2" ID	75	1	118-76	Fuse, 50A, Maxi
29	2	118-52	Fuse-10A 2 Prong (AT010)	76	1	613-213	Wire Harness, Alternator - XTD
30	2	118-49	Fuse-15A 2 Prong (AT010)	77	1	613-216	Wire Harness, Starter - XTD
31	8	112-139	OHPS T/S #4x5/8 Black Zn	78	1	613-218	Holder, Fuse, Maxi
32	9	118-62	Terminal - Fuse, Single	79	1	ED0021931340-S	Relay
33	1	118-63	Terminal - Fuse, Triple	80	1	613-260	Harness, Neutral By Pass Relay
34	1	118-61	Terminal - Fuse, Quad	81	1	613-212	Wire Harness, KDW1003- XTD
35	2	118-60	Block-Fuse, 8 Position (4 Fuse)				
36	1	613-187	Gauge, Battery Voltage XT				
37	1	127-299	Label, Fuse Panel - XT				
38	2	613-191	Light, Indicator Red				
39	1	119-11	Sender, Coolant Temp, VDO				
40	6	120-04	Washer .19x.50x.08 Zn				
41	1	114-26	Lockwasher, 5/8 Int Tooth				

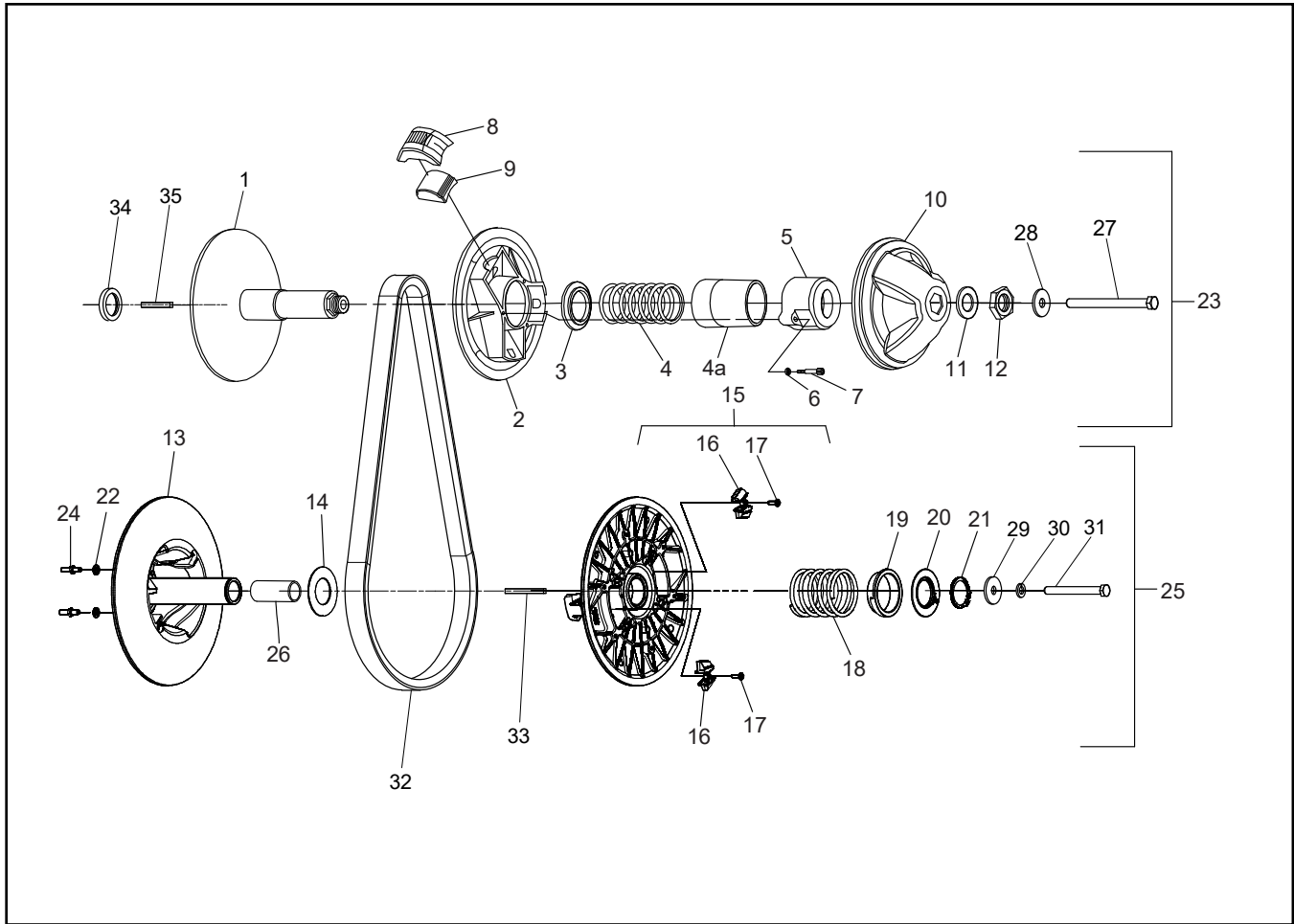
12.0 Clutch Group - XT

2019/2020 Conquest Parts Manual



Ref.	Qty.	Part #	Description	Ref.	Qty.	Part #	Description
1	1	0405-0138	Flange, Fixed	18	1	5951-1009	Spring
2	1	0410-0033	Flange, Sliding	19	1	5950-3003	Spring Protector
3	1	0150-1014	Spring Guide Washer	20	1	5950-3002	Spring Support
4	1	1151-1114	Spring	21	1	0080-0216	Retaining Ring, Outside
4a	1	0450-3002	Guide, Spring	22	2	0080-0167	Lockwasher
5	1	0440-0005	Spring Cover	23	1	610-128	Clutch, Driver - EFI Models
6	3	0080-0167	Lockwasher	24	2	0080-0035	Screw & Nut Ass'y
7	3	0080-0021	Screw, Cap	25	1	127-156	Clutch, Driven - In Vance
8	3	0130-3012	Block	26	1	5940-2001	Keyway Stopper
9	3	0135-3061	Weight (230gr) - EFI Model	27	1	112-160	HHCS 7/16-20x5.0 LG
	1	127-208	Weight Set (3),185g-High Elevation	28	1	108-58	Washer .156x.375x.047 Zn
	1	127-209	Weight Set (3), 220g-High Elevation	29	1	108-46	Washer .40x1.37x.12 Hi-Carbon
	1	127-210	Weight Set (3),240g-High Elevation	30	1	108-06	Lockwasher 3/8 Split-Ring Bnz
10	1	0115-2061	Cap	31	1	112-164	HHCS 3/8-16x3.5 Gr5 Zn
11	1	0080-0804	Washer, Zn	32	1	127-137HD	Drive Belt -AVG/HDi -HVY Duty
12	1	V16J1	Nut	33	1	110-03	Key 1/4x3/16x2.375 RC46
13	1	5905-0003	Flange, Fixed	34	1	108-84	Washer, Engine, Clutch
14	1	0080-0164	Washer, Shim	35	1	110-18	Key, 1/4 x 1/4 x 1 3/4 45RC
15	1	5910-0002	Flange, Sliding				
16	3	5930-3001	Cam Shoe				
17	2	0080-0031	Screw				

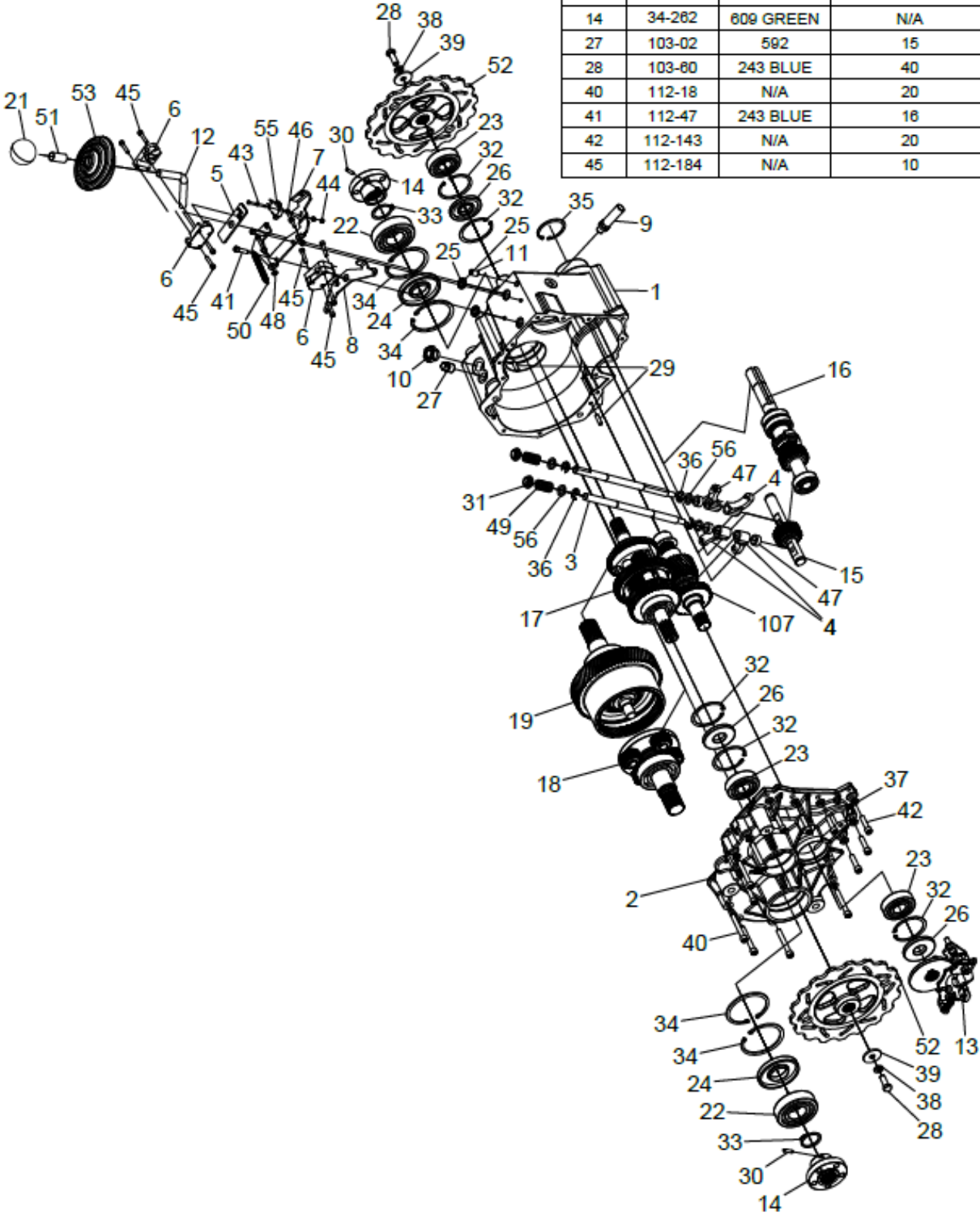
2019/2020 Conquest Parts Manual 12.1 Clutch Group - XT Diesel



Ref.	Qty.	Part #	Description	Ref.	Qty.	Part #	Description
1	1	0405-0137	Flange, Fixed	18	1	5951-1009	Spring
2	1	0410-0033	Flange, Sliding	19	1	5950-3003	Spring Protector
3	1	0150-1014	Spring Guide Washer	20	1	5950-3002	Spring Support
4	1	1151-1110	Spring	21	1	0080-0216	Retaining Ring, Outside
4a	1	0450-3002	Guide, Spring	22	2	0080-0167	Lockwasher
5	1	0440-0005	Spring Cover	23	1	610-130	Clutch, Driver - XTD
6	3	0080-0167	Lockwasher	24	2	0080-0035	Screw & Nut Ass'y
7	3	0080-0021	Screw, Cap	25	1	127-156	Clutch, Driven - INVANCE
8	3	0130-3012	Block	26	1	5940-2001	Keyway Stopper
9	3	0135-3064	Weight (260gr)	27	1	112-160	HHCS 7/16-20x5.0 LG
	1	127-208	Weight Set (3),185g-High Elevation	28	1	108-58	Washer .156x.375x.047 Zn
	1	127-209	Weight Set (3),220g-High Elevation	29	1	108-46	Washer .40x1.37x.12 Hi-Carbon
	1	127-210	Weight Set (3),240g-High Elevation	30	1	108-06	Lockwasher 3/8 Split-Ring Bnz
10	1	0115-2061	Cap	31	1	112-164	HHCS 3/8-16x3.5 Gr5 Zn
11	1	0080-0804	Washer, Zn	32	1	127-159HD	Drive Belt -Frontier-HVY Duty
12	1	V16J1	Nut	33	1	110-03	Key 1/4x3/16x2.375 RC46
13	1	5905-0003	Flange, Fixed	34	1	108-84	Washer, Engine, Clutch
14	1	0080-0164	Washer, Shim	35	1	110-18	Key, 1/4 x 1/4 x 1 3/4 45RC
15	1	5910-0002	Flange, Sliding				
16	3	5930-3001	Cam Shoe				
17	2	0080-0031	Screw				

13.0 Transmission, Admiral (34-200-7.1) 2019/2020 Conquest Parts Manual

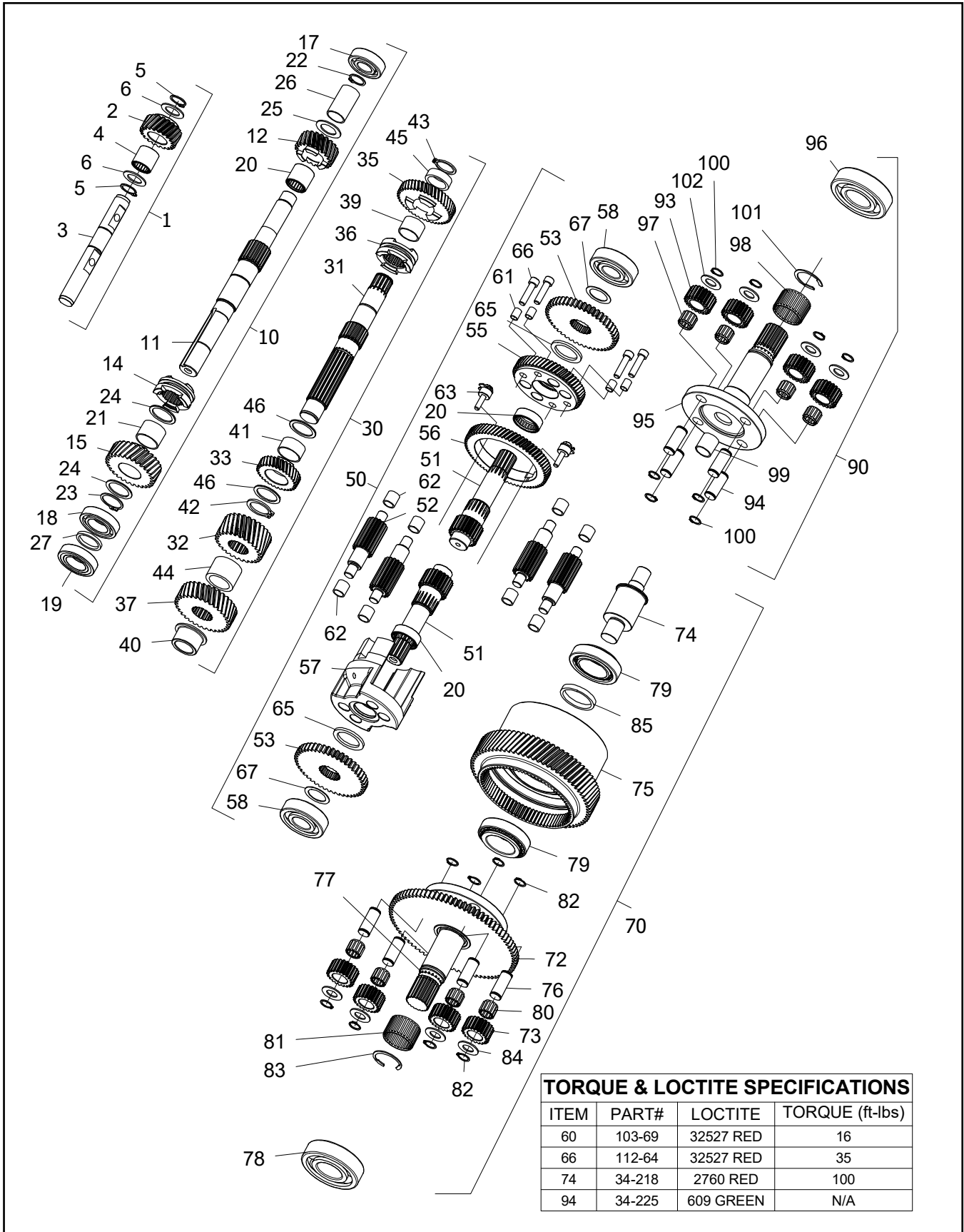
TORQUE & LOCTITE SPECIFICATIONS			
ITEM	PART#	LOCTITE	TORQUE (ft-lbs)
11	34-258	243 BLUE	N/A
14	34-262	609 GREEN	N/A
27	103-02	592	15
28	103-60	243 BLUE	40
40	112-18	N/A	20
41	112-47	243 BLUE	18
42	112-143	N/A	20
45	112-184	N/A	10



2019/2020 Conquest Parts Manual 13.0 Transmission, Admiral (34-200-7.1)

Ref.	Qty.	Part #	Description	Ref.	Qty.	Part #	Description
1	1	34-227	Housing, Transmission	36	4	106-30	Retaining Ring E-0050 E
2	1	34-228	Cover, Transmission	37	10	108-05	Lockwasher 5/16 Split-Ring Zn
3	2	34-231	Shaft, Shift - F-N-R	38	2	108-06	Lockwasher 3/8 Split-Ring Zn
4	4	34-232	Fork, Shift - Half	39	2	108-18	Washer .40x1.37x.12 Zn
5	1	34-233	Plate, Detent	40	7	112-18	SHCS 5/16-18x2.25
6	4	34-236	Clamp, Lever Shaft	41	2	112-47	SHCS 1/4-20x1.0 Zn
7	1	34-241	Bracket, Switch, Spring Mount	42	6	112-143	SHCS 5/16x1.25 Zn
8	1	34-242	Bracket, Spring Mount	43	2	112-172	SHCS 5-40x3/4 Zn
9	1	34-245	Plug, Fill/Vent 1/4 BSPP	44	2	112-173	Locknut, #5-40, Zn
10	1	34-251	Sight Glass, Aluminum, 1/2 BSP	45	8	112-184	SHCS, 10-32x1
11	1	34-258	Plunger, Ball-Nose Spring	46	2	112-195	SHCS 8-32 x 1.5 Stainless
12	1	34-259	Lever, Titan, F-N-R	47	3	114-21	Spacer, .51x.75x.36
13	1	34-261	Brake, Caliper Asy	48	4	117-92	Nut, Hex Machine #8-32 Zn
14	2	34-262	Coupler, Output Shaft, Pinned	49	2	127-186	Spring, Comp. 0.70x1.28
15	1	34-290	Asm, Reverse Shaft-ADM	50	1	127-194	Spring, Ext .360 x 3.0
16	1	34-291-7.3	Asm, Input Shaft - ADM	51	1	127-229	Sleeve, Insulating - 1.25"
17	1	34-292	Asm, Differential - ADM	52	2	165-22	Disc, Brake
18	1	34-293	Asm, Output Shaft RH - ADM	53	1	609-44	Boot, F-N-R Shifter
19	1	34-294	Asm, Output Shaft LH - ADM	54	1	613-112	Wire Harness, Neutral Start
20	1	34-295-7.3	Asm, Idler Shaft - ADM	55	1	613-151	Switch, Micro, Roller Lever
21	1	34-344	Knob, Shift - Plain	56	4	12731594	Washer, Flat 13,0x20,0x 2,0
22	2	101-81	Bearing, Ball 6307 ZZE				
23	3	101-86	Bearing, Ball 6305 ZZ				
24	2	102-33	Seal, Oil 35x80x10				
25	2	102-36	Seal, Shift Shaft - 0.5x.75x.125				
26	3	102-37	Seal, Oil 25x62x7				
27	1	103-02	Plug, Magnetic 3/8-18NPT SQ.HD				
28	2	103-60	HHCS 3/8-24 x 1 Gr5				
29	2	104-03	Pin, Dowel 1/4x7/8				
30	2	104-75	Pin, Spring, 3/16x13/16 Zn				
31	2	105-33	Bushing, Flange				
32	5	106-05	Retaining Ring HO-244-PA				
33	2	106-23	Retaining Ring SHR-0137-PA				
34	4	106-24	Retaining Ring H0-312-PA				
35	1	106-26	Retaining Ring H0-206-PA				

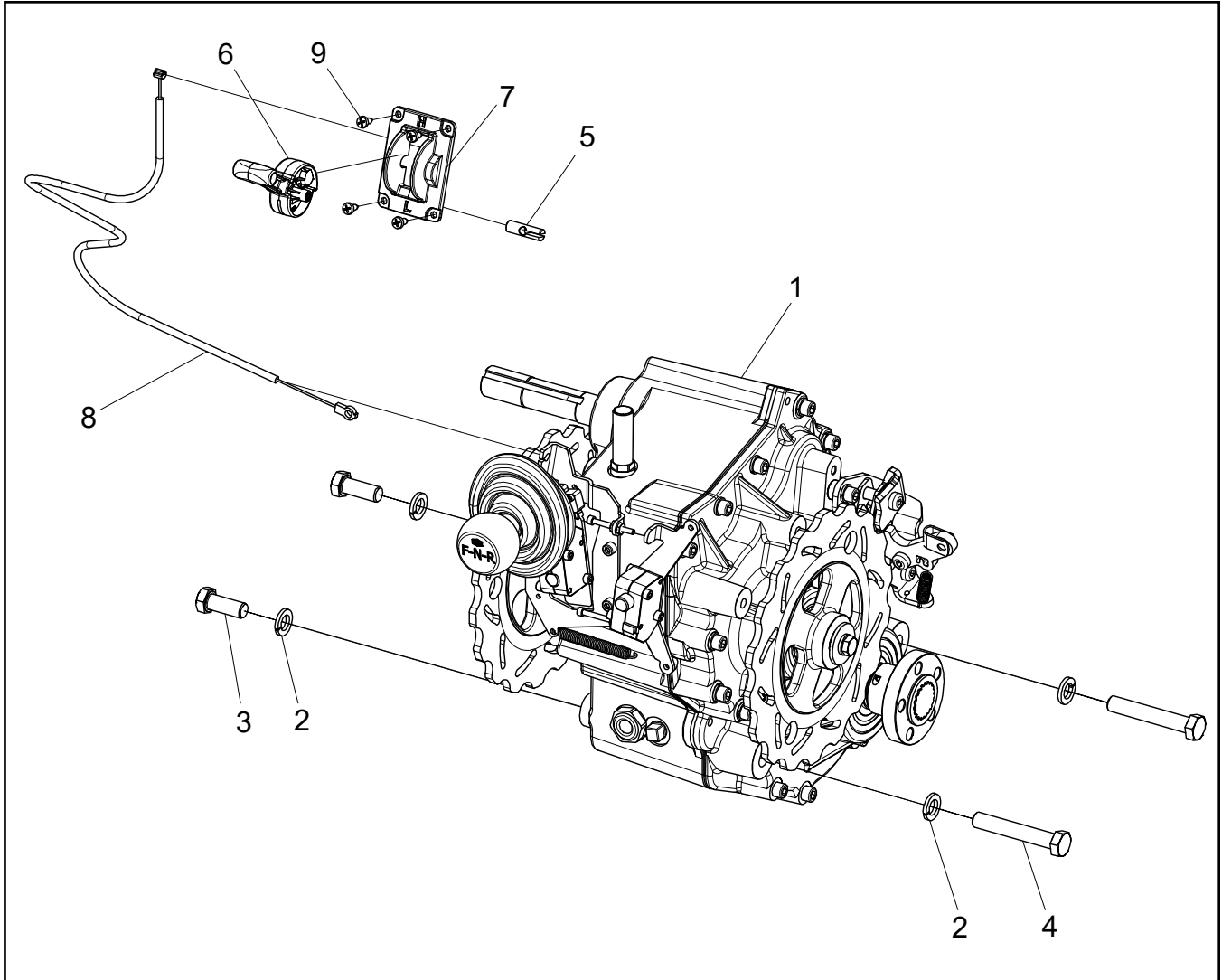
13.1 Transmission Sub-Assemblies 2019/2020 Conquest Parts Manual



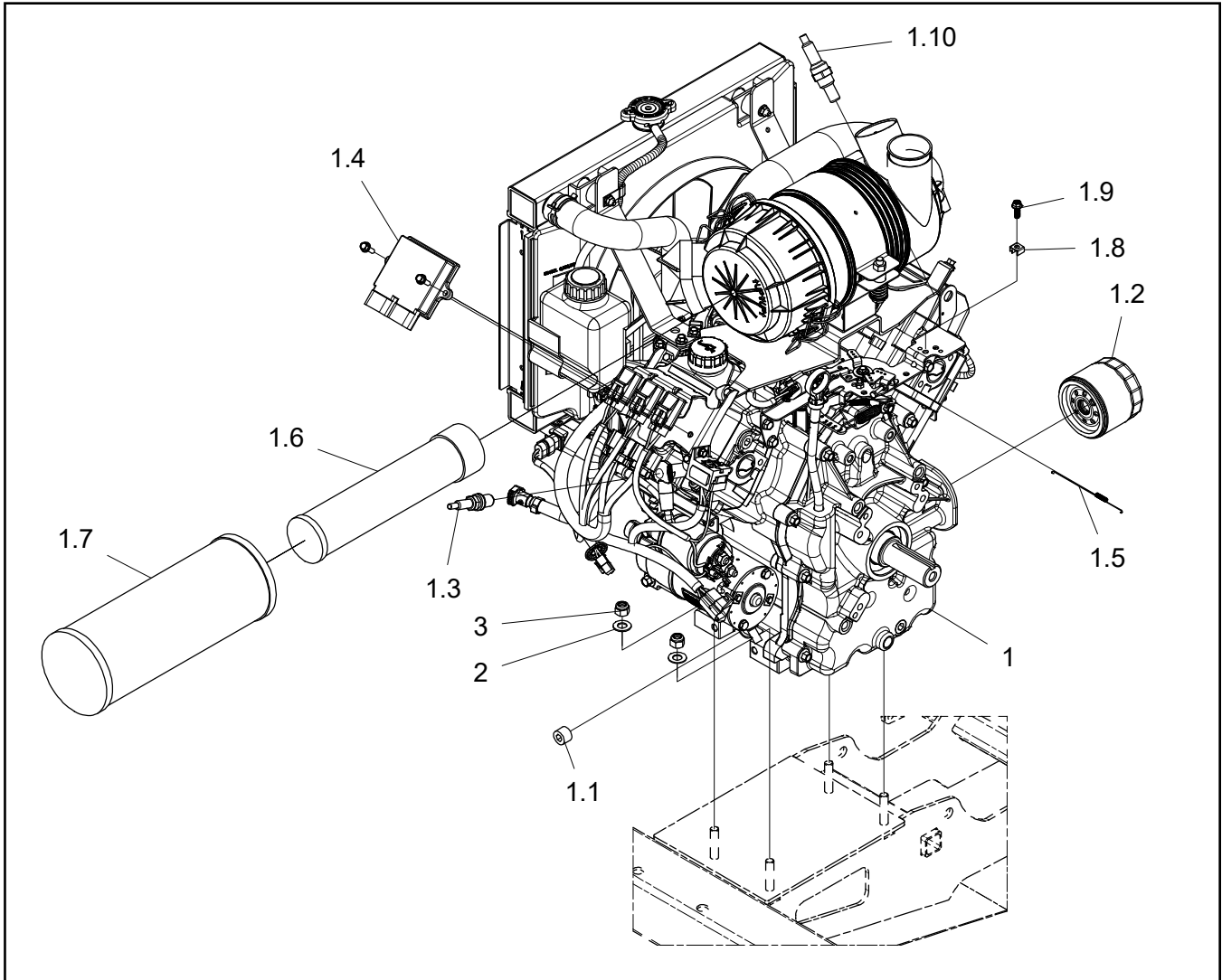
2019/2020 Conquest Parts Manual 13.1 Transmission Sub-Assemblies

Ref.	Qty.	Part #	Description	Ref.	Qty.	Part #	Description
1	1	34-290	Asm, Reverse Shaft - ADM. includes:	59	2	101-84	Bearing, Needle HK3012
2	1	34-220	Pinion, Idler - 20T	60	2	103-97	HHCS 1/4-20x1.25 Gr5 Brz
3	1	34-221	Shaft, Shift - Reverse	61	4	105-23	Bushing, Dowel - .312 x .5
4	1	101-87	Bearing, Needle HMK20x27x25	62	8	105-27	Bushing, Oilite .5x.625x.625
5	2	106-25	Retaining Ring SH-0078-PA	63	2	105-28	Bushing, Dowel .26x.625x.36
6	2	108-99	Washer, Thrust .79x1.25x.06	64	2	500-0029	Washer Lock Tab
10		34-291-7.3	Asm, Input Shaft Includes:	65	2	108-94	Washer, Thrust 1.25x1.688x.125
11	1	34-213	Shaft, Input	66	4	112-64	SHCS 5/16-18x1.25
12	1	34-214	Pinion, Reverse - 21T, 12DP	67	2	114-16	Washer, Shim .99x1.375x.030
13	1	34-215	Pinion, Forward - 27T, 12DP	70	1	34-294-HS	Asm, Output Shaft LH- Adm. includes:
14	1	34-224	Collar, Shift, For-Rev	72	1	34-207-HS	Gear, Sun - 84T, 35T
17	1	101-01	Bearing, Ball 6204Z-C3	73	4	34-217	Gear, Planet - 21T
18	1	101-88	Bearing, Ball 60/28	74	1	34-218	Shaft, Planetary Stub
19	1	101-89	Bearing, Ball 60/28 LLU	75	1	34-219	Hub, Planetary, 73T, 79T
20	1	101-90	Bearing, Needle HK2220	76	4	34-225	Pin, Planet Carrier
21	1	105-32	Bushing, Bronze 1.125 x 1.25 x .875	77	1	34-263	Carrier Shaft, Grooved LH
22	1	106-25	Retaining Ring SH-0078-PA	78	1	101-73	Bearing, Ball 6307 CL.N.
23	1	106-27	Retaining Ring SH-112-PA	79	2	101-76	Bearing, Taperd Roller 32008X
24	2	108-98	Washer, Thrust 1.13x1.46x.062	80	4	101-82	Bearing, Needle K15x21x17
25	1	114-17	Washer, Thrust .866x1.38x.062	81	1	101-83	Bearing, Needle KJ37x42x27S
26	1	114-18	Spacer, .870x1.0x1.68	82	8	106-22	Retaining Ring SH-0056-PA
27	1	114-19	Spacer, 1.12x1.375x.148	83	1	106-31	Retaining Ring C-0137
30		34-295-7.3	Asm, Idler Shaft includes:	84	4	108-93	Washer, .59x1.10x.06
31	1	34-208	Shaft, Idler	85	1	114-22	Spacer, 1.585x1.75x.245
32	1	34-209	Pinion, Helical - 27T 12 DP	90	1	34-293-HS	Asm, Output Shaft RH- ADM includes:
33	1	34-210	Pinion, Helical - 31T	92	1	34-207-HS	Gear, Sun - 84T, 35T
34	1	34-211	Gear, Helical - 35T	93	4	34-217	Gear, Planet - 21T
35	1	34-212	Pinion, Helical - 45T	94	4	34-225	Pin, Planet Carrier
36	1	34-223	Collar, Shift, Hi-Low	95	1	34-264	Carrier Shaft, Grooved RH
39	1	105-29	Bushing, Oilite 1.0x1.125x.75	96	1	101-73	Bearing, Ball 6307 CL.N.
40	1	105-30	Bushing, Flanged 1x1.375	97	4	101-82	Bearing, Needle K15x21x17
41	1	105-31	Bushing, Bronze 1.125x1.25x.625	98	1	101-83	Bearing, Needle KJ37x42x27S
42	1	106-28	Retaining Ring SHR-0112-PA	99	1	105-26	Bushing, Oilite .75x.875x.875
43	1	107-15	Retaining Ring SHR-98-PA	100	8	106-22	Retaining Ring SH-0056-PA
44	1	108-96	Spacer, 1.125x1.5x1.083	101	1	106-31	Retaining Ring C-0137
45	1	108-97	Spacer, 1.01x1.3x.409	102	4	108-93	Washer, .59 x 1.10 x .060
46	2	108-98	Washer, Thrust 1.13x1.46x.062				
50	1	34-292-HS	Asm, Differential - ADM. includes:				
51	2	34-201	Shaft, Brake				
52	4	34-202	Gear, Planet - 15T				
53	2	34-203	Pinion, Spur - 46T				
54	2	34-203-HS	Pinion, Spur - 43T				
55	1	34-204	Gear, Helical - 55T				
56	1	34-205	Gear, Helical - 67T				
57	1	34-206	Cage, Differential				
58	2	101-40	Bearing, Ball 6305 Open				

13.2 Transmission & Hardware Group 2019/2020 Conquest Parts Manual



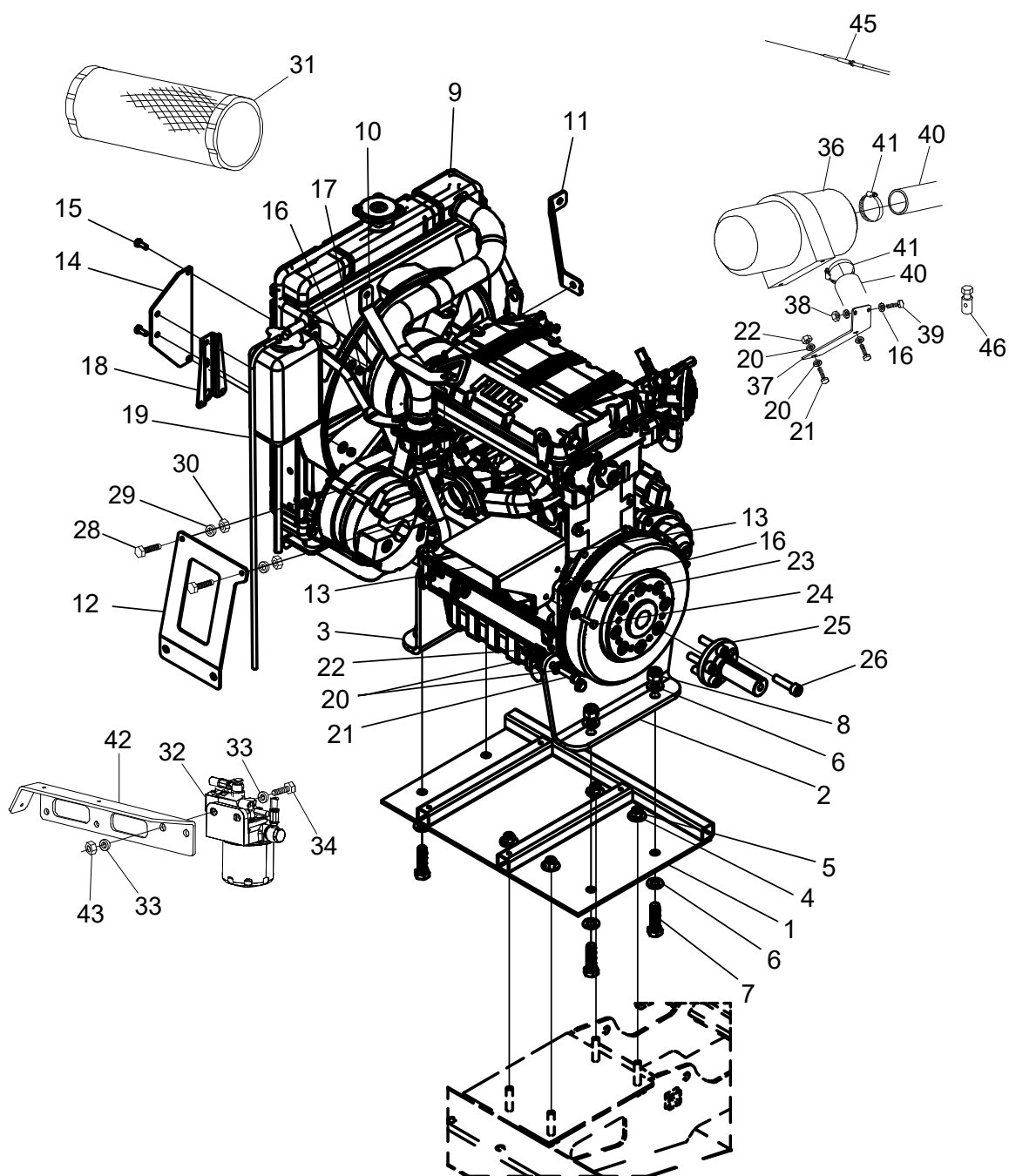
Ref.	Qty.	Part #	Description
1	1	34-200-7.1	Transmission, Admiral, 7.1 Ratio
2	4	108-107	Lockwasher 1/2 Split-Ring Zn
3	2	112-189	HHCS 1/2-13x1.25 Gr5 Zn
4	2	112-190	HHCS 1/2-13x3.00 Gr5 Zn
5	1	500-0002	Toggle, Shift Cable
6	1	127-212	Pivot, Hi-Lo Shifter
7	1	127-211	Bracket, Hi-Lo Shifter
8	1	500-0001	Cable, Shift
9	4	103-48	T/S Pan Hd Phil #10x5/8 A Blk



Ref.	Qty.	Part #	Description
1	1	ELH775-3011	Engine, Kohler 747cc EFI
1.1	2	25 139 62	Plug, Oil
1.2	1	12 050 01	Filter, Oil - Kohler
1.3	2	127-193	Spark Plug, RC14YC
1.4	1	66 584 15	ECU (c/w engine)
1.5	1	24 089 01	Spring, Linkage
1.6	1	25 083 04	Filter, Air Inner - Kohler
1.7	1	25 083 01	Filter, Air Outer - Kohler
1.8	1	12 237 01	Clamp, Cable
1.9	1	25 086 398	HFHS, M5x0.8x16mm
1.10	1	25 418 07	Sensor, Oxygen 4 Wire
2	4	108-15	Washer .42x.81x.05 Zn
3	4	117-29	Locknut, Nylon 3/8-16 Zn

Link for Kohler Engine Parts Lookup: <http://www.kohlerplus.com/login.asp>
IMPORTANT: No username or password is required. Check mark the "I accept" box and click "enter as guest" link.
 (The Kohler Parts Lookup website only works with Internet Explorer and you may be asked to install a plugin to which you must accept). Click + Product Catalog> + Aegis> +ELH775> +ELH775-3011.

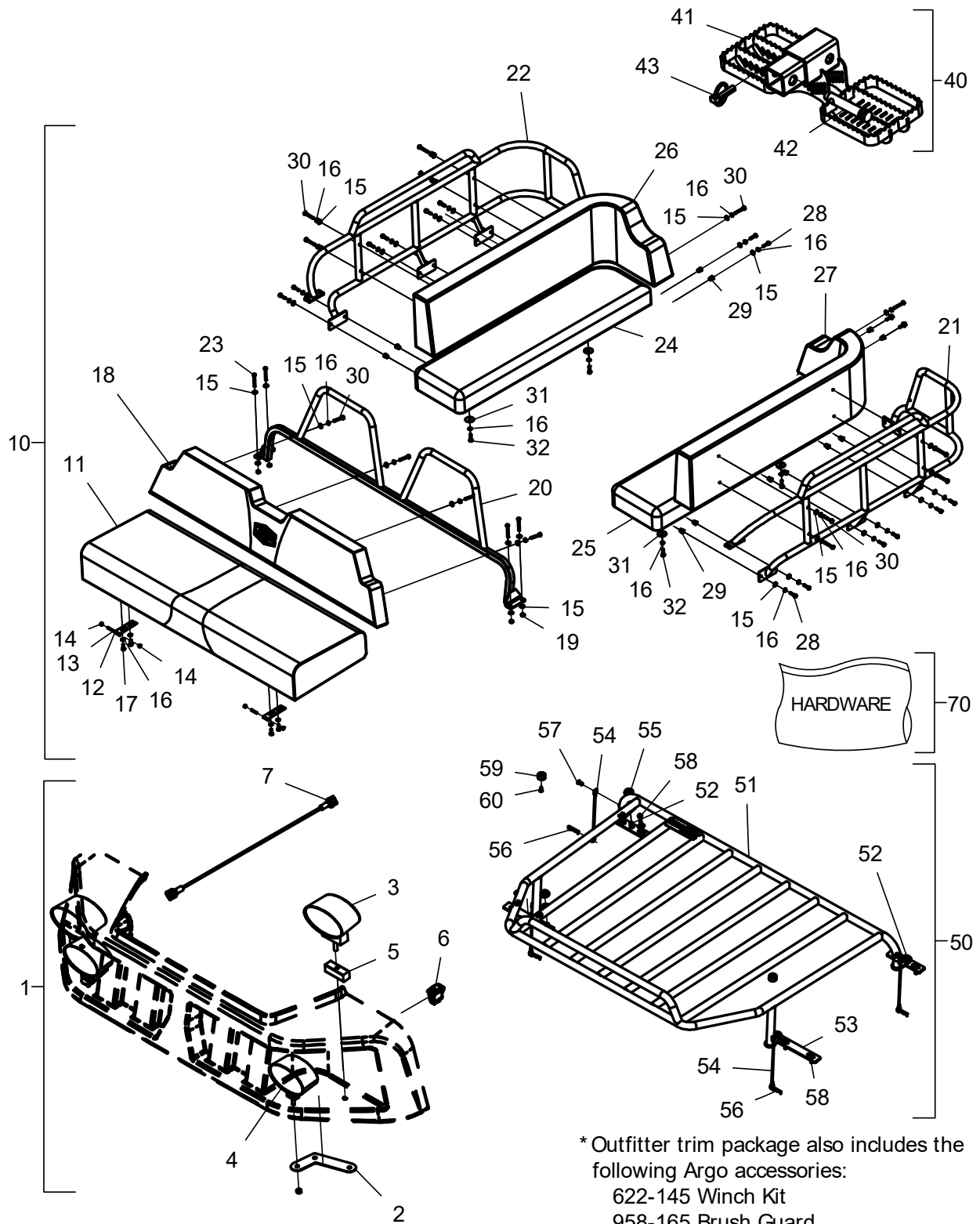
14.1 Engine Group - XT Diesel 2019/2020 Conquest Parts Manual



Link for Kohler Diesel Engine KDW1003 Parts Lookup:
<https://power.kohler.com/na-en/engines/product/kdw1003>

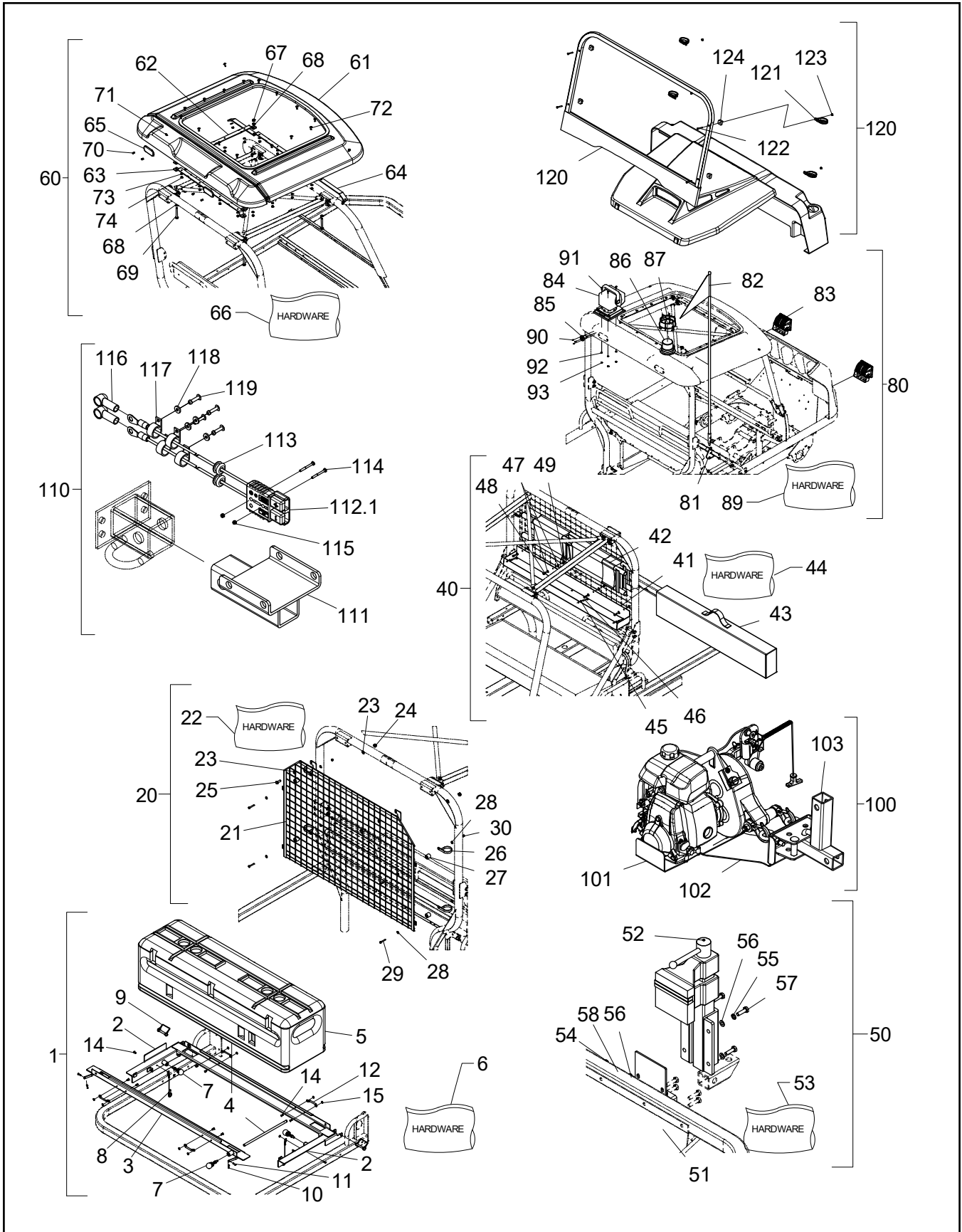
2019/2020 Conquest Parts Manual 14.1 Engine Group - XT Diesel

Ref.	Qty.	Part #	Description
1	1	950-36	Mount, Engine - XTD
2	1	953-69	Support, Engine LH - XTD
3	1	953-68	Support, Engine RH - XTD
4	4	108-26	Washer .43x1.02x.09 Zn
5	4	117-29	Locknut, Nylon 3/8-16 Zn
6	8	108-103	Washer, 0.51x0.94x0.10, Zn
7	4	112-237	HHCS 1/2-13x1.75 Gr5 Zn
8	4	117-66	Locknut, Nylon 1/2-13 Zn
9	1	KDW1003-5025A	Diesel Engine, Kohler, 24HP
10	1	953-90	Rad Support RM, FWD - XTD
11	1	953-91	Rad Support RM, REAR - XTD
12	1	952-168	Bracket, ECU TTN
13	1	953-82	Shield, Oil Filter XTD
14	1	953-81	Mount, Overflow Bottle - XTD
15	2	112-118	HHCS M6x1,0x15mm
16	5	108-08	Washer .28x.62x.07 Zn
17	3	112-115	Locknut, Nylon M6x1 Zn
18	1	825106	Bracket-Mounting
19	1	825462	Overflow Tank Kit
20	8	108-24	Washer .34x.70x.06 Zn
21	6	112-233	HHCS M8x1,25x30mm Gr8 Zn
22	6	117-77	Locknut, Nylon - M8x1,25mm Zn8
23	1	112-19	Screw, IHWH T/C Slot 1/4-20x1/2
24	1	112-97	HHCS M6x1,0x25mm Zn
25	1	953-67	Shaft, PTO - XTD
26	5	112-179	SHCS M10x1,25x40 (12.9) PL
27	1	952-168	Bracket, ECM XT
28	2	112-225	RHMS, 10-24 x 2.0
29	2	120-04	Washer .19x.50x.08
30	2	117-10	Locknut, 10-24 N/I Zn
31	1	ED0021751240-S	Filter, Air
32	1	ED0021752880-S	Filter, Fuel
33	4	108-15	Washer .42x.81x.05
34	2	112-133	HHCS M10x1,5x35mm
35	1	ED0021752850-S	Filter, Oil
36	1	ED0037004560-S	Air Cleaner
37	1	953-77	Mount, Air Filter - XTD
38	4	112-115	Locknut, Nylon M6x1
39	1	112-98	HHCS M6 x 1 x 40mm
40	2	848-194	Hose, Intake Flex 2"Dia x 24"
41	3	100-128	Clamp, Gear 2.25"
42	1	953-75	Mount, Fuel Filter - XTD
43	2	117-60	Locknut, Nyloc
44	2	112-248	HHCS M12x1,75x35mm
45	1	612-136	Cable Asm., Throttle, XTD
46	1	ED0058301190-S	Clamp,Cable



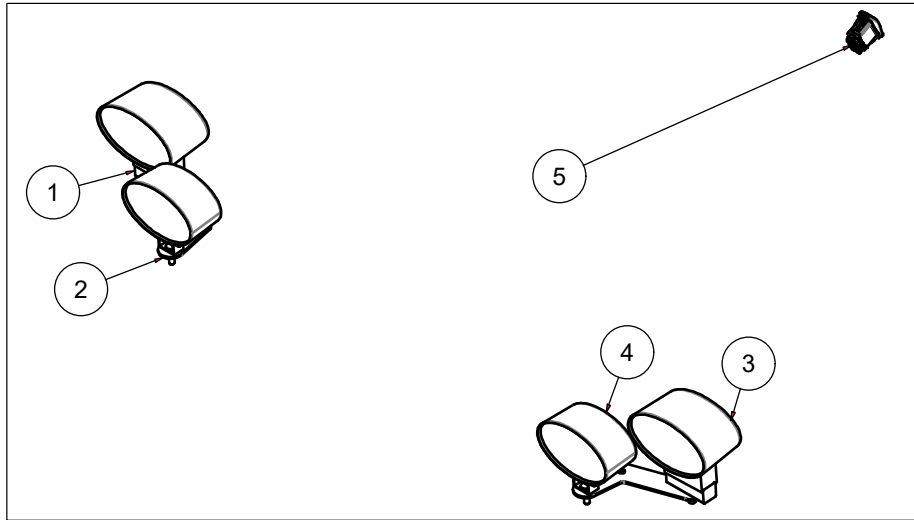
* Outfitter trim package also includes the following Argo accessories:
 622-145 Winch Kit
 958-165 Brush Guard
 958-71 Bilge Pump
 850-228-1 Chain Oiler

Ref.	Qty.	Part #	Description	Ref.	Qty.	Part #	Description
1	1	958-275	Acc, Outfitter Lighting includes:	58	8	112-218	HHCS Washer HD M6x1,0x30mm Zn
2	2	958-273	Bracket, Headlight, XT	59	2	126-102	Bumper, Recessed Hole
3	2	613-234	Light, Cree Led Fog, 20W	60	2	103-48	T/S Pan Hd Phil #10x5/8 A Blk
4	2	613-235	Light, Led Work, 24W				
5	2	958-270	Plastic, Headlight Spacer, Outftr	70	1	958-222HDW	Acc. Hood Rack, XT Hardware
6	1	613-77	Switch, Light	71	2	958-268	Wldt, Hood Rack Mount-Rear
7	1	613-258	Wire, Fog Light Acc.	72	2	958-269	Wldt, Hood Rack Mount-Front
8	9	112-139	OHPS T/S #4x5/8 Black Zn	73	4	127-132	Grommet, Rubber - 1/2" ID
10	1	720-07	Seat Group, Outfitter - Conquest includes:	74	4	120-13	Rivet, 3/16" x 3/4", Open
11	1	608-88CF	Seat Asm, Bench, CF	75	4	100-16	Clip, Hitch Pin 1.625 Zn
12	2	608-81	Hinge, Seat, Bolted	76	4	104-80	Lanyard, 6" Loop, W/Tab
13	2	104-43	Dowel Pin, 3/16x1-1/8" SS	77	8	112-176	HHCS M6x1,0x30mm Zn
14	4	120-31	Rivet, 3/16" x 1/4", Open End	78	2	126-102	Bumper, Recessed Hole
15	38	108-08	Washer .28x.62x.07 Zn	79	2	103-48	T/S Pan Hd Phil #10x5/8 A
16	38	108-03	Lockwasher 1/4 Split Ring Zn	80	2	638-08	Hull Fitting 3/4" *Bilge Pump
17	4	112-04	HHCS 1/4-20x3/4 Gr2 Zn	81	2	958-266	Nameplate, Argo Outfitter
18	1	850-415	Seat, Frnt Backrest, Deluxe	82	1	613-258	Wire, Fog Light Acc
19	4	112-115	Locknut, Nylon M6x1 Zn				
20	1	958-337	Frame, Conquest Backrest - Deluxe				
21	1	958-257	LH Rear Seat Frame, Outfitter				
22	1	958-263	RH Rear Seat Frame, Outfitter				
23	4	112-299	HHCS, M6x1x50mm				
24	1	850-419	Seat, R Rear Bench, Outfitter, CF				
25	1	850-418	Seat, L Rear Bench, Outfitter, CF				
26	1	850-417	Seat, R Rear Backrest, Outftr, CF				
27	1	850-416	Seat, L Rear Backrest, Outftr, CF				
28	16	112-97	Hex-head Bolt M6x25				
29	16	117-79	Insert, M6x1,0 -10mm OD				
30	14	112-297	HHCS 1/4-20x1.0 Full Thread				
31	4	108-01	Washer, Fender 1/4 BSx1.25OD				
32	4	103-08	HHCS 1/4-20x1.0 Gr5 Zn				
40	1	958-240	Acc Rear Step, XT includes:				
41	1	958-243	Wldt, Rear Step, XT				
42	1	104-13	Pin, Top Link				
43	1	104-11	CLP-580 Pin Lynch Locking-Ring-Clik Pins				
50	1	958-222	Hood Rack, XT includes:				
51	1	958-223	Wldt, Hood Rack, XT				
52	2	958-268	Wldt, Hood Rack Mount - Rear				
53	2	958-269	XT Outftr Hood Rack Mount Front				
54	4	104-80	Lanyard, 6" Loop, W/Tab				
55	4	127-132	Grommet, Rubber - 1/2" ID				
56	4	100-16	Clip, Hitch Pin 1.625 Zn				
57	4	120-13	Rivet - 3/16 x 3/4 Black				

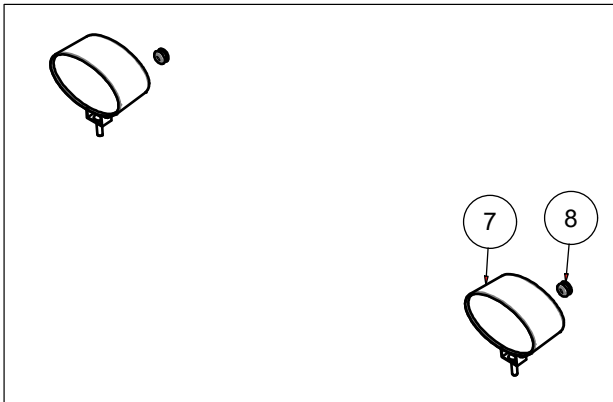


Ref.	Qty.	Part #	Description	Ref.	Qty.	Part #	Description
1	1	958-300	Acc, Rear Rack, XT includes:	69	4	112-120	HHCS M10x1,5x80mm Zn
2	1	958-302	Wldt, Rear Rack, XT	70	4	120-13	Rivet - 3/16 x 3/4 Black
3	1	958-303	Wldt, Rack Rail, XT	71	4	120-05	Washer .19x.50x.04 Zn
4	4	958-321	Rod, Rear Rack, Lineman	72	18	103-73	THMS, Phil 1/4-20x.75 Zn
5	5	958-281	Tool Box, Lineman	73	18	108-08	Washer .28x.62x.07 Zn
6	1	958-300HDW	Acc, Rear Rack Hardware	74	18	117-27	Locknut, Nylon 1/4-20 Zn
7	3	104-70	Pin, 3/8", Weld-In, Spring LD	75	1	126-120	Bumper, Rubber, 1" x 1"
8	2	104-86	Pin, Quick Release 3/8 x .5 W/Lanyard	80	1	958-316*	Acc, Lighting, Lineman includes:
9	2	104-45	Pin, Safety, 3/8x2-1/4	81	1	958-323	Brkt, Whip Light, Lineman
10	2	104-29	Pin, Cotter 1/16x3/4 Zn	82	1	613-256	Led Caution Whip
11	2	104-28	Pin, Clevis 1/4 x .780" Zn	83	2	613-247	Light, Led Headlight, XT
12	4	808-151	Loop, Footman 2" Zn	84	1	613-248	Light, Spot, Lineman
13	1	850-304	Restraint, Two 5ft Cot Straps	85	1	613-90	Outlet, 12 Volt Dc
14	10	120-13	Rivet - 3/16 x 3/4 Black	86	1	613-268	Light, Strobe, Amber
15	10	120-04	Washer .19x.50x.08 Zn	87	1	613-275	Strobe, Light Guard
20	1	958-322	Acc, Rear Screen, Lineman includes:	88	1	613-257	Wire Harness, Lights, Lineman
21	1	958-310	Wldt, Rear Screen, Lineman	89	1	958-316HDW	Acc, Lighting, Lineman, Hardware
22	1	958-322HDW	Wldt, Rear Screen, Hardware	90	3	112-139	OHPS T/S #4x5/8 Black Zn
23	4	108-15	Washer .42x.81x.05 Zn	91	3	103-25	PHMS 10-24x3/4 Zn
24	2	117-60	Locknut, Nyloc M10x1.5mm Zn8	92	3	120-04	Washer .19x.50x.08 Zn
25	2	112-93	HHCS M10x1,5x25mm	93	3	117-10	Locknut, 10-24 N/I Zn
26	4	127-276	Clamp, Loop, 2 1/4"-XT	100	1	958-320*	Acc, Capstan Winch, Lineman includes:
27	4	126-120	Bumper, Rubber, 1" x 1"	101	1	958-276	Winch Acc, Capstan, Lineman
28	8	108-08	Washer .28x.62x.07 Zn	102	1	958-277	Winch Acc, Support, Capstan
29	4	112-98	HHCS M6x1x40mm Zn	103	1	958-286	Wldt, Capstan Receiver, XT
30	4	112-115	Locknut, Nylon M6x1 Zn	110	1	622-135	Acc, Rear Receiver Winch includes:
40	1	958-318	Acc, Stretcher, Lineman includes:	111	1	622-134	Receiver, Rear Winch XT
41	1	958-294	Stretcher Tray, XT	112	2	622-116	Wire Harness, Rec'r Winch - Warn
42	1	958-279	Stretcher, Ferno	112.1	1	118-72	Connector Housing, Anderson
43	1	958-280	Stretcher, Bag, Ferno	113	2	125-84	Grommet, Rubber
44	1	958-318HDW	Acc, Stretcher, Lineman, Hardware	114	2	112-126	HHCS M3x0,5x30 Cl 8.8 Zn
45	4	108-03	Lockwasher 1/4 Split Ring Zn	115	2	117-78	Locknut, Nylon M3x 0.5" Zn
46	4	112-297	HHCS 1/4-20x1.0 Full Thread	116	2	613-46	Insulator, Terminal (2 Ga.)
47	8	108-08	Washer .28x.62x.07 Zn	117	4	127-287	Clamp, Nylon, 3/4 ID
48	4	112-04	HHCS 1/4-20x3/4 Gr5 Zn	118	4	120-04	Washer .19x.50x.08 Zn
49	4	117-27	Locknut, Nylon 1/4-20 Zn	119	4	120-09	Rivet - 3/16 x 1.0 Black
50	1	958-319	Acc, Vice, Lineman includes:	120	1	958-90	Acc, Windshield - XT includes:
51	1	958-291	Wldt, Lineman Hitch Receiver	121	4	127-240	Clamp, 2.0" Loop - Rubber Cush
52	1	958-278	Vise, Wilton, Lineman	122	4	112-222	FHCS 10-24x1.75-Black
53	1	958-319HDW	Acc, Vice, Lineman, Hardware	123	4	117-10	Locknut, 10-24 N/I Zn
54	2	117-70	Insert, M10x1.5-13.5mm OD	124	4	958-94	Spacer, Windshield - XT
55	2	108-67	Lockwasher M10 Split-Ring Zn	XT-L Trim Package also includes the following standard Argo accessories: 622-145 Winch Kit 956-15 Two Person Rops 958-322 Mesh-Rops 850-28-1 Chain Oiler 958-165 Brush Guard 958-71 Bilge Pump 613-247 LED Headlight * Available but not included.			
56	6	108-15	Washer .42x.81x.05 Zn				
57	4	112-133	HHCS M10x1,5x35mmZn-8.8				
58	2	117-60	Locknut, Nyloc M10x1.5mm Zn				
60	1	958-317	Acc, Roof, Lineman Includes:				
61	1	958-282	Roof, Clear View, Lineman				
62	2	958-293	Brkt, Roof Support, XT				
63	1	958-107	Brkt, Rr Mnt - TTN Hard Top				
64	1	958-106	Brkt, Fr Mnt - TTN Hard Top				
65	2	127-01	Reflector, Red				
66	1	958-317HDW	Acc, Roof, Lineman, Hardware				
67	4	117-60	Locknut, Nyloc M10x1.5mm Zn8				
68	8	108-101	Washer, 0.41x0.79x0.08, Zn				

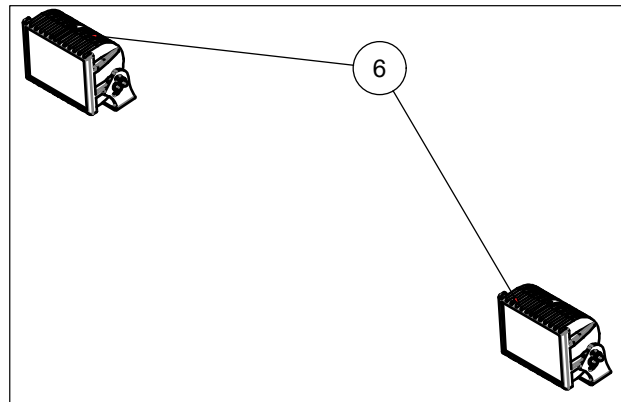
ENGLISH LABELS			
Ref.	Qty.	Part #	Description
1	1	126-68	Plate, Operation
2	1	129-08	Plate, Pin - Blank
3	1	127-144	Label, Warning Hot
4	1	126-69	Plate, Fuel
5	1	126-67	Plate, Floor Pan
6	1	127-299	Label, Fuse Panel, XT
7	1	129-09	Plate, Capacity - Blank
8	1	129-01	Plate, Geared By ODG
9	1	127-236	Label, Ignition - TTN
FRENCH LABELS			
Ref.	Qty.	Part #	Description
10	1	126-68FR	Plate, Operation - French
11	1	129-08	Plate, Pin - Blank
12	1	127-144FR	Label, Warning Hot - French
13	1	126-69FR	Plate, Fuel - French
14	1	126-67FR	Plate, Floor Pan - French
15	1	127-299	Label, Fuse Panel, XT
16	1	129-09	Plate, Capacity - Blank
17	1	129-01	Plate, Geared By ODG
18	1	127-236FR	Label, Ignition - TTN FR
RUSSIAN LABELS			
Ref.	Qty.	Part #	Description
19	1	126-68RU	Plate, Operation - Russian
20	1	129-08	Plate, Pin - Blank
21	1	127-144RU	Label, Warning Hot - Russian
22	1	126-69RU	Plate, Fuel - Russian
23	1	126-67RU	Plate, Floor Pan - Russian
24	1	127-299	Label, Fuse Panel, XT
25	1	129-09RU	Plate, Capacity - Blank - SP
26	1	129-01	Plate, Geared BY ODG
27	1	127-236RU	Label, Ignition - TTN



LIGHTING GROUP, LED - DUAL BEAM



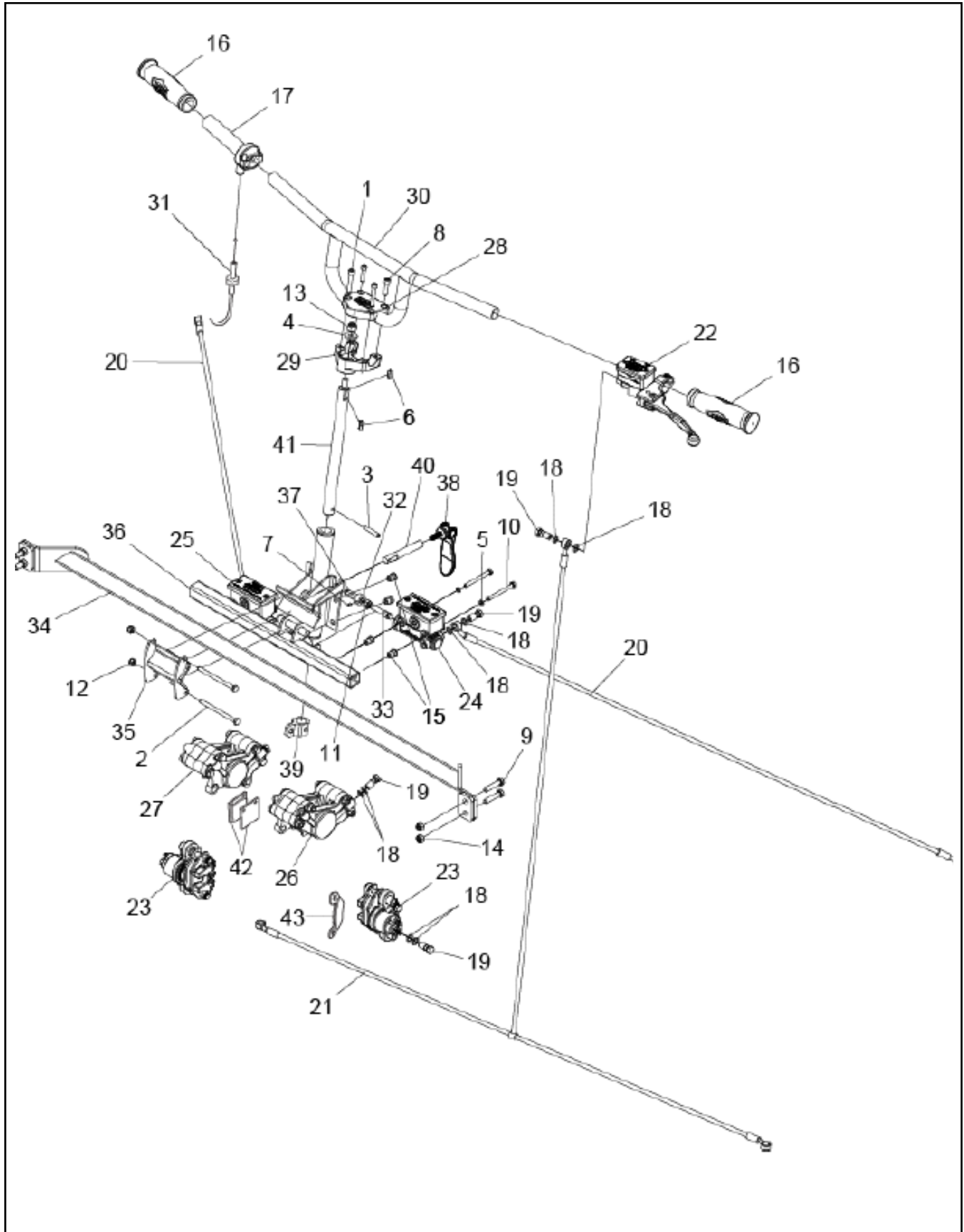
LIGHTING GROUP, CONQUEST XT



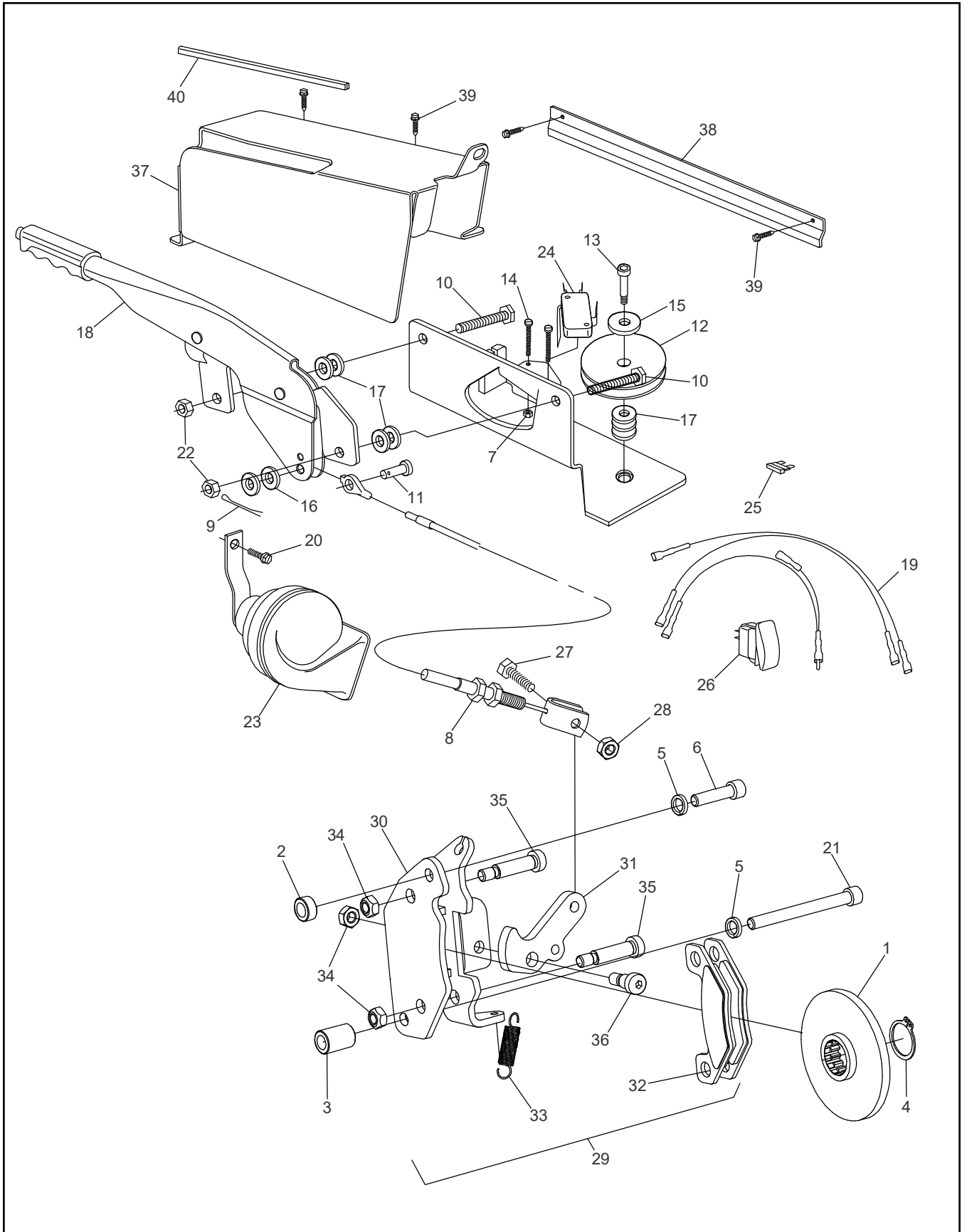
LIGHTING GROUP, LED

Lighting Groups Configurations Parts Table

Ref.	Qty. (XT)	Qty. (Dual Beam)	LED	Part #	Description
1	0	2	0	958-270	Plastic, Headlight Spacer, Outftr
2	0	2	0	958-273	Bracket, Headlight, XT
3	0	2	0	613-234	Light, Cree Led Fog, 20W
4	0	2	0	613-235	Light, Led Work, 24W
5	0	1	0	613-77	Switch, Light
6	0	0	2	613-247	Light, Led Headlight, XT
7	2	0	0	613-175	Headlight, 12V Bot Mnt - XT
8	2	0	0	125-84	Grommet, Rubber

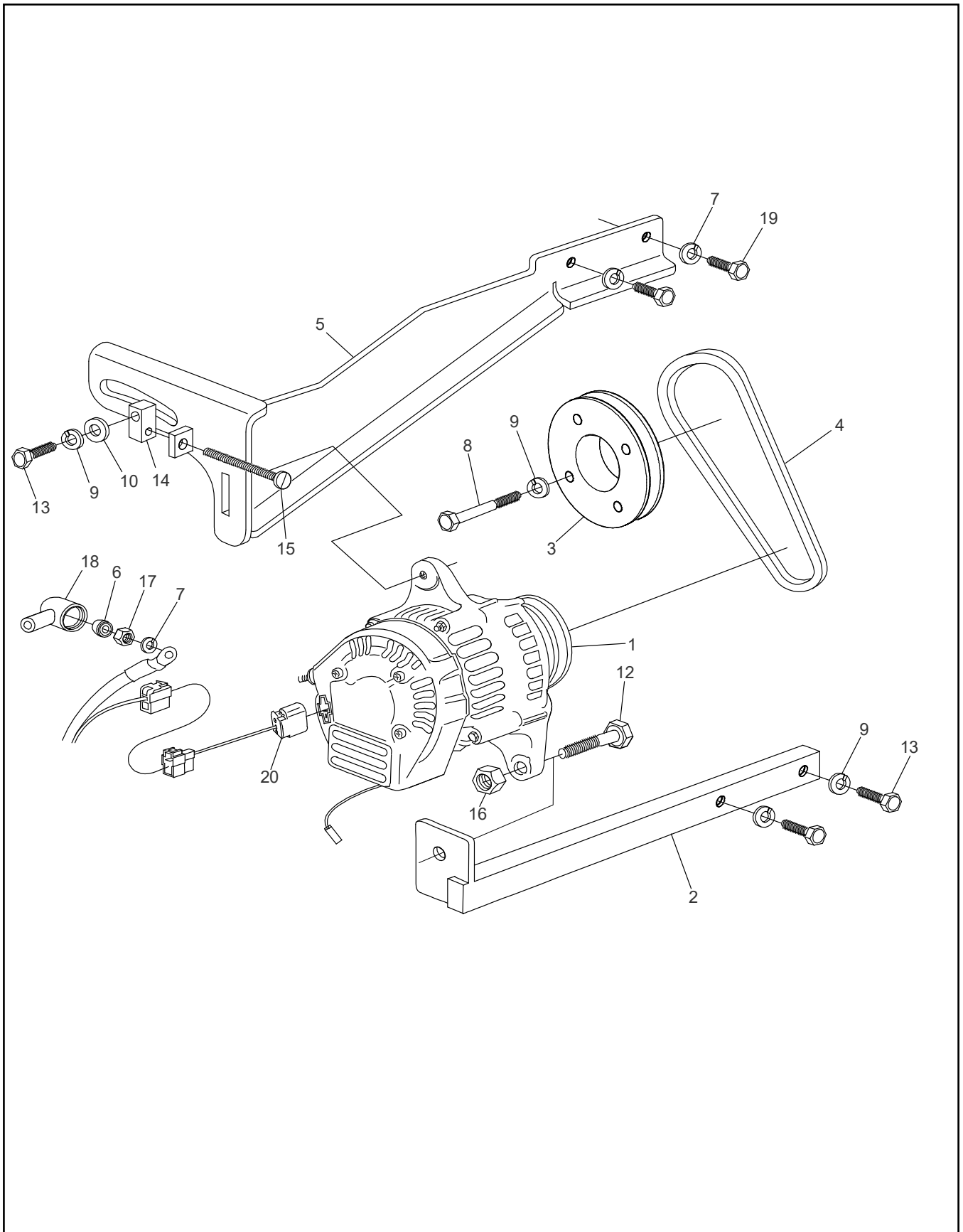


Ref.	Qty.	Part #	Description
1	2	103-69	SHCS 1/4-20x1.5 Zn
2	2	103-111	HHCS 1/4-20X3.5 Zn
3	1	104-42	Pin, Spring 1/4x1.5"
4	1	108-47	Washer
5	4	108-68	Lockwasher, Hi-Collar M6 Zn
6	2	110-17	Key, 3/16 x 3/16 x .625
7	2	112-02	SHSS 10-24x1/4 Knurl, Bare
8	2	112-47	SHCS 1/4-20x1.0 Zn
9	4	112-63	HHCS M8x1,25x35mm Gr5 Zn
10	4	112-114	HHCS M6x1x60mm Zn
11	2	117-03	Nut, Fin Hex 5/16-18 Zn
12	2	117-27	Locknut, Nylon 1/4-20 Zn
13	1	117-29	Locknut, Nylon 3/8-16 Zn
14	4	117-77	Locknut, Nylon - M8x1,25mm Zn8
15	8	117-79	Insert, M6x1,0 -10mm OD
16	2	127-35	Grip, Molded Rubber
17	1	127-81	Hand Twist Throttle
18	14	160-01	Washer, Copper - 1,5x10,0x14,0
19	7	160-44	Bolt, Banjo M10x1.0x22.0
20	2	163-07	Hose Asm, Steering, TTN
21	1	163-08	Hose Asm, Service Brake, TTN
22	1	165-31	Handbrake, Left Hydraulic Asm
23	2	165-32	Caliper, Service
24	1	165-57	Master Cylinder, LH Wilwood
25	1	165-58	Master Cylinder, RH Wilwood
26	1	166-12	Caliper, Hyd Brake-L
27	1	166-13	Caliper, Hyd Brake-R
28	1	612-105RM	Clamp, Upper Handlebar-RM
29	1	612-106	Clamp, Lower Handlebar
30	1	612-107	Handlebar Asm
31	1	612-135	Cable Asm., Throttle
32	2	812-17	Collar
33	2	812-31	Pin, Male - 5/16-18 UNC
34	1	950-10	Wldt, Steering Bar
35	1	950-11	Wldt, Steering Bracket
36	1	950-50	Steering Wldt - XT
37	2	953-02	Pin, Female, Steering
38	1	953-03	Handle, Quick Cam
39	1	953-06	Actuator, Steering
40	1	953-07	Nut, Toggle
41	1	953-10	Shaft, Steering, TTN
42	1	170-03	Pad Set (4) Brake - Non-Asbestos
43	1	165-36	Brake Pad (4) Replacement Kit



Ref.	Qty.	Part #	Description
1	1	165-52	Rotor, E-Brake
2	1	165-49	Spacer, ID.39 x OD.63 x .295
3	1	165-48	Spacer, ID.39 x OD.63 x .90
4	1	106-29	Retaining Ring SH-0093-PA
5	2	108-05	Lockwasher 5/16 Split-Ring
6	1	112-143	SHCS 5/16 x 1.25 Zn
7	2	112-173	Locknut, #5-40, Zn
8	1	850-81	Cable, Parking Brake
9	1	100-100	Pin, Cotter 1/8x3/4 Zn
10	2	103-06	HHCS 5/16-18x1.0 Gr5 Zn
11	1	104-27	Pin, Clevis 5/16x.75" Zn
12	1	850-79	Pulley, Parking Brake Cable
13	1	112-178	Bolt, Shoulder, 1/2 x 5/8
14	2	112-172	SHCS 5-40 x 3/4 Zn
15	1	108-35	Washer .53 x 1.06 x .09 Zn
16	2	108-24	Washer .34x.70x.06 Zn
17	7	108-47	Washer .39x.94x.13 Zn Di-Chro
18	1	809-147	Lever, Parking Brake
19	1	848-176	Harness, Horn Momentary*
20	1	112-19	Screw,IHWH T/C Slot 1/4-20x1/2*
21	1	112-228	SHCS 5/16-18 x 3.25 Zn
22	2	117-21	Locknut, Nylon 5/16-18 Zn
23	1	848-87	Horn, Electric*
24	1	613-120	Switch, Micro, Lever
25	1	118-52	Fuse, 10A 2-Prong (AT010)*
26	1	848-175	Switch, Horn Momentary*
27	1	103-08	HHCS 1/4-20 x 1.0 Zn
28	1	117-27	Locknut, Nylon 1/4-20 Zn
29	1	165-50	Caliper, Parking Brake, Ass'y(incl. Ref. #'s 30-36)
30	1	165-44	Caliper, Wldt Parking Brake
31	1	165-51	Cam, Caliper, Park Brake
32	1	165-36	Brake Pad Replacement Kit
33	1	127-280	Spring, Extension 3/8" x 1.75"
34	3	117-25	Nut, Conelock 5/16-18
35	2	112-224	Bolt, Shoulder 3/8 x 1.25
36	1	112-223	Bolt, Shoulder 3/8 x 0.38
37	1	952-85	Guard, P-Brake - XT
38	1	953-42	Cover, Brake Cable, XT
39	4	112-102	Screw, Self Drill 12-14 x 3/4"
40	14"	953-96RM	Trim, Neoprene W/Glue

* If Equipped



Ref.	Qty.	Part #	Description
1	1	958-167	Acc., Alternator Ass'y 60A XTI
2	1	850-191	Bracket Assy, Altr Engine Lower
3	1	850-59	Pulley, V-Belt
4	1	850-45	V-Belt, 3/8" x 19"
5	1	850-234	Bracket Ass'y, Altr. Upper 60A XTI
6	1	117-94	Pushnut, 5/32" Shaft
7	3	108-03	Lockwasher 1/4" Split Ring Zn
8	4	112-167	HHCS M8 x 1,25 x 80 mm Zn
9	7	108-05	Lockwasher 5/16" Split Ring
10	1	108-24	Flat Washer .34 x .70 x .06 Zn
12	1	112-22	HHCS M10 x 1,50 x 50mm Zn
13	3	112-63	HHCS M8 x 1.25 x 35mm Gr5 Zn
14	1	850-52	Block, Adjuster
15	1	112-65	RHMS 1/4 - 20 x 3" Phil Zn
16	1	117-60	Locknut, Nyloc M10x1.5mm Zn8
17	1	117-63	Nut, Hex M6 x 1.0 Zn
18	1	613-45	Insulator, Terminal (6ga.)
19	2	112-97	HHCS M6 x 1,0 x 25mm Zn
20	1	613-222	Wire Harness, Alt 60A XTI

ARGO Products Manufactured by:

Ontario Drive & Gear Limited

220 Bergey Court

New Hamburg, Ontario

Canada N3A 2J5

Phone: (519) 662-2840

Fax: (519) 662-2421

www.argoxtv.com

ODG *Dedicated to quality and performance*