



ACCESSORIES MANUAL

2019 AURORA

Ontario Drive & Gear Limited
220 Bergey Court
New Hamburg, Ontario N3A 2J5
(519) 662-2840
www.ARGOxtv.com



FOREWORD

ODG has prepared this Argo Accessory Manual to assist Argo retailers in selecting the correct replacement parts for Argo accessories or for choosing new accessories.

All information contained in this Accessory Manual is based on the latest product specification available at time of printing. Product update information and new accessory kit information will be provided as it becomes available. This information will be provided in the form of insertion or replacement pages to be inserted in this manual.

ODG reserves the right to alter specifications of any of the accessory items at any time, without obligation or prior notification.

Reproduction of this Accessory Manual in part or in whole, is prohibited without prior written permission from Ontario Drive & Gear Limited.

Explanation of Argo Accessories Guide

There is an Argo 2019 Accessory Guide chart available at the front of this manual. Look up your specific vehicle model name at the top of the list table (ie: Aurora 800 SX) and follow the column list directly below for the accessory part numbers that apply specifically to your vehicle. Part numbers in brackets indicate the accessory was factory installed with your specific model.

(Note: Serial No. is the last 5 digits of the V.I.N. or Vehicle Identification Number)

Explanation of Manual Format

- Ref** - reference number given on the parts drawing to identify the component
- Part No.** - Argo replacement part number for identification and ordering
- Description** - part description for identification and ordering
- Qty** - indicates the quantity of a part number used in the accessory kit



2019 ACCESSORIES GUIDE – AURORA

Aurora 8X8

Aurora 800

Aurora 800 SX

Aurora 800 SX
Hunt Master

Aurora 800
Limited

Aurora 950 SX

COMFORT

| | | | | | |
|-----------------|----------|----------|----------|----------|----------|
| Rear Bench Seat | (10414C) | (10414C) | (10414C) | (10414C) | (10414C) |
|-----------------|----------|----------|----------|----------|----------|

CONVENIENCE

| | | | | | |
|--------------------------------------|--|--------------|--------------|--------------|--------------|
| Alternator | (10634C) | (10634C) | (10634C) | (10634C) | N/A |
| Auto Chain Lubrication System-1 Hr. | 850-213HD8-1 | 850-213HD8-1 | 850-213HD8-1 | 850-213HD8-1 | 850-213HD8-1 |
| Auto Chain Lubrication System-15 min | 850-213HD8 | 850-213HD8 | 850-213HD8 | 850-213HD8 | 850-213HD8 |
| Cargo Tie Down Rings | 614-06 | 614-06 | 614-06 | 614-06 | 614-06 |
| Entry Step | 848-173 | 848-173 | (848-173) | 848-173 | (848-173) |
| Gas Can Carrier Kit | 867-01 | 867-01 | 867-01 | 867-01 | 867-01 |
| Outboard Motor Bracket | 617-10 | 617-10 | 617-10 | 617-10 | 617-10 |
| Remote Control (Winch) | 622-137 | 622-137 | 622-137 | 622-137 | 622-137 |
| Snow Plow | 657-21 | 657-21 | 657-21 | 657-21 | 657-21 |
| Spare Tire Carrier | 868-01 | 868-01 | 868-01 | 868-01 | 868-01 |
| Stereo-LX | 848-248 | 848-248 | 848-248 | 848-248 | 848-248 |
| Tow Hook | 642-00 | 642-00 | 642-00 | 642-00 | 642-00 |
| Trailer (Amphibious) | (Consult an authorized Argo Sales Representative for more info.) | | | | |
| Universal Mounting System | 959-10 | 959-10 | 959-10 | 959-10 | 959-10 |
| Utility Bracket | 821-25 | 821-25 | 821-25 | 821-25 | 821-25 |
| Utility Rack | 821-35 | 821-35 | 821-35 | 821-35 | 821-35 |
| Winch, Pro Advantage 3500, Warn | 622-138 | (622-138) | (622-138) | (622-138) | (622-138) |

PROTECTION

| | | | | | |
|---------------------------|----------|----------|----------|----------|----------|
| Bilge Pump | (10652C) | (10652C) | (10652C) | (10652C) | (10652C) |
| Brush Guard | 10635C | (10635C) | (10635C) | (10635C) | (10635C) |
| Hood Fan Acc. | 10754C | 10754C | 10754C | 10754C | (10754C) |
| Mud Flaps | 625-10 | 625-10 | 625-10 | 625-10 | 625-10 |
| Reverse Back-up Alarm Kit | 850-99 | 850-99 | 850-99 | 850-99 | 850-99 |
| Skid Plate | incl. | incl. | incl. | incl. | incl. |

TRACKS

| | | | | | |
|---------------------------|------------------------------------|--------------------------------|------------------------------------|--------------------------------|------------------------------------|
| 18 (457 mm) Rubber Tracks | 825-50-1-NE 825-50-1-NE- ASM | 825-50-1-NE 825-50-1-NE-ASM | 825-50-1-NE 825-50-1-NE- ASM | 825-50-1-NE 825-50-1-NE-ASM | 825-50-1-NE 825-50-1-NE- ASM |
| Rubber Track Ice Cleats | 825-21 | 825-21 | 825-21 | 825-21 | 825-21 |

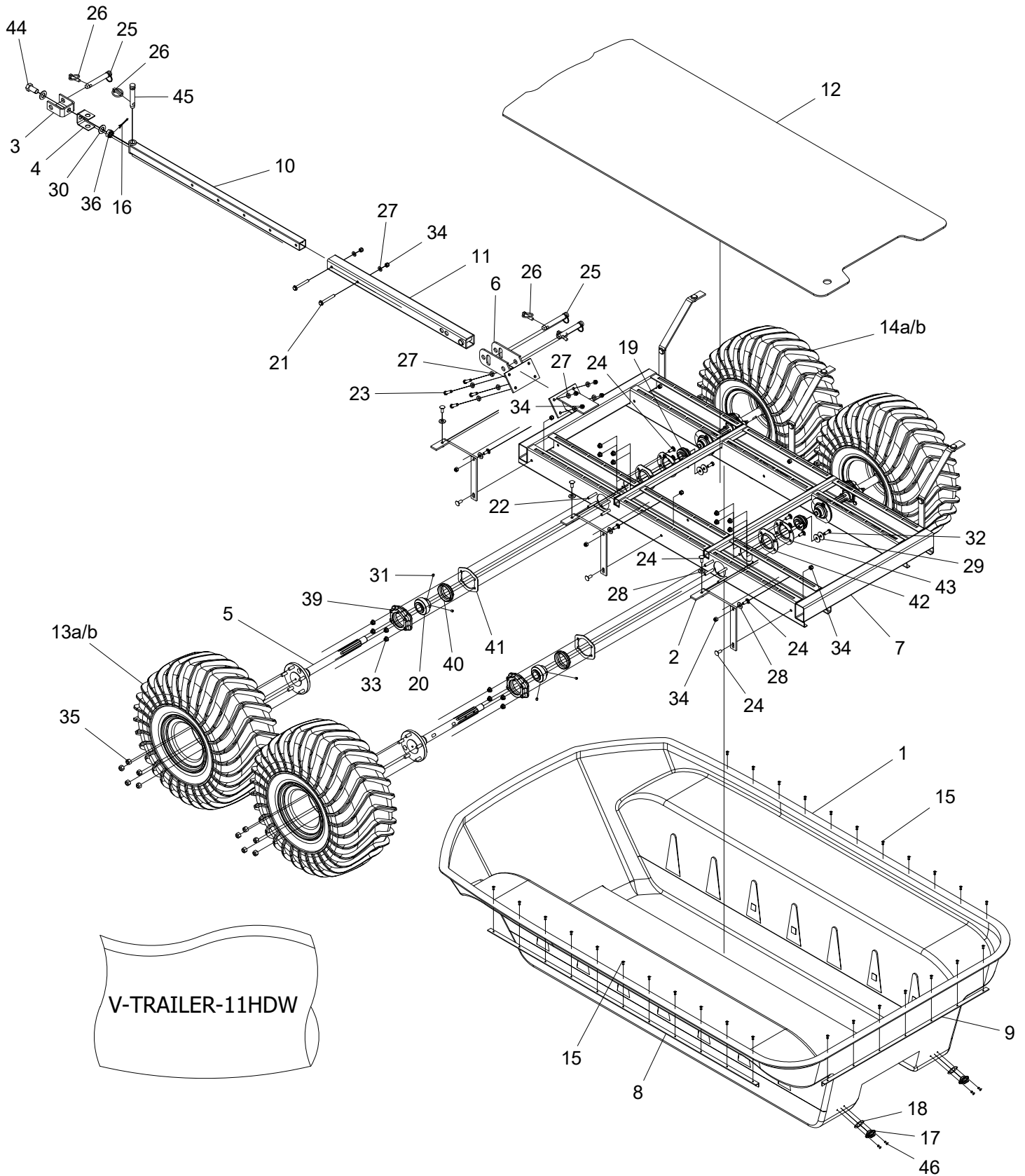


INDEX

4 Wheel Trailer (Amphibious)
8 Wheel Trailer (Amphibious)
614-06 Cargo Tie Down Rings
615-10 Tire Chains (1 Pair)
617-10 Outboard Motor Bracket - Side Mount
619-10 Tire Gauge (0-15 PSI)
622-138 Winch, Pro Advantage 3500, Warn
625-10 Rear Mud Flaps
632-15 Hourmeter
633-10 Voltmeter
638-02 Oil Change Pump
642-00 Tow Hook
657-21 Snowplow
815-42K Standard Tracks
821-25 Utility Bracket
821-35 Utility Rack
821-40 Storage Cover
825-20 Ice Cleats, Super Track
825-21 Ice Cleats, Rubber Track
825-42K Super Tracks
825-50-1 & 825-50-1-NE Rubber Tracks (8x8)
825-55-1 Rubber Track Hinge
48-173 Entry Step
848-243 12V/USB Outlet Acc.
850-99 Backup Alarm
850-101 Basket Mount, SAR
850-213FR8/FR8-1 Chain Oil Lube System
850-213HD8/HD8-1 Chain Oil Lube System
850-242 Battery Shut Off Switch
850-300 Stretcher Frame Assembly
850-306 Backrest - SAR
867-01 Gas Can Holder
868-01 Spare Tire Carrier
959-10 Universal Mount
959-15 Universal Mount - Trailer
10634C Alternator Acc.
10635C Brush Guard
10636C Acc, Trailer Cover - 8x8
10652C Bilge Pump Acc.
10658C Chassis, 8x8 - ROPS
10754C Hood Fan Acc.



4 WHEEL TRAILER (Amphibious)



(Cont'd Next Page)



(4 WHEEL TRAILER Cont'd)

| Ref. | Qty | Part # | Description |
|------|-----|----------|-------------------------------------|
| 1 | 1 | 603-99 | BODY, LOWER - FRONTIER |
| 2 | 6 | 695-16 | SUPPORT, BODY |
| 3 | 1 | 695-64 | BRACKET, HITCH |
| 4 | 1 | 695-71 | BRACKET, TONGUE |
| 5 | 4 | 810-129 | AXLE ASM, 1.25 DIA - 6 TOOTH SPLINE |
| 6 | 1 | 695-83 | HITCH ASM, TRAILER |
| 7 | 1 | 695-88 | FRAME ASM, TRAILER |
| 8 | 2 | 695-90 | BRACKET, SIDE |
| 9 | 1 | 695-91 | BRACKET, REAR |
| 10 | 1 | 695-93 | TONGUE ASM |
| 11 | 1 | 695-96 | TUBE ASM, HITCH |
| 12 | 1 | 695-67 | FLOOR PAN, TRAILER |
| * | 13a | 127-182L | TIRE, ARGO 25 & RIM LH ASSY |
| * | 13b | 127-181L | TIRE+RIM ASSY, HEAT, LEFT-AT190 |
| * | 14a | 127-182R | TIRE, ARGO 25 & RIM RH ASSY |
| * | 14b | 127-180R | TIRE+RIM ASSY, HEAT, RIGHT-AT190 |
| | 15 | 29 | 120-13 RIVET - 3/16 x 3/4 BLACK |

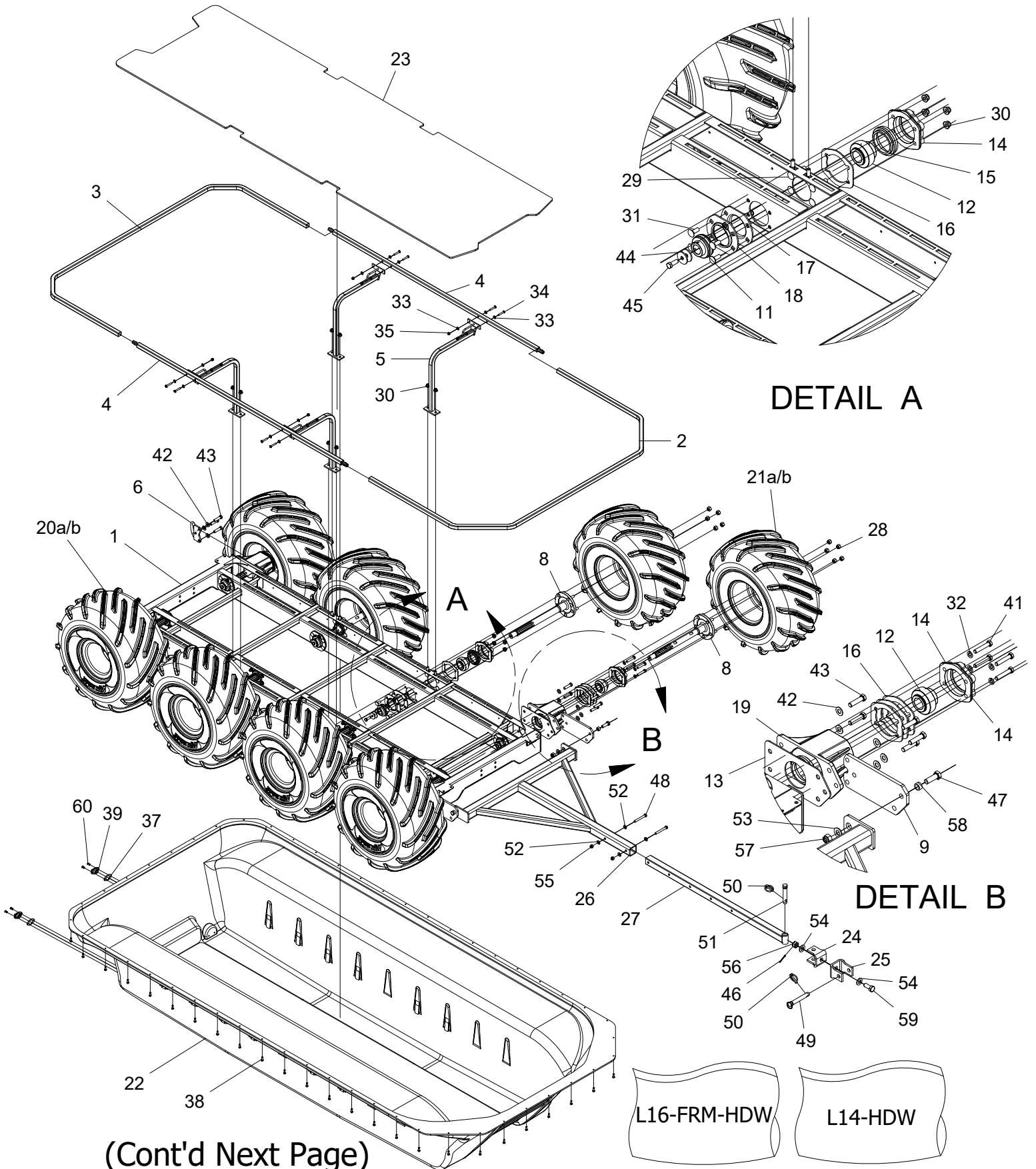
V-TRAILER-11HDW (Hardware, Trailer Kit)

| Ref. | Qty | Part # | Description |
|------|-----|-----------|--------------------------------|
| 16 | 1 | 100-01 | PIN, COTTER 1/8x1.50 ZINC |
| 17 | 2 | 100-107 | PLUG, DRAIN-FLANGED |
| 18 | 2 | 100-114 | GASKET, DRAIN PLUG |
| 19 | 4 | 101-41 | BEARING, BALL- 1.0 |
| 20 | 4 | 101-95 | BEARING, BALL -1.25 x 72mm |
| 21 | 2 | 103-53 | HHCS 3/8-16x3.0 GR 5 FULL THD |
| 22 | 16 | 103-68 | HHCS 3/8-16x2.0 GR5 ZINC |
| 23 | 4 | 103-82 | HHCS 3/8-16x1.5 GR5 ZINC |
| 24 | 34 | 103-88 | C/BOLT 3/8-16x1.0 GR5 ZINC |
| 25 | 3 | 104-10 | PIN, TOPLINK - 3/4 x 3.75 |
| 26 | 4 | 104-11 | PIN, LYNCH - RING |
| 27 | 12 | 108-15 | WASHER .42x.81x.05 ZINC |
| 28 | 12 | 108-35 | WASHER .53x1.06x.09 ZINC |
| 29 | 8 | 108-46 | WASHER .40x1.37x.12 HI-CARBON |
| 30 | 2 | 108-53 | WASHER .81x1.5x.12 ZINC |
| 31 | 8 | 112-200 | SHSS 5/16-24x5/16 FLAT PT |
| 32 | 4 | 112-31 | HHCS 3/8-16x1.0 2B GR8 ZINC |
| 33 | 32 | 117-118 | LOCKNUT, NYLON 3/8-16, FLANGED |
| 34 | 24 | 117-29 | LOCKNUT, NYLON 3/8-16 ZINC |
| 35 | 20 | 117-35 | NUT, WHEEL 7/16-20 ZINC |
| 36 | 1 | 117-37 | NUT, HEX SLOTTED 3/4-10 ZINC |
| 37 | 4 | 120-04 | WASHER .19x.50x.08 ZINC |
| 38 | 4 | 120-09 | RIVET - 3/16 x 1.0 BLACK |
| 39 | 4 | 606-88 | FLANGE ASY, OUTER BEARING |
| 40 | 4 | 606-89 | CARRIER, AXLE BEARING |
| 41 | 4 | 606-90 | GASKET, FLANGE -72 mm BRG |
| 42 | 4 | 606-91 | FLANGE, 4-HOLE HD |
| 43 | 4 | 606-92 | FLANGE, GREASEABLE - 4-HOLE HD |
| 44 | 1 | 695-34 | BOLT, SWIVEL |
| 45 | 1 | 104-13 | PIN, TOP LINK |
| 46 | 4 | 10081A001 | RIVET, 3/16 x 0.376 - 0.500 AL |

* STANDARD TIRE STYLE IS P/N 127-182L/127-182R (SHOWN) UNLESS 127-180R/127-181L STYLE (or other) IS REQUESTED.



8 WHEEL TRAILER (Amphibious)



(Cont'd Next Page)



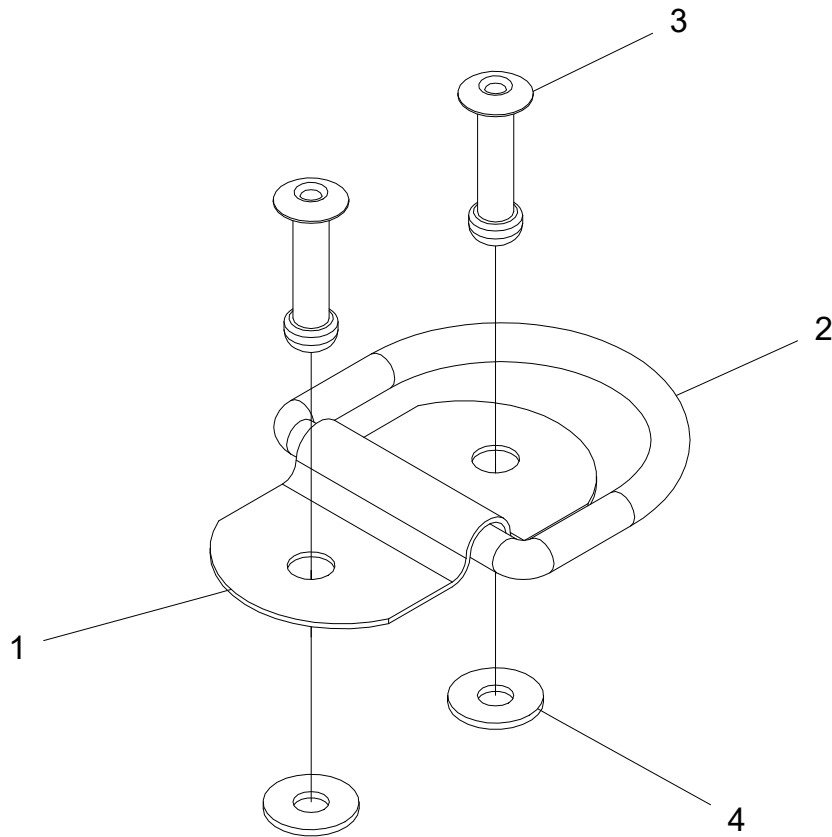
(8 WHEEL TRAILER Cont'd)

| Ref. | Qty | Part # | Description | Ref. | Qty | Part # | Description |
|-------|-----|----------|-------------------------------------|--|-----|-----------|--------------------------------|
| 1 | 1 | 695-100 | FRAME ASM, 8 WHEEL TRAILER | L16-FRM-HDW (8W Trailer Frame Hardware) | | | |
| 2 | 1 | 695-104 | FRAME, UPPER FRONT - 8W TRLR | 28 | 40 | 117-35 | NUT, WHEEL 7/16-20 ZINC |
| 3 | 1 | 695-105 | FRAME, UPPER REAR - 8W TRLR | 29 | 16 | 112-187 | C/BOLT 3/8-16x2.0 GR5 ZINC |
| 4 | 2 | 695-106 | FRAME ASM, UPPER MID - 8W TRLR | 30 | 56 | 117-118 | LOCKNUT, NYLON 3/8-16, FLANGED |
| 5 | 4 | 695-109 | SUPT ASM, INR SIDE - 8W TRLR | 31 | 40 | 103-88 | C/BOLT 3/8-16x1.0 GR5 ZINC |
| 6 | 2 | 642-47 | TIE DOWN BRACKET | 32 | 16 | 108-06 | LOCKWASHER 3/8 SPLIT-RING ZN |
| 8 | 8 | 810-129 | AXLE ASM, 1.25 DIA - 6 TOOTH SPLINE | 33 | 16 | 108-08 | WASHER .28x.62x.07 ZINC |
| 9 | 2 | 657-17 | BRACKET, SNOWPLOW MTG - AVG | 34 | 8 | 103-03 | PHMS 1/4-20x1.50 ZINC |
| 10 | 1 | 127-273 | PLATE, SERIAL BLANK DOUBLE | 35 | 8 | 117-27 | LOCKNUT, NYLON 1/4-20 ZINC |
| 11 | 8 | 101-41 | BEARING, BALL- 1.0 | 36 | 4 | 120-04 | WASHER .19x.50x.08 ZINC |
| 12 | 8 | 101-95 | BEARING, BALL -1.25 x 72mm | 37 | 2 | 100-114 | GASKET, DRAIN PLUG |
| 13 | 4 | 606-25 | GASKET, BEARING EXTENSION | 38 | 50 | 112-102 | SCREW, SELF DRILL 12-14 x 3/4" |
| 14 | 8 | 606-88 | FLANGE ASY, OUTER BEARING | 39 | 2 | 100-107 | PLUG, DRAIN-FLANGED |
| 15 | 8 | 606-89 | CARRIER, AXLE BEARING | 41 | 16 | 103-68 | HHCS 3/8-16x2.0 GR5 ZINC |
| 16 | 16 | 606-90 | GASKET, FLANGE -72 mm BRG | 42 | 20 | 108-34 | WASHER .47x.94x.06 ZINC |
| 17 | 8 | 606-91 | FLANGE, 4-HOLE HD | 43 | 20 | 112-181 | HHCS 7/16-20x1.75 GR5 ZN |
| 18 | 8 | 606-92 | FLANGE, GREASEABLE - 4-HOLE HD | 44 | 16 | 108-46 | WASHER .40x1.37x.12 HI-CARBON |
| 19 | 4 | 810-112 | EXTENSION ASY, BEARING W/ NUTS | 45 | 8 | 112-31 | HHCS 3/8-16x1.0 2B GR8 ZINC |
| * 20a | 4 | 127-180R | TIRE & RIM ASM - RIGHT | L14-HDW (8W Trailer Hardware) | | | |
| * 20b | 4 | 127-182R | TIRE, ARGO 25 & RIM RH ASSY | 46 | 1 | 100-01 | PIN, COTTER 1/8x1.50 ZINC |
| * 21a | 4 | 127-182L | TIRE, ARGO 25 & RIM LH ASSY | 47 | 2 | 103-21 | HHCS 1/2-20x1.5 GR5 ZINC |
| * 21b | 4 | 127-181L | TIRE & RIM ASM - RIGHT | 48 | 2 | 103-53 | HHCS 3/8-16x3.0 GR 5 FULL THD |
| 22 | 1 | 695-103 | BODY, 8 WHEEL TRAILER | 49 | 1 | 104-10 | PIN + RING ASM |
| 23 | 1 | 695-118 | PANEL, FLOOR - 8W TRLR | 50 | 2 | 104-11 | PIN, LYNCH - RING |
| 24 | 1 | 695-119 | BRACKET, TONGUE - THCK RM | 51 | 1 | 104-13 | PIN, TOP LINK |
| 25 | 1 | 695-120 | BRACKET, HITCH - THCK RM | 52 | 4 | 108-15 | WASHER .42x.81x.05 ZINC |
| 26 | 1 | 695-114 | HITCH ASSY - 8W TRAILER | 53 | 2 | 108-35 | WASHER .53x1.06x.09 ZINC |
| 27 | 1 | 695-93 | TONGUE ASM | 54 | 2 | 108-53 | WASHER .81x1.5x.12 ZINC |
| | | | | 55 | 2 | 117-29 | LOCKNUT, NYLON 3/8-16 ZINC |
| | | | | 56 | 1 | 117-37 | NUT, HEX SLOTTED 3/4-10 ZINC |
| | | | | 57 | 2 | 117-57 | LOCKNUT, NYLOC 1/2-20 ZINC |
| | | | | 58 | 2 | 657-54 | BUSHING |
| | | | | 59 | 1 | 695-121 | BOLT, SWIVEL 3/4-10 X 1.75 |
| | | | | 60 | 4 | 10081A001 | RIVET, 3/16 x 0.376 - 0.500 AL |

* 127-180R/127-181L OPTIONAL TIRES SHOWN IN DIAGRAM. STANDARD TIRE STYLE IS P/N 127-182L/127-182R UNLESS 127-180R/127-181L STYLE (or other) IS REQUESTED.



614-06 CARGO TIE DOWN KIT (SET OF 6)

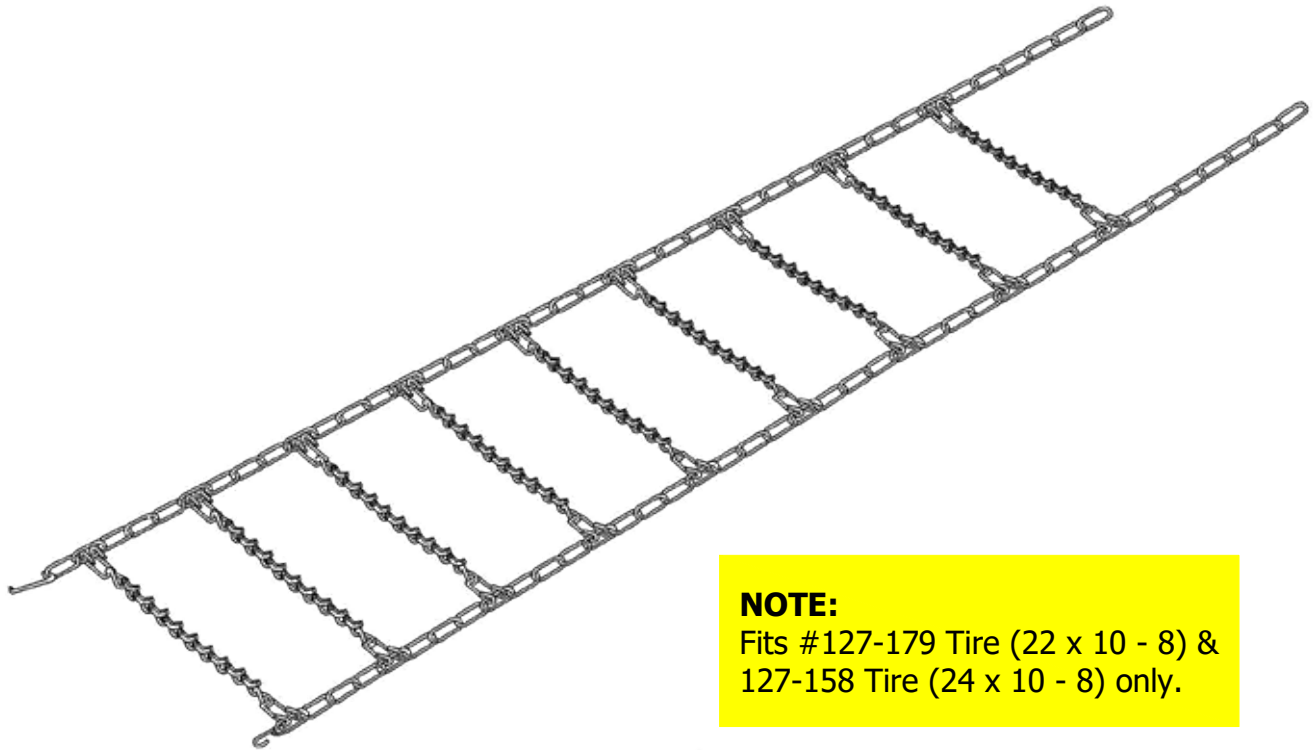


| Ref. | Qty | Part # | Description |
|------|-----|--------|--------------------------|
| 1 | 6 | 614-04 | BRACKET, TIE DOWN |
| 2 | 6 | 614-05 | RING, "D" - TIE DOWN |
| 3 | 12 | 120-09 | RIVET - 3/16 x 1.0 BLACK |
| 4 | 12 | 120-05 | WASHER .19x.50x.04 ZINC |

SHIPPING WEIGHT AND DIMENSIONS

1 Package - Dimensional Weight: 1 lb; Dimensions: 6" x 5" x 1"; Actual Weight: 1 lb

615-10 TIRE CHAINS (1 PAIR)



NOTE:
Fits #127-179 Tire (22 x 10 - 8) &
127-158 Tire (24 x 10 - 8) only.

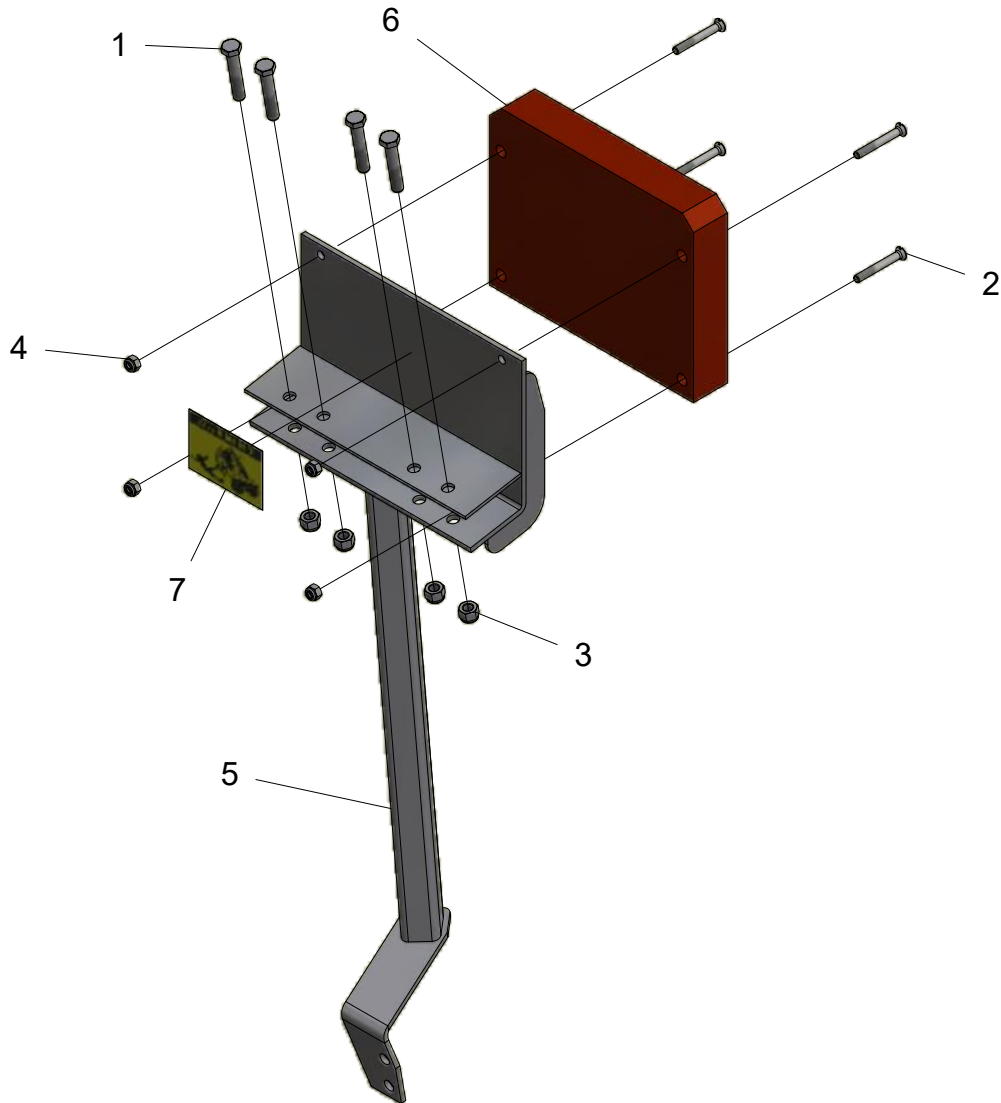
| Ref. | Qty | Part # | Description |
|------|-----|--------|-------------|
| 1 | 2 | 615-10 | TIRE CHAIN |

SHIPPING WEIGHT AND DIMENSIONS

1 Box - Dimensional Weight: 2 lbs; Dimensions: 13" x 6" x 3-1/2"; Actual Weight: 13 lbs

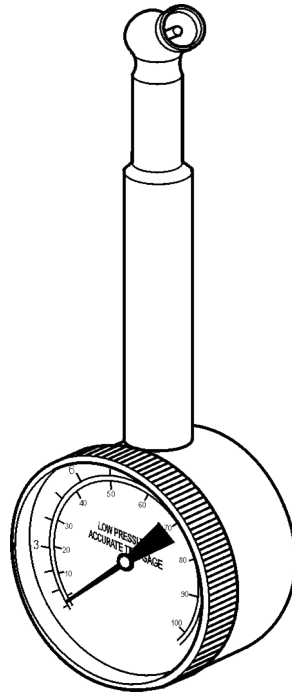


617-10 OUTBOARD MOTOR BRACKET - SIDE MOUNT - AVENGER



| Ref. | Qty | Part # | Description |
|------|-----|--------|-------------------------------|
| 1 | 4 | 103-68 | HHCS 3/8-16x2.0 GR5 ZINC |
| 2 | 4 | 103-98 | FHMS, SLOT 1/4-20x2.0 ZINC |
| 3 | 4 | 117-29 | LOCKNUT, NYLON 3/8-16 ZINC |
| 4 | 4 | 117-27 | LOCKNUT, NYLON 1/4-20 ZINC |
| 5 | 1 | 617-11 | BRACKET, SUPPORT - WELDMENT |
| 6 | 1 | 618-11 | BLOCK, MOUNTING |
| 7 | 1 | 618-21 | LABEL, WARNING, O/B MOTOR KIT |

619-10 TIRE GAUGE, DIAL-TYPE (0-15 PSI)



| Ref. | Qty | Part # | Description |
|------|-----|--------|----------------------------------|
| 1 | 1 | 619-10 | TIRE GAUGE, DIAL-TYPE (0-15 PSI) |

SHIPPING WEIGHT AND DIMENSIONS
1 Piece - 9" x 4" x 2"; Actual Weight: 1 lb.

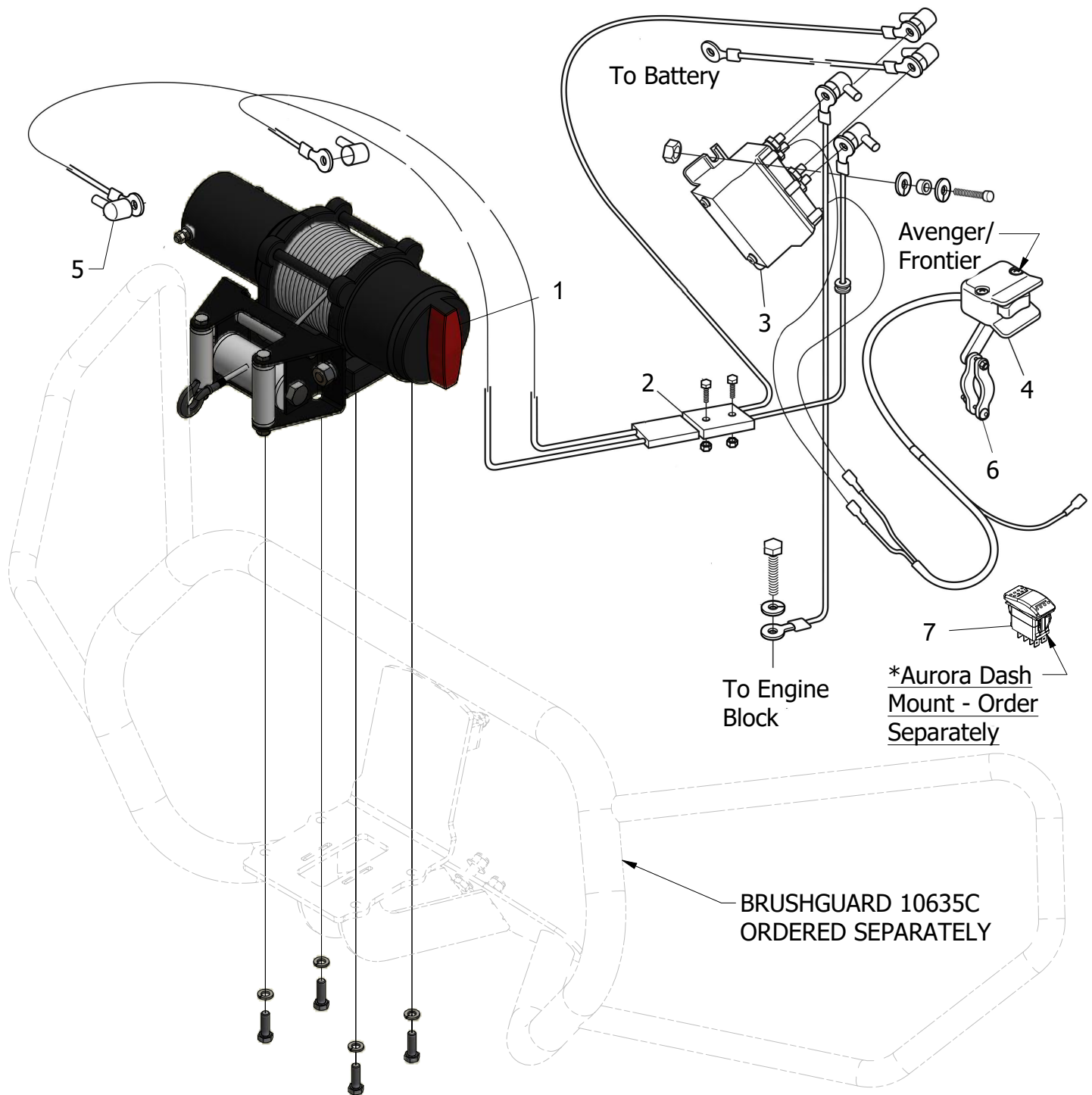


621-35 UTILITY STORAGE POUCH



| Ref. | Qty | Part # | Description |
|------|-----|--------|---------------|
| 1 | 1 | 621-35 | UTILITY POUCH |

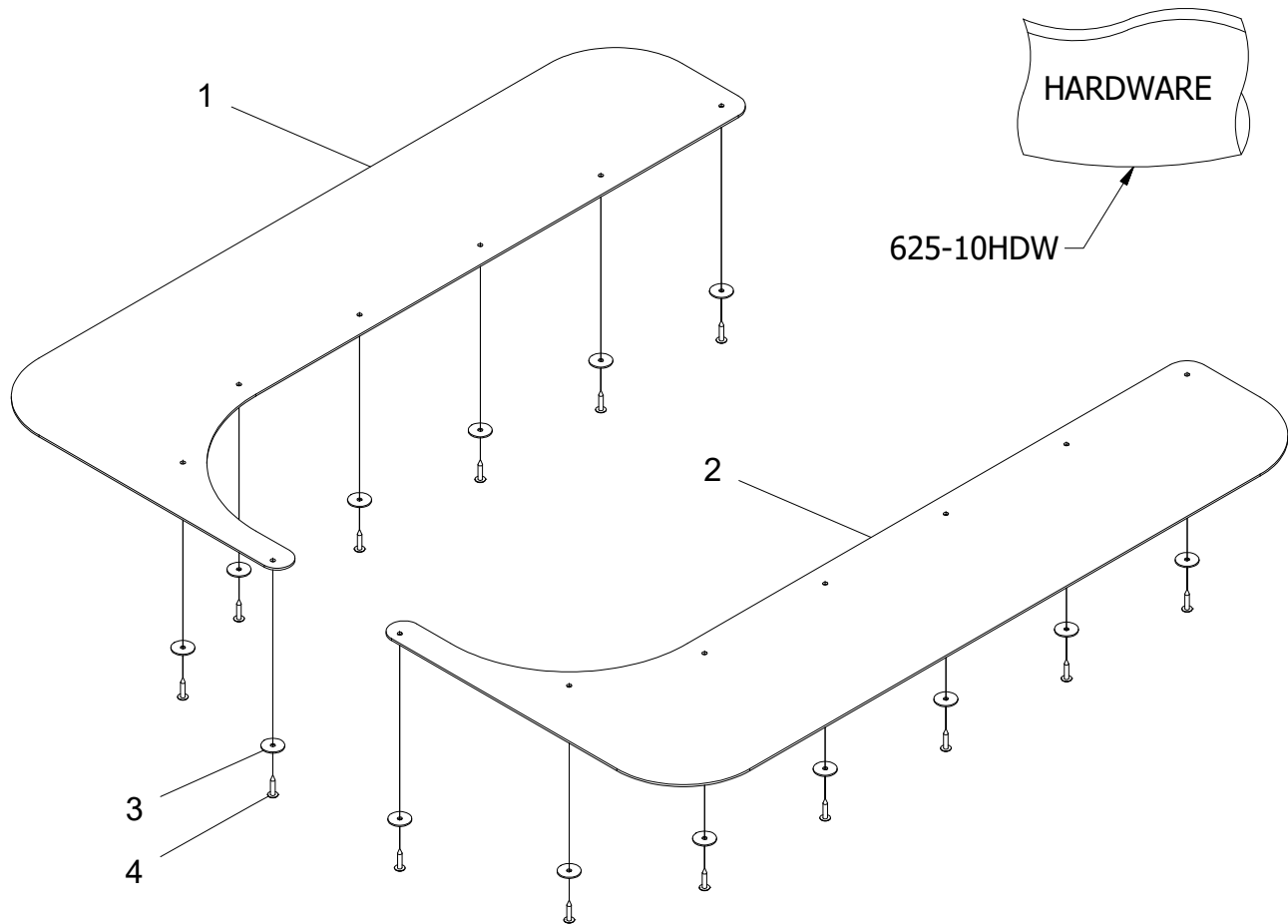
622-138 WINCH, PRO ADVANTAGE 3500, WARN



| Ref. | Qty | Part # | Description |
|------|-----|---------|--|
| 1 | 1 | 622-138 | WINCH, PRO VANTAGE 3500, WARN (includes items 2-6) |
| 2 | 1 | 622-109 | WIRE HARNESS, WINCH |
| 3 | 1 | 622-141 | SOLENOID, WINCH - WARN |
| 4 | 1 | 622-139 | SWITCH, WINCH TOGGLE - WARN |
| 5 | 1 | 613-45 | INSULATOR, TERMINAL (6 Ga.) |
| 6 | 1 | 622-132 | KIT, HANDLEBAR MOUNT |
| * 7 | 1 | 613-295 | SWITCH, WINCH |



625-10 MUD FLAP ASSY



| Ref. | Qty | Part # | Description |
|------|-----|--------|----------------|
| 1 | 1 | 625-11 | MUDFLAP - L.H. |
| 2 | 1 | 625-12 | MUDFLAP - R.H. |

625-10HDW (Hardware Parts Kit)

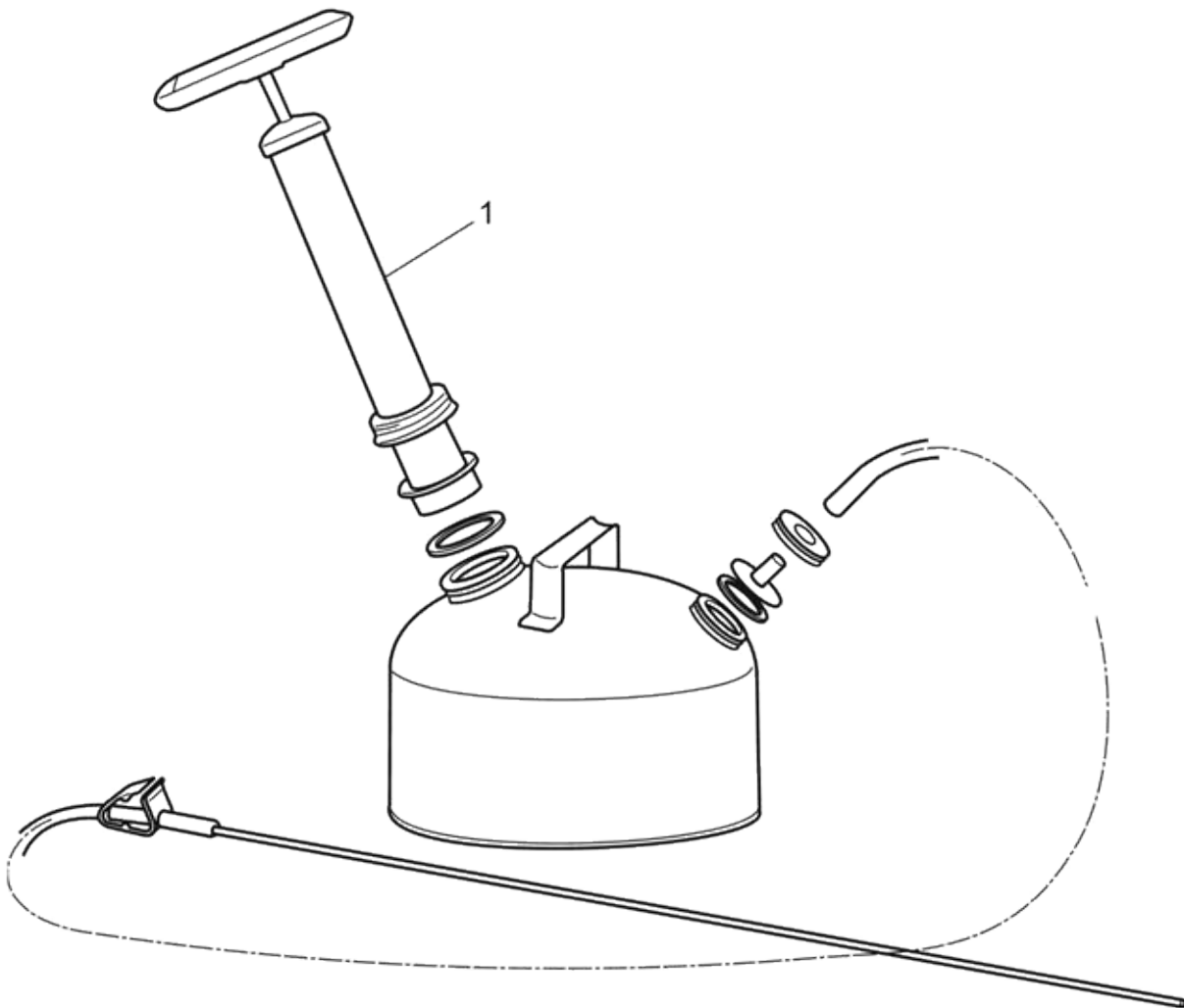
| Ref. | Qty | Part # | Description |
|------|-----|--------|-----------------------------|
| 3 | 15 | 108-42 | WASHER .21x1.0x.06 ZINC |
| 4 | 15 | 112-45 | T/S TR HD PHIL #10x1.0 ZINC |

SHIPPING WEIGHT AND DIMENSIONS

1 Box - Dimensional Weight: 4.23 lbs; Dimensions: 38" x 18-1/2" x 1"
 Actual Weight: 5 lbs



638-02 OIL CHANGE PUMP

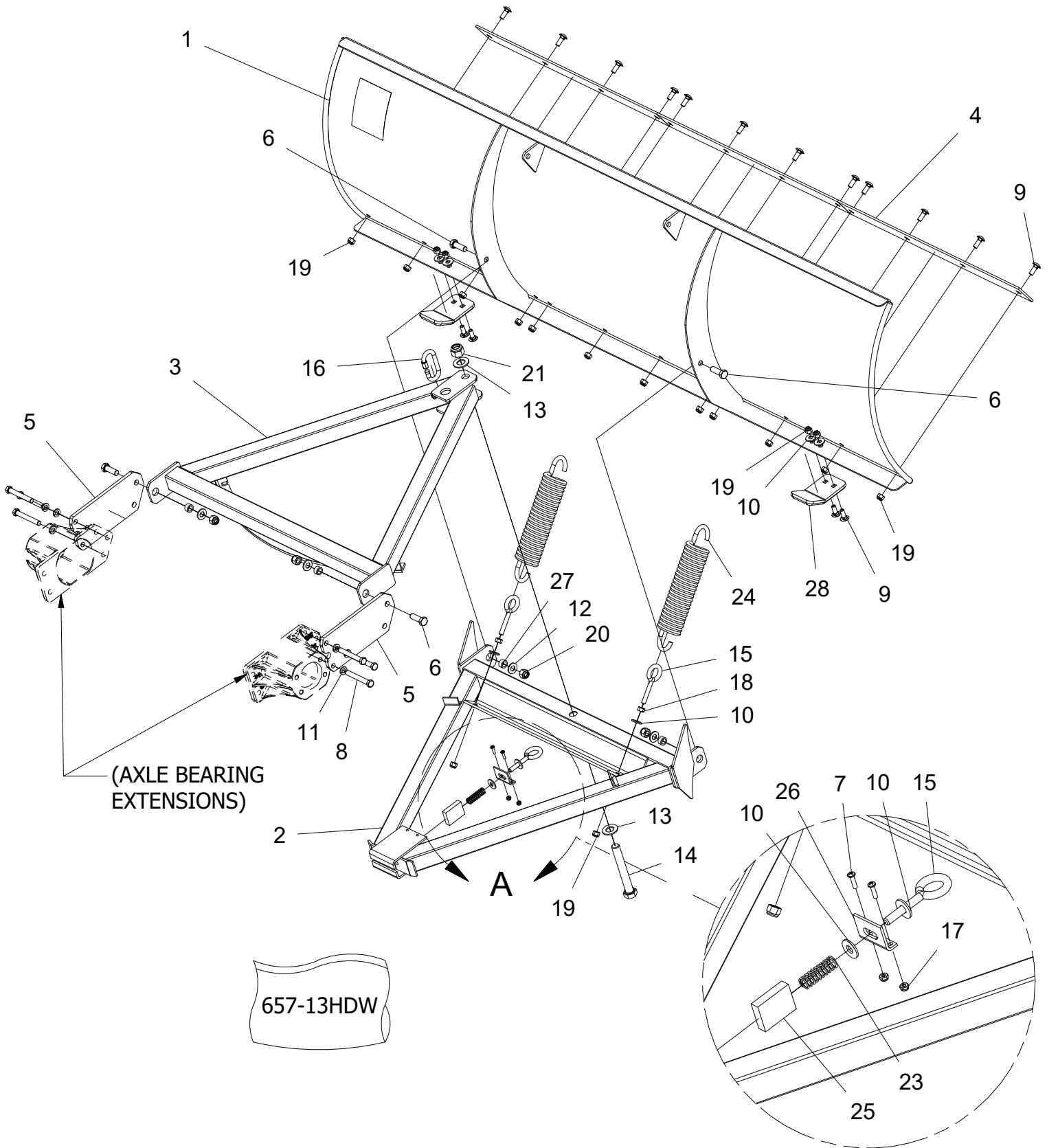


| Ref. | Qty | Part # | Description |
|------|-----|--------|-------------|
| 1 | 1 | 638-02 | VACUUM PUMP |

SHIPPING WEIGHT AND DIMENSIONS

1 Box - Dimensional Weight: 10 lbs; Dimensions: 12" x 12" x 12"; Actual Weight: 6 lbs

657-21 SNOWPLOW



(Cont'd next page)



(657-21 Cont'd)

| Ref. | Qty | Part # | Description |
|------|-----|--------|---------------------------------|
| 1 | 1 | 657-11 | BLADE ASM, SNOWPLOW |
| 2 | 1 | 657-25 | BOOM ASM, LOWER -ARGO & CENTAUR |
| 3 | 1 | 657-26 | BOOM ASM, UPPER - ARGO ONLY |
| 4 | 3 | 657-90 | KNIFE |
| 5 | 2 | 657-17 | BRACKET, SNOWPLOW MTG - AVG |

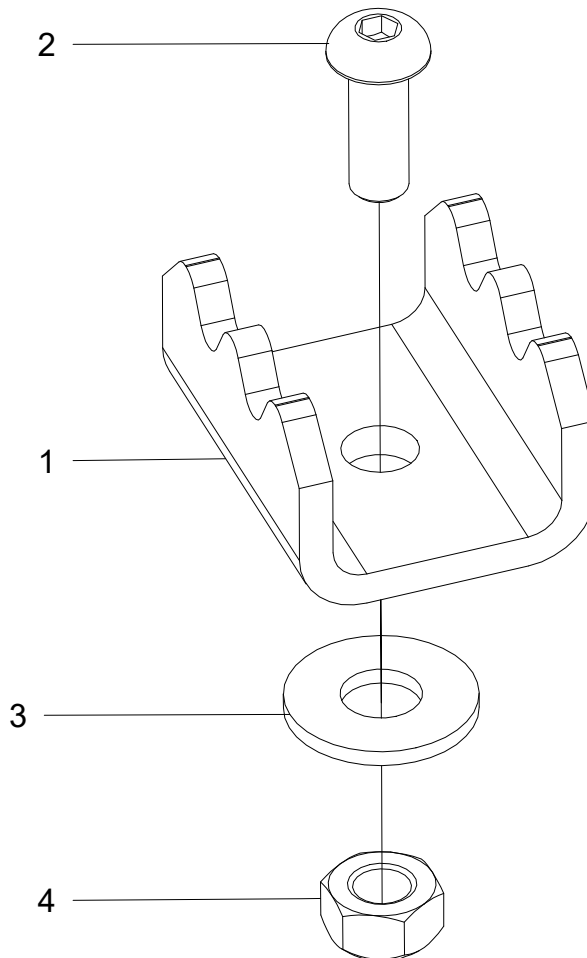
657-13HDW (HARDWARE, SNOWPLOW KIT)

| Ref. | Qty | Part # | Description |
|------|-----|--------|--------------------------------|
| 6 | 4 | 103-21 | HHCS 1/2-20x1.5 GR5 ZINC |
| 7 | 2 | 103-25 | PHMS 10-24x3/4 ZINC |
| 8 | 6 | 103-74 | HHCS 7/16-20x3.25 GR5 ZINC |
| 9 | 16 | 103-88 | C/BOLT 3/8-16x1.0 GR5 ZINC |
| 10 | 10 | 108-26 | WASHER .43x1.02x.09 ZINC |
| 11 | 6 | 108-27 | LOCKWASHER 7/16 SPLIT-RING ZNC |
| 12 | 4 | 108-35 | WASHER .53x1.06x.09 ZINC |
| 13 | 2 | 108-53 | WASHER .81x1.5x.12 ZINC |
| 14 | 1 | 112-13 | HHCS 3/4-10x5.5 GR5 ZN |
| 15 | 3 | 112-80 | EYEBOLT, WELDED 3/8-16 PLATED |
| 16 | 1 | 113-15 | QUICK LINK - 3/8" |
| 17 | 2 | 117-10 | LOCKNUT, 10-24 N/I ZINC |
| 18 | 2 | 117-15 | NUT, FIN HEX 3/8-16 ZINC |
| 19 | 18 | 117-29 | LOCKNUT, NYLON 3/8-16 ZINC |
| 20 | 4 | 117-57 | LOCKNUT, NYLOC 1/2-20 ZINC |
| 21 | 1 | 117-58 | LOCKNUT, NYLON 3/4-10 ZN |
| 22 | 2 | 120-05 | WASHER .19x.50x.04 ZINC |
| 23 | 1 | 125-78 | SPRING, COMP. 0.66x1.92 |
| 24 | 2 | 127-82 | SPRING, EXTENSION - PAINTED |
| 25 | 1 | 657-15 | BLOCK, ADJUSTMENT PIN |
| 26 | 1 | 657-16 | PLATE, SPRING STOP |
| 27 | 4 | 657-54 | BUSHING |
| 28 | 2 | 657-59 | SHOE |



825-21 ICE CLEAT KIT - 8x8 RUBBER TRACK

Fits 825-50-1 Rubber Track Kit



| Ref. | Qty | Part # | Description |
|------|-----|--------|--------------------------------|
| 1 | 44 | 625-21 | ICE CLEAT |
| 2 | 44 | 112-33 | BHCS 3/8-16x.875 GR8 ZINC |
| 3 | 44 | 108-26 | WASHER .43x1.02x.09 ZINC |
| 4 | 44 | 117-14 | LOCKNUT, CENTERLOCK 3/8-16 ZNC |

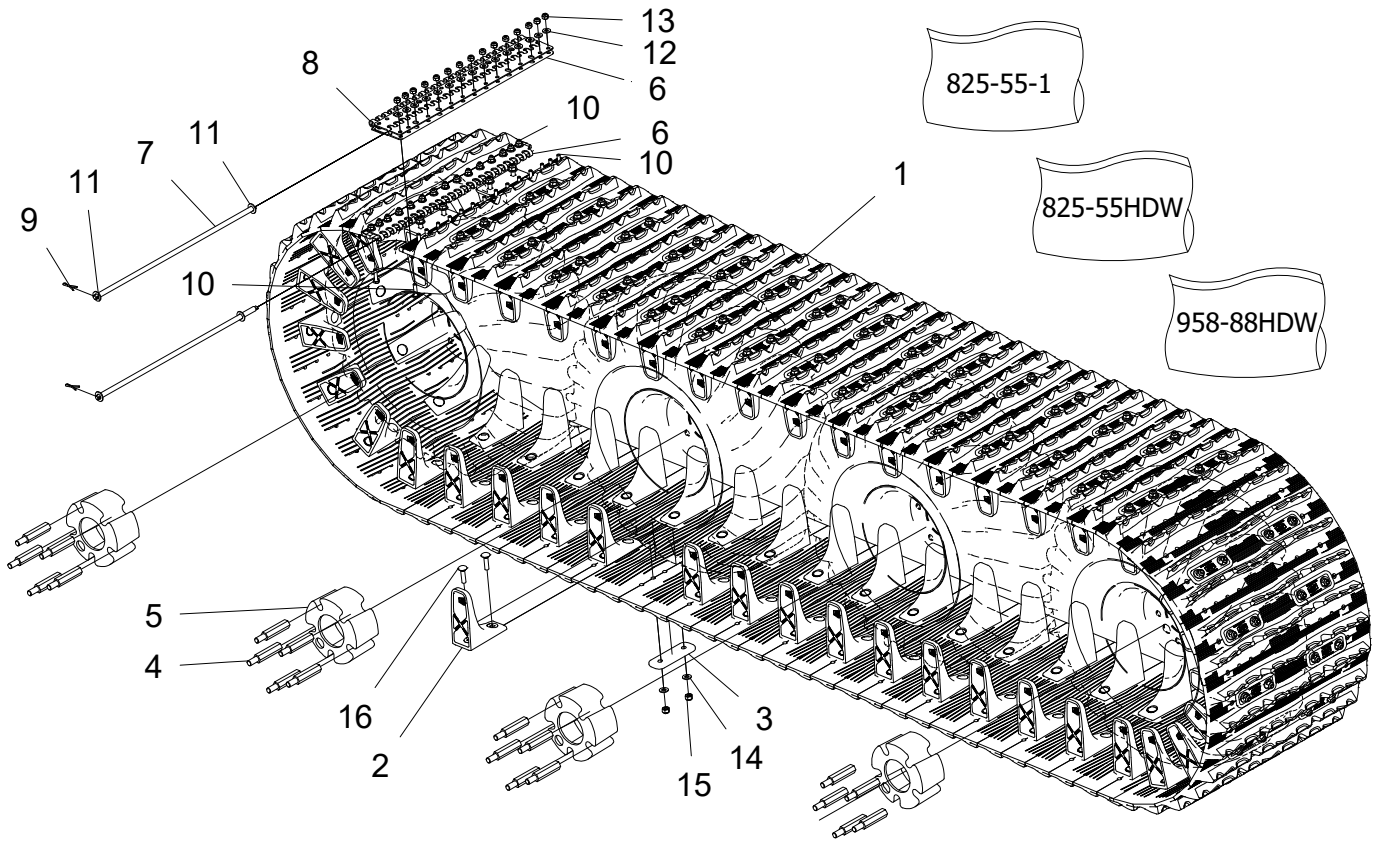
SHIPPING WEIGHT AND DIMENSIONS

825-21

1 Box - Dimensional Weight: 3 lbs, Dimensions: 8" x 6" x 8"; Actual Weight: 9 lbs

825-50-1-ASM TRACK (25"), ASSEMBLED, 8x8 RUBBER

* FOR USE ON ALL AVENGER VEHICLES PRIOR TO SERIAL No. 40887 WITH 25" TIRES



| Ref. | Qty | Part # | Description |
|------|-----|----------|-----------------------------|
| 1 | 2 | 825-51-1 | TRACK ASSY, RUBBER-FRONTIER |
| 2 | 180 | 825-52-1 | GUIDE, TRACK -ARGO -NYLON |
| 3 | 180 | 825-53 | PLATE, TRACK BACKING -ARGO |
| 4 | 42 | 126-08 | EXTENSION STUD |
| 5 | 8 | 605-77 | AXLE EXTENSION |

825-55-1 (HINGE SET - 18" RUBBER TRACKS)

| Ref. | Qty | Part # | Description |
|------|-----|--------|----------------------------|
| 6 | 4 | 825-54 | HINGE - TRACK LACING - 18" |
| 7 | 4 | 825-56 | PIN, TRACK -18" |
| 8 | 2 | 825-57 | TRACK EXTENSION - 2" X 18" |

825-55HDW (HARDWARE PARTS KIT)

| Ref. | Qty | Part # | Description |
|------|-----|---------|--------------------------------|
| 9 | 8 | 100-100 | PIN, COTTER 1/8x3/4 ZINC |
| 10 | 60 | 103-08 | HHCS 1/4-20x1.0 GR5 ZINC |
| 11 | 8 | 108-23 | WASHER .42x.81x.06 GR8 ZN DI-C |
| 12 | 60 | 108-08 | WASHER .28x.62x.07 ZINC |
| 13 | 60 | 117-27 | LOCKNUT, NYLON 1/4-20 ZINC |

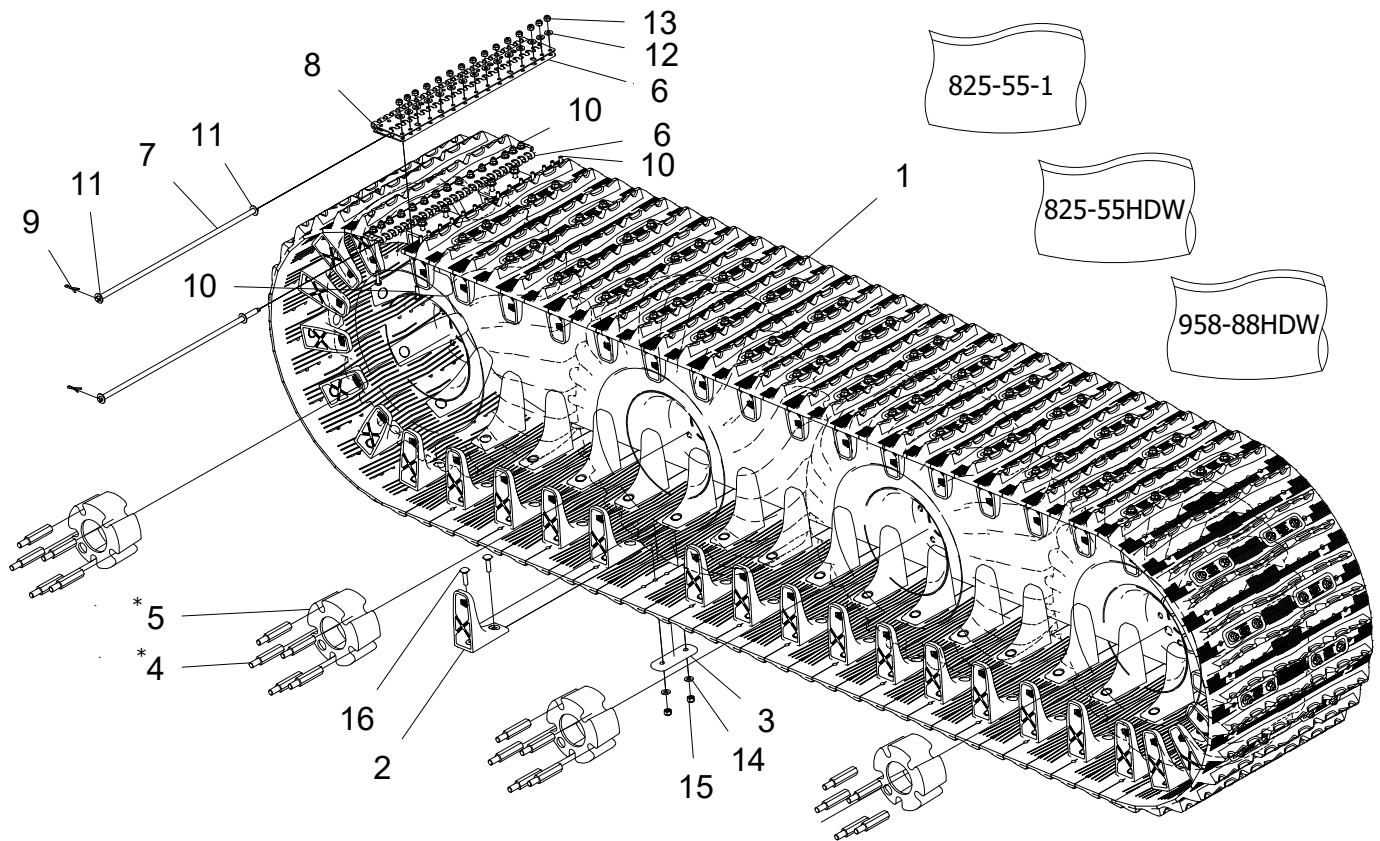
958-88HDW (HARDWARE PARTS KIT)

| Ref. | Qty | Part # | Description |
|------|-----|---------|------------------------------|
| 14 | 360 | 108-24 | WASHER .34x.70x.06 ZINC |
| 15 | 360 | 117-21 | LOCKNUT, TD 5/16-18 BNZ |
| 16 | 360 | 112-155 | C/BOLT 5/16-18x1.25 GR2 ZINC |



825-50-1 TRACK KIT, 8x8 RUBBER

825-50-1-NE TRACK KIT, 8x8 RUBBER - NO EXT



| Ref. | Qty | Part # | Description |
|------|-----|----------|--|
| 1 | 2 | 825-51-1 | TRACK ASSY, RUBBER-FRONTIER |
| 2 | 180 | 825-52-1 | GUIDE, TRACK -ARGO -NYLON |
| 3 | 180 | 825-53 | PLATE, TRACK BACKING -ARGO |
| 4 | 42 | 126-08 | EXTENSION STUD (* Not included in 825-50-1-NE) |
| 5 | 8 | 605-77 | AXLE EXTENSION (* Not included in 825-50-1-NE) |

825-55-1 (HINGE SET - 18" RUBBER TRACKS)

| Ref. | Qty | Part # | Description |
|------|-----|--------|----------------------------|
| 6 | 4 | 825-54 | HINGE - TRACK LACING - 18" |
| 7 | 4 | 825-56 | PIN, TRACK -18" |
| 8 | 2 | 825-57 | TRACK EXTENSION - 2" X 18" |

825-55HDW (HARDWARE PARTS KIT)

| Ref. | Qty | Part # | Description |
|------|-----|---------|--------------------------------|
| 9 | 8 | 100-100 | PIN, COTTER 1/8x3/4 ZINC |
| 10 | 60 | 103-08 | HHCS 1/4-20x1.0 GR5 ZINC |
| 11 | 8 | 108-23 | WASHER .42x.81x.06 GR8 ZN DI-C |
| 12 | 60 | 108-08 | WASHER .28x.62x.07 ZINC |
| 13 | 60 | 117-27 | LOCKNUT, NYLON 1/4-20 ZINC |

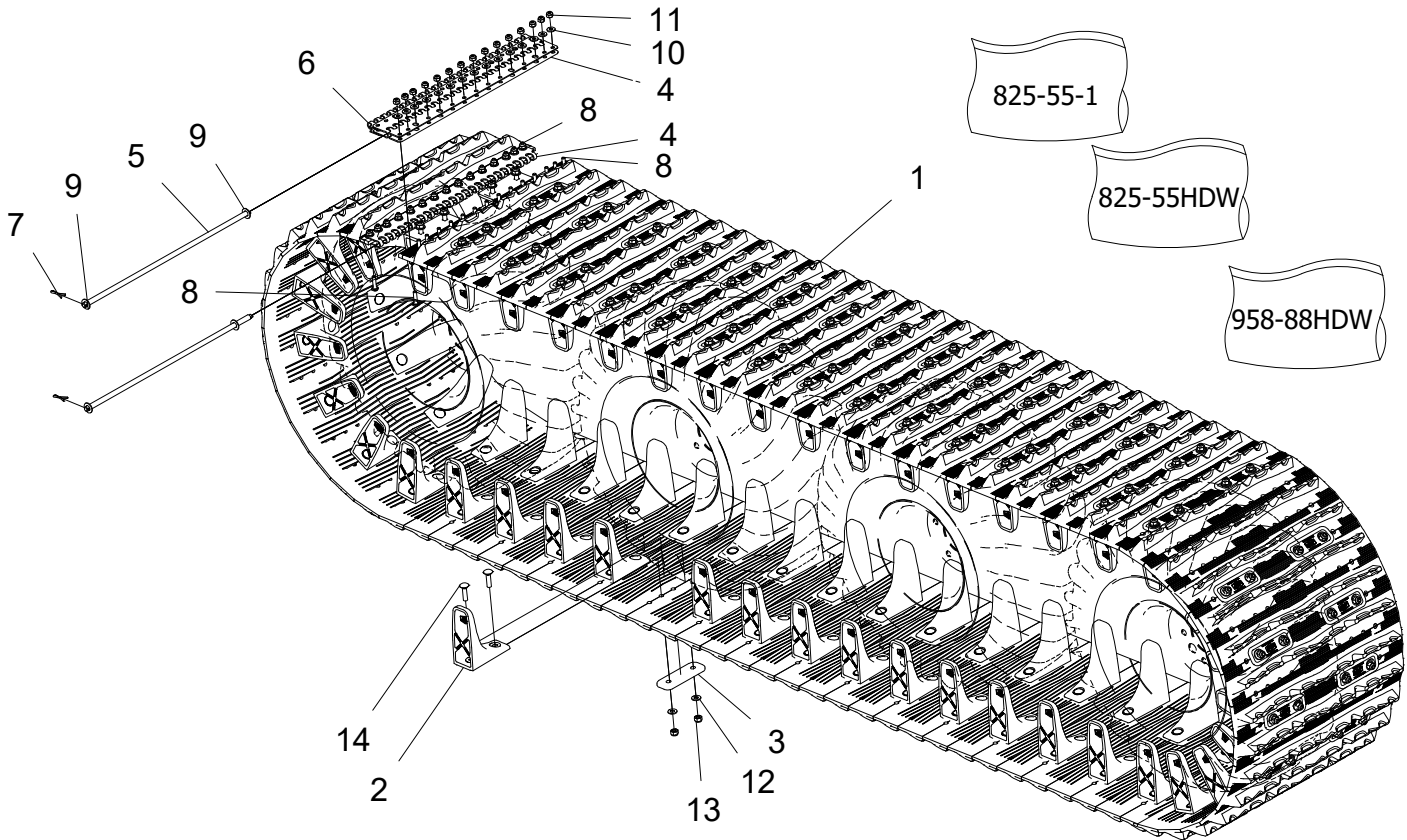
958-88HDW (HARDWARE PARTS KIT)

| Ref. | Qty | Part # | Description |
|------|-----|---------|------------------------------|
| 14 | 360 | 108-24 | WASHER .34x.70x.06 ZINC |
| 15 | 360 | 117-21 | LOCKNUT, TD 5/16-18 BNZ |
| 16 | 360 | 112-155 | C/BOLT 5/16-18x1.25 GR2 ZINC |



825-50-1-NE-ASM TRACK (25"), ASSEMBLED, RUBBER, NO EXT

* FOR USE ON ALL AVENGER VEHICLES FROM SERIAL No. 40887 WITH 25" TIRES.



| Ref. | Qty | Part # | Description |
|------|-----|----------|-----------------------------|
| 1 | 2 | 825-51-1 | TRACK ASSY, RUBBER-FRONTIER |
| 2 | 180 | 825-52-1 | GUIDE, TRACK -ARGO -NYLON |
| 3 | 180 | 825-53 | PLATE, TRACK BACKING -ARGO |

825-55-1 (HINGE SET - 18" RUBBER TRACKS)

| Ref. | Qty | Part # | Description |
|------|-----|--------|----------------------------|
| 4 | 4 | 825-54 | HINGE - TRACK LACING - 18" |
| 5 | 4 | 825-56 | PIN, TRACK -18" |
| 6 | 2 | 825-57 | TRACK EXTENSION - 2" X 18" |

825-55HDW (HARDWARE PARTS KIT)

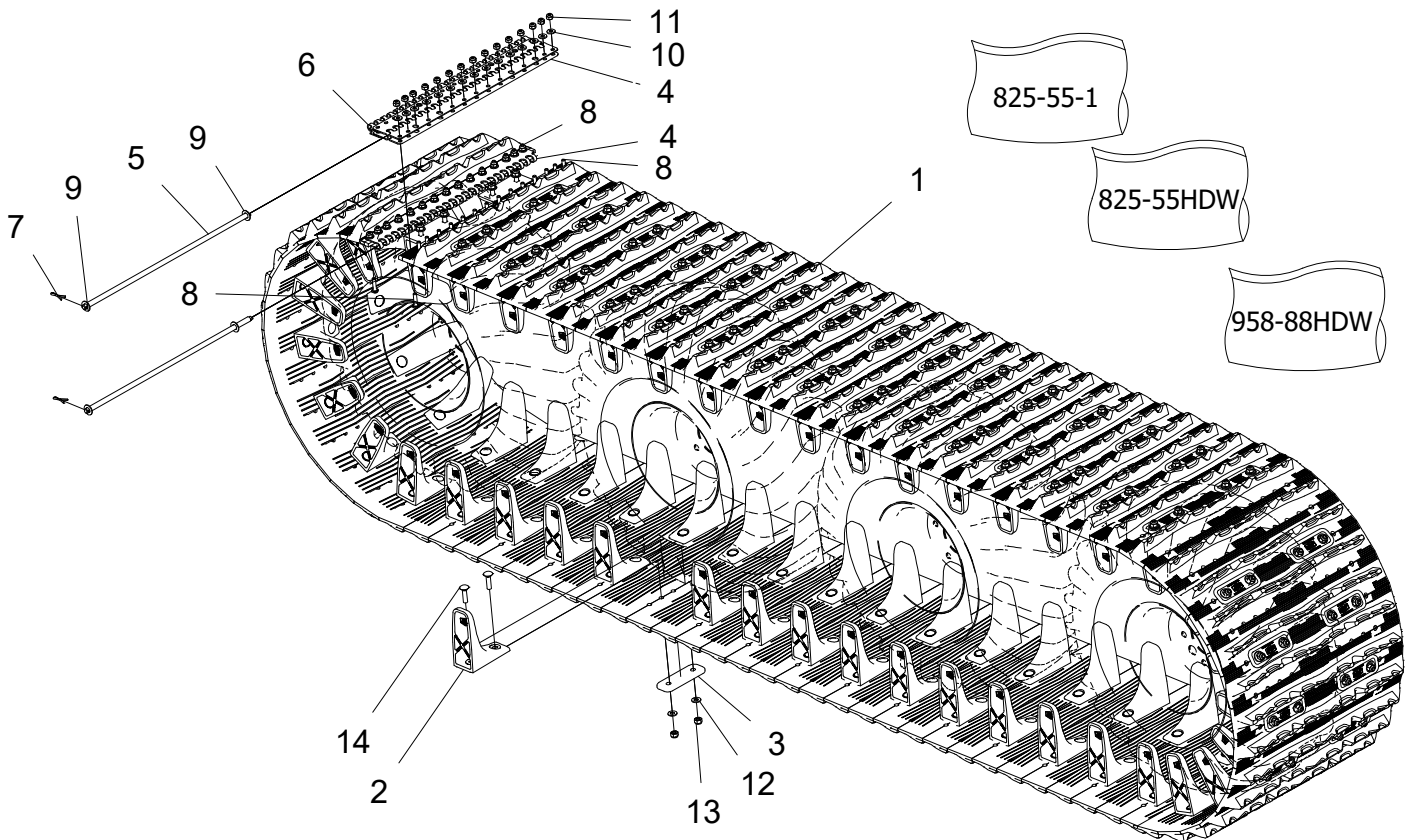
| Ref. | Qty | Part # | Description |
|------|-----|---------|--------------------------------|
| 7 | 8 | 100-100 | PIN, COTTER 1/8x3/4 ZINC |
| 8 | 60 | 103-08 | HHCS 1/4-20x1.0 GR5 ZINC |
| 9 | 8 | 108-23 | WASHER .42x.81x.06 GR8 ZN DI-C |
| 10 | 60 | 108-08 | WASHER .28x.62x.07 ZINC |
| 11 | 60 | 117-27 | LOCKNUT, NYLON 1/4-20 ZINC |

958-88HDW (HARDWARE PARTS KIT)

| Ref. | Qty | Part # | Description |
|------|-----|---------|------------------------------|
| 12 | 360 | 108-24 | WASHER .34x.70x.06 ZINC |
| 13 | 360 | 117-21 | LOCKNUT, TD 5/16-18 BNZ |
| 14 | 360 | 112-155 | C/BOLT 5/16-18x1.25 GR2 ZINC |

825-50-1-NE TRACK (25"), 8x8 RUBBER-NO EXT 825-50-1-NE-ASM TRACK (25"), ASSEMBLED, RUBBER

* FOR USE ON ALL AVENGER VEHICLES FROM SERIAL No. 40887.



| Ref. | Qty | Part # | Description |
|------|-----|----------|-----------------------------|
| 1 | 2 | 825-51-1 | TRACK ASSY, RUBBER-FRONTIER |
| 2 | 180 | 825-52-1 | GUIDE, TRACK -ARGO -NYLON |
| 3 | 180 | 825-53 | PLATE, TRACK BACKING -ARGO |

825-55-1 (HINGE SET - 18" RUBBER TRACKS)

| Ref. | Qty | Part # | Description |
|------|-----|--------|----------------------------|
| 4 | 4 | 825-54 | HINGE - TRACK LACING - 18" |
| 5 | 4 | 825-56 | PIN, TRACK -18" |
| 6 | 2 | 825-57 | TRACK EXTENSION - 2" X 18" |

825-55HDW (HARDWARE PARTS KIT)

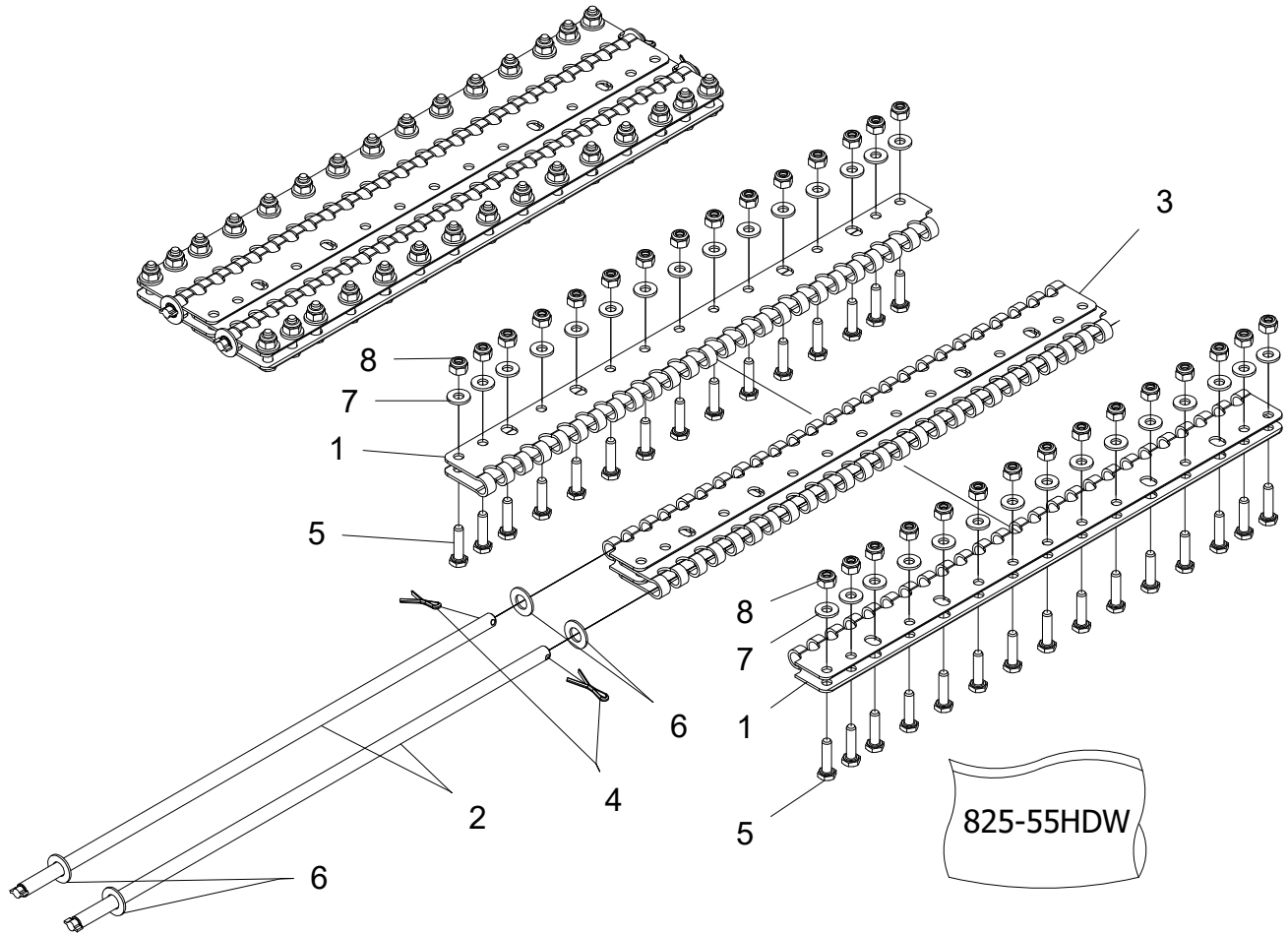
| Ref. | Qty | Part # | Description |
|------|-----|---------|--------------------------------|
| 7 | 8 | 100-100 | PIN, COTTER 1/8x3/4 ZINC |
| 8 | 60 | 103-08 | HHCS 1/4-20x1.0 GR5 ZINC |
| 9 | 8 | 108-23 | WASHER .42x.81x.06 GR8 ZN DI-C |
| 10 | 60 | 108-08 | WASHER .28x.62x.07 ZINC |
| 11 | 60 | 117-27 | LOCKNUT, NYLON 1/4-20 ZINC |

958-88HDW (HARDWARE PARTS KIT)

| Ref. | Qty | Part # | Description |
|------|-----|---------|------------------------------|
| 12 | 360 | 108-24 | WASHER .34x.70x.06 ZINC |
| 13 | 360 | 117-21 | LOCKNUT, TD 5/16-18 BNZ |
| 14 | 360 | 112-155 | C/BOLT 5/16-18x1.25 GR2 ZINC |



825-55-1 HINGE SET - 18" RUBBER TRACKS

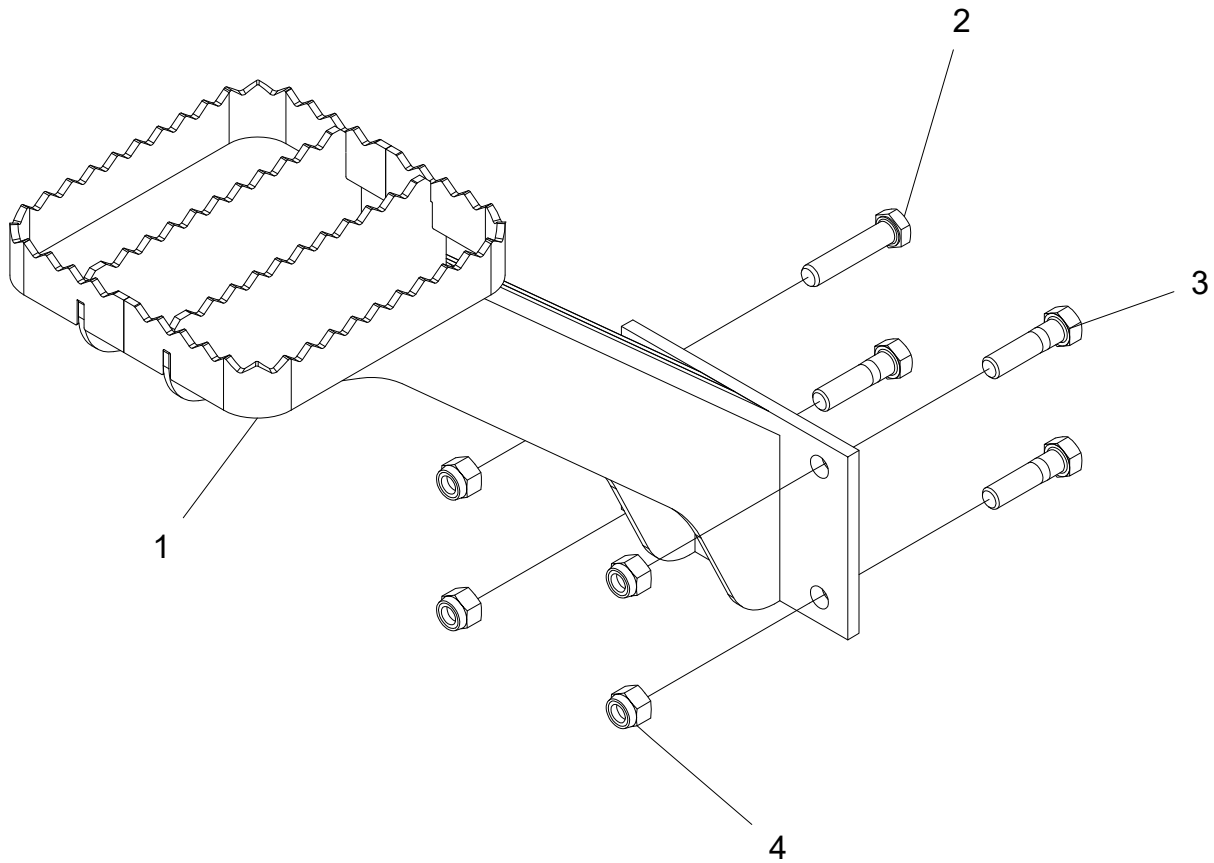


| Ref. | Qty | Part # | Description |
|------|-----|--------|----------------------------|
| 1 | 4 | 825-54 | HINGE - TRACK LACING - 18" |
| 2 | 4 | 825-56 | PIN, TRACK -18" |
| 3 | 2 | 825-57 | TRACK EXTENSION - 2" X 18" |

825-55HDW (HARDWARE PARTS KIT)

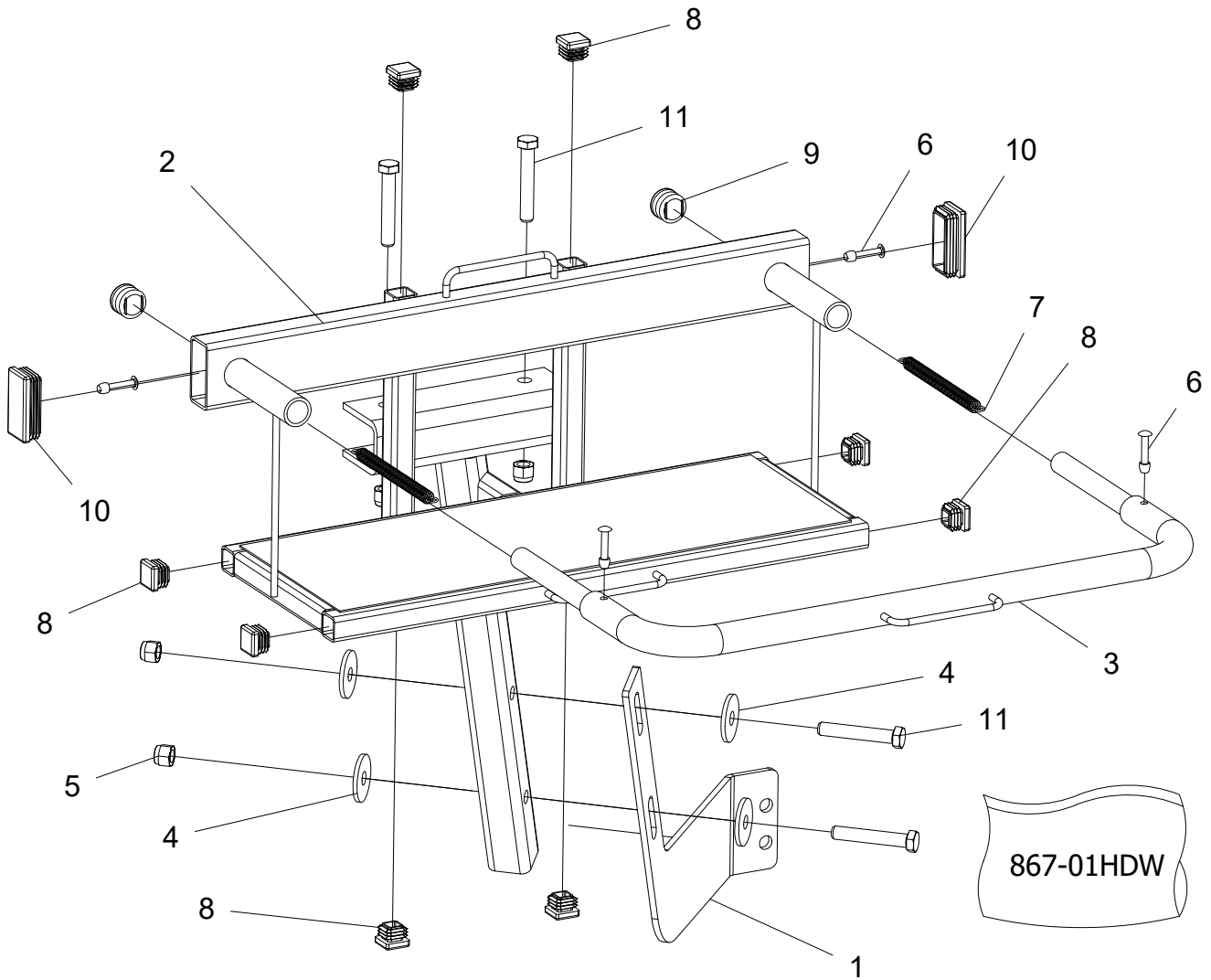
| Ref. | Qty | Part # | Description |
|------|-----|---------|--------------------------------|
| 4 | 4 | 100-100 | PIN, COTTER 1/8x3/4 ZINC |
| 5 | 60 | 103-08 | HHCS 1/4-20x1.0 GR5 ZINC |
| 6 | 8 | 108-23 | WASHER .42x.81x.06 GR8 ZN DI-C |
| 7 | 60 | 108-08 | WASHER .28x.62x.07 ZINC |
| 8 | 60 | 117-27 | LOCKNUT, NYLON 1/4-20 ZINC |

848-173 ENTRY STEP ACCESSORY



| Ref. | Qty | Part # | Description |
|------|-----|--------|----------------------------|
| 1 | 1 | 848-05 | STEP ASSY, ENTRY-AVenger |
| 2 | 1 | 103-76 | HHCS 3/8-16x1.75 GR5 ZINC |
| 3 | 3 | 103-82 | HHCS 3/8-16x1.5 GR5 ZINC |
| 4 | 4 | 117-29 | LOCKNUT, NYLON 3/8-16 ZINC |

867-01 GAS CAN CARRIER KIT

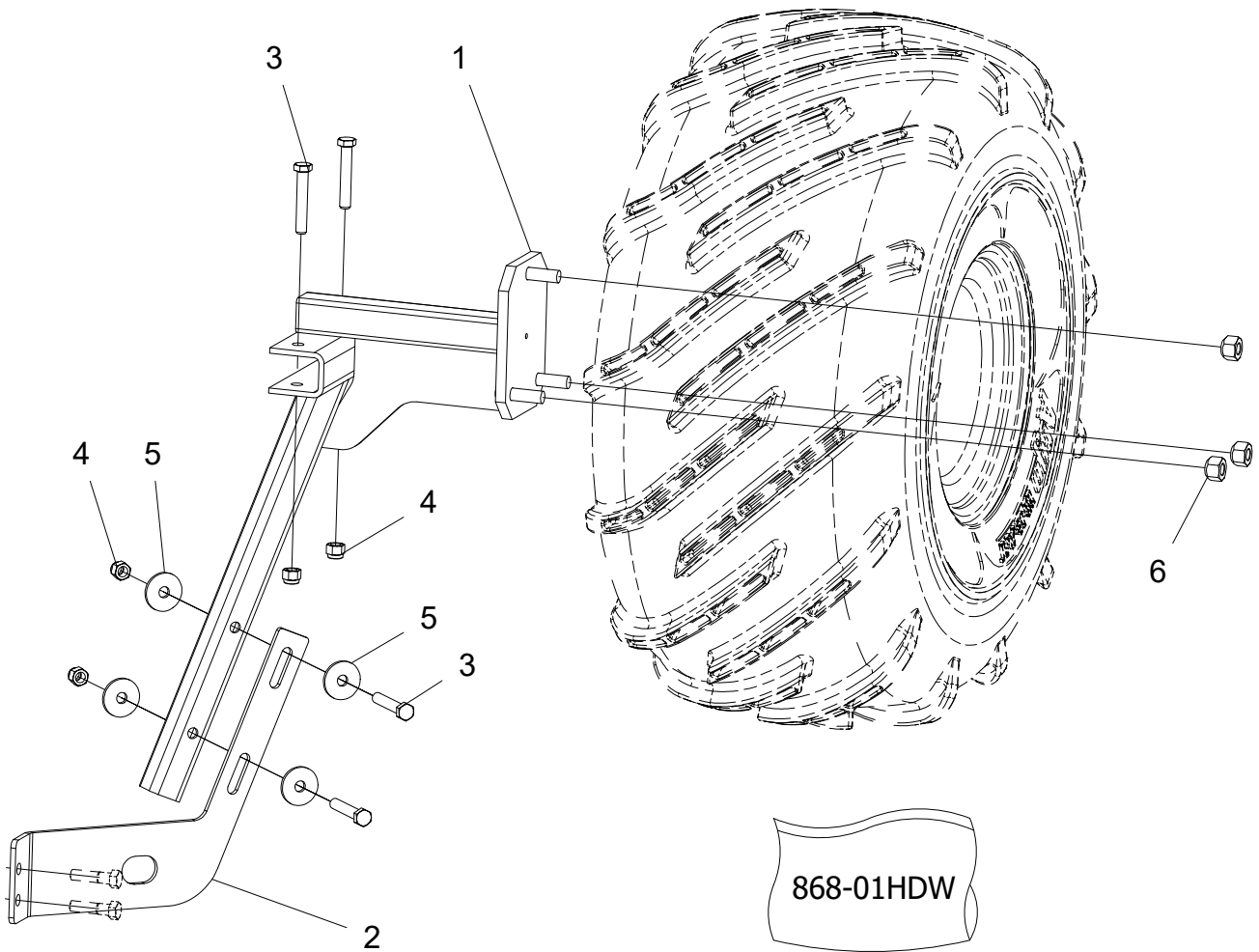


| Ref. | Qty | Part # | Description |
|------|-----|--------|----------------------------|
| 1 | 1 | 867-02 | BRACKET, HITCH MOUNT-LH |
| 2 | 1 | 867-03 | ASM, CAN CARRIER-RESTRAINT |
| 3 | 1 | 867-04 | ASM, CAN CARRIER-RESTRAINT |

867-01HDW (Hardware Kit, Gas Can Carrier)

| Ref. | Qty | Part # | Description |
|------|-----|---------|--------------------------------|
| 4 | 4 | 108-18 | WASHER .40x1.37x.12 ZINC |
| 5 | 4 | 117-29 | LOCKNUT, NYLON 3/8-16 ZINC |
| 6 | 4 | 120-32 | RIVET, 3/16 X 1.075 BLACK |
| 7 | 2 | 127-224 | SPRING, EXT 3/8 X 4.5" |
| 8 | 8 | 867-18 | PLUG, END 3/4" TUBE-BLACK |
| 9 | 2 | 867-17 | PLUG, OD 7/8" ID 0.685"-BLACK |
| 10 | 2 | 867-19 | PLUG, END 1.0 X 2.0 TUBE-BLACK |
| 11 | 4 | 112-55 | HHCS 3/8-16x2.25 GR8 |

868-01 SPARE TIRE CARRIER

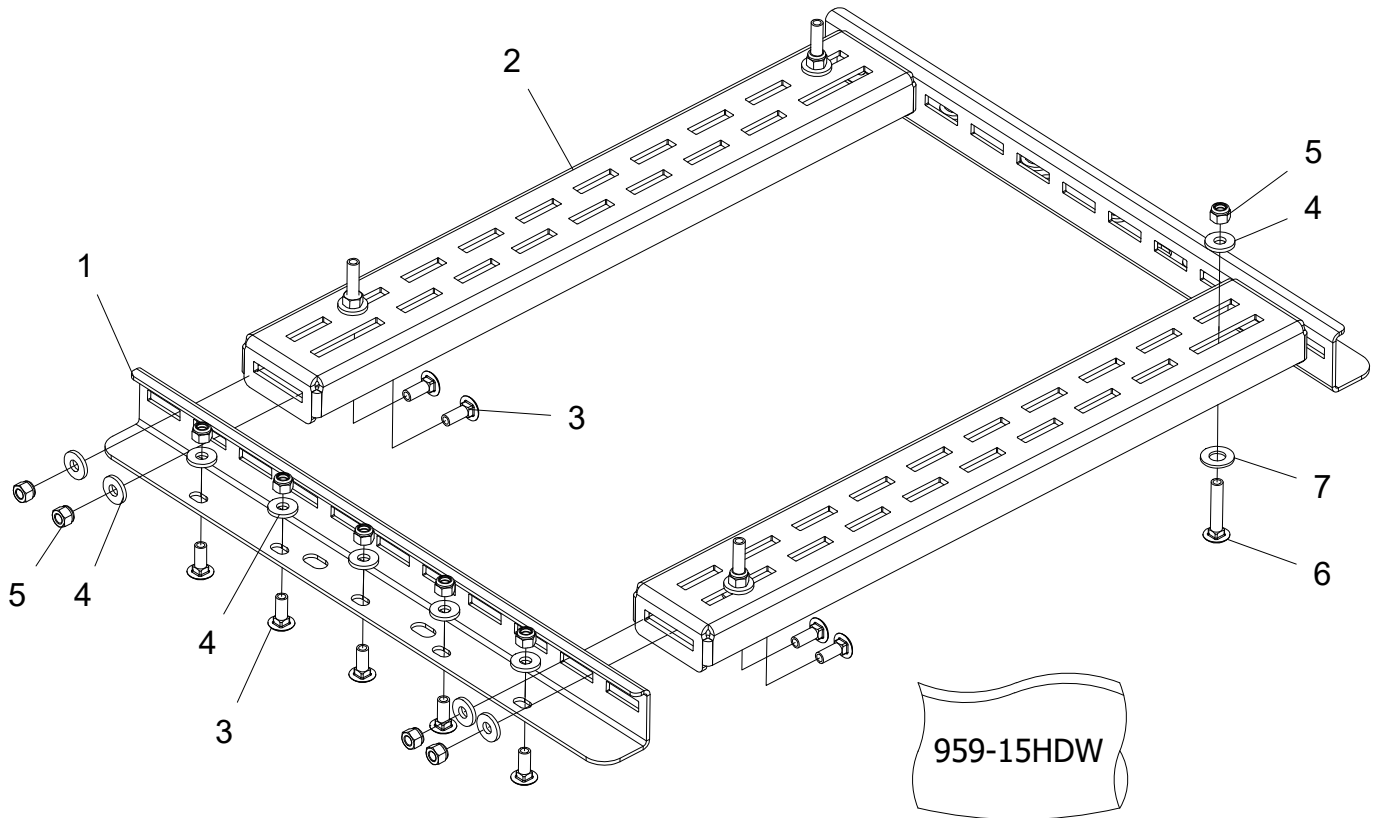


| Ref. | Qty | Part # | Description |
|------|-----|--------|-------------------------|
| 1 | 1 | 868-02 | ASM, SPARE TIRE CARRIER |
| 2 | 1 | 868-03 | BRACKET, HITCH MOUNT-RH |

868-01HDW (Hardware, Spare Tire Carrier)

| Ref. | Qty | Part # | Description |
|------|-----|--------|----------------------------|
| 3 | 4 | 112-55 | HHCS 3/8-16x2.25 GR8 |
| 4 | 4 | 117-29 | LOCKNUT, NYLON 3/8-16 ZINC |
| 5 | 4 | 108-18 | WASHER .40x1.37x.12 ZINC |
| 6 | 3 | 117-35 | NUT, WHEEL 7/16-20 ZINC |

959-15 UNIVERSAL MOUNT ACCY - TRAILER

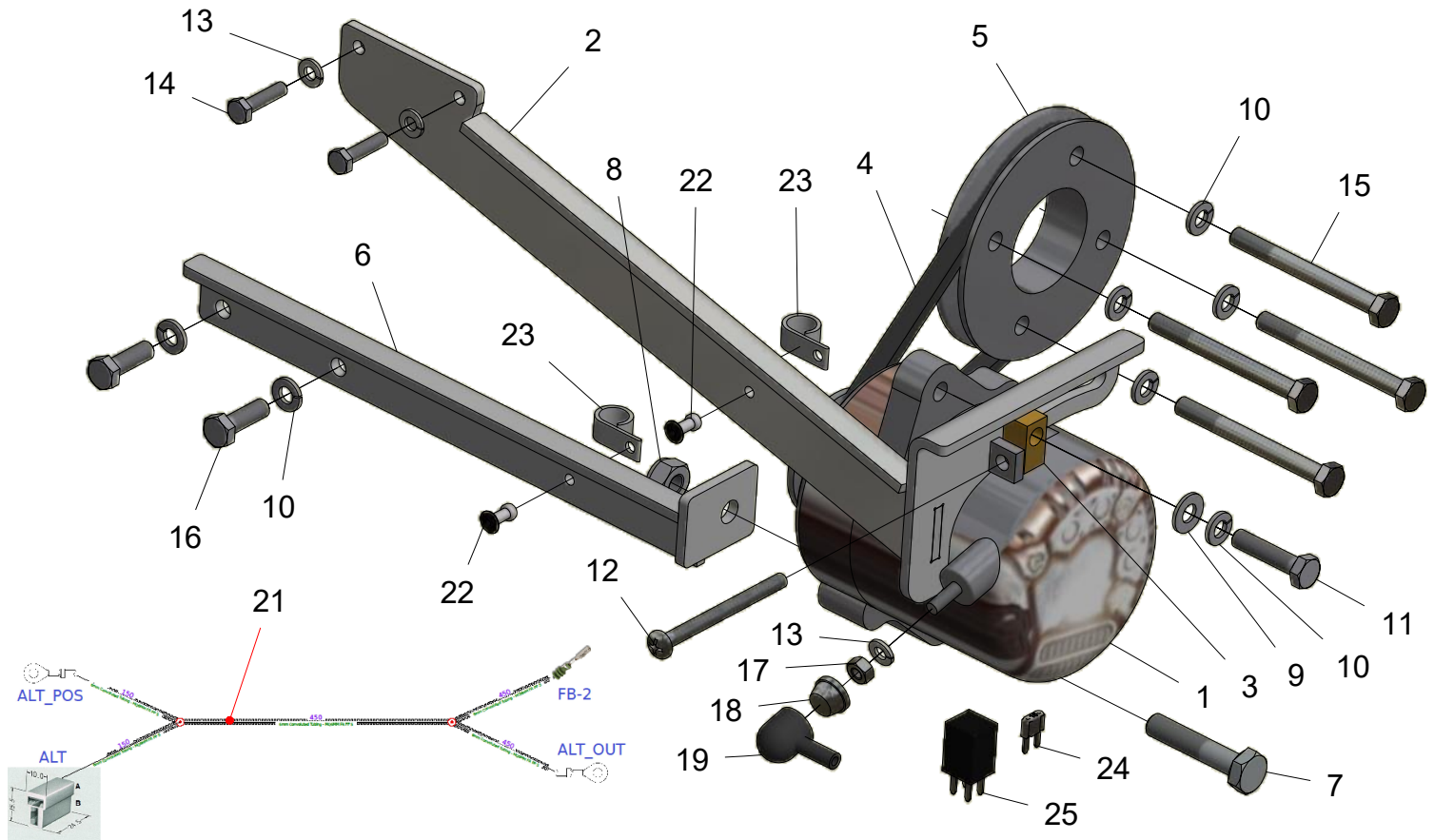


| Ref. | Qty | Part # | Description |
|------|-----|--------|--------------------------|
| 1 | 2 | 959-02 | RAIL, UNIV MNT - RM |
| 2 | 2 | 959-11 | X-MBR, UNIV MNT - HD/AVG |

959-15HDW (Hardware, Univ Mnt - Trailer)

| Ref. | Qty | Part # | Description |
|------|-----|---------|-------------------------------|
| 3 | 18 | 103-88 | C/BOLT 3/8-16x1.0 GR5 ZINC |
| 4 | 22 | 108-47 | WASHER .39x.94x.13 ZN DI-CHRO |
| 5 | 22 | 117-29 | LOCKNUT, NYLON 3/8-16 ZINC |
| 6 | 4 | 112-187 | C/BOLT 3/8-16x2.0 GR5 ZINC |
| 7 | 4 | 108-35 | WASHER .53x1.06x.09 ZINC |

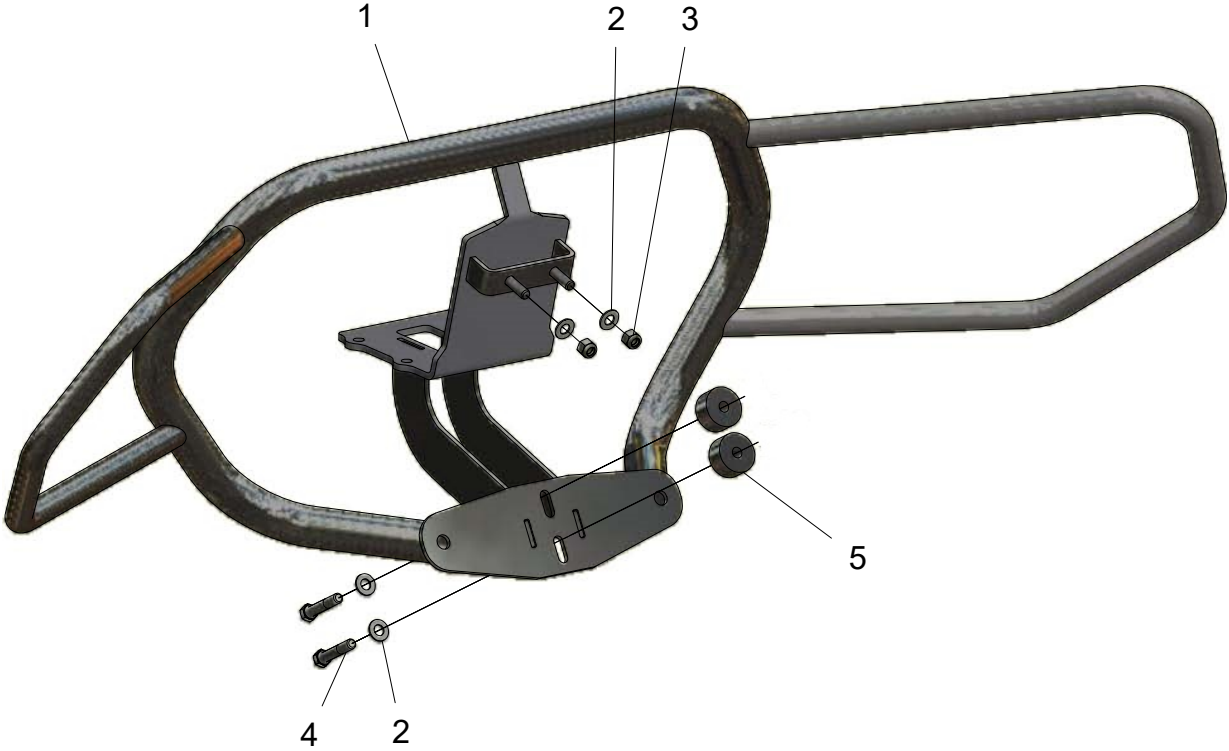
10634C ALTERNATOR ACC



| Ref. | Qty | Part # | Description |
|------|-----|-----------|--------------------------------|
| 1 | 1 | 850-41 | ALTERNATOR - 40 AMP |
| 2 | 1 | 850-180 | BRACKET, ASSY ALTR ENGINE UPR |
| 3 | 1 | 850-52 | BLOCK, ADJUSTER |
| 4 | 1 | 850-45 | V-BELT, 3/8" x 19" |
| 5 | 1 | 850-59 | PULLEY, V-BELT, ALTERNATOR |
| 6 | 1 | 850-181 | BRACKET, ASSY ALTR ENGINE LWR |
| 7 | 1 | 112-22 | HHCS M10x1,5x35mm |
| 8 | 1 | 117-60 | LOCKNUT, NYLOC M10x1.5mm ZINC8 |
| 9 | 1 | 108-24 | WASHER .34x.70x.06 ZINC |
| 10 | 7 | 108-05 | LOCKWASHER 5/16 SPLIT-RING ZNC |
| 11 | 1 | 112-63 | HHCS M8x1,25x35mm GR5 ZINC |
| 12 | 1 | 112-65 | RHMS 1/4-20x3" PHIL ZINC |
| 13 | 3 | 108-03 | LOCKWASHER 1/4 SPLIT RING ZNC |
| 14 | 2 | 112-97 | HHCS M6x1,0x25mm ZN |
| 15 | 4 | 112-167 | HHCS M8x1,25x80mm ZINC |
| 16 | 2 | 112-20 | HHCS M8x1,25x25mm ZINC |
| 17 | 1 | 117-63 | NUT, HEX M6x1,0 ZINC |
| 18 | 1 | 117-94 | PUSH NUT, 5/32" SHAFT |
| 19 | 1 | 613-45 | INSULATOR, TERMINAL (6 Ga.) |
| 21 | 1 | 10633C | HARNESS, ALTERNATOR KIT |
| 22 | 2 | 120-13 | RIVET - 3/16 x 3/4 BLACK |
| 23 | 2 | 126-93 | CLAMP, NYLON WIRE - 1/2" ID |
| 24 | 1 | 10118B100 | FUSE, MINI BLADE 10 AMP |
| 25 | 1 | 118-79 | RELAY, ULTRA MICRO, SPNO 20A |

10635C BRUSH GUARD ACC

* AURORA SERIAL No. A43099 AND PREVIOUS



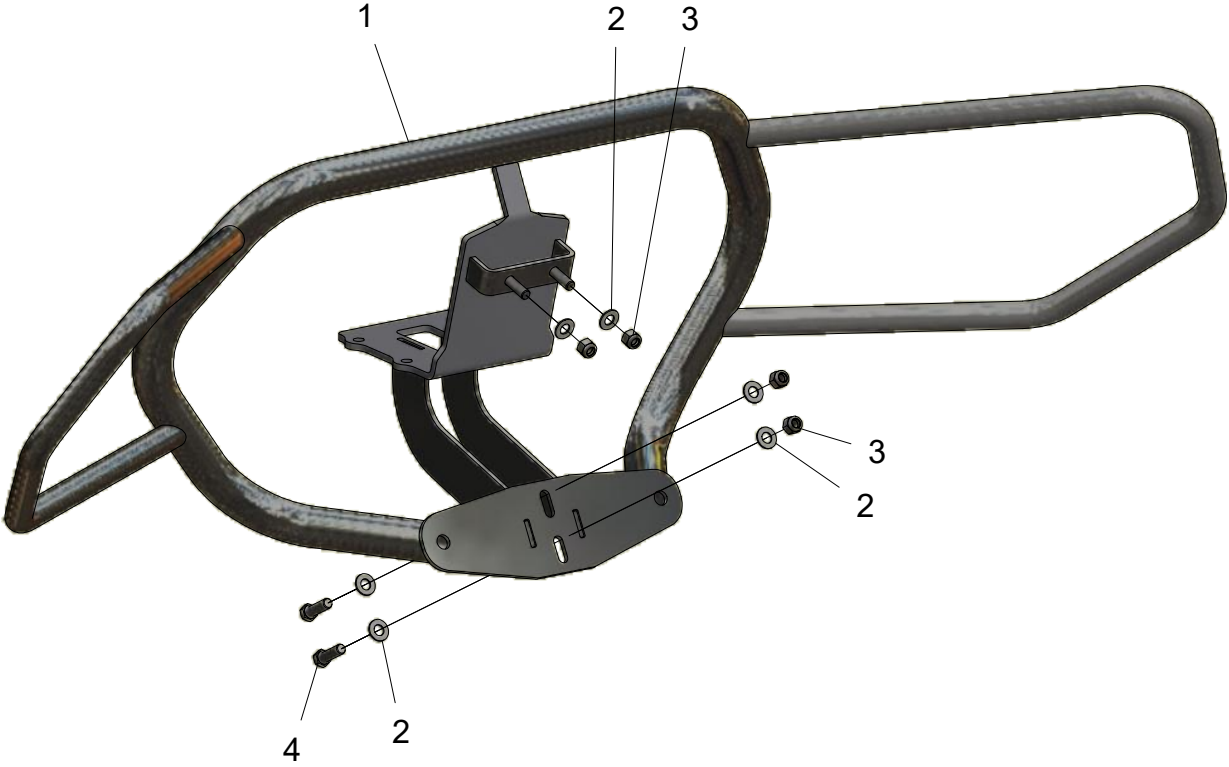
| Ref. | Qty | Part # | Description |
|------|-----|---------|---------------------------|
| 1 | 1 | 10415C | BRUSHGUARD, WINCH BRACKET |
| 2 | 4 | 108-15 | WASHER .42x.81x.05 ZINC |
| 3 | 2 | 117-128 | LOCKNUT, NYLON 3/8-16 ZP |
| 4 | 2 | 103-68 | HHCS 3/8-16x2.0 GR5 ZINC |
| 5 | 2 | 10723C | SPACER, BRUSH GUARD |

Cont'd Next Page...



10635C BRUSH GUARD ACC

* AURORA SERIAL No. A43100 AND AFTER












| Ref. | Qty | Part # | Description |
|------|-----|---------|---------------------------|
| 1 | 1 | 10415C | BRUSHGUARD, WINCH BRACKET |
| 2 | 6 | 108-15 | WASHER .42x.81x.05 ZINC |
| 3 | 4 | 117-128 | LOCKNUT, NYLON 3/8-16 ZP |
| 4 | 2 | 103-34 | HHCS 3/8-16x1.25 GR5 ZINC |

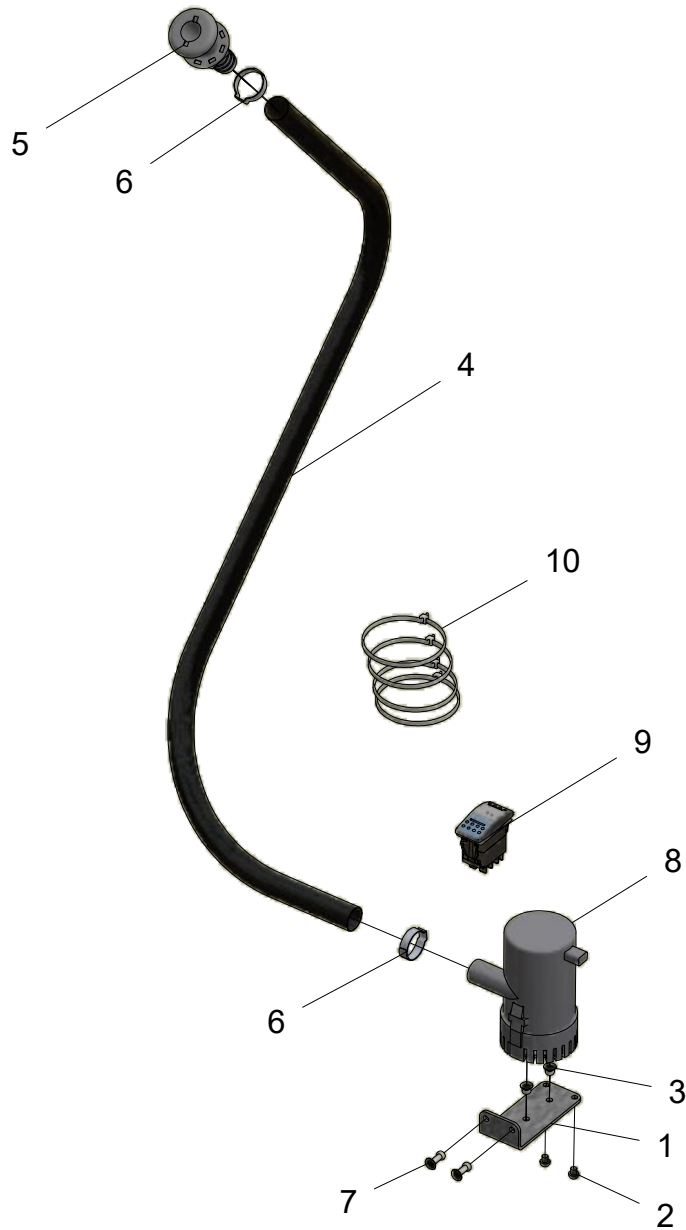


10636C ACC, TRAILER COVER-8X8 (Not For Highway Use)



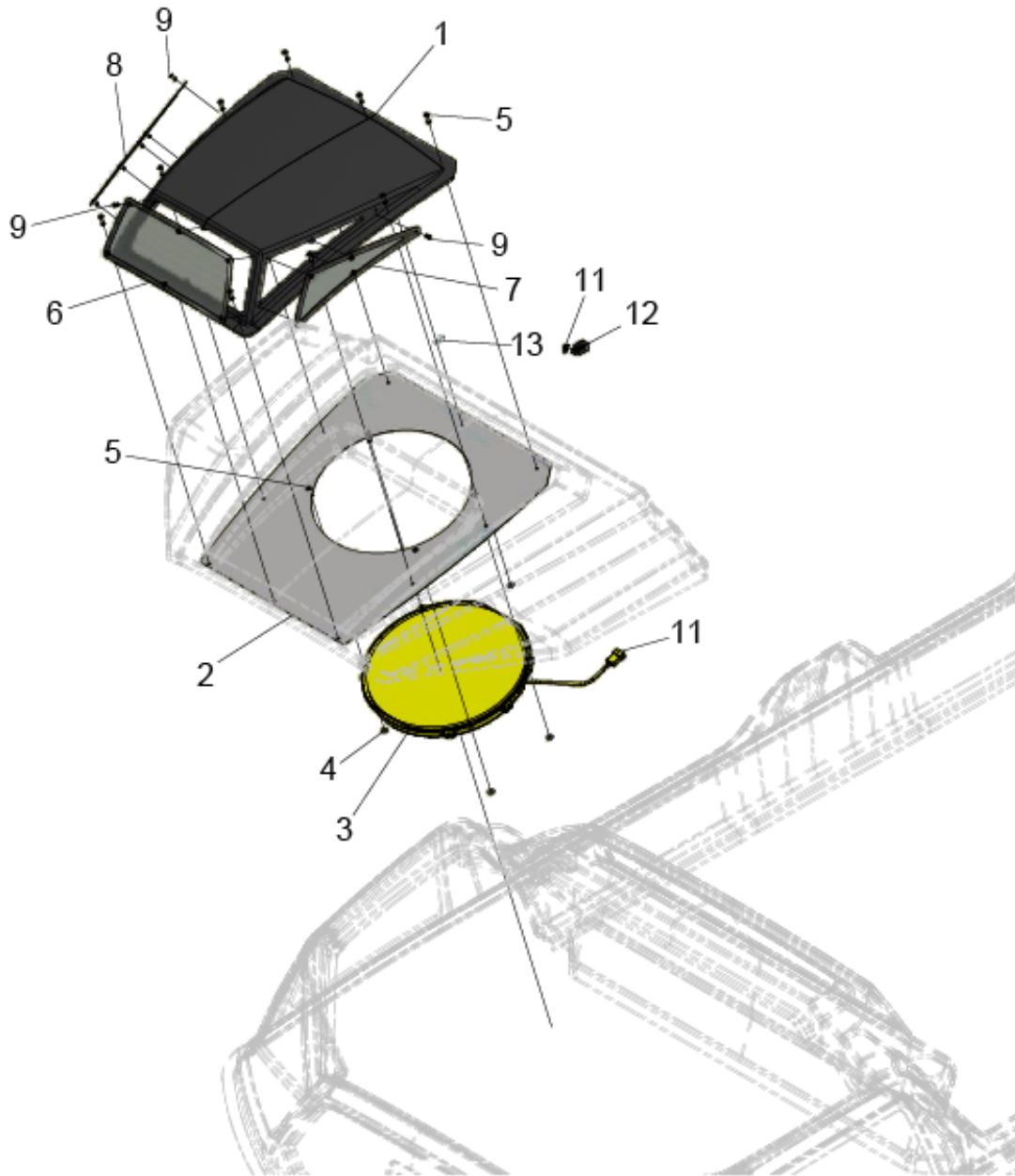
| | | |
|---|--|--------------|
| Fabric: -Polyester Solution dyed 600D PU coating W/R - Foam xolifin 4 lbs Eva 1/8" | | Black |
| Thread: -Bonded nylon, TEX 70 | | 3 yams Black |
| 1 Tyvek (1x) | | |
| 2 Webbing Material: Polypropylene a) Width: 25mm (1") b) Width: 19mm (3/4") | | Black |
| 3 Zipper YKK #5 (1x) 1 slider per zipper STD slider (1x) | | |
| 4 Side squeeze buckle UTX Duraflex Material: Acetal Width: 25mm (1") a) Male (1x)  b) Double female (1x)  | | |
| 5 Stayput fastener (2x) (Shock cord clip)  | | Black |
| 6 Knob (2x) Material: UV stable glass filled nylon and acetyl  | | |
| 7 Torx-Truss M/S M5x25 (2x)  | | |
| 8 Hex. Elastic Flanged nut M5 (2x)  | | |
| 9 SCREW 8-18 X 5/8" (8x)  | | Grey |
| 10 Bow Socket Nylon (4x)  | | Black |
| 11 Aluminum flat bar 1.5" X 1/8 (2x) | | Grey |
| 12 Ratchet (1x) Material: Steel zinc plated  | | Grey |
| 13 Silk-screen logo (1x) | | |

10652C AURORA BILGE PUMP ACC



| Ref. | Qty | Part # | Description |
|------|-----|---------|--------------------------------|
| 1 | 1 | 10650C | BRACKET, BILGE PUMP |
| 2 | 2 | 638-14 | RUBBER BUMPER #315-012 |
| 3 | 2 | 120-31 | RIVET, 3/16" X 1/4", OPEN END |
| 4 | 1 | 638-05 | FLEX HOSE 3/4" x 3' LONG |
| 5 | 1 | 638-08 | HULL FITTING 3/4" |
| 6 | 2 | 10637C | CLAMP, 1-EAR 21.3-24.1 MM |
| 7 | 2 | 120-14 | RIVET - 3/16 x 5/8 BLACK |
| 8 | 1 | 10017B | BILGE PUMP, WITH CONNECTOR |
| 9 | 1 | 613-288 | SWITCH, BILGE PUMP |
| 10 | 4 | 100-102 | TIE WRAP - 14" - WHITE - 50 LB |

10754C FAN ACC, HOOD



| Ref. | Qty | Part # | Description |
|------|-----|-----------|------------------------------|
| 1 | 1 | 10726C | SCOOP, HOOD |
| 2 | 1 | 10747C | PLATE, HOOD FAN |
| 3 | 1 | 953-50 | FAN, HOOD - XT |
| 4 | 5 | 120-04 | WASHER .19x.50x.08 ZINC |
| 5 | 14 | 120-09 | RIVET - 3/16 x 1.0 BLACK |
| 6 | 1 | 10768C | WLDT, HOOD SCREEN, FRONT |
| 7 | 1 | 10769C | WLDT, HOOD SCREEN - LEFT |
| 8 | 1 | 10770C | WLDT, HOOD SCREEN - RIGHT |
| 9 | 16 | 120-11 | RIVET, 5/32 x .157-.472 |
| 10 | 1 | 10763C | HARNES, HOOD FAN |
| 11 | 1 | 10118B200 | FUSE, MINI BLADE 15 AMP |
| 12 | 1 | 118-79 | RELAY, ULTRA MICRO, SPNO 20A |
| 13 | 1 | 126-93 | CLAMP, NYLON WIRE - 1/2" ID |

ARGO Products Manufactured by:

Ontario Drive & Gear Limited

220 Bergey Court
New Hamburg, Ontario
Canada N3A 2J5
(519) 662-2840
www.argoxtv.com

ODG *Dedicated to quality and performance*