



Accessory Manual

Ontario Drive & Gear Limited
220 Bergey Court
New Hamburg, Ontario N3A 2J5
Phone: (519) 662-2840 Fax: (519) 662-2421
www.ARGOatv.com

Foreword

ODG has prepared this Accessory Manual to assist Argo retailers in selecting the correct replacement parts for Argo accessories.

Packaging sizes and shipping weights for the complete accessory kits is also provided for each accessory item.

All information contained in this Accessory Manual is based on the latest product specification available at time of printing. Product update information and new accessory kit information will be provided as it becomes available. This information will be provided in the form of insertion or replacement pages to be inserted in this manual.

ODG reserves the right to alter specifications of any of the accessory items at any time, without obligation or prior notification.

Reproduction of this Accessory Manual No. 677-01, in part or in whole, is prohibited without prior written permission from Ontario Drive & Gear Limited.

Explanation of Manual Format

- | | |
|--------------------|---|
| Ref | - reference number given on the parts drawing to identify the component |
| Part No. | - Argo replacement part number for identification and ordering |
| Description | - part description for identification and ordering |
| Qty | - indicates the quantity of a part number used in the accessory kit |

Parts not illustrated are not sold separately.



INDEX

- 602-71 Hood Fan Assembly - Avenger/HDi Models
- 602-75 Hood Fan Assembly - Frontier Models
- 614-06 Cargo Tie Down Rings
- 615-10 Tire Chains (1 Pair)
- 615-43 Standard Tracks
- 617-09 Outboard Motor Bracket - Side Mount - Frontier
- 617-10 Outboard Motor Bracket - Side Mount - Avenger
- 619-10 Tire Gauge (0-15 PSI)
- 621-21 Storage Cover
- 621-35 Pouch
- 622-96 Receiver Winch
- 622-104 Winch Mounting Assembly
- 622-105 Winch - Avenger
- 622-110 Winch - Frontier
- 622-142/622-143 Winch (Warn PV3500)
- 624-10 Brake Tailights - Avenger & Frontier
- 624-26 Brake Light Assembly - HDi
- 625-10 Rear Mud Flaps
- 625-20 Ice Cleats (6x6) Super Tracks only
- 625-43 Super Tracks
- 625-50 Rubber Tracks
- 632-15 Hourmeter
- 633-10 Voltmeter
- 638-02 Oil Change Pump
- 638-40 Bilge Pump - Avenger & Frontier
- 639-26 Handrails - Frontier
- 642-00 Tow Hook
- 642-49 Brush Guard - Avenger
- 642-50 Brush Guard - Frontier
- 642-80 Brush Guard Assembly
- 642-85 Brush Guard Assembly
- 648-15 Light Bar Kit - 6x6
- 648-47 Roll Over Protective Structure (ROPS)
- 648-79 Windshield - Frontier
- 648-80 Windshield - Avenger
- 648-90 Roll Bar Light Kit
- 648-91 Windshield Wiper
- 648-92 Argo Auxiliary Light Accessory
- 649-51 Convertible Top - Frontier
- 657-21 (HDi, Avenger & Frontier) Snowplow
- 663-12 Skid Plate - Frontier
- 668-06 Neutral Start
- 815-42K Standard Tracks
- 821-25 Utility Bracket
- 821-35 Utility Rack
- 821-40 Storage Cover
- 825-20 Ice Cleats
- 825-21 Ice Cleats
- 825-42K Super Tracks
- 825-50-1 & 825-50-1-NE Rubber Tracks
- 825-55-1 Rubber Track Hinge
- 839-30 Handrails - Avenger
- 839-35 Handrails - Frontier
- 848-170 Heater - Avenger/HDi
- 848-171 Windshield - HDi/Avenger
- 848-173 Entry Step
- 848-195 Intake Debris Screen
- 848-200 Vertical Gun Rack
- 849-40 (Black) Convertible Top
- 849-45 (Black) Convertible Half Top
- 849-51 Convertible Top (8x8 Frontier 650)
- 849-80 Rear Bench Seat
- 849-90-2, 849-90-4 Roll Over Protective Structure (ROPS)
- 850-54 Alternator
- 850-98 Parking Brake Service Assembly
- 850-99 Backup Alarm
- 850-100 Stretcher Frame
- 850-101 Basket Carrier Assembly
- 850-213FR8/FR8-1 Chain Oil Lube System
- 850-213HD6/HD6-1 Chain Oil Lube System
- 850-213HD8/HD8-1 Chain Oil Lube System
- 850-242 Battery Shut Off Switch
- 850-285 Whelen Folding Light Bar
- 850-300 Frame Assembly Stretcher
- 850-305 Whelen Light Bar Light
- 850-306 - Backrest - SAR
- 863-26 Hard Top Accessory
- 864-01 HD Service Brake Cooling Accessory
- 865-00 Helicopter Lift Assembly
- 866-01 Bedliner
- 867-01 Gas Can Carrier
- 868-01 Spare Tire Carrier
- 959-10 Universal Mount
- Amphibious Trailer
- 8 Wheel Trailer



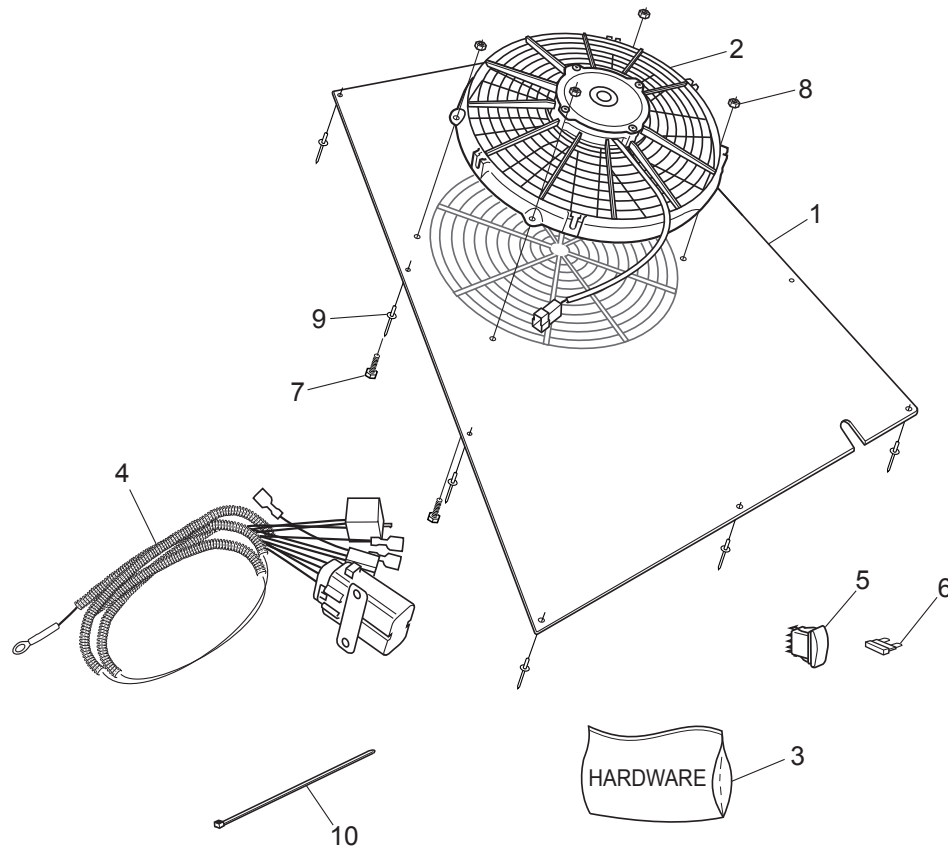
ARGO ACCESSORIES	6x6		8x8			
	Frontier EFI	750 HDi	Frontier EFI	700 HD	750 EFI 750 HDi	750 HDi SE
COMFORT						
Convertible Top	649-51	649-51	849-51	849-40	849-40	849-40
Convertible Half Top	N/A	N/A	N/A	849-45	849-45	849-45
Heater	N/A	N/A	N/A	848-170	848-170	848-170
Rear Bench Seat	N/A	N/A	849-80	849-80	849-80	849-80
Suspension Seats	N/A	N/A	N/A	Factory Installed	Option	incl.
Windshield	648-79	648-79	648-79	848-171	848-171	848-171
Windshield Wiper	648-91	648-91	648-91	648-91	648-91	648-91
CONVENIENCE						
Alternator	N/A	N/A	N/A	850-54	850-54	incl.
Auto Chain Lubrication System - 1 Hour 15 min.	N/A	850-213HD6-1 850-213HD6	850-213HD8-1 850-213HD8	850-213HD8-1 850-213HD8	850-213HD8-1 850-213HD8	850-213HD8-1 850-213HD8
Cargo Tie Down Rings	614-06	614-06	614-06	614-06	614-06	614-06
Entry Step	N/A	N/A	848-173	848-173	848-173	incl.
Gas Can Holder	867-01	867-01	867-01	867-01	867-01	867-01
Gun Rack (Sure Grip)	848-200	848-200	848-200	848-200	848-200	848-200
Handrails	639-26	639-26	839-35	839-30	839-30	839-30
Helicopter Lift Kit	865-00	865-00	865-00	865-00	865-00	865-00
Mounting Ass'y (Brushguard/Winch)	622-107	622-107	622-108	622-108	622-108	incl.
Outboard Motor Bracket	617-09	617-09	617-10	617-10	617-10	617-10
Power Winch	622-143	622-143	622-142	622-142	622-142	622-105SE
Receiver Winch (Wiring & Rear Hitch)	622-96	622-96	622-96	622-96	622-96	622-96
Remote Control (Winch)	622-137	622-137	622-137	622-137	622-137	622-137
Snow Plow	657-21	657-21	657-21	657-21	657-21	657-21
Spare Tire Carrier	868-01	868-01	868-01	868-01	868-01	868-01
Tow Hook	642-00	642-00	642-00	642-00	642-00	incl.
Trailer	CONTACT RETAILER FOR OPTIONS					
Universal Mounting System	N/A	N/A	959-10	959-10	959-10	959-10
Utility Bracket	821-25	821-25	821-25	821-25	821-25	N/A
Utility Rack	821-35	821-35	821-35	821-35	821-35	N/A
Utility Storage Pouch	621-35	621-35	621-35	621-35	621-35	621-35
PROTECTION						
Battery Shut Off	850-242	850-242	850-242	850-242	850-242	850-242
Bilge Pump	638-40	638-40	638-40	638-40	638-40	638-40
Brake Cooling Fan	602-75	N/A	602-75	864-01	864-01	864-01
Brake / Tail Lights	624-10	624-26	624-10	624-26	624-26	incl.
Brush Guard	642-50	642-50	642-50	642-49	642-49	incl.
Brush Guard for ROPS	642-80	642-80	642-80	642-80	642-80	N/A
Cargo Bedliner	N/A	N/A	866-01	866-01	866-01	N/A
Debris Screen	N/A	N/A	N/A	848-195	848-195	848-195
Fog Lights	648-92	648-92	648-92	648-92	648-92	648-92
Hood Fan	602-75	602-75	602-75	602-71	602-71	602-71



ARGO ACCESSORIES	6x6		8x8			
	Frontier EFI	750 HDi	Frontier EFI	700 HD	750 EFI 750 HDi	750 HDi SE
Mudflaps	N/A	N/A	625-10	625-10	625-10	625-10
Reverse Back-up Alarm Kit	850-99	850-99	850-99	850-99	850-99	850-99
Roll Bar	648-15	648-15	N/A	N/A	N/A	N/A
Roll Bar Lights	648-90	648-90	N/A	N/A	N/A	N/A
Roof	N/A	N/A	863-26	863-26	863-26	863-26
ROPS c/w 2 Seat Belts	648-47	648-47	849-90-2	849-90-2	849-90-2	N/A
ROPS & Rear Bench Seat	N/A	N/A	849-90-4	849-90-4	849-90-4	N/A
Skid Plate	663-12	incl.	863-13	incl.	incl.	incl.
Storage Cover	621-21	621-21	821-40	821-40	821-40	821-40
TRACKS						
18" (457 mm) Rubber Tracks	625-50	625-50	825-50-1	825-50-1	825-50-1	825-50-1
13" (330 mm) Standard Tracks	615-43	615-43	815-42K	815-42K	815-42K	815-42K
18" (457 mm) Super Tracks	625-43	625-43	825-42K	825-42K	825-42K	825-42K
Super Track Ice Cleats	625-20	625-20	825-20	825-20	825-20	825-20
Rubber Track Ice Cleats	N/A	N/A	825-21	825-21	825-21	825-21
SEARCH & RESCUE						
Stretcher Frame	N/A	N/A	850-310	850-300	850-300	N/A
Basket Mount Adapter	N/A	N/A	N/A	850-101	850-101	N/A
Stretcher - Ferno #9	N/A	N/A	N/A	015-3204ARG	015-3204ARG	N/A

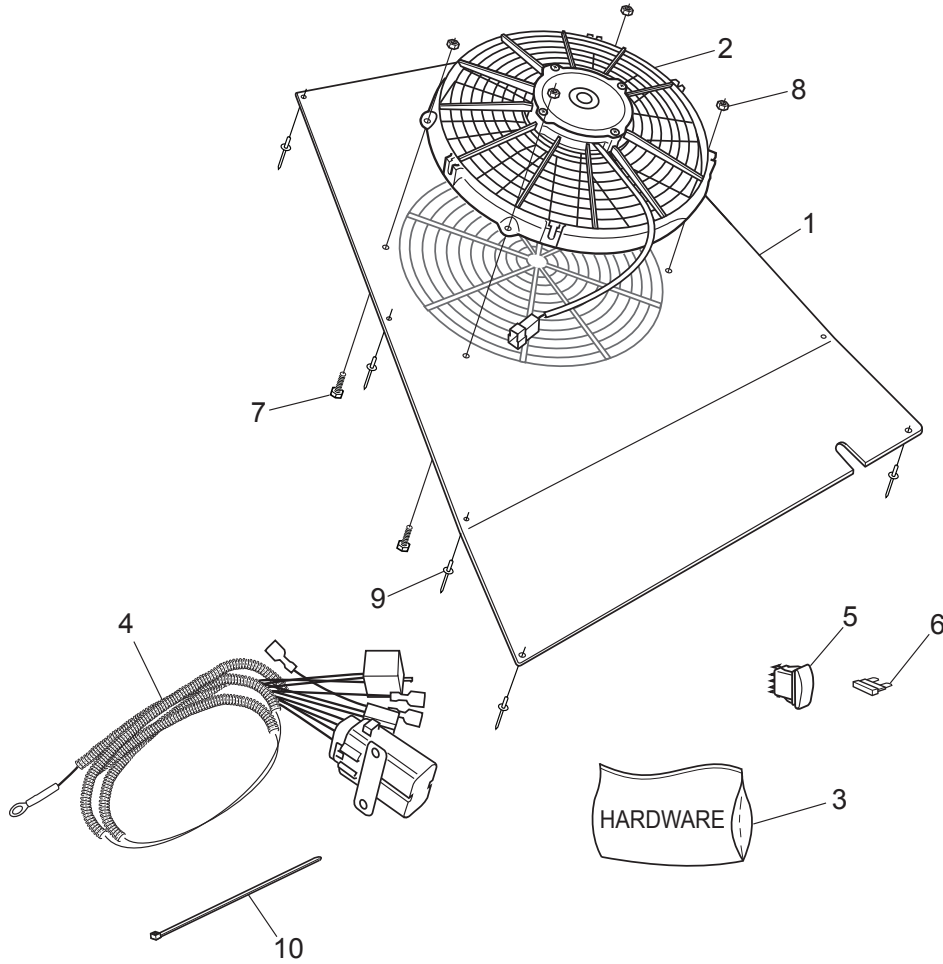


602-71 Hood Fan Assembly - Avenger/HDi Models



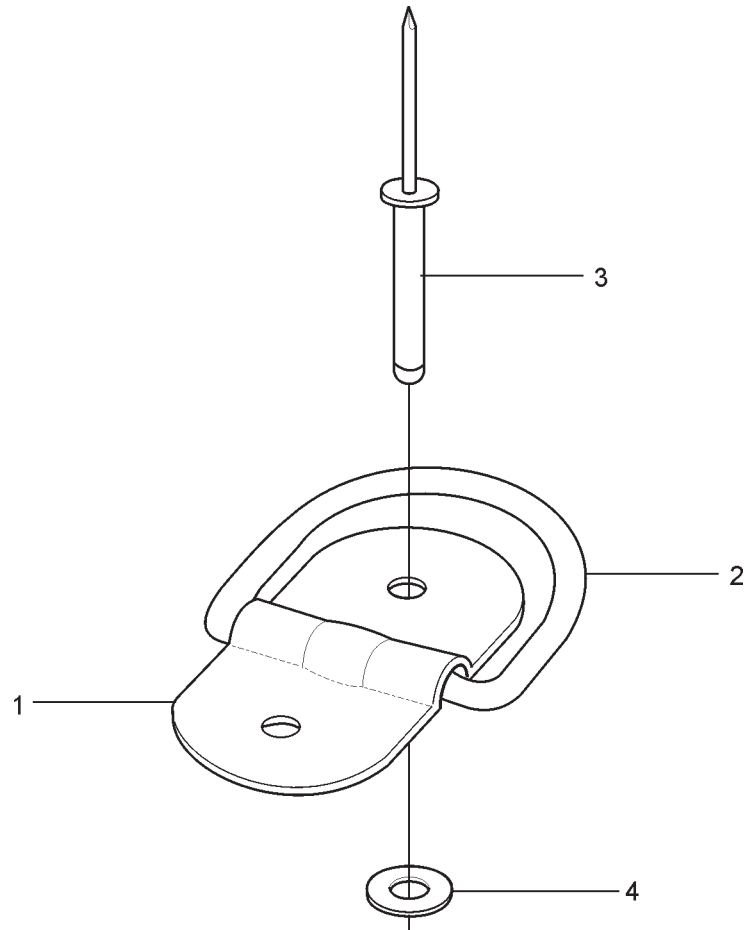
Ref.	Qty.	Part #	Description
1	1	602-72	Mount, Hood Fan - Avg
2	1	602-73	Fan, Hood - Avg
3	1	602-71HDW	Hardware - Hood Fan Accessory
4	1	613-229	Wire Harness, Relay, Hood Fan
5	1	613-202	Switch, Hood Fan
6	1	118-78	Fuse, 15A, Mini
7	4	112-04	HHCS 1/4-20x3/4 Gr5 Zn
8	4	117-82	Locknut, Flange 1/4-20 Zn
9	16	120-13	Rivet - 3/16 x 3/4 Black
10	2	100-64	Tie Wrap - 5.5" - Black
11	1	118-65	Terminal, Female Blade
12	2	120-11	Rivet, 5/32 x .157-.472

602-75 Hood Fan Assembly - Frontier Models



Ref.	Qty.	Part #	Description
1	1	602-74	Mount, Hood Fan - Frontier
2	1	602-73	Fan, Hood - Avg
3	1	602-75HDW	Hardware, Acc, Hood Fan - Frontier
4	1	613-229	Wire Harness, Relay Hood Fan
5	1	613-202	Switch, Hood Fan
6	1	118-78	Fuse, 15A Mini
7	4	112-04	HHCS 1/4-20x3/4 Gr5 Zn
8	4	117-82	Locknut, Flange 1/4-20 Zn
9	8	120-13	Rivet - 3/16 x 3/4 Black
10	2	100-64	Tie Wrap - 5.5" - Black
11	1	118-65	Terminal, Female Blade
12	1	118-32	Terminal, 1/4" Male 22-18 AWG
13	2	120-11	Rivet, 5/32 x .157-.472

614-06 Cargo Tie Down Rings

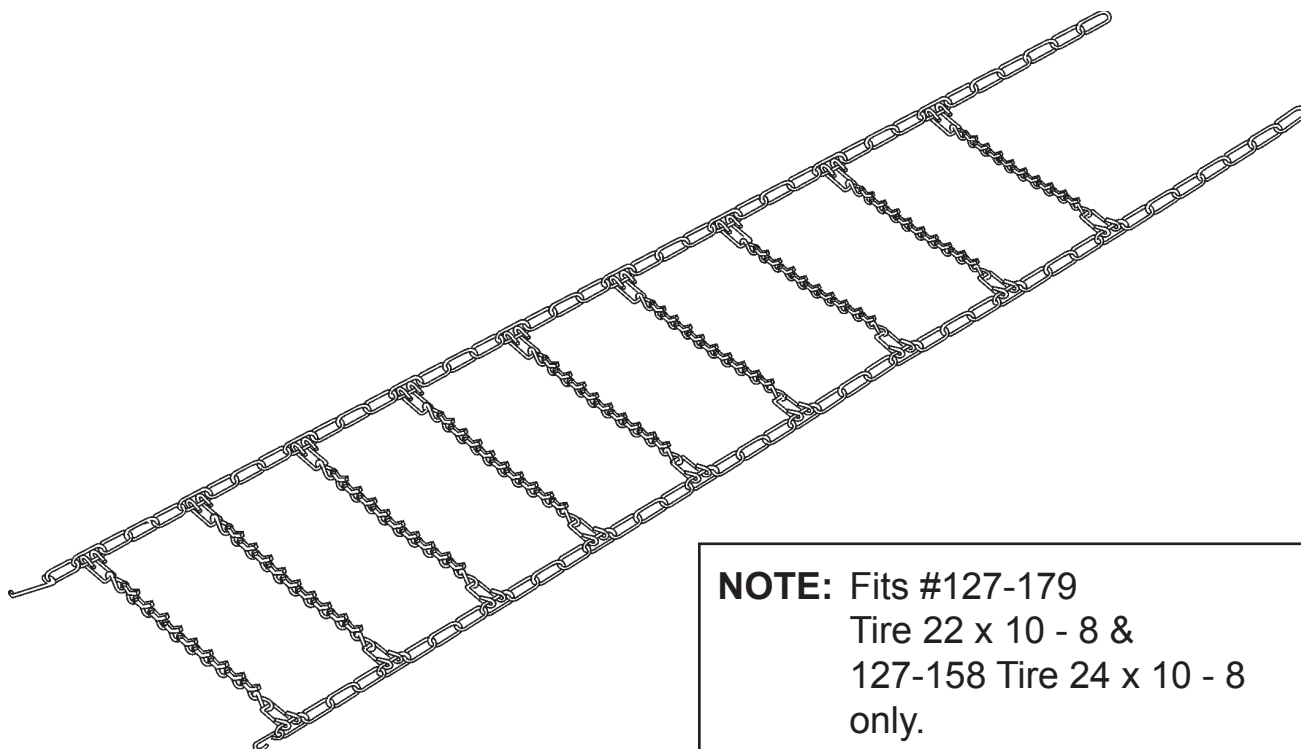


Ref.	Qty.	Part #	Description
1	6	614-04	Bracket, Tie Down
2	6	614-05	Ring, "D" - Tie Down
3	12	120-09	Rivet 3/16 x 1
4	12	120-05	Washer .195 x .500 x .40 Zn

Shipping Weight and Dimensions

1 Package - Dimensional Weight: 1 lb.; Dimensions: 6"x 5"x 1"; Actual Weight: 1 lb.

615-10 Tire Chains (1 Pair)

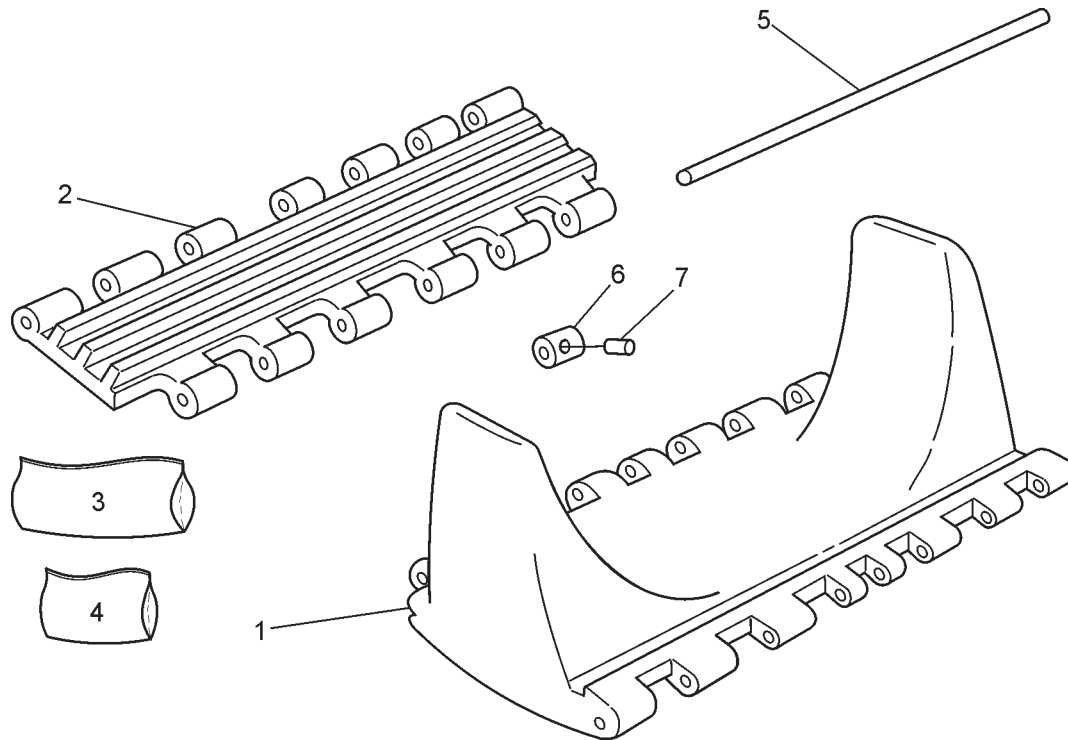


Ref.	Qty.	Part #	Description
1	2	615-10	Tire Chain

Shipping Weight and Dimensions

1 Box - Dimensional Weight: 2 lbs.; Dimensions: 13"x 6"x 3-1/2"; Actual Weight: 13 lbs.

615-43 Standard Tracks



Ref.	Qty.	Part #	Description
1	62	615-42	Track Segment - Standard
2	2	615-21	Half Segment
3	1	615-02-6	Track Pin Set (66 pcs.) - 6x6
4	1	615-12-6	Bushing Set (66 pcs.) - 6x6 c/w Set Screws (68 pcs.)

Extra parts included:

615-02 pins (5), 615-12 lock bushing (6) and 112-68 SHSS 1/4"-20 x 1/4" (7) for future replacement.

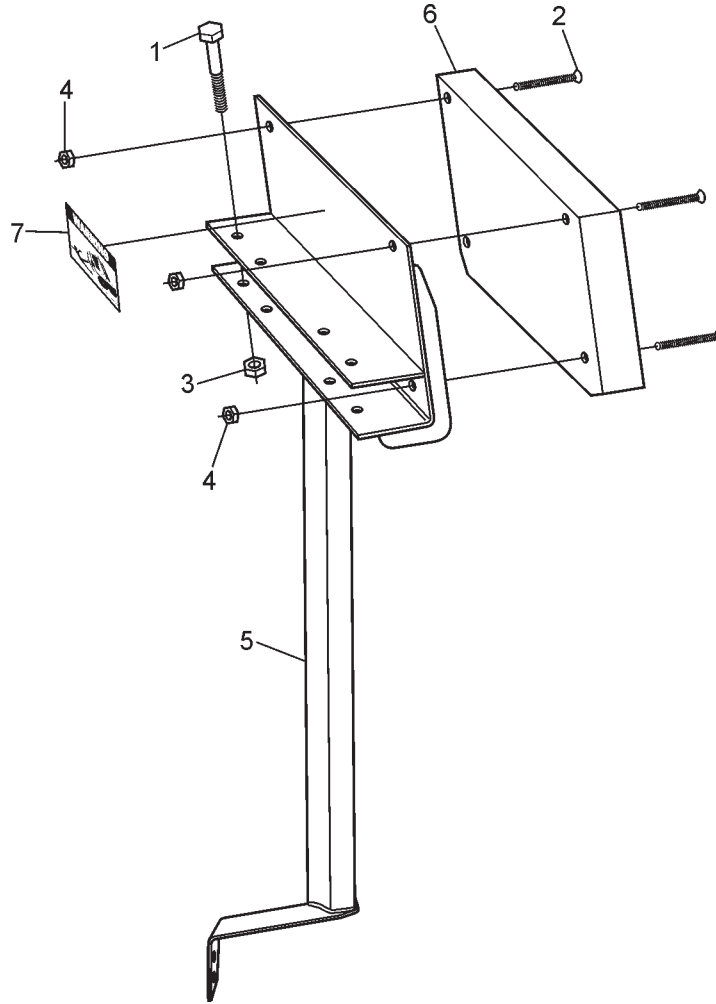
Shipping Weight and Dimensions

615-43

4 Boxes - 615-42 Track - Dimensional Weight: 38 lbs. each; Dimensions: 22" x 20" x 14" each;
Actual Weight: 26 lbs. each

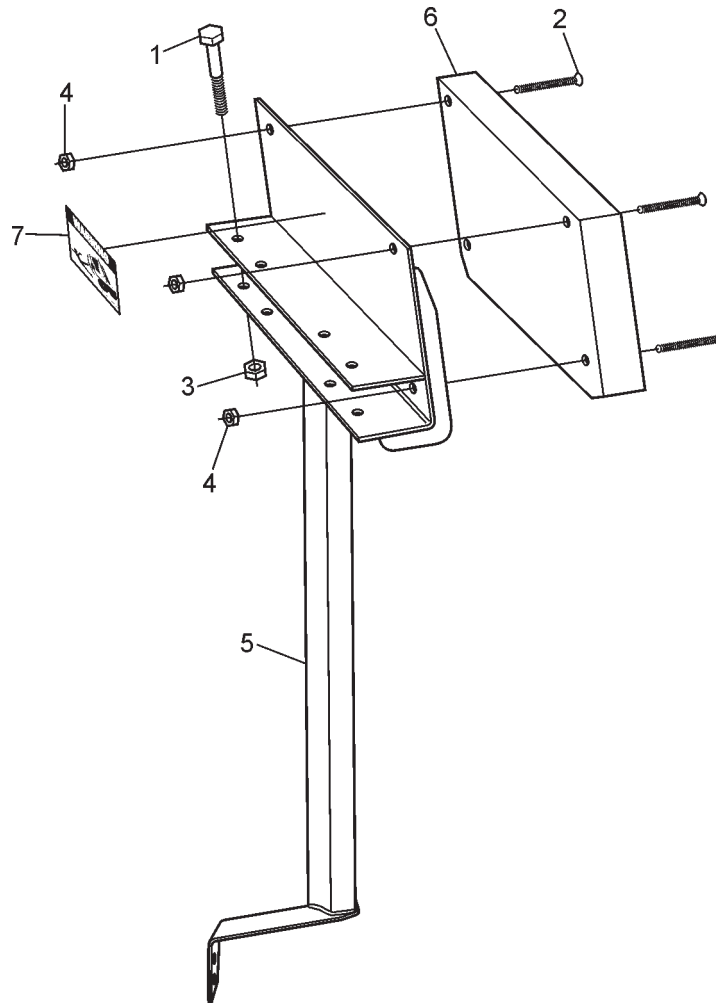
1 Box (10 pcs. 615-42, 1 pc. 615-02-6, 1 pc. 615-12-6, 2 pcs. 615-21) - Dimensional Weight: 38 lbs.;
Dimensions: 22" x 20" x 14"; Actual Weight: 30 lbs.

617-09 Outboard Motor Bracket - Side Mount - Frontier



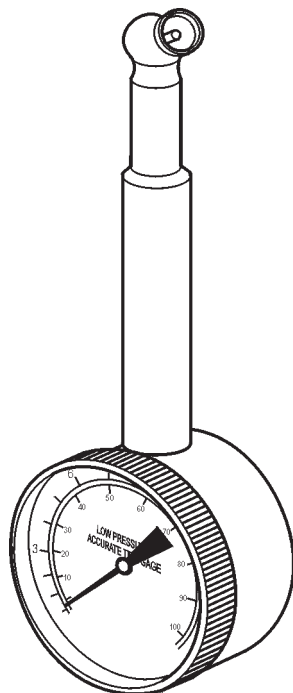
Ref.	Qty.	Part #	Description
1	4	103-68	HHCS 3/8-16x2.0 Gr5 Zn
2	4	103-98	FHMS, Slot 1/4-20x2.0 Zn
3	4	117-29	Locknut, Nylon 3/8-16 Zn
4	4	117-27	Locknut, Nylon 1/4-20 Zn
5	1	617-08	Bracket, Support-ASM-Weld
6	1	618-11	Block, Mounting
7	1	618-21	Label, Warning

617-10 Outboard Motor Bracket - Side Mount - Avenger



Ref.	Qty.	Part #	Description
1	4	103-68	HHCS 3/8-16x2.0 Gr5 Zn
2	4	103-98	FHMS, Slot 1/4-20x2.0 Zn
3	4	117-29	Locknut, Nylon 3/8-16 Zn
4	4	117-27	Locknut, Nylon 1/4-20 Zn
5	1	617-11	Bracket, Support-ASM-Weld
6	1	618-11	Block, Mounting
7	1	618-21	Label, Warning

619-10 Tire Gauge (0-15 PSI)



Ref.	Qty.	Part #	Description
1	1	619-10	Tire Gauge

Shipping Weight and Dimensions

1 Piece - 9" x 4" x 2"; Actual Weight 1 lb.

Ontario Drive & Gear
www.ARGOatv.com



621-21 Storage Cover (Not for Highway Use)



Ref.	Qty.	Part #	Description
1	1	621-21	Storage Cover - 8 Wheel shown

Shipping Weight and Dimensions

621-21

1 Piece - Dimensional Weight: 11 lbs.; Dimensions: 16" x 16" x 7"; Actual Weight: 4 lbs.

621-35 Pouch

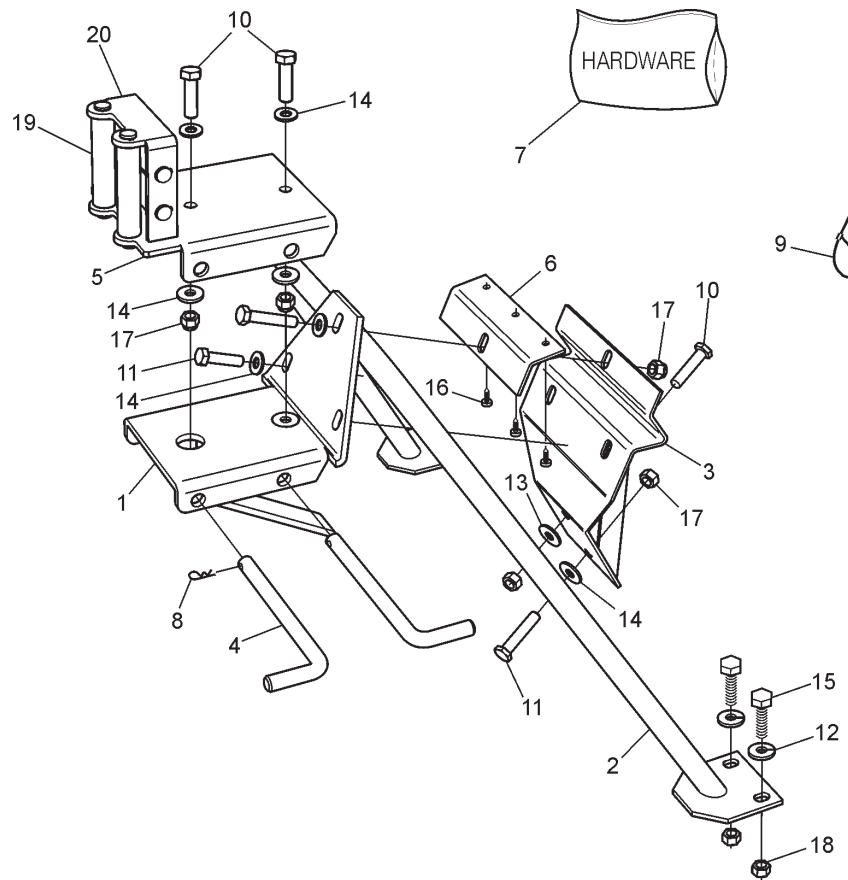


Ref.	Qty.	Part #	Description
1	1	621-35	Pouch

622-96 - Receiver Winch

Ref.	Qty.	Part #	Description
1	1	622-93	Receiver, Rear Winch Avg
2	1	622-116	Wire Harness, Receiver Winch
3	2	100-64	Tie Wrap - 5.5" - Black
4	2	112-126	HHCS M3x0,5x30 CL 8.8 Zn
5	2	117-78	Locknut, Nylon M3x 0.5" Zn
6	2	125-84	Grommet, Rubber
7	4	120-04	Washer .19x.50x.08 Zn
8	4	120-09	Rivet - 3/16 x 1.0 Black
9	4	127-287	Clamp, Nylon Wire - 3/4" ID
10	2	613-46	Terminal, Insulator
11	1	118-72	Connector Housing, Anderson

622-104 Winch Mounting Assembly

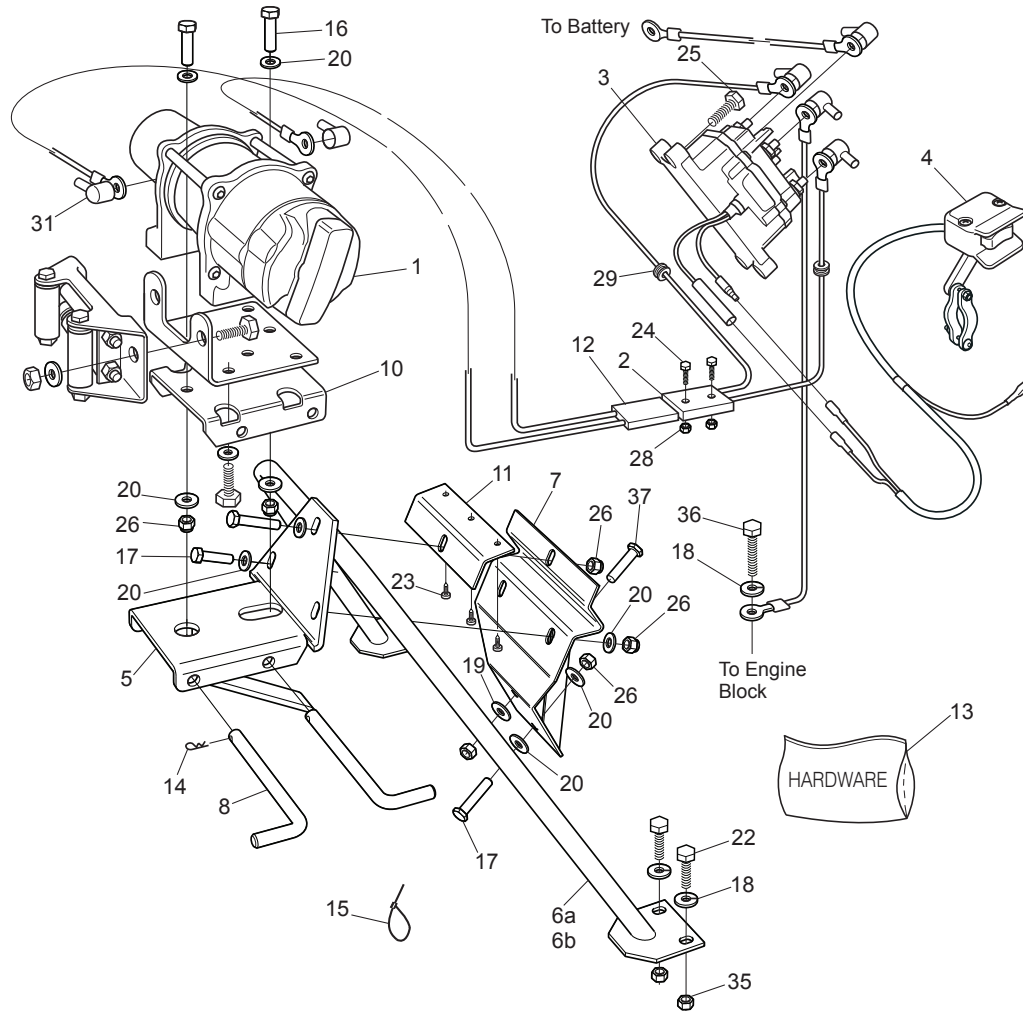


Ref.	Qty.	Part #	Description
1	1	622-69	Receiver Ass'y, Front Winch
2	1	622-101	Hoop Ass'y, Winch - Frontier
3	1	622-83	Bracket, Body Support - Winch
4	2	622-85	Release Pin, Receiver Winch
5	1	622-89	Fairlead, Weldment
6	1	622-99	Hoodframe Support Bracket, Winch
7	1	622-80HDW	Hardware Kit - includes the following:
8	2	100-16	Clip, Hitch Pin 1.625 Zn
9	4	100-64	Tie Wrap - 5.5" Black
10	3	103-34	HHCS 3/8-16 x 1.25 Gr5 Zn
11	4	103-82	HHCS 3/8-16 x 1.5 Gr5 Zn
12	4	108-05	Lockwasher 5/16 Split Ring Zn
13	1	108-18	Washer .40 x 1.37 x .12 Zn
14	12	108-47	Washer .39 x .94 x .13 Zn Di-Chro
15	4	112-01	HHCS 5/16-18 x 3/4 Gr5 Zn
16	3	112-102	Screw, Self Drill 12-14 x 3/4"
17	7	117-29	Locknut, Nylon 3/8-16 Zn
18	4	117-03	Nut, Fin Hex 5/16-18 Zn
19	4	622-53	Roller, Fairlead
20	4	622-54	Shaft, Fairlead

Additional Hardware for Mounting Winch - not illustrated (Part of Hardware Kit)

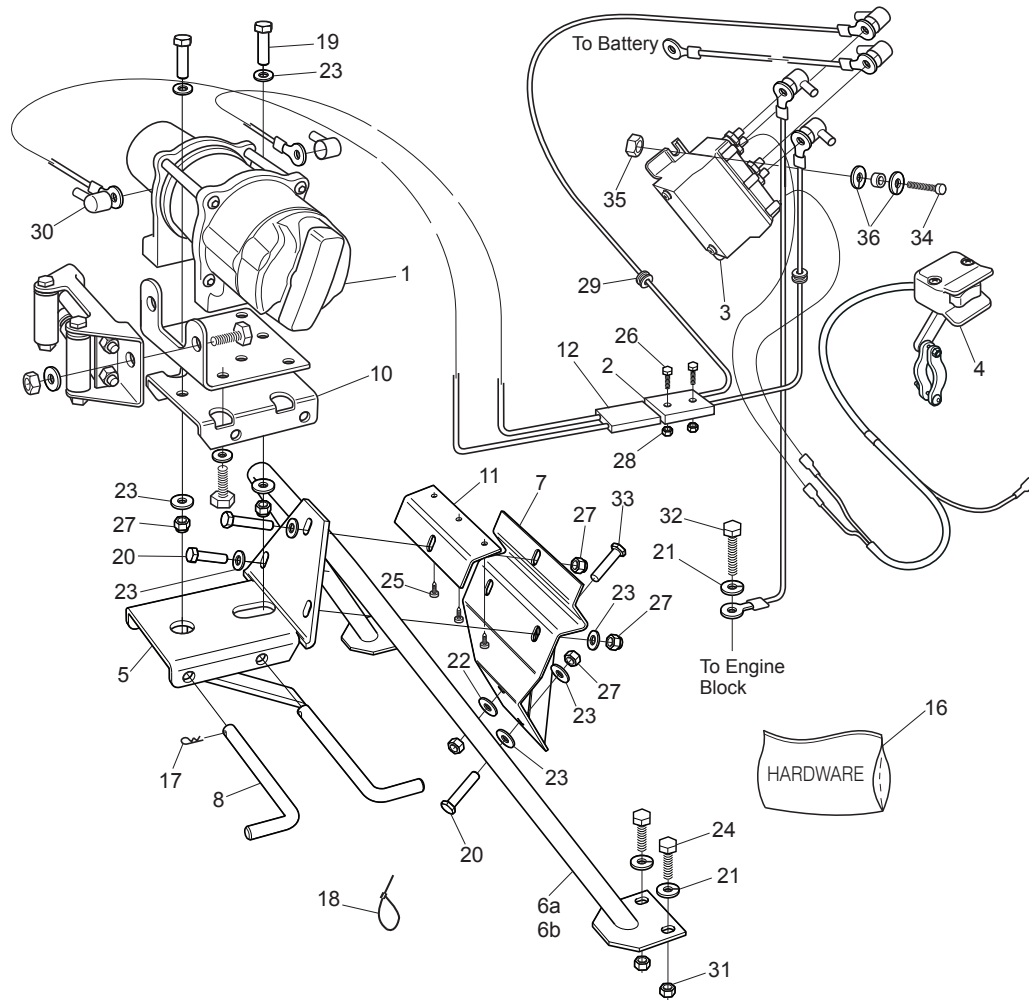
2	108-59	Lockwasher #10 Int. Tooth Zn
2	112-126	HHCS M3 x 0,5 x 30 CI 8.8 Zn
2	112-19	Screw, IHWH T/C Slot 1/4-20 x1/2
2	117-59	Nut, Hex Machine #10-32 Zn
2	117-78	Locknut, Nylon M3 x 0.5" Zn
2	125-84	Grommet, Rubber
5	613-45	Insulator, Terminal 6 Ga.
1	112-20	HHCS M8 x 1,25 x 25mm Zn

622-105/622-110 Winch



Ref.	Qty.	Part #	Description	Ref.	Qty.	Part #	Description
1	1	622-103	Winch RT30 c/w 50' Cable + 30' Strap includes Ref. 2,3,4,5	17	4	103-82	HHCS 3/8-16 x 1.5 Gr5 Zn
2	1	622-109	Wire Harness, Winch	18	5	108-05	Lockwasher 5/16 Split Ring Zn
3	1	622-113	Solenoid, Reversing - Warn	19	1	108-18	Washer .40x1.37x.12 Zn
4	1	622-114	Switch Asm, Winch Toggle - Warn	20	12	108-47	Washer .39x.94x.13 Zn Di-Chro
5	1	622-112	Receiver Ass'y, Front Winch	22	4	112-01	HHCS 5/16-18x3/4 Gr5 Zn
6a	1	622-81	Hoop Ass'y, Winch - Avenger	23	3	112-102	Screw, Self Drill 12-14x3/4"
6b	1	622-101	Hoop Ass'y, Winch - Frontier	24	2	112-126	HHCS M3x0,5x30 CI 8.8 Zn
7	1	622-83	Bracket, Body Support - Winch	25	2	103-72	Screw, IHWH T/C Slot 1/4-20 x 3/4
8	2	622-85	Release Pin, Receiver Winch	26	7	117-29	Locknut, Nylon 3/8-16 Zn
10	1	622-111	Plate, Winch Mount	28	2	117-78	Locknut, Nylon M3x0.5" Zn
11	1	622-99	Hoodframe Support Bracket, Winch	29	2	125-84	Grommet, Rubber
12	2	810-107	Connector, Two Wire - 6 Gauge	31	5	613-45	Insulator, terminal 6 Ga.
13	1	622-110HDW	Hardware Kit - includes the following:	35	4	117-03	Nut, Fin Hex 5/16-18 Zn
14	2	100-16	Clip, Hitch Pin 1.625 Zn	36	1	112-20	HHCS M8x1,25x25mm Zn
15	4	100-64	Tie Wrap - 5.5" Black	37	1	103-17	HHCS 3/8-16 x 1.0 Gr5 Zn
16	2	103-34	HHCS 3/8-16 x 1.25 Gr5 Zn				

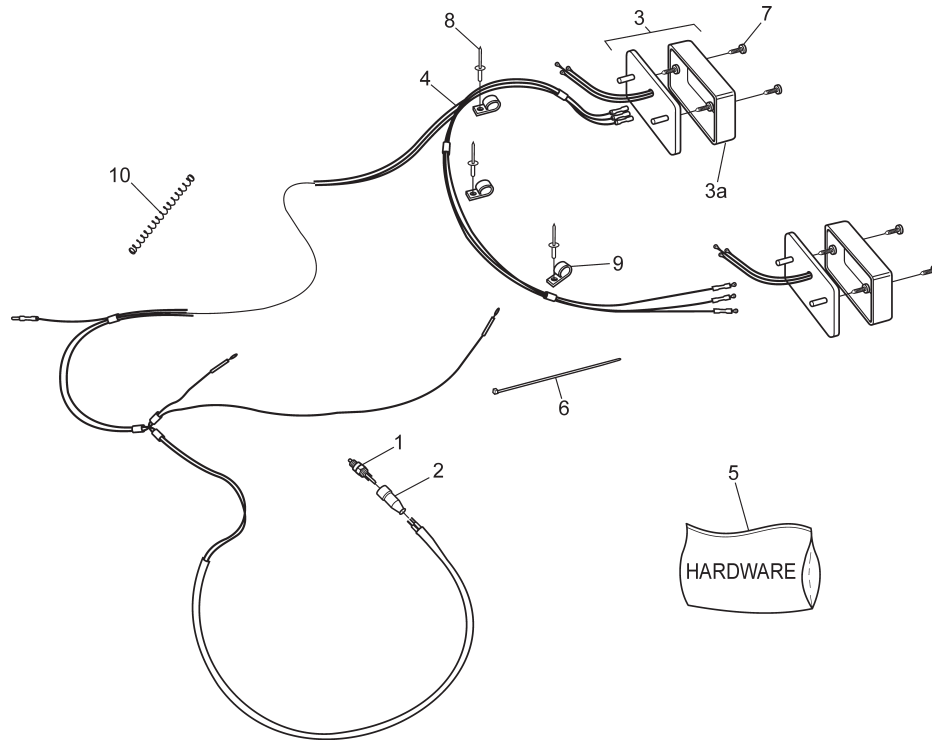
622-142/622-143 Winch



Ref.	Qty.	Part #	Description	Ref.	Qty.	Part #	Description
1	1	622-138	Winch, Pro Vantage 3500, Warn includes Ref. 2,3,4,5	22	1	108-18	Washer .40 x 1.37 x .12 Zn
2	1	622-109	Wire Harness, Winch	23	12	108-47	Washer .39x.94x.13 Zn Di-Chro
3	1	622-141	Solenoid, Winch - Warn	24	4	112-01	HHCS 5/16-18x3/4 Gr5 Zn
4	1	622-139	Switch, Winch Toggle- Warn	25	3	112-102	Screw, Self Drill 12-14 x3/4"
5	1	622-112	Receiver Ass'y, Front Winch	26	2	112-126	HHCS M3 x 0,5 x 30 Cl 8.8 Zn
6a	1	622-81	Hoop Ass'y, Winch - 8x8	27	7	117-29	Locknut, Nylon 3/8-16 Zn
6b	1	622-101	Hoop Ass'y, Winch - 6x6	28	2	117-78	Locknut, Nylon M3 x 0.5" Zn
7	1	622-83	Bracket, Body Support - Winch	29	2	125-84	Grommet, Rubber
8	2	622-85	Release Pin, Receiver Winch	30	5	613-45	Insulator, terminal 6 Ga.
10	1	622-111	Plate, Winch Mount	31	4	117-03	Nut, Fin Hex 5/16-18 Zn
11	1	622-99	Hoodframe Support Bracket, Winch	32	1	112-20	HHCS M8 x 1,25 x 25mm Zn
12	2	810-107	Connector, Two Wire - 6 Gauge	33	1	103-17	HHCS 3/8-16 x 1.0 Gr5 Zn
13	1	118-02	Terminal, Male - #76-1251	34	2	112-07	RHMS 10-24x1.50 Zn
14	1	118-03	Terminal, Female - #76-1289	35	2	117-10	Locknut, 10-24 N/I Zn
16	1	622-142HDW	Hardware Kit - includes the following:	36	4	120-05	Washer .19x.50x.04 Zn
17	2	100-16	Clip, Hitch Pin 1.625 Zn				
18	4	100-64	Tie Wrap - 5.5" Black				
19	2	103-34	HHCS 3/8-16 x 1.25 Gr5 Zn				
20	4	103-82	HHCS 3/8-16 x 1.5 Gr5 Zn				
21	5	108-05	Lockwasher 5/16 Split Ring Zn				



624-10 Brake Tailights - Avenger & Frontier

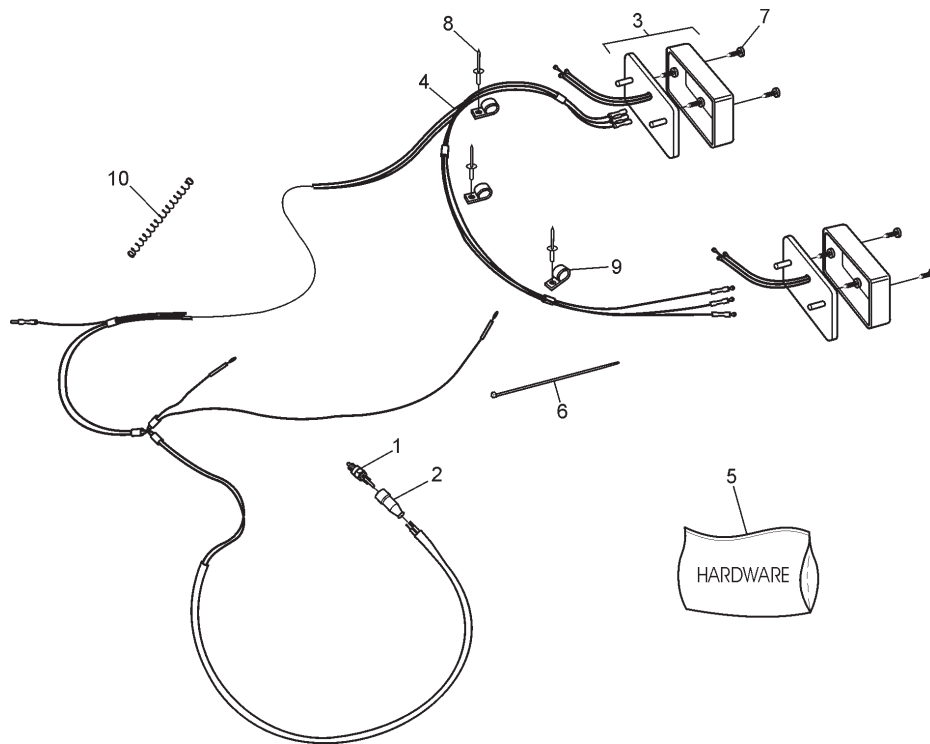


Ref.	Qty.	Part #	Description
1	1	118-66	Switch, Brake Light
2	1	118-67	Boot, Brake Light Switch
3	2	624-06	Light, Brake
3a	2	624-27	Lens, Brake Light
4	1	624-11	Wire Harness, Brake Light
5	1	624-10HDW	Hardware Kit includes the following:
6	6	100-64	Tie Wrap - 5.5" Black
7	4	112-56	T/S Pan Hd Phil #10 x 3/4 A Screw Zn
8	3	120-13	Rivet - 3/16 x 3/4 Black
9	3	126-93	Clamp, Nylon Wire - 1/2" ID
10	1	128-11	Spring, .312 OD x .244 ID x 5.0"
11	2	118-30	Terminal, Eye - #10

Shipping Weight and Dimensions

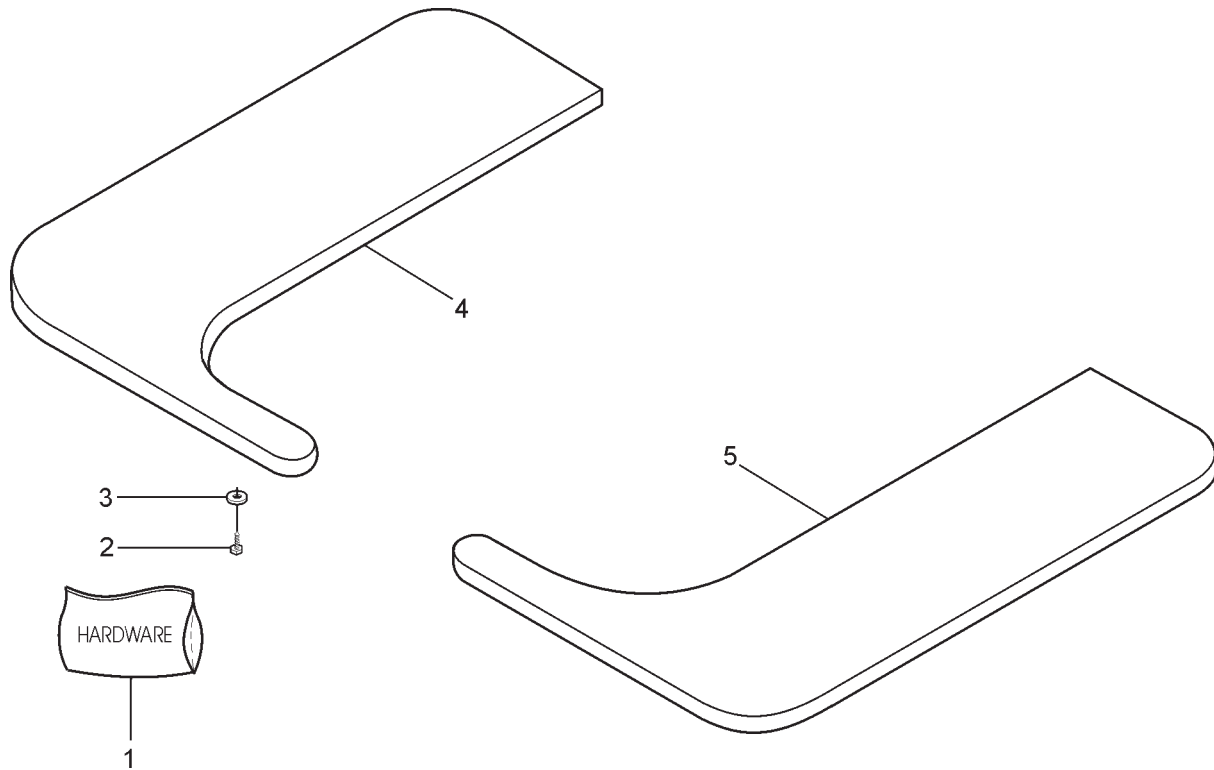
1 Piece - 624-10 Brake Light Kit: Dimensional Weight: 2 lbs.; Dimensions: 10" x 8" x 3.5";
Actual Weight: 2 lbs.

624-26 Brake Light Assembly - HDi



Ref.	Qty.	Part #	Description
1	1	613-165	Switch, Brake Light HDi
2	1	118-67	Boot, Brake Light Switch
3	2	624-06	Light, Brake
4	1	624-11	Wire Harness, Brake Light
5	1	624-10HDW	Hardware Kit includes the following:
6	6	100-64	Tie Wrap - 5.5" Black
7	4	112-56	T/S Pan Hd Phil #10 x 3/4 A Screw Zn
8	3	120-13	Rivet - 3/16 x 3/4 Black
9	3	126-93	Clamp, Nylon Wire - 1/2" ID
10	1	128-11	Spring, .312 OD x .244 ID x 5.0"
11	2	118-30	Terminal, Eye - #10

625-10 Rear Mud Flaps



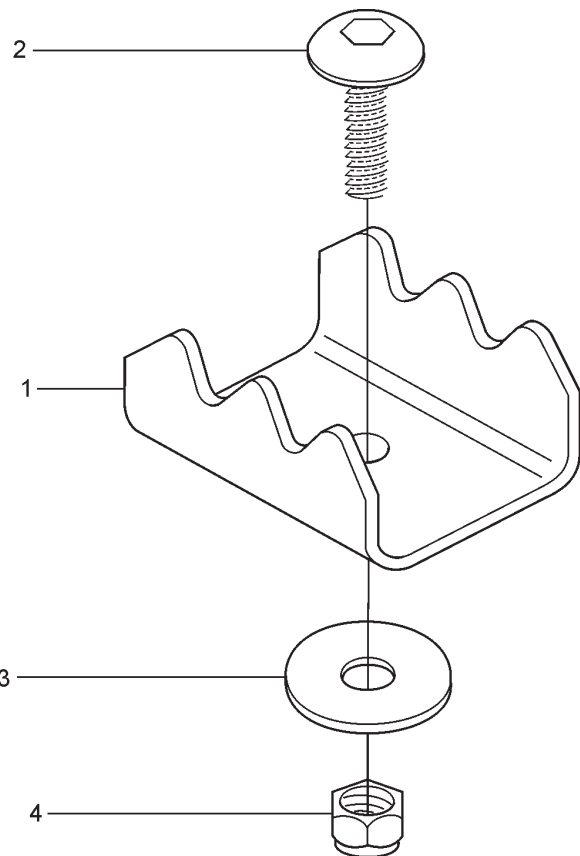
Ref.	Qty.	Part #	Description
1	1	625-10HDW	Hardware, Mud Flap Kit (includes Ref. 2 & 3)
2	15	112-45	THMS PHIL T/S 10" x 1"
3	15	108-42	Flatwasher, 7/32" id x 1" od x 1/16" thk.
4	1	625-11	Mudflap, LH.
5	1	625-12	Mudflap, RH.

Shipping Weight and Dimensions

1 Box - Dimensional Weight: 4.23 lbs.; Dimensions: 38" x 18-1/2" x 1";
Actual Weight: 5 lbs.

625-20 Ice Cleats (6x6)

Fits 6x6 Super Tracks



Ref.	Qty.	Part #	Description
1	28	625-21	Ice Cleat
2	28	112-33	BHCS 3/8-16 x .875 Gr8
3	28	108-26	Washer .43 x 1.02 x .09 Zn
4	28	117-14	Locknut, Centre 3/8-16

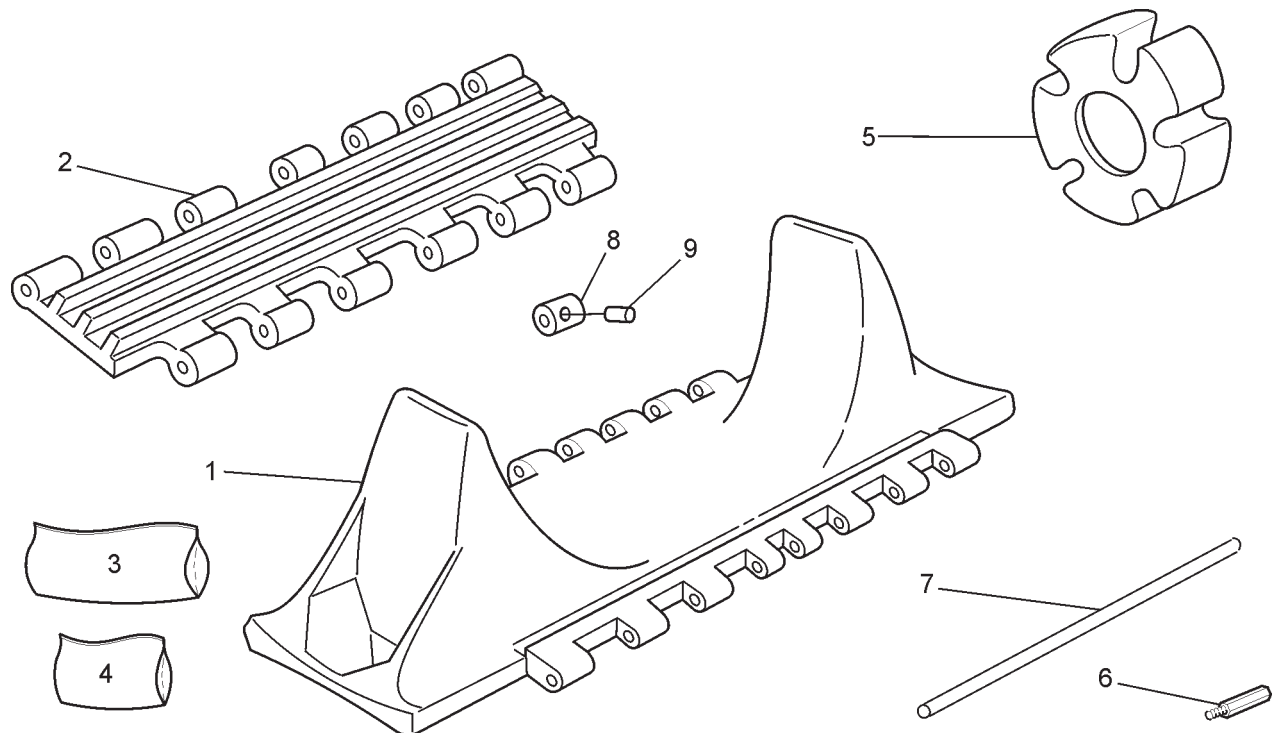
Shipping Weight and Dimensions

625-20

1 Box - Dimensional Weight: 3 lbs.; Dimensions: 8" x 6" x 8"; Actual Weight: 8 lbs.



625-43 Super Tracks



Ref.	Qty.	Part #	Description
1	62	625-42	Super Track Segment
2	2	615-21	Half Segment - Track - Plastic
3	1	615-02-6	Track Pin Set (66 pcs.) - 6x6
4	1	615-12-6	Bushing Set (66 pcs.) - 6x6 c/w Set Screws (68 pcs.)
5	6	605-77	Axle Extension
6	32	126-08	Extension Stud
7		615-02	Pin, Track - Chamfered+Ground
8		615-12	Bushing, Lock - 1/4"ID x 5/8"OD
9		112-68	SHSS 1/4-20 x 1/4 Knurl Pt. Zn

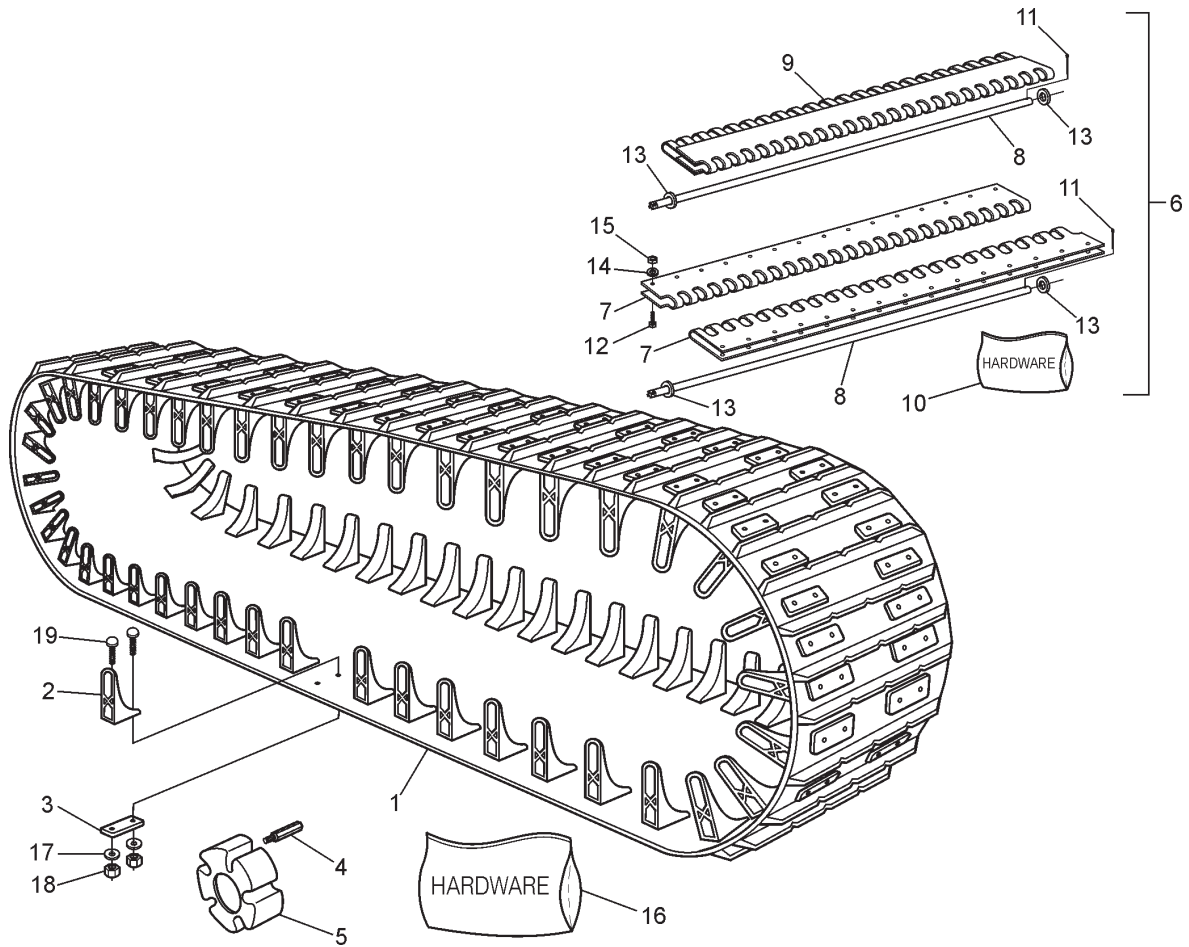
Extra parts included: 615-02 pins (7), 615-12 lock bushing (8), 112-68 SHSS 1/4" - 20 x 1/4" (9) and 2 of 126-08 Extension Stud (6), for future replacement.

Shipping Weight and Dimensions

4 Boxes 625-42 Super Track - Dimensional Weight: 38 lbs. each; Dimensions: 22" x 20" x 14" each;
Actual Weight: 29 lbs. each

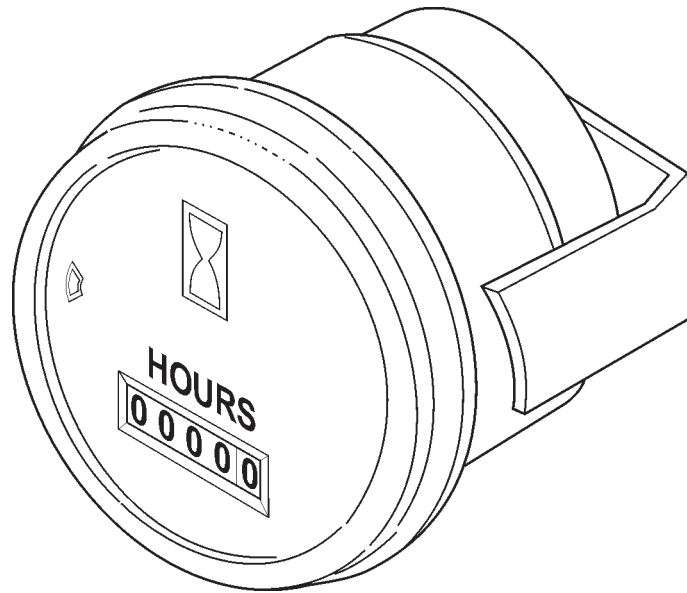
1 Box (10 pcs. 625-42, 6 pcs. 605-77, 30 pcs. 126-08, 1 pc. 615-02-6, 1 pc. 615-12-6, 2 pcs. 615-21)
Dimensional Weight: 37 lbs.; Dimensions: 22" x 20" x 14"; Actual Weight: 44 lbs.

625-50 Rubber Tracks



Ref.	Qty.	Part #	Description
1	2	825-51	Track, Rubber - Argo
2	152	825-52-1	Guide, Track - Argo - Nylon
3	152	825-53	Plate, Track Backing - Argo
4	32	126-08	Extension Stud, Plated
5	6	605-77	Extension Axle
6	1	825-55	Hinge Set & Extension - 18" Rubber Tracks includes the following:
7	4	825-54	Hinge, Track Lacing - 18"
8	4	825-56	Pin, Track - 18"
9	2	825-57	Track Extension - 2 x 18"
10	1	825-55HDW	Hardware Kit includes the following:
11	8	100-100	Pin, Cotter 1/8 x 3/4 Zn
12	60	103-08	HHCS 1/4-20 x 1.0 Zn
13	8	108-23	Washer .42 x .81 x .06 Gr8 Zn DI-C
14	60	108-08	Washer .28 x .62 x .07 Zn
15	60	117-27	Locknut, Nylon 1/4-20 Zn
16	1	825-50HDW	Hardware Kit includes the following:
17	360	108-24	Washer, .34 x .70 x .06 Zn
18	360	117-21	Locknut, Nylon 5/16-18"
19	360	112-155	Bolt, Carriage

632-15 Hourmeter

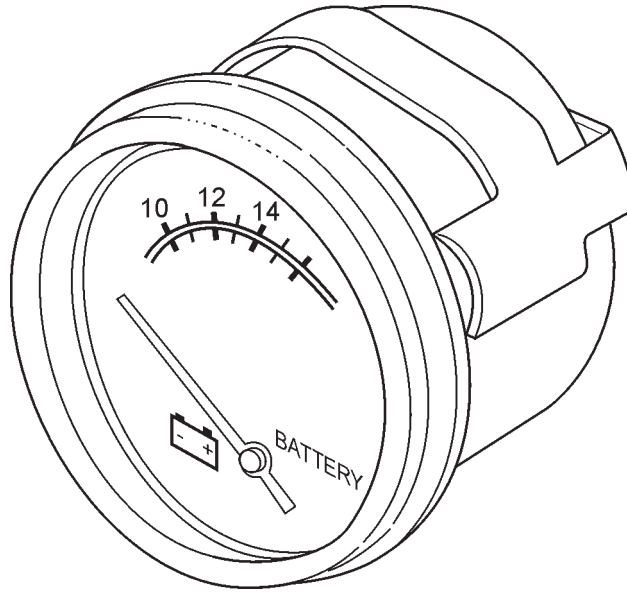


Ref.	Qty.	Part #	Description
1	1	632-15	Hourmeter

Shipping Weight and Dimensions

1 Box - Dimensional Weight: .2 lbs.; Dimensions: 3" x 2 3/4" x 3 1/4"; Actual Weight: .5 lbs.

633-10 Voltmeter

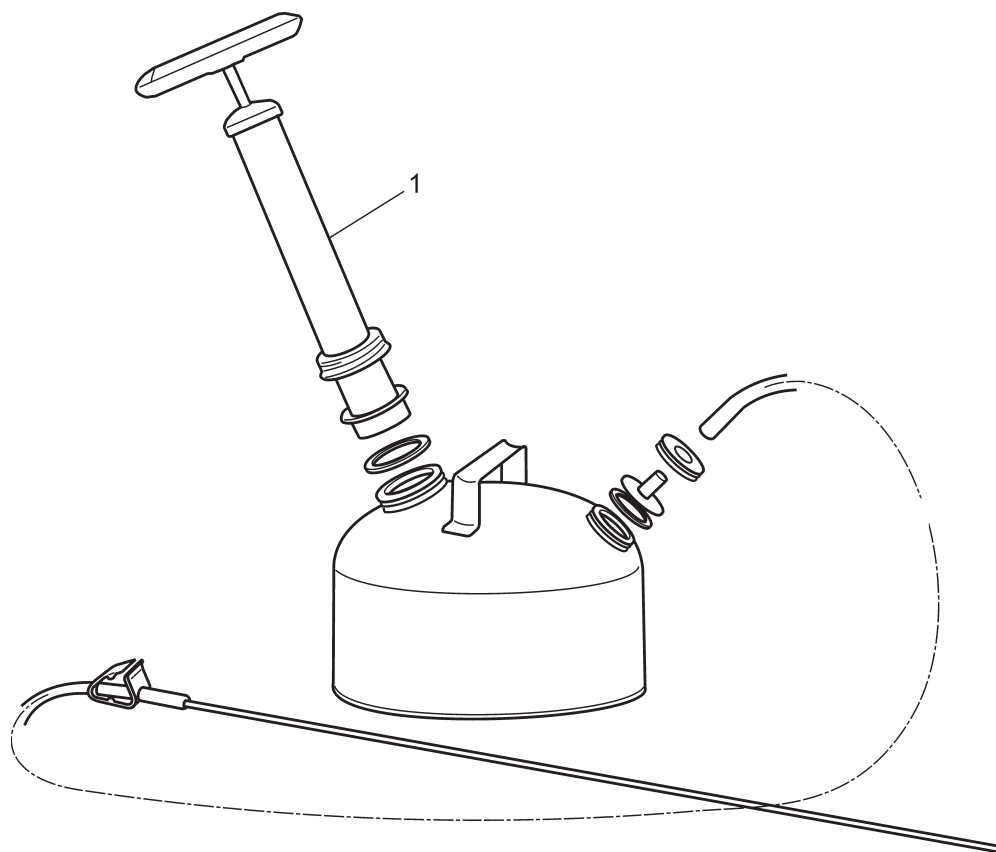


Ref.	Qty.	Part #	Description
1	1	633-10	Voltmeter

Shipping Weight and Dimensions

1 Box - Dimensional Weight: .2 lbs.; Dimensions: 3" x 2 3/4" x 3 1/4"; Actual Weight: .5 lbs.

638-02 Oil Change Pump

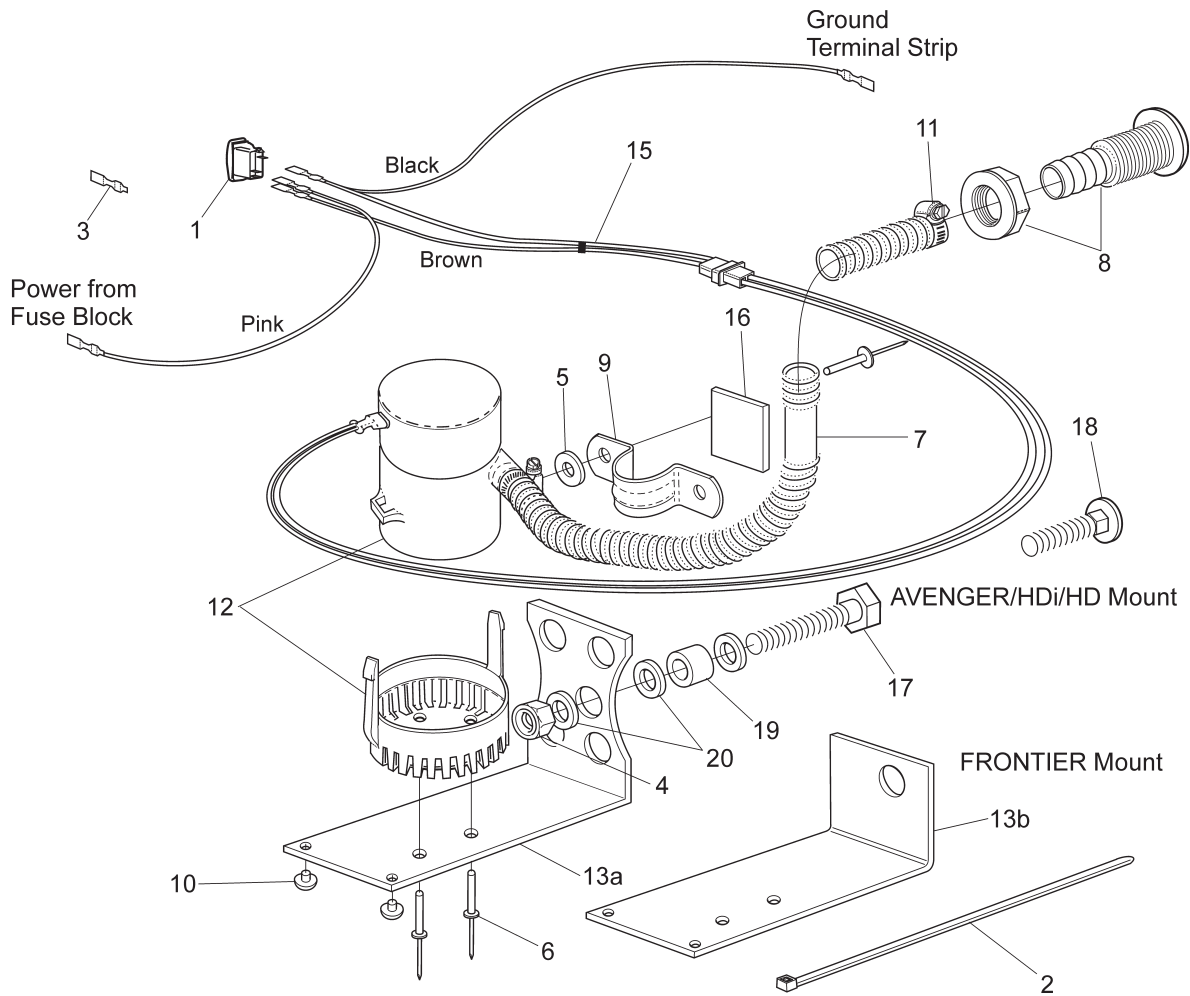


Ref.	Qty.	Part #	Description
1	1	638-02	Vacuum Pump

Shipping Weight and Dimensions

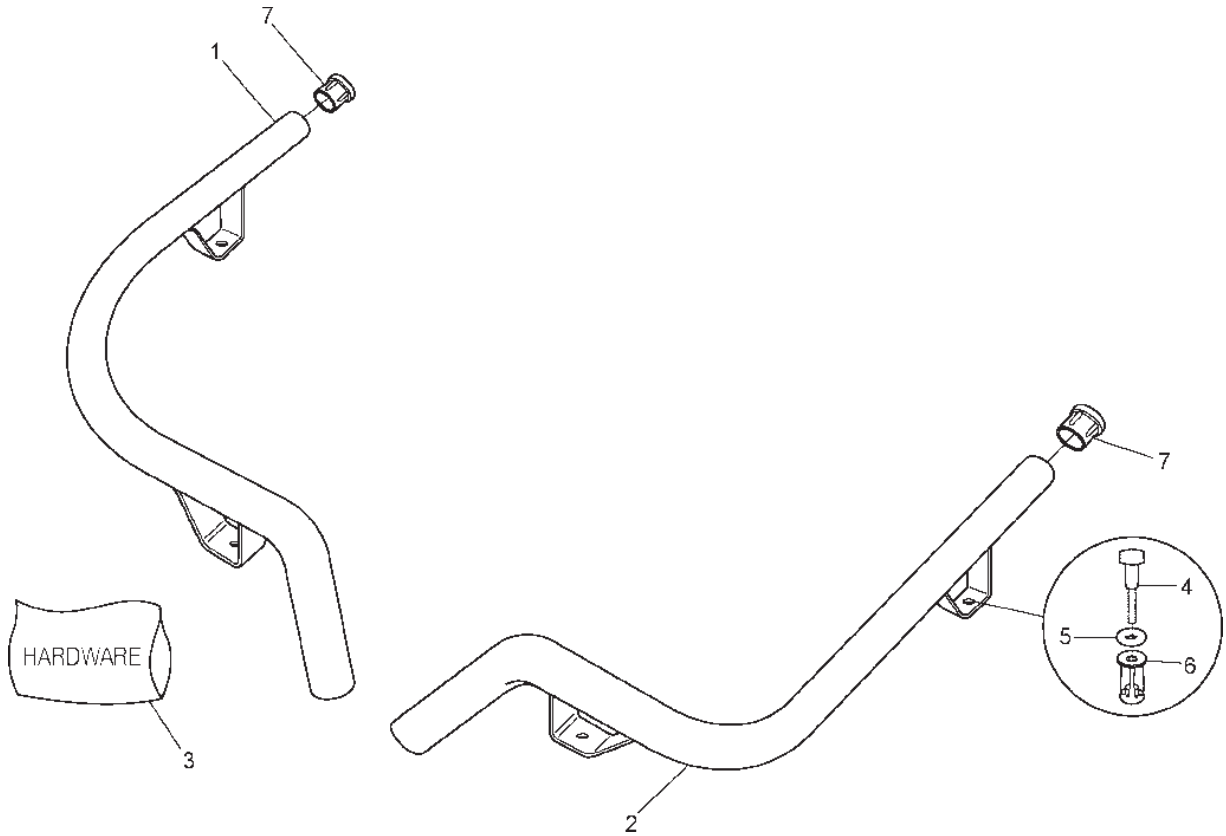
1 Box; Dimensional Weight: 10lbs.; Dimensions:12" x 12" x 12"; Actual Weight: 6 lbs.

638-40 Bilge - Avenger & Frontier



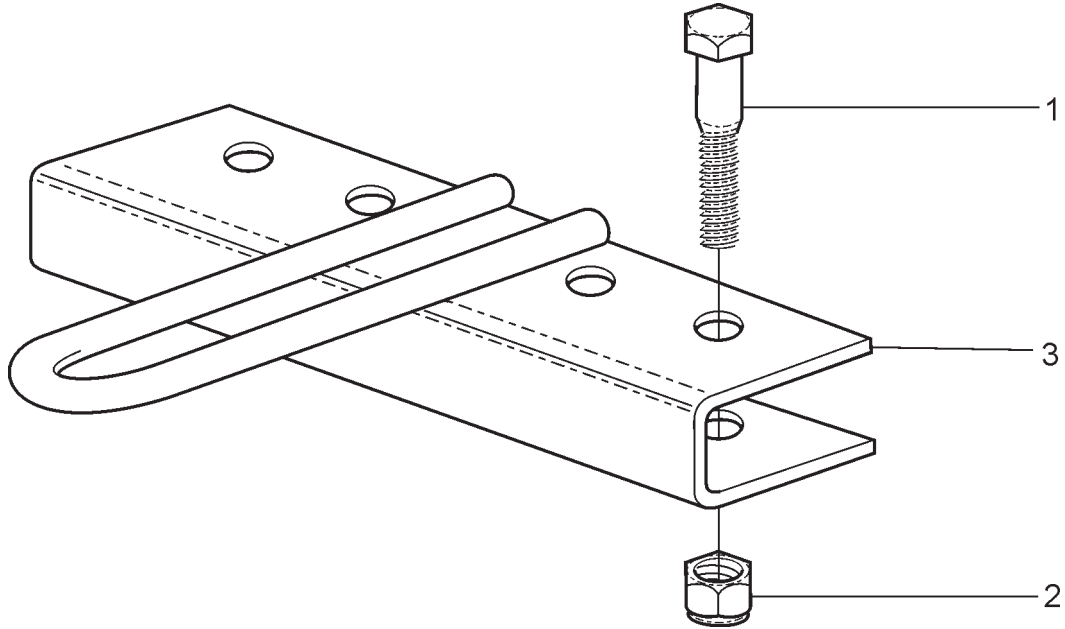
Ref.	Qty.	Part #	Description
1	1	613-154	Switch, Bilge Pump
2	10	100-64	Tie Wrap
3	1	118-64	Terminal, Female 1/4 22-18 Ins
4	2	117-29	Locknut, Nylon
5	4	120-04	Washer, 3/16"
6	4	120-13	Rivet, 3/16 x 3/4 Black
7	1	638-05	Flex Hose, 3'
8	1	638-08	Hull Fitting
9	1	638-11	1" Pipe Strap
10	2	638-14	Rubber Bumper
11	2	638-16	Gear Clamp
12	1	638-18	Bilge Pump & Wire ASM
13a	1	638-19	Bracket, Bilge Pump
13b	1	638-41	Bracket, Bilge Pump
15	1	638-28	Wire Harness w/3 amp fuse
16	1	702-06	Foam Cushion
17	1	112-163	HHCS 3/8-16 x 2.0 Gr5 Zn
18	1	103-88	C/Bolt 3/8-16 x 1.0 Gr5 Zn
19	1	603-66	Spacer, .500 ID x .625 Lg.
20	3	108-15	Washer .42 x .81 x .05 Zn

639-26 Frontier Handrails



Ref.	Qty.	Part #	Description
1	1	639-27	Handrail Assembly - Frontier - Right
2	1	639-28	Handrail Assembly - Frontier - Left
3	1	639-20HDW	Hardware Kit includes:
4	6	103-97	HHCS 1/4-20 x 1-1/4"
5	6	108-08	Washer, 1/4"
6	6	117-53	Nut, Jack 1/4-20 8L-JNS Zn
7	2	639-25	End Plug

642-00 Tow Hook

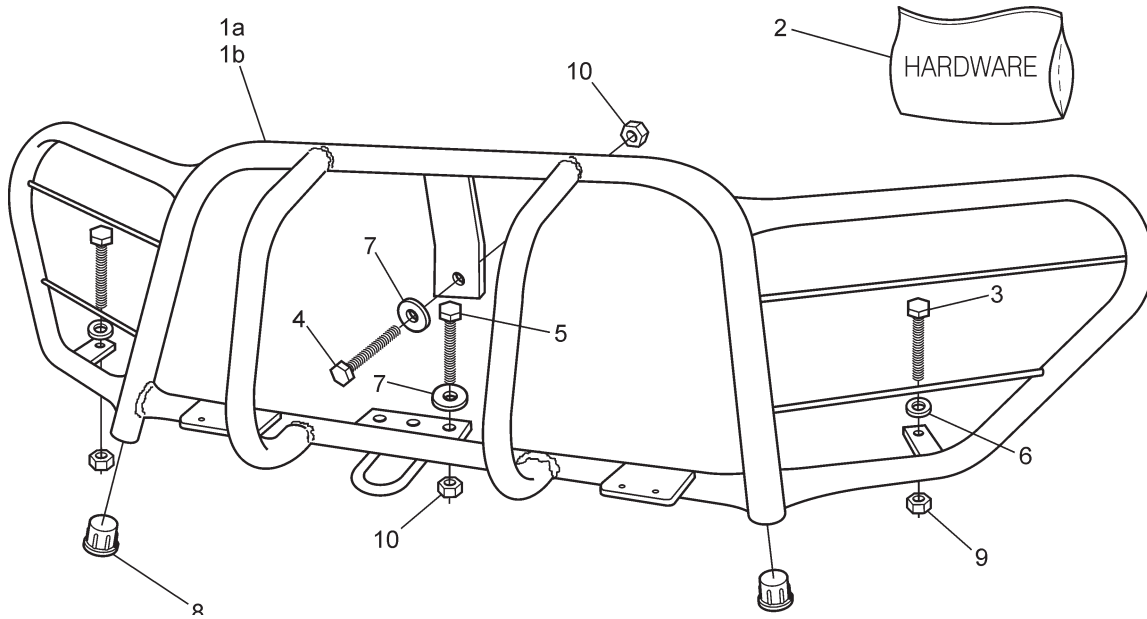


Ref.	Qty.	Part #	Description
1	4	103-68	HHCS 3/8-16x2.0 Gr5 Zn (not sold separately)
2	4	117-29	Locknut, Nylon 3/8-16 Zn (not sold separately)
3	1	642-03	Tow Hook ASM

Shipping Weight and Dimensions

1 Box - Dimensional Weight: .5 lb.; Dimensions: 8-1/2" x 2-1/2" x 4"; Actual Weight: 2.5 lb.

642-49 Avenger Brush Guard

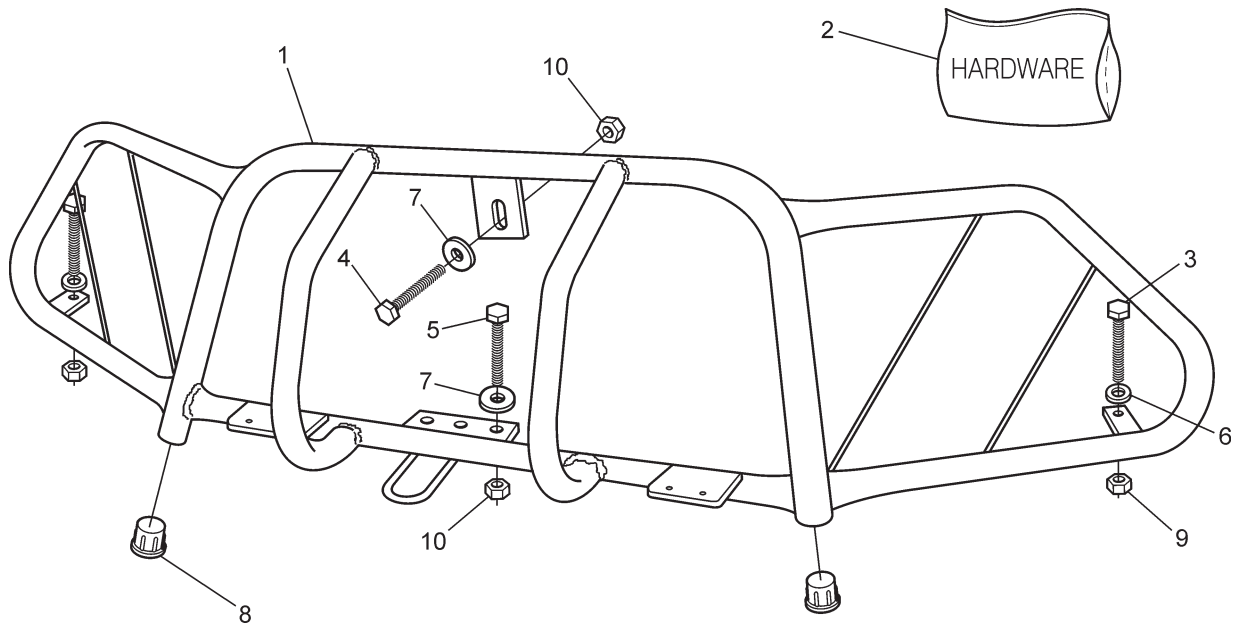


Ref.	Qty.	Part #	Description
1	1		Brushguard, Avenger w/tabs (not sold separately)
2	1	642-20HDW	Hardware Kit comprised of:
3	2	103-57	HHCS 5/16-18 x 1.5 Gr5 Zn
4	1	103-76	HHCS 3/8-16 x 1.75 Gr5 Zn
5	3	103-82	HHCS 3/8-16 x 1.5 Gr5 Zn
6	2	108-12	Washer .34 x 1.00 x .06 Zn
7	7	108-18	Washer .40 x 1.37 x .12 Zn
8	2	113-13	Plug, 1-1/4" Tube- Avg Brushguard
9	2	117-21	Locknut, Nylon 5/16-18 Zn
10	4	117-29	Locknut, Nylon 3/8-16 Zn

Shipping Weight and Dimensions

1 piece Brush Guard Kit - Dimensional Weight: 48 lbs.; Dimensions: 51.5" x 14" x 11";
Actual Weight: 12 lbs.

642-50 Frontier Brush Guard

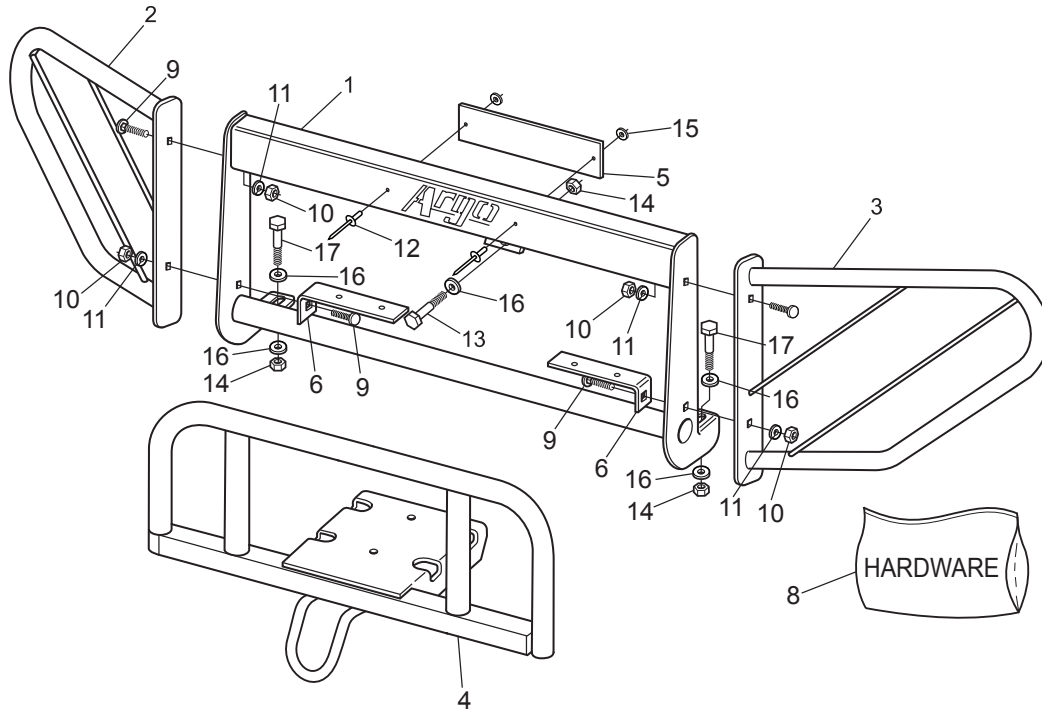


Ref.	Qty.	Part #	Description
1	1		Brushguard, Frontier w/tabs (not sold separately)
2	1	642-20HDW	Hardware Kit comprised of:
3	2	103-57	HHCS 5/16-18 x 1.5 Gr5 Zn
4	1	103-76	HHCS 3/8-16 x 1.75 Gr5 Zn
5	3	103-82	HHCS 3/8-16 x 1.5 Gr5 Zn
6	2	108-12	Washer .34 x 1.00 x .06 Zn
7	7	108-18	Washer .40 x 1.37 x .12 Zn
8	2	113-13	Plug, 1-1/4" Tube- Avg Brushguard
9	2	117-21	Locknut, Nylon 5/16-18 Zn
10	4	117-29	Locknut, Nylon 3/8-16 Zn

Shipping Weight and Dimensions

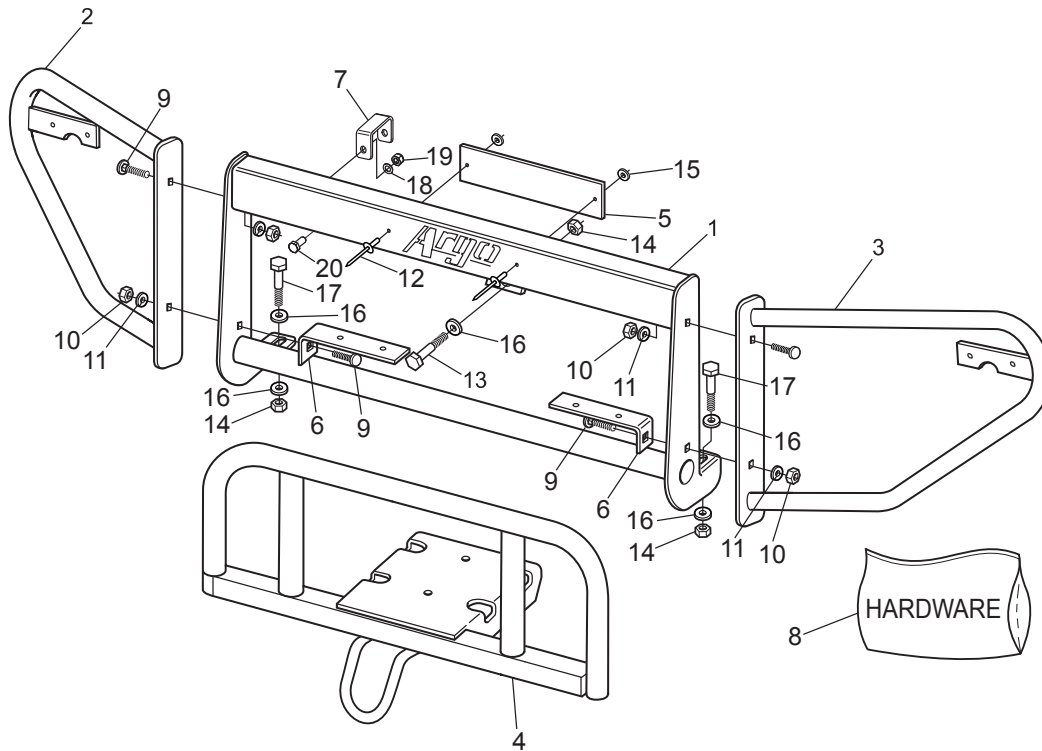
1 piece Brush Guard Kit - Dimensional Weight: 48 lbs.; Dimensions: 51.5" x 14" x 11";
Actual Weight: 12 lbs.

642-80 Brush Guard Assembly



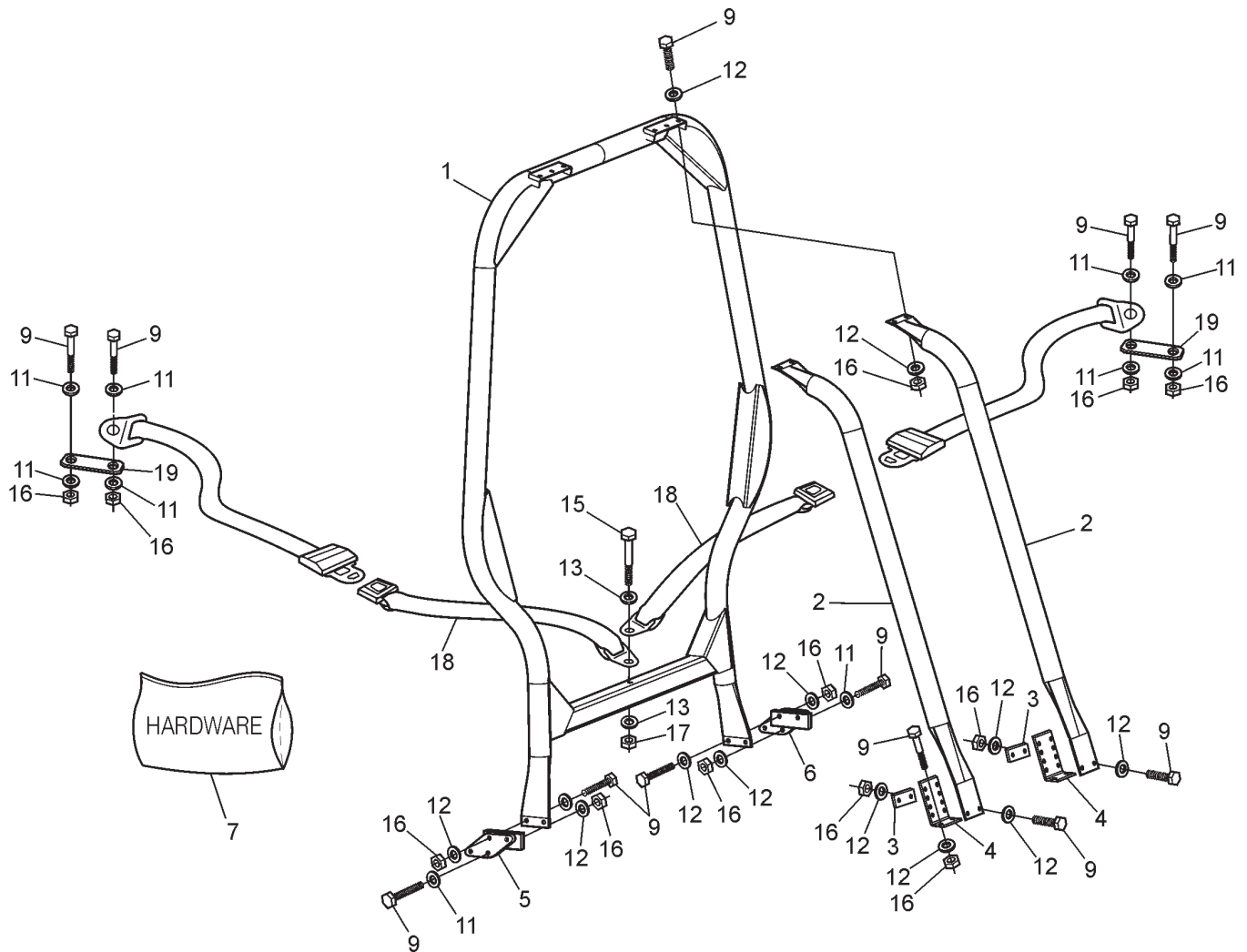
Ref.	Qty.	Part #	Description
1	1	642-69	Guard, Center Section
2	1	642-70	Guard, Light RH
3	1	642-71	Guard, Light LH
4	1	622-130	Winch Mount W/Guard
5	1	642-73	Plate, Name Filler
6	2	642-81	Bracket, Driving Light
8	1	642-80HDW	Hardware - Brush Guard, Fits W/ROPS
9	4	642-76	C/Bolt 5/16-18 x .75 Blk Zn
10	4	642-75	Nut, Acorn 5/16-18 Blk Zn
11	4	642-74	Lockwasher 5/16 Split Blk Zn
12	2	120-14	Rivet - 3/16 x 5/8 Black
13	1	103-82	HHCS 3/8-16 x 1.5 Gr5 Zn
14	3	117-29	Locknut, Nylon 3/8-16 Zn
15	2	120-04	Washer .19x.50x.08 Zn
16	10	108-18	Washer .40 x 1.37 x .12 Zn
17	2	103-76	HHCS 3/8-16 x 1.75 Gr5 Zn

642-85 Brush Guard Assembly



Ref.	Qty.	Part #	Description
1	1	642-69	Guard, Center Section
2	1	642-86	Guard, Light RH - No Web
3	1	642-87	Guard, Light LH - No Web
4	1	622-130	Winch Mount W/Guard
5	1	642-73	Plate, Name Filler
6	2	642-81	Bracket, Driving Light
7	1	642-88	Bracket, Horn Mount - Brush Guard
8	1	642-85HDW	Hardware - Brush Guard, Fits W/ROPS
9	4	642-76	C/Bolt 5/16-18 x .75 Blk Zn
10	4	642-75	Nut, Acorn 5/16-18 Blk Zn
11	4	642-74	Lockwasher 5/16 Split Blk Zn
12	2	120-14	Rivet - 3/16 x 5/8 Black
13	1	103-82	HHCS 3/8-16 x 1.5 Gr5 Zn
14	3	117-29	Locknut, Nylon 3/8-16 Zn
15	2	120-04	Washer .19x.50x.08 Zn
16	10	108-18	Washer .40 x 1.37 x .12 Zn
17	2	103-76	HHCS 3/8-16 x 1.75 Gr5 Zn
18	1	108-50	Washer .03 x .321 x .56
19	1	117-21	Locknut, Nylon 5/16-18 Zn
20	1	112-01	HHCS 5/16-18x3/4 Gr5 Zn

648-15 Light Bar Kit - 6x6



Ref.	Qty.	Part No.	Description	Ref.	Qty.	Part No.	Description
1	1	648-20	Roll Bar, Welded Assembly	11	20	108-12	Washer, .34x1.02x.06"
2	2	648-21	Brace, Rear	12	24	108-24	Washer, .34x.70x.06 Zn
3	2	648-27	Plate, Attachment	13	2	108-26	Washer, .43x1.02x.09 Zn
4	2	648-28	Plate, Angle - Rear Brace	14	1	601-08RM	Trim, Vinyl - 15"
5	1	648-31	Bracket Ass'y - Right, Roll Bar Bracket Kit	15	1	103-53	HHCS 3/8-16x3.0 Gr5 Zn
6	1	648-30	Bracket Ass'y - Left, Roll Bar Bracket Kit	16	24	117-21	Locknut, Nylon 5/16-18 Zn
7	1	648-15HDW	Hardware Kit comprised of:	17	1	117-29	Locknut, Nylon 3/8-16 Zn
9	24	103-38	HHCS 5/16-18x1.25" Gr5	18	2	848-56	Seat Belt Assembly c/w Label
				19	2	848-57	Anchor, Seat - Belt

Note:

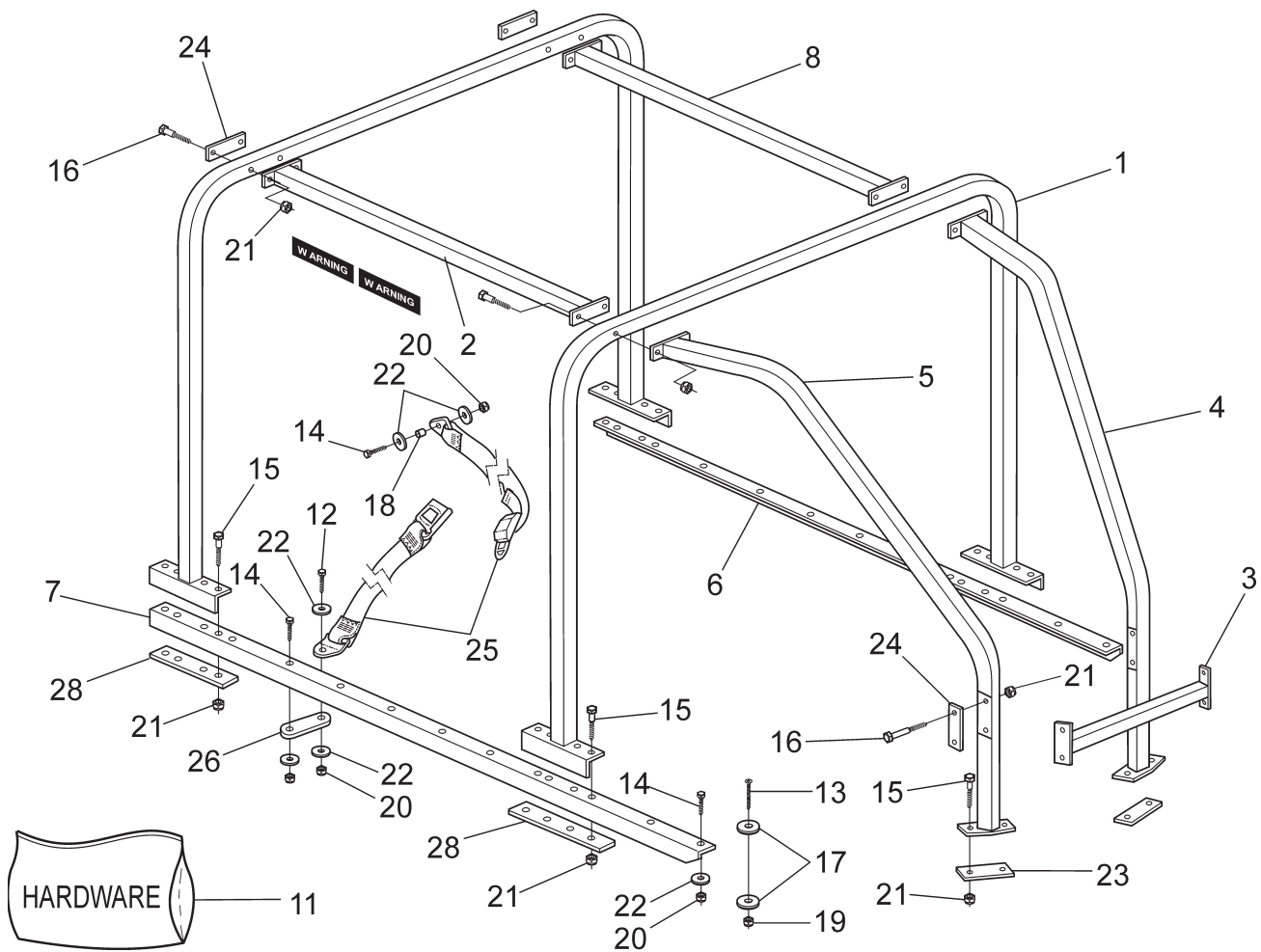
Vehicles affected: Argo 6x6 Model #'s V698-58, V699-55, V699-51 & Frontier

Shipping Weight and Dimensions

1 Box - Dimensional Weight: 88 lbs.; Dimensions: 61" x 48" x 5"; Actual Weight: 50 lbs.

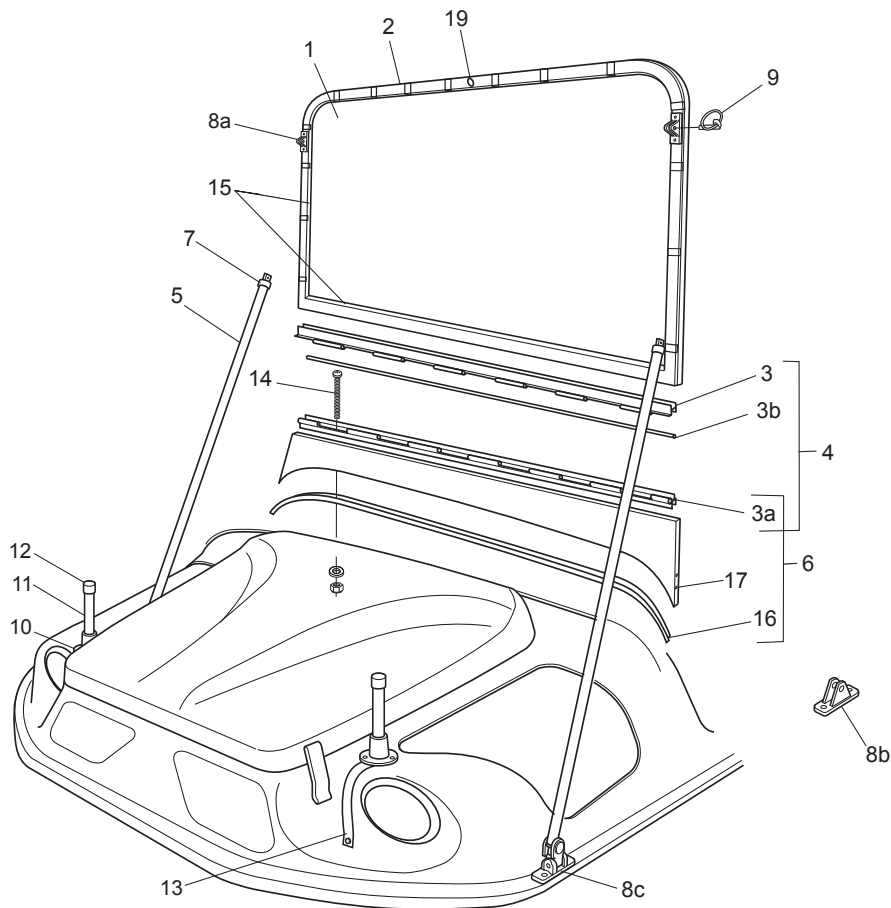


648-47 Roll Over Protective Structure (ROPS)



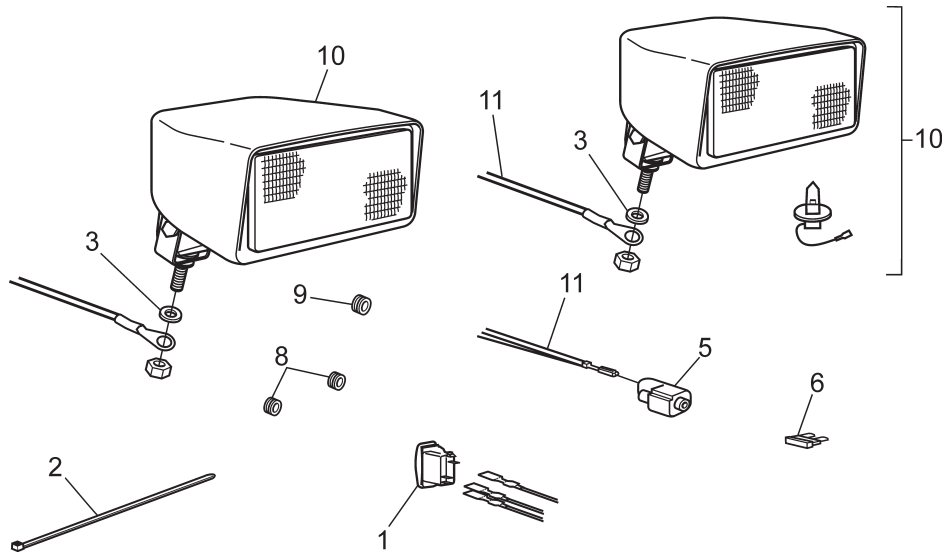
Ref.	Qty.	Part No.	Description	Ref.	Qty.	Part No.	Description
1	2	848-41	Hoop Assembly	17	8	108-01	Washer, Fender 1/4 BS x 1.25 OD
2	1	648-41	Tube Assembly - Top	18	6	108-64	Spacer, 3/8 x 1/2 x 3/8"
3	1	849-91	Tube Assembly - Front	19	4	117-27	Locknut, Nylon 1/4-20 Zn
4	1	849-93	Brace Assembly - Front Left	20	30	117-29	Locknut, Nylon 3/8-16 Zn
5	1	849-94	Brace Assembly - Front Right	21	32	117-66	Locknut, Nylon 1/2-13 Zn
6	1	648-43	Angle Iron - Left	22	38	108-26	Washer .43 x 1.02 x .09 Zn
7	1	648-44	Angle Iron - Right	23	2	848-54	Flange, Bumper - Front
8	1	849-224	Tube Ass'y - Top, No Label	24	4	848-55P	Flange, Tube
11	1	849-90HDW	Hardware Kit comprised of:	25	2	848-56	Seatbelt Assemblies
12	4	103-34	HHCS, 3/8-16 x 1.25 Gr5 Zn	26	2	848-57	Strap, Belt Anchor
13	4	103-03	PHMS 1/4 20 x 1.50 Zn	27	1	849-77	Trim, Vinyl - 10"
14	26	103-76	HHCS, 3/8-16 x 1.75 Gr5 Zn	28	4	848-53	Stiffner, Bumper - Side
15	20	112-66	HHCS, 1/2-13 x 2.0 Gr5 Zn				
16	12	112-157	HHCS, 1/2-13 x 3.25 Gr5 Zn				

648-79 Windshield - Frontier



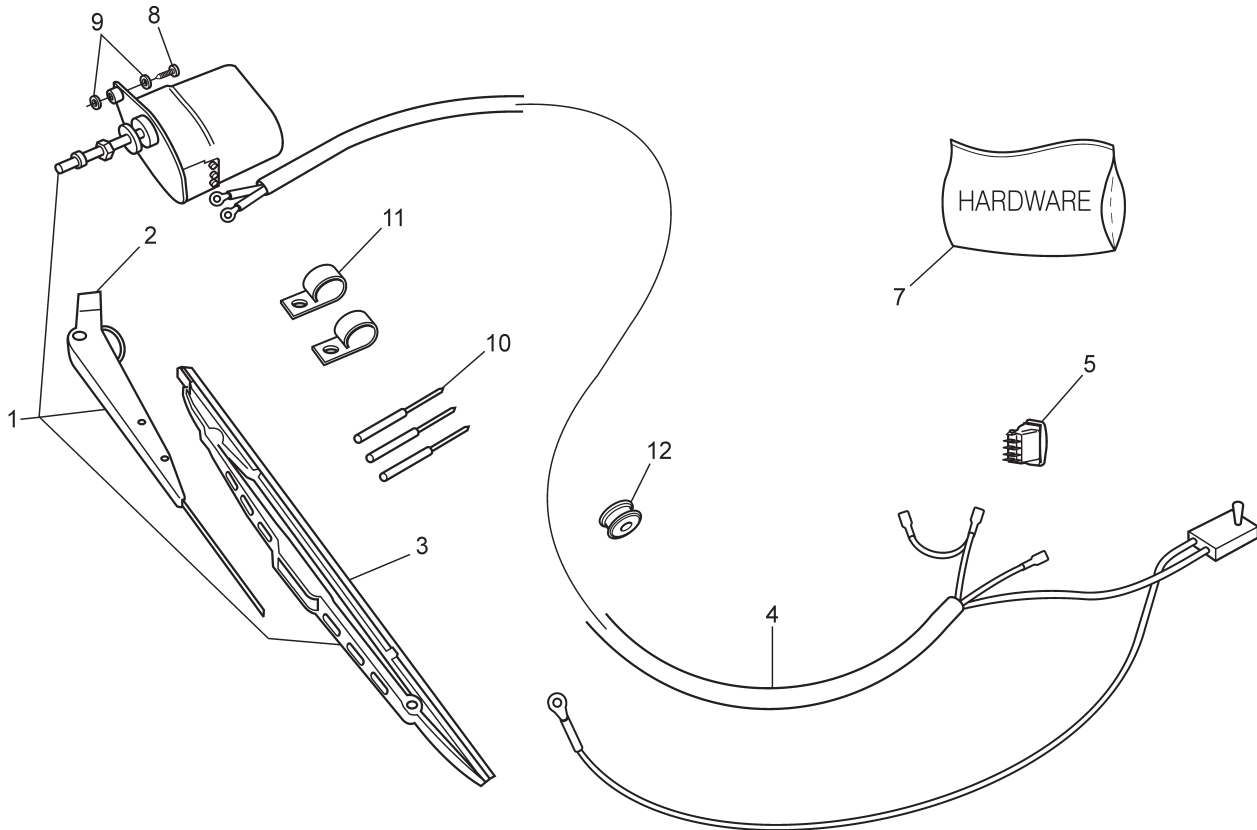
Ref.	Qty.	Part #	Description
1	1	002905-1C-FRT-A	Windshield, Acrylic, Frontier
2	1	002905-2B-FRT	Top Bar (Black)
3	1	002905-3B-FRT	Hinge, Top (Black)
3a	1	002905-3A'-B-FRT	Hinge, Bottom and Gasket Inside
3b	1	002904-3B-B	Rod, Aluminum
4	1	002905-4B-FRT	Complete Hinge Set - Black, (#3, 3a & 3b)
5	2	002904-5B	Support Arm - Black, (Complete with socket ends, #7)
6	1	002905-6B-FRT	Acrylic Base, Gasket and Bottom Hinge (#3a & 16)
7	4	002904-7B	Socket End (Black)
8a	2	002904-8A-B	Angled Deck Bracket For Pin (Black) And Gasket
8b	2	002904-8B-B	Straight Deck Bracket For Pin (Black)
8c	2	002904-8C-B	Straight Deck Bracket For Screw (Black)
9	2	627-03	Quick Pin
10	2	002904-10B	Round Base (Black)
11	2	002904-11C	Tube (Black) 7.25"
12	2	002904-12B	PVC Black Cap
13	2	002904-13B	Strap (Black)
14	5	002905-14-FRT	Bolts, Stainless Steel 5" + Washer + Nut
15	1	002905-15-FRT	Gasket Around Glass
16	1	002905-16-FRT	Gasket - Windshield to Body
17	5	002904-17	#8 x 1-1/2" Phillips Head Screw
18	15	002904-18	#8 x 1" Phillips Head Screw (Not Illustrated)
19	2	002904-19	PVC Black Cap Hole Wiper
20	2	627-10	Dome Stud #8 x 3/8" #688

648-90 Roll Bar Light Kit



Ref.	Qty.	Part No.	Description
1	1	613-158	Switch, Roll Bar Light Kit
2	8	100-64	Tie Wrap - 5.5" - Black
3	2	108-24	Washer .34x.70x.06 Zn
5	1	118-04	Connector, T-Tap 14-18AW
6	1	118-53	Fuse, 20A 2-Prong (AT020)
8	2	128-02	Grommet, Rubber - 5/32"
9	1	128-03	Grommet, Rubber - 7/32"
10	2	613-81	Light, Rear Cargo
11	1	613-89	Wire Harness, Light Kit

648-91 Windshield Wiper

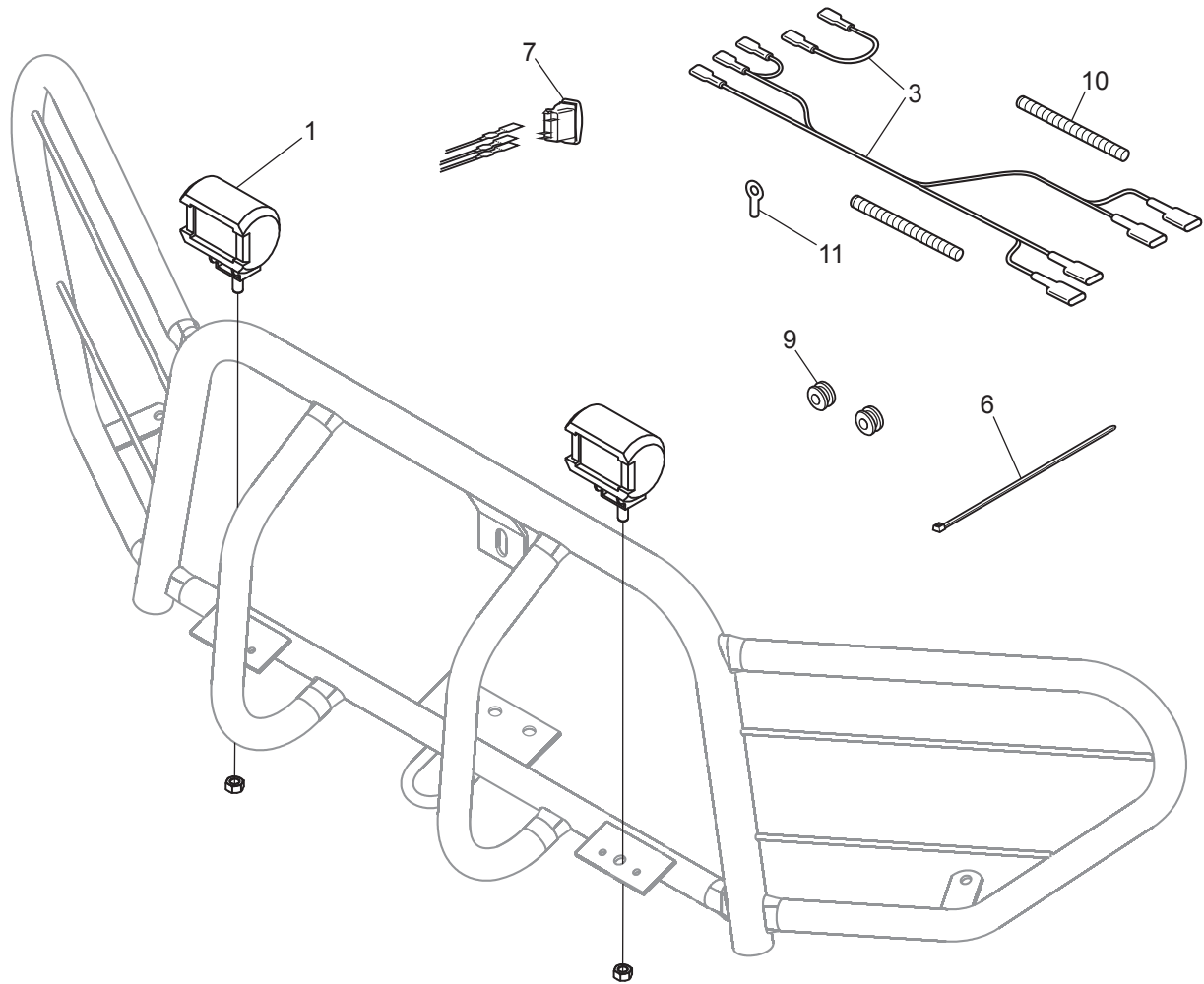


Ref.	Qty.	Part #	Description
1	1	648-71	Wiper Motor & Blade Kit
2	1	648-74	Arm, Wiper - Argo
3	1	648-76	Blade, Wiper 14" - Argo
4	1	648-72	Wire Harness, Wiper Motor - Argo
5	1	613-155	Switch, Wiper
7	1	648-70HDW	Hardware Kit - Wiper Kit - Argo Includes:
8	1	112-110	Screw, Self Drill 12-14 x 1"
9	2	108-08	Washer .28x.62x.04 Zn
10	9	120-31	Rivet - 3/16 x 1/4, Open End
11	9	126-93	Clamp, Nylon Wire - 1/2" ID
12	1	127-132	Grommet, Rubber
	1	118-68	Terminal, 3/16 Male Blade 16-14 Awg
	1	118-30	Terminal, Eye - #10
	2	118-64	Terminal, Female-1/4 22-18 Ins
	1	118-71	Terminal, Piggyback, Disconnect
	1	118-32	Terminal, 1/4" Male 22-18 Awg

Shipping Weight and Dimensions

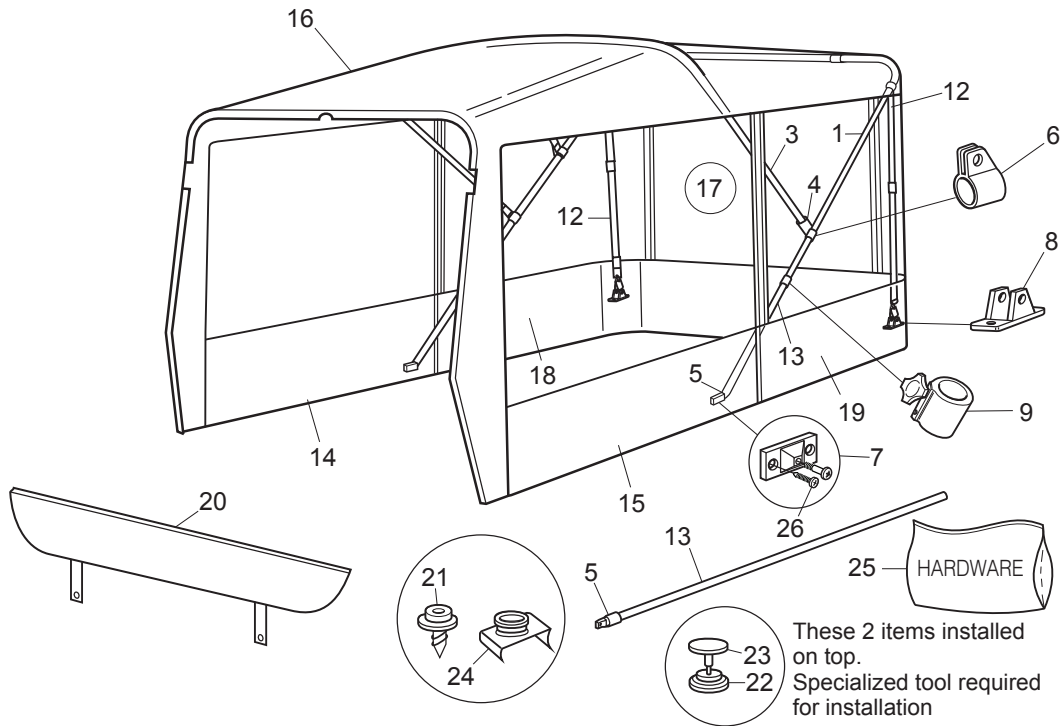
1 Box 648-70 Wiper Kit - Dimensional Weight: 4 lbs.; Dimensions: 10.5" x 10.5" x 6"; Actual Weight: 3.5 lbs.

648-92 Argo Auxiliary Light Accessory



Ref.	Qty.	Part #	Description
1	2	613-233	Light, Multi Spot, 18W
2	4	118-05	Terminal, 1/4" Male 16-14 Awg
3	1	613-109	Wire Harness, Fog Light
4	4	103-25	PHMS 10-24 x 3/4 Zn
5	4	117-10	Locknut, 10-24 N/I Zn
6	6	100-64	Tie Wrap - 5.5" - Black
7	1	613-156	Switch, Fog Lights
9	2	125-84	Grommet, Rubber
10	9"	810-90RM	Loom, Nylon - .500" ID
11	1	118-30	Terminal, Eye

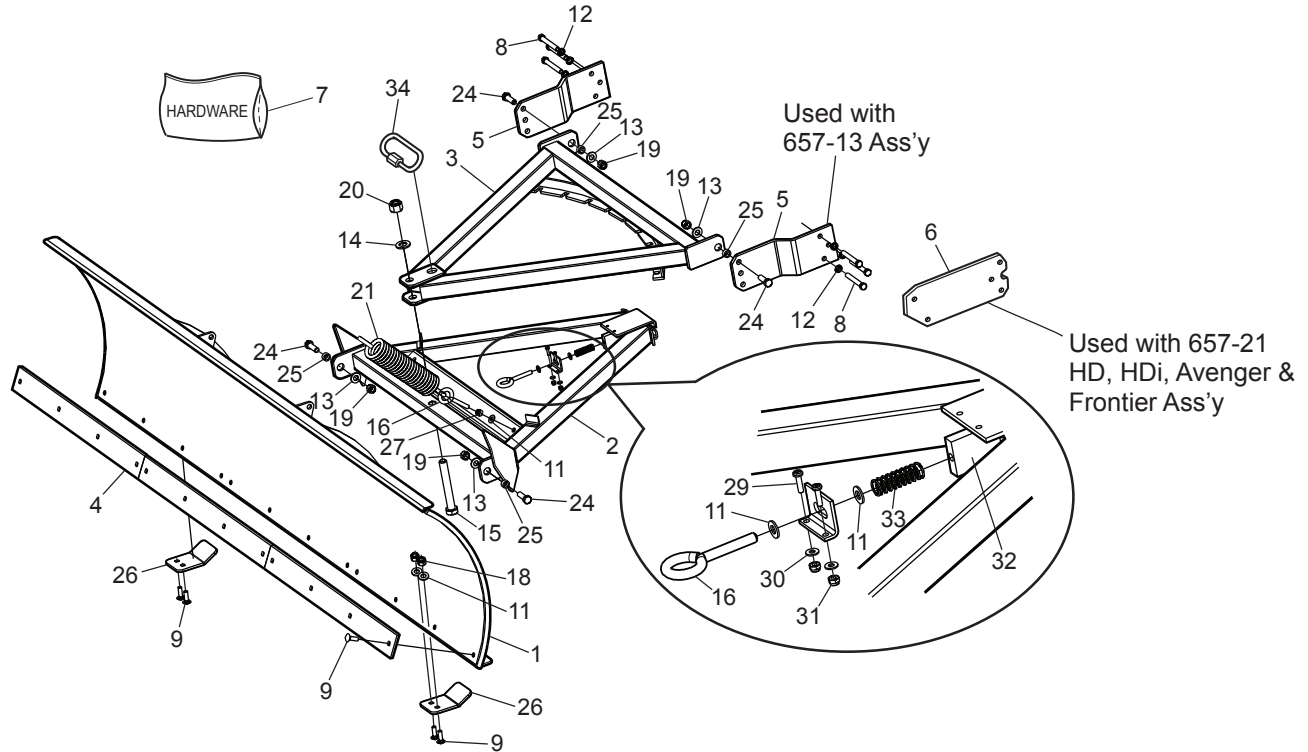
649-51 Convertible Top - Frontier



Ref.	Qty.	Part #	Description	Ref.	Qty.	Part #	Description
1	1	AF6F1	Main Frame (crowned)	19	1	649-51 SLB	1/4 panel complete left side - black
3	1	AF6F2	Front Frame "	20	1	BOOTAVB	Boot Black (this boot is specific fit for bow in frames)
4	4	849-33	Eye End 7/8"	21*	31	627-10	Dura Screw Stud 3/8" Stainless Steel Screw
5*	2	849-11	Eye End 3/4"	22	59	4003E	Socket nickel plated brass (snap fastener)
6	4	849-32	Jaw slide 7/8"	23	59	4002E	Finish Cap Black finish brass (snap fastener)
7*	2	649-32	Side Mount (comes with shoulder screw)	24*	16	627-02	Windshield Clip Stud
8*	2	2715E	Deck Mount, large - 10 degree	25	1	AF6F4	Hardware Package
9*	2	649-34	Adjusting Collar	26*	8		Stainless Steel Screw #8 x 1" Phillips head
12	2	ARF5	Tension Strap with hooks				
13	2	ARF4	Adjusting Pole 30"x3/4				
14	1	649-51 DRB	Door Panel, right side - Black				
15	1	649-51 DLB	Door Panel, left side - Black				
16	1	649-51 RB	Roof Only - Black				
17	1	649-51 RDB	Rear Door, Black (Tail Gate)				
18	1	649-51 SRB	1/4 panel complete right side - Black				

* Part of Hardware Package AF6F4, Item 25

657-21 (HDi, Avenger & Frontier) Snowplow



Ref.	Qty.	Part #	Description	Ref.	Qty.	Part #	Description
1	1	657-11	Blade assembly	27	2	117-15	Nut, Hex Fin 3/8 – 16 Zn
2	1	657-25	Lower boom assembly	28	1	657-16	Plate, Spring Stop
3	1	657-26	Upper boom assembly	29	2	103-25	PHMS, 10-24 x 3/4 Zn
4	3	657-90	Knife	30	2	120-05	Washer, .19 x .50 x .04 Zn
5	2	657-53	Mounting Bracket - used with 657-13 Kit	31	2	117-10	Locknut, Nylon 10-24 Zn
6	2	657-17	Mounting Bracket - used with 657-21 Kit	32	1	657-15	Block, Adjustment Pin
7	1	657-13HDW	Hardware kit includes the following:	33	1	125-78	Spring, Comp. 0.66 x 1.92
8	6	103-74	HHCS, 7/16 - 20 x 3-1/4"	34	1	113-15	Link, Quick - 3/8"
9	16	103-88	Carriage bolt 3/8 - 16 x 1"				
11	10	108-26	Washer, Flat 3/8"				
12	6	108-27	Lockwasher, 7/16"				
13	4	108-35	Washer, Flat 1/2"				
14	2	108-53	Washer, Flat 3/4"				
15	1	112-13	HHCS, 3/4 - 10 x 5-1/2" Gr 5				
16	3	112-80	Eye Bolt, 3/8 - 16				
18	18	117-29	Locknut, Nylon 3/8"-16				
19	4	117-57	Locknut, Nylon 1/2"-20				
20	1	117-58	Locknut, Nylon 3/4"-10				
21	2	127-82	Spring, Extension				
24	4	103-21	HHCS, 1/2 - 20x1.5" Gr 5 Zn				
25	4	657-54	Bushing 3/4 OD x 3/8 Lg.				
26	2	657-59	Shoe				

Shipping Weight and Dimensions

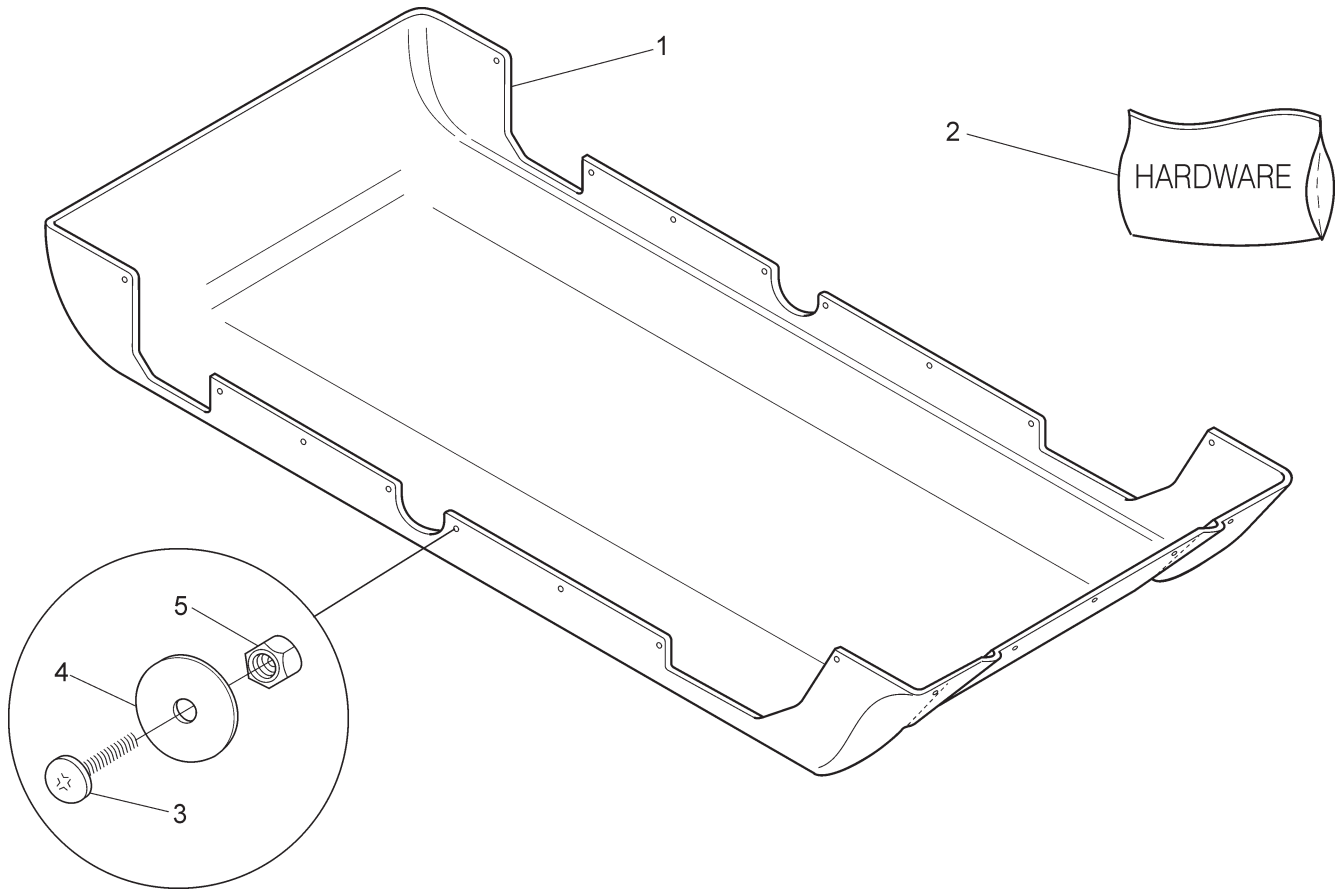
1 Box 657-01HDW - Hardware - Dimensional Weight: 5 lbs.; Dimensions: 16" x 8" x 6-1/2"; Actual Weight: 32 lbs.

1 Piece 657-11 -Blade - Dimensional Weight: 63.5 lbs.; Dimensions: 81" x 20" x 6-1/2"; Actual Weight: 84 lbs.

1 Box, 1 Piece 657-10, 1 Piece 657-80
Dimensional Weight: 44 lbs.;
Dimensions: 31-1/2" x 28-1/2" x 8";
Actual Weight: 46 lbs.

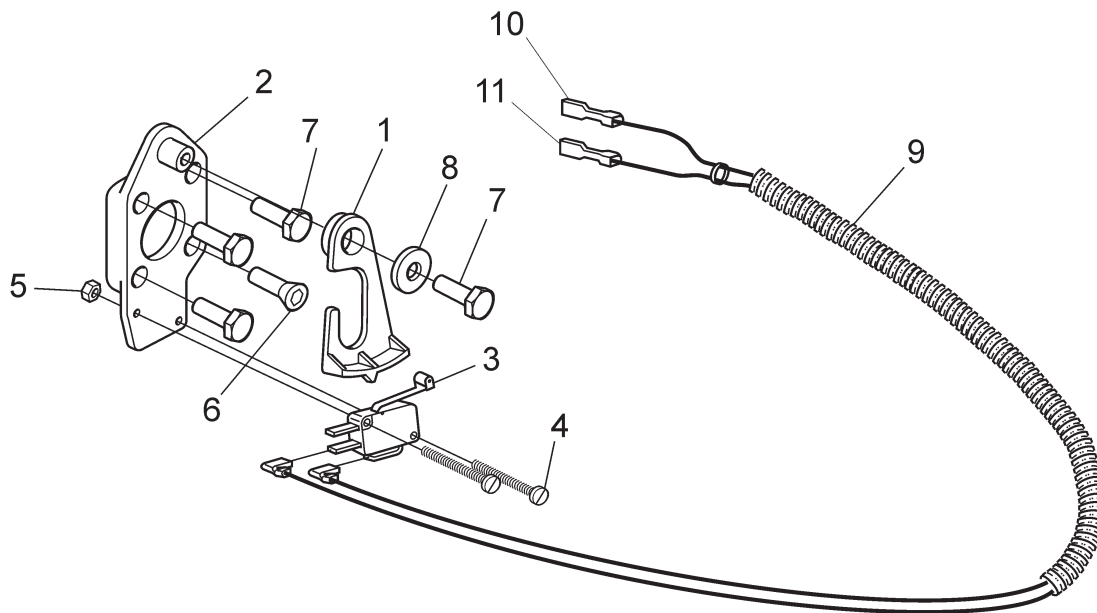
1 Bundle, 3 Pieces 657-90 - Dimensional Weight: .5lbs.; Dimensions: 27" x 2-1/2" x 1/2";
Actual Weight: 31 lbs.

663-12 Skid Plate - Frontier



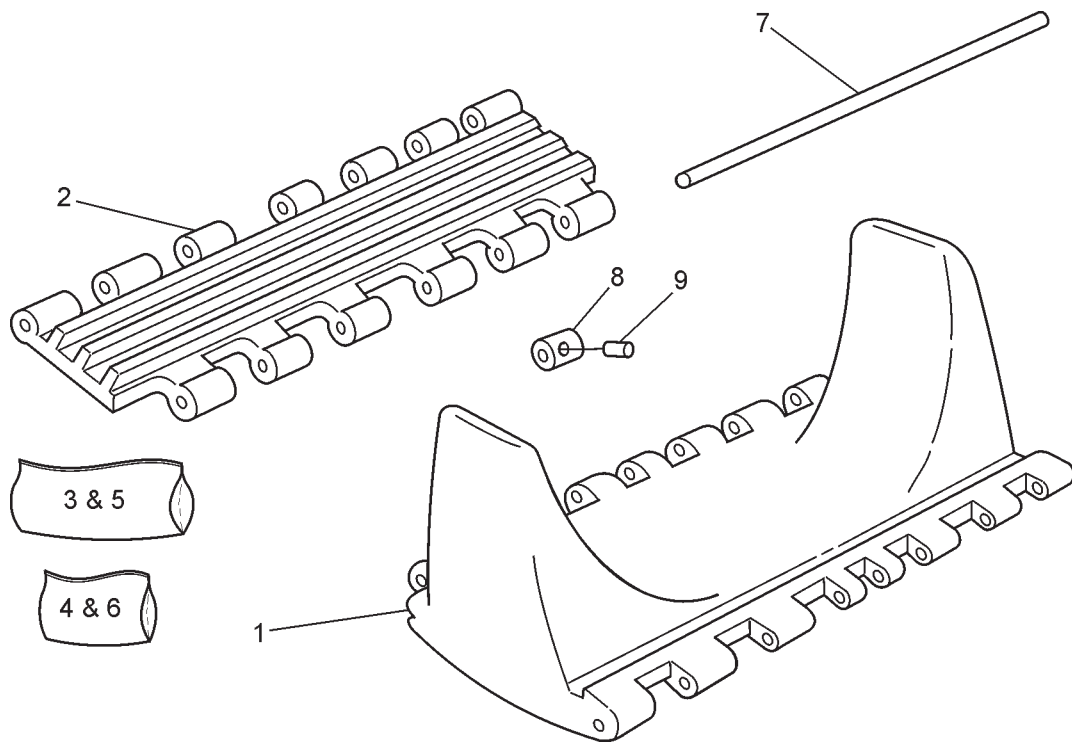
Ref.	Qty.	Part #	Description
1	1	663-12	Skid plate - 6x6 black
2	1	663-10HDW	Hardware kit comprised of:
3	32	103-63	Phillips Pan Hd. M.S. 1/4-20 x 1
4	50	108-01	Washer, fender 1/4 BS x 1.25 OD
5	32	117-27	Locknut, nylon 1/4-20

668-06 Neutral Start Assembly



Ref.	Qty.	Part #	Description
1	1	34-132	Follower, Neutral Start
2	1	34-131	Plate, Neutral Start Base
3	1	809-202	Switch, Limit - Two Pole
4	2	112-172	SHMS, #5-40x3/4, Zn
5	2	112-173	Locknut, #5-40, Zn
6	1	112-171	FHSC 1/4-20 x 3/4 Gr2 Zn
7	4	112-04	HHCS 1/4-20x3/4 Gr2 Zn
8	1	108-08	Washer .28x.62x.07 Zn
9	1	613-112	Wire Harness, Neutral Start
10	1	118-32	Terminal, 1/4" Male 22-18 Awg
11	1	118-64	Terminal, Female-1/4 22-18 Ins

815-42K Standard Tracks



Ref.	Qty.	Part #	Description
1	72	615-42	Track Segment - Standard
2	2	615-21	Half Segment
3	1	615-02-8	Track Pin Set (82 pcs.) - 8x8
4	1	615-12-8	Bushing Set (82 pcs.) - 8x8 c/w Set Screws (80 pcs.)

Extra parts included:

615-02 pins (5), 615-12 lock bushing (6) and 112-68 SHSS 1/4"-20 x 1/4" (7) for future replacement.

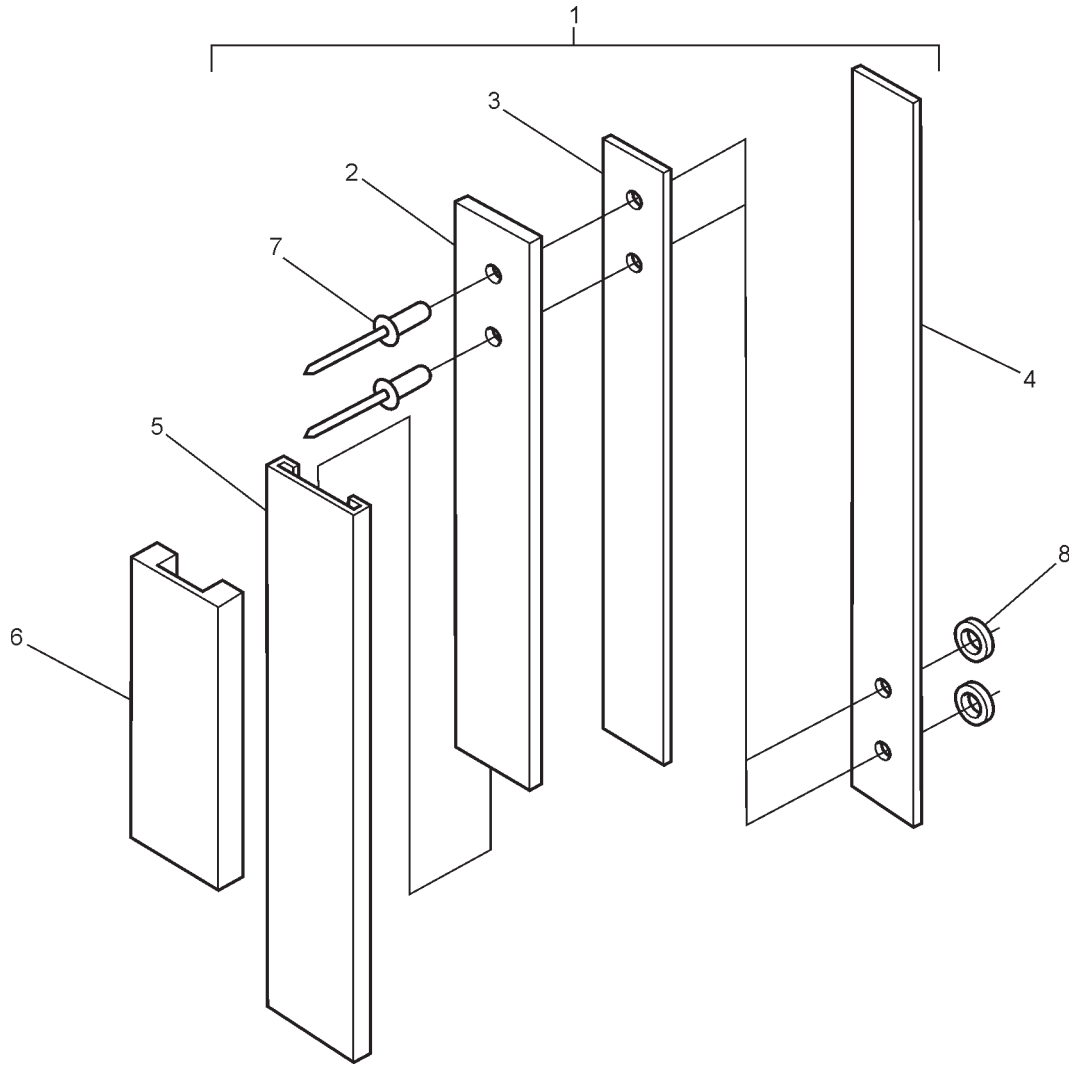
Shipping Weight and Dimensions

815-42K

6 Boxes - 615-42 Track - Dimensional Weight: 38 lbs. each; Dimensions: 22" x 20" x 14" each;
Actual Weight: 26 lbs. each

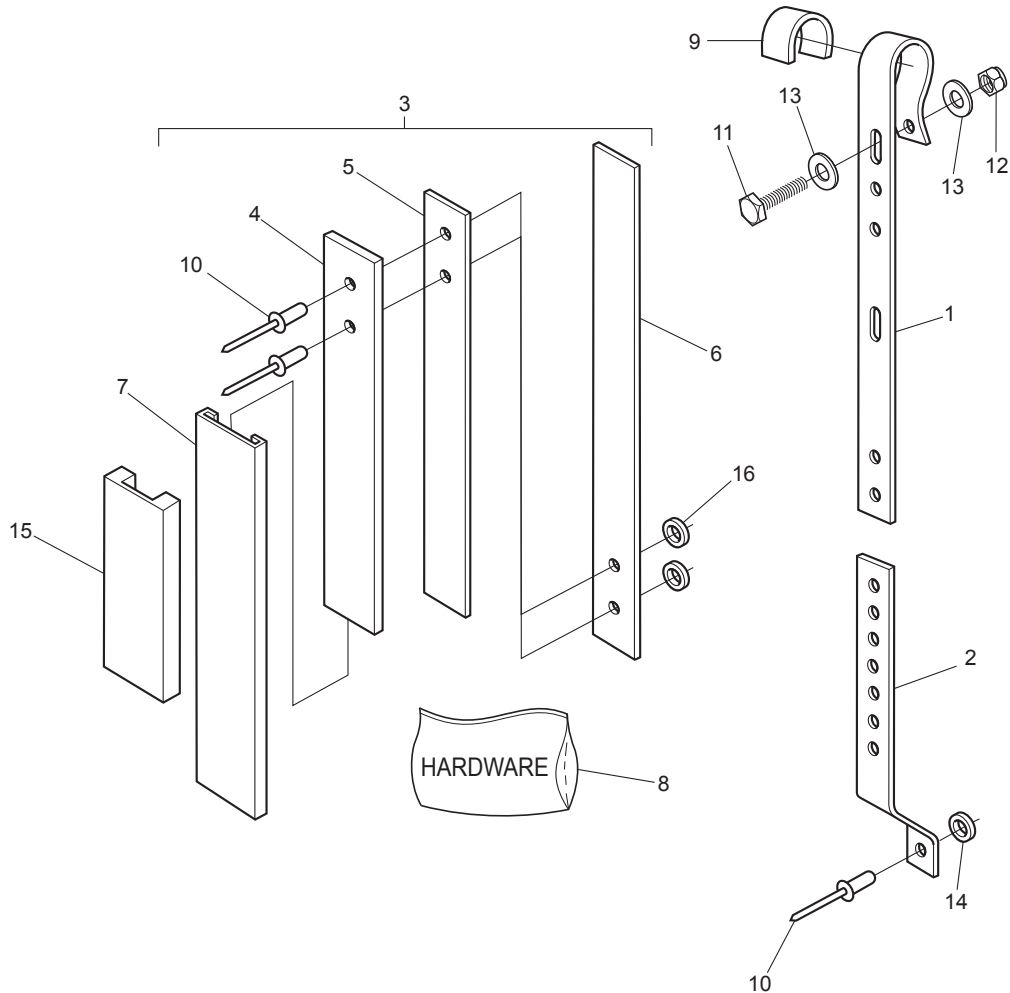
1 Box (10 pcs. 615-02-8, 1 pc. 615-12-8, 2 pcs. 615-21) - Dimensional Weight: 2 lbs.;
Dimensions: 15" x 5" x 4"; Actual Weight: 17 lbs.

821-25 Utility Bracket



Ref.	Qty.	Part #	Description
1	2	821-26	Utility Bracket Asy; each comprised of:
2	1		Flatbar, Aluminum
3	1		Velcro hook, adhesive backed
4	1		Strap, Velcro - eye
5	1		Cover, rubber
6	1	821-27	Barrel Holder
7	4	120-09	Rivet, 3/16 x 1.0 Black
8	4	108-69	Washer, Nylon .413 x .83 x .098"

821-35 Utility Rack



Ref.	Qty.	Part #	Description
1	2	821-38	Bracket, Rack Upper
2	2	821-37	Bracket, Rack Lower
3	4	821-26	Utility Bracket Asy; each comprised of:
4	1		Flatbar, Aluminum
5	1		Velcro Hook, adhesive backed
6	1		Strap, Velcro - eye
7	1		Cover, rubber
8	1	821-30HDW	Hardware Kit includes the following:
9	1	127-123	Rubber, Strip 1/4" x 1" x 6.5"
10	10	120-09	Rivet, 3/16 x 1.0 Black
11	2	103-08	HHCS 1/4-20 x 1.0 Zn
12	2	117-27	Locknut, Nylon 1/4-20 Zn
13	4	108-08	Washer, .28 x .62 x .04 Zn
14	2	120-04	Washer, .19 x .50 x .08 Zn 16
15	2	821-27	Barrel Holder
16	8	108-69	Washer, Nylon .413 x .83 x .098"

821-40 Storage Cover (Not for Highway Use)



Ref.	Qty.	Part #	Description
1	1	821-40	Storage Cover

Shipping Weight and Dimensions

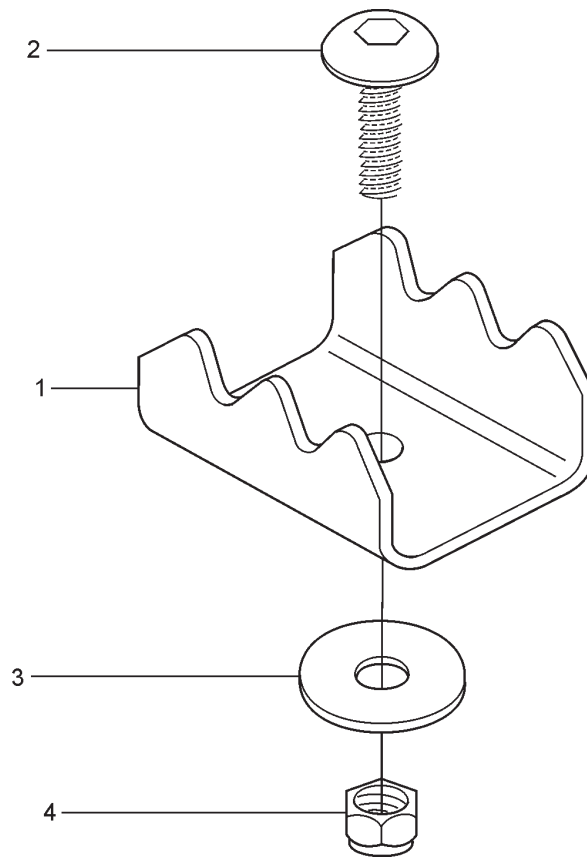
1 Piece - Dimensional Weight: 14 lbs.; Dimensions: 16" x 16" x 9"; Actual Weight: 5 lbs.

Ontario Drive & Gear
www.ARGOfatv.com



825-20 Ice Cleats (6x6 & 8x8)

Fits 8x8 Super Tracks & Frontier Rubber Track Kit



Ref.	Qty.	Part #	Description
1	36	625-21	Ice Cleat
2	36	112-33	BHCS 3/8-16 x .875 Gr8
3	36	108-26	Washer .43 x 1.02 x .09 Zn
4	36	117-14	Locknut, Centre 3/8-16

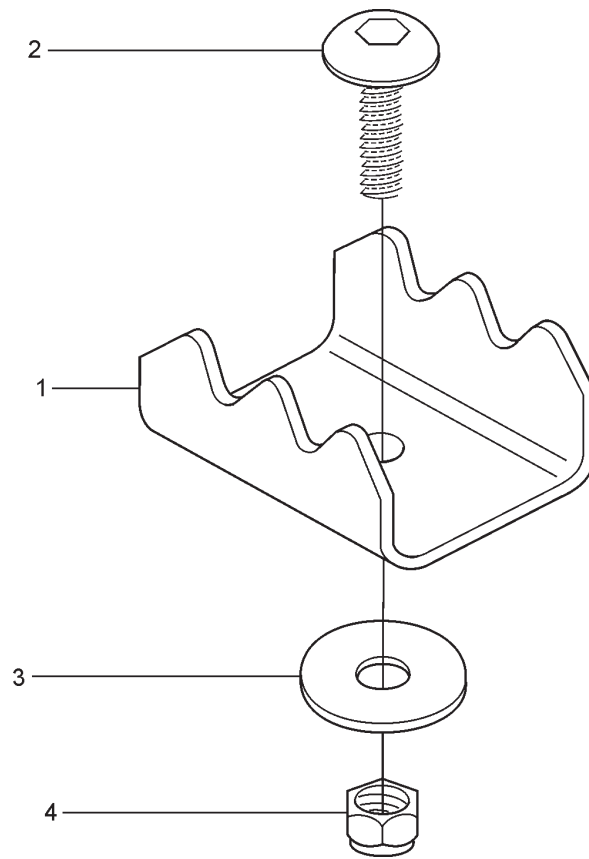
Shipping Weight and Dimensions

825-20

1 Box - Dimensional Weight: 3 lbs.; Dimensions: 8" x 6" x 8"; Actual Weight: 9 lbs.

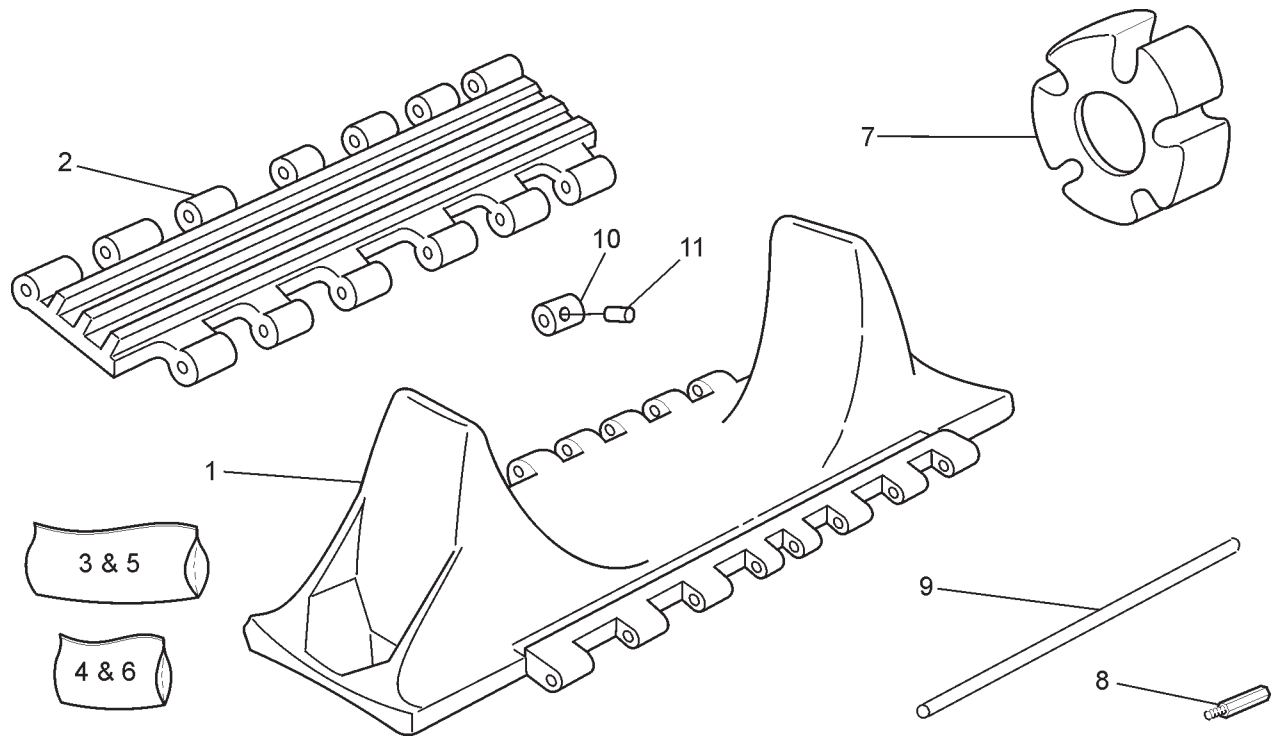
825-21 Ice Cleats (8x8)

Fits Part 825-50-1 Rubber Track Kit



Ref.	Qty.	Part #	Description
1	44	625-21	Ice Cleat
2	44	112-33	BHCS 3/8-16 x .875 Gr8
3	44	108-26	Washer .43 x 1.02 x .09 Zn
4	44	117-14	Locknut, Centre 3/8-16

825-42K Super Tracks



Ref.	Qty.	Part #	Description
1	72	625-42	Super Track Segment
2	2	615-21	Half Segment - Track - Plastic
3	1	615-02-8	Track Pin Set (82 pcs.) - 8x8
4	1	615-12-8	Bushing Set (82 pcs.) - 8x8 c/w Set Screws (80 pcs.)
5	8	605-77	Axle Extension
6	42	126-08	Extension Stud
9		615-02	Pin, Track - Chamfered+Ground
10		615-12	Bushing, Lock - 1/4"ID x 5/8"OD
11		112-68	SHSS 1/4-20 x 1/4 Knurl Pt. Zn

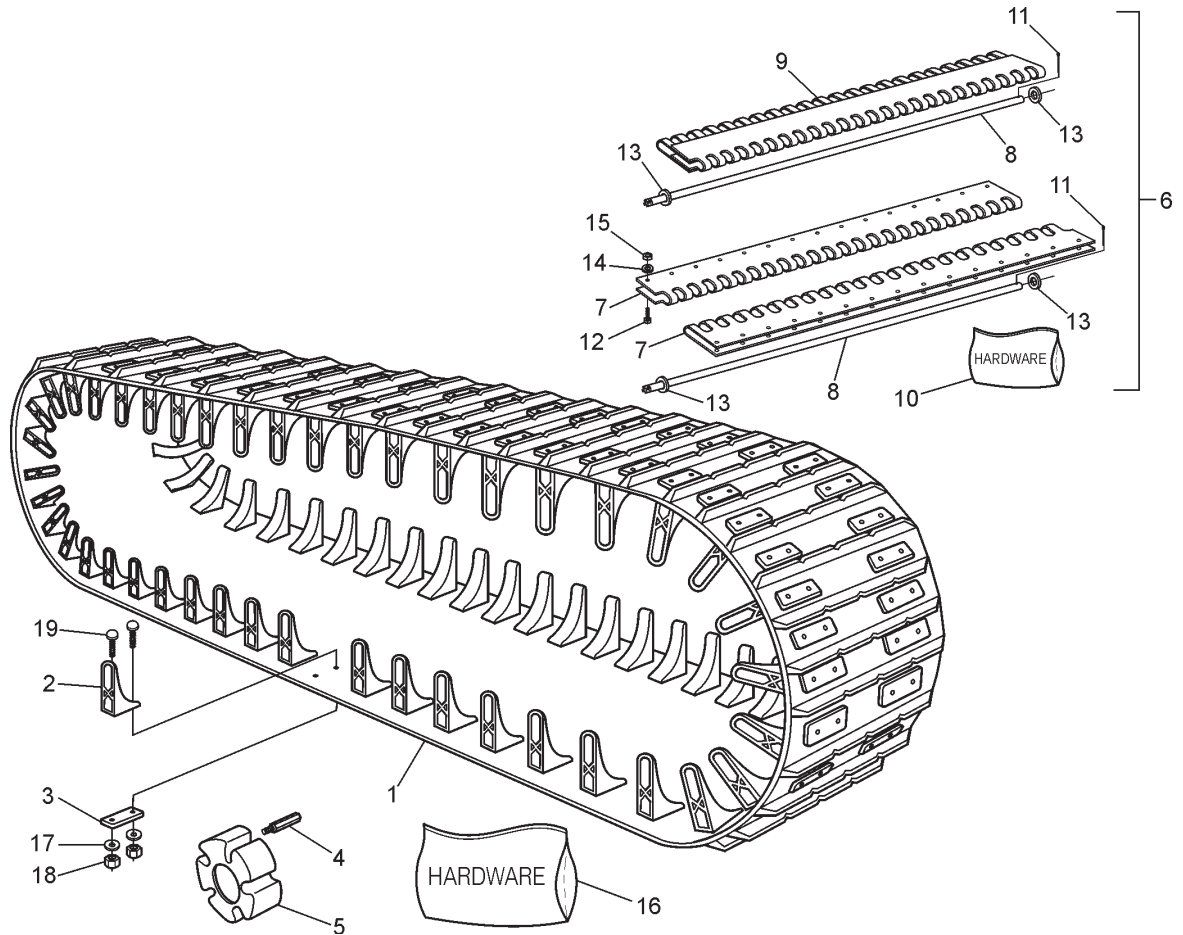
Extra parts included: 615-02 pins (7), 615-12 lock bushing (8), 112-68 SHSS 1/4" - 20 x 1/4" (9) and 2 of 126-08 Extension Stud (6), for future replacement.

Shipping Weight and Dimensions

6 Boxes 625-42 Super Track - Dimensional Weight: 38 lbs. each; Dimensions: 22" x 20" x 14" each; Actual Weight: 29 lbs. each

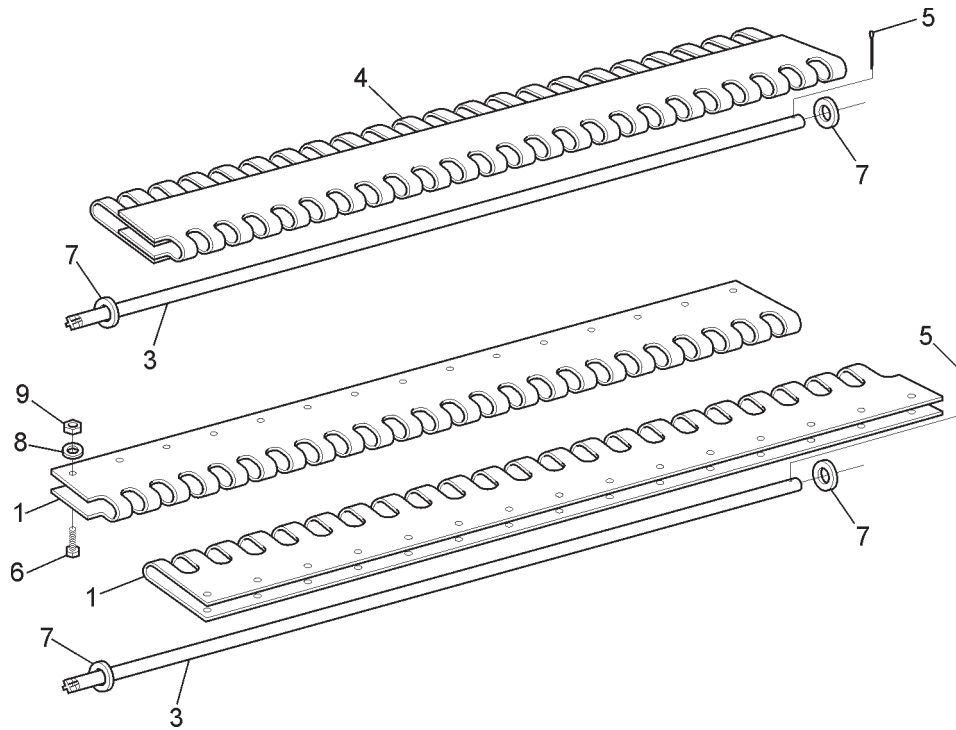
1 Box (8 pcs. 605-77, 40 pcs. 126-08, 1 pc. 615-02-8, 1 pcs. 615-12-8, 2 pcs. 615-21)
Dimensional Weight: 8 lbs.; Dimensions: 11" x 15" x 8"; Actual Weight: 38 lbs.

825-50-1 & 825-50-1-NE Rubber Tracks



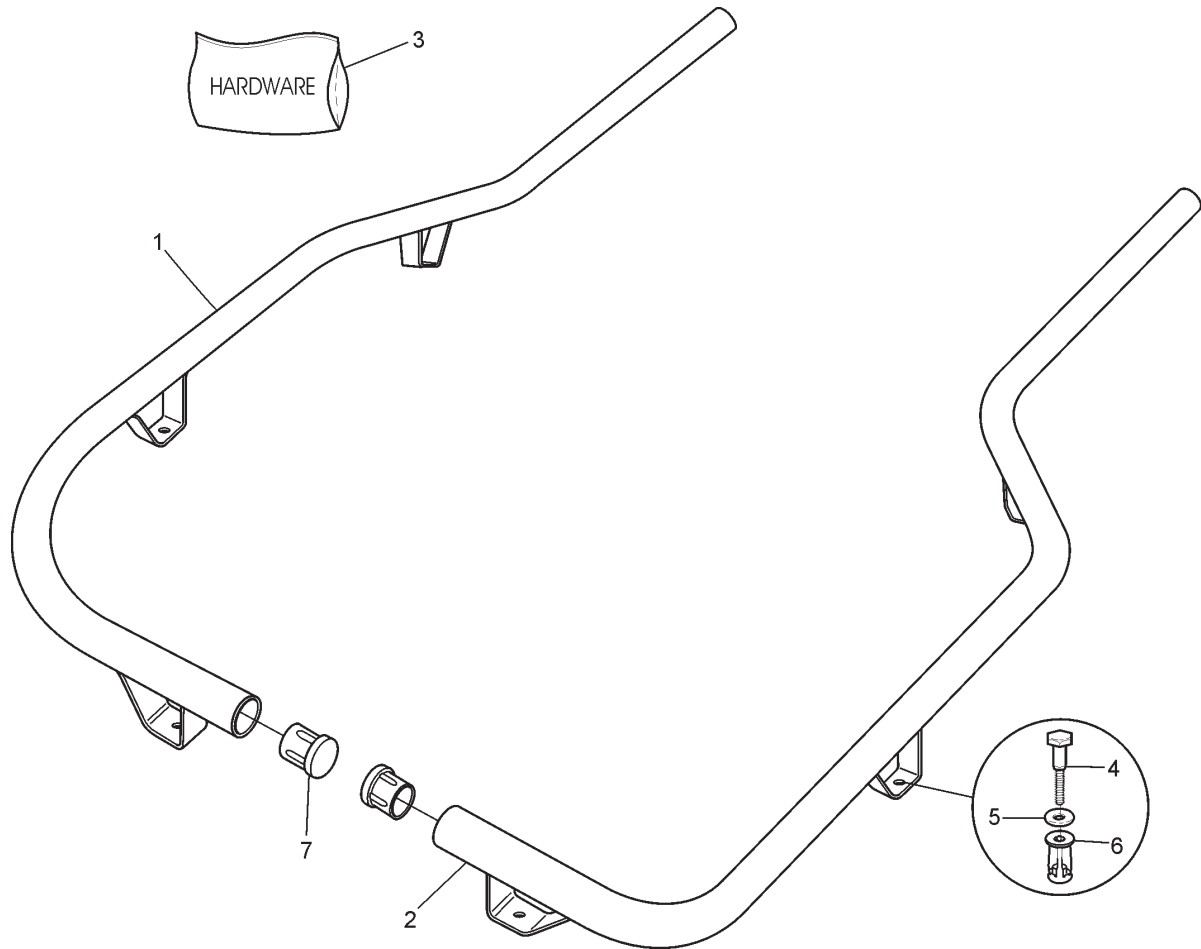
Ref.	Qty.	Part #	Description
1	2	825-51	Track, Rubber - Argo
2	180	825-52-1	Guide, Track - Argo - Nylon
3	180	825-53	Plate, Track Backing - Argo
4	42	126-08	Extension Stud, Plated (not included in 825-50-1-NE)
5	8	605-77	Extension Axle (not included in 825-50-1-NE)
6	1	825-55	Hinge Set & Extensions - 18" Rubber Tracks-includes the following:
7	4	825-54	Hinge, Track Lacing - 18"
8	4	825-56	Pin, Track - 18"
9	2	825-57	Track Extension - 2" x 18"
10	1	825-55HDW	Hardware Kit includes the following:
11	8	100-100	Pin, Cotter 1/8 x 3/4 Zn
12	60	103-08	HHCS 1/4-20 x 1.0 Zn
13	8	108-23	Washer .42 x .81 x .06 Gr8 Zn DI-C
14	60	108-08	Washer .28 x .62 x .07 Zn
15	60	117-27	Locknut, Nylon 1/4-20 Zn
16	1	825-50HDW	Hardware Kit includes the following:
17	360	108-24	Washer, .34 x .70 x .06 Zn
18	360	117-21	Locknut, Nylon 5/16-18"
19	360	112-155	Bolt, Carriage

825-55-1 Rubber Track Hinge - Avenger



Ref.	Qty.	Part #	Description
1	4	825-54	Hinge, Track Lacing-18"
2	1	825-58	Track Extension Kit - 2" x 18"
3	2	825-56	Pin, Track-18"
4	2	825-57	Track Extension-2" x 18"
5	4	100-100	Pin, Cotter 1/8 x 3/4 Zn
6	60	103-08	HHCS 1/4-20 x 1.0 Zn
7	4	108-23	Washer .42 x .81 x .06 Gr8 Zn DI-C
8	120	108-08	Washer .28 x .62 x .07 Zn
9	60	117-27	Locknut, Nylon 1/4-20 Zn

839-30 Handrails - Avenger

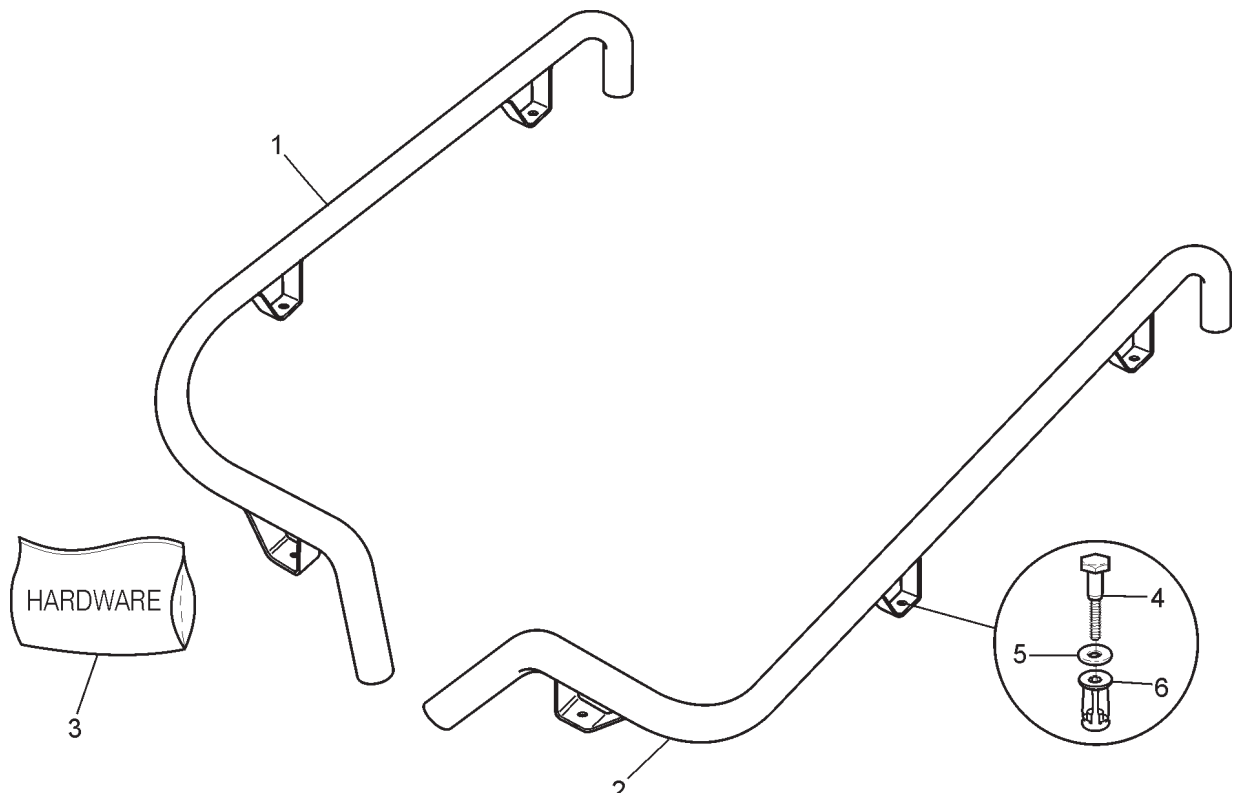


Ref.	Qty.	Part #	Description
1	1	839-31	Handrail, LH
2	1	839-32	Handrail, RH
3	1	839-30HDW	Hardware Kit includes:
4	6	103-97	HHCS 1/4-20x1.25 GR5 Zn
5	6	108-08	Washer .28x.62x.07 Zn
6	6	117-53	Nut, Jack 1/4-20 8L-JNS Zn
7	2	639-25	End Plug-Black

Shipping Weight and Dimensions

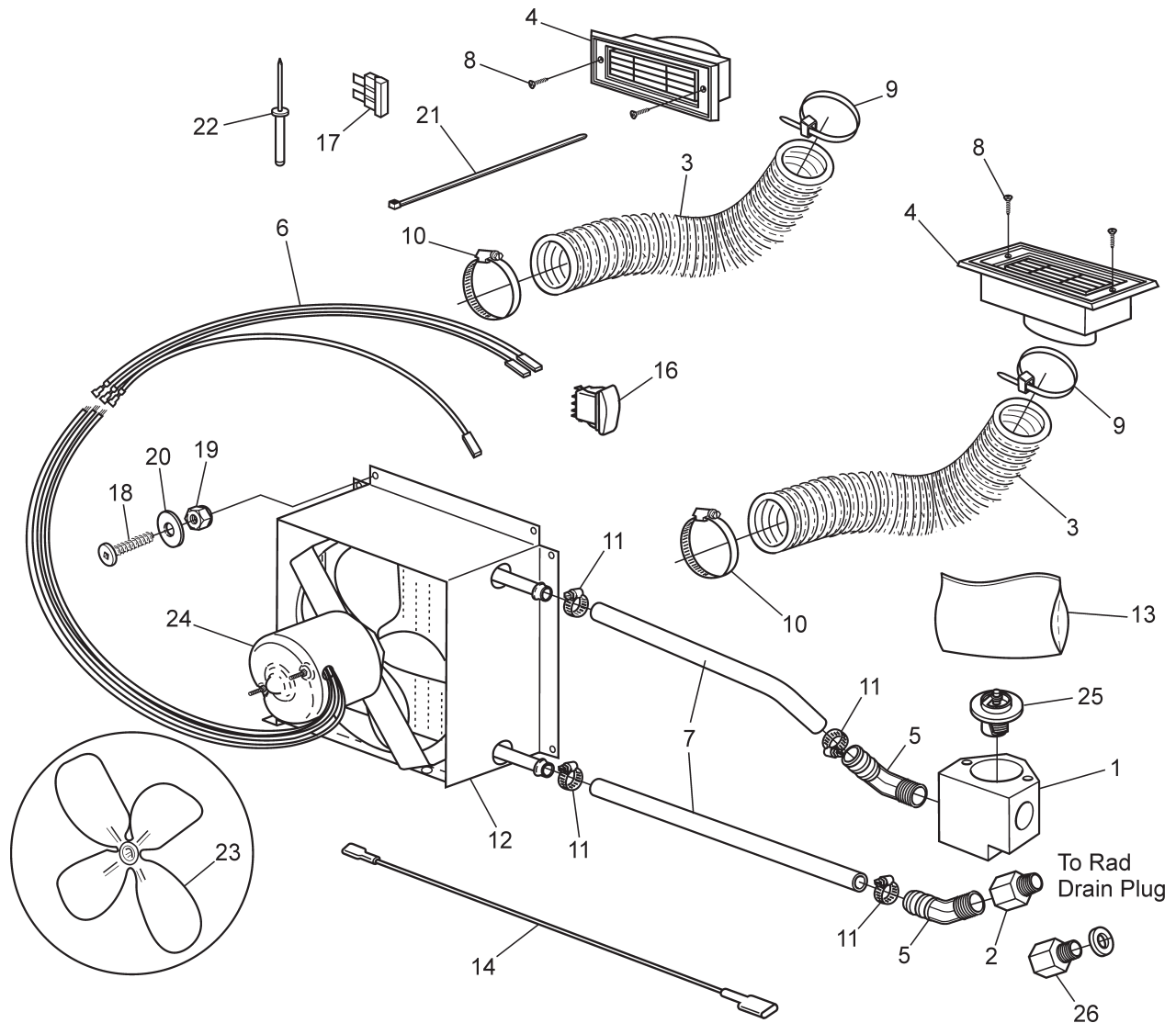
1 Piece 839-30 Handrail Kit - Dimensional Weight: 10 lbs.; Dimensions: 43" x 11" x 3.5"; Actual Weight: 5 lbs.

839-35 Handrails - Frontier



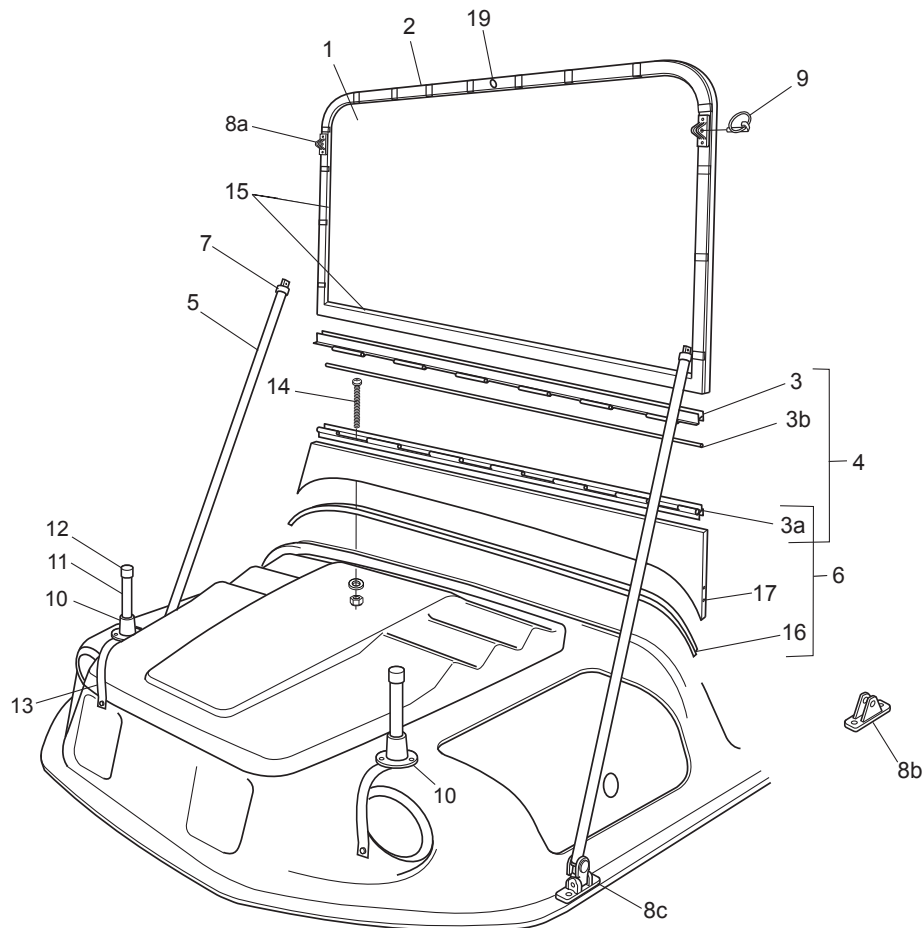
Ref.	Qty.	Part #	Description
1	1	839-37	Handrail Assembly - Frontier 8x8 - Left
2	1	839-39	Handrail Assembly - Frontier 8x8 - Right
3	1	639-20HDW	Hardware Kit includes:
4	6	103-97	HHCS 1/4-20 x 1-1/4"
5	6	108-08	Washer, 1/4"
6	6	117-53	Nut, Jack 1/4-20 8L-JNS Zn

848-170 Heater - Avenger/HDi



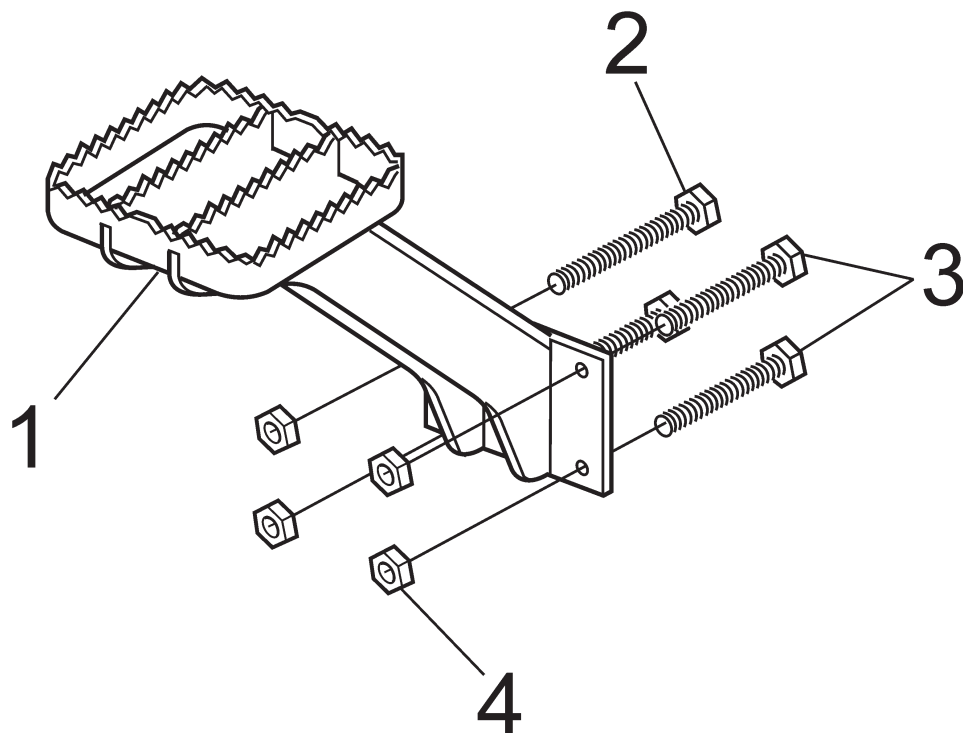
Ref.	Qty.	Part #	Description	Ref.	Qty.	Part #	Description
1	1	848-106	Housing, Heater Kit Thermostat	13	1	848-107	Kit, Thermostat
2	1	848-99	Fitting, Reducer, 3/8-1/4 NPT	14	1	613-167	Ground Wire, Heater Switch
3	2	848-33	Hose, Air 2.5" x 26"	16	1	613-157	Switch, Heater Fan
4	2	848-34	Louver, 2.5" Oval Inlet	17	1	118-52	Fuse, 10A 2 Prong (A010)
5	2	848-64	Barb, Hose 45 Elbow	18	4	103-25	PHMS 10-24x3/4 Zn
6	1	848-37	Wire Harness-Avg. Heater	19	4	117-10	Locknut, 10-24 N/I Zn
7	1	848-38	Hose, Antifreeze - 5/8"x 40.5"	20	4	120-04	Washer .19x.50x.08 Zn
8	4	112-139	OHPS T/S #4 x 5/8 Black Zn	21	4	100-64	Tie Wrap-5.5"- Black
9	4	100-102	Tie Wrap - 14"-White- 50 lbs.	22	14	120-11	Rivet-5/32x9/16 Black
10	2	100-12	Clamp, Gear - 2.25" HF-36	23	1	540114	Fan - Blade c/w Set Screw
11	4	638-16	Clamp, Gear - 5/8"	24	1	540111	Motor - Fan
12	1	848-15	Core, Fan & Motor ASM - Heater	25	1	66 453 03	205 Degree Thermostat
				26	1	848-174	Adapter, M12 x 1.25-3/8 Fpt.

848-171 Windshield - HDi/Avenger



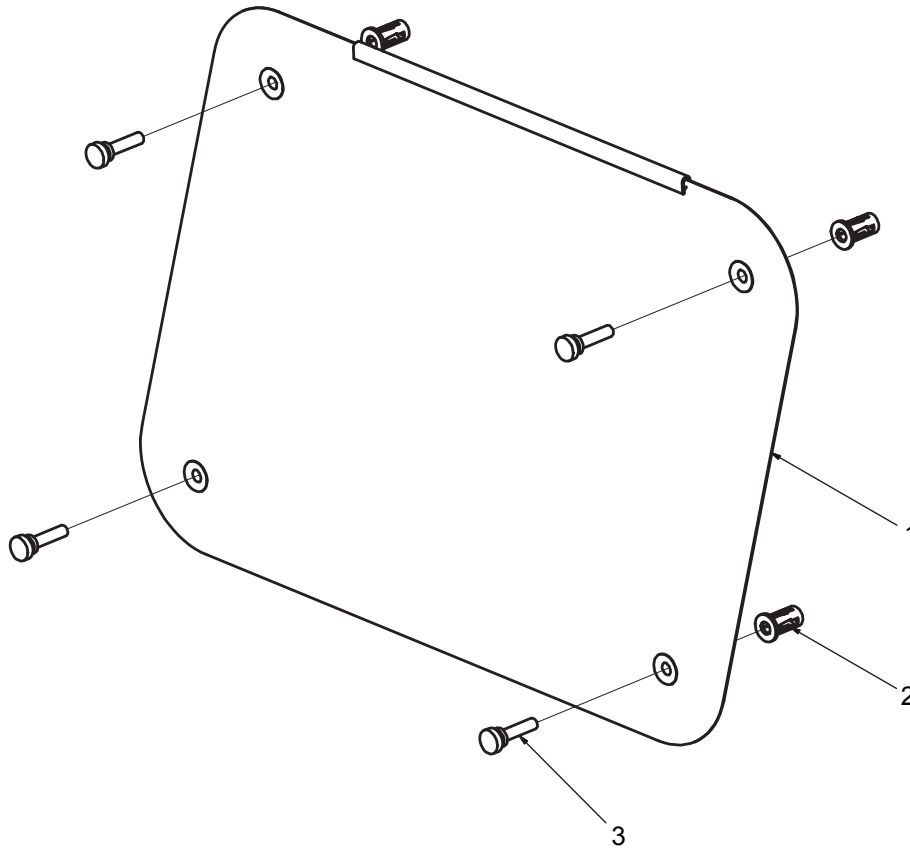
Ref.	Qty.	Part #	Description
1	1	002905-1C-AVG-A	Windshield, Acrylic, Avenger
2	1	002905-2B-AVG	Top Bar (Black)
3	1	002905-3B-AVG	Hinge, Top (Black)
3a	1	002905-3A'-B-AVG	Hinge, Bottom and Gasket Inside
3b	1	002904-3B-B	Rod, Aluminum
4	1	002905-4B-AVG	Complete Hinge Set - Black, (#3, 3a & 3b)
5	2	002904-5B	Support Arm (Black)(Complete with socket ends, #7)
6	1	002905-6B-AVG	Acrylic Base, Gasket and Bottom Hinge (#3a & 16)
7	4	002904-7B	Socket End (Black)
8a	2	002904-8A-B	Angled Deck Bracket For Pin (Black) And Gasket
8b	2	002904-8B-B	Straight Deck Bracket For Pin (Black)
8c	2	002904-8C-B-180	Swivel Deck Bracket For Screw (Black)
9	2	627-03	Quick Pin
10	2	002904-10B	Round Base (Black)
11	2	002904-11C	Tube, 7.250" (Black)
12	2	002904-12B	PVC Black Cap
13	2	002904-13B	Strap (Black)
14	5	002905-14-AVG	Bolts, Stainless Steel 3 1/2" + Washer + Nut
15	1	002905-15-AVG	Gasket Around Glass
16	1	002905-16-AVG	Gasket - Windshield to Body
17	5	002904-17	#8 x 1-1/2" Phillips Head Screw
18	15	002904-18	#8 x 1" Phillips Head Screw (Not Illustrated)
19	2	002904-19	PVC Black Cap Hole Wiper
20	2	627-10	Dome Stud #8 x 3/8" #688

848-173 Entry Step



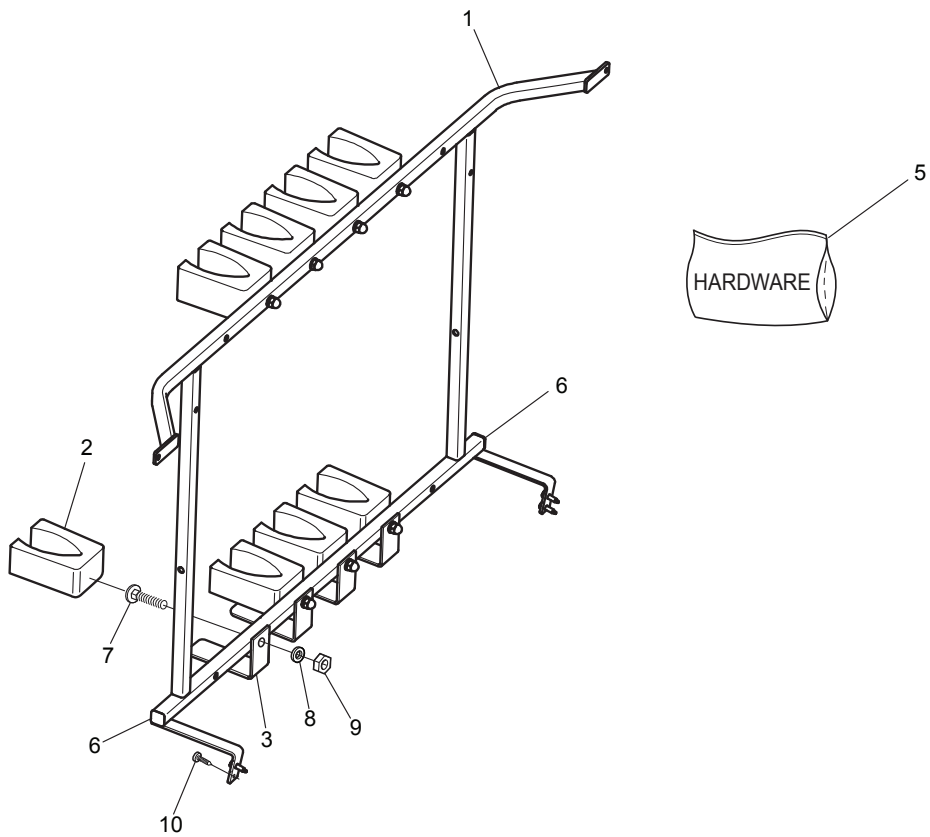
Ref.	Qty.	Part #	Description
1	1		Step Asy, Entry - Avenger (Not sold separately)
2	1	103-76	HHCS 3/8-16x1.75 Gr5 Zn
3	3	103-82	HHCS 3/8-16x1.5 Gr5 Zn
4	4	117-29	Locknut, Nylon 3/8-16 Zn

848-195 Intake Debris Screen



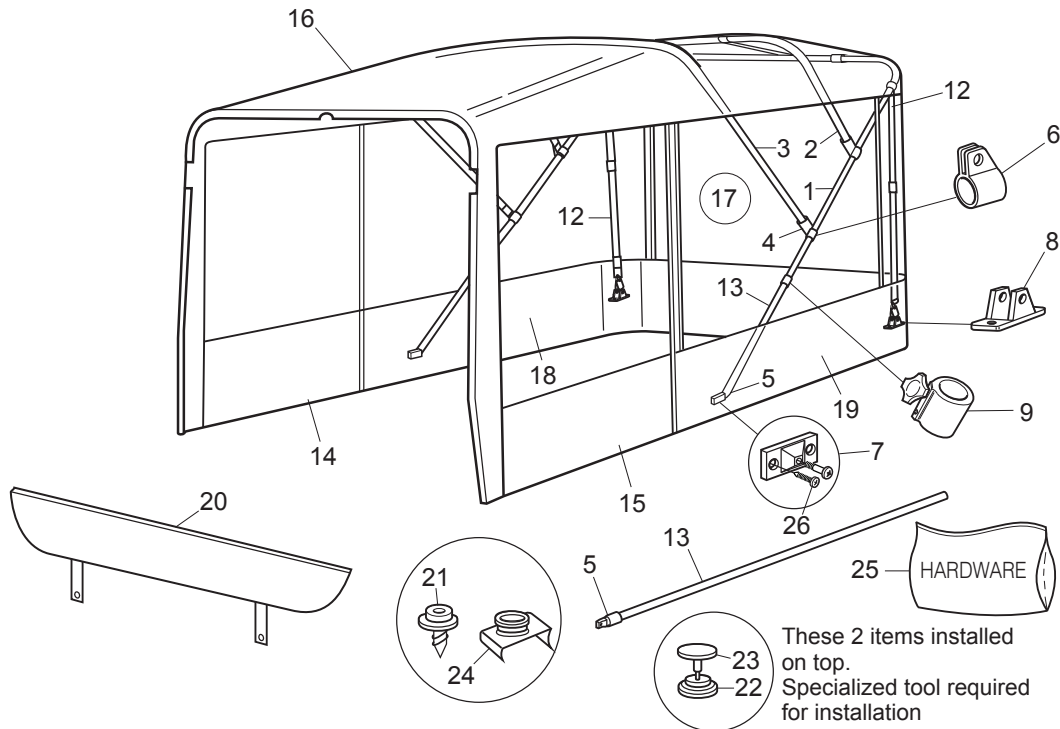
Ref.	Qty.	Part #	Description
1	1	707-51	Screen, Intake Debris- Argo
2	1	117-53	Nut, Jack 1/4-20 8L-JNS Zn
3	1	117-89	Thumbscrew, 1/4-20 x 1, Nylon

848-200 Vertical Gun Rack



Ref.	Qty.	Part #	Description
1	1	848-205	Rack, Behind Seat Monnt
2	8	848-207	Sure Grip Head W/ Velcro
3	4	848-206	Butt Plate
5	1	848-200HDW	Gun Rack Hardware
6	2	867-18	Plug, End 3/4" Tube - Black
7	8	112-155	C/Bolt 5/16-18x1.25 Gr2 Zn
8	8	642-74	Lockwasher 5/16 Split Blk Zn
9	8	642-75	Nut, Acorn 5/16-18 Blk Zn
10	4	112-102	Screw, Self Drill 12-14x3/4"

849-40 (Black) Convertible Top

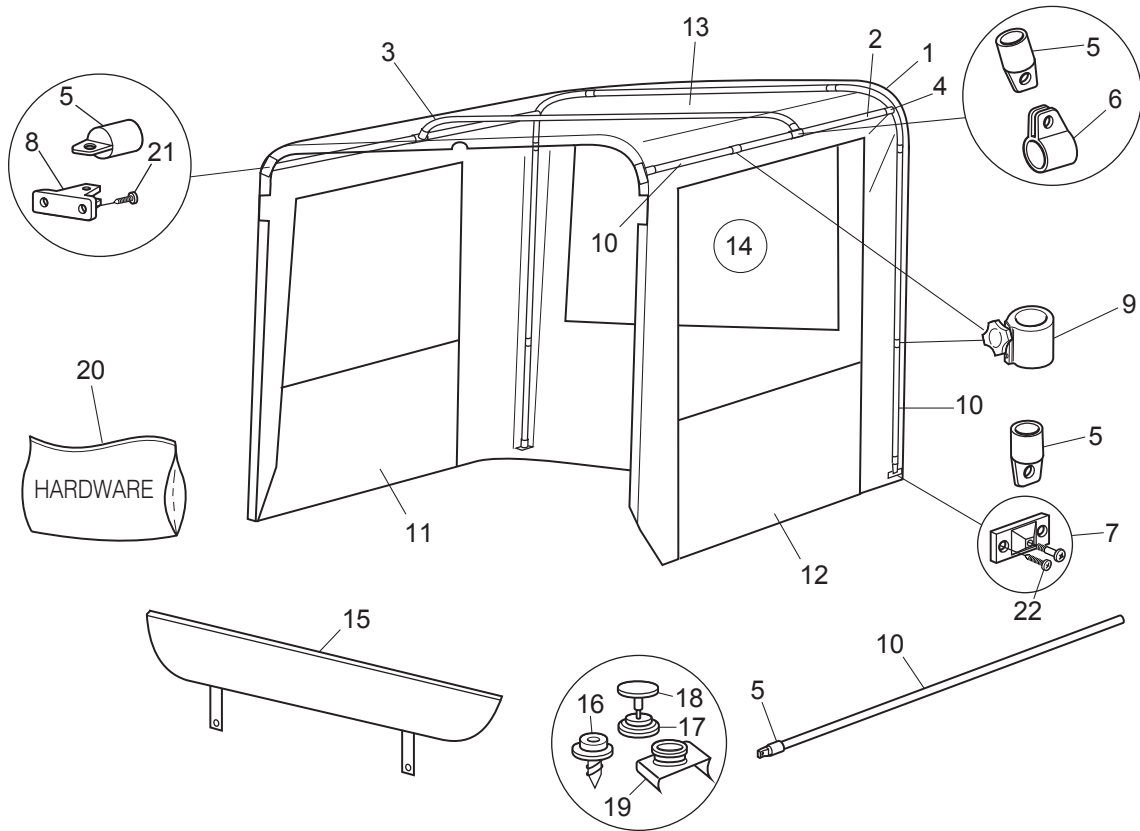


Ref.	Qty.	Part #	Description	Ref.	Qty.	Part #	Description
1	1	AV8F1	Main Frame (crowned)	19	1	849-40 SLB	1/4 panel complete left side - Black
2	1	AV8F2	Mid Frame "	20	1	BOOTAVB	Boot - Black (this boot is specific fit for bow in frames)
3	1	AV8F3	Front Frame "	21*	31	627-10	Dura Screw Stud 3/8"
4	4	849-33	Eye End 7/8"	22	59	4003E	Stainless Steel Screw Socket nickel plated brass (snap fastener)
5*	2	849-11	Eye End 3/4	23	59	4002E	Finish Cap Black finish brass (snap fastener)
6	6	849-32	Jaw Slide 7/8"	24*	16	627-02	Windshield Clip Stud
7*	2	649-32	Side Mount (comes with shoulder screw)	25	1	AV8F4	Hardware Package
8*	2	627-07	Deck Mount				
9*	2	649-34	Adjusting Collar	26*	8		Stainless Steel Screw #8 x 1" Phillips head
12	2	ARF5	Tension Strap with hooks				
13	2	ARF4	Adjusting Pole 30"x3/4 c/w eye end 3/4				
14	1	849-40 DRB	Door Panel, right side - Black				
15	1	849-40 DLB	Door Panel, left side - Black				
16	1	849-40 RB	Roof Only, Black				
17	1	849-40 RDB	Rear Door, Black (Tail Gate)				
18	1	849-40 SRB	1/4 panel complete right side - Black				

Shipping Weight and Dimensions

1 piece - Dimensions: 52" x 4" x 43"; Actual Weight: 30 lbs.

849-45 (Black) Convertible Half Top



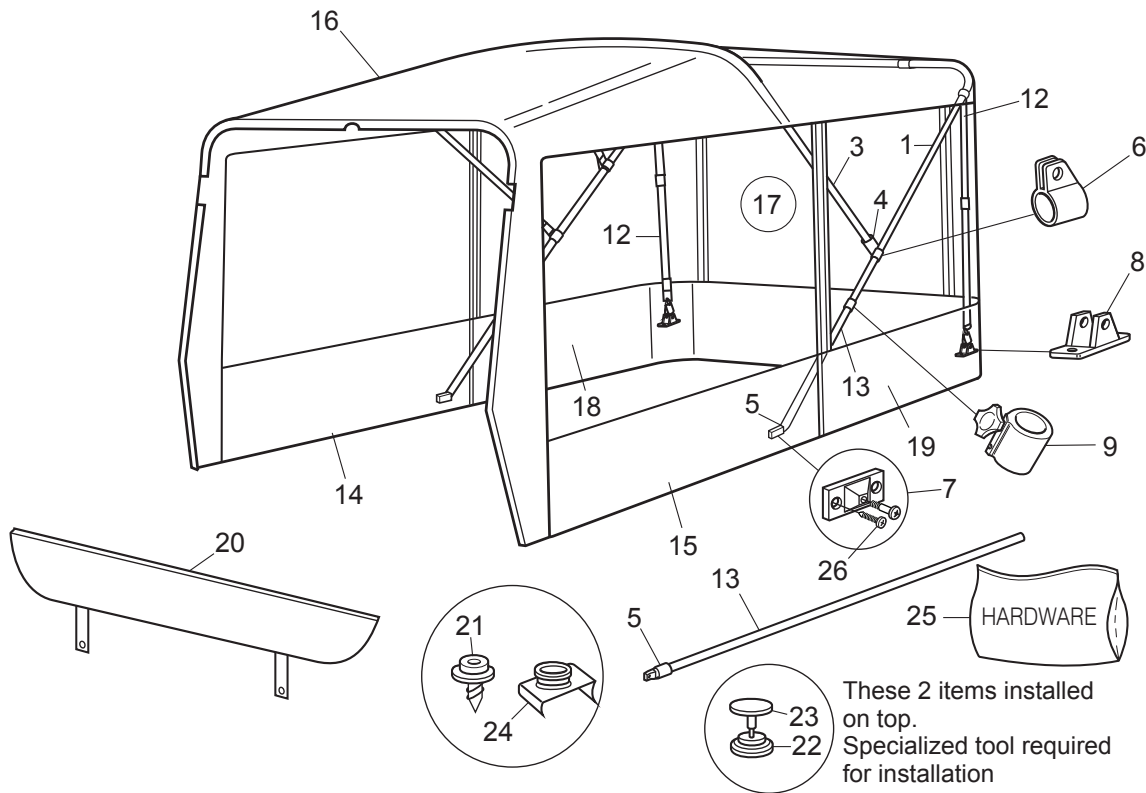
Ref.	Qty.	Part #	Description	Ref.	Qty.	Part #	Description
1	1	AVHF1	Main Frame (crowned)	15	1	BOOTAVB	Boot - Black
2	2	AVHF2	Stand off Requires adjusting pole & adjusting collar	16*	19	627-10	Dura Screw Stud 3/8" Stainless - 11022T
3	1	AVHF3	Mid Frame (crowned)	17	43	4003E	Socket, Nickel Plated Brass
4	4	849-33	Eye End 7/8" - 2547E	18	43	4002E	Finish Cap Black painted brass
5	4	849-11	Eye End 3/4" - 2546E	19*	16	627-02	Windshield Clip Stud - 11031T
6	4	849-32	Jaw Slide 7/8" - 2605E	20*	1	AVHF4	Hardware Package
7*	2	649-32	Side Mount - 2659E (comes with shoulder screw)	21*	4	2325	Stainless Steel Screw 1/2" x #8 Phillips
8*	2	627-07	Deck Mount - 2715E	22*	4		Stainless Steel Screw 1" x #8 Phillips
9	4	649-34	Adjusting Collar - 2785E				
10	4	ARF4	Adjusting Pole C/W 3/4" eye end 30" x 3/4"				
11	1	849-45DR	Door Panel Right Side - Black				
12	1	849-45DL	Door Panel Left Side - Black				
13	1	849-45R	Roof Only - Black				
14	1	849-45RD	Rear Door Only - Black (Tail Gate)				

Shipping Weight and Dimensions

1 piece - Dimensions: 52" x 4" x 43"; Actual Weight: 30 lbs.

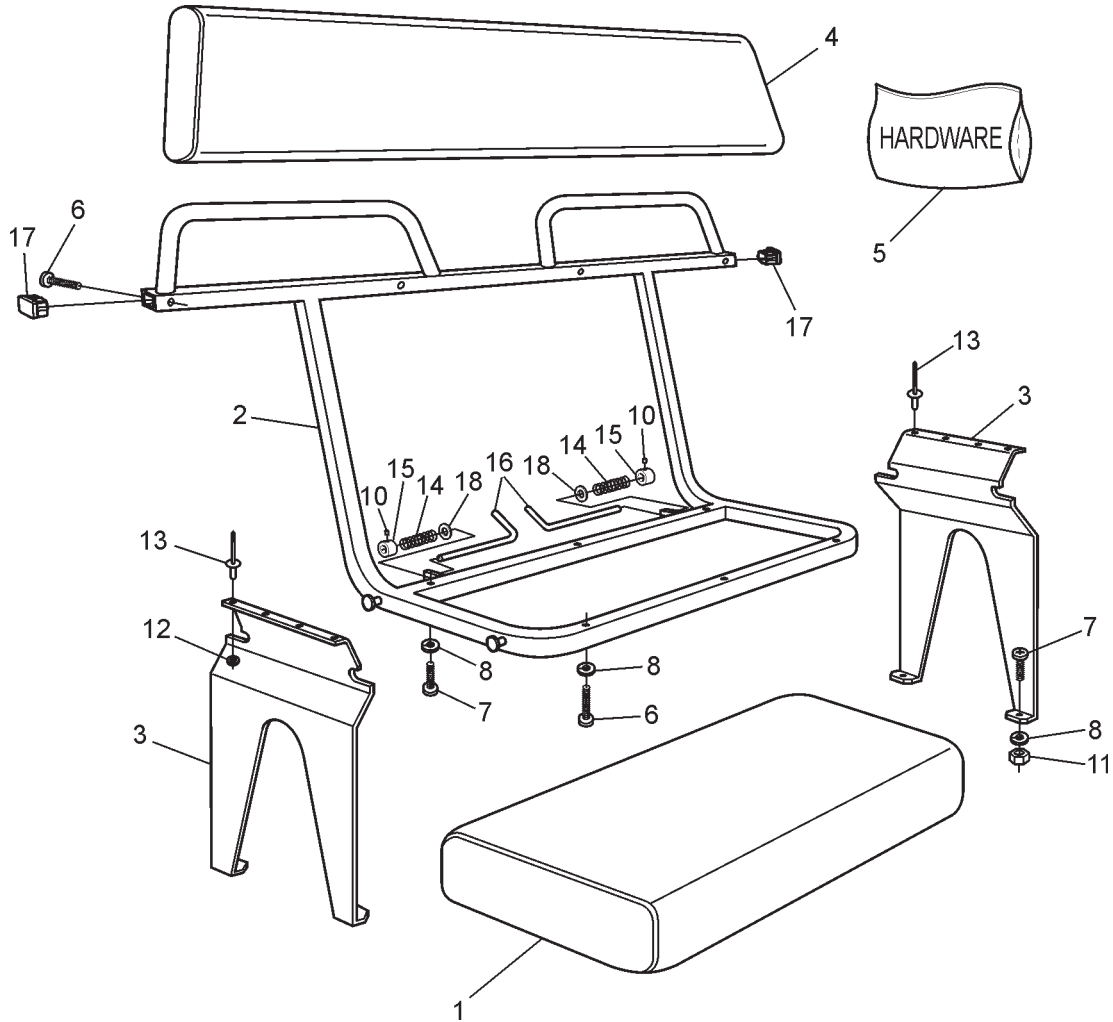


849-51 8x8 Convertible Top (Frontier 650)



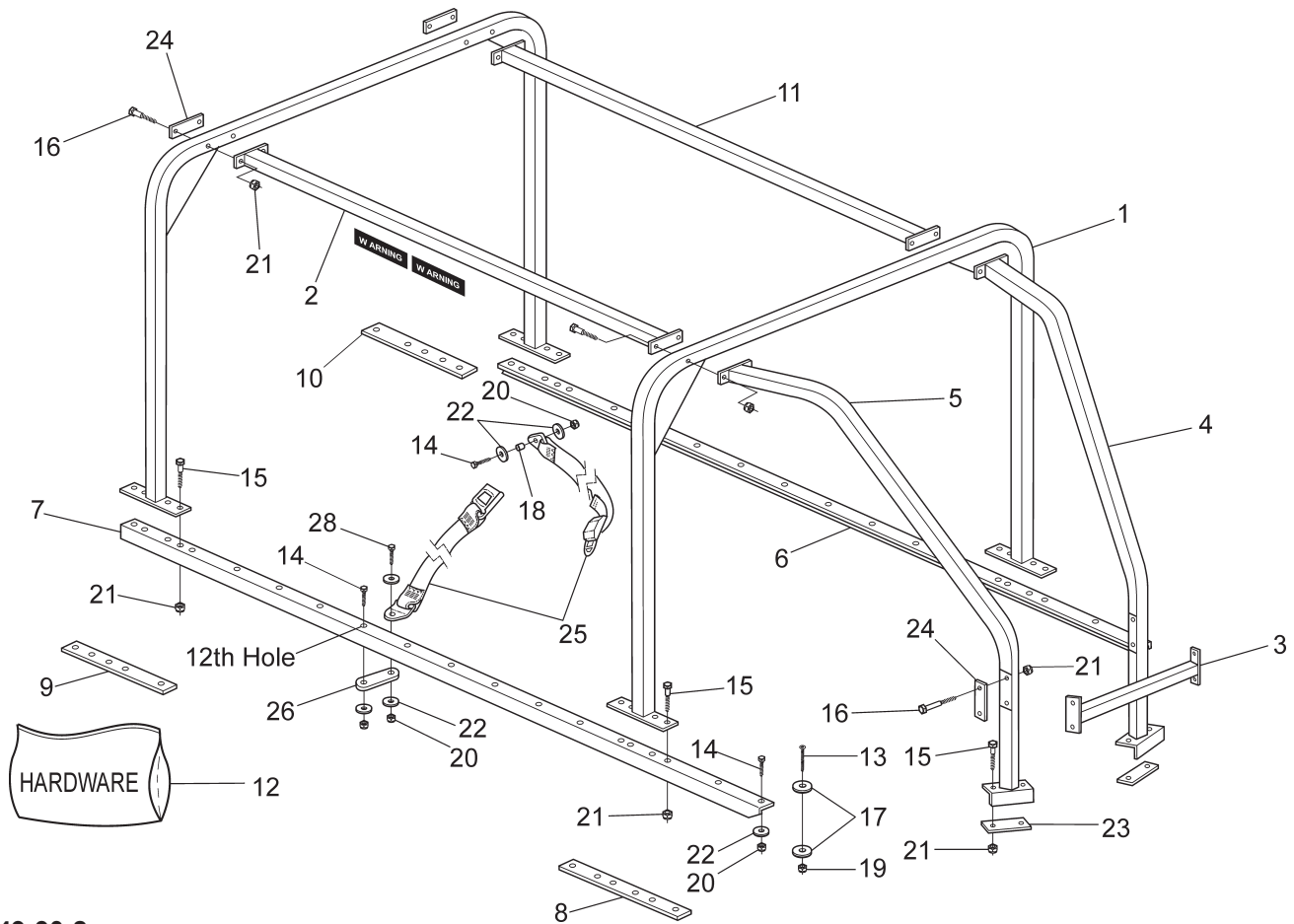
Ref.	Qty.	Part #	Description	Ref.	Qty.	Part #	Description
1	1	AV8F1	Main Frame (crowned)	20	1	BOOTAVB	Boot Black (this boot is specific fit for bow in frames)
2	1	AV8F2	Mid Frame "				
3	1	AV8F3	Front Frame "				
4	4	849-33	Eye End 7/8"	21*	35	627-10	Dura Screw Stud 3/8"
5*	2	849-11	Eye End 3/4				Stainless Steel Screw
6	6	849-32	Jaw slide 7/8"	22	63	4003E	Socket nickel plated brass (snap fastener)
7*	2	649-32	Side Mount (comes with shoulder screw)	23	63	4002E	Finish Cap Black finish brass (snap fastener)
8*	2	627-07	Deck Mount	24*	16	627-02	Windshield Clip Stud
9*	2	649-34	Adjusting Collar	25	1	AV8F4	Hardware Package
12	2	ARF5	Tension Strap with hooks				*Indicates which parts are part of the hardware package
13	2	ARF4	Adjusting Pole 30"x3/4 c/w eye end 3/4	26*	8		Stainless Steel Screw #8 x 1" Phillips head
14	1	849-51 DRB	Door Panel, right side - Black				
15	1	849-51 DLB	Door Panel, left side - Black				
16	1	849-51 RB	Roof Only - Black				
17	1	849-51 RDB	Rear Door, Black (Tail Gate)				
18	1	849-51 SRB	1/4 panel complete right side - black				
19	1	849-51 SLB	1/4 panel complete left side - black				

849-80 Rear Bench Seat



Ref.	Qty.	Part #	Description
1	1	849-87	Seat Assembly, Rear Bench-AVG
2	1	849-81	Frame ASM, Rear Seat - AVG
3	2	849-86	Bracket, Side Support
4	1	608-39	Backpad ASM, Black
5	1	849-80HDW	Hardware kit comprised of:
6	7	103-03	PHMS 1/4-20 x 1.50 Zn
7	7	103-73	THMS, PHIL 1/4 x 20 x .75 Zn
8	14	108-03	Lockwasher 1/4 Split Ring Zn
9	4	108-08	Washer .28 x .62 x .07 Zn
10	2	112-02	SHSS 10-24 x 1/4 Knurl Cup Pt, PI
11	4	117-20	Nut, Fin Hex 1/4 - 20 Zn
12	8	120-04	Washer .19x.50x.08 Zn
13	8	120-09	Rivet - 3/16 x 1.0 Black
14	2	127-22	Spring, Compression - Zn
15	2	812-17	Collar
16	2	849-72	Pin, Pull
17	2	849-88	Cap, 7/8 x16 GA.SQ.Tube-AVG
18	2	108-15	Washer, .42x.81x.05 Zn

849-90-2, 849-90-4 Roll Over Protective Structure (ROPS)



849-90-2

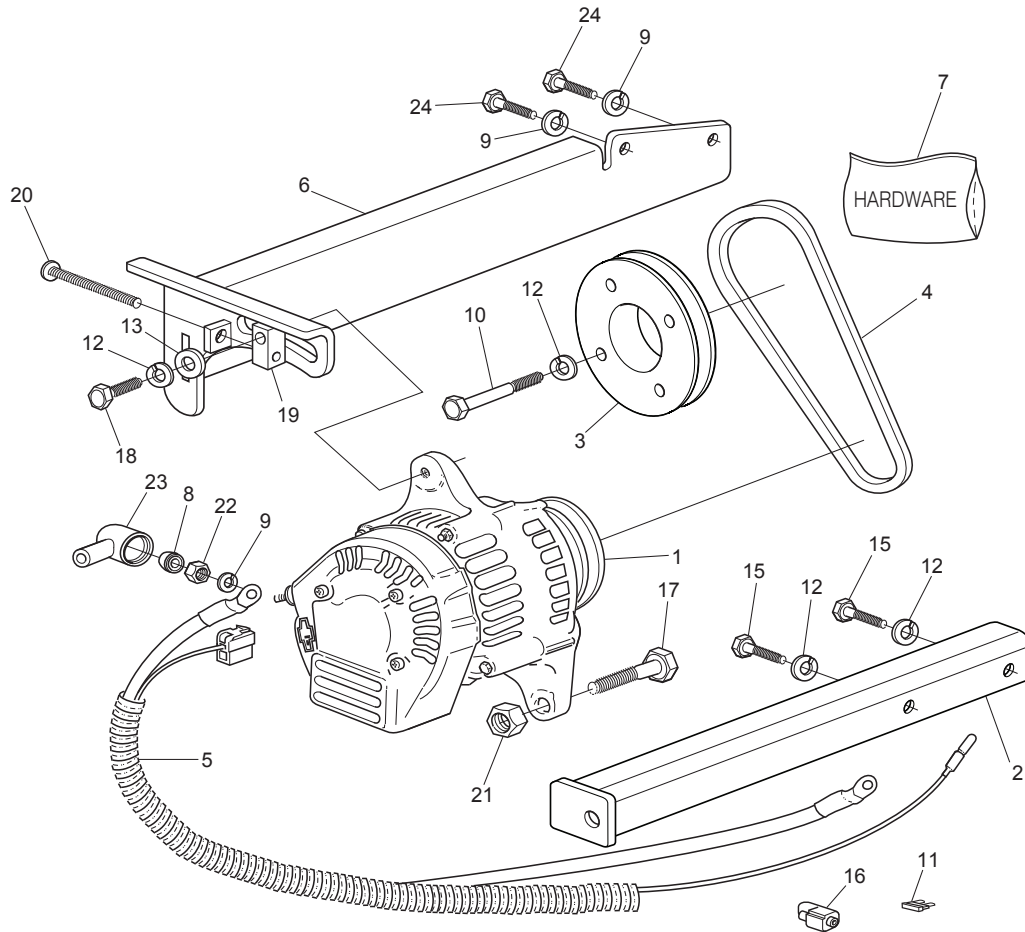
Ref.	Qty.	Part No.	Description	Ref.	Qty.	Part No.	Description
1	2	849-97	Hoop Assembly	21	32	117-66	Locknut, Nylon 2-13 Zn
2	1	849-79	Tube Assembly - Top	22	38	108-26	Washer .43x1.02x.09 Zn
3	1	849-91	Tube Assembly - Front	23	2	848-54	Flange, Bumper - Front
4	1	849-93	Brace Assembly - Front Left	24	4	848-55P	Flange, Tube
5	1	849-94	Brace Assembly - Front Right	25	2	848-56	Seatbelt Assemblies
6	1	848-58	Angle Iron - Left	26	2	848-57	Strap, Belt Anchor
7	1	848-59	Angle Iron - Right	27	1	849-77	Trim, Vinyl - 10"
8	2	849-98	Stiffener, Front	28	4	103-34	HHCS, 3/8-16x1.25 Gr5 Zn
9	1	849-99	Stiffener, Right Rear	29	4	108-27	Lockwasher 7/16 Split-Ring Zn
10	1	849-89	Stiffener, Left Rear	30	4	108-34	Washer .47x.94x.06 Zn
11	1	848-167	Tube Ass'y - Top, No Label	31	4	112-210	HHCS 7/16-20x0.75 Gr5 Zn
12	1	849-90HDW	Hardware kit comprised of:	Additional Parts for 849-90-4			
13	4	103-03	PHMS 1/4 20x1.50 Zn	2	2	848-56	Seatbelt Assemblies
14	26	103-76	HHCS, 3/8-16x1.75 Gr5 Zn	2	2	848-57	Strap, Belt Anchor
15	20	112-66	HHCS, 1/2-13x2.0 Gr5 Zn	1	1	849-80	Rear Bench Seat Kit (including instructions)
16	12	112-157	HHCS, 1/2-13x3.25 Gr5 Zn	2	2	108-64	Spacer, 3/8x1/2x3/8"
17	8	108-01	Washer, Fender 1/4 BSx1.25OD				
18	6	108-64	Spacer, 3/8x1/2x3/8"				
19	4	117-27	Locknut, Nylon 1/4-20 Zn				
20	30	117-29	Locknut, Nylon 3/8-16 Zn				

Shipping Weight and Dimensions

1 Box 849-90-2 Kit - Dimensional Weight: 173 lbs.; Dimensions: 61" x 47" x 10"; Actual Weight: 130 lbs.

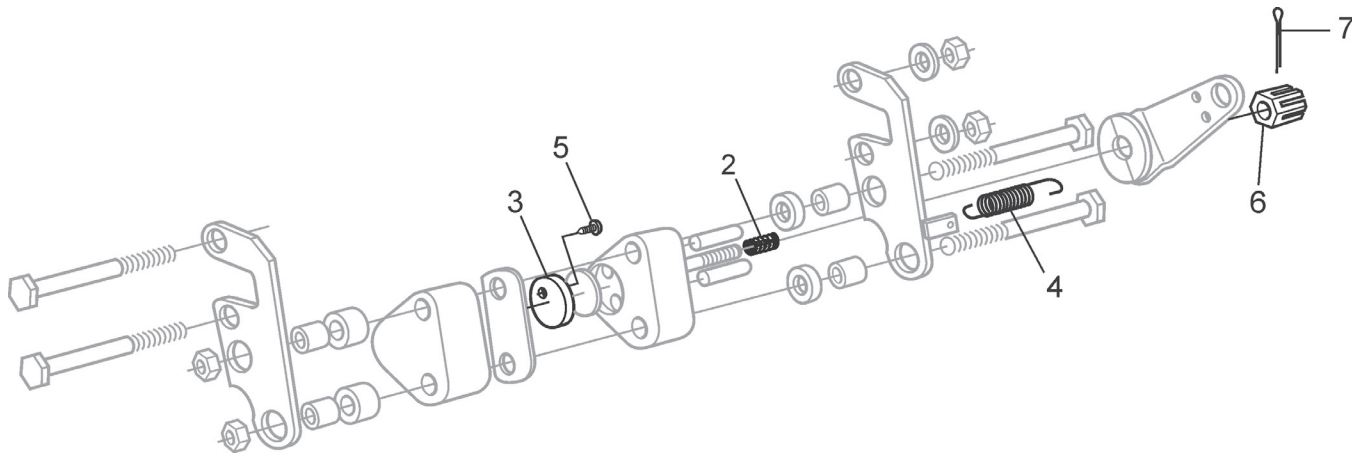
1 Piece 2 x Angle Irons; Dimensional Weight: 1 lb.; Dimensions: 84" x 2" x 1"; Actual Weight: 16 lbs.

850-54 - Alternator - HDi & Avenger



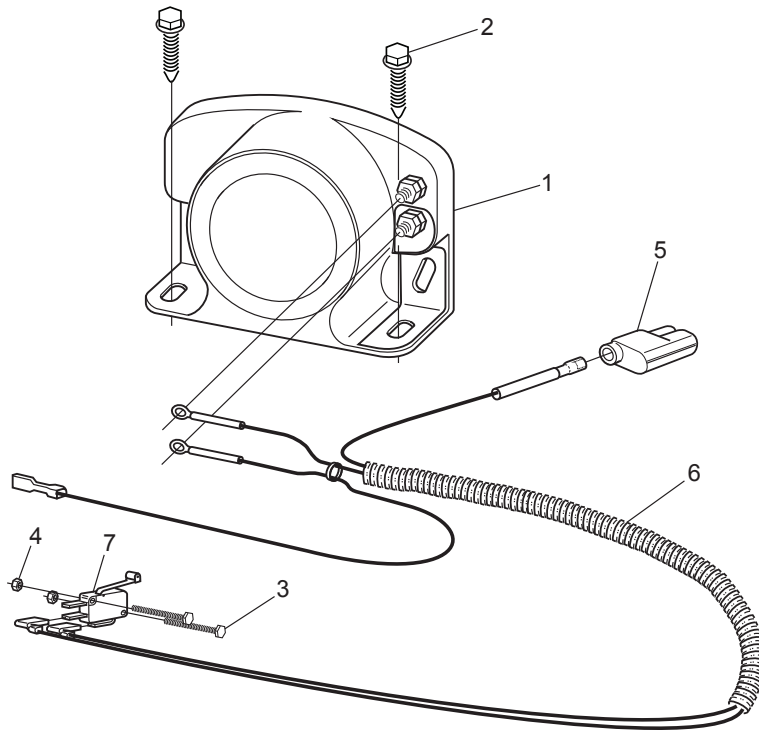
Ref.	Qty.	Part #	Description	Ref.	Qty.	Part #	Description
1	1	850-41	Alternator - 40 amp	19	1	850-52	Block, Adjuster
2	1	850-181	Bracket Assy, Altr Engine Lower	20	1	112-65	RHMS 1/4 - 20 x 3" Phil Zn
3	1	850-59	Pulley, V-Belt	21	1	117-60	Locknut, Nyloc M10 x 1.5mm Zn8
4	1	850-45	V-Belt, 3/8" x 19"	22	1	117-63	Nut, Hex M6 x 1.0 Zn
5	1	850-58	Wire Harness	23	1	613-45	Insulator, Terminal (6ga.)
6	1	850-180	Bracket Assy, Altr Engine Upper	24	2	112-97	HHCS M6 x 1,0 x 25mm Zn
7	1	850-54HDW	Hardware Kit comprised of:				
8	1	117-94	Pushnut, 5/32" Shaft				
9	3	108-03	Lockwasher 1/4" Split Ring Zn				
10	4	112-167	HHCS M8 x 1,25 x 80 mm Zn				
11	1	118-52	Fuse, 10A 2-Prong				
12	7	108-05	Lockwasher 5/16" Split Ring Zn				
13	1	108-24	Flat Washer .34 x .70 x .06 Zn				
15	2	112-20	HHCS M8 x 1.25 x 25mm				
16	1	118-04	Connector, t-Tap 14-18 Awg				
17	1	112-22	HHCS M10 x 1,50 x 50mm Zn				
18	1	112-63	HHCS M8 x 1.25 x 35mm Gr 5 Zn				

850-98 - Parking Brake Service Assembly



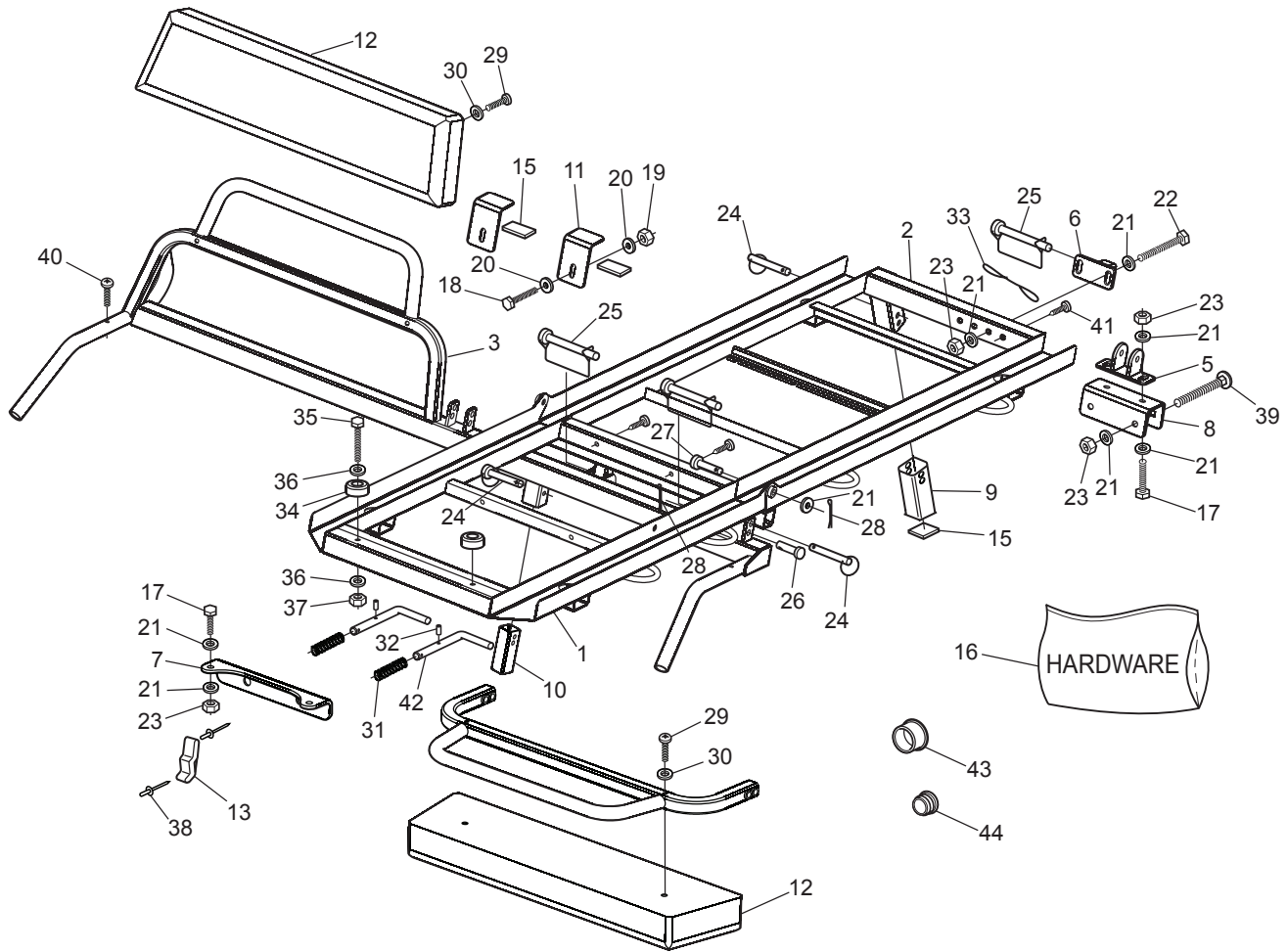
Ref.	Qty.	Part #	Description
1	1	850-98	Kit, Service, Parking Brake includes Ref. 2 - 7
2	1		Cam Tension Spring (compression)
3	1		Left & Right Brake Pads
4	1		Cam Arm Spring (tension)
5	1		Brake Pad Retaining Screw
6	1		Castle Nut
7	1		Cotter Pin

850-99 - Backup Alarm



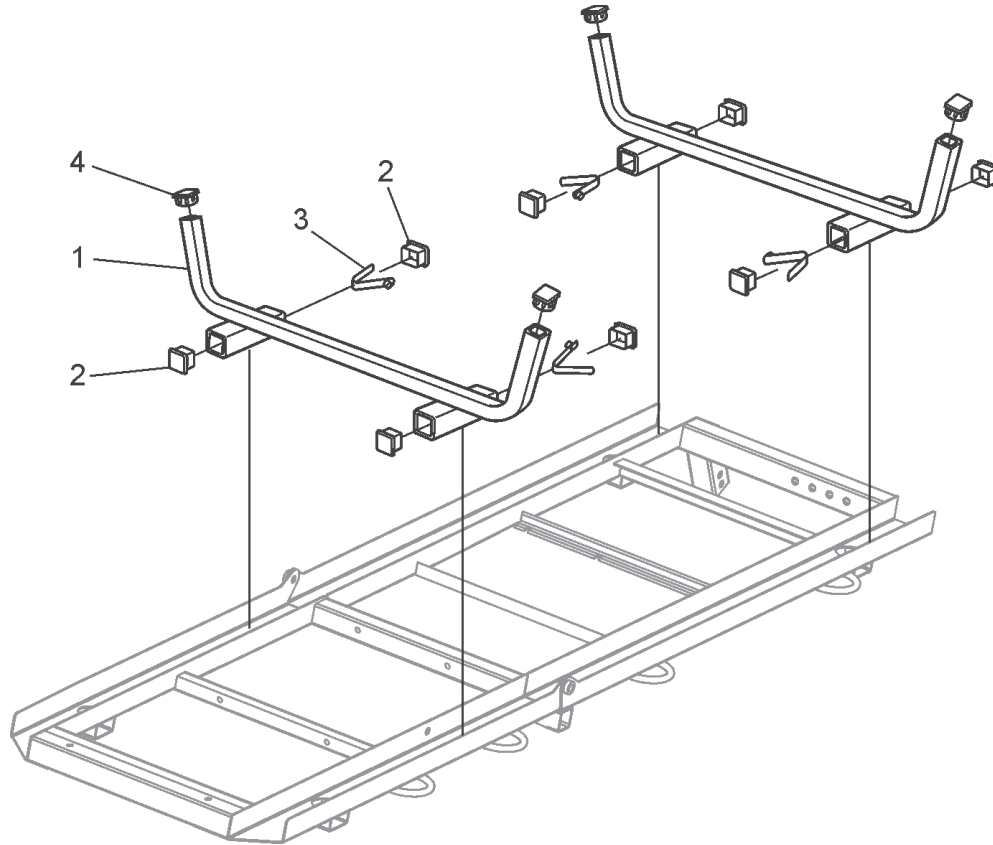
Ref.	Qty.	Part #	Description
1	1	848-126	Alarm, Back-up
2	2	112-102	Screw, Self-Drill 12-14 x 3/4"
3	2	112-126	HHCS M3x0,5x30 CL 8.8 Zn
4	2	117-78	Locknut, Nylon M3x 0.5" Zn
5	1	118-04	Connector, T-Tap 14-18 Awg
6	1	613-113	Wire Harness, Back-up Alarm
7	1	809-202	Switch, Limit - Two Pole

850-100 - Stretcher Frame



Ref.	Qty.	Part #	Description	Ref.	Qty.	Part #	Description
1	1	850-102	Weldment, Front Track - SAR	22	2	112-29	HHCS 3/8-16 x 2.5 Gr5 Zn
2	1	850-103	Weldment, Rear Track - SAR	23	8	117-29	Locknut, Nylon 3/8-16 Zn
3	1	850-104	Weldment, Backrest - SAR	24	4	104-47	Pin, Quick-Release, 3/8 x 1.80
4	1	850-105	Weldment, Folding Backrest	25	3	104-45	Pin, Safety, 3/8 x 2-1/4
5	1	850-106	Bracket Asm, SAR	26	2	104-46	Pin, Clevis, 3/8 x 2
6	1	850-107	Bracket Asm, Rear SAR	27	2	104-44	Pin, Clevis, 3/8 x 3/4
7	1	850-136	Bracket, Dash	28	4	100-100	Pin, Cotter 1/8 x 3/4 Zn
8	1	850-141	Bracket, Rear Mount	29	4	103-03	PHMS 1/4-20 x 1.50 Zn
9	1	850-142	Weldment, Adjuster Tube, Rear	30	4	108-03	Lockwasher 1/4 Split Ring Zn
10	1	850-145	Tube, Adjustment	31	2	127-172	Spring, Compression, 5/8x2-3/4
11	2	850-149	Bracket, Front Tube Hold-Down	32	2	104-26	Pin, Spring 3/16 x 13/16
12	2	608-92	Backpad Asm - Black, SAR	33	3	104-37	Lanyard, Nylon - 8"
13	1	602-56	Latch, Hood - Soft Draw	34	2	850-137	Bumper, 1.5 OD x 0.625 Thk
15	2	127-123	Rubber, Strip -1/4 x 1" x 6.5"	35	2	112-40	HHCS 1/4-20 x 2.5 Gr2 Zn
16	1	850-100HDW	Hardware Kit, Stretcher includes:	36	4	108-08	Washer .28 x .62 x .07 Zn
17	4	103-17	HHCS 3/8-16 x 1.0 Gr5 Zn	37	2	117-27	Locknut, Nylon 1/4-20 Zn
18	2	103-57	HHCS 5/16-18 x 1.5 Gr5 Zn	38	4	120-11	Rivet - 5/32 x 9/16 Black
19	2	117-21	Locknut, Nylon 5/16-18 Zn	39	2	112-170	C/Bolt, 3/8-16 x 3.0in
20	4	108-24	Washer .34 x .70x.06 Zn	40	2	112-41	PHMS, Quadrex 1/4-20x1.25 Zn
21	24	108-23	Washer .42 x .81 x .06 Gr8 Zn	41	3	112-102	Screw, Self-Drill 12-14 x 3/4"
				42	2	850-146	Pin, Front Support
				43	1	127-111	Plug, Black Nylon - 7/8" ID
				44	1	867-17	Plug, OD 7/8" ID 0.685"-Black

850-101 Basket Carrier Assembly



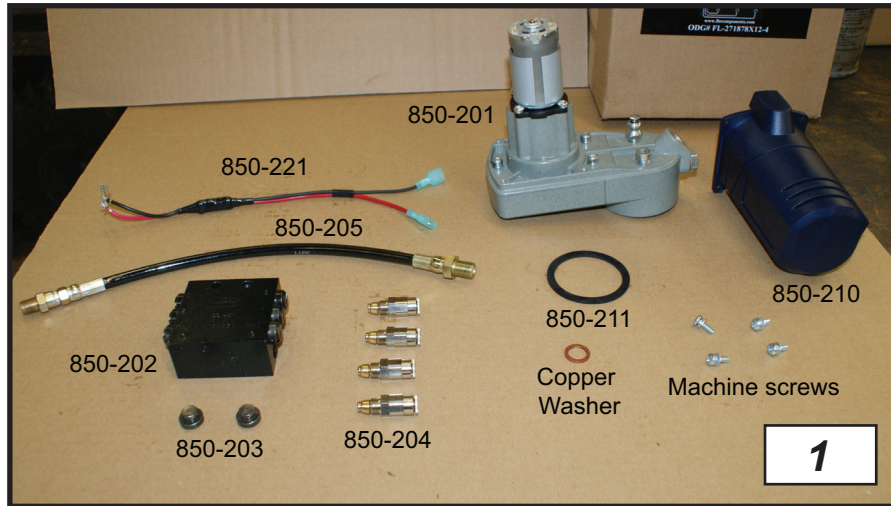
Ref.	Qty.	Part #	Description
1	2	850-154	Basket Carrier Ass'y
2	8	850-156	Plug, 1.5in Sq. Tube
3	4	850-155	Connector, Quick Rel. Button
4	4	849-88	Cap, 7/8 x16 Ga.Sq.Tube-Avg

Basket Required for this carrier is available from FERNO Part # RE1125

Please visit their website at the following link for more details:

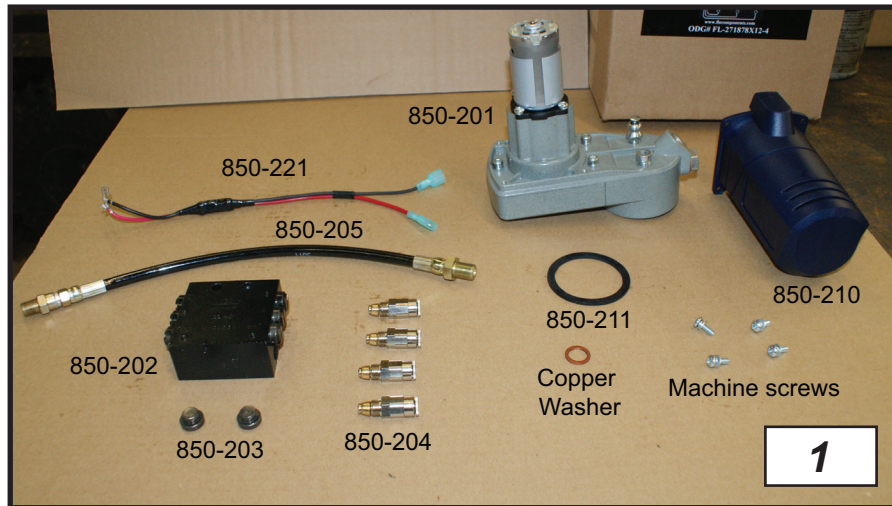
http://www.ferno.com/product_detail.aspx?prodID=3897AEDC-64E9-4CD8-B779-FE5222BAD0D7

850-213FR8/FR8-1 Chain Oil Lube System



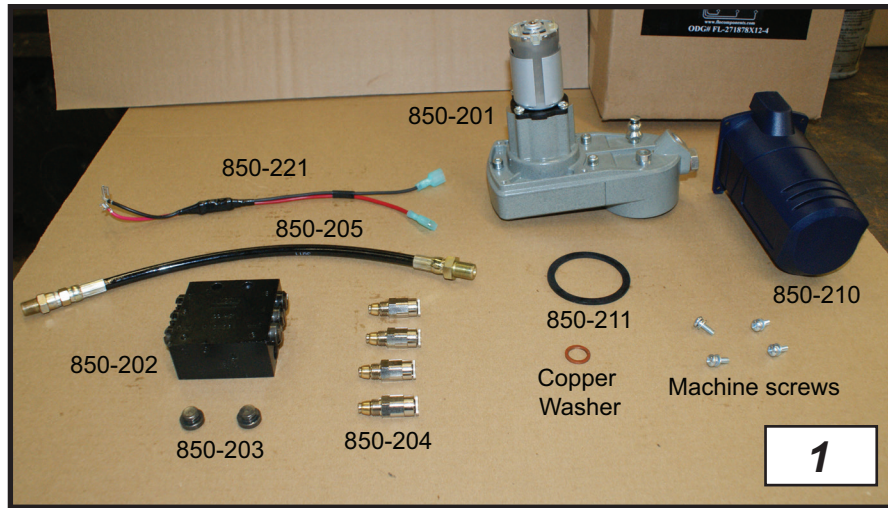
Ref.	Qty.	Part #	Description	Ref.	Qty.	Part #	Description
1	1	850-214	Kit, Chain Oiler Purch	25	1	850-244	Wire Harness, Timer Interrupt
			Comp (See Photo 1) includes #2-8	26	1	607-172	Sleeve, Thermo Protect 1/2"ID
2	1	850-201	Pump, Oil System Lincoln 12V	27	2	112-245	U-Bolt, 1/4-20 x 1.75 x 1.0 Zn
3	1	850-202	Valve, Oil System Diverter	30	1	850-213HDW	Hardware, Auto Chain Oiler
4	2	850-203	Plug, Valve Diverter	31	2	100-101	Clamp, Gear 1/2" HF-4 or MH-4
5	4	850-204	Adapter, Outlet 1/4" W/Chk	32	6	100-102	Tie Wrap - 14" - White - 50lb
6	1	850-205	Hose, Oil Pump Outlet 12" (c/w washer)	33	1	103-08	HHCS 1/4-20 x 1.0 Zn
7	1	850-210	Cover, Oil Pump Motor	34	6	108-03	Lockwasher 1/4 Split Ring Zn
8	1	850-211	Seal, Oil Pump Cap	35	11	108-08	Washer .28 x .62 x .07 Zn
9	1	127-160-39	Hose, 1/4IDx3/8OD - 39" Lg.	36	4	108-100	Lockwasher, #10 Split Ring Zn
10	2	850-182	Bracket, Oil Applicator FR	37	6	112-04	HHCS 1/4-20 x 3/4 Gr5 Zn
11	1	850-183	Bracket, Oil Applicator LR	38	4	112-95	HHCS M5 x 0,8 x 10mm Zn
12	1	850-184	Bracket, Oil Applicator RR	39	1	112-90	HHCS 1/4-20 x 1.5" Gr5
13	1	850-257	Bracket, Lube Reservoir	40	2	112-202	HHCS 1/4-20 x 1.75 Gr5 Zn
14	1	850-258	Bracket, Pump & Div. Valve	41	1	113-20	Fitting, 1/8 NPT x 1/4 Barb
15	2	850-187	Tube, Oiler Avr FR	42	4	113-21	Fitting, 1/8 x 90 Male Push Conn.
16	2	850-188	Tube, Oiler Avr RR	43	7	117-27	Locknut, Nylon 1/4-20 Zn
17	1	850-196	Reservoir 1 Qt.	44	8	117-14	Locknut, Centerlock 3/8-16 Zn
18	1	850-200	Plug, Oil Pump Threaded	45	1	118-52	Fuse, 10A 2-Prong (ATC010)
19	2	850-206	Tubing, 1/4 OD Oil	46	4	117-20	Nut, Fin Hex 1/4-20 Zn
20	1	850-207	Timer, Oil System - 15 min.	47	2	112-19	Screw, IHWH T/C Slot 1/4-20x1/2
21	1	850-261	Timer, Oil System - 1 hour	48	6	125-47	Clip, Oil Line Retainer
22	1	850-208	Harness, Oil System HD	49	2	100-129	Clamp, Loop 1/4 Galv Vinyl Dip
23	1	850-209	Switch, Oil System Momentary				
24	1	850-221	Harness, Oil System Pump				

850-213HD6/HD6-1 Chain Oil Lube System



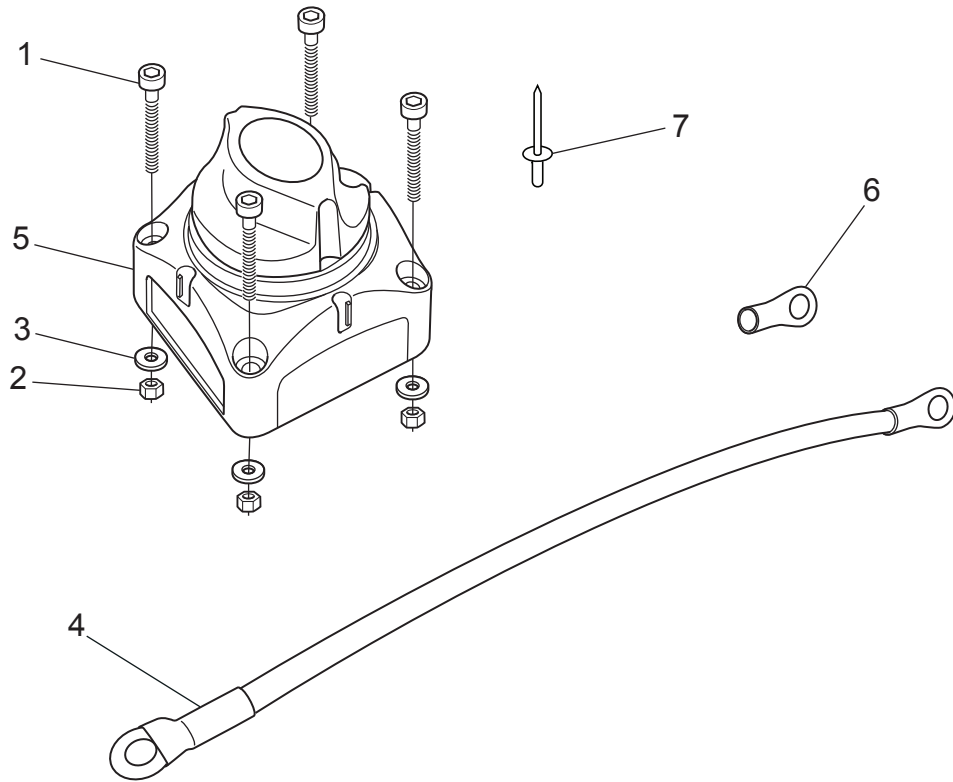
Ref.	Qty.	Part #	Description	Ref.	Qty.	Part #	Description
1	1	850-214	Kit, Chain Oiler Purch	25	1	850-244	Wire Harness, Timer Interrupt
			Comp (See Photo 1) includes #2-8	26	1	607-172	Sleeve, Thermo Protect 1/2"ID
2	1	850-201	Pump, Oil System Lincoln 12V	27	2	112-245	U-Bolt, 1/4-20 x 1.75 x 1.0 Zn
3	1	850-202	Valve, Oil System Diverter	30	1	850-213HDW	Hardware, Auto Chain Oiler
4	2	850-203	Plug, Valve Diverter	31	2	100-101	Clamp, Gear 1/2" HF-4 or MH-4
5	4	850-204	Adapter, Outlet 1/4" W/Chk	32	6	100-102	Tie Wrap - 14" - White - 50lb
6	1	850-205	Hose, Oil Pump Outlet 12" (c/w washer)	33	1	103-08	HHCS 1/4-20 x 1.0 Zn
7	1	850-210	Cover, Oil Pump Motor	34	6	108-03	Lockwasher 1/4 Split Ring Zn
8	1	850-211	Seal, Oil Pump Cap	35	11	108-08	Washer .28 x .62 x .07 Zn
9	1	127-160-12	Hose, 1/4IDx3/8OD - 12" Lg.	36	4	108-100	Lockwasher, #10 Split Ring Zn
10	2	850-182	Bracket, Oil Applicator FR	37	6	112-04	HHCS 1/4-20 x 3/4 Gr5 Zn
11	1	850-257	Bracket, Lube Reservoir	38	4	112-95	HHCS M5 x 0,8 x 10mm Zn
12	1	850-258	Bracket, Pump & Div. Valve	39	1	112-90	HHCS 1/4-20 x 1.5" Gr5
13	1	850-259	Bracket, Oil Applicator - 6x6 LH	40	2	112-202	HHCS 1/4-20 x 1.75 Gr5 Zn
14	1	850-260	Bracket, Oil Applicator - 6x6 RH	41	1	113-20	Fitting, 1/8 NPT x 1/4 Barb
15	2	850-187	Tube, Oiler Avr FR	42	4	113-21	Fitting, 1/8 x 90 Male Push Conn.
16	2	850-188	Tube, Oiler Avr RR	43	7	117-27	Locknut, Nylon 1/4-20 Zn
17	1	850-196	Reservoir 1 Qt.	44	8	117-14	Locknut, Centerlock 3/8-16 Zn
18	1	850-200	Plug, Oil Pump Threaded	45	1	118-52	Fuse, 10A 2-Prong (ATC010)
19	1	850-206-2	Tubing, 1/4 OD Oil	46	4	117-20	Nut, Fin Hex 1/4-20 Zn
20	1	850-207	Timer, Oil System - 15 min.	47	2	112-19	Screw, IHWH T/C Slot 1/4-20x1/2
21	1	850-261	Timer, Oil System - 1 hour	48	6	125-47	Clip, Oil Line Retainer
22	1	850-208	Harness, Oil System HD	49	2	100-129	Clamp, Loop 1/4 Galv Vinyl Dip
23	1	850-209	Switch, Oil System Momentary				
24	1	850-221	Harness, Oil System Pump				

850-213HD8/HD8-1 Chain Oil Lube System



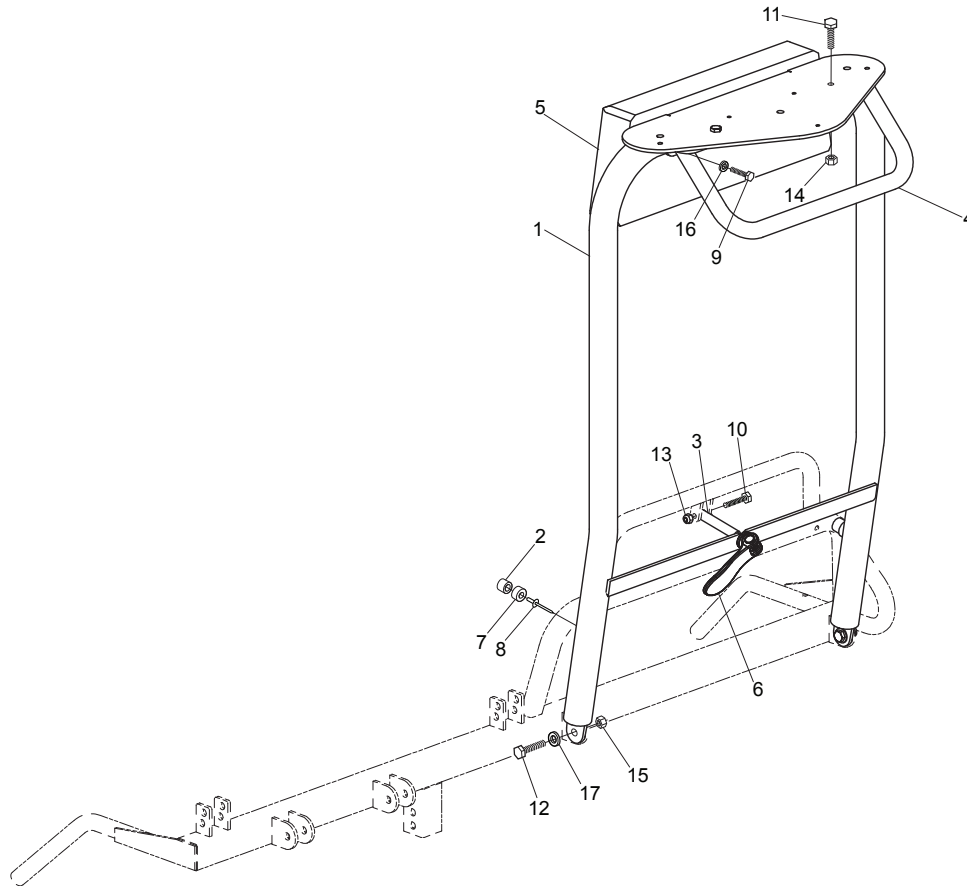
Ref.	Qty.	Part #	Description	Ref.	Qty.	Part #	Description
1	1	850-214	Kit, Chain Oiler Purch	30	1	850-213HDW	Hardware, Auto Chain Oiler
			Comp (See Photo 1) includes #2-8	31	2	100-101	Clamp, Gear 1/2" HF-4 or MH-4
2	1	850-201	Pump, Oil System Lincoln 12V	32	6	100-102	Tie Wrap - 14" - White - 50lb
3	1	850-202	Valve, Oil System Diverter	33	1	103-08	HHCS 1/4-20 x 1.0 Zn
4	2	850-203	Plug, Valve Diverter	34	6	108-03	Lockwasher 1/4 Split Ring Zn
5	4	850-204	Adapter, Outlet 1/4" W/Chk	35	11	108-08	Washer .28 x .62 x .07 Zn
6	1	850-205	Hose, Oil Pump Outlet 12" (c/w washer)	36	4	108-100	Lockwasher, #10 Split Ring Zn
7	1	850-210	Cover, Oil Pump Motor	37	6	112-04	HHCS 1/4-20 x 3/4 Gr5 Zn
8	1	850-211	Seal, Oil Pump Cap	38	4	112-95	HHCS M5 x 0,8 x 10mm Zn
9	1	127-160-7	Hose, 1/4IDx3/8OD - 7" Lg.	39	1	112-90	HHCS 1/4-20 x 1.5" Gr5
10	2	850-182	Bracket, Oil Applicator FR	40	2	112-202	HHCS 1/4-20 x 1.75 Gr5 Zn
11	1	850-183	Bracket, Oil Applicator LR	41	1	113-20	Fitting, 1/8 NPT x 1/4 Barb
12	1	850-184	Bracket, Oil Applicator RR	42	4	113-21	Fitting, 1/8 x 90 Male Push Conn.
13	1	850-185	Bracket, Oil System Pump Res.	43	7	117-27	Locknut, Nylon 1/4-20 Zn
14	2	850-187	Tube, Oiler Avr FR	44	8	117-14	Locknut, Centerlock 3/8-16 Zn
15	2	850-188	Tube, Oiler Avr RR	45	1	118-52	Fuse, 10A 2-Prong (ATC010)
16	1	850-196	Reservoir 1 Qt.	46	3	120-13	Rivet - 3/16x3/4 Black
17	1	850-200	Plug, Oil Pump Threaded	47	4	117-20	Nut, Fin Hex 1/4-20 Zn
18	1	850-206	Tubing, 1/4 OD Oil	48	2	112-19	Screw, IHWH T/C Slot 1/4-20x1/2
19	1	850-207	Timer, Oil System - 15 min.	49	6	125-47	Clip, Oil Line Retainer
20	1	850-261	Timer, Oil System - 1 hour	50	2	100-129	Clamp, Loop 1/4 Galv Vinyl Dip
21	1	850-208	Harness, Oil System HD				
22	1	850-209	Switch, Oil System Momentary				
23	1	850-221	Harness, Oil System Pump				
24	1	850-244	Wire Harness, Timer Interrupt				
25	3	100-64	Tie Wrap - 5.5" - Black				
26	1	607-172	Sleeve, Thermo Protect 1/2"ID				

850-242 Battery Shut Off Switch



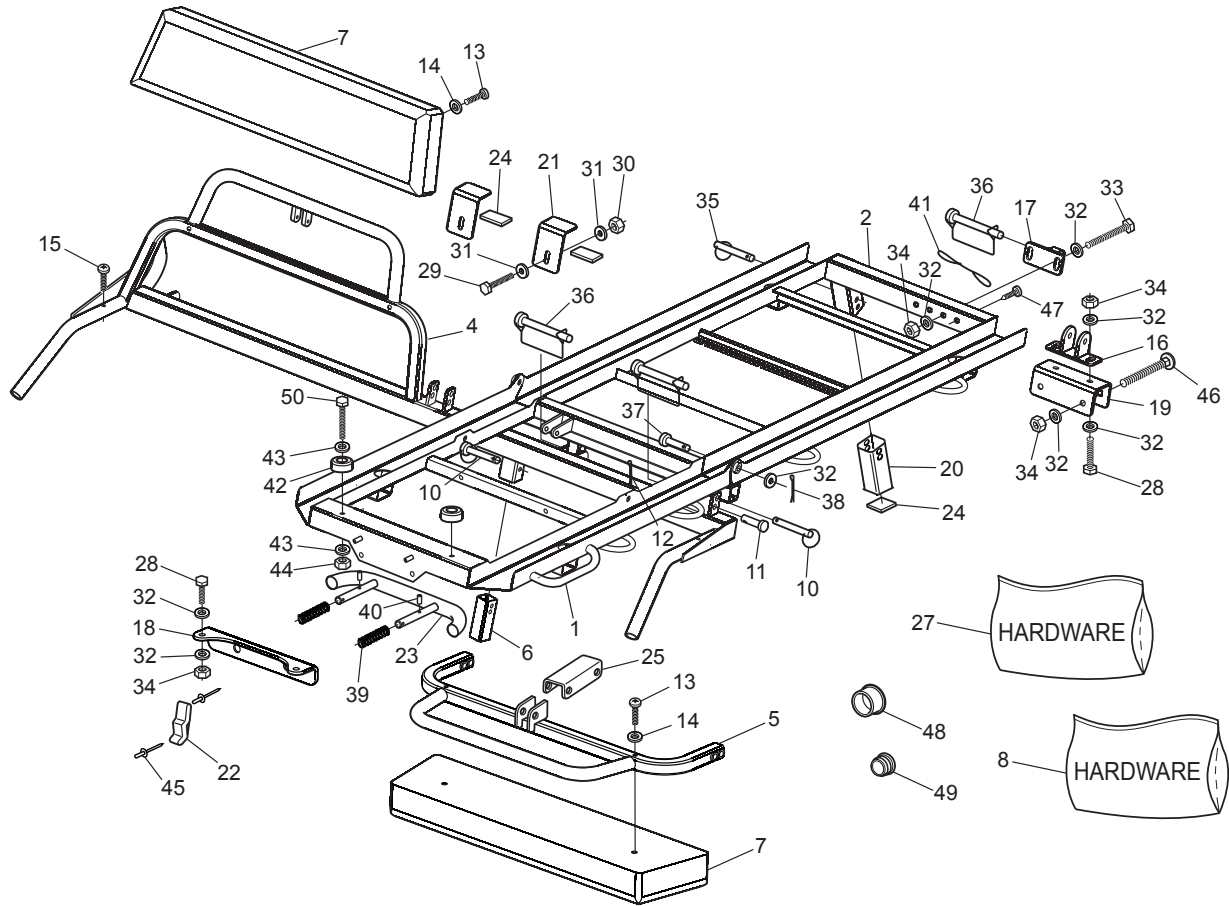
Ref.	Qty.	Part #	Description
1	4	112-195	SHCS 8-32 x 1.5 Stainless
2	4	117-43	Locknut #8-32
3	17	120-04	Washer .19x.50x.08 Zn
4	1	613-209	Wire Harness, Battery Shut Off
5	1	613-210	Switch, Battery Shut Off
6	1	613-211	Terminal, 3/8" Ring 6 Ga
7	12	120-09	Rivet - 3/16 x 1.0 Black

850-285 Whelen Folding Light Bar



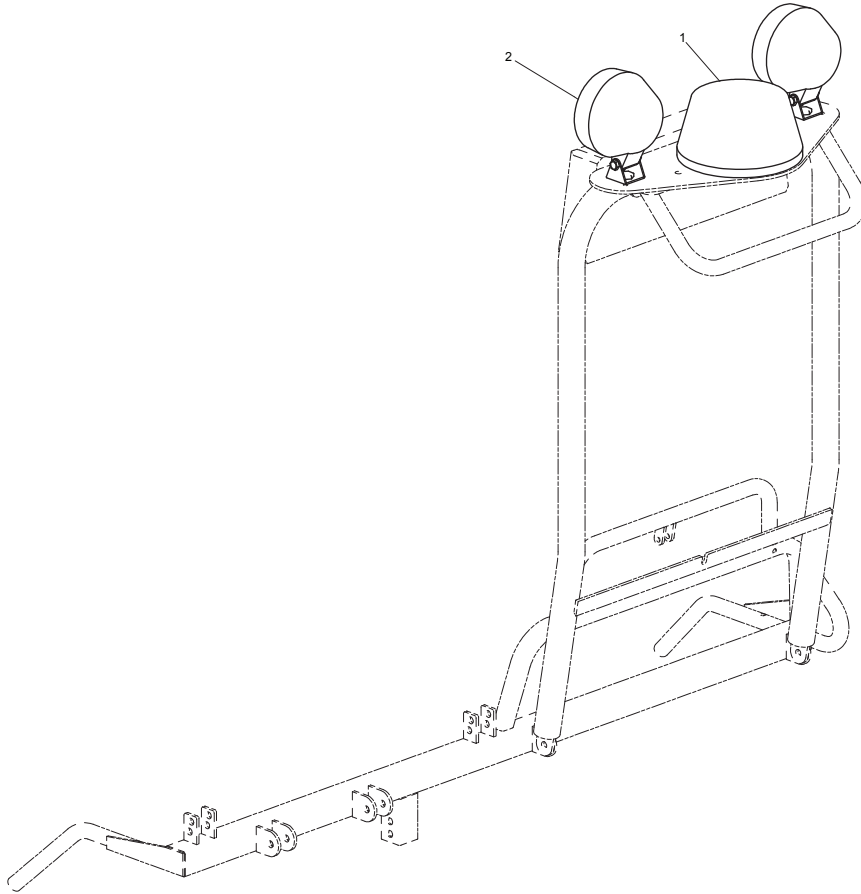
Ref.	Qty.	Part #	Description
1	1	850-275	Folding Light Bar
2	2	850-284	Spacer, Bumper
3	1	850-283	Nut, Toggle
4	1	608-115	Handrail, Susp. Seat
5	1	608-149	Headrest, Black
6	1	953-03	Handle, Quick Cam
7	2	126-102	Bumper, Recessed Hole
8	2	120-32	Rivet, 3/16 x 1.075 Black
9	2	112-04	HHCS 1/4-20x3/4 Gr5 Zn
10	1	103-97	HHCS 1/4-20x1.25 Gr5 Zn
11	2	112-01	HHCS 5/16-18x3/4 Gr5 Zn
12	2	103-17	HHCS 3/8-16x1.0 Gr5 Zn
13	1	117-27	Locknut, Nylon 1/4-20 Zn
14	2	117-21	Locknut, Nylon 5/16-18 Zn
15	2	117-29	Locknut, Nylon 3/8-16 Zn
16	2	108-03	Lockwasher 1/4 Split Ring Zn
17	4	108-23	Washer .42x.81x.06 Gr8 Zn Di-C

850-300 - Frame Assembly Stretcher



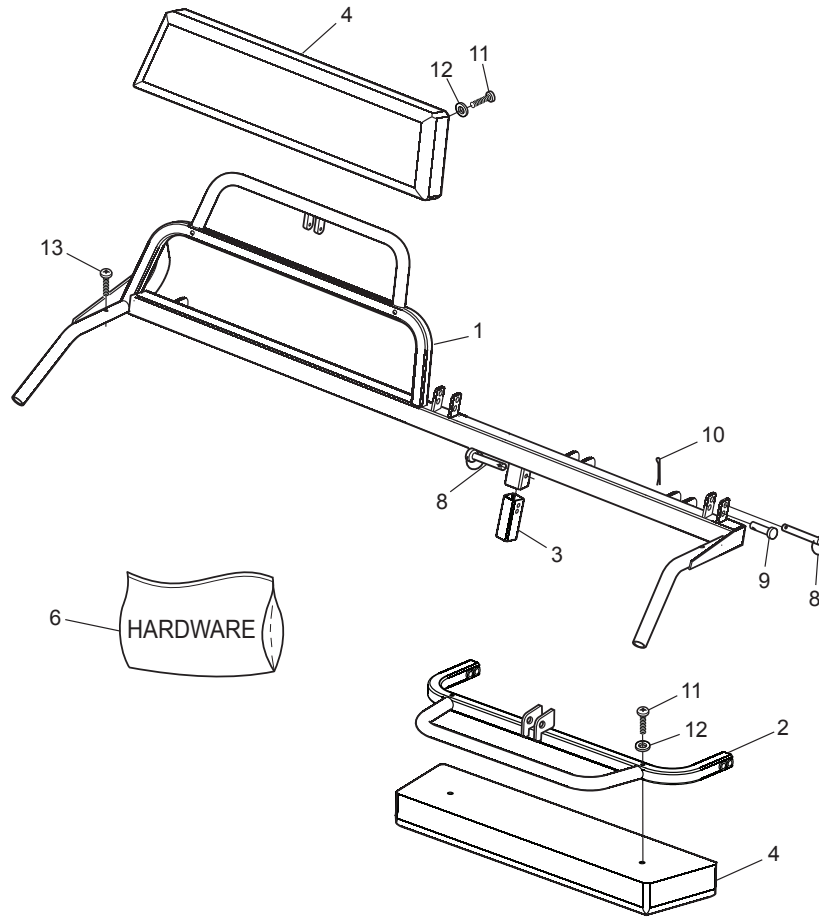
Ref.	Qty.	Part #	Description	Ref.	Qty.	Part #	Description
1	1	850-302	Weld. Ass'y, Front Track - SAR	26	1	850-304	Restraint, Two 5ft Cot Straps
2	1	850-103	Weldment, Rear Track - SAR	27	1	850-300HDW	Hardware Kit, Stretcher
3	1	850-306	Backrest, SAR, includes the following:				includes:
4	1	850-104	Weldment, Backrest - SAR	28	4	103-17	HHCS 3/8-16 x 1.0 Gr5 Zn
5	1	850-301	Weld. Ass'y, Folding Backrest	29	2	103-57	HHCS 5/16-18 x 1.5 Gr5 Zn
6	1	850-145	Tube, Adjustment	30	2	117-21	Locknut, Nylon 5/16-18 Zn
7	2	608-92	Backpad Asm - Black, SAR	31	4	108-24	Washer .34 x .70x.06 Zn
8	1	850-306HDW	Hardware Kit, Backrest, SAR	32	20	108-23	Washer .42 x .81 x .06 Gr8 Zn
			includes:	33	2	112-29	HHCS 3/8-16 x 2.5 Gr5 Zn
9	4	108-23	Washer .42 x .81 x .06 Gr8 Zn	34	8	117-29	Locknut, Nylon 3/8-16 Zn
10	3	104-47	Pin, Quick-Release, 3/8 x 1.80	35	1	104-47	Pin, Quick-Release, 3/8 x 1.80
11	2	104-46	Pin, Clevis, 3/8 x 2	36	3	104-45	Pin, Safety, 3/8 x 2-1/4
12	2	100-100	Pin, Cotter 1/8 x 3/4 Zn	37	2	104-44	Pin, Clevis, 3/8 x 3/4
13	4	103-03	PHMS 1/4-20 x 1.50 Zn	38	2	100-100	Pin, Cotter 1/8 x 3/4 Zn
14	4	108-03	Lockwasher 1/4 Split Ring Zn	39	2	127-172	Spring, Compression, 5/8x2-3/4
15	2	112-41	PHMS, Quadrex 1/4-20x1.25 Zn	40	2	104-26	Pin, Spring 3/16 x 13/16
16	1	850-106	Bracket Asm, SAR	41	3	104-37	Lanyard, Nylon - 8"
17	1	850-107	Bracket Asm, Rear SAR	42	2	850-137	Bumper, 1.5 OD x 0.625 Thk
18	1	850-136	Bracket, Dash	43	7	108-08	Washer .28 x .62 x .07 Zn
19	1	850-141	Bracket, Rear Mount	44	2	117-27	Locknut, Nylon 1/4-20 Zn
20	1	850-142	Weldment, Adjuster Tube, Rear	45	4	120-11	Rivet - 5/32 x 9/16 Black
21	2	850-149	Bracket, Front Tube Hold-Down	46	2	112-170	C/Bolt, 3/8-16 x 3.0in
22	1	602-56	Latch, Hood - Soft Draw	47	3	112-102	Screw, Self-Drill 12-14 x 3/4"
23	1	850-303	Handle Ass'y, Stretcher	48	1	127-111	Plug, Black Nylon - 7/8" ID
24	2	127-123	Rubber, Strip -1/4 x 1" x 6.5"	49	3	867-17	Plug, OD 7/8" ID 0.685"-Black
25	1	850-296	Bracket, Linkage	50	2	103-08	HHCS 1/4-20x1.0 Zn

850-305 Whelen Light Bar Light



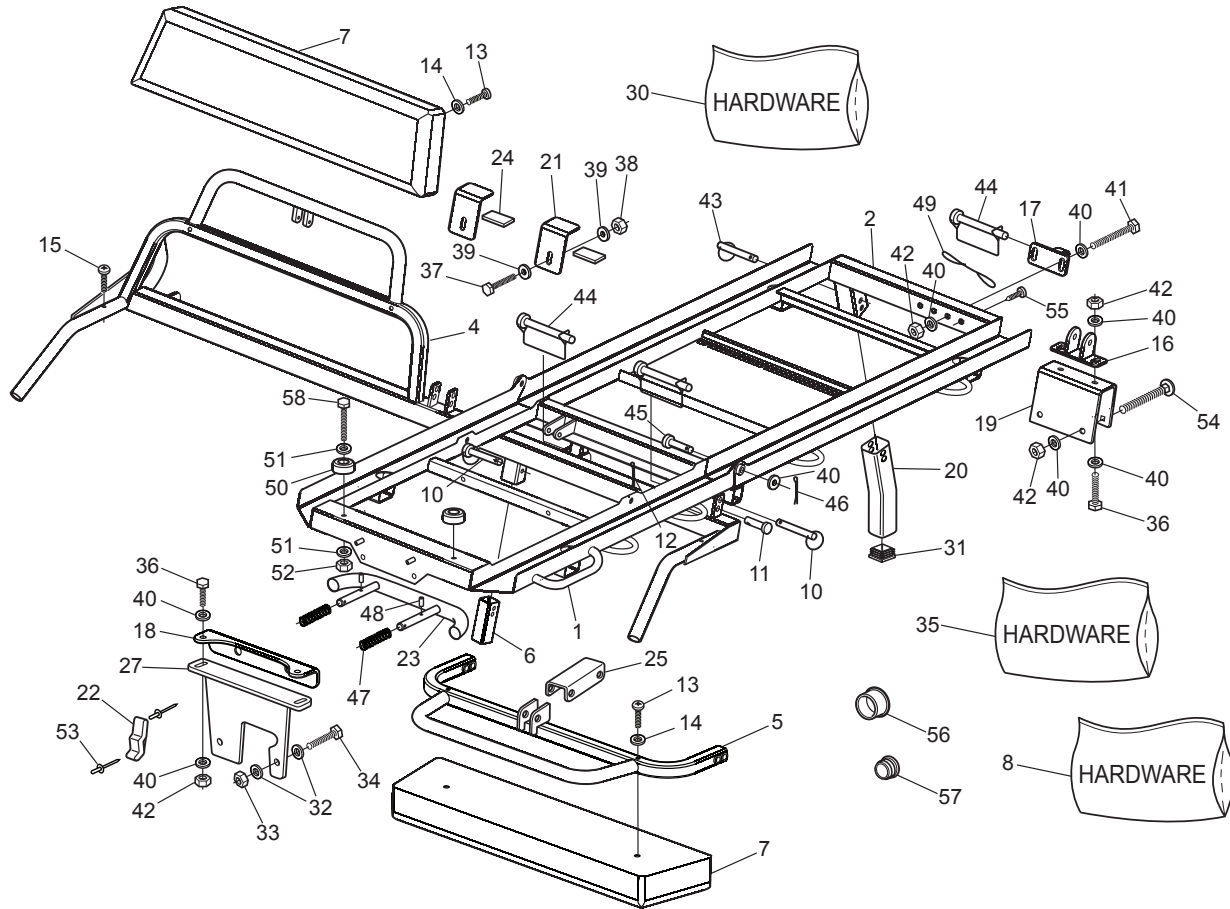
Ref.	Qty.	Part #	Description
1	1	850-269	Whelen, 360 LED Beacon
2	2	850-268	Whelen, LED Spotlight
3	1	613-153	Switch, Light
4	1	613-156	Switch, Fog Lights

850-306 - Backrest - SAR



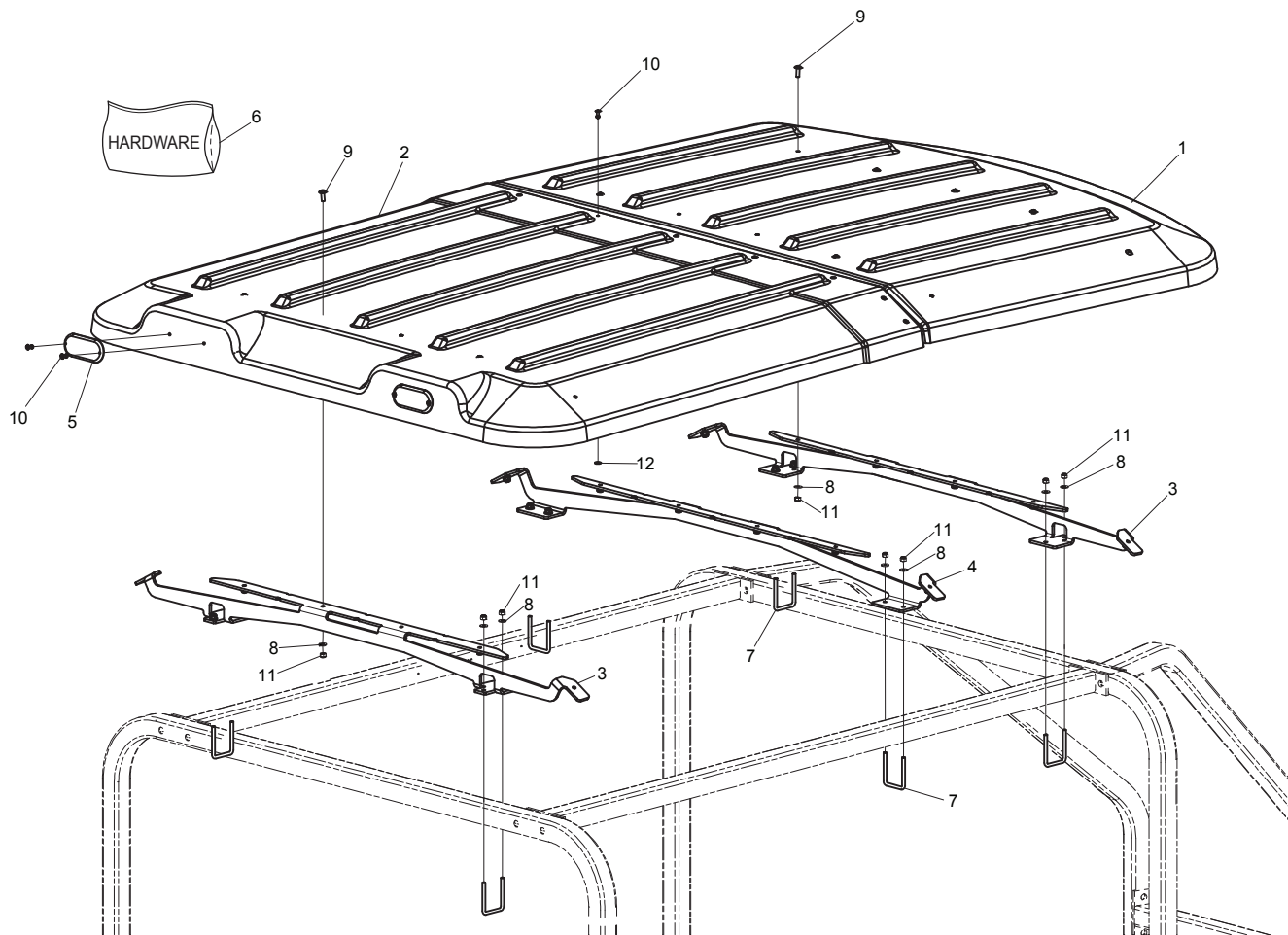
Ref.	Qty.	Part #	Description
1	1	850-104	Weldment, Backrest - SAR
2	1	850-301	Weld. Ass'y, Folding Backrest
3	1	850-145	Tube, Adjustment
4	2	608-92	Backpad Asm - Black, SAR
6	1	850-306HDW	Hardware Kit, Backrest, SAR includes:
7	4	108-23	Washer .42 x .81 x .06 Gr8 Zn
8	3	104-47	Pin, Quick-Release, 3/8 x 1.80
9	2	104-46	Pin, Clevis, 3/8 x 2
10	2	100-100	Pin, Cotter 1/8 x 3/4 Zn
11	4	103-03	PHMS 1/4-20 x 1.50 Zn
12	4	108-03	Lockwasher 1/4 Split Ring Zn
13	2	112-41	PHMS, Quadrex 1/4-20x1.25 Zn

850-310 - Stretcher - Frontier



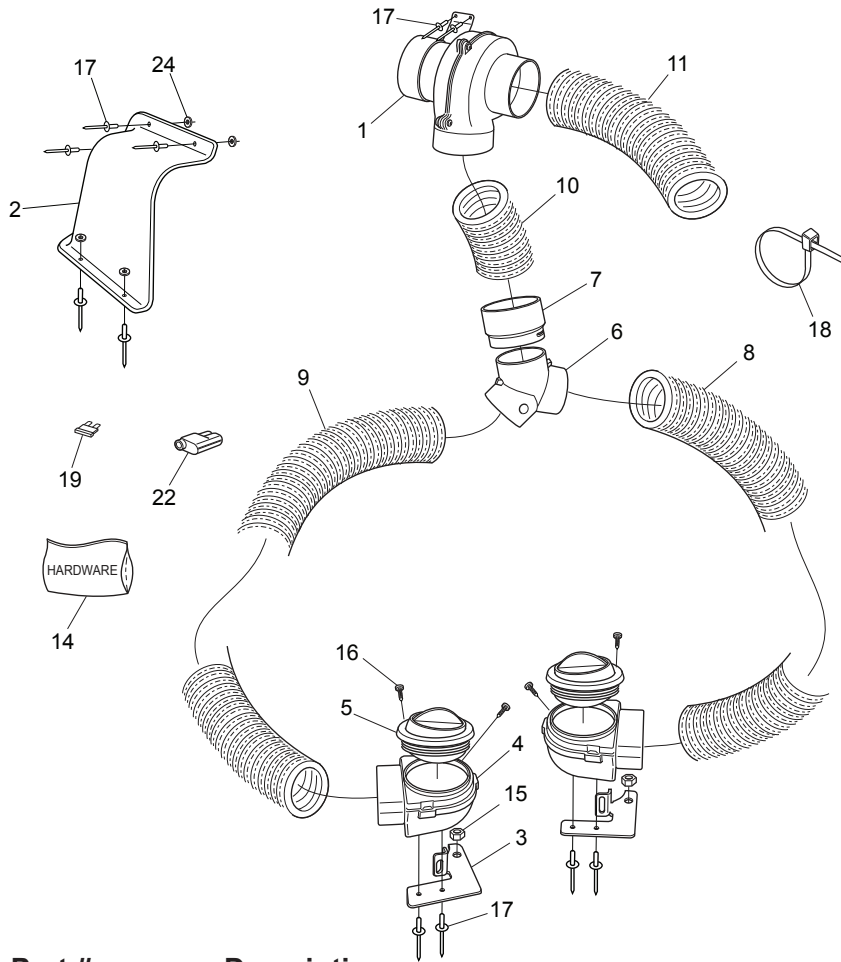
Ref.	Qty.	Part #	Description	Ref.	Qty.	Part #	Description
1	1	850-302	Weld. Ass'y, Front Track - SAR	32	4	108-23	Washer .42x.81x.06 Gr8 Zn
2	1	850-103	Weldment, Rear Track - SAR	33	2	117-29	Locknut, Nylon 3/8-16 Zn
3	1	850-306	Backrest, SAR, includes the following:	34	2	103-17	HHCS 3/8-16x1.0 Gr5 Zn
4	1	850-104	Weldment, Backrest - SAR	35	1	850-300HDW	Hardware Kit, Stretcher includes:
5	1	850-301	Weld. Ass'y, Folding Backrest	36	4	103-17	HHCS 3/8-16 x 1.0 Gr5 Zn
6	1	850-145	Tube, Adjustment	37	2	103-57	HHCS 5/16-18 x 1.5 Gr5 Zn
7	2	608-92	Backpad Asm - Black, SAR	38	2	17-21	Locknut, Nylon 5/16-18 Zn
8	1	850-306HDW	Hardware Kit, Backrest, SAR includes:	39	4	108-24	Washer .34 x .70x.06 Zn
9	4	108-23	Washer .42 x .81 x .06 Gr8 Zn	40	20	108-23	Washer .42 x .81 x .06 Gr8 Zn
10	3	104-47	Pin, Quick-Release, 3/8 x 1.80	41	2	112-29	HHCS 3/8-16 x 2.5 Gr5 Zn
11	2	104-46	Pin, Clevis, 3/8 x 2	42	8	117-29	Locknut, Nylon 3/8-16 Zn
12	2	100-100	Pin, Cotter 1/8 x 3/4 Zn	43	1	104-47	Pin, Quick-Release, 3/8 x 1.80
13	4	103-03	PHMS 1/4-20 x 1.50 Zn	44	3	104-45	Pin, Safety, 3/8 x 2-1/4
14	4	108-03	Lockwasher 1/4 Split Ring Zn	45	2	104-44	Pin, Clevis, 3/8 x 3/4
15	2	112-41	PHMS, Quadrex 1/4-20x1.25 Zn	46	2	100-100	Pin, Cotter 1/8 x 3/4 Zn
16	1	850-106	Bracket Asm, SAR	47	2	127-172	Spring, Compression, 5/8x2-3/4
17	1	850-107	Bracket Asm, Rear SAR	48	2	104-26	Pin, Spring 3/16 x 13/16
18	1	850-136	Bracket, Dash	49	3	104-37	Lanyard, Nylon - 8"
19	1	850-318	Bracket, Rear Mount	50	2	850-137	Bumper, 1.5 OD x 0.625 Thk
20	1	850-314	Post, Wlided - Adjustable	51	4	108-08	Washer .28 x .62 x .07 Zn
21	2	850-149	Bracket, Front Tube Hold-Down	52	2	117-27	Locknut, Nylon 1/4-20 Zn
22	1	602-56	Latch, Hood - Soft Draw	53	4	120-11	Rivet - 5/32 x 9/16 Black
23	1	850-303	Handle Ass'y, Stretcher	54	2	112-170	C/Bolt, 3/8-16 x 3.0in
24	2	127-123	Rubber, Strip -1/4 x 1" x 6.5"	55	3	112-102	Screw, Self-Drill 12-14 x 3/4"
25	1	850-296	Bracket, Linkage	56	1	127-111	Plug, Black Nylon - 7/8" ID
26	1	850-304	Restraint, Two 5ft Cot Straps	57	3	867-17	Plug, OD 7/8" ID 0.685"-Black
27	1	850-311	Brkt, Wlided - Front Support	58	2	103-08	HHCS 1/4-20x1.0 Zn
30	1	850-310HDW	Hardware Kit, Stretcher - Frontier - includes:				
31	1	850-317	Plug, Sq. 1.25" - Black				

863-26 Hard Top Accessory



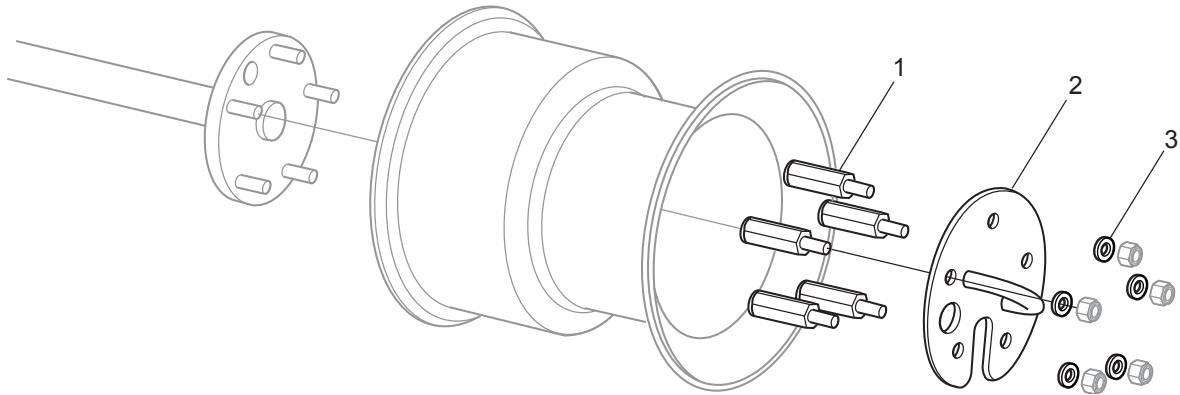
Ref.	Qty.	Part #	Description
1	1	958-103	Hard Top, Front - XT
2	1	958-105	Hard Top, Rear - XT
3	2	863-27	Bracket, Front Top Support
4	1	863-28	Bracket, Mid Top Support
5	2	127-01	Reflector, Red
6	1	863-26HDW	Hard Top, Avg ROPS - Hardware
7	6	863-29	U-Bolt, 1/4-20 x 2.5 - Zn
8	30	108-08	Washer .28x.62x.07 Zn
9	18	103-73	THMS, Phil 1/4-20x.75 Zn
10	13	120-13	Rivet - 3/16 x 3/4 Black
11	30	117-27	Locknut, Nylon 1/4-20 Zn
12	10	120-05	Washer .19x.50x.04 Zn

864-01 HD Service Brake Cooling Accessory



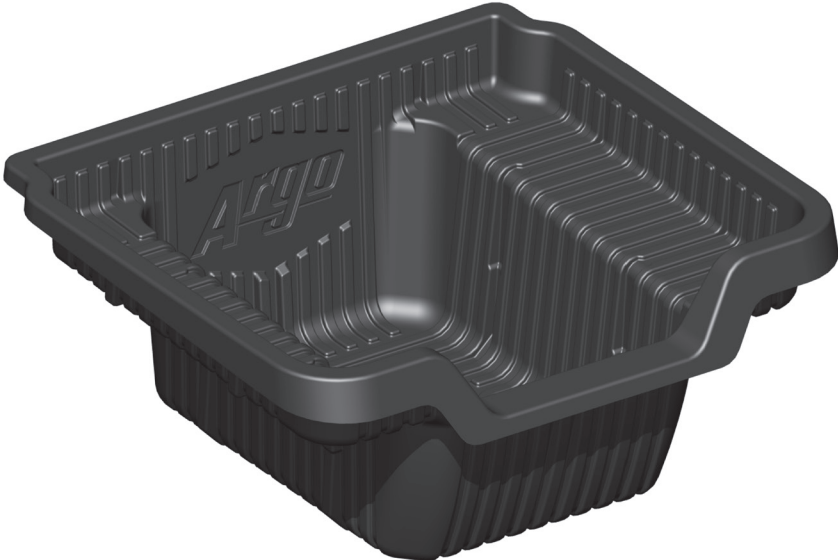
Ref.	Qty.	Part #	Description
1	1	127-184	Blower Fan C/W Mtg Bracket
2	1	809-04	Shroud, Intake Duct
3	2	864-03	Bracket, Cooling Duct
4	2	864-06	Duct, Brake Cooling
5	2	864-07	Louver, Brake Cooling
6	1	864-04	Fitting, 2.5" Hose Y
7	1	864-05	Fitting, Hose Reducer 3" -2.5"
8	1	864-08	Hose, Brake 2.5" x 24"
9	1	864-09	Hose, Brake 2.5" x 48"
10	1	864-10	Hose, Brake 3" x 6"
11	1	864-11	Hose, Brake 3" x 12"
14	1	864-01HDW	Hardware, Service Brake Cooling HD
15	2	117-14	Locknut, Centerlock 3/8-16 Zn
16	4	112-139	OHPS T/S #4x5/8 Black Zn
17	13	120-09	Rivet - 3/16 x 1.0 Black
18	12	100-102	Tie Wrap - 14" - White - 50lb
19	1	118-52	Fuse, 10A 2-Prong (ATC010)
20	1	118-02	Terminal, Male - #76-1251
21	1	118-03	Terminal, Female - #76-1289
22	1	118-04	Connector, T-Tap 14-18Awg
23	14	120-11	Rivet, 5/32 x .157-.472
24	5	120-04	Washer .19x.50x.08 Zn

865-00 Helicopter Lift Assembly



Ref.	Qty.	Part #	Description
1	20	127-220	Extension Stud, Heli-Lift
2	4	865-02	Ass'y, Hub-Heli Lift-9
3	20	108-27	Lockwasher 7/16 Split-Ring Zn

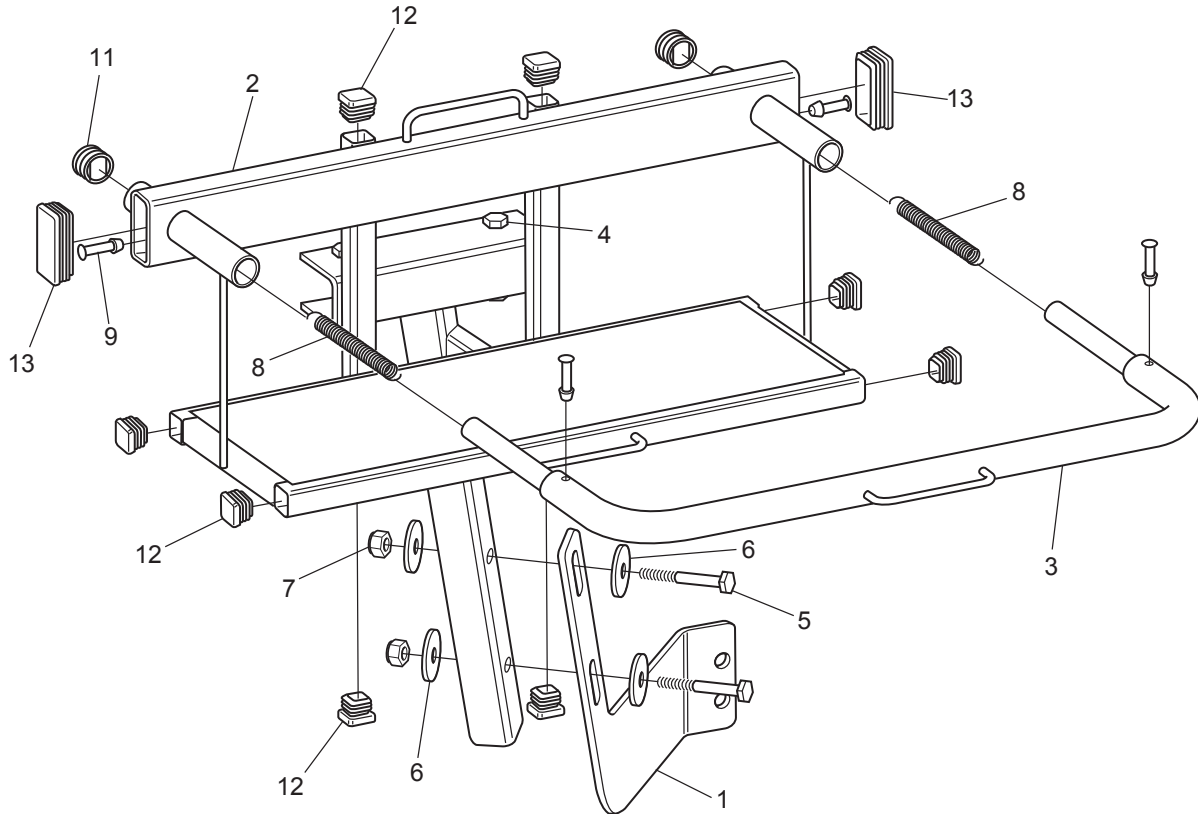
866-01 Bedliner



Ref.	Qty.	Part #	Description
1	1	866-01	Bedliner, HDi/FRN/AVG

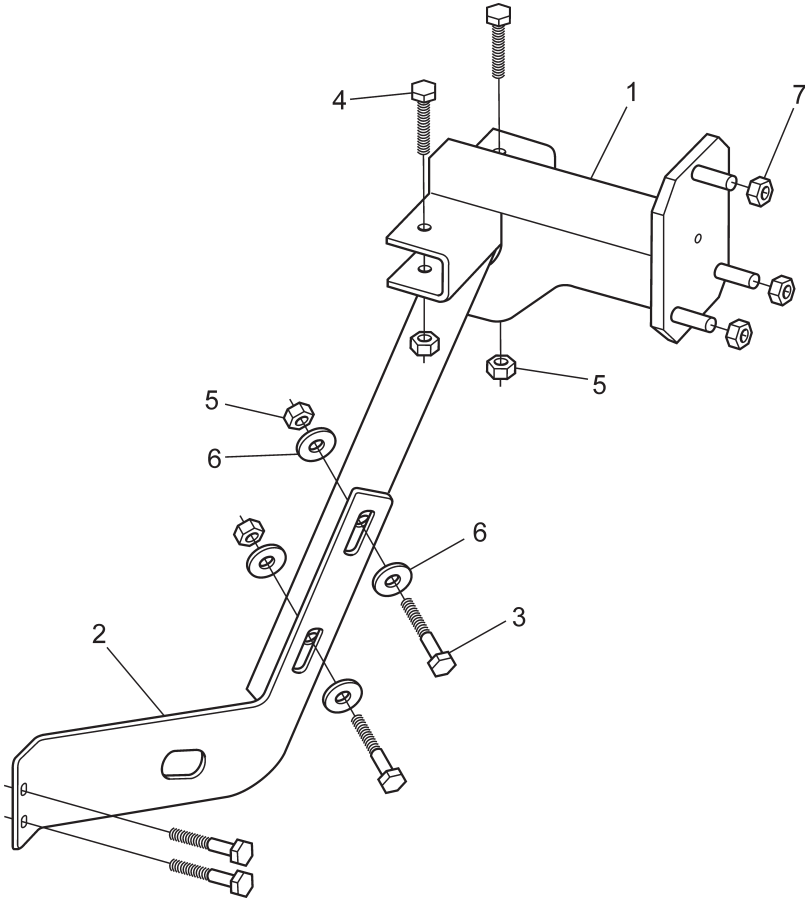


867-01 Gas Can Carrier



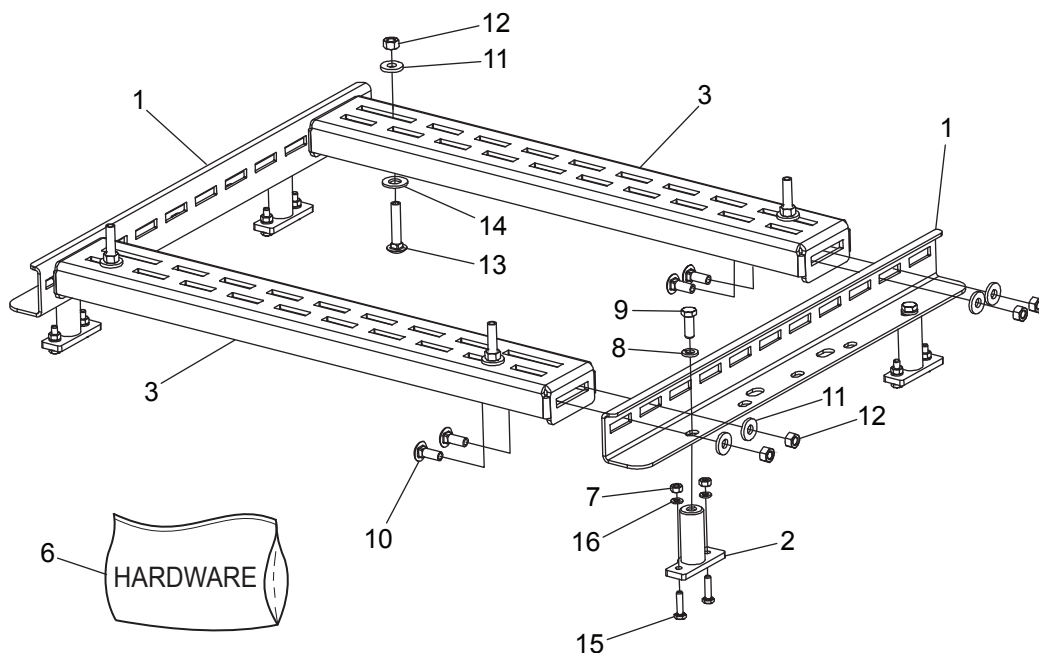
Ref.	Qty.	Part #	Description
1	1	867-02	Bracket, Hitch Mount - LH
2	1	867-03	Asm, Gas Can Carrier
3	1	867-04	Asm, Can Carrier - Restraint
4	2	103-68	HHCS 3/8-16 x 2.0 Gr5 Zn
5	2	112-55	HHCS 3/8-16 x 2.25 Gr8
6	4	108-18	Washer .40 x 1.37 x .12 Zn
7	4	117-29	Locknut, Nylon 3/8-16 Zn
8	2	127-224	Spring, Ext. 3/8 x 4.5"
9	4	120-32	Rivet, 3/16 x 1.075 Black
10	1	867-16	Strap, 6 Ft. Black - Cinching (not shown)
11	2	867-17	Plug, OD 7/8" ID 0.685" - Black
12	8	867-18	Plug, End 3/4" Tube - Black
13	2	867-19	Plug, End 1.0 x 2.0 Tube - Black

868-01 Spare Tire Carrier



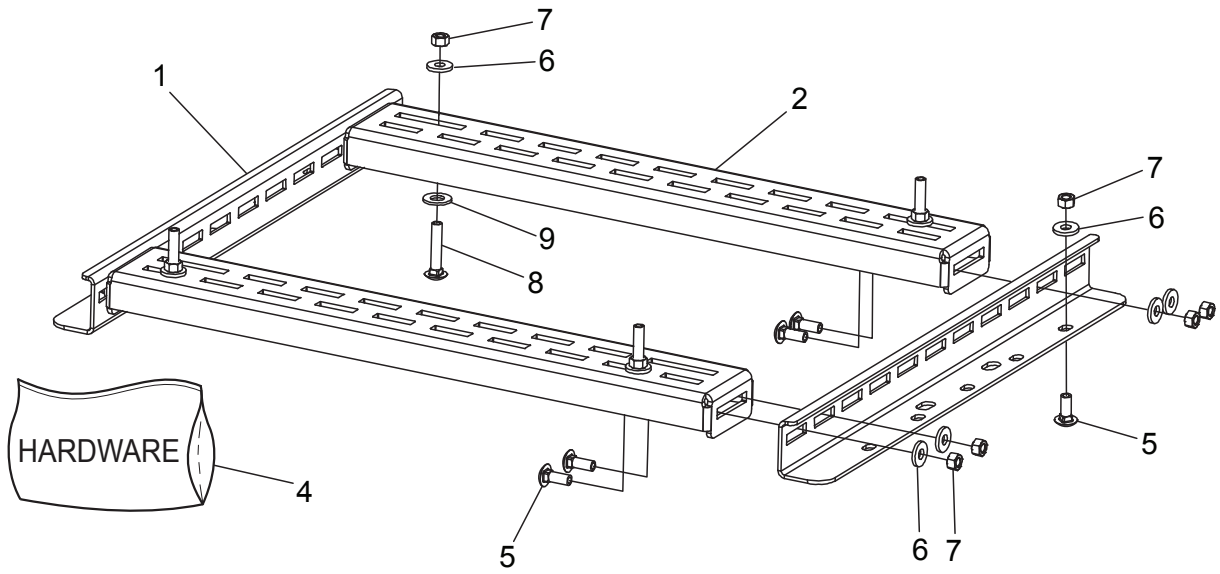
Ref.	Qty.	Part #	Description
1	1	868-02	Asm, Spare Tire Carrier
2	1	868-03	Bracket, Hitch Mount - RH
3	2	112-55	HHCS 3/8-16 x 2.25 Gr8
4	2	103-68	HHCS 3/8-16 x 2.0 Gr5 Zn
5	4	117-29	Locknut, Nylon 3/8-16 Zn
6	4	108-18	Washer .40 x 1.37 x .12 Zn
7	3	117-35	Nut, Wheel 7/16-20 Zn

959-10 Universal Mount



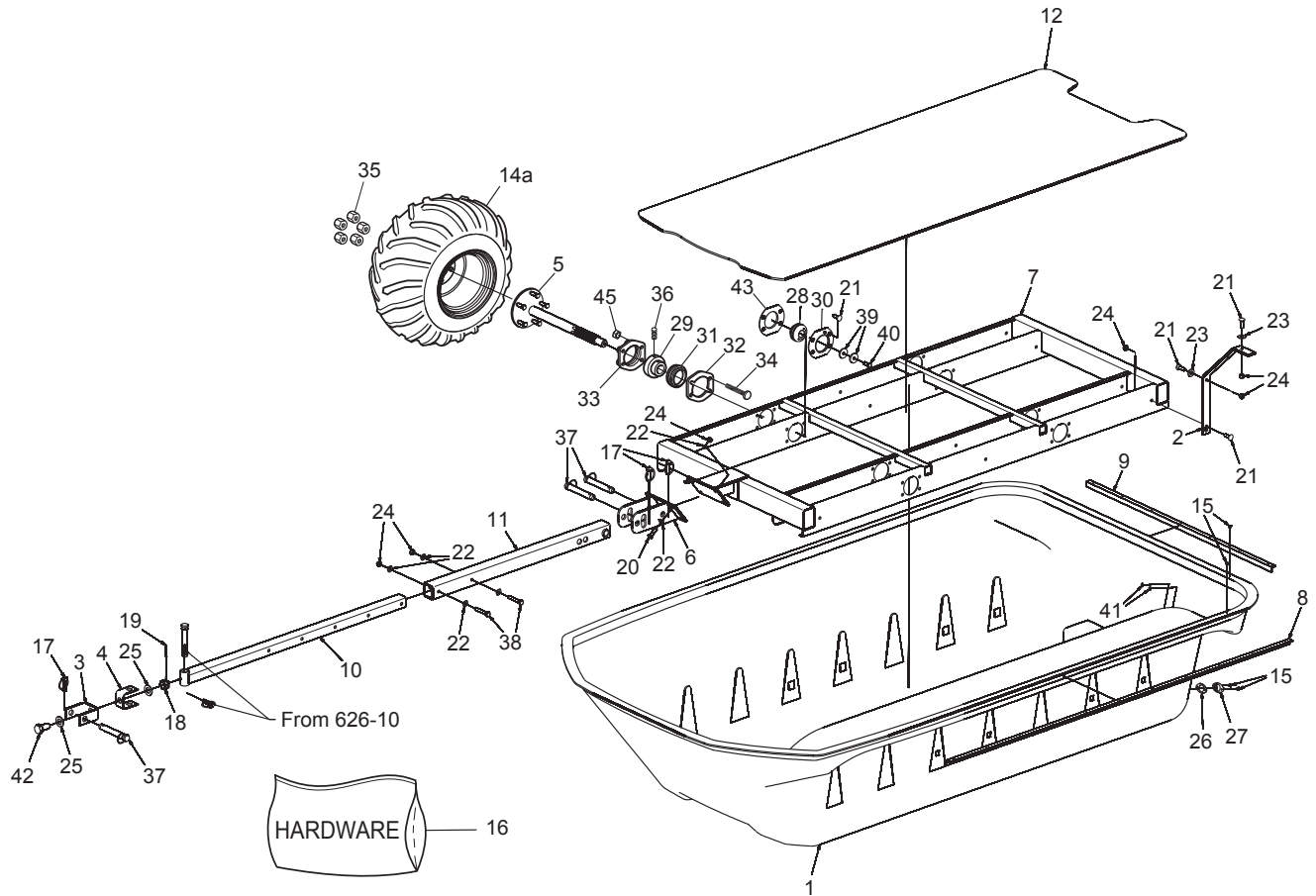
Ref.	Qty.	Part #	Description
1	2	959-02	Rail, Universal Mount
2	4	959-12	Mount- Universal Mount Adaptor - HD/Avg
3	2	959-11	X-Member, Universal Mount - HD/Avg
6	1	959-10HDW	Hardware, Universal Mount - HD/Avg
7	8	117-20	Nut, Fin Hex 1/4-20 Zn
8	4	108-06	Lockwasher 3/8 Split-Ring Zn
9	4	103-17	HHCS 3/8-16x1.0 Gr5 Zn
10	8	103-88	C/Bolt 3/8-16x1.0 Gr5 Zn
11	12	108-47	Washer .39x.94x.13 Zn Di-Chro
12	12	117-29	Locknut, Nylon 3/8-16 Zn
13	4	112-187	C/Bolt 3/8-16x2.0 Gr5 Zn
14	4	108-35	Washer .53x1.06x.09 Zn
15	8	103-08	HHCS 1/4-20x1.0 Zn
16	8	108-03	Lockwasher 1/4 Split Ring Zn

959-15 Universal Mount - Trailer



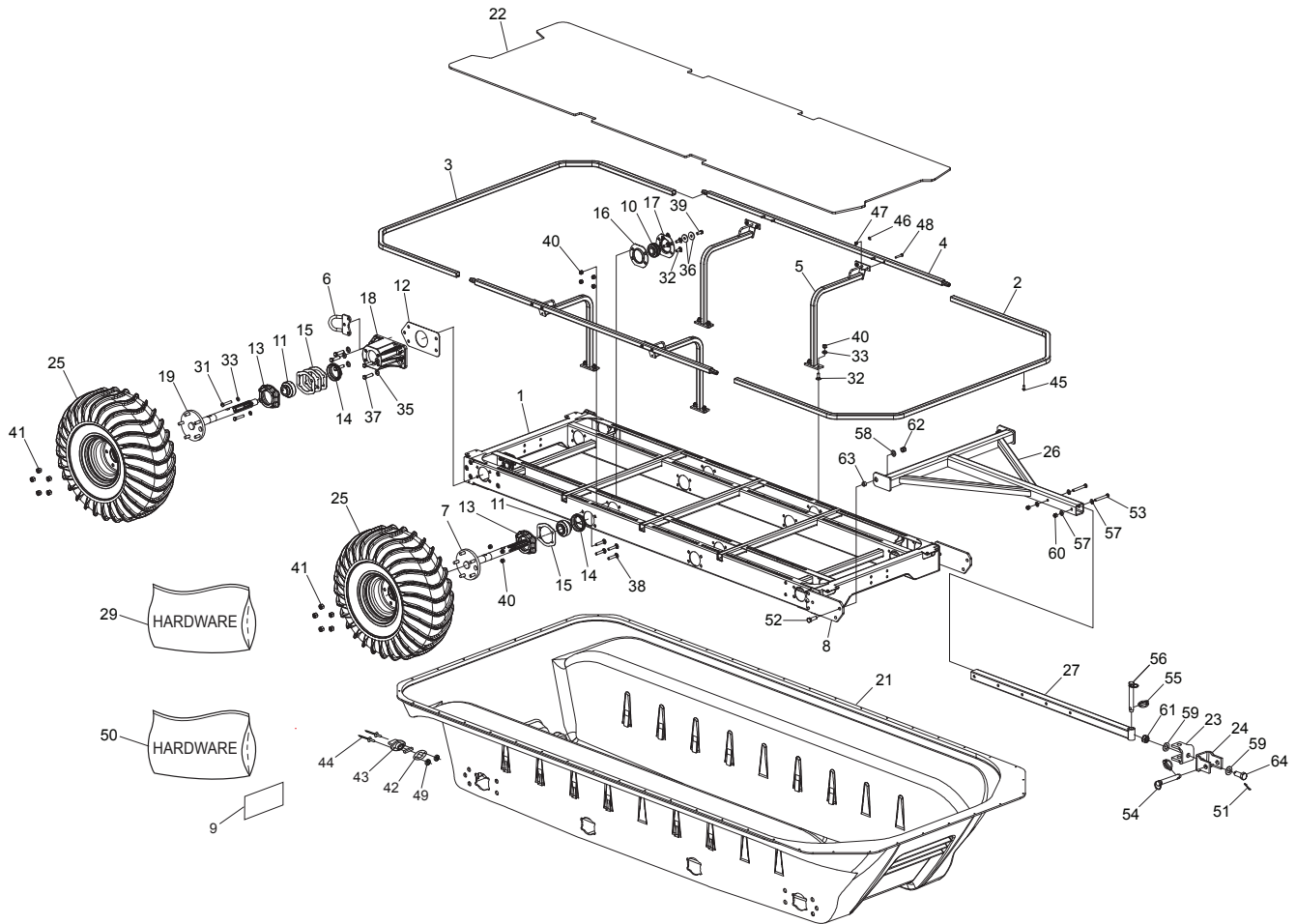
Ref.	Qty.	Part #	Description
1	2	959-02	Rail, Universal Mount
2	2	959-11	X-Member, Universal Mount - HD/AVG
4	1	959-15HDW	Hardware, Universal Mount - Trailer
5	18	103-88	C/Bolt 3/8-16x1.0 Gr5 Zn
6	22	108-47	Washer .39 x .94 x .13 Zn Di-Chro
7	22	117-29	Locknut, Nylon 3/8-16 Zn
8	4	112-187	C/Bolt 3/8-16 x 2.0 Gr5 Zn
9	4	108-35	Washer .53 x 1.06 x .09 Zn

Amphibious Trailer



Ref.	Qty.	Part #	Description	Ref.	Qty.	Part #	Description
1	1	603-99	Body, Lower - Frontier (Vin. # required)	22	24	108-15	Washer .42x.81x.05 Zn
2	6	695-16	Support, Body	23	12	108-35	Washer .53x1.06x.09 Zn
3	1	695-64	Bracket, Hitch	24	24	117-29	Locknut, Nylon 3/8-16 Zn
4	1	695-71P	Bracket, Tongue	25	2	108-53	Washer .81x1.5x.12 Zn
5	4	810-113	Axle Ass'y - Mid HD	26	2	100-114	Gasket, Drain Plug + # 100-107
6	1	695-83	Hitch Ass'y, Trailer	27	2	100-107	Plug, Drain-Flanged + # 100-114
7	1	695-88	Frame Ass'y, Trailer	28	4	101-41	Bearing, Ball - 1.0 (48 per box)
8	2	695-90	Bracket, Side	29	4	101-95	Bearing, Ball -1.25 x 72mm
9	1	695-91	Bracket, Rear	30	4	606-92	Flange, Greaseable - 4 Hole HD
10	1	695-93	Tongue, Ass'y	31	4	606-89	Carrier, Axle Bearing
11	1	695-96	Tube Ass'y, Hitch	32	12	606-90	Gasket, Flange - 72mm Brg
12	1	695-67	Floor Pan, Trailer	33	4	606-88	Flange Ass'y, Outer Bearing
13a	2	127-182L	Tire, Argo 25 & Rim LH Ass'y	34	16	103-68	HHCS 3/8-16x2.0 Gr5 Zn
13b	2	127-158L	Tire+Rim Ass'y, Argo-24, Left	35	20	117-35	Nut, Wheel 7/16-20 Zn
13c	2	127-181L	Tire+Rim Ass'y, Argo-24, Right	36	8	112-200	SHSS 5/16-24x5/16 Flat PT
14a	2	127-182R	Tire, Argo 25 & Rim RH Ass'y	37	3	104-10	Pin, Toplink - 3/4x3.875
14b	2	127-158R	Tire+Rim Ass'y, Argo-24, Right	38	2	103-53	HHCS 3/8-16x3.0 Gr5 Zn
14c	2	127-180R	Tire+Rim Ass'y, Argo-24, Right	39	8	108-46	Washer .40x1.37x.12 Hi-Carbon
15	33	120-13	Rivet - 3/16 x 3/4 Black	40	4	112-31	HHCS 3/8-16x1.0 2B Gr8 Zn
16	1	V-Trailer-11HDW Hardware, Trailer Kit		41	4	120-04	Washer .19x.50x.08 Zn
17	3	104-11	Pin, Lynch - Ring	42	1	695-34	Bolt, Swivel
18	1	117-37	Nut, Hex Slotted 3/4-10 Zn	43	4	606-91	Flange, 4 Hole HD
19	1	100-01	Pin, Cotter 1/8x1.50 Zn	44	4	120-09	Rivet - 3/16 x 1.0 Black
20	4	103-82	HHCS 3/8-16x1.25 Gr5 Zn	45	32	117-118	Locknut, Nylon 3/8-16 Flanged
21	34	103-88	C/Bolt 3/8-16x1.0 Gr5 Zn				

8 Wheel Trailer



Ref.	Qty.	Part #	Description	Ref.	Qty.	Part #	Description
1	1	695-100	Frame Asm, 8 Wheel Trailer	35	20	108-34	Washer .47x.94x.06 Zn
2	1	695-104	Frame, Upper Front - 8 Wheel Trailer	36	16	108-46	Washer .40x1.37x.12 Hi-Carbon
3	1	695-105	Frame, Upper Rear - 8 Wheel Trailer	37	20	112-181	HHCS 7/16-20x1.75 Gr5 Zn
4	2	695-106	Frame Asm, Upper Mid - 8 Wheel Trailer	38	16	112-187	C/Bolt 3/8-16x2.0 Gr5 Zn
5	4	695-109	Supt Asm, Inr Side - 8 Wheel Trailer	39	8	112-31	HHCS 3/8-16x1.0 2B Gr8 Zn
6	2	642-47	Tie Down Bracket	40	64	117-118	Locknut, Nylon 3/8-16 Flanged
7	4	810-113	Axle ASM - Mid HD	41	40	117-35	Nut, Wheel 7/16-20 Zn
8	2	657-17	Bracket, Snowplow Mtg - Avg	42	2	100-114	Gasket, Drain Plug
9	1	127-273	Plate, Serial Blank Double	43	2	100-107	Plug, Drain-Flanged
10	8	101-41	Bearing, Ball - 1.0	44	4	120-13	Rivet - 3/16 X 3/4 Black
11	8	101-95	Bearing, Ball -1.25 x 72mm	45	50	112-102	Screw, Self Drill 12-14 x 3/4"
12	4	606-25	Gasket, Bearing Extension	46	16	108-08	Washer .28x.62x.07 Zn
13	16	606-88	Flange, Outer Bearing	47	8	117-27	Locknut, Nylon 1/4-20 Zn
14	16	606-89	Carrier, Axle Bearing	48	8	103-03	PHMS 1/4-20x1.50 Zn
15	32	606-90	Gasket, Flange -72mm Brg	49	4	120-04	Washer .19x.50x.08 Zn
16	8	606-91	Flange, 4-Hole Hd	50	1	L15-HDW	8W Trailer Hardware includes:
17	8	606-92	Flange, Greaseable - 4-Hole Hd	51	1	100-01	Pin, Cotter 1/8x1.50 Zn
18	4	810-112	Extension Asy, Bearing W/ Nuts	52	2	103-21	HHCS 1/2-20x1.5 Gr5 Zn
19	4	810-92	Axle, Asm - Front/Rear HD	53	2	103-53	HHCS 3/8-16X3.0 Gr 5 Full Thd
20	4	127-158L	Tire+Rim Asm, Argo-24, Left	54	1	104-10	Pin + Ring Asm
21	1	695-103	Body, 8 Wheel Trailer	55	2	104-11	Pin, Lynch - Ring
22	1	695-118	Panel, Floor - 8 Wheel Trailer	56	1	104-13	Pin, Top Link
23	1	695-119	Bracket, Tongue - Thck	57	4	108-15	Washer .42x.81x.05 Zn
24	1	695-120	Bracket, Hitch - Thck	58	2	108-35	Washer .53x1.06x.09 Zn
25	4	127-158R	Tire+Rim Asm, Argo-24, Right	59	2	108-53	Washer .81x1.5x.12 Zn
26	1	695-114	Hitch Assy - 8W Trailer	60	2	117-29	Locknut, Nylon 3/8-16 Zn
27	1	695-93	Tongue Asm	61	1	117-37	Nut, Hex Slotted 3/4-10 Zn
29	1	L15-FRM-HDW	8W Trailer Frame Hardware	62	2	117-57	Locknut, Nyloc 1/2-20 Zn
31	16	103-68	HHCS 3/8-16x2.0 Gr5 Zn	63	2	657-54	Bushing
32	40	103-88	C/Bolt 3/8-16x1.0 Gr5 Zn	64	1	695-121	Bolt, Swivel 3/4-10 x 1.75
33	24	108-06	Lockwasher 3/8 Split-Ring Zn				



ARGO Products Manufactured by:

Ontario Drive & Gear Limited

220 Bergey Court
New Hamburg, Ontario
Canada N3A 2J5
Phone: (519) 662-2840
Fax: (519) 662-2421
www.argoatv.com

ODG *Dedicated to quality and performance*