

Argo ***Avenger***



Argo 8x8

PARTS MANUAL

Avenger 8x8

Responder 8x8

HuntMaster 8x8

Argo 8x8
EU EDITION ***750 HDi***

From Serial # ...39157

Foreword

ODG has prepared this parts manual for the Avenger models to assist both qualified mechanics and vehicle owners in ordering correct, quality replacement ARGO parts. For the most current parts manual visit our website at www.argoxtv.com.

Proper and regular service, and replacing old, worn or broken parts with the correct ARGO replacement parts, are both essential to prolonging the life of the ARGO. Please refer to this parts manual and/or our website www.argoxtv.com before ordering any replacement part.

All information contained in this Avenger Parts Manual is based on the latest product specification available at time of printing. If your Avenger differs from the specifications contained in this manual, check our website www.argoxtv.com for the most current information.

ODG reserves the right to alter specifications on the Avenger models at any time, without obligation or prior notification.

Reproduction of this Avenger Parts Manual, in whole or in part, is prohibited without prior written permission from Ontario Drive & Gear Limited.

Vehicle Identification

Avenger - Serial Nos. ...39157

Explanation of Parts Manual Format

Ref - Reference number between assembly diagram and component parts list

Part No. - Argo replacement part number for identification and re-ordering

Description - Part description for identification and re-ordering

Qty - Indicates the quantity of a part used in an assembly

Argo Avenger



Using the Parts Manual

1. Find the major vehicle assembly in the Table of Contents on this page, and turn to that section.
2. Locate the part in the illustration that you wish to order.
3. Refer to the parts list in that section.
4. Find the correct part number (Part No.), part description (Description) and correct quantity (Qty).
5. Use *only* this information to order ARGO replacement parts. *DO NOT* attempt to order a replacement part by reference number or page number.

Table of Contents

Foreword	i
Vehicle Identification.....	i
Using the Parts Manual	ii
1.0 Transmission	2
1.1 Transmission Sub-Assemblies	4
2.0 Intake and Exhaust System.....	6
3.0 Clutch System	8
4.0 Power Pack Assembly	10
5.0 Steering & Brake System	12
6.0 Parking Brake.....	14
7.1 Vehicle Body & Firewall.....	16
7.2 Vehicle Body & Firewall - EU.....	18
8.0 Frame & Drive System	20
9.1 Fuel System & Seat Assembly	22
9.2 Fuel System & Seat Assembly - EU ...	24
10.0 Brushguard - EU.....	26
11.1 Electrical System	28
11.2 Electrical System	30
12.0 LX Model	32
13.0 Hunt Master Model.....	34
14.0 50th Anniversary Model.....	36
15.0 Bead Lock Wheel Option.....	38
16.0 LS Option	39
622-96 Receiver Winch	40
622-142 Winch	41
624-26 Brake Light Assembly.....	42
638-40 Bilge Pump	43
642-49 Brushguard.....	44
839-30 Handrails	45
848-170 Heater.....	46
848-173 Entry Step.....	47
850-54 Alternator	48
850-255 CE Accessory	49
864-01 Brake Cooling.....	50
850-300 Stretcher Frame	51

Avenger Parts Manual

Avenger Vehicle Matrix

Old Model	Argo 750 HDi	Argo 750 HDi	Argo 750 HDi	Argo 750 HDi	Argo 750 HDi	Argo 750 HDi	Argo 750 HDi
Model Accessory	Avenger 8x8 ST	Avenger 8x8 STR	Avenger 8x8 STX	Avenger 8x8 LX	Avenger 8x8 Responder	Avenger 8x8 Responder X	Avenger 8x8 Responder Z-i
Alternator				Yes	Yes	Yes	Yes
Brake Cooling			Yes	Yes		Yes	
Brake Lights				Yes	Yes	Yes	Yes
Brushguard					Yes	Yes	
Build Package				LX	Responder	Responder	Responder
Drive Belt	127-137	127-137	127-137HD	127-137HD	127-137HD	127-137HD	127-137HD
Entry Step	Single	Single	Single	Dual	Single	Single	Single
Handrails				Yes			
Receiver Winch					Yes	Yes	
Seats				LX Premium	Fold Down	Fold Down	
Stereo				Yes			
Stretcher Frame					Yes	Yes	
Tires & Rims**	25 Steel	25 Aluminum	25 Aluminum	25 Aluminum	25 Steel	25 Aluminum	25 Steel
Transmission	Standard High Torque	Standard High Torque	High Speed	High Speed	Standard High Torque	High Speed	Standard High Torque
Winch					Yes	Yes	Yes

* All vehicles come with bearing extensions, bilge pump and skid plate as standard.

** All tire & rims are reversible off-set.

Avenger Parts Manual

Avenger Vehicle Matrix

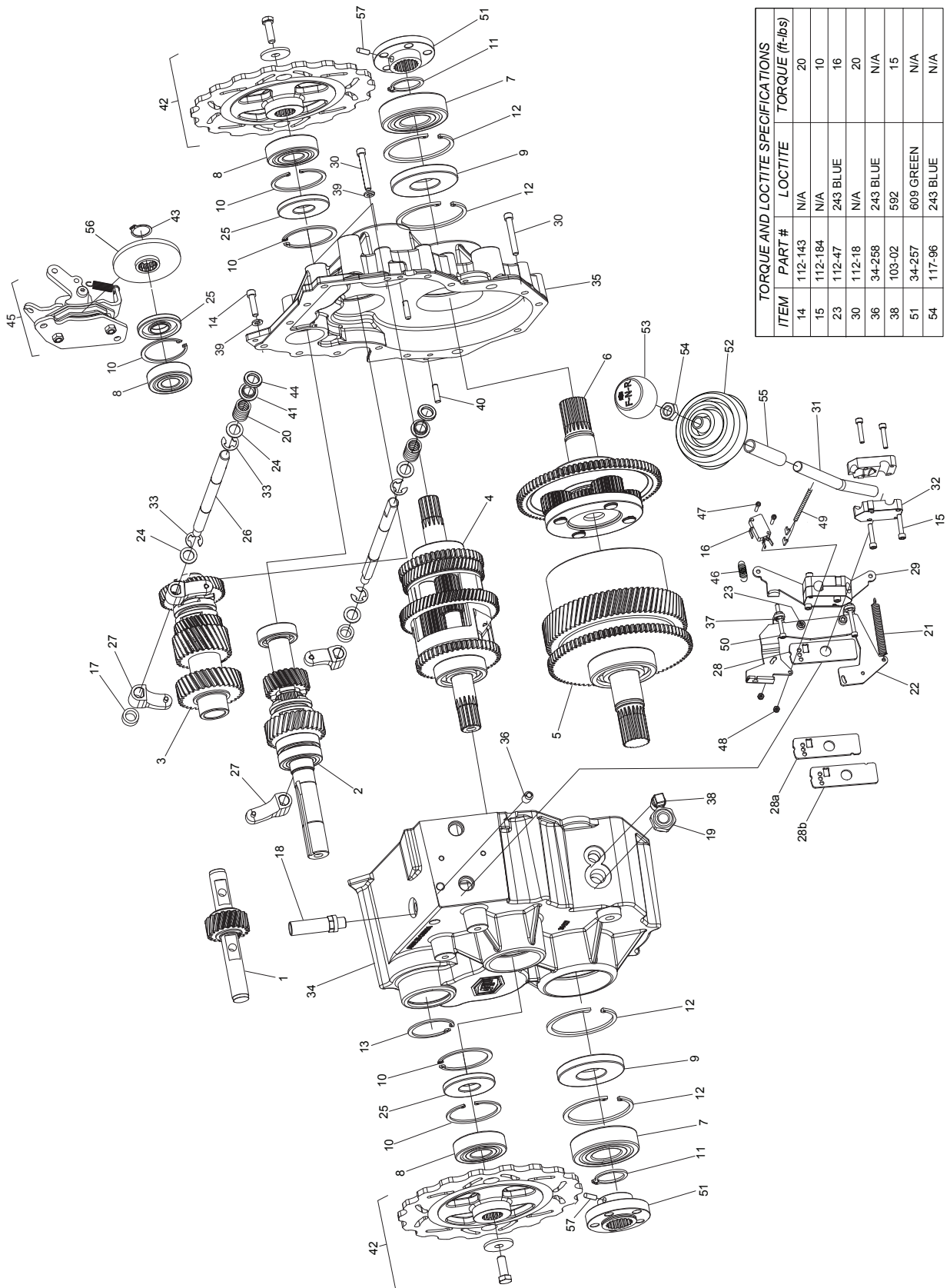
Old Model	Argo 750 HDi	Argo 750 HDi	Argo 750 HDi	Argo 750 HDi	Argo 750 HDi	Argo 750 HDi EU-17
Accessory Model	Avenger 8x8 Hunt Master	Avenger 8x8 Hunt Master R	Avenger 8x8 Hunt Master Z	Avenger 8x8 Hunt Master X	Avenger 8x8 Hunt Master ZX	Argo 750 HDi EU-17
Alternator			Yes		Yes	Yes
Brake Cooling				Yes	Yes	
Brake Lights	Yes	Yes	Yes	Yes	Yes	
Brushguard	Yes	Yes	Yes	Yes	Yes	Yes
Build Package	Hunt Master	Hunt Master	Hunt Master	Hunt Master	Hunt Master	
Drive Belt	127-137HD	127-137HD	127-137HD	127-137HD	127-137HD	127-137
Entry Step	Single	Dual	Dual	Dual	Dual	Single
Handrails	Yes	Yes	Yes	Yes	Yes	
Heater			Yes		Yes	
Receiver Winch	Yes	Yes	Yes	Yes	Yes	
Seats	Wilderness	Wilderness	Wilderness	Wilderness	Wilderness	Suspension
Tires & Rims**	25 Steel	25 Aluminum	25 Steel	25 Aluminum	25 Aluminum	25 Steel
Transmission	Standard High Torque	Standard High Torque	Standard High Torque	High Speed	High Speed	Standard
Winch	Yes	Yes	Yes	Yes	Yes	

* All vehicles come with bearing extensions, bilge pump and skid plate as standard.

** All tire & rims are reversible off-set.

1.0 Transmission

Avenger Parts Manual



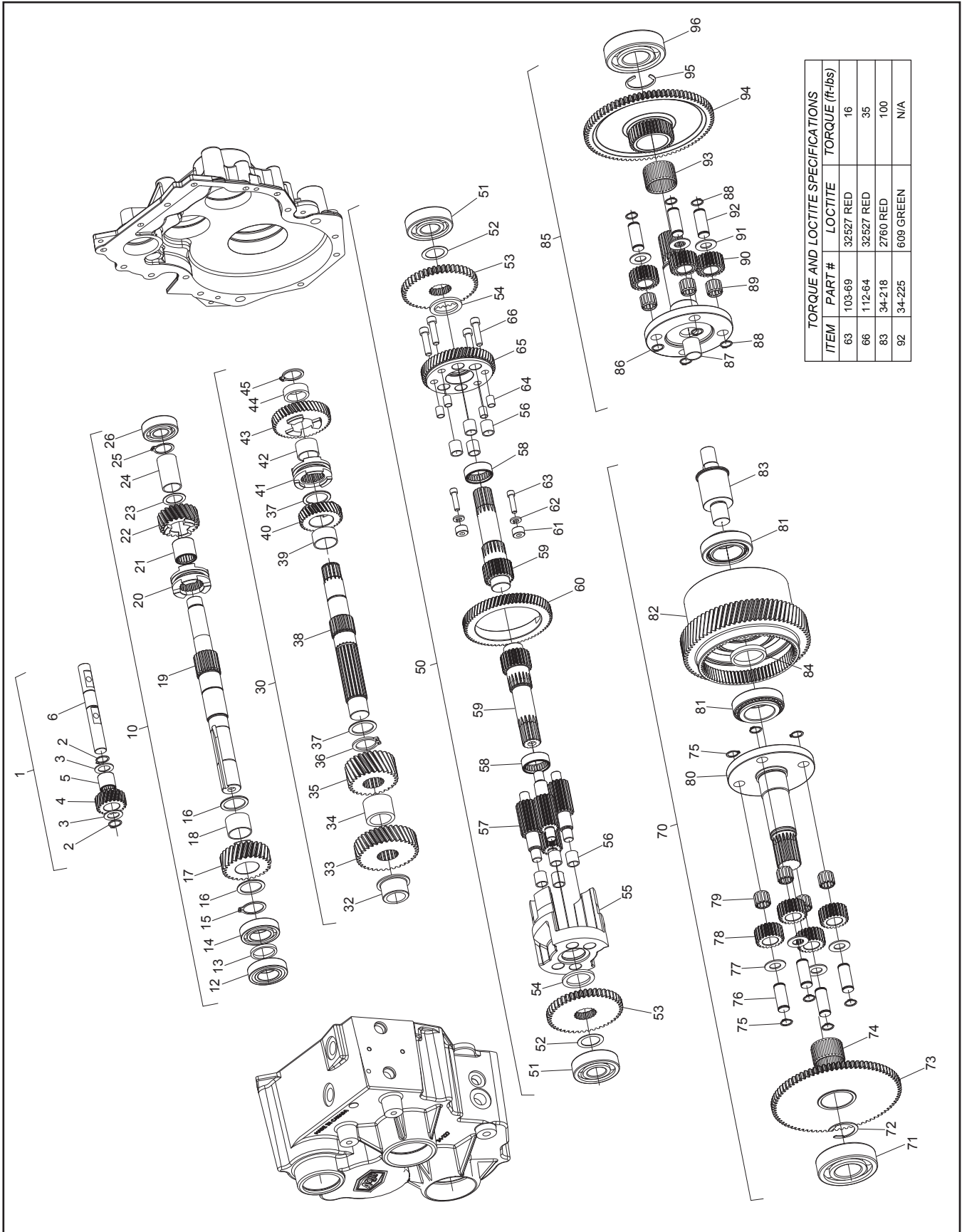
Avenger Parts Manual

1.0 Transmission

Ref.	Qty.	Part #	Description	Ref.	Qty.	Part #	Description
	1	34-200-6.2	Transmission Admiral 6.2	45			See Section 6.0 Parking Brake
	1	34-200-8.1	Transmission Admiral 8.1	46	1	127-195	Spring, Ext., .75 x 2.73
1-6		-FG	See Section 1.1 Trans. Sub Assemblies	47	2	112-172	SHCS 5-40 x 3/4 Zn
7	2	101-81	Bearing, Ball 6307 ZZE	48	2	112-173	Locknut, #5-40 Zn
8	3	101-86	Bearing, Ball 6305 Zz	49	1	613-112	Wire Harness, Neutral Start
9	2	102-33	Seal, Oil 35x80x10	50	2	112-195	SHCS 8-32 x 1.5 Stainless
10	5	106-05	Retaining Ring HO-244-PA	51	2	34-262	Coupler, Output Shaft, Pinned
11	2	106-23	Retaining Ring SH-0137-PA	52	1	609-44	Boot, F-N-R Shifter
12	4	106-24	Retaining Ring H0-312-PA	53	1	127-226	Knob, Shift F-N-R - HD
13	1	106-26	Retaining Ring H0-206-PA	54	1	117-96	Nut, Jam 1/2-13
14	10	112-143	SHCS 5/16 x 1.25 Zn	55	1	127-228	Sleeve, Insulating - 2.75"
15	8	112-184	SHCS, 10-32 x 1	56	1	165-52	Rotor, E-Brake
16	1	613-151	Switch, Micro, Roller Lever	57	2	104-75	Pin, Spring, 3/16x13/16 Zn
17	2	114-21	Spacer, .51x.75x.36				
18	1	34-245	Plug, Fill/Vent 1/2 BSPP				
19	1	34-251	Site Glass, 1/2 BSP Aluminum				
20	2	127-186	Spring, Comp. 0.70x1.28				
21	1	127-194	Spring, Ext .360x3.0				
22	1	34-241	Bracket, Switch, Spring Mount				
23	2	112-47	SHCS 1/4-20 x 1.0 Zn				
24	4	108-35	Washer .53x1.06x.09 Zn				
25	3	102-37	Seal, Oil 25x62x7				
26	2	34-231	Shaft, Shift - F-N-R				
27	4	34-232	Fork, Shift - Half				
28	1	34-233	Plate, Detent				
28a	1	34-233L	Plate, Detent, Left Adj.				
28b	1	34-233R	Plate, Detent, Right Adj.				
29	1	34-242	Bracket, Spring Mount				
30	8	112-18	SHCS 5/16x2.25				
31	1	34-235	Lever, Shaft - F-N-R				
32	4	34-236	Clamp, Lever Shaft				
33	4	106-30	Retaining Ring E-0050 E				
34	1	34-227	Housing, Transmission (includes Ref. #36)				
35	1	34-228	Housing, Cover				
36	1	34-258	Plunger, Ball - Nose Spring				
37	4	117-92	Nut, Hex Machine #8-32 Zn				
38	1	103-02	Plug, Magnetic 3/8-18Npt Sq. Hd				
39	11	108-05	Lockwasher 5/16 Split-Ring Zn				
40	2	104-03	Pin, Dowel 1/4x7/8				
41	2	105-33	Bushing, Flange				
42			See Section 4.0 Power Pack				
43	1	106-29	Retaining Ring SH-0093-PA				
44	2	102-36	Seal, Shift Shaft - 0.5 x .75 x .125				

1.1 Transmission Sub-Assemblies

Avenger Parts Manual

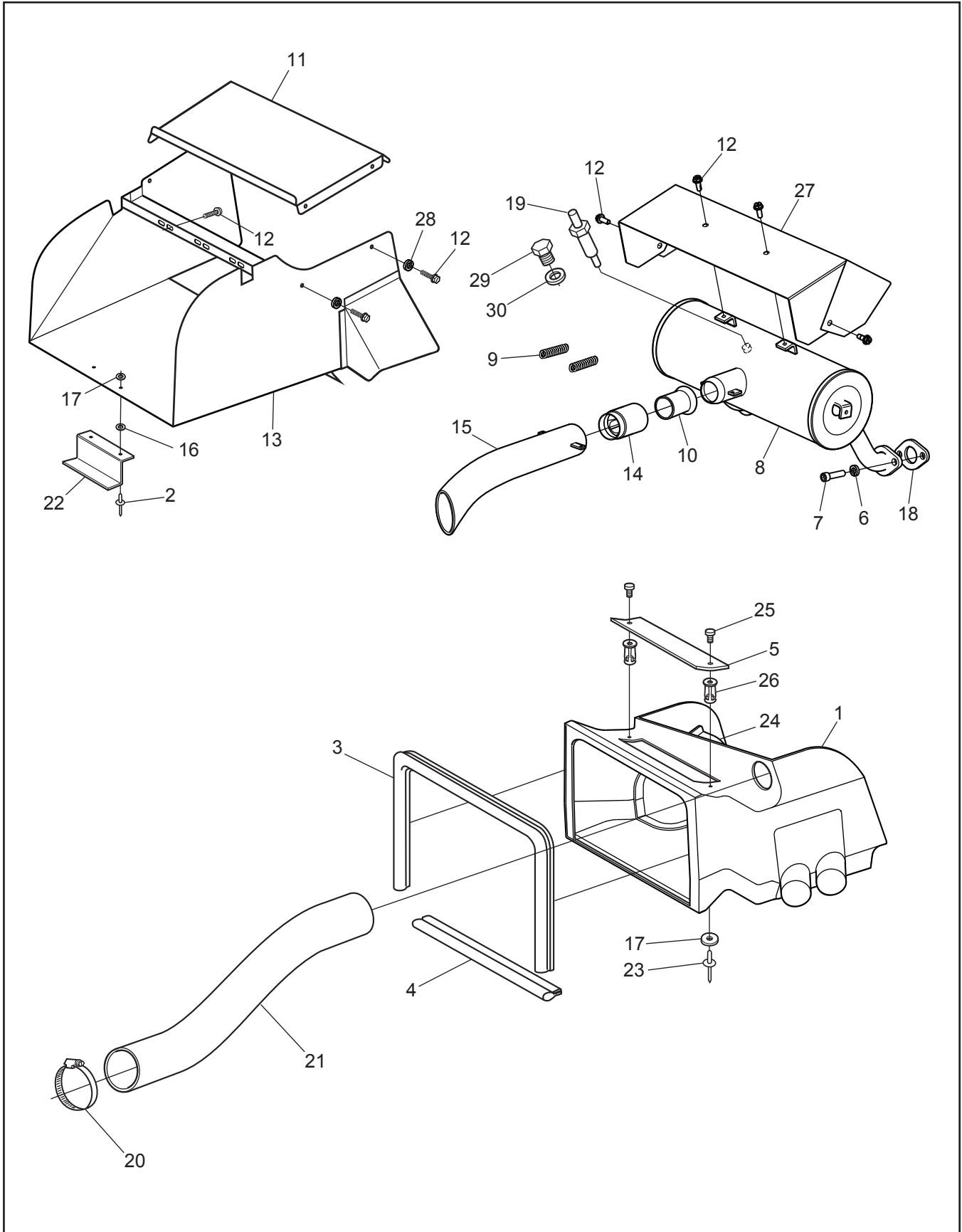


TORQUE AND LOCTITE SPECIFICATIONS		
ITEM	PART #	LOCTITE TORQUE (ft-lbs)
63	103-69	32527 RED 16
66	112-64	32527 RED 35
83	34-218	2760 RED 100
92	34-225	609 GREEN N/A

Avenger Parts Manual

1.1 Transmission Sub-Assemblies

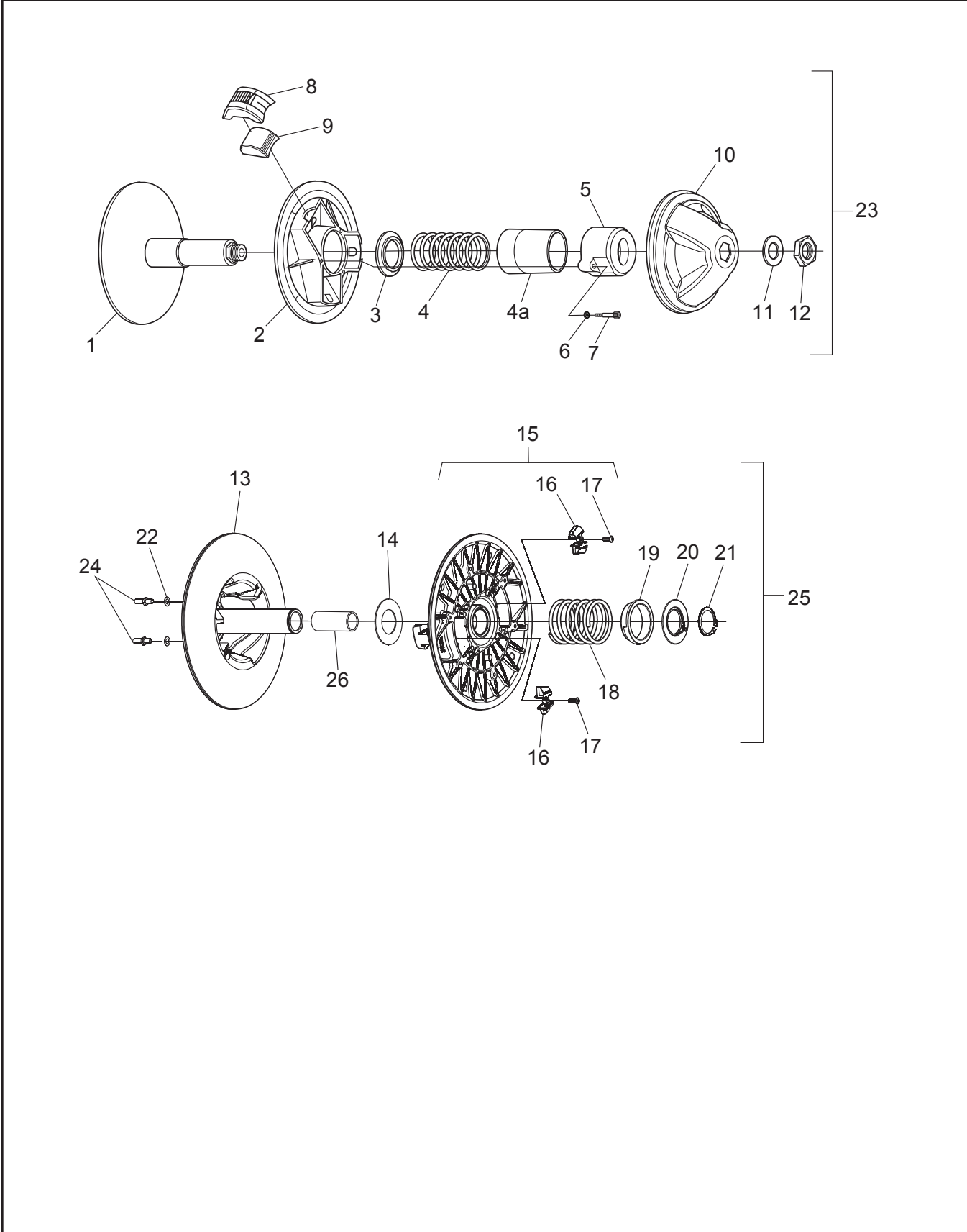
Ref.	Qty.	Part #	Description	Ref.	Qty.	Part #	Description
1	1	34-290	Asm, Reverse Shaft - Adm. includes:	60	1	34-205	Gear, Helical - 67T
2	2	106-25	Retaining Ring SH-0078-PA	61	2	105-28	Bushing, Dowel .26x.625x.36
3	2	108-99	Washer, Thrust .79x1.25 x .06	62	2	108-03	Lockwasher 1/4 Split Ring Zn
4	1	34-220	Pinion, Idler - 20T	63	2	103-69	SHCS, 1/4-20 x 1.5 Zn
5	1	101-87	Bearing, Needle HMK20x27x25	64	4	105-23	Bushing, Dowel - .312 x .5
6	1	34-221	Shaft, Shift - Reverse	65	1	34-204	Gear, Helical - 55T
10	1	34-291	Asm, Input Shaft includes:	66	4	112-64	SHCS 5/16 x 18 x 1.25
12	1	101-89	Bearing, Ball 60/28 Llu	70	1	34-294-HS	Asm, Output Shaft LH-Adm. includes:
13	1	114-19	Spacer, 1.12x1.375x.148	71	1	101-73	Bearing, Ball 6307 CL.N.
14	1	101-88	Bearing, Ball 60/28	72	1	106-31	Retaining Ring C-0137
15	1	106-27	Retaining Ring SH-112-PA	73	1	34-207-HS	Gear, Sun - 84T, 35T
16	2	108-98	Washer, Thrust 1.13x1.46x.062	74	1	101-83	Bearing, Needle KJ37x42x27S
17	1	34-247	Pinion, For.-29T,12Dp-6.4 Ratio	75	8	106-22	Retaining Ring SH-0056-PA
	1	34-249	Pinion, For.-25T,12Dp-8.4 Ratio	76	4	34-225	Pin, Planet Carrier
18	1	105-32	Bushing, Bronze 1.125x1.25x.875	77	4	108-93	Washer, .59x1.10x.06
19	1	34-213	Shaft, Input	78	4	34-217	Gear, Planet - 21T
20	1	34-224	Collar, Shift, For-Rev	79	4	101-82	Bearing, Needle KM J15x21x17S
21	1	101-90	Bearing, Needle HK2220	80	1	34-263	Carrier Shaft, Grooved LH
22	1	34-214	Pinion, Reverse - 21T,12Dp	81	2	101-76	Bearing, Tapered Roller 32008X
23	1	114-17	Washer, Thrust .866x1.181x.039	82	1	34-219	Planetary Hub
24	1	114-18	Spacer, .865x1.0x1.75	83	1	34-218	Shaft, Planetary Stub
25	1	106-25	Retaining Ring SH-0078-PA	84	1	114-22	Spacer, 1.585x1.75x.245
26	1	101-01	Bearing, Ball 6204Z-C3	85	1	34-293-HS	Asm, Output Shaft RH - Adm. includes:
30	1	34-295	Asm, Idler Shaft includes:	86	1	34-264	Carrier Shaft, Grooved RH
32	1	105-30	Bushing, Flanged 1x1.375	87	1	105-26	Bushing, Oilite .75x.875x.875
33	1	34-246	Gear, Helical - 33T- 6.4 Ratio	88	8	106-22	Retaining Ring SH-0056-PA
	1	34-248	Gear, Helical - 37T- 8.4 Ratio	89	4	101-82	Bearing, Needle KM J15x21x17S
34	1	108-96	Spacer, 1.125x1.5x1.083	90	4	34-217	Gear, Planet - 21T
35	1	34-209	Pinion, Helical - 27T	91	4	108-93	Washer, .59x1.10x.06
36	1	106-28	Retaining Ring SHR-0112-PA	92	4	34-225	Pin, Planet Carrier
37	2	108-98	Washer, Thrust 1.13x1.46x.062	93	1	101-83	Bearing, Needle KJ37x42x27S
38	1	34-208	Shaft, Idler	94	1	34-207-HS	Gear, Sun - 84T, 35T
39	1	105-31	Bushing, Bronze 1.125x1.25x.625	95	1	106-31	Retaining Ring C-0137
40	1	34-210	Pinion, Helical - 31T	96	1	101-73	Bearing, Ball 6307 CL.N.
41	1	34-223	Collar, Shift, Hi-Low				
42	1	105-29	Bushing, Oilite 1.0x1.125x.75				
43	1	34-212	Pinion, Helical - 43T				
44	1	108-97	Spacer, 1.01x1.3x.409				
45	1	107-15	Retaining Ring SHR-98-PA				
50	1	34-292-HS	Asm, Differential - Adm. includes:				
51	2	101-40	Bearing, Ball 6305 Open				
52	2	114-16	Washer, SHIM .99x1.375x.030				
53	2	34-203-HS	Pinion, Spur - 43T				
54	2	108-94	Washer, Thrust 1.25x1.688x.125				
55	1	34-206	Cage, Differential				
56	8	105-27	Bushing, Oilite .5x.625x.625				
57	4	34-202	Gear, Planet - 15T				
58	2	101-84	Bearing, Needle HK3012				
59	2	34-201	Shaft, Brake				



Ref.	Qty.	Part #	Description
1	1	809-03	Duct, Intake
2	2	120-13	Rivet, 3/16 x 3/4 - Black
3	2	809-166-35	Seal, 35" Long
4	2	809-06	Seal, Radiator - 16.25" LG
5	1	601-111	Cover Plate, Intake Duct
6	4	108-02	Lockwasher 5/16 Hi-Collar Bare
7	4	112-30	SHCS M8 x 1,25 x 20mm Zn
8	1	607-121	Muffler Ass'y, EFI
9	2	127-187	Spring, Extension - 17/32 x 3.75
10	1	607-135	Tube, Muffler, Flared x 2.0
11	1	607-190	Shield, Duct Exhaust Upper
12	11	112-19	Screw, IHWH T/C Slot 1/4-20 x 1/2
13	1	607-167	Duct, Exhaust, Avenger
14	1	607-171	Spark Arrestor, ODG
15	1	607-134	Pipe, Tail - Ass'y
16	2	125-58	Washer, Fibre - W-77F
17	12	120-04	Washer, .19 x .50 x .08 Zn
18	2	24 041 49	Gasket, Exhaust Manifold
19	1		See Section 4.0 Power Pack Assembly
20	1	100-128	Clamp, Gear 2.25"
21	1	848-194	Hose, Intake Flex 2" Dia. x 24"
22	1	607-170	Support, Exhaust Duct - Avenger
23	13	120-09	Rivet, 3/16 x 1.0 Black
24	1	809-04	Shroud, Intake Duct
25	2	117-89	Thumbscrew, 1/4-20 x 1, Nylon
26	2	117-53	Nut, Jack 1/4-20 8L-Jns Zn
27	1	607-123	Shield, Muffler Heat
28	4	108-03	Lockwasher 1/4 Split Ring Zn
29	1	607-211	Plug, Threaded - O2 Sensor
30	1	114-34	Washer, Copper - O2 Plug

3.0 Clutch System

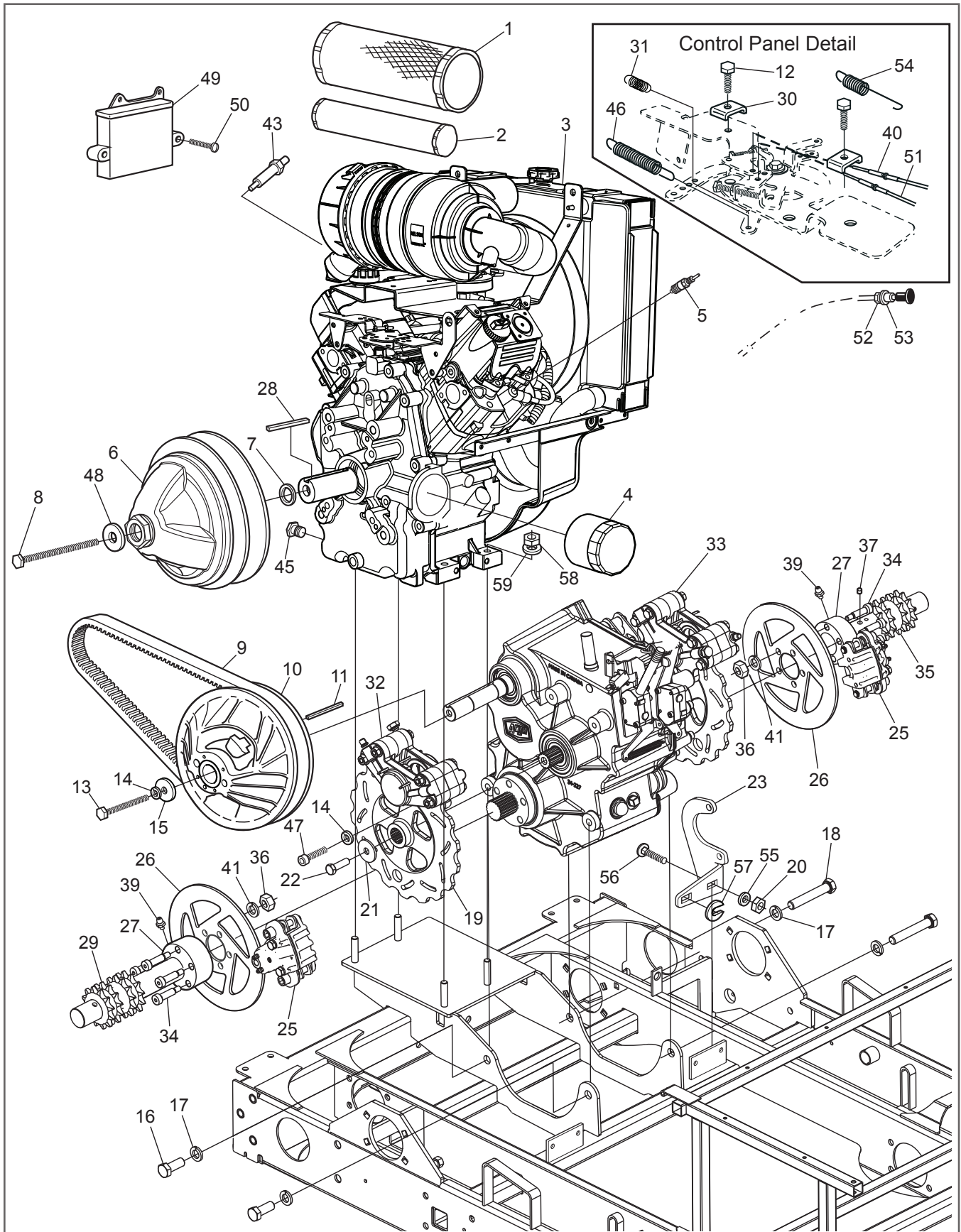
Avenger Parts Manual



Ref.	Qty.	Part #	Description
1	1	0405-0138	Flange, Fixed
2	1	0410-0033	Flange, Sliding
3	1	0150-1014	Spring Guide Washer
4	1	1151-1114	Spring
4a	1	0450-3002	Guide, Spring
5	1	0440-0005	Spring Cover
6	3	0080-0167	Lockwasher
7	3	0080-0021	Screw, Cap
8	3	0130-3012	Block
9	3	0135-3061	Weight (230gr) - EFI Model
	3	0135-3065	Weight (275gr) - 700 Models
	1	127-208	Weight Set (3), 185g - High Elevation (See Bulletin NP #5)
	1	127-209	Weight Set (3), 220g - High Elevation (See Bulletin NP #5)
	1	127-210	Weight Set (3), 240g - High Elevation (See Bulletin NP #5)
10	1	0115-2061	Cap
11	1	0080-0804	Washer, Zn
12	1	V16J1	Nut
13	1	5905-0003	Flange, Fixed
14	1	0080-0164	Washer, Shim
15	1	5910-0002	Flange, Sliding
16	2	5930-3001	Cam Shoe
17	2	0080-0031	Screw
18	1	5951-1009	Spring
19	1	5950-3003	Spring Protector
20	1	5950-3002	Spring Support
21	1	0080-0216	Retaining Ring, Outside
22	2	0080-0167	Lockwasher
23	1	610-128	Clutch, Driver - EFI Models
	1	610-126	Clutch, Driver - 700 Models
24	2	0080-0035	Screw & Nut Ass'y
25	1	127-156	Clutch, Driven - INVANCE
26	1	5940-2001	Keyway Stopper

4.0 Power Pack Assembly

Avenger Parts Manual



Avenger Parts Manual

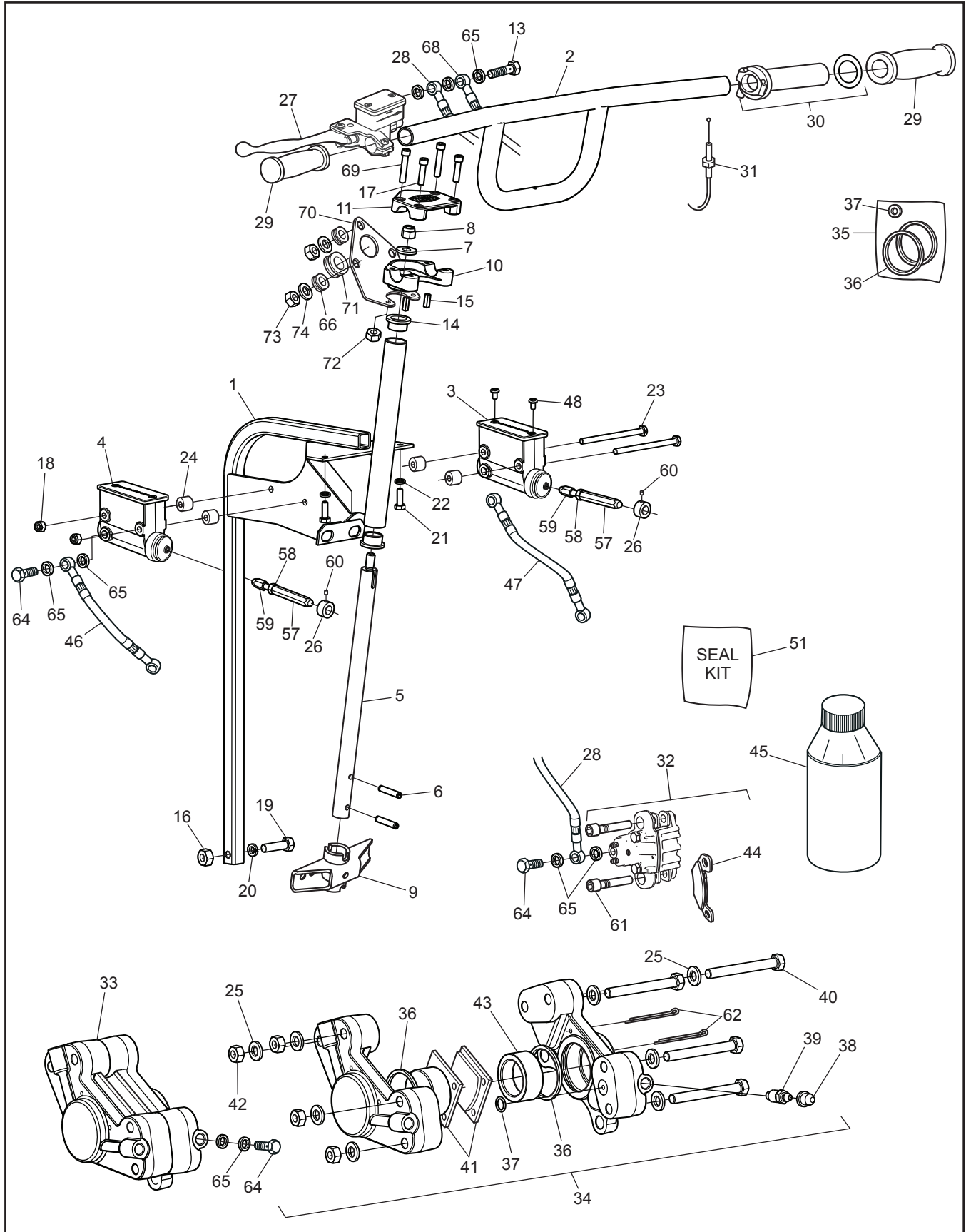
4.0 Power Pack Assembly

Ref.	Qty.	Part #	Description
1	1	25 083 01	Filter, Air
2	1	25 083 04	Element, Inner
3	1	ELH775-3011	Kohler 30 HP Engine, EFI
	1	LH690-3017	Kohler 24 HP Engine
	1	ECH749-PH	Engine, Kohler 26 HP EFI
4	1	12 050 01	Filter, Oil
5		127-193	Sparkplug, RC14YC
6			See Section 3.0 Clutch System
7	1	108-84	Washer, Engine Clutch
8	1	112-160	HHCS, 7/16-20 x 5.0" Lg
9	1	127-137	Drive Belt - 10.5" Cen. Dist
	1	127-137HD	Drive Belt - Avg/HDi Heavy Duty (Opt.)
10			See Section 3.0 Clutch System
11	1	110-03	Key 1/4 x 3/16 x 2.375 RC46
12	1	M-545016	Screw, Clamp Cable (Kohler #)
13	1	112-164	HHCS 3/8-16 x 3.5 Gr5 Zn
14	6	108-06	Lockwasher 3/8 Split Ring Zn
15	1	108-46	Washer .40 x 1.37 x 1.2 Hi-Carbon
16	2	112-189	HHCS 1/2-13 x 1.25 Gr5 Zn
17	4	108-107	Lockwasher 1/2" High Alloy
18	2	112-190	HHCS 1/2-13 x 3.0 Gr5 Zn
19	2	165-22	Disc, Brake - Admiral
20	4	117-118	Locknut, Nylon 3/8-16, Flanged
21	2	108-18	Washer .40 x 1.37 x .12 Zn
22	2	103-60	HHCS 3/8-24 x 1 Gr5
23	1	165-54	Brkt, Caliper HD RH
24	1	165-53	Brkt, Caliper HD LH (not shown)
25			See Section 5.0 Steering & Brake System
26	2	165-25	Disc, Brake, Service
27	2	810-117	Coupler, Idler Shaft
28	1	110-18	Key 1/4 x 1/4 x 1.75
29	1	810-116-HS	Shaft, Idler, Spline, Long 12T
	1	810-116	Shaft, Idler, Spline, Long 11T
30	1	12 237 01	Clamp, Cable (Kohler #)
31	1	24 089 51	Spring, Throttle (Kohler #)
32			See Section 5.0 Steering & Brake System

Ref.	Qty.	Part #	Description
33			See Section 5.0 Steering & Brake System
34	10	112-201	Bolt, Shoulder M10 x 45
35	1	810-115-HS	Shaft, Idler Spline, Short 12T
	1	810-115	Shaft, Idler Spline, Short 11T
36	10	117-77	Locknut, Nylon - M8 x 1,25mm Zn8
37	1	613-127	Magnet, Speedometer
38	1	112-102	Screw, Self Drill 12-14 x 3/4"
39	2	100-127	Fitting, Grease STR 1/4-28 TPR (From S.N. 31096)
40	1	612-101	Cable Asm., Throttle
41	10	108-05	Lockwasher 5/16 Split-Ring Zn
43	1	25 418 07	Sensor, Oxygen
44	4	108-26	Washer, .43 x 1.02 x .09 Zn
45		112-156	Plug, Oil Drain 3/8-18 NPT Hex
46	1	24 089 46	Spring, Governer (Kohler #)
47	4	103-41	SHCS 3/8-16x1.25 Zn
48	1	108-58	Washer, .47 x 1.37 x 12 Hi-Carbon
49	1	66 584 05	ECU (c/w engine)
50	2	112-161	PHMS, 10-24 x 2.5
51	1	612-92	Cable Ass'y, Choke
52	1	117-68	Nut, Jam 3/8-24 UNF Zn
53	1	108-32	Lockwasher 3/8 Int. Tooth
54	1	127-49	Spring, Extension
55	4	108-47	Washer .39x.94x.13 Zn
56	4	103-88	C/Bolt 3/8-16x1.0 Gr5 Zn
57		114-03	Shim, 1/32 Thick (as required)
58	4	117-29	Locknut, Nylon 3/8-16 Zn
59	4	108-15	Washer .42x.81x.05 Zn

5.0 Steering & Brake System

Avenger Parts Manual



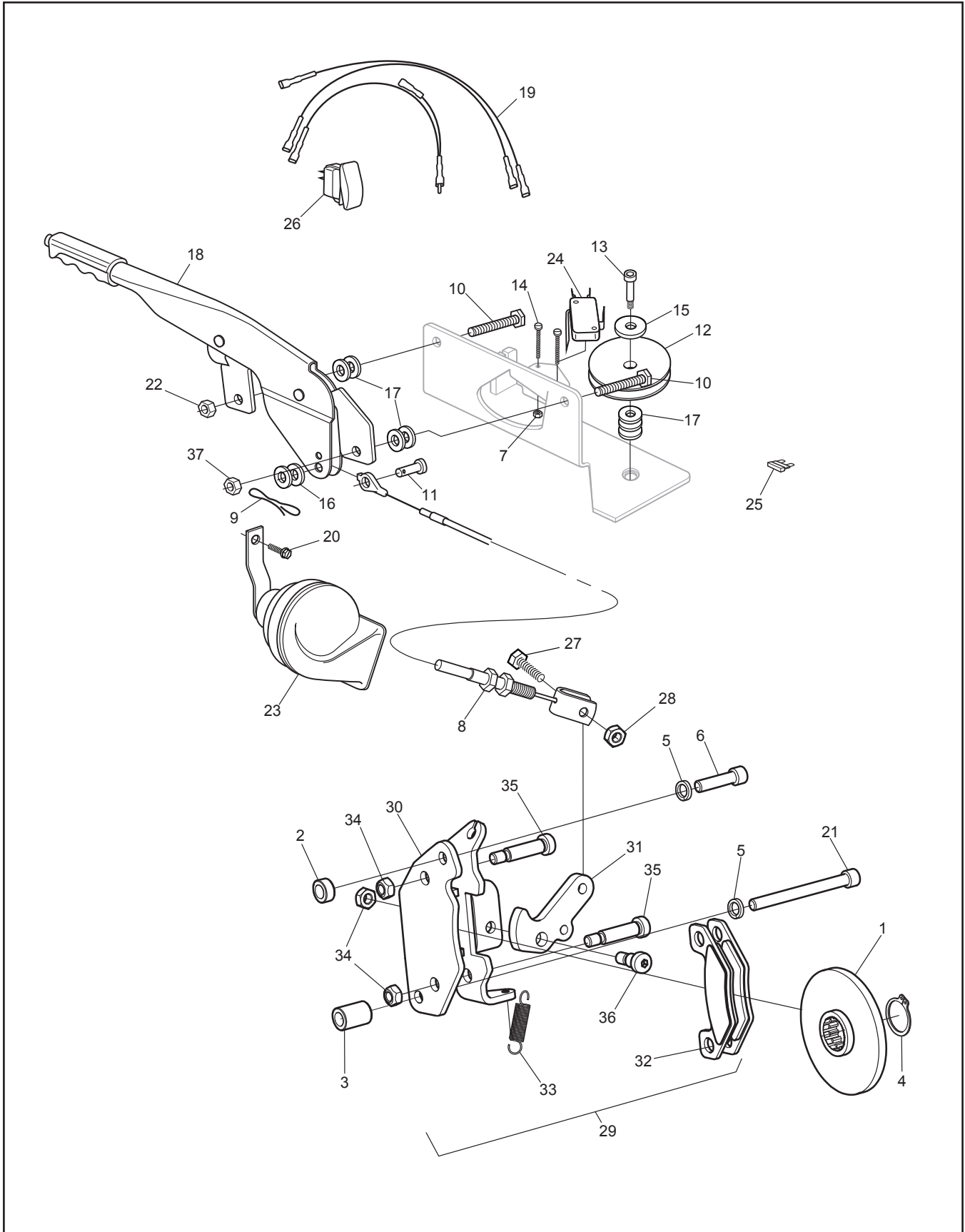
Avenger Parts Manual

5.0 Steering & Brake System

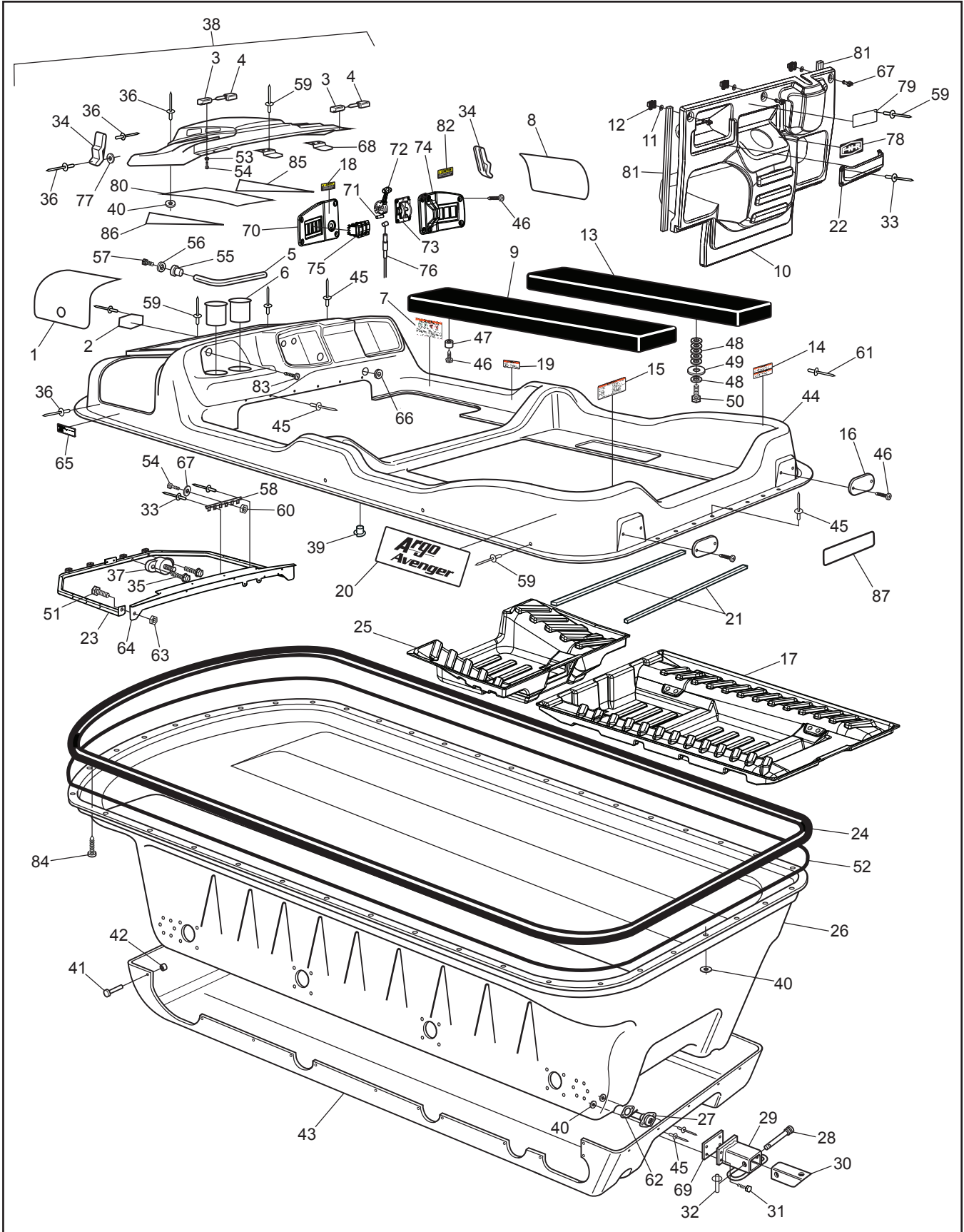
Ref.	Qty.	Part #	Description	Ref.	Qty.	Part #	Description
1	1	612-142	Wldt., Steering Column	45		126-19	Fluid, Brake-Silicon Dot 5 - .35L
2	1	612-107	Handlebar Assembly	46	1	163-05	Hose Asm, Hydraulic - Left
3	1	165-58	Master Cylinder, RH Wilwood	47	1	163-06	Hose Asm, Hydraulic - Right - SS
4	1	165-57	Master Cylinder, LH Wilwood	48	2x2	160-42	Screw, FHMS M5 x 0,8 x 6mm
5	1	612-128	Shaft, Steering - Avenger	51	1	165-37	Piston Seal Kit - Wilwood
6	2	104-42	Pin, Spring 1/4 x 1.5"	57	2	812-30	Pin, Female
7	1	108-47	Washer, .39 x .94 x .13 Zn Di-chr	58	2	117-03	Nut, Fin Hex 5/16-18 Zn
8	1	117-29	Locknut, Nylon 3/8-16 Zn	59	2	812-31	Pin, Male
9	2	612-141	Wldt., Steering Arm	60	2	112-02	SHSS 10-24x1/4 Knurl Cup PT, PL
10	1	612-106	Clamp, Lower Handlebar	61	4	165-38	Caliper Pin, Service Brake HDi
11	1	612-105	Clamp, Upper Handlebar	62	2x2	168-07	Pin, Cotter 1/8 x 3.00 Zn
13	1	112-194	Bolt, Banjo, M10x1.0, Double	64	6	160-44	Bolt, Banjo - M10 x 1,0 x 21,0
14	2	105-16	Bushing, Oilite - 3/4 x 1/2	65	15	160-01	Washer, Copper - 1,5 x 10,0 x 14,0
15	2	110-17	Key, 3/16 x 3/16 x .625	66	3	125-84	Grommet, Rubber
16	1	117-21	Locknut, Nylon 5/16-18 Zn	68	1	165-43	Brake Line, Driver Side
17	2	112-47	SHCS, 1/4-20 x 1.0 Zn	69	2	103-69	SHCS 1/4-20 x 1.5 Zn
18	2	117-27	Locknut, Nylon 1/4-20 Zn	70	1	612-132	Bracket, LCD Gauge - Painted
19	1	112-155	C/Bolt 5/16-18x1.25 Gr2 Zn	71	1	128-27	Grommet 1-1/4ID x 1-1/2x3/32
20	1	108-24	Washer, .34 x .70 x .06 Zn	72	2	117-86	Nut, Acorn, 1/4-20 Zn
21	2	112-04	HHCS 1/4-20 x 3/4 Gr2 Zn	73	3	117-85	Nut, Acorn, M5 Zn
22	2	108-03	Lockwasher 1/4 Split Ring Zn	74	3	120-04	Washer .19 x .50 x.08 Zn
23	2	112-300	HHCS, 1/4-20 x 5.0 Gr5 Zn				
24	4	615-12	Bushing, Lock - 1/4"IDx5/8OD				
25	2x8	108-24	Washer, .34 x .70 x .06 Zn				
26	2	812-17	Collar				
27	1	165-31	Handbrake, Left Hydraulic				
28	1	165-42	Brake Line, Passenger Side				
29	2	127-35	Grip, Molded				
30	1	127-81	Throttle Twist Grip				
31	1	612-101	Cable Asm., Throttle				
32	2	165-32	Caliper, Service (includes Ref. 44 & 61)				
33	1	166-12	Caliper, Hydraulic Brake - L				
34	1	166-13	Caliper, Hydraulic Brake - R				
35	2	161-05	O-ring Kit, Knott Caliper				
36	4		Seal, Piston				
37	2		Seal, Rubber				
38	2x1	168-20	Plug, Rubber				
39	2x1	168-02	Screw, Bleeding, Knott Caliper				
40	2x4	103-55	HHCS, 5/16-18 x 2.75 Gr5 Zn				
41	1	170-03	Pad Set (4), Brake - Non-Asbestos				
42	2x4	117-125	Nut, Jam 5/16-18 Thin				
43	2x2	168-01	Piston, Knott Caliper				
44	1	165-36	Brake Pad (4) Replacement - Kit				

6.0 Parking Brake

Avenger Parts Manual



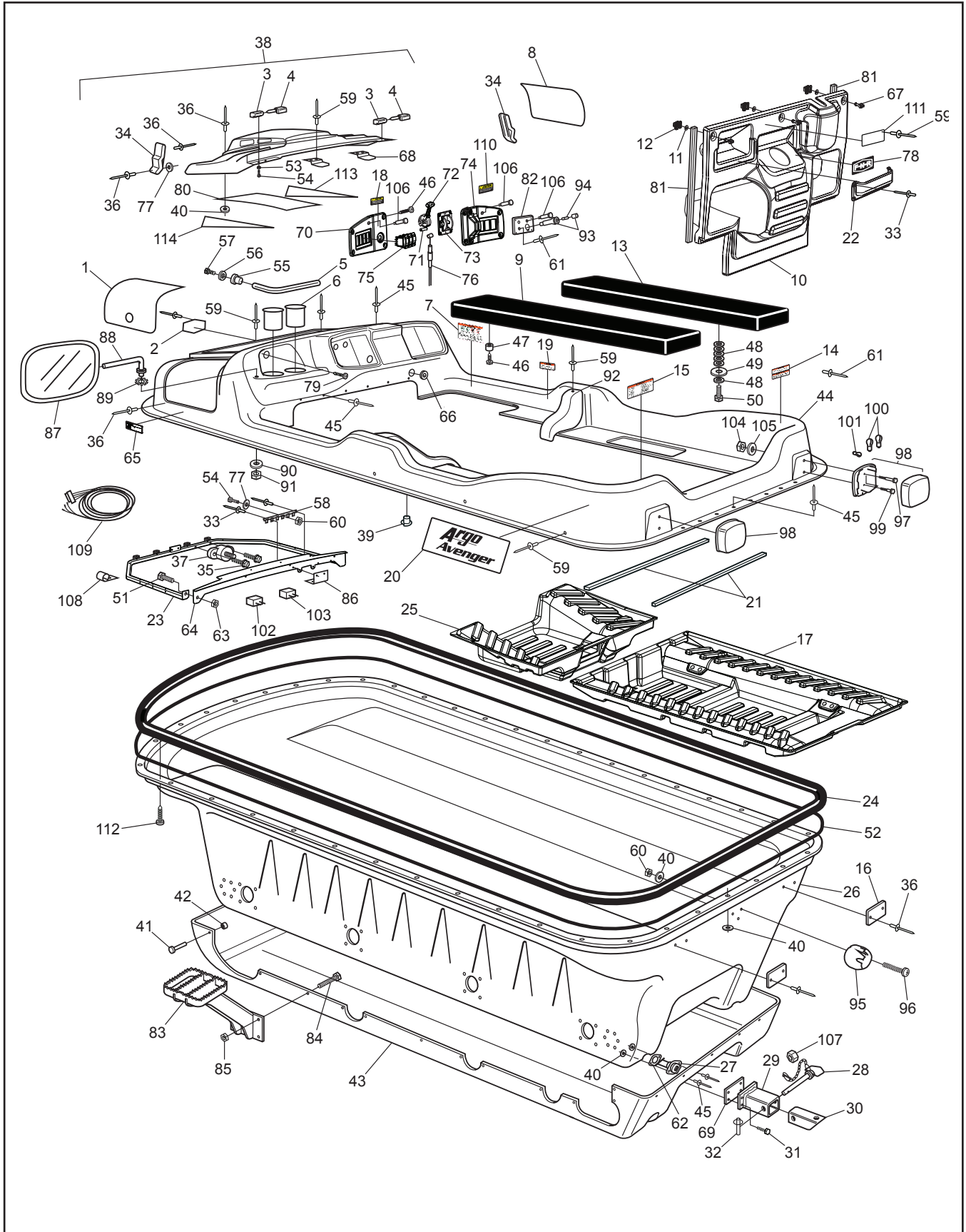
Ref.	Qty.	Part #	Description
1	1	165-52	Rotor, E-Brake
2	1	165-49	Spacer, ID.39 x OD.63 x .295
3	1	165-48	Spacer, ID.39 x OD.63 x .90
4	1	106-29	Retaining Ring SH-0093-PA
5	2	108-05	Lockwasher 5/16 Split-Ring Zn
6	1	112-143	SHCS 5/16 x 1.25 Zn
7	2	112-173	Locknut, #5-40, Zn
8	1	850-81	Cable, Parking Brake
9	1	100-140	Pin, Bow-Tie Cotter 0.091 x 1.875
10	2	103-06	HHCS 5/16-18x1.0 Gr5 Zn
11	1	104-27	Pin, Clevis 5/16x.75" Zn
12	1	850-79	Pulley, Parking Brake Cable
13	1	112-178	Bolt, Shoulder, 1/2 x 5/8
14	2	112-172	SHCS 5-40 x 3/4 Zn
15	1	108-35	Washer .53 x 1.06 x .09 Zn
16	2	108-24	Washer .34x.70x.06 Zn
17	7	108-47	Washer .39x.94x.13 Zn Di-Chro
18	1	809-147	Lever, Parking Brake
19	1	848-176	Harness, Horn Momentary*
20	1	112-19	Screw,IHWH T/C Slot 1/4-20x1/2*
21	1	112-228	SHCS 5/16-18 x 3.25 Zn
22	1	117-21	Locknut, Nylon 5/16-18 Zn
23	1	848-87	Horn, Electric*
24	1	613-120	Switch, Micro, Lever
25	1	118-52	Fuse, 10A 2-Prong (AT010)*
26	1	848-175	Switch, Horn Momentary*
27	1	103-08	HHCS 1/4-20 x 1.0 Zn
28	1	117-27	Locknut, Nylon 1/4-20 Zn
29	1	165-50	Caliper, Parking Brake, Ass'y(incl. Ref. #'s 30-36)
30	1	165-44	Caliper, Wldt Parking Brake
31	1	165-51	Cam, Caliper, Park Brake
32	1	165-36	Brake Pad Replacement Kit
33	1	127-280	Spring, Extension 3/8" x 1.75"
34	3	117-25	Nut, Conelock 5/16-18
35	2	112-224	Bolt, Shoulder 3/8 x 1.25
36	1	112-223	Bolt, Shoulder 3/8 x 0.38
37	1	117-124	Locknut, Nylon Acorn 5/16-18 Zn
			*If equipped



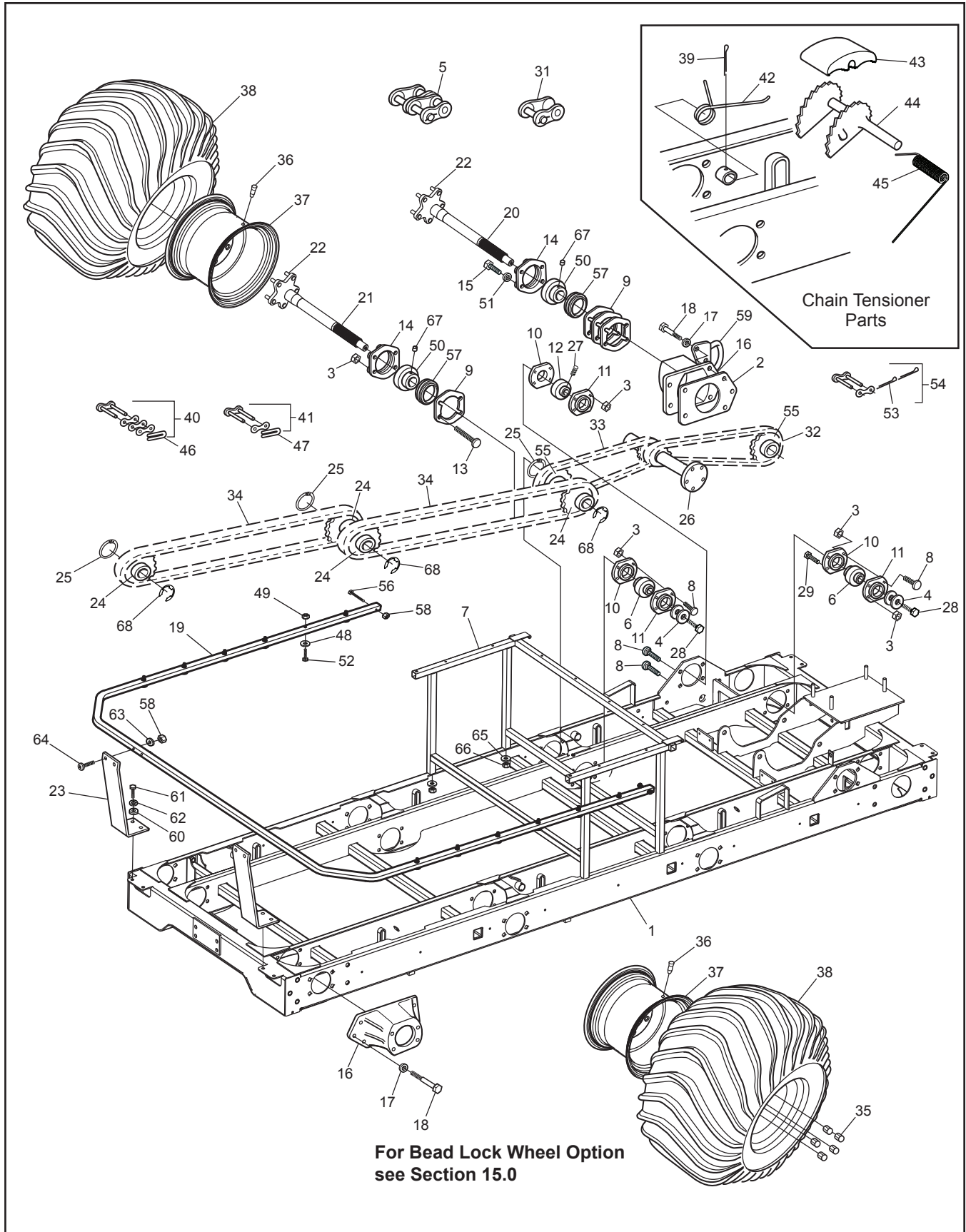
Avenger Parts Manual

7.1 Vehicle Body & Firewall

Ref.	Qty.	Part #	Description	Ref.	Qty.	Part #	Description
1	1	707-56	Weldment, Exhaust Screen	48	24	108-25	Washer .31 x .75 x .06 Zn
2	1	601-130	Nameplate, "Argo"	49	4	603-15	Washer, Plastic 5/16 Hole
3	2	127-45B	Knuckle, Hinge	50	4	103-08	HHCS 1/4-20 x 1.0 Zn
4	2	127-45A	Pin, Hinge	51	2	112-04	HHCS 1/4-20 x 3/4 Gr2 Zn
5	1	601-101BL	Tube, Dash Handle	52	1	126-60	Vinyl Strip, 1/2" x 1/4" x 37.5'
6	2	100-109	Cup holder Insert	53	8	108-59	Lockwasher #10 Int. Tooth Zn
7	1	126-68	Plate, Operation	54	9	103-47	HHCS 10-24 x 1/2
8	1	707-59	Weldment, Intake Screen	55	1	113-12	Insert, 1/2-13
9	1	608-64	Seat, Rear - Left	56	1	108-35	Washer .53 x 1.06 x .09 Zn
	1	608-64CF	Seat, Rear - Left - CF	57	1	112-151	HHCS 1/2-13 x 1" Gr2 Zn
10	1	609-42	Firewall, Admiral	58	1	613-37	Terminal Strip, Ground
11	3	114-40	Washer, Stud Retainer 6mm	59	17	120-13	Rivet, 3/16 x 3/4 Black
12	3	117-126	Clip, Q-Turn 6mm Steel	60	1	117-10	Locknut, 10-24 N/I Zn
13	1	608-65	Seat, Rear - Right	61	38	120-24	Rivet, 3/32 x 3/8 Alum. (all plates)
	1	608-65CF	Seat, Rear - Right - CF	62	2	100-114	Gasket, Drain Plug
14	1	126-67	Plate, Floor Pan	63	2	117-82	Locknut, Flange 1/4-20 Zn
15	1	127-217	Plate, Vehicle Capacity	64	1	602-51	Frame Ass'y, Hood - Rear
16	2	127-01	Reflector, Red	65	1	127-144	Label, Warning - HOT
17	1	803-64	Floor Pan, Rear - HDi	66	1	128-26	Grommet, 1-1/2ID x 1-3/4x1/4
18	1	127-199	Label, Caution - Dash, HDi	67	3	112-312	Stud, Q-Turn 6mm x 15mm Steel
19	1	126-69	Plate, Fuel	68	2	602-52	Clip, Hood
20	2	850-370	Nameplate - Argo Avenger	69	1	616-20	Gasket, Rear Hitch
21	2	601-09	Trim, Vinyl - 28"	70	1	601-113	Panel, Dash - Left, HDi
22	1	609-43	Glove Box, Firewall, HDi	71	1	104-66	Pin, HD Shift Cable Threaded
23	1	602-49	Frame Ass'y, Hood - Front	72	1	127-212	Pivot, Hi-Lo Shifter
24	1	801-05	Bumper, Vinyl - 8x8	73	1	127-211	Bracket, Hi-Lo Shifter
25	1	803-63	Floor Pan, Front - HDi	74	1	601-112	Panel, Dash - Right, HDi
26	1	801-50	Body, Lower	75	1		See Section 10.0 Electrical System
27	2	100-107	Plug, Drain - Flanged	76	1	127-223	Cable, Hi-Lo Shift Threaded
28	1	104-13	Pin, Toplink - 3/4 x 2.75	77	6	120-05	Washer .19 x .50 x .04 Zn
29	1	616-16	Hitch Assembly	78	1	127-200	Label, F-N-R - HDi
30	1	616-19	Tube, Hitch	79	1	129-01	Plate, Geared By ODG
31	4	103-61	HHCS 3/8-24 x 1.5 Gr5 Zn	80	1	707-66	Weldment, Hood Screen, Front
32	1	104-11	Pin, Lynch - Ring	81	2	809-166-15	Seal, 15" Long
33	12	120-15	Rivet - 1/8 x 7/16	82	1	127-221	Label, Shift Warning
34	2	602-56	Latch, Hood - Soft Draw	83	3	112-139	OHP S T/S #4x5/8 Black Zn
35	2	112-51	Screw, IHWH T/C #10-24x5/8	84	8	112-292	T/S Washer Hd Phil #8x3/4 Blk
36	34	120-11	Rivet 5/32 x 9/16 - Black	85	1	707-62	Weldment, Hood Screen RH
37	1	613-123	Post, Power, 5/16-18, Red	86	1	707-63	Weldment, Hood Screen LH
38	1	602-70	Hood Ass'y, Avg/HDi 8x8 (specify colour) (incl. 3, 4, 34, 36, 40, 45, 53, 54, 59, 67, 68, 79, 80)	87	1	850-374	Nameplate, Responder
					1	850-376	Nameplate, Responder X
39	2	117-44	T- Nut 1/4-20 Zn		1	850-377	Nameplate, Hunt Master
40	92	120-04	Washer .19 x .50 x .08 Zn		1	850-378	Nameplate, Hunt Master Z
41	36	120-27	Pin, Magna Grip		1	850-379	Nameplate, Hunt Master X
42	36	120-28	Collar, Magna Grip		1	850-380	Nameplate, Hunt Master ZX
43	1	801-51	Skid Plate, 8x8 - Black		1	850-384	Nameplate, Avenger ST
44	1	801-194	Body & Hood 8x8 HDi 750, (spec. colour) (incl. 23, 33, 34, 38)		1	850-385	Nameplate, Avenger STX
					1	850-386	Nameplate, Avenger LX
					1	850-402	Nameplate, Hunt Master R
45	115	120-09	Rivet 3/16 x 1 - Black		1	850-403	Nameplate, Avenger 8x8 STR
46	16	103-48	T/S Pan HD PHIL #10 x 5/8	88	8	108-42	Washer .21 x 1.0 x .06 Zn
47	4	126-79	Bumper, Plastic - Black				Note: For ultra chrome add UC to part #



Ref.	Qty.	Part #	Description	Ref.	Qty.	Part #	Description
1	1	707-56	Weldment, Exhaust Screen	62	2	100-114	Gasket, Drain Plug
2	1	601-130	Nameplate, "Argo"	63	2	117-82	Locknut, Flange 1/4-20 Zn
3	2	127-45B	Knuckle, Hinge	64	1	602-51	Frame Ass'y, Hood - Rear
4	2	127-45A	Pin, Hinge	65	1	127-144	Label, Warning - HOT
5	1	601-101BL	Tube, Dash Handle	66	1	128-26	Grommet, 1-1/2ID x 1-3/4x1/4
6	2	100-109	Cup holder Insert	67	3	112-312	Stud, Q-Turn 6mmx15mm-Steel
7	1	126-68	Plate, Operation	68	2	602-52	Clip, Hood
8	1	707-59	Weldment, Intake Screen	69	1	616-20	Gasket, Rear Hitch
9	1	608-64	Seat, Rear - Left	70	1	601-113	Panel, Dash - Left, HDi
10	1	609-42	Firewall, Admiral	71	1	104-66	Pin, HD Shift Cable Threaded
11	3	114-40	Washer, Stud Retainer 6mm	72	1	127-212	Pivot, Hi-Lo Shifter
12	3	117-126	Clip, Q-Turn 6mm - Steel	73	1	127-211	Bracket, Hi-Lo Shifter
13	1	608-65	Seat, Rear - Right	74	1	601-112	Panel, Dash - Right, HDi
14	1	126-67	Plate, Floor Pan	75	1		See Section 11.0 Electrical System
15	1	127-217	Plate, Vehicle Capacity	76	1	127-223	Cable, Hi-Lo Shift Threaded
16	2	613-148	Rear Reflector, Hella	77	6	120-05	Washer .19 x .50 x .04 Zn
17	1	803-69	Floor Pan, Rear Euro - HDi	78	1	127-200	Label, F-N-R - HDi
18	1	127-199	Label, Caution - Dash, HDi	79	3	112-139	OHPS T/S #4x5/8 Black Zn
19	1	126-69	Plate, Fuel	80	1	707-66	Weldment, Hood Screen, Front
20	2	127-207	Nameplate - HDi SE	81	2	809-166	Seal, 15" Long
21	2	601-09	Trim, Vinyl - 28"	82	1	601-116	Plate, Indicator - SE HDi
22	1	609-43	Glove Box, Firewall, HDi	83	1	848-05	Step Ass'y, Entry - Avenger
23	1	602-49	Frame Ass'y, Hood - Front	84	4	103-34	HHCS 3/8-16x1.25 Gr5 Zn
24	1	801-05	Bumper, Vinyl - 8x8	85	4	117-29	Locknut, Nylon 3/8-16 Zn
25	1	803-63	Floor Pan, Front - HDi	86	1	602-61	Bracket, Flasher Relay Mnt
26	1	801-50	Body, Lower	87	1	848-168	Mirror, Side
27	2	100-107	Plug, Drain - Flanged	88	1	848-169	Support, Side Mirror
28	1	104-55	Pin with Chain and Lynch Pin	89	1	108-55	Lockwasher 7/16 Ext Tooth Zn
29	1	616-22	Hitch Assembly, EU	90	1	108-18	Washer .40x1.37x.12 Zn
30	1	616-19	Tube, Hitch	91	1	117-60	Locknut, Nyloc M10x1.5mm Zn
31	4	103-61	HHCS 3/8-24 x 1.5 Gr5 Zn	92	2	601-117	EU Cover, Body Side - TPO
32	1	104-11	Pin, Lynch - Ring	93	1	613-163	Switch, Hazard Flasher, No Bulb
33	12	120-15	Rivet - 1/8 x 7/16	94	1	613-164	Bulb, Hazard Flasher
34	2	602-56	Latch, Hood - Soft Draw	95	1	613-147	Trailer Connector, Hella
35	2	112-51	Screw, IHWH T/C #10-24x5/8	96	3	112-07	RHMS 10-24x1.50 Zn
36	34	120-11	Rivet 5/32 x 9/16 - Black	97	2	103-77	HHCS 1/4-28x2.0
37	1	613-123	Post, Power, 5/16-18, Red	98	2	613-143	Tail Stop Turn
38	1	602-70	Hood Kit (specify colour) (incl. 3, 4, 34, 36, 40, 45, 53, 54, 59, 67, 68, 80)	99	4	112-121	HHCS 1/4-28x1.25 Gr2 Zn
39	2	117-44	T- Nut 1/4-20 Zn	100	4	613-169	Bulb, EU Tail, Turn Signal
40	92	120-04	Washer .19 x .50 x .08 Zn	101	2	613-171	Bulb, EU RR Marker
41	36	120-27	Pin, Magna Grip	102	1	613-146	4 Way Flasher Relay, Hella
42	36	120-28	Collar, Magna Grip	103	1	118-73	Relay, Signal Light, Glow Plug
43	1	801-51	Skid Plate, 8x8 - Black	104	4	117-01	Locknut, Nylon 1/4-28 Zn
44	1	801-194	Body & Hood, Upper - (specify colour) (incl. 23, 33, 34, 38)	105	4	108-08	Washer .28x.62x.07 Zn
45	115	120-09	Rivet 3/16 x 1 - Black	106	5	613-145	Dashboard Lights, Hella
46	12	103-48	T/S Pan HD PHIL #10 x 5/8	107	1	112-115	Locknut, Nylon M6x1 Zn
47	4	126-79	Bumper, Plastic - Black	108	8	127-24	Clamp, Nylon - 1" ID
48	24	108-25	Washer .31 x .75 x .06 Zn	109	1	613-149	Wire Harness, EU Ligh Acc.
49	4	603-15	Washer, Plastic 5/16 Hole	110	1	127-221	Label, Shift Warning
50	4	103-08	HHCS 1/4-20 x 1.0 Zn	111	1	129-01	Plate, Geared By ODG
51	2	112-04	HHCS 1/4-20 x 3/4 Gr2 Zn	112	8	112-292	T/S Washer Hd Phil #8x3/4 Blk
52	1	126-60	Vinyl Strip, 1/2" x 1/4" x 37.5'	113	1	707-62	Weldment, Hood Screen RH
53	8	108-59	Lockwasher #10 Int. Tooth Zn	114	1	707-63	Weldment, Hood Screen LH
54	9	103-47	HHCS 10-24 x 1/2	115	1	100-122	Sticker, Headlamp - EU
55	1	113-12	Insert, 1/2-13	116	1	100-123	Sticker, Position Lamp - EU
56	1	108-35	Washer .53 x 1.06 x .09 Zn	117	1	100-124	Sticker, Left Turn Ind. - EU
57	1	112-151	HHCS 1/2-13 x 1" Gr2 Zn	118	1	100-125	Sticker, Right Turn Ind. - EU
58	1	613-37	Terminal Strip, Ground	119	1	100-126	Sticker, Operational Lamp - EU
59	23	120-13	Rivet, 3/16 x 3/4 Black	120	8	108-42	Washer .21 x 1.0 x .06 Zn
60	4	117-10	Locknut, 10-24 N/I Zn				Note: For ultra chrome add UC to part #
61	44	120-24	Rivet, 3/32x3/8 Alum. (all plates)				



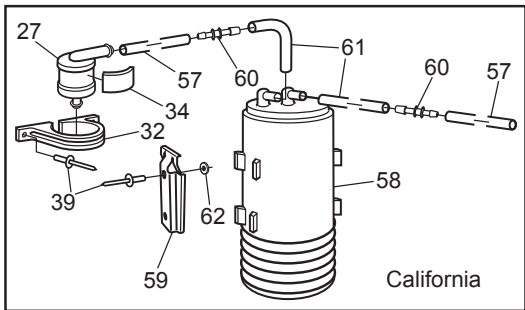
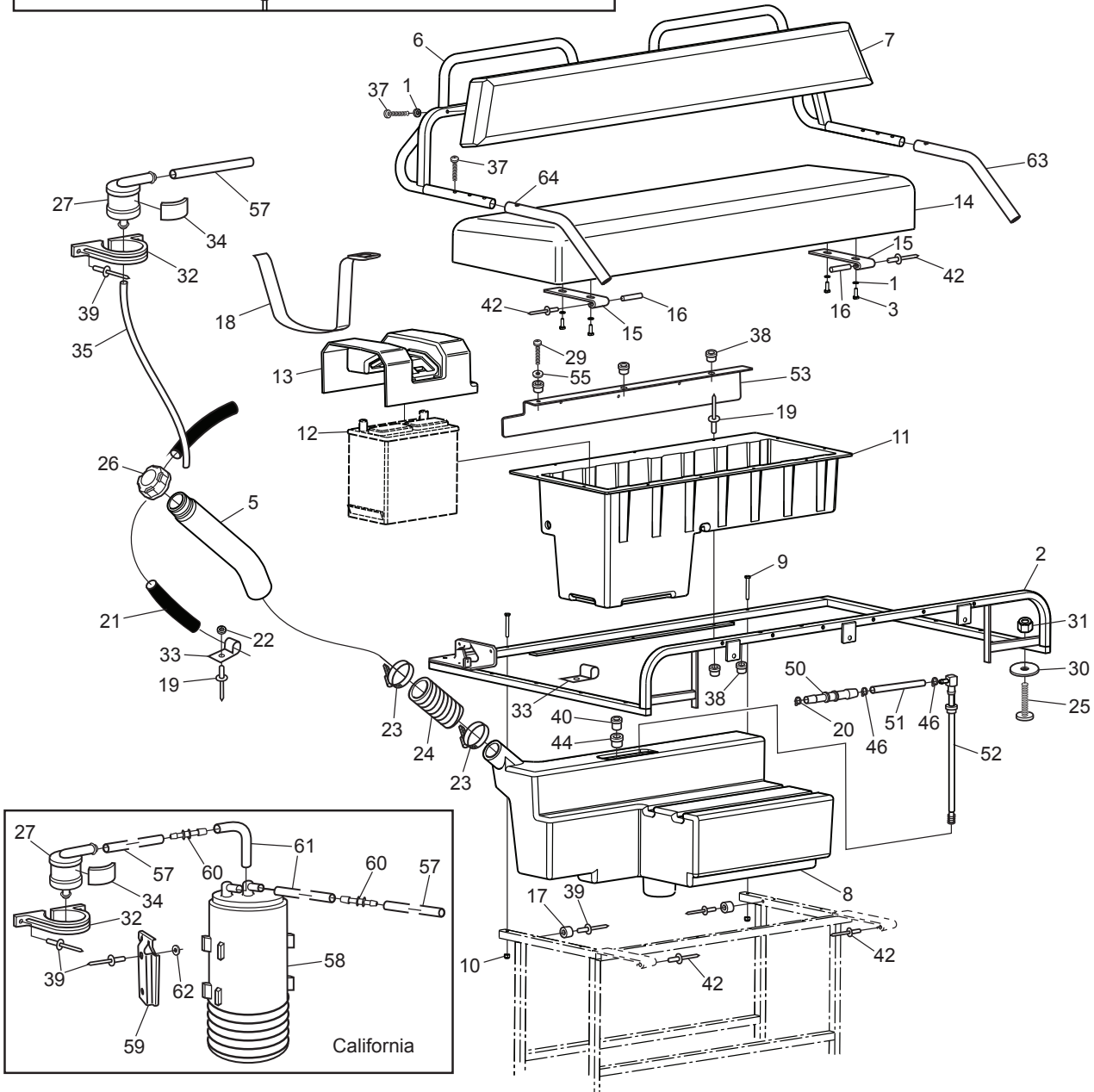
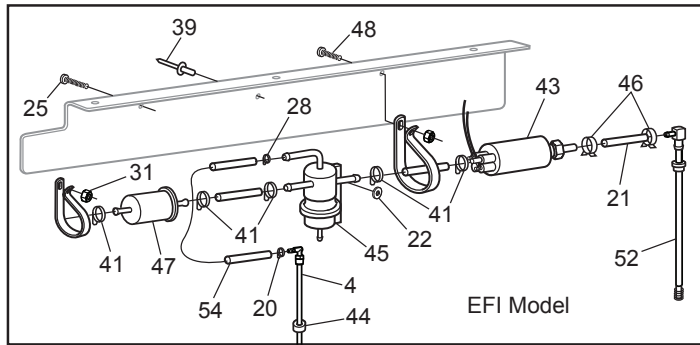
Avenger Parts Manual

8.0 Frame and Drive System

Ref.	Qty.	Part #	Description	Ref.	Qty.	Part #	Description
1	1	804-131	Frame Wldt, 8x8 HD	43	6	606-44	Slider Block
2	4	606-25	Gasket - Bearing Extension	44	6	606-82	Tensioner Asm, Chain
3	72	117-118	Locknut, Nylon 3/8-16, Flanged	45	6	127-64	Spring, Torsion - .76 x 1.9
4	16	108-46	Washer .40 x 1.37 x .12 Hi-Carbon	46	4	603-95	Spring Clip - RC 50 Closed
5		125-75	Link, Half RC50-2	47	4	603-96	Spring Clip - RC 60 Closed
6	8	101-41	Bearing, Ball - 1.0	48	14	108-42	Washer .21x1.0x.06 Zn
7	1	804-138	Frame Wldt, Seat 8x8	49	14	117-10	Locknut, 10-24 N/I Zn
8	39	103-88	C/Bolt 3/8-16 x 1.0 Gr5 Zn	50	8	101-123	Bearing, Ball - 1.375 x 72mm
9	16	606-90	Gasket, Flange - 72mm	51	16	108-06	Lockwasher 3/8 Split Ring Zn
10	20	606-91	Flange - 4 Hole Hd	52	14	112-07	RHMS 10-24x1.50 Zn
11	10	606-92	Flange, Greasable - 4 Hole Hd	53	4	104-35	Pin, Cotter 2mm x 12mm
12	2	101-96	Bearing, Ball - 1.25x1.5 No Grv	54	2	127-188	Link, Con. #60 Lambda
13	16	112-187	C-Bolt 3/8-16x2.0 Gr5 Zn	55	4	805-142	Sprocket, D50x25T-16/32 Int.
14	8	606-88	Flange Ass'y, Outer Bearing	56	4	805-144	Sprocket, D50x24T (HS Opt.)
15	16	103-68	HHCS 3/8-16 x 2.0 Gr5 Zn	57	2	112-214	HHCS 1/4-20 x 2 Gr5 Zn
16	4	810-112	Bearing Extension w/nuts	58	8	606-89	Carrier, Axle Bearing
17	20	108-34	Washer .47 x .94 x .06 Zn	59	6	117-27	Locknut, Nylon 1/4-20 Zn
18	20	112-181	HHCS 7/16-20 x 1.75 Gr5 Zn	60	2	642-47	Tie Down Bracket
19	1	806-254	Tube, Rear Hoop, Argo	61	4	108-12	Washer .34x1.00x.06 Zn
20	4	810-122	Axle Asm - Forged, Front/Rear	62	4	103-06	HHCS 5/16-18x1.0 Gr5 Zn
21	4	810-123	Axle Asm - Forged, Mid	63	4	108-05	Lockwasher 5/16 Split-Ring Zn
22	5x8	112-183	Stud, Wheel 7/16-20 x 1.5	64	4	108-08	Washer .28x.62x.07 Zn
23	2	806-255	Bracket, Rear Hoop, Argo	65	4	112-215	C/Bolt 1/4-20 x 1.5 Gr2 Zn
24	8	805-143	Sprocket, S60x19T -16/32 Int	66	4	108-24	Washer .34x.70x.06 Zn
25	6	106-15	Retaining Ring SH-0137-PA	67	4	117-21	Locknut, Nylon 5/16-18 Zn
26	1		See Section 4.0 Power Pack Ass'y	68	8	112-200	SHSS 5/16-24x5/16 Flat PT
27	4	112-60	SHSS 1/4-28 x 1/2 Cup Pt.	68	6	106-34	Retaining Ring, E-Style 1.375"
28	8	112-31	HHCS 3/8-16 x 1.0 2B Gr8 Zn				Tire, Rim & Valve Assemblies
29	1	112-163	HHCS 3/8-16 x 2.0 Gr5 Zn	8		127-182AR	Tire, Argo 25 & Alum Rim -RH
30	8	112-61	C/Bolt 3/8-16 x 1.25 Gr5 Zn	8		127-182AL	Tire, Argo 25 & Alum Rim -LH
31		127-80	Link, Half - RC60 - 1 (opt.)	8		127-182SR	Tire, Argo 25 & Steel Offset Rim -RH
32	2	603-19	Chain, RC50-2x44P-Front (incl. Ref. 40)	8		127-182SL	Tire, Argo 25 & Steel Offset Rim -LH
33	2	803-65	Chain, RC50-2x80P-Middle (incl. Ref. 40)				For Bead Lock Wheel Option see Section 15.0
34	4	803-57	Chain, RC60-1 x 90P-Rear (incl. Ref. 41)				
35	5x8	117-35	Nut, Wheel 7/16-20 Zn				
36	8	125-26	Valve, Tire				
37	8	127-255BL	Rim - 9x10x1.2 Offset -Black				
38	8	127-182	Tire, Argo 25x12-9				
39	6	100-01	Pin, Cotter 1/8 x 1.50 Zn				
40	1x4	100-96	Con. Link, RC50-2 H.D.				
41	1x4	603-84	Con. Link, RC60-1 H.D.				
42	6	127-65	Spring Torsion - 1.16x0.35				

9.1 Fuel System & Seat Assembly

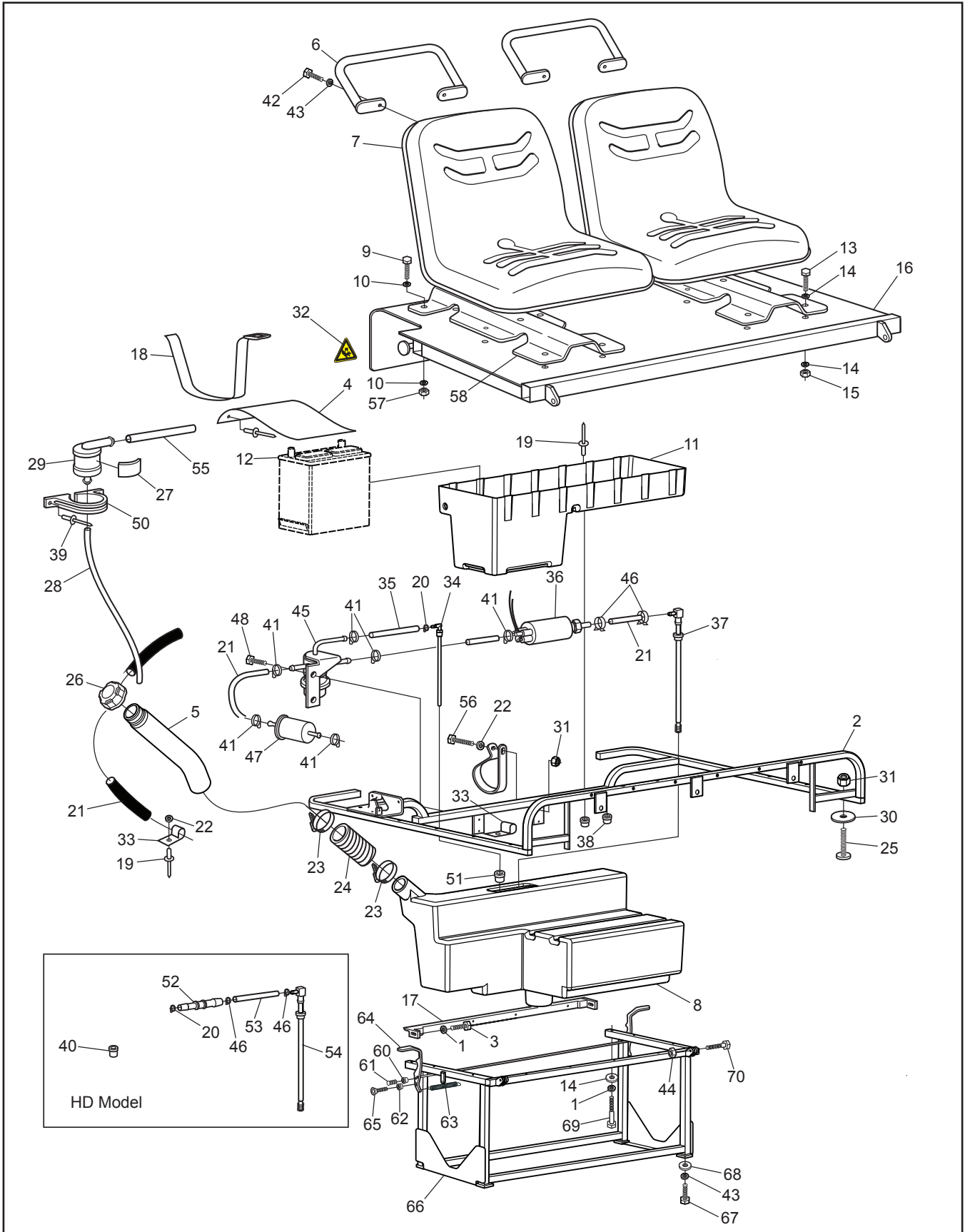
Avenger Parts Manual



Avenger Parts Manual 9.1 Fuel System & Seat Assembly

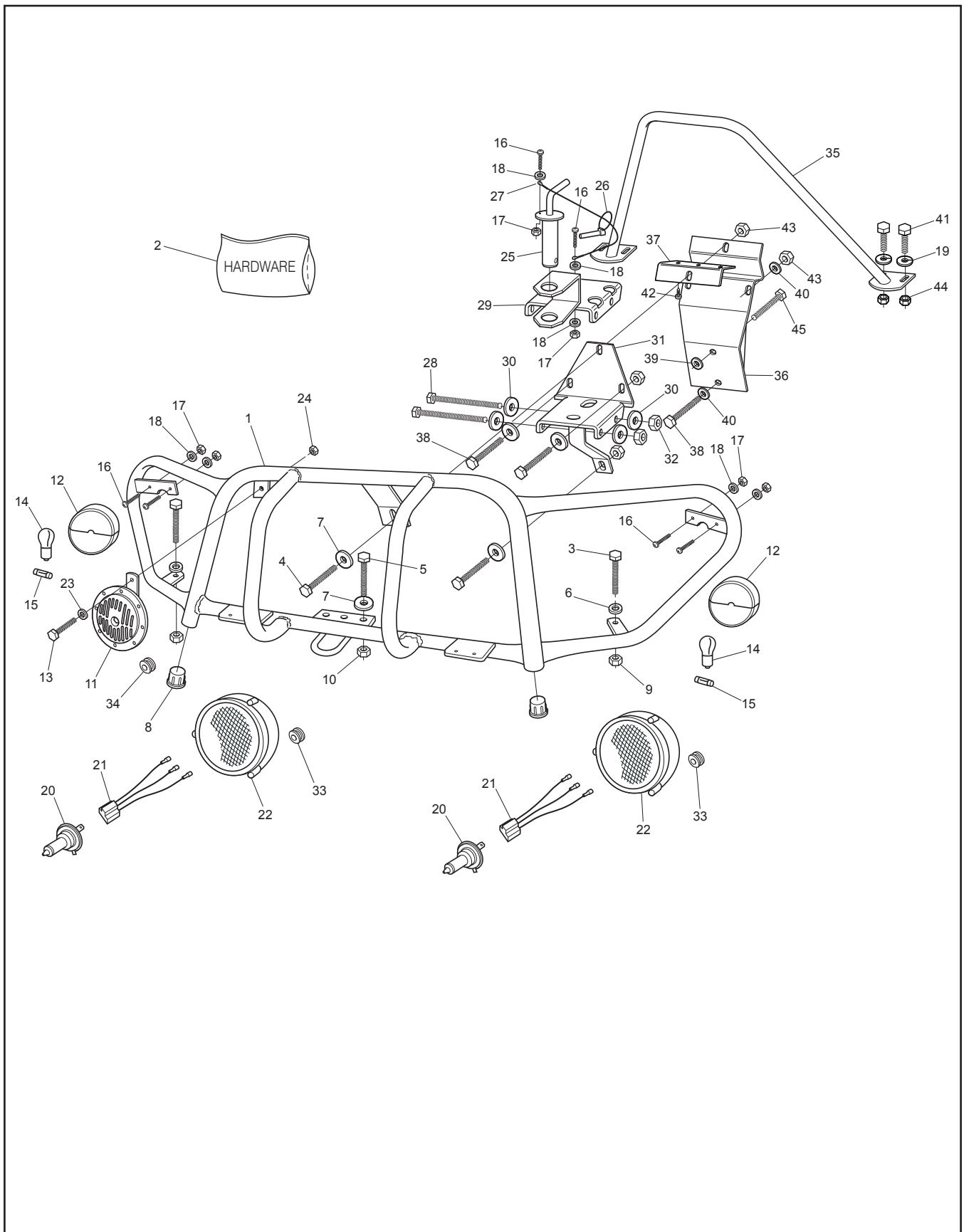
Ref.	Qty.	Part #	Description	Ref.	Qty.	Part #	Description
1	8	108-03	Lockwasher 1/4 Split Ring Zn	44	1	608-136	Grommet, Fuel Return
2	1	608-145	Frame Assembly, Seat HDi	45	1	24 403 16	Regulator, Fuel Pressure
3	4	112-04	HHCS 1/4-20x3/4 Gr2 Zn	46	2	112-78	Clamp, Hose, 9/16
4	1	608-138	Return, Fuel Port	47	1	24 050 03	Filter, Fuel Line - EFI - c/w engine
5	1	608-140	Fuel, Fill Neck Assembly	48	1	103-25	PHMS, 10-24 x 3/4 Zn
6	1	608-186	Weld. Adj. Backrest, Argo	50	1	808-133	Reducer, 5/16" to 1/4" Barbed
7	1	608-39	Back Pad Assembly	51	2"	608-69RM	Hose, Fuel - 5/16" ID Carb
	1	608-39CF	Back Pad Assembly - CF	52	1	608-127	Pick-up, Fuel, 5/16 105 Mesh
8	1	608-120	Tank, Fuel Low Permeation	53	1	601-122	Bracket, Support Body Upper Fuel
9	2	103-77	HHCS, 1/4-28 x 2.0	54	1	608-66	Hose, Fuel
10	2	117-01	Locknut, Nylon 1/4-28 Zn	55	3	108-106	Washer, Countersunk 1/4 Zn
11	1	608-54	Toolbox				United States Vehicle Kit
12	1	127-54	See Section 10.0 Electrical System				Plate, Serial Blank Double Label, U.S EPA EVAP Approval
13	1	608-55	Cover, Battery		1	127-273	
14	1	608-88	Seat Assembly, Bench - Thick		1	127-274	
	1	608-88CF	Seat Assembly, Bench - CF	56	2	120-24	Rivet, Alum - 3/32 x 3/8 Black
15	2	608-81	Hinge, Seat, Bolted				California Vehicle Kit
16	2	104-43	Pin, 3/16" x 1-1/8"		1	127-273	Plate, Serial Blank Double Label, U.S EPA EVAP Approval
17	2	126-102	Bumper, Recessed Hole		1	127-274	
18	1	608-56	Strap, Battery				
19	17	120-09	Rivet 3/16x1 - Black				
20	3	112-79	Clamp, Hose, 1/2" - Red				
21	1	608-69	Hose, Fuel 5/16" ID x 7.5' - Carb		1	127-273	Plate, Serial Blank Double Label, U.S EPA EVAP Approval
22	9	120-04	Washer .19 x .50 x .08 Zn		1	127-274	
23	2	100-12	Clamp, Gear 2.25" HF-36	39	2	120-13	Rivet - 3/16 x 3/4 Black
24	1	125-94	Hose, Filler	56	4	120-24	Rivet, Alum - 3/32 x 3/8 Black
25	11	112-07	RHMS 10-24 x 1.50 Zn				Label, Carb EVAP Approval
26	1	126-100	Fuel Cap, Tethered		1	127-275	
27	1	609-47	Valve, Rollover	57	1	126-101RM	Hose, Vent 3/16" ID
28	1	112-258	Clamp, Fuel Injection 1/4	58	1	609-45	Carbon Canister 800cc
29	3	112-213	FHMS, Phil 1/4-20x1.25 Zn	59	1	609-46	Bracket, Carbon Canister
30	10	108-42	Washer .21 x 1.0x.06 Zn	60	2	609-48	Reducer, Barbed 1/4" to 3/16"
31	14	117-10	Locknut, Nylon #10-24 Zn	61	2	127-160-3	Hose, 1/4ID x 3/8OD - 3" Long
32	1	609-50	Clamp, Rollover Valve	62	2	120-05	Washer .19x.50x.04 Zn
33	7	126-93	Clamp, Nylon Wire - 1/2" ID				
34	1	126-60	Vinyl Strip 1/2" x 1/4"	63	1	608-191	Tube, L.F. Backrest, Argo
35	6'	127-160RM	Tubing, 1/4 ID Clear Plastic	64	1	608-192	Tube, R.F. Backrest, Argo
36	1	112-41	PHMS, Phil 1/4-20 x 1.25 Zn				
37	6	103-03	PHMS, Phil 1/4-20 x 1.50 Zn				
38	5	117-64	Insert, 1/4-20 Steel Cad Pltg.				
39	33	120-13	Rivet, 3/16 x 3/4 Black				
40	1	608-137	Plug, Push-In				
41	6	112-243	Clamp, Fuel Injection 5/16"				
42	4	120-31	Rivet, 3/16" x 1/4, Open End				
43	1	24 393 52	Fuel Pump, EFI				

9.2 Fuel System & Seat Assembly - EU Avenger Parts Manual



Avenger Parts Manual 9.2 Fuel System & Seat Assembly - EU

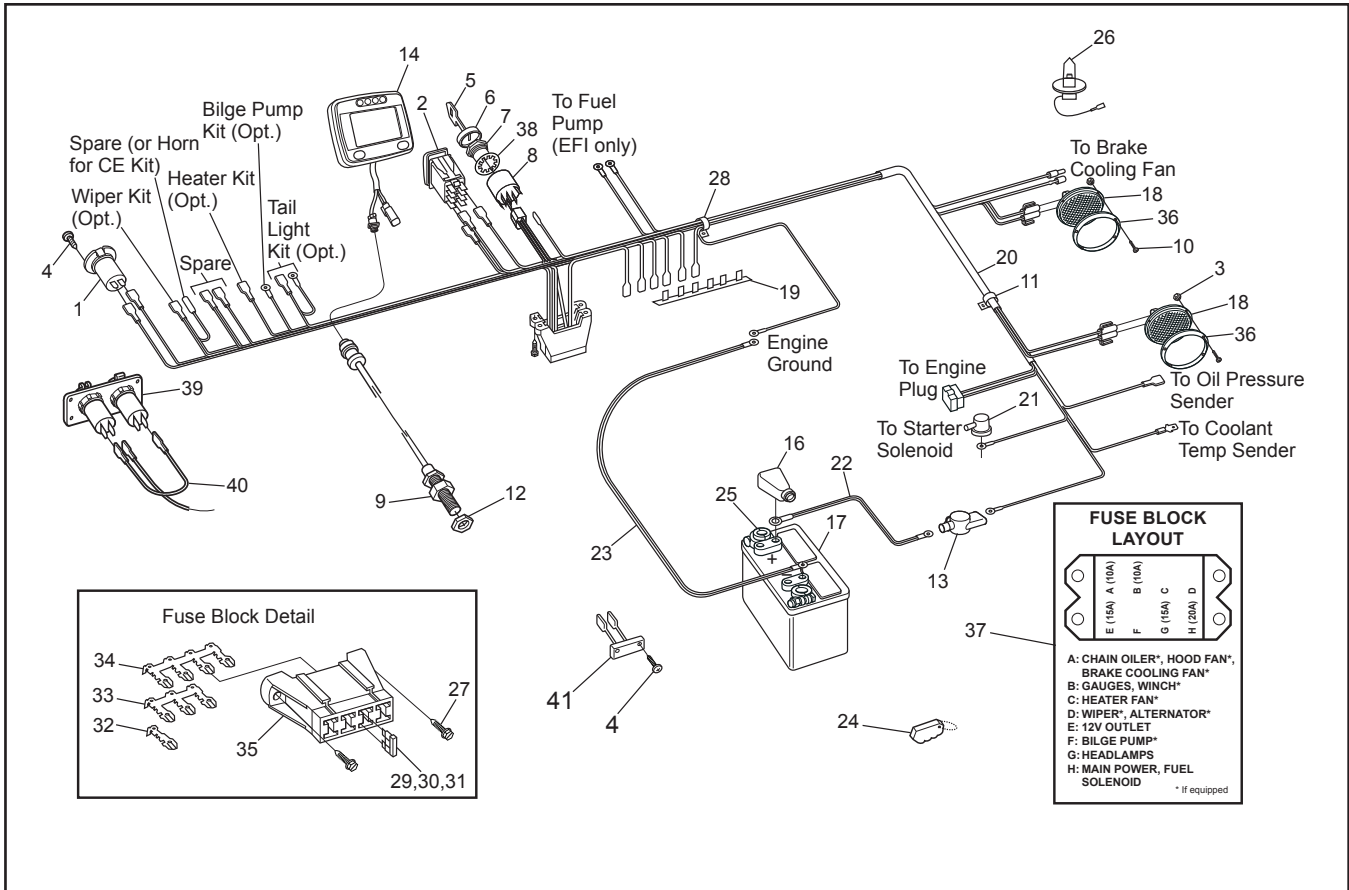
Ref.	Qty.	Part #	Description	Ref.	Qty.	Part #	Description
1	8	108-03	Lockwasher 1/4 Split Ring Zn	44	2	103-97	HHCS 1/4-20x1.25 Gr5 Zn
2	1	608-135	Frame Assembly, Seat HDi	45	1	24 403 16	Regulator, Fuel Pressure
3	4	112-04	HHCS 1/4-20x3/4 Gr2 Zn	46	4	112-78	Clamp, Hose, 9/16
4	1	127-205	Cover, Battery - Euro	47	1	24 050 03	Filter, Fuel Line - EFI - c/w engine
5	1	608-140	Fuel, Fill Neck Assembly	48	2	103-47	HHCS, 10-24 x 1/2
6	2	608-115	Handrail, Susp. Seat	49	1	627-03	Quik Pin 0269167
7	2	608-100	Seat, Suspension	50	1	609-50	Clamp, Rollover Valve
8	1	608-122	Tank, Fuel Single Layer	51	1	608-136	Grommet, Fuel Return
9	4	103-17	HHCS 3/8-16x1.0 Gr5 Zn	52	1	808-133	Reducer, 5/16" to 1/4" Barbed
10	8	108-15	Washer .42x.81x.05 Zn	53	2"	608-69RM	Hose, Fuel - 5/16" ID Carb
11	1	608-118	Toolbox, Suspension Seat	54	1	608-127	Pick-up, Fuel, 5/16 105 Mesh
12	1		See Section 11.0 Electrical System	55	1	126-101RM	Hose, Vent 3/16" ID
13	8	103-08	HHCS 1/4-20x1.0 Zn	56	1	103-25	PHMS, 10-24 x 3/4 Zn
14	24	108-08	Washer .28 x .62 x .07 Zn	57	10	117-29	Locknut, Nylon 3/8-16 Zn
15	8	117-27	Locknut, Nylon 1/4-20 Zn	58	2	608-158	Stiffener, Suspension Seat
16	1	608-150	Seat Mount, Suspension	60	2	117-70	Insert, M10x1.5-13.5mm OD
17	1	608-173	Support Wldt, EU Toolbox	61	2	34-258	Plunger, Ball-Nose Spring
18	1	608-56	Strap, Battery	62	2	608-159	Pivot, Susp. Seat Latch
19	17	120-09	Rivet 3/16x1 - Black	63	2	127-194	Spring, Ext. .360 x 3.0
20	4	112-79	Clamp, Hose, 1/2" - Red	64	1	608-170	Latch Wldt, EU Seat
21	1	608-69	Hose, Fuel 5/16" ID x 7.5' - Carb	65	2	112-171	FHCS 1/4-20 x 3/4 Gr2 Zn
22	9	120-04	Washer .19 x .50 x .08 Zn	66	1	608-160	Seat Frame, Susp. Latched
23	2	100-12	Clamp, Gear 2.25" HF-36	67	4	112-01	HHCS 5/16-18x3/4 Gr5 Zn
24	1	125-94	Hose, Filler	68	4	108-24	Washer .34x.70x.06 Zn
25	10	112-07	RHMS 10-24 x 1.50 Zn	69	2	112-202	HHCS 1/4-20 x 1.75 Gr5 Zn
26	1	126-100	Fuel Cap, Tethered	70	2	103-82	HHCS 3/8-16x1.5 Gr5 Zn
27	1	126-60	Vinyl Strip 1/2" x 1/4"				
28	6'	127-160RM	Tubing, 1/4 ID Clear Plastic				
29	1	609-47	Valve, Rollover				
30	10	108-42	Washer .21 x 1.0 x .06 Zn				
31	14	117-10	Locknut, Nylon #10-24 Zn				
32	2	127-222	Label, Warning - Pinch Point				
33	7	126-93	Clamp, Nylon Wire - 1/2" ID				
34	1	608-138	Return, Fuel Port				
35	1	608-66	Hose, Fuel				
36	1	24 393 52	Fuel Pump, EFI				
37	1	608-127	Pick-up, Fuel, 5/16 105 Mesh				
38	2	117-64	Insert, 1/4-20 Steel Cad Pltg.				
39	4	120-13	Rivet, 3/16 x 3/4 Black				
40	1	608-137	Plug, Push-In				
41	6	112-243	Clamp, Fuel Injection 5/16"				
42	4	112-20	HHCS M8x1,25x25mm Zn				
43	8	108-05	Lockwasher 5/16 Split-Ring Zn				



Ref.	Qty.	Part #	Description
1	1	642-61	Brush Guard, Hella Light Acc.
2	1	642-20HDW	Hardware Kit comprised of:
3	2	103-57	HHCS 5/16-18 x 1.5 Gr5 Zn
4	1	103-76	HHCS 3/8-16 x 1.75 Gr5 Zn
5	3	103-82	HHCS 3/8-16 x 1.5 Gr5 Zn
6	2	108-12	Washer .34 x 1.00 x .06 Zn
7	7	108-18	Washer .40 x 1.37 x .12 Zn
8	2	113-13	Plug, 1-1/4" Tube- Avg Brush Guard
9	2	117-21	Locknut, Nylon 5/16-18 Zn
10	4	117-29	Locknut, Nylon 3/8-16 Zn
11	1	613-144	Horn, Hella
12	2	613-142	Turn Signal and Marker, Hella
13	1	103-06	HHCS 5/16-18x1.0 Gr5 Zn
14	2	613-169	Bulb, EU Tail, Turn Signal
15	2	613-170	Bulb, EU Fr Marker
16	7	103-25	PHMS 10-24x3/4 Zn
17	6	117-10	Locknut, 10-24 N/I Zn
18	4	120-05	Washer .19x.50x.04 Zn
19	5	108-05	Lockwasher 5/16 Split-Ring Zn
20	2	613-168	Bulb, EU Headlight
21	2	613-172	Socket, EU Headlight
22	2	613-141	Headlight High Low, M133 Hella
23	1	108-25	Washer .31x.75x.06 Zn
24	1	117-21	Locknut, Nylon 5/16-18 Zn
25	1	622-124	Pin Ass'y, Front Hitch EU
26	1	104-11	Pin, Lynch - Ring
27	1	622-125	Lanyard, Front Hitch EU
28	2	112-91	HHCS M10x1,5x150mm Zn
29	1	622-120	Front Hitch, Ass'y EU
30	4	108-23	Washer .42x.81x.06 Gr8 Zn Di-C
31	1	622-112	Receiver Ass'y, Front Winch
32	2	117-60	Locknut, Nyloc M10x1.5mm Zn 8
33	2	127-132	Grommet, Rubber - 1/2" ID
34	1	125-84	Grommet, Rubber
35	1	622-81	Hoop Ass'y, Winch - Avenger
36	1	622-83	Bracket, Body Support - Winch
37	1	622-99	Hoodframe Support Bracket, Winch
38	4	103-82	HHCS 3/8-16 x 1.5 Gr5 Zn
39	1	108-18	Washer .40x1.37x.12 Zn
40	9	108-47	Washer .39x.94x.13 Zn Di-Chro
41	4	112-01	HHCS 5/16-18x3/4 Gr5 Zn
42	3	112-102	Screw, Self Drill 12-14x3/4"
43	5	117-29	Locknut, Nylon 3/8-16 Zn
44	4	117-03	Nut, Fin Hex 5/16-18 Zn
45	1	103-17	HHCS 3/8-16 x 1.0 Gr5 Zn

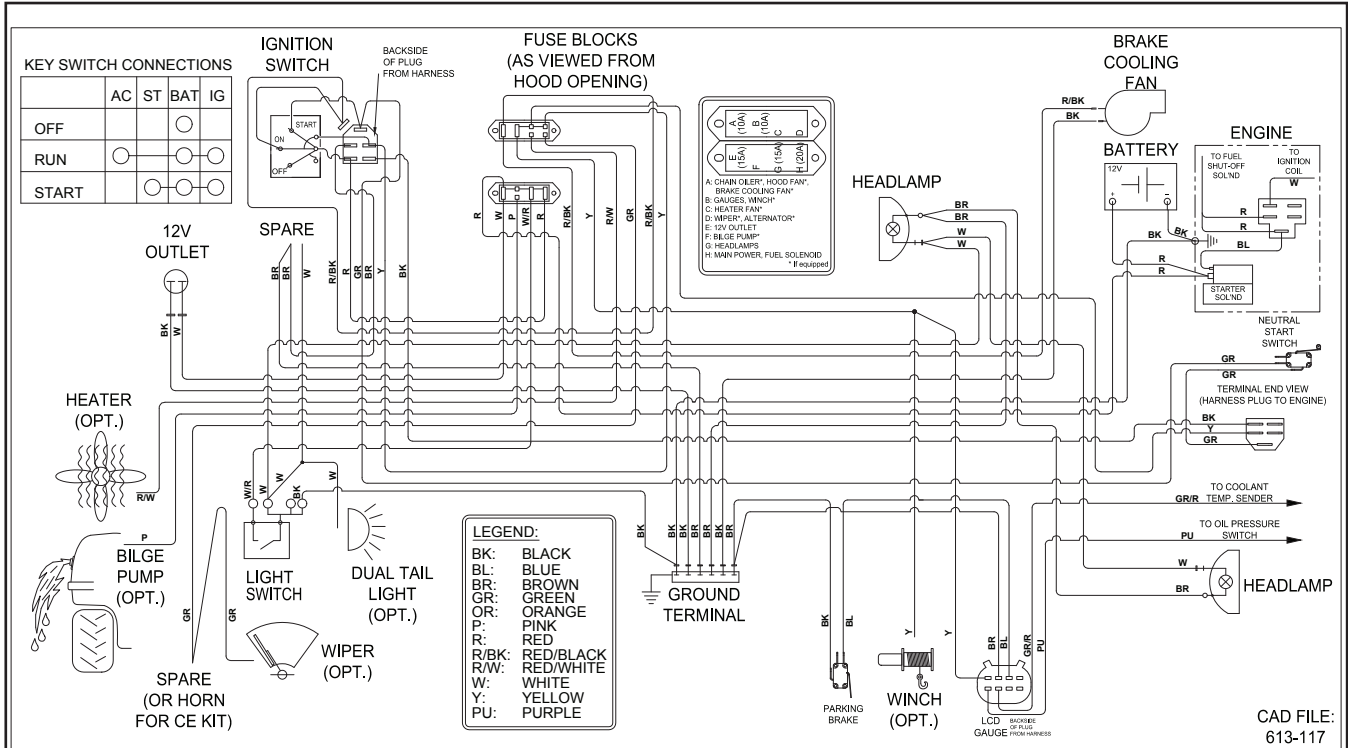
11.1 Electrical System

Avenger Parts Manual

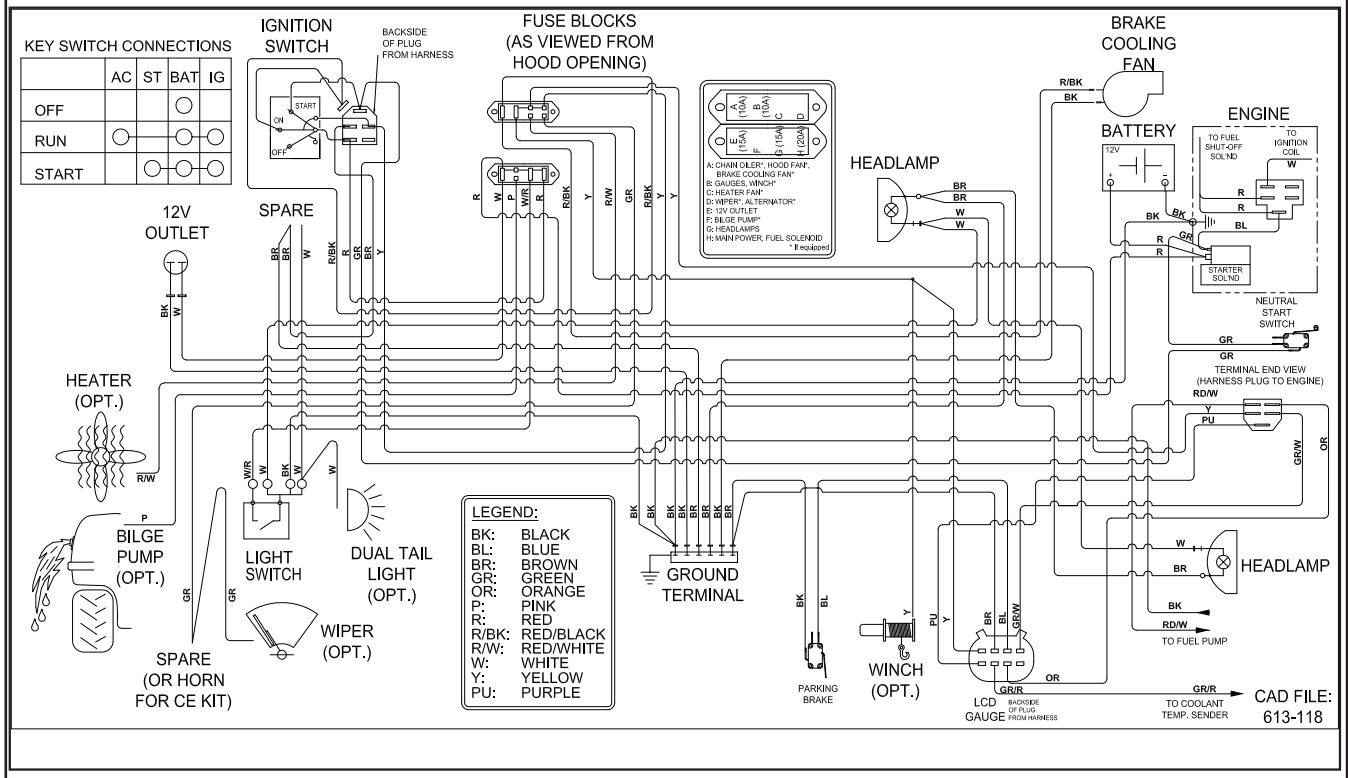


Ref.	Qty.	Part #	Description
1	1	613-90	Outlet, 12 Volt DC
2	1	613-153	Switch, Light
3	8	117-93	Nut, Speed #10
4	10	112-139	#4 Phil Drive Oval Head Screw, Black
5	2	127-108	Key, Molded
6	1	127-107	Bezel - Cover, Nut
7	1	127-106	Nut, Flanged - Plastic
8	1	127-105	Switch - Ignition
9	1	613-226	Sensor, Speedo Pickup 1 Pc.
10	8	112-198	T/S Pan Hd Phil #10 x 1 Blk.
11	4	127-24	Clamp, Nylon - 1" ID
12	1	117-87	Nut, M12 x 1.25, Zn
13	1	613-124	Insulator, 2 Way w/cap, Red
14	1	613-130	Gauge, LCD
16	1	127-55	Cap, Battery Terminal - Red
17	1	127-54	Battery, Exide 45-60
18	1	613-161	Battery, Optima - Argo (Opt.)
18	2	613-159	Headlight 37.5
19	2	613-37	Terminal Strip, Ground
20	1	613-117	Wire Harness, Kohler Carb
20a	1	613-118	Wire Harness, Kohler 31HP EFI

Ref.	Qty.	Part #	Description
21	1	613-46	Insulator, Terminal (2 ga.)
22	1	613-94	Wire, Positive Battery
23	1	613-95	Wire, Negative Battery
24	1	681-00	FOB, Key - Floating
25	2	127-56	Terminal, Battery Post
26	2	127-46	Bulb, Headlight - Halogen 37W
27	2	112-51	Screw, IHWH T/C #10-24 x 5/8
28	4	126-93	Clamp, Nylon Wire - 1/2" ID
29	1	118-52	Fuse, 10A 2 Prong (AT010)
30	2	118-49	Fuse, 15A 2 Prong (AT015)
31	1	118-53	Fuse, 20A 2 Prong (AT020)
32	9	118-62	Terminal - Fuse, single
33	1	118-63	Terminal - Fuse, triple
34	1	118-61	Terminal - Fuse, quad
35	2	118-60	Block - Fuse, 8 position (4 fuse)
36	2	613-152	Bezel, Headlamp
37	1	127-298	Label, Fuse Panel - Argo
38	1	114-26	Lockwasher, 5/8 Int. Toot
39	1	118-80	Outlet, 12V & Twin USB (if equip.)
40	1	613-231	Wire Harness, USB (if equip.)
41	3	613-99	Light, Shifter Illumination

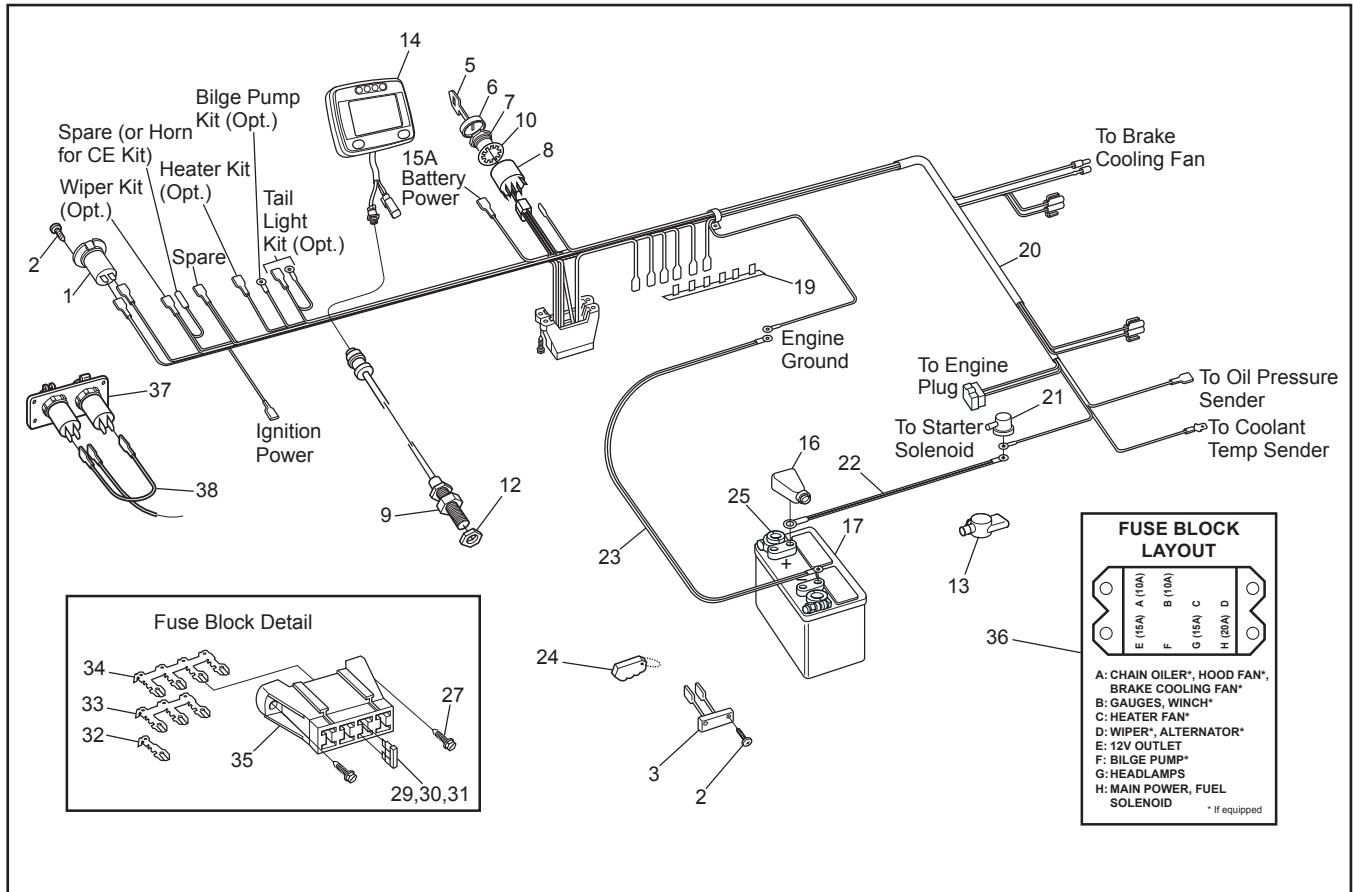


EFI Models

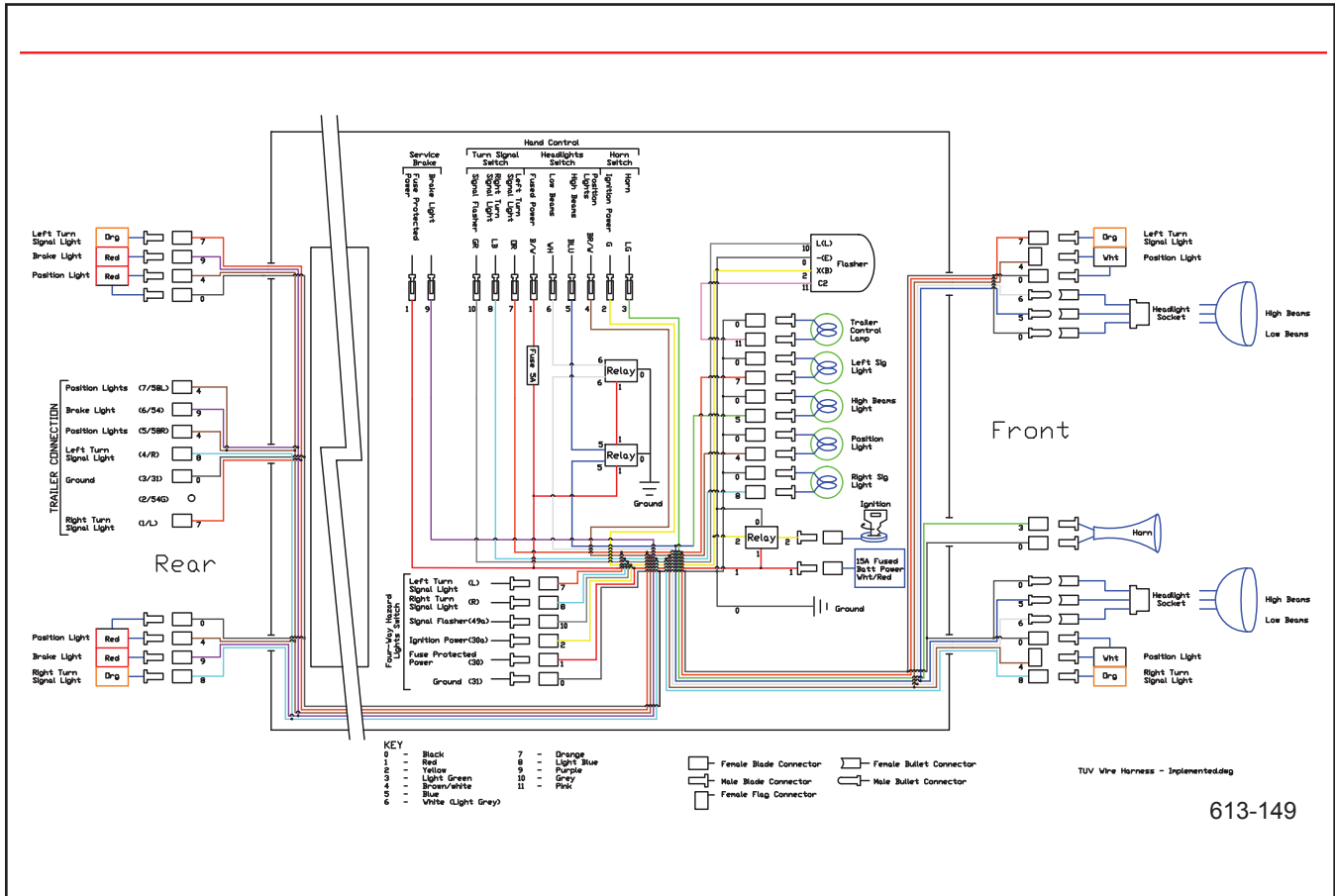


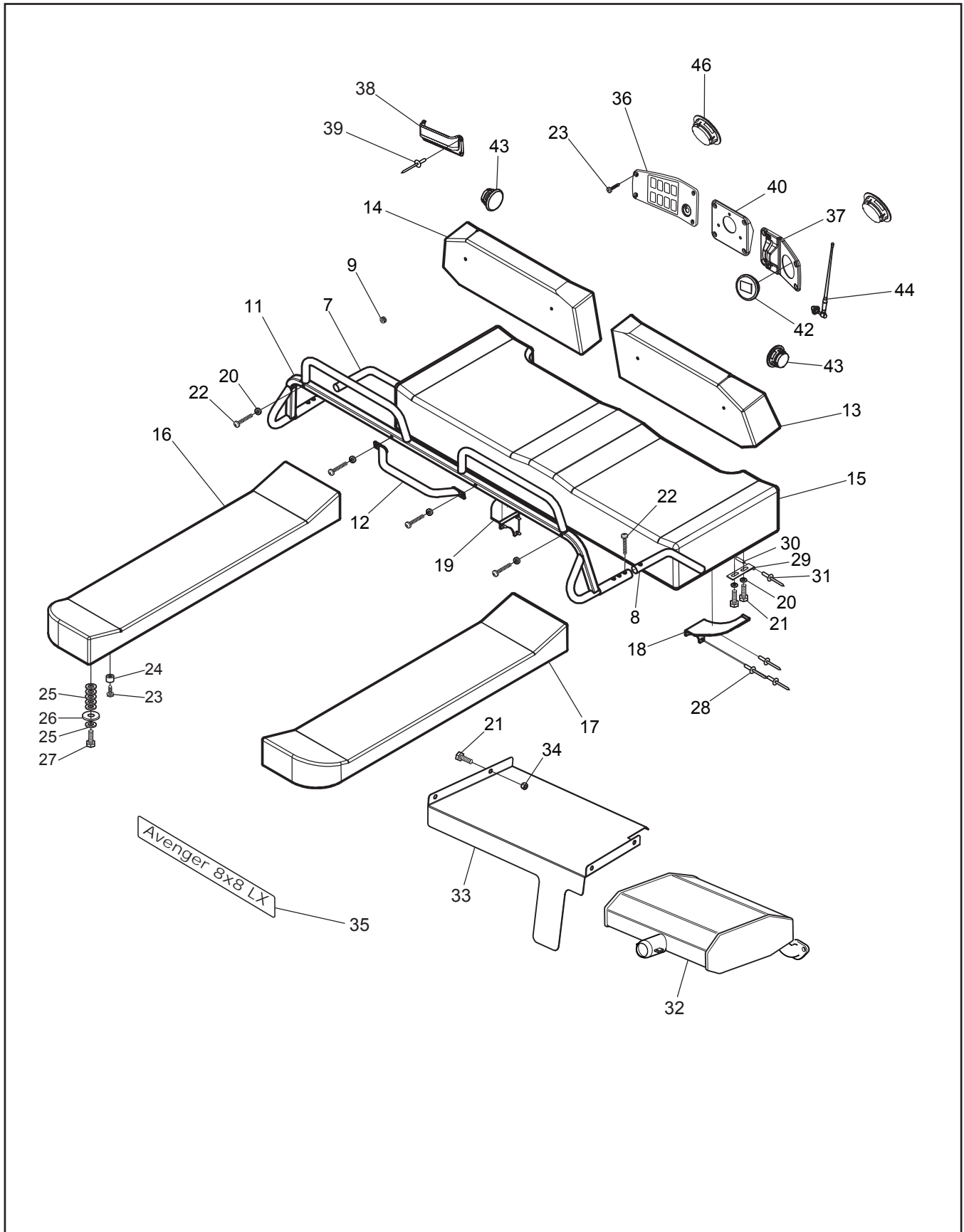
11.2 Electrical System - EU

Avenger Parts Manual



Ref.	Qty.	Part #	Description	Ref.	Qty.	Part #	Description
1	1	613-90	Outlet, 12 Volt DC	25	2	127-56	Terminal, Battery Post
2	10	112-139	#4 Phil Drive Oval Head Screw, Black	27	2	112-51	Screw, IHWH T/C #10-24 x 5/8
3	3	613-99	Light, Shifter Illumination	29	1	118-52	Fuse, 10A 2 Prong (AT010)
5	2	127-108	Key, Molded	30	2	118-49	Fuse, 15A 2 Prong (AT015)
6	1	127-107	Bezel - Cover, Nut	31	1	118-53	Fuse, 20A 2 Prong (AT020)
7	1	127-106	Nut, Flanged - Plastic	32	9	118-62	Terminal - Fuse, single
8	1	127-105	Switch - Ignition	33	1	118-63	Terminal - Fuse, triple
9	1	613-226	Sensor, Speedo Pickup 1 Pc.	34	1	118-61	Terminal - Fuse, quad
10	1	114-26	Lockwasher, 5/8 Int. Tooth	35	2	118-60	Block - Fuse, 8 position (4 fuse)
12	1	117-87	Nut, M12 x 1.25, Zn	36	1	127-298	Label, Fuse Panel - Argo
13	1	613-124	Insulator, 2 Way w/cap, Red	37	1	118-80	Outlet, 12V & Twin USB (if equip.)
14	1	613-130	Gauge, LCD	38	1	613-231	Wire Harness, USB (if equip.)
16	1	127-55	Cap, Battery Terminal - Red				
17	1	127-54	Battery, Exide 45-60				
	1	613-161	Battery, Optima - Argo (Opt.)				
19	2	613-37	Terminal Strip, Ground				
20	1	613-118	Wire Harness, Kohler 31HP				
21	1	613-46	Insulator, Terminal (2 ga.)				
22	1	613-94	Wire, Positive Battery				
23	1	613-95	Wire, Negative Battery				
24	1	681-00	FOB, Key - Floating				





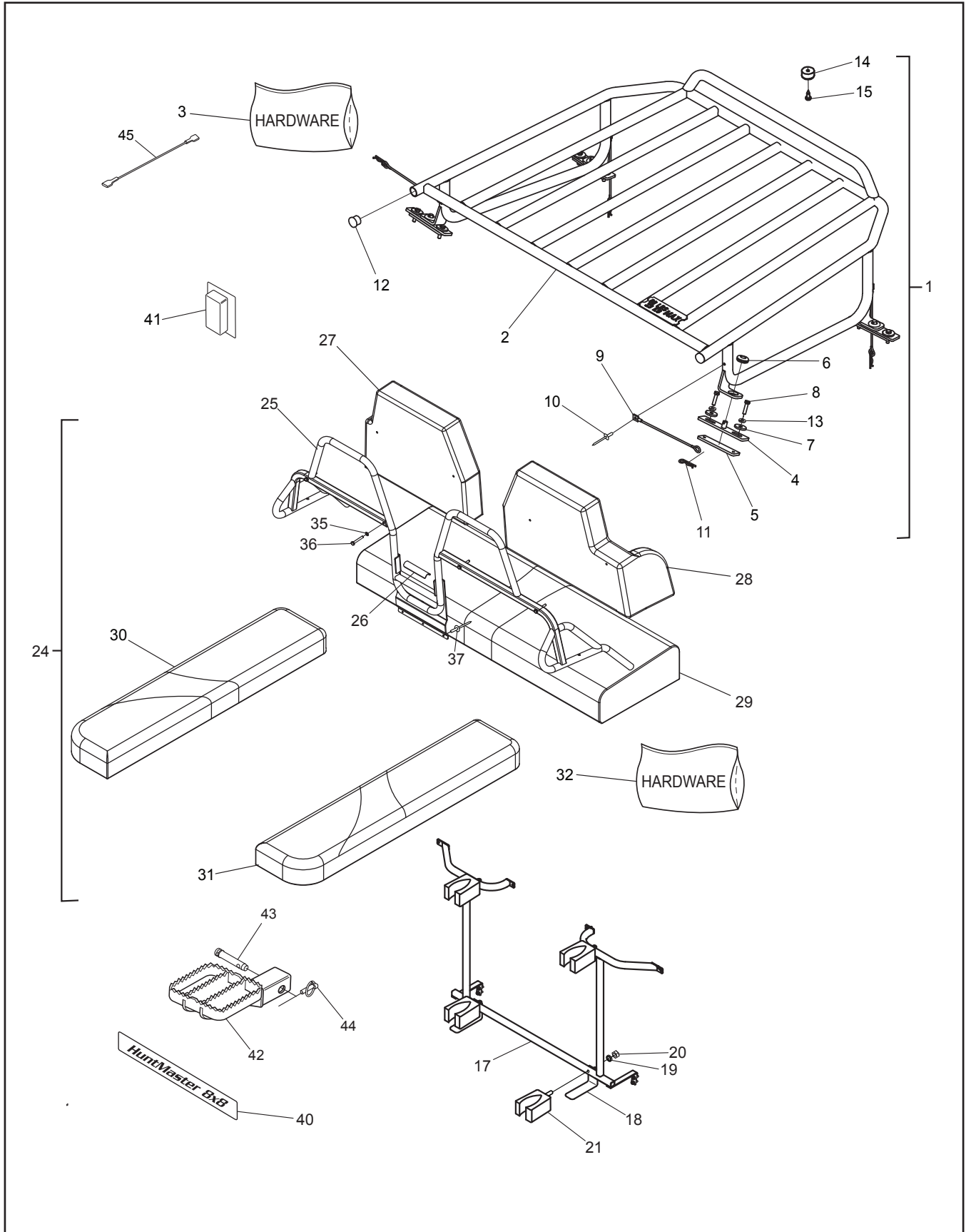
Avenger Parts Manual

12.0 LX Model

Ref.	Qty.	Part #	Description	Ref.	Qty.	Part #	Description
7	1	608-191	Tube, L.F. Backrest, Argo	37	1	601-132	Panel, Dash, Right, CF, HDi
8	1	608-192	Tube, R.F. Backrest, Argo	38	1	609-51	Glove Box, Firewall, CF, HDi
9	4	100-141	Round Plug 1/4"	39	4	120-15	Rivet - 1/8 x 7/16
10	1	608-190	Acc, Prem. Seating, LX	40	1	601-133	Panel, Dash, Center, CF, HDi
11	1	608-186	Wldt, Adj. Backrest, Argo	41	1	848-248	Acc, Stereo, LX
12	1	608-187	Wldt, Rear Grab Handle, Argo	42	1	613-254	Stereo Assembly, Head Unit, LX
13	1	608-180	Seat, Prem. Back Pad Assy, RH	43	4	613-251	Speaker, 3" Marine, LX
14	1	608-181	Seat, Prem. Back Pad Assy, LH	44	1	613-252	Antenna, Radio, LX
15	1	608-182	Seat, Prem. Bench	45	1	613-253	Wire Harness, Stereo, LX
16	1	608-183	Seat, Prem. Rear, LH				
17	1	608-184	Seat, Prem. Rear, RH				
18	1	608-195	Wldt, RH Seat Bracket, LX				
19	1	608-197	Wldt, LH Seat Bracket, LX				
20	8	108-03	Lockwasher 1/4 Split Ring Zn				
21	8	112-04	HHCS 1/4-20x3/4 Gr2 Zn				
22	6	103-03	PHMS, Phil 1/4-20 x 1.50 Zn				
23	16	103-48	T/S Pan HD PHIL #10 x 5/8				
24	4	126-79	Bumper, Plastic - Black				
25	24	108-25	Washer .31 x .75 x .06 Zn				
26	4	603-15	Washer, Plastic 5/16 Hole				
27	4	103-08	HHCS 1/4-20 x 1.0 Zn				
28	6	120-09	Rivet -3/16 x 1.0 Black				
29	2	608-81	Hinge, Seat, Bolted				
30	2	104-43	Pin, 3/16" x 1-1/8"				
31	4	120-31	Rivet, 3/16" x 1/4, Open End				
32	1	607-140	Muffler, Avg 750				
33	1	607-168	Shield, Muffler Heat Avg				
34	4	117-20	Nut, Fin Hex 1/4-20 Zn				
35	1	850-386	Nameplate, Avenger LX				
36	1	601-131	Panel, Dash, Left, CF, HDi				

Note: LX trim package also includes the following standard Argo accessories:

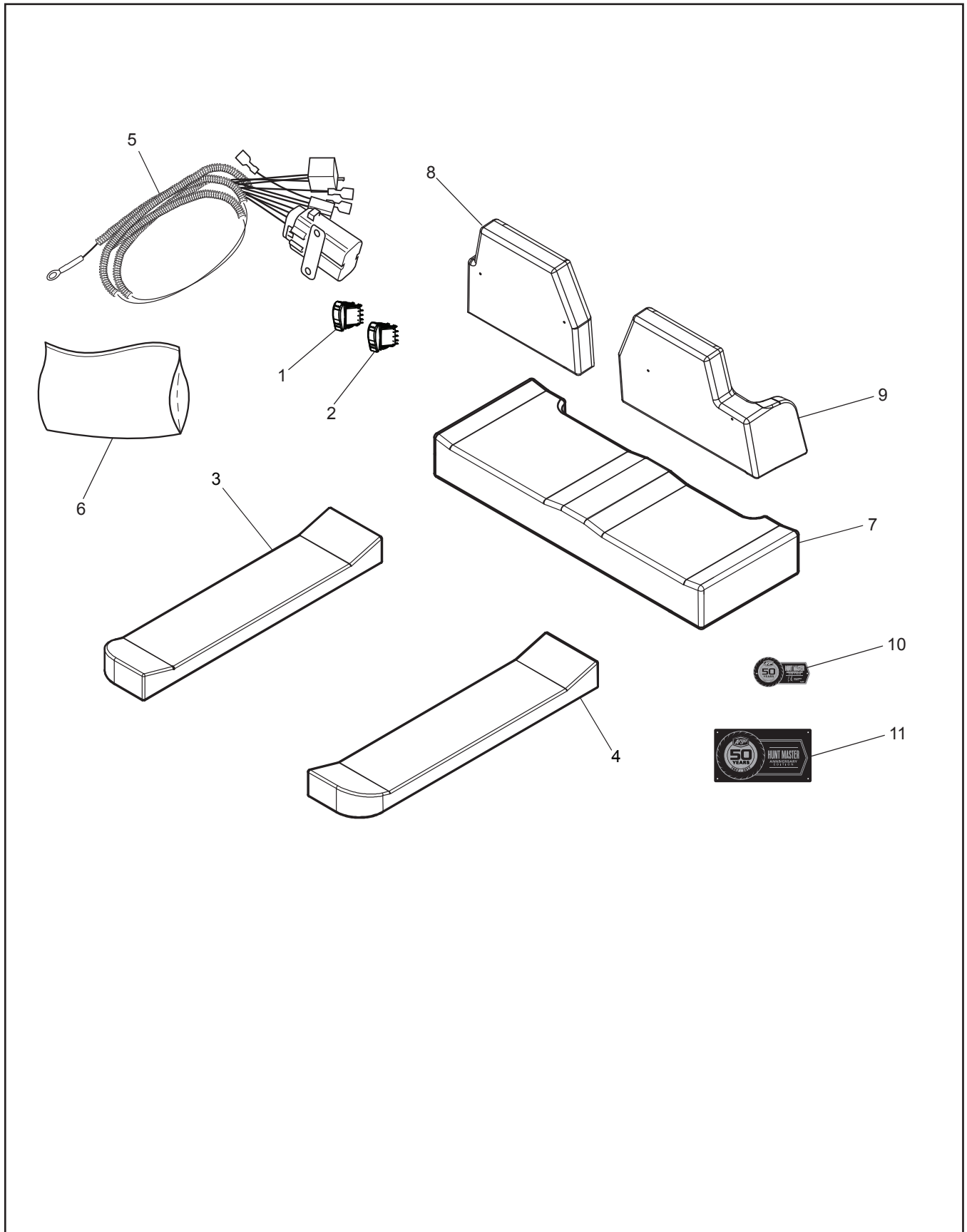
- 1 839-30 Handrail Ass'y-Avenger
- 1 622-142 Winch, Pro Vantage 3500, Warn
- 2 848-173 Entry Step Accessory, Argo 8x8
- 1 638-40 Bilge Pump
- Bead Lock Wheel Option (see Section 15.0)

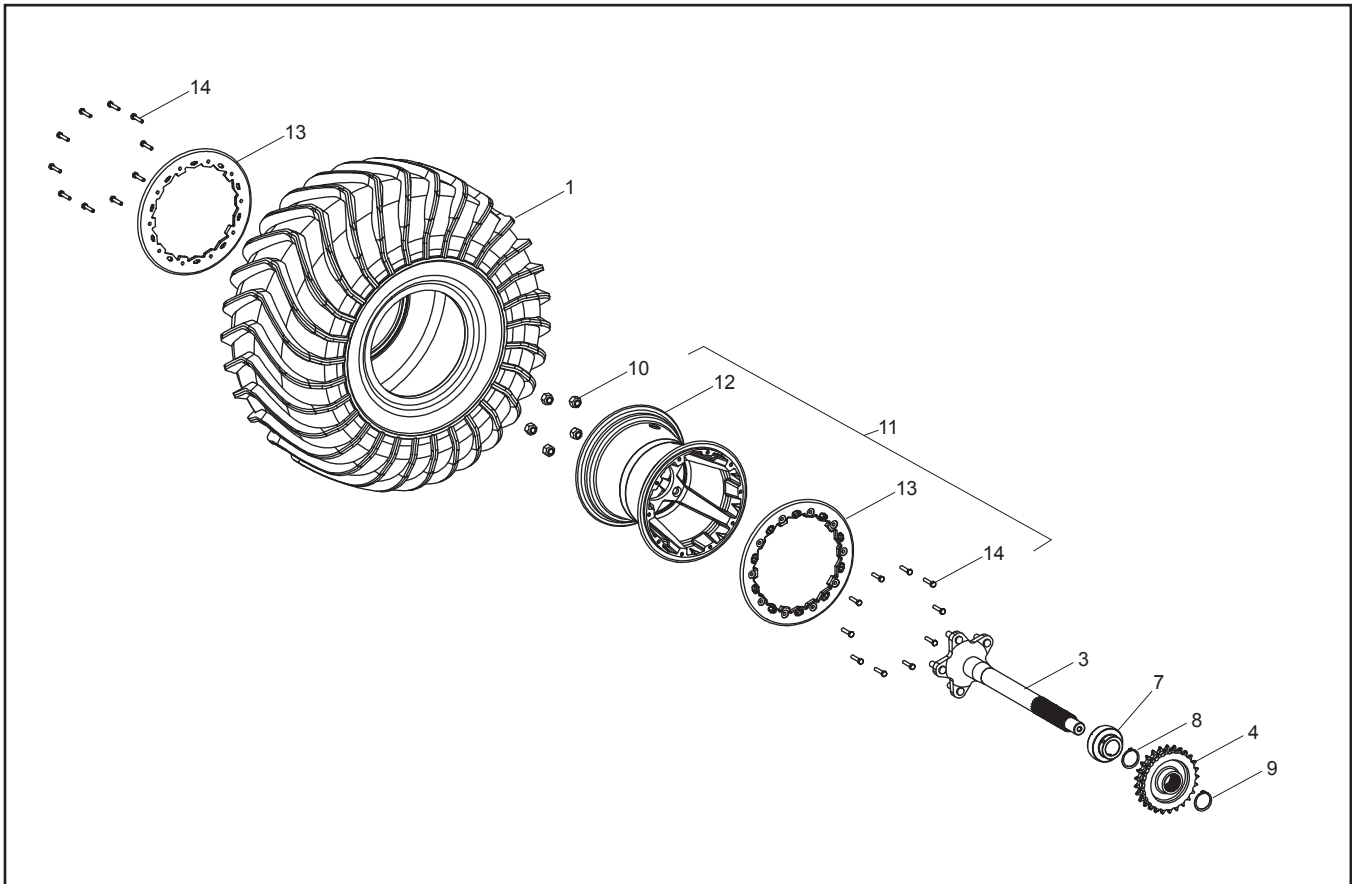


Avenger Parts Manual

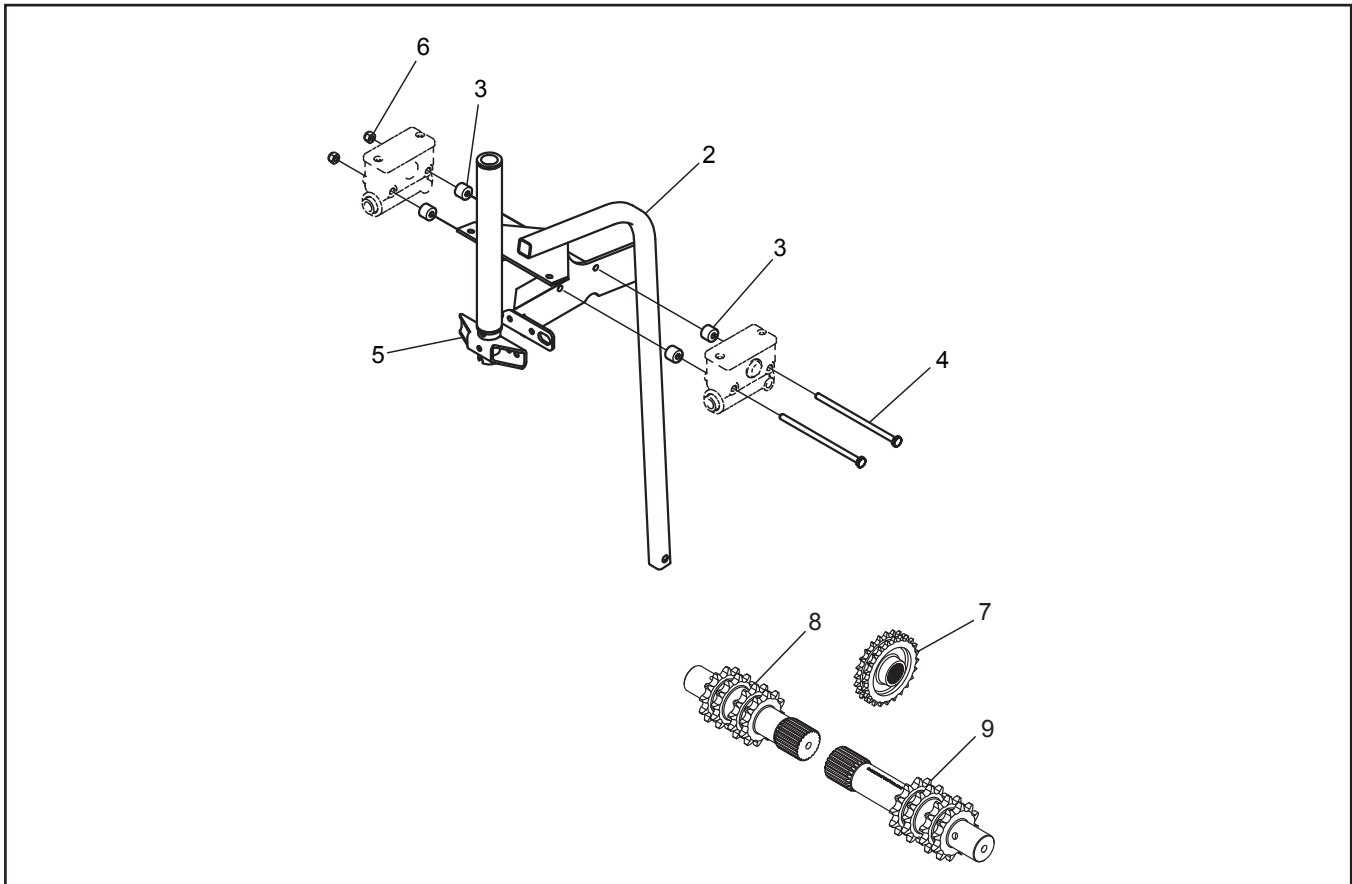
13.0 Hunt Master Model

Ref.	Qty.	Part #	Description	Ref.	Qty.	Part #	Description
1	1	848-273	Acc, Hood Rack, HDi (incl. Ref. 2-15)	32	1	848-266HDW	Hardware, Hunt Master Seating (incl. Ref. 35-37)
2	1	848-271	Wldt, Hood Rack, HDi	35	4	108-03	Lockwasher 1/4 Split Ring Zn
3	1	848-273HDW	Acc, Hood Rack, Argo, Hardware (incl. Ref. 6-15)	36	4	112-297	HHCS 1/4-20 x 1.75 Full Thread
4	4	848-270	Wldt, Hood Rack Mount	37	3	120-13	Rivet - 3/16 x 3/4 Black
5	4	848-272	Plate, Backing, Hood Rack	40	1	850-377	Nameplate, Hunt Master
6	4	127-132	Grommet, Rubber - 1/2" ID	1	1	850-378	Nameplate, Hunt Master Z
7	8	108-104	Washer, 0.28ID x 1.0OD x 0.13, Blk	1	1	850-379	Nameplate, Hunt Master X
8	8	112-212	HHCS M6x1x25mm, Black Zn	1	1	850-380	Nameplate, Hunt Master ZX
9	4	104-80	Lanyard, 6" Loop, W/Tab	41	2	613-239	Heated Hand Grips
10	4	120-13	Rivet, 3/16" x 3/4", Black	42	1	848-275	Wldt. Rear Step, Argo
11	4	100-16	Clip, Hitch Pin 1.625 Zn	43	1	104-13	Pin, Top Link
12	2	639-25	Plug, End - Black	44	1	104-11	Pin, Top Lynch Locking Ring
13	8	108-105	Lockwasher, 1/4 Split, Blk Zn	45	1	613-258	Wire, Fog Light Acc.
14	2	126-102	Bumper, Recessed Hole				
15	2	103-48	T/S Pan Hd Phil #10x5/8 A Blk				
16	1	848-254	Acc, Gun Rack, Argo				
17	1	848-253	Wldt, Gun Rack, Argo				
18	2	848-206	Butt Plate				
19	4	642-74	Lockwasher 5/16 Split Blk Zn				
20	4	642-75	Nut, Acorn 5/16-18 Blk Zn				
21	4	848-207	Sure Grip Head W/Velcro				
24	1	848-266	Hunt Master Seating (incl. Ref. 25-38)				
25	1	848-282	Wldt, Argo, Step Through Backrest				
26	1	848-281	Tape, Non-Slip Huntmaster Step				
27	1	850-361	Seat, Front Backrest, LH, Hunt				
28	1	850-362	Seat, Front Backrest, RH, Hunt				
29	1	850-319	Seat, Front Bench, Wilder.				
30	1	850-357	Seat, Rear LH - 8x8, Scout				
31	1	850-358	Seat, Rear RH - 8x8, Scout				
				<p>Note: Hunt Master trim package also includes the following standard Argo accessories:</p> <ul style="list-style-type: none"> 1 839-30 Handrail Ass'y-Avenger 1 642-49 Brushguard & Hardware-Aven/HDi 1 622-142 Winch, Pro Vantage 3500, Warn 2 848-173 Entry Step Accessory, Argo 8x8 1 638-40 Bilge Pump 1 648-92 Aux. Lights 1 864-01 Brake Cooling Kit 1 624-26 Brake Light Kit 1 850-54 Alternator Kit 1 801-202 Bumper, Vinyl - 8x8 Brown 			
				<p>Bead Lock Wheel Option (see Section 15.0)</p> <p>LS Transmission (see Section 16.0)</p>			



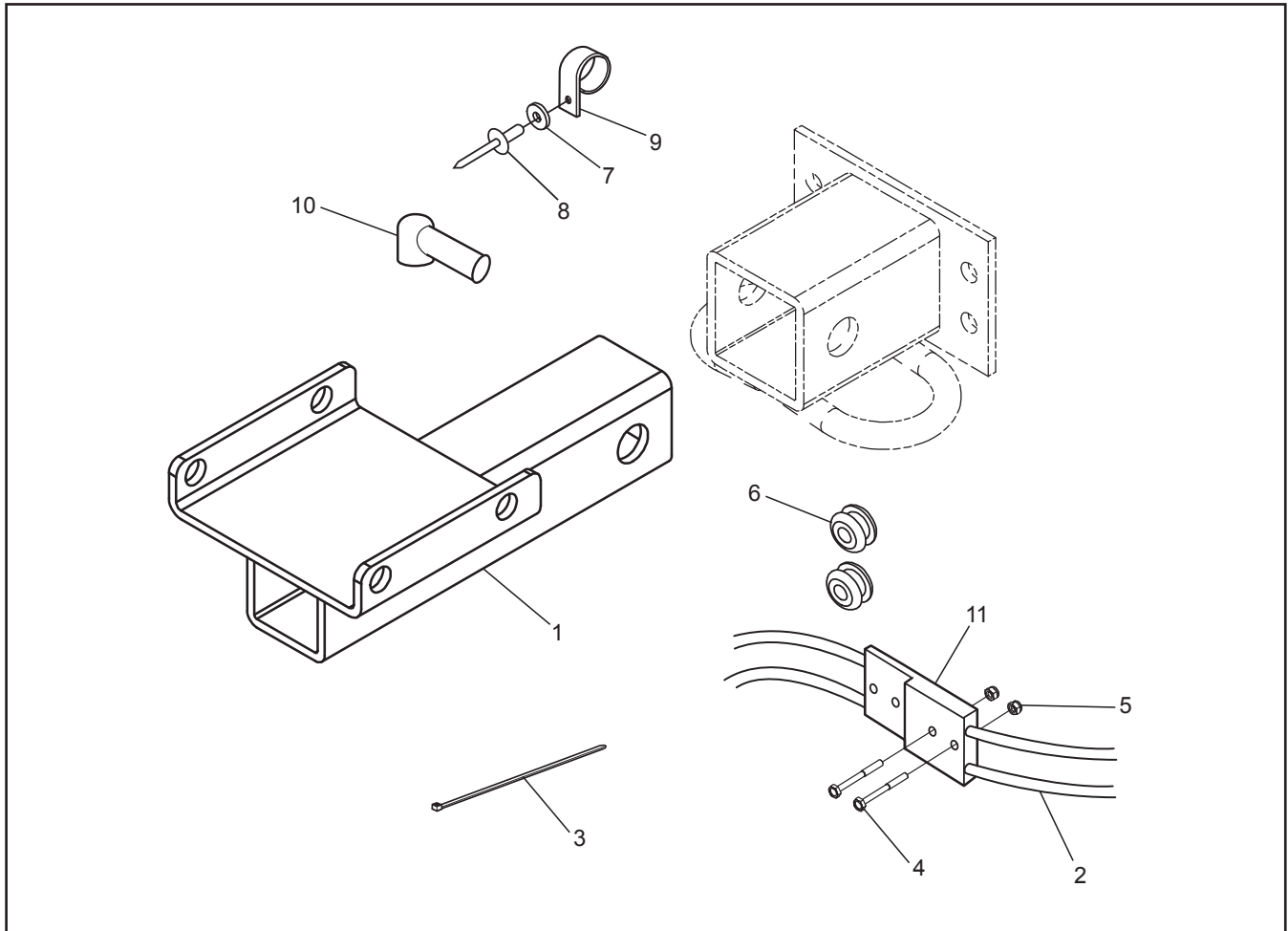


Ref.	Qty.	Part #	Description
1	8	127-182	Tire, Argo 25
2	4	810-122	Asm, Axle Forged - FR/RR
3	4	810-123	Asm, Axle Forged - Mid
4	4	805-142	Sprocket, D50x25T-16/32 Int
5	8	805-143	Sprocket, S60x19T-16/32 Int
7	8	101-123	Bearing, Ball -1.375 x 72mm
8	8	106-15	Retaining Ring SH-0137-PA
9	4	106-34	Retaining Ring, E-Style 1.375"
10	40	117-117	Nut, Wheel 7/16-20 Chrome
11	8	127-250	Rim Asy - Dual Bead Lock Alum (incl. Ref. 12-14)
12	1	127-251	Rim, Offset Dual Bead Lock
13	2	127-252	Rim Ring - Dual Bead Lock Clamping
14	20	112-218	HHCS Washer HD M6x1,0x30mm Zn

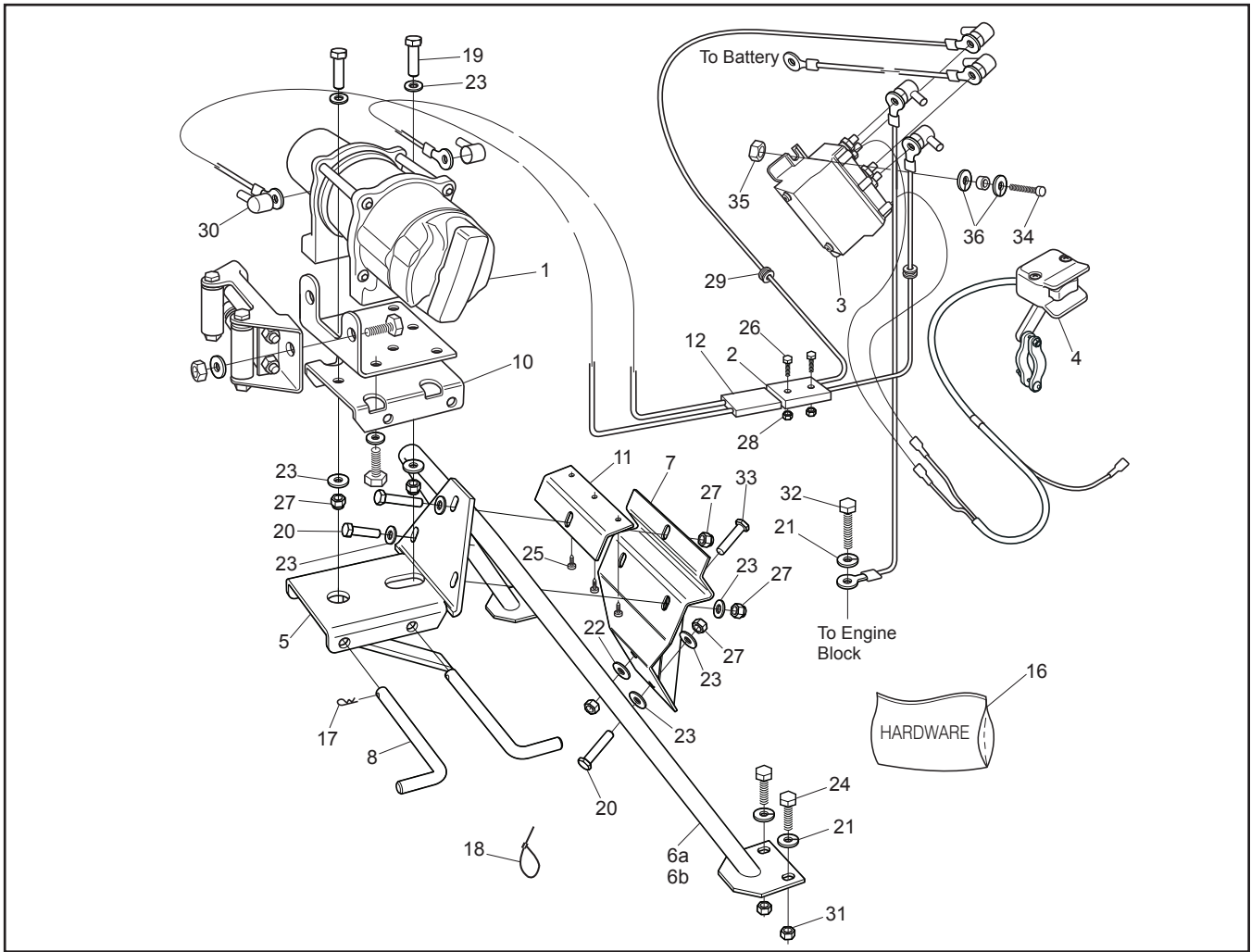


Ref.	Qty.	Part #	Description
2	1	612-142	Wldt, Steering Column, LS
3	4	615-12	Bushing, Lock - 1/4"ID x 5/8"OD
4	2	112-300	HHCS 1/4-20x5.0 Gr5 Zn
5	1	612-141	Wldt, Steering Arm
6	2	117-27	Locknut, Nylon 1/4-20 Zn
7	4	805-144	Sprocket, D50x24T-16/32 Int
8	1	810-115-HS	Shaft, Idler, Spline, Shrt 12T
9	1	810-116-HS	Shaft, Idler, Spline, Long 12T

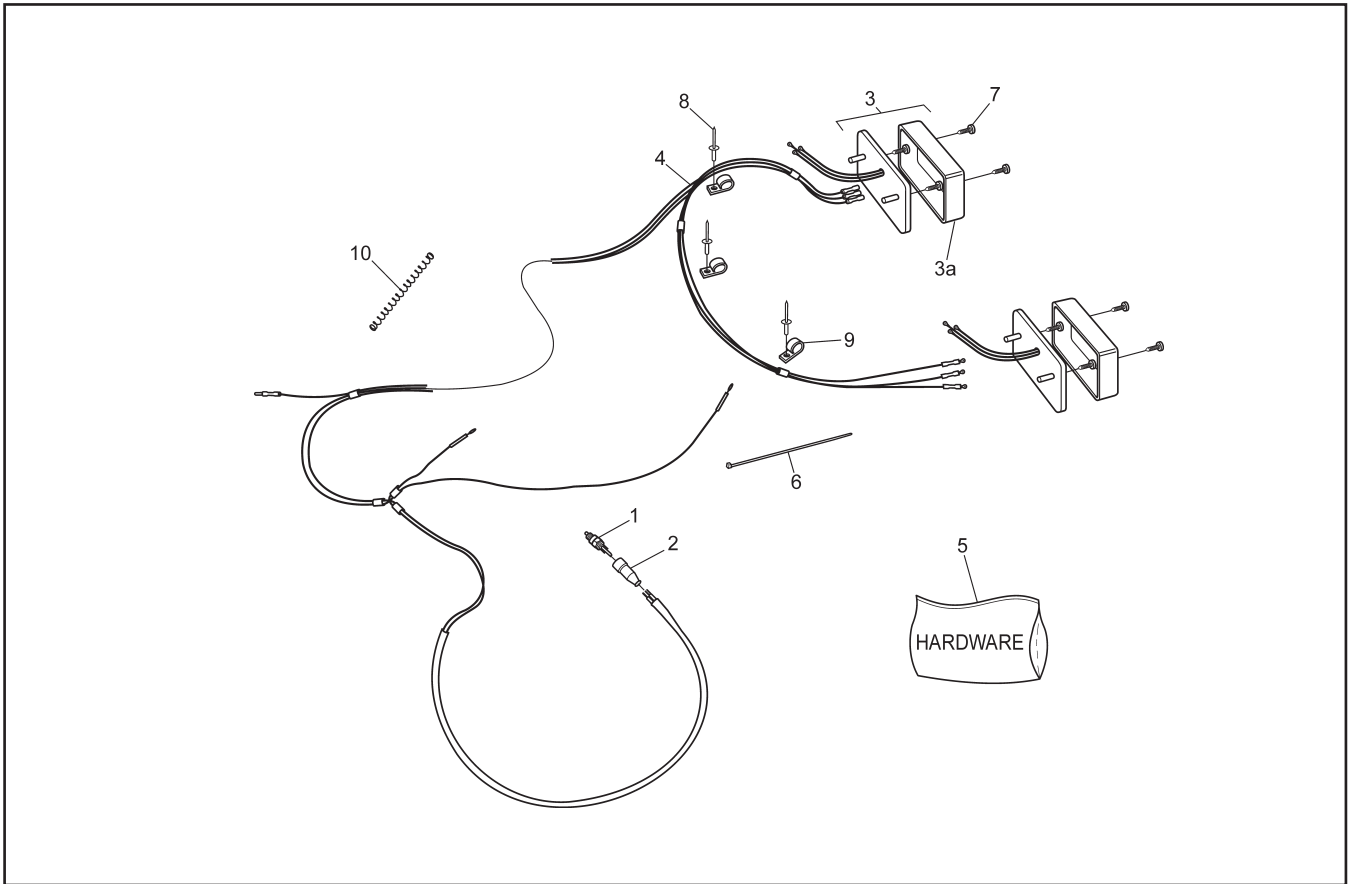
Note: LS option also includes 864-01 Brake Cooling Kit



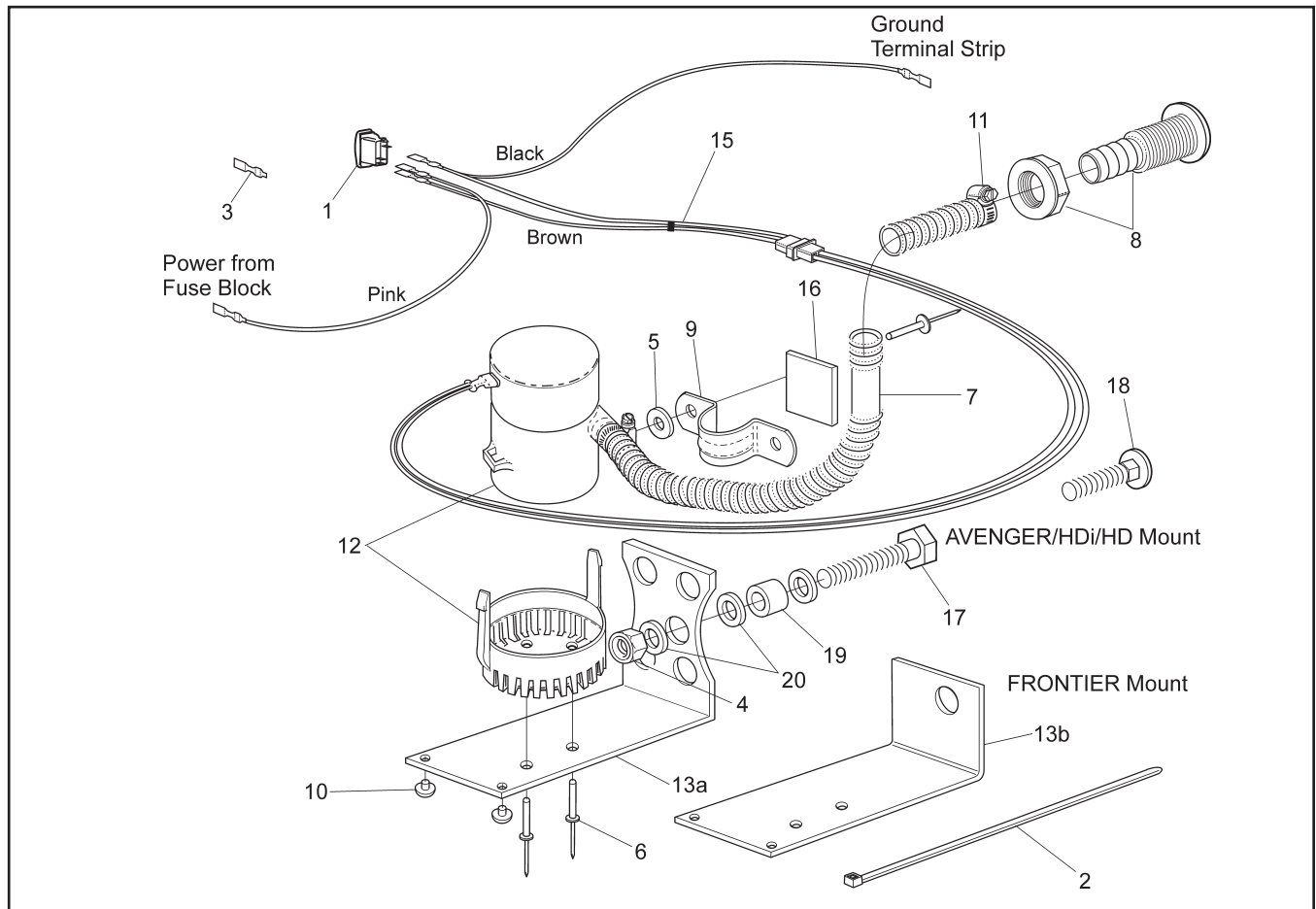
Ref.	Qty.	Part #	Description
1	1	622-93	Receiver, Rear Winch Avg
2	1	622-116	Wire Harness, Receiver Winch
3	2	100-64	Tie Wrap - 5.5" - Black
4	2	112-126	HHCS M3x0,5x30 CL 8.8 Zn
5	2	117-78	Locknut, Nylon M3x 0.5" Zn
6	2	125-84	Grommet, Rubber
7	4	120-04	Washer .19x.50x.08 Zn
8	4	120-09	Rivet - 3/16 x 1.0 Black
9	4	127-287	Clamp, Nylon Wire - 3/4" ID
10	2	613-46	Terminal, Insulator
11	1	118-72	Connector Housing, Anderson



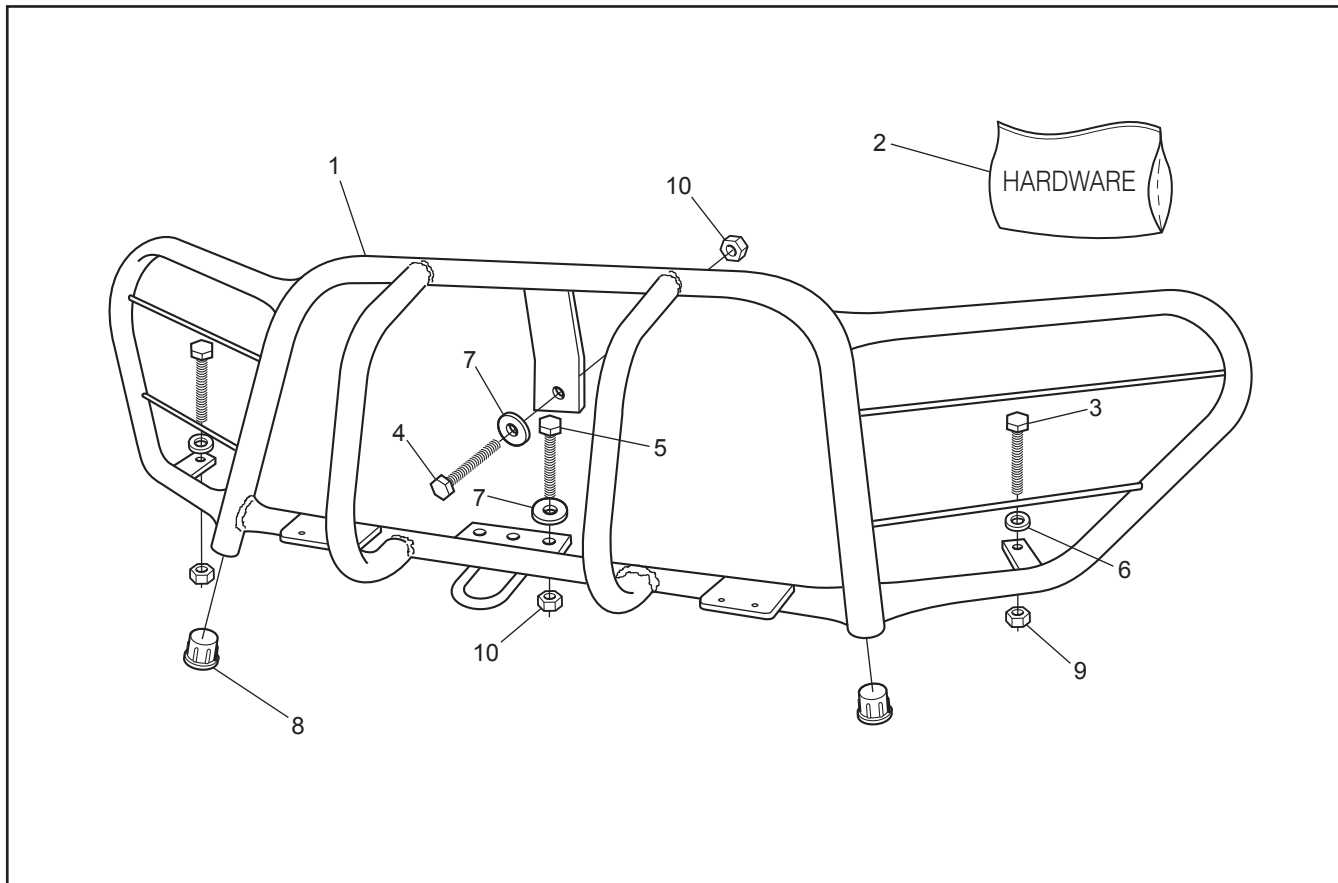
Ref.	Qty.	Part #	Description	Ref.	Qty.	Part #	Description
1	1	622-138	Winch, Pro Vantage 3500, Warn includes Ref. 2,3,4,5	18	4	100-64	Tie Wrap - 5.5" Black
2	1	622-109	Wire Harness, Winch	19	2	103-34	HHCS 3/8-16 x 1.25 Gr5 Zn
3	1	622-141	Solenoid, Winch - Warn	20	4	103-82	HHCS 3/8-16 x 1.5 Gr5 Zn
4	1	622-139	Switch, Winch Toggle- Warn	21	5	108-05	Lockwasher 5/16 Split Ring Zn
5	1	622-112	Receiver Ass'y, Front Winch	22	1	108-18	Washer .40 x 1.37 x .12 Zn
6a	1	622-81	Hoop Ass'y, Winch - 8x8	23	12	108-47	Washer .39x.94x.13 Zn Di-Chro
6b	1	622-101	Hoop Ass'y, Winch - 6x6	24	4	112-01	HHCS 5/16-18x3/4 Gr5 Zn
7	1	622-83	Bracket, Body Support - Winch	25	3	112-102	Screw, Self Drill 12-14 x3/4"
8	2	622-85	Release Pin, Receiver Winch	26	2	112-126	HHCS M3 x 0,5 x 30 Cl 8.8 Zn
10	1	622-111	Plate, Winch Mount	27	7	117-29	Locknut, Nylon 3/8-16 Zn
11	1	622-99	Hoodframe Support Bracket, Winch	28	2	117-78	Locknut, Nylon M3 x 0.5" Zn
12	2	810-107	Connector, Two Wire - 6 Gauge	29	2	125-84	Grommet, Rubber
13	1	118-02	Terminal, Male - #76-1251	30	5	613-45	Insulator, terminal 6 Ga.
14	1	118-03	Terminal, Female - #76-1289	31	4	117-03	Nut, Fin Hex 5/16-18 Zn
16	1	622-142HDW	Hardware Kit - includes the following:	32	1	112-20	HHCS M8 x 1,25 x 25mm Zn
17	2	100-16	Clip, Hitch Pin 1.625 Zn	33	1	103-17	HHCS 3/8-16 x 1.0 Gr5 Zn
				34	2	112-07	RHMS 10-24x1.50 Zn
				35	2	117-10	Locknut, 10-24 N/I Zn
				36	4	120-05	Washer .19x.50x.04 Zn



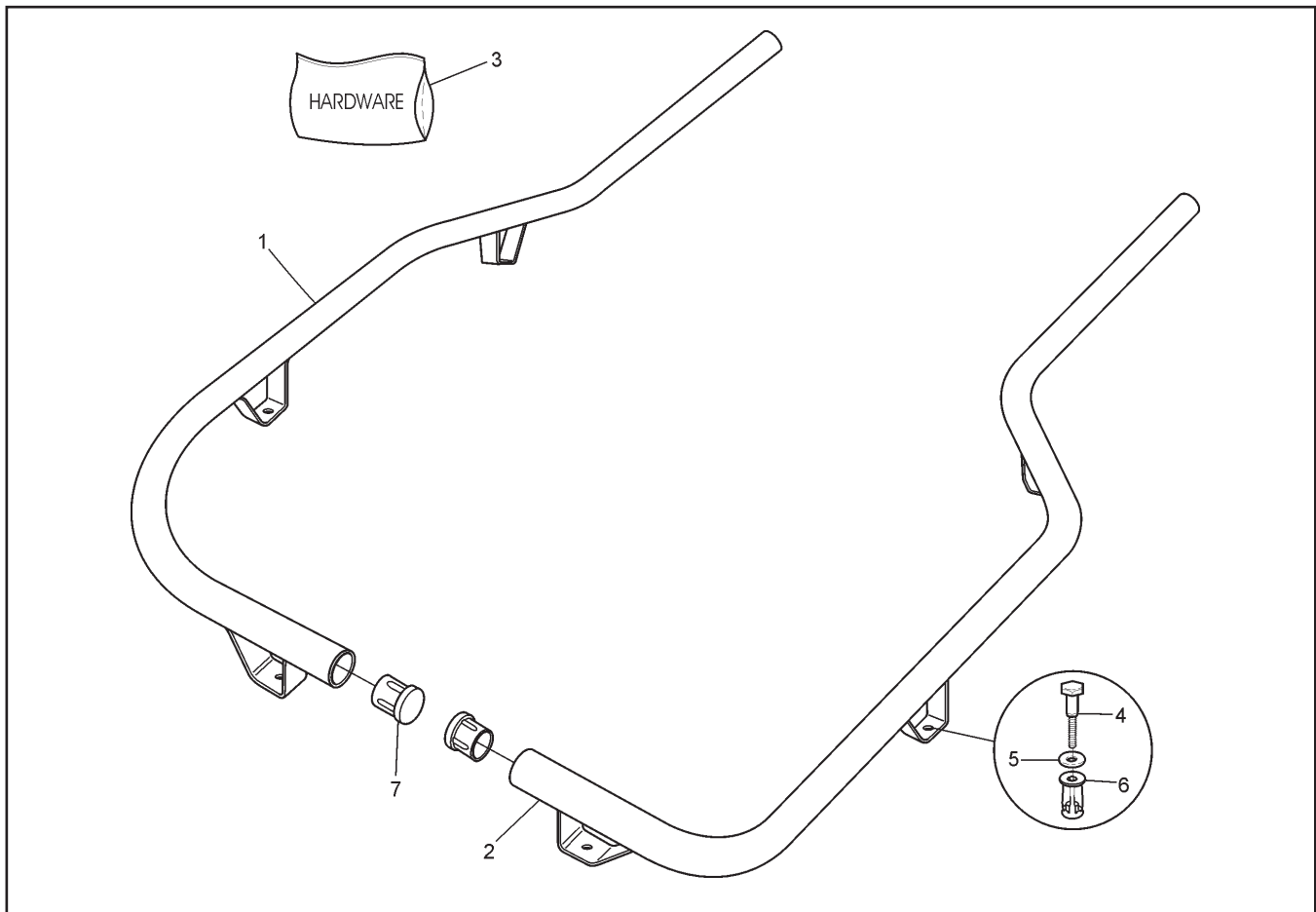
Ref.	Qty.	Part #	Description
1	1	613-165	Switch, Brake Light HDi
2	1	118-67	Boot, Brake Light Switch
3	2	624-06	Light, Brake
4	1	624-11	Wire Harness, Brake Light
5	1	624-10HDW	Hardware Kit includes the following:
6	6	100-64	Tie Wrap - 5.5" Black
7	4	112-56	T/S Pan Hd Phil #10 x 3/4 A Screw Zn
8	3	120-13	Rivet - 3/16 x 5/8 Black
9	3	126-93	Clamp, Nylon Wire - 1/2" ID
10	1	128-11	Spring, .312 OD x .244 ID x 5.0"
11	2	118-30	Terminal, Eye - #10



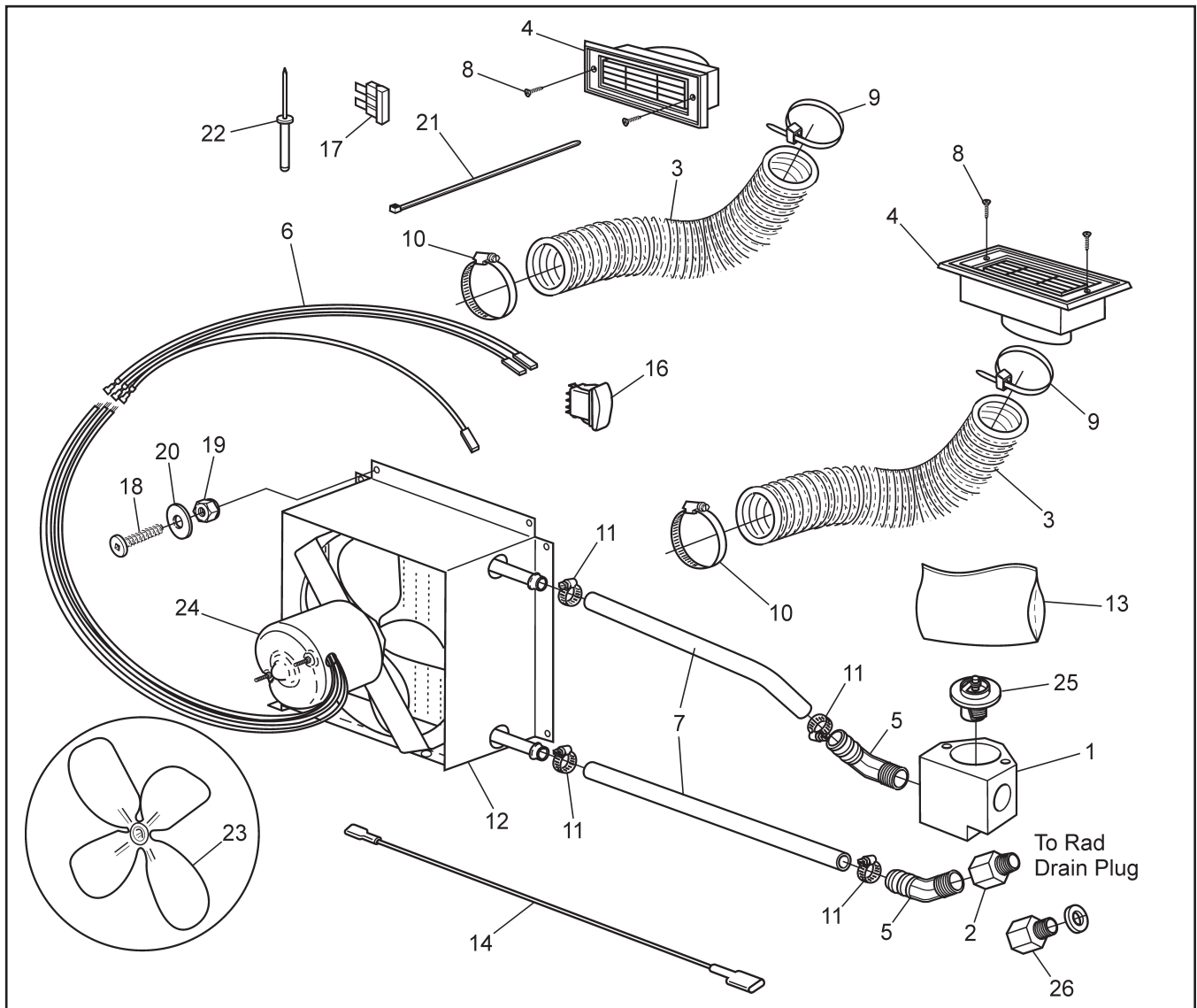
Ref.	Qty.	Part #	Description
1	1	613-154	Switch, Bilge Pump
2	10	100-64	Tie Wrap
3	1	118-64	Terminal, Female 1/4 22-18 Ins
4	2	117-29	Locknut, Nylon
5	4	120-04	Washer, 3/16"
6	4	120-13	Rivet, 3/16 x 3/4
7	1	638-05	Flex Hose, 3'
8	1	638-08	Hull Fitting
9	1	638-11	1" Pipe Strap
10	2	638-14	Rubber Bumper
11	2	638-16	Gear Clamp
12	1	638-18	Bilge Pump & Wire ASM
13a	1	638-19	Bracket, Bilge Pump
13b	1	638-41	Bracket, Bilge Pump
15	1	638-28	Wire Harness w/3 amp fuse
16	1	702-06	Foam Cushion
17	1	112-163	HHCS 3/8-16 x 2.0 Gr5 Zn
18	1	103-88	C/Bolt 3/8-16 x 1.0 Gr5 Zn
19	1	603-66	Spacer, .500 ID x .625 Lg.
20	3	108-15	Washer .42 x .81 x .05 Zn



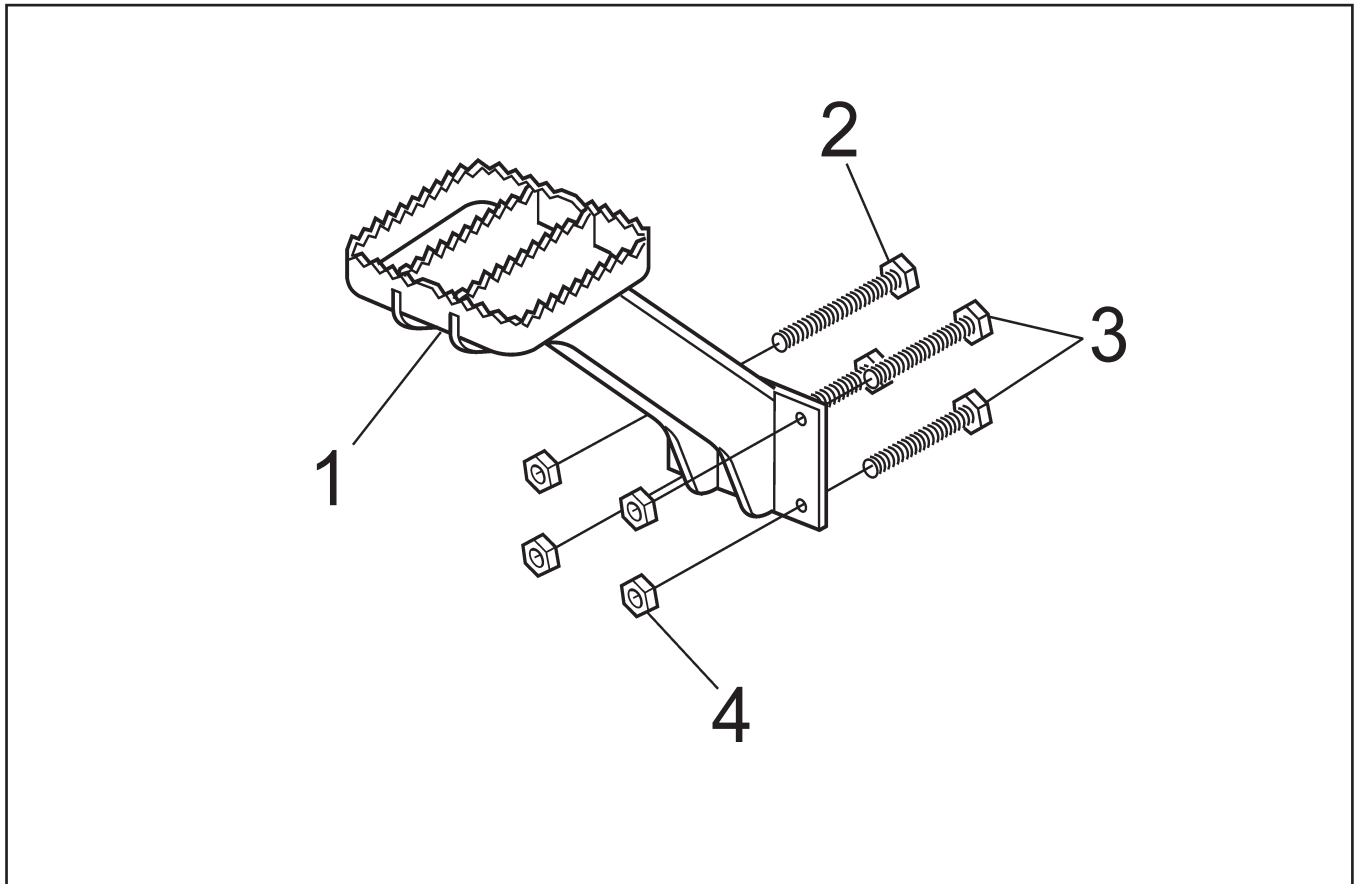
Ref.	Qty.	Part #	Description
1	1		Brush Guard, Avenger w/tabs (not sold separately)
2	1	642-20HDW	Hardware Kit comprised of:
3	2	103-57	HHCS 5/16-18 x 1.5 Gr5 Zn
4	1	103-76	HHCS 3/8-16 x 1.75 Gr5 Zn
5	3	103-82	HHCS 3/8-16 x 1.5 Gr5 Zn
6	2	108-12	Washer .34 x 1.00 x .06 Zn
7	7	108-18	Washer .40 x 1.37 x .12 Zn
8	2	113-13	Plug, 1-1/4" Tube- Avg Brush Guard
9	2	117-21	Locknut, Nylon 5/16-18 Zn
10	4	117-29	Locknut, Nylon 3/8-16 Zn



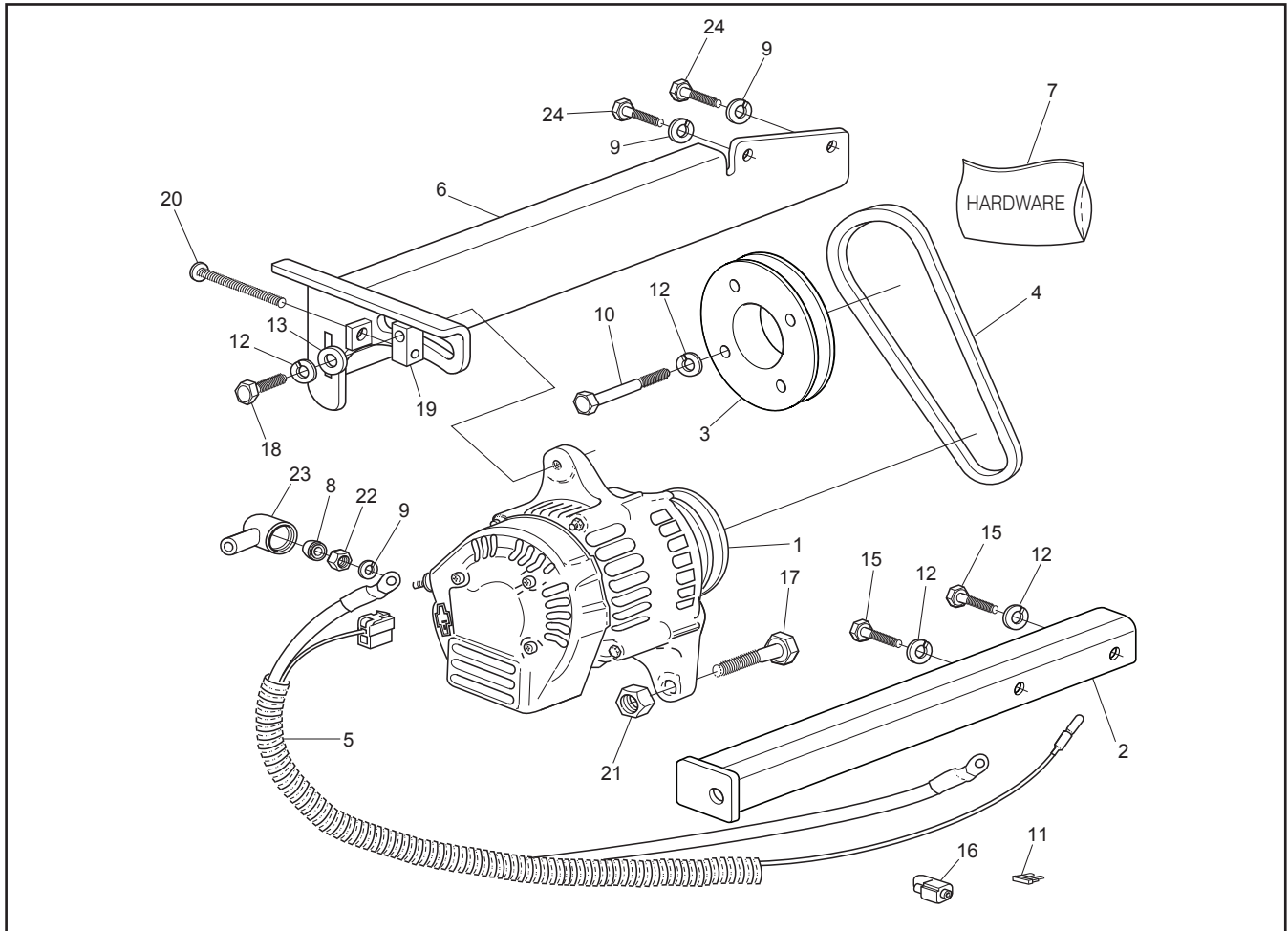
Ref.	Qty.	Part #	Description
1	1	839-31	Handrail, LH
2	1	839-32	Handrail, RH
3	1	839-30HDW	Hardware Kit includes:
4	6	103-97	HHCS 1/4-20x1.25 GR5 Zn
5	6	108-08	Washer .28x.62x.07 Zn
6	6	117-53	Nut, Jack 1/4-20 8L-JNS Zn
7	2	639-25	End Plug-Black



Ref.	Qty.	Part #	Description	Ref.	Qty.	Part #	Description
1	1	848-106	Housing, Heater Kit Thermostat	16	1	613-157	Switch, Heater Fan
2	1	848-99	Fitting, Reducer, 3/8-1/4 NPT	17	1	118-52	Fuse, 10A 2 Prong (A010)
3	2	848-33	Hose, Air 2.5" x 26"	18	4	103-25	PHMS 10-24x3/4 Zn
4	2	848-34	Louver, 2.5" Oval Inlet	19	4	117-10	Locknut, 10-24 N/I Zn
5	2	848-64	Barb, Hose 45 Elbow	20	4	120-04	Washer .19x.50x.08 Zn
6	1	848-37	Wire Harness-Avg. Heater	21	4	100-64	Tie Wrap-5.5"- Black
7	1	848-38	Hose, Antifreeze - 5/8"x 40.5"	22	14	120-11	Rivet-5/32x9/16 Black
8	4	112-139	OHPS T/S #4 x 5/8 Black Zn	23	1	540114	Fan - Blade c/w Set Screw
9	4	100-102	Tie Wrap - 14"-White- 50 lbs.	24	1	540111	Motor - Fan
10	2	100-12	Clamp, Gear - 2.25" HF-36	25	1	66 453 03	205 Degree Thermostat
11	4	638-16	Clamp, Gear - 5/8"	26	1	848-174	Adapter, M12 x 1.25-3/8 Fpt.
12	1	848-15	Core, Fan & Motor ASM - Heater				
13	1	848-107	Kit, Thermostat				
14	1	613-167	Ground Wire, Heater Switch				

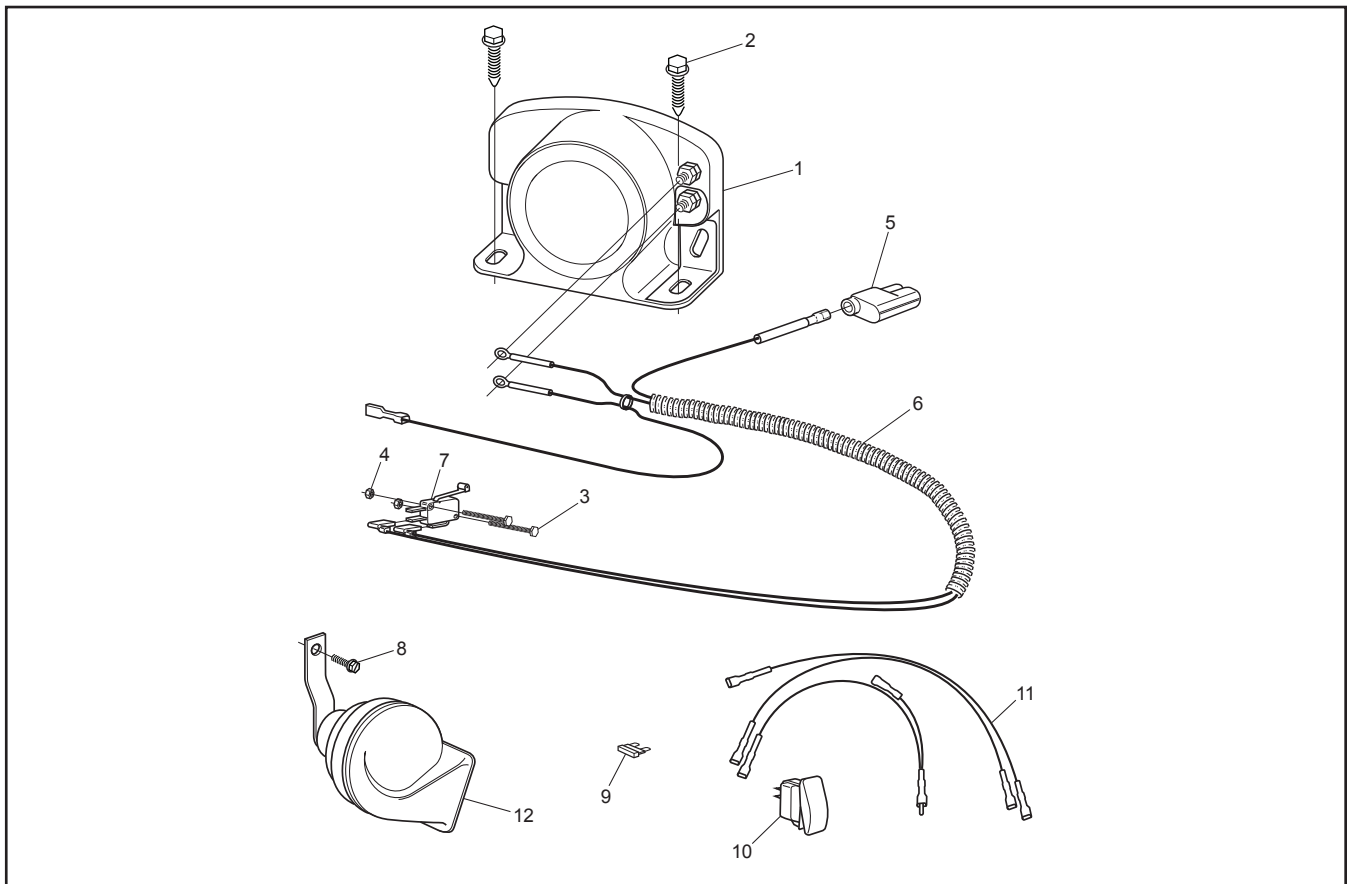


Ref.	Qty.	Part #	Description
1	1		Step Asy, Entry - Avenger (not sold separately)
2	1	103-76	HHCS 3/8-16x1.75 Gr5 Zn
3	3	103-82	HHCS 3/8-16x1.5 Gr5 Zn
4	4	117-29	Locknut, Nylon 3/8-16 Zn

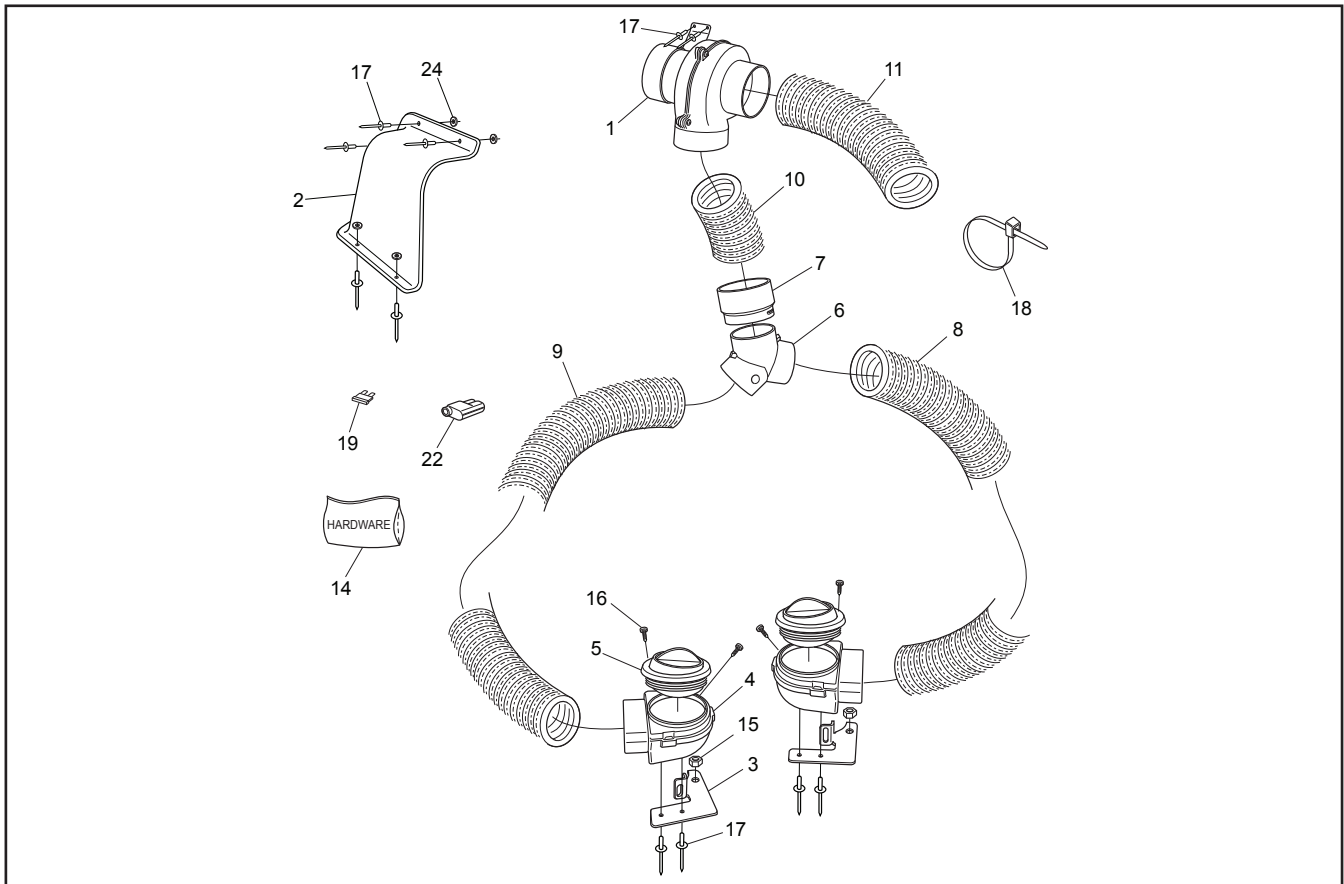


Ref.	Qty.	Part #	Description
1	1	850-41	Alternator - 40 amp
2	1	850-181	Bracket Assy, Altr Engine Lower
3	1	850-59	Pulley, V-Belt
4	1	850-45	V-Belt, 3/8" x 19"
5	1	850-58	Wire Harness
6	1	850-180	Bracket Assy, Altr Engine Upper
7	1	850-54HDW	Hardware Kit comprised of:
8	1	117-94	Pushnut, 5/32" Shaft
9	3	108-03	Lockwasher 1/4" Split Ring Zn
10	4	112-167	HHCS M8 x 1,25 x 80 mm Zn
11	1	118-52	Fuse, 10A 2-Prong
12	7	108-05	Lockwasher 5/16" Split Ring Zn
13	1	108-24	Flat Washer .34 x .70 x .06 Zn
15	2	112-20	HHCS M8 x 1.25 x 25mm
16	1	118-04	Connector, t-Tap 14-18 Awg
17	1	112-22	HHCS M10 x 1,50 x 50mm Zn

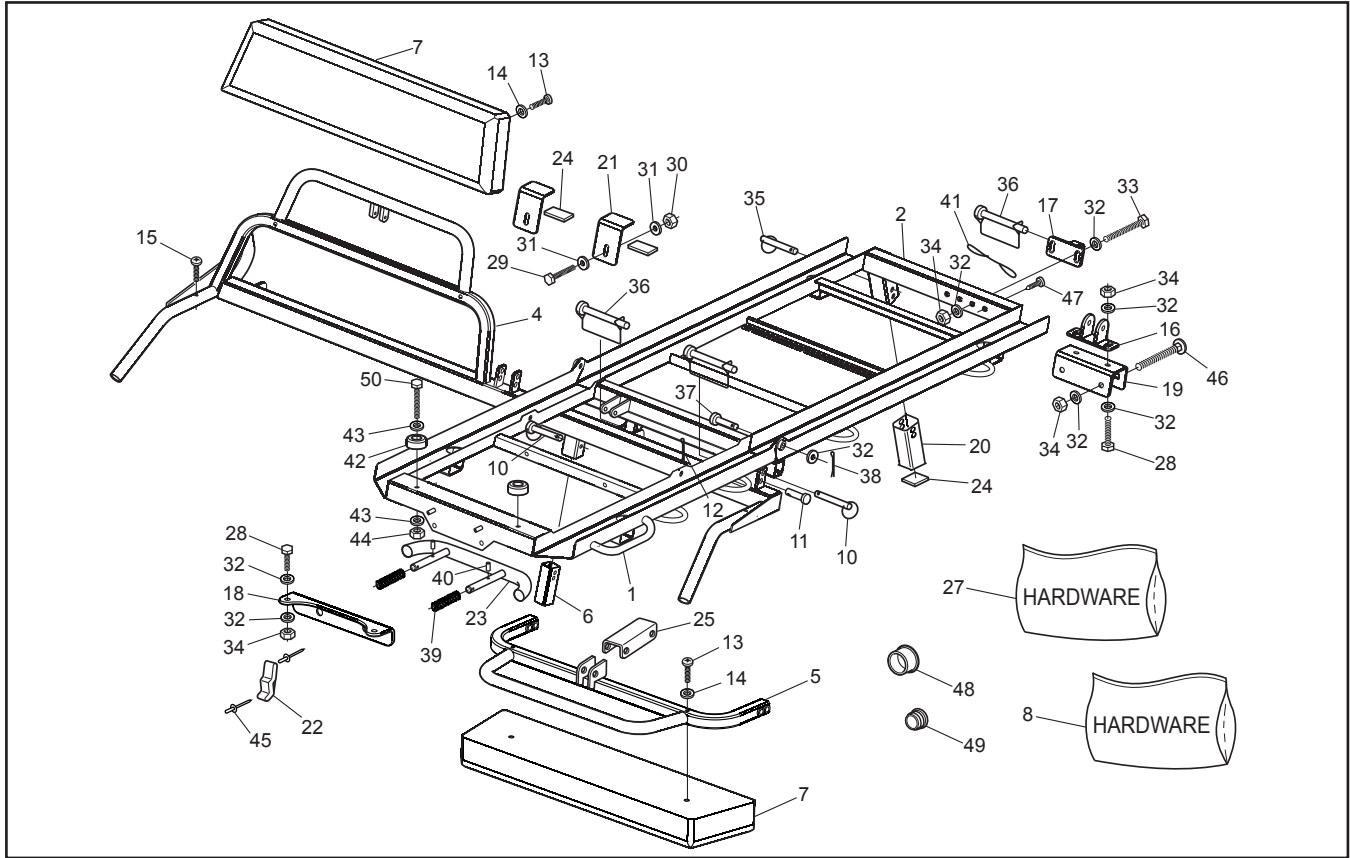
Ref.	Qty.	Part #	Description
18	1	112-63	HHCS M8 x 1.25 x 35mm Gr 5 Zn
19	1	850-52	Block, Adjuster
20	1	112-65	RHMS 1/4 - 20 x 3" Phil Zn
21	1	117-60	Locknut, Nyloc M10 x 1.5mm Zn8
22	1	117-63	Nut, Hex M6 x 1.0 Zn
23	1	613-45	Insulator, Terminal (6ga.)
24	2	112-97	HHCS M6 x 1,0 x 25mm Zn



Ref.	Qty.	Part #	Description
1	1	848-126	Alarm, Back-up
2	2	112-102	Screw, Self-Drill 12-14 x 3/4"
3	2	112-126	HHCS M3x0,5x30 CL 8.8 Zn
3a	2	112-172	SHCS 5-40x3/4 ZN (required for HDi mounting of micro switch)
4	2	117-78	Locknut, Nylon M3x 0.5" Zn
4a	2	112-173	Locknut, #5-40, Zn (required for HDi mounting of micro switch)
5	1	118-04	Connector, T-Tap 14-18 Awg
6	1	613-113	Wire Harness, Back-up Alarm
7	1	809-202	Switch, Limit - Two Pole
8	1	112-119	Screw, IHWH T/C Slot 1/4-20 x 1/2
9	1	118-52	Fuse, 10A 2 Prong (ATC010)
10	1	848-175	Switch, Horn Momentary
11	1	848-176	Harness, Horn Momentary
12	1	848-87	Horn, Electric



Ref.	Qty.	Part #	Description
1	1	127-184	Blower Fan C/W Mtg Bracket
2	1	809-04	Shroud, Intake Duct
3	2	864-03	Bracket, Cooling Duct
4	2	864-06	Duct, Brake Cooling
5	2	864-07	Louver, Brake Cooling
6	1	864-04	Fitting, 2.5" Hose Y
7	1	864-05	Fitting, Hose Reducer 3" -2.5"
8	1	864-08	Hose, Brake 2.5" x 24"
9	1	864-09	Hose, Brake 2.5" x 48"
10	1	864-10	Hose, Brake 3" x 6"
11	1	864-11	Hose, Brake 3" x 12"
14	1	864-01HDW	Hardware, Service Brake Cooling HD
15	2	117-14	Locknut, Centerlock 3/8-16 Zn
16	4	112-139	OHPS T/S #4x5/8 Black Zn
17	13	120-09	Rivet - 3/16 x 1.0 Black
18	12	100-102	Tie Wrap - 14" - White - 50lb
19	1	118-52	Fuse, 10A 2-Prong (ATC010)
20	1	118-02	Terminal, Male - #76-1251
21	1	118-03	Terminal, Female - #76-1289
22	14	120-11	Rivet, 5/32 x .157-.472
23	5	120-04	Washer .19x.50x.08 Zn



Ref.	Qty.	Part #	Description	Ref.	Qty.	Part #	Description
1	1	850-302	Weld. Ass'y, Front Track - SAR	26	1	850-304	Restraint, Two 5ft Cot Straps
2	1	850-103	Weldment, Rear Track - SAR	27	1	850-300HDW	Hardware Kit, Stretcher includes:
3	1	850-306	Backrest, SAR, includes the following:	28	4	103-17	HHCS 3/8-16 x 1.0 Gr5 Zn
4	1	850-104	Weldment, Backrest - SAR	29	2	103-57	HHCS 5/16-18 x 1.5 Gr5 Zn
5	1	850-301	Weld. Ass'y, Folding Backrest	30	2	117-21	Locknut, Nylon 5/16-18 Zn
6	1	850-145	Tube, Adjustment	31	4	108-24	Washer .34 x .70x.06 Zn
7	2	608-92	Backpad Asm - Black, SAR	32	20	108-23	Washer .42 x .81 x .06 Gr8 Zn
8	1	850-306HDW	Hardware Kit, Backrest, SAR includes:	33	2	112-29	HHCS 3/8-16 x 2.5 Gr5 Zn
9	4	108-23	Washer .42 x .81 x .06 Gr8 Zn	34	8	117-29	Locknut, Nylon 3/8-16 Zn
10	3	104-47	Pin, Quick-Release, 3/8 x 1.80	35	1	104-47	Pin, Quick-Release, 3/8 x 1.80
11	2	104-46	Pin, Clevis, 3/8 x 2	36	3	104-45	Pin, Safety, 3/8 x 2-1/4
12	2	100-100	Pin, Cotter 1/8 x 3/4 Zn	37	2	104-44	Pin, Clevis, 3/8 x 3/4
13	4	103-03	PHMS 1/4-20 x 1.50 Zn	38	2	100-100	Pin, Cotter 1/8 x 3/4 Zn
14	4	108-03	Lockwasher 1/4 Split Ring Zn	39	2	127-172	Spring, Compression, 5/8x2-3/4
15	2	112-41	PHMS, Quadrex 1/4-20x1.25 Zn	40	2	104-26	Pin, Spring 3/16 x 13/16
16	1	850-106	Bracket Asm, SAR	41	3	104-37	Lanyard, Nylon - 8"
17	1	850-107	Bracket Asm, Rear SAR	42	2	850-137	Bumper, 1.5 OD x 0.625 Thk
18	1	850-136	Bracket, Dash	43	7	108-08	Washer .28 x .62 x .07 Zn
19	1	850-141	Bracket, Rear Mount	44	2	117-27	Locknut, Nylon 1/4-20 Zn
20	1	850-142	Weldment, Adjuster Tube, Rear	45	4	120-11	Rivet - 5/32 x 9/16 Black
21	2	850-149	Bracket, Front Tube Hold-Down	46	2	112-170	C/Bolt, 3/8-16 x 3.0in
22	1	602-56	Latch, Hood - Soft Draw	47	3	112-102	Screw, Self-Drill 12-14 x 3/4"
23	1	850-303	Handle Ass'y, Stretcher	48	1	127-111	Plug, Black Nylon - 7/8" ID
24	2	127-123	Rubber, Strip -1/4 x 1" x 6.5"	49	3	867-17	Plug, OD 7/8" ID 0.685"-Black
25	1	850-296	Bracket, Linkage	50	2	103-08	HHCS 1/4-20x1.0 Zn

ARGO Products Manufactured by:

Ontario Drive & Gear Limited

220 Bergey Court

New Hamburg, Ontario

Canada N3A 2J5

Phone: (519) 662-2840

Fax: (519) 662-2421

www.argoxtv.com

ODG *Dedicated to quality and performance*