

Argo 6x6
750 HDi



Argo 6x6
750 HDi

PARTS MANUAL

From Serial # ...17907

Foreword

ODG has prepared this parts manual for the 6x6 750 HDi model to assist both qualified mechanics and vehicle owners in ordering correct, quality replacement ARGO parts. For the most current parts manual visit our website at www.argoatv.com.

Proper and regular service, and replacing old, worn or broken parts with the correct ARGO replacement parts, are both essential to prolonging the life of the ARGO. Please refer to this parts manual and/or our website www.argoatv.com before ordering any replacement part.

All information contained in this 6x6 750 HDi Parts Manual is based on the latest product specification available at time of printing. If your 6x6 750 HDi differs from the specifications contained in this manual, check our website www.argoatv.com for the most current information.

ODG reserves the right to alter specifications on the 6x6 750 HDi model at any time, without obligation or prior notification.

Reproduction of this 6x6 750 HDi Parts Manual, in whole or in part, is prohibited without prior written permission from Ontario Drive & Gear Limited.

Vehicle Identification

6x6 750 HDi - Serial Nos. ...17907

Explanation of Parts Manual Format

- Ref** - Reference number between assembly diagram and component parts list
- Part No.** - Argo replacement part number for identification and re-ordering
- Description** - Part description for identification and re-ordering
- Qty** - Indicates the quantity of a part used in an assembly

ARGO 6x6 750 HDi

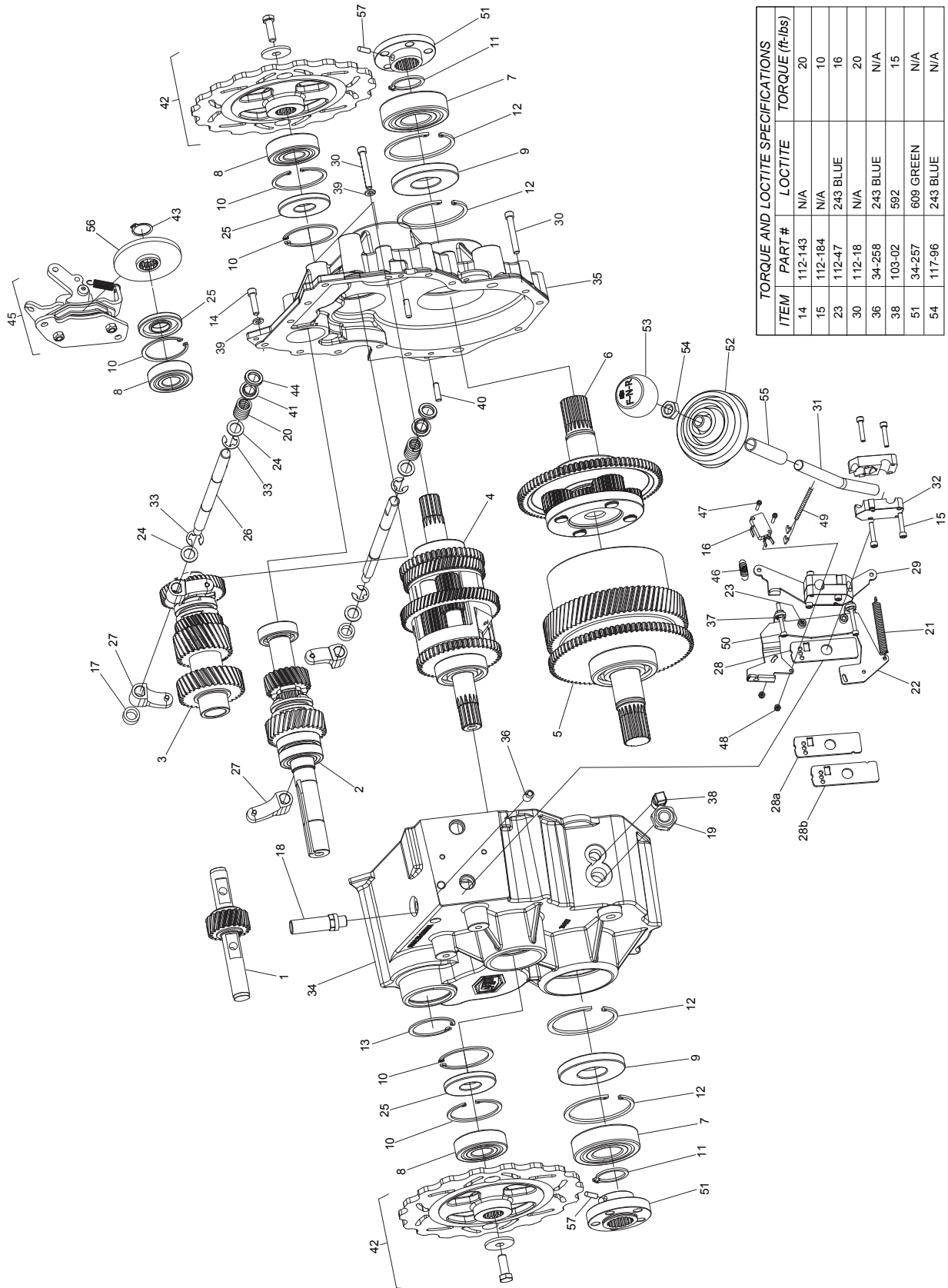


Using the Parts Manual

1. Find the major vehicle assembly in the Table of Contents on this page, and turn to that section.
2. Locate the part in the illustration that you wish to order.
3. Refer to the parts list in that section.
4. Find the correct part number (Part No.), part description (Description) and correct quantity (Qty).
5. Use *only* this information to order ARGO replacement parts. **DO NOT** attempt to order a replacement part by reference number or page number.

Table of Contents

Foreword	i
Vehicle Identification	i
Using the Parts Manual	ii
1.0 Transmission	1
1.1 Transmission Sub-Assemblies	3
2.0 Intake and Exhaust System	5
3.0 Clutch System	7
4.0 Power Pack Assembly	9
5.0 Steering & Brake System	11
6.0 Parking Brake	13
7.0 Vehicle Body & Firewall	15
8.0 Frame & Drive System	17
9.0 Fuel System & Seat Assembly	19
10.0 Electrical System	21
11.0 Scout Model	23
12.0 LX Model	25



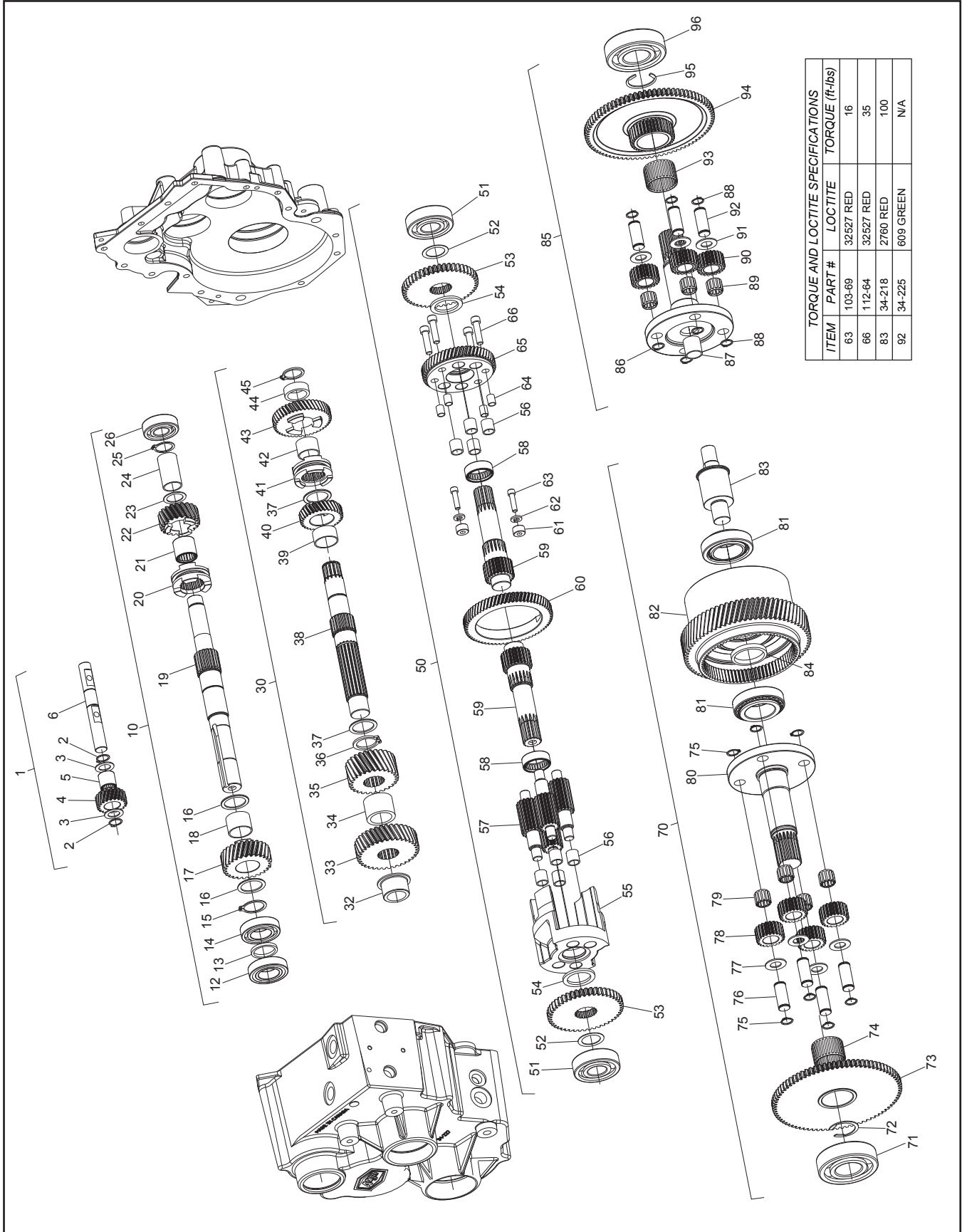
TORQUE AND LOCTITE SPECIFICATIONS		
ITEM	PART #	LOCTITE TORQUE (ft-lbs)
14	112-143	N/A
15	112-184	N/A
23	112-47	243 BLUE
30	112-18	N/A
36	34-258	243 BLUE
38	103-02	592
51	34-257	609 GREEN
54	117-96	243 BLUE

6x6 750 HDi Parts Manual

1.0 Transmission

Ref.	Qty.	Part #	Description	Ref.	Qty.	Part #	Description
	1	34-200-FG	Transmission Admiral	49	1	613-112	Wire Harness, Neutral Start
	1-6		See Section 1.1 Trans. Sub Assemblies	50	2	112-195	SHCS 8-32 x 1.5 Stainless
7	2	101-81	Bearing, Ball 6307 ZZE	51	2	34-239	Coupler, Output Shaft - 34-200
8	3	101-86	Bearing, Ball 6305 Zz	52	1	609-44	Boot, F-N-R Shifter
9	2	102-33	Seal, Oil 35x80x10	53	1	127-226	Knob, Shift F-N-R - HD
10	5	106-05	Retaining Ring HO-244-PA	54	1	117-96	Nut, Jam 1/2-13
11	2	106-23	Retaining Ring SH-0137-PA	55	1	127-228	Sleeve, Insulating - 2.75"
12	4	106-24	Retaining Ring H0-312-PA	56	1	165-52	Rotor, E-Brake
13	1	106-26	Retaining Ring H0-206-PA	57	2	104-75	Pin, Spring, 3/16x13/16 Zn
14	10	112-143	SHCS 5/16 x 1.25 Zn				
15	8	112-184	SHCS, 10-32 x 1				
16	1	613-151	Switch, Micro, Roller Lever				
17	2	114-21	Spacer, .51x.75x.36				
18	1	34-245	Plug, Fill/Vent 1/2 BSPP				
19	1	34-251	Site Glass, 1/2 BSP Aluminum				
20	2	127-186	Spring, Comp. 0.70x1.28				
21	1	127-194	Spring, Ext .360x3.0				
22	1	34-241	Bracket, Switch, Spring Mount				
23	2	112-47	SHCS 1/4-20 x 1.0 Zn				
24	4	108-35	Washer .53x1.06x.09 Zn				
25	3	102-37	Seal, Oil 25x62x7				
26	2	34-231	Shaft, Shift - F-N-R				
27	4	34-232	Fork, Shift - Half				
28	1	34-233	Plate, Detent				
28a	1	34-233L	Plate, Detent, Left Adj.				
28b	1	34-233R	Plate, Detent, Right Adj.				
29	1	34-242	Bracket, Spring Mount				
30	8	112-18	SHCS 5/16x2.25				
31	1	34-235	Lever, Shaft - F-N-R				
32	4	34-236	Clamp, Lever Shaft				
33	4	106-30	Retaining Ring E-0050 E				
34	1	34-227	Housing, Admiral, Left (includes Ref. # 36)				
35	1	34-228	Housing, Admiral, Right				
36	1	34-258	Plunger, Ball - Nose Spring				
37	4	117-92	Nut, Hex Machine #8-32 Zn				
38	1	103-02	Plug, Magnetic 3/8-18Npt Sq. Hd				
39	11	108-05	Lockwasher 5/16 Split-Ring Zn				
40	2	104-03	Pin, Dowel 1/4x7/8				
41	2	105-33	Bushing, Flange				
42			See Section 4.0 Power Pack				
43	1	106-29	Retaining Ring SH-0093-PA				
44	2	102-36	Seal, Shift Shaft - 0.5 x .75 x .125				
45			See Section 6.0 Parking Brake				
46	1	127-195	Spring, Ext., .75 x 2.73				
47	2	112-172	SHCS 5-40 x 3/4 Zn				
48	2	112-173	Locknut, #5-40 Zn				

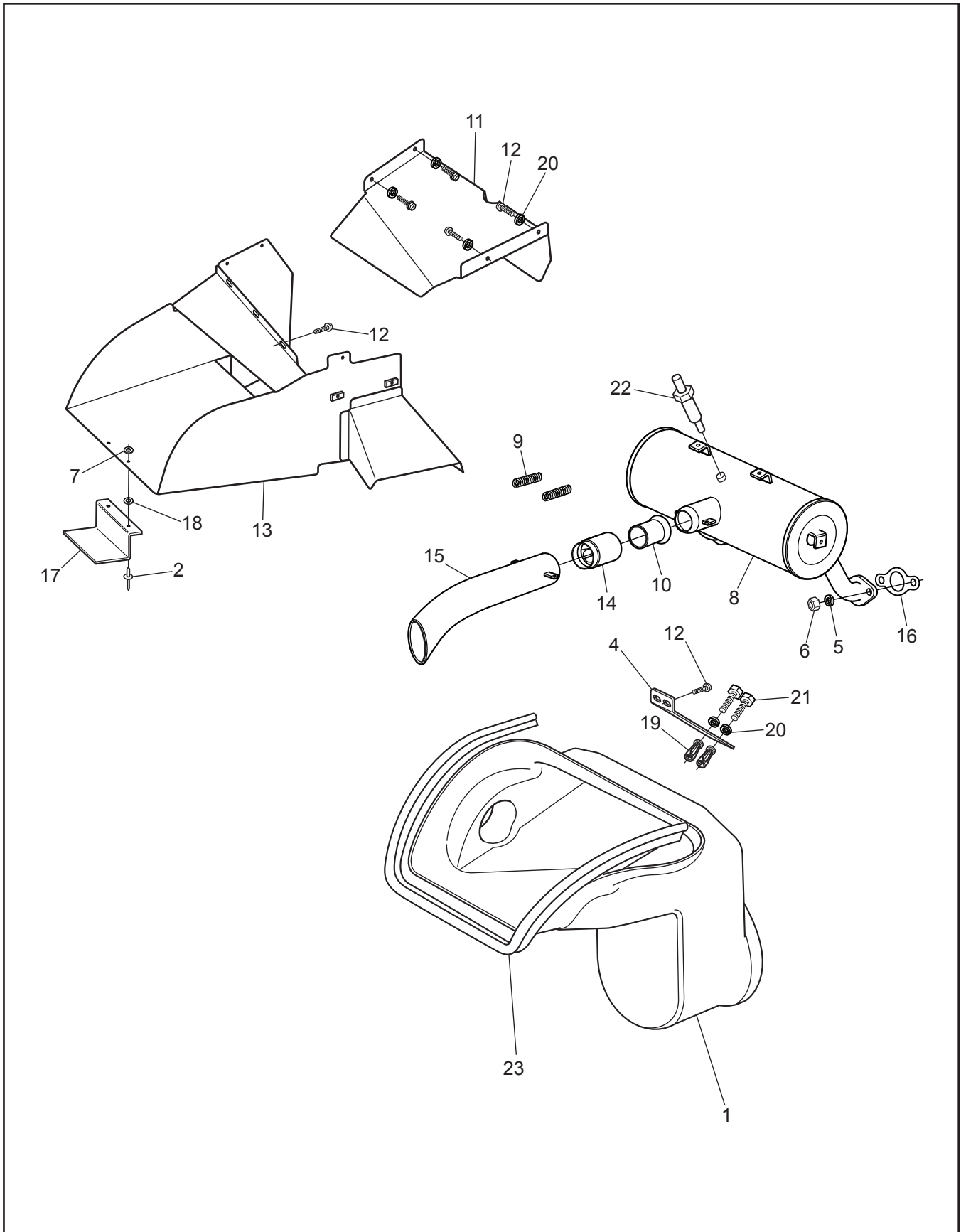
1.1 Transmission Sub-Assemblies 6x6 750 HDi Parts Manual



6x6 750 HDi Parts Manual 1.1 Transmission Sub-Assemblies

Ref.	Qty.	Part #	Description	Ref.	Qty.	Part #	Description
1	1	34-290	Asm, Reverse Shaft - Adm. includes:	60	1	34-205	Gear, Helical - 67T
2	2	106-25	Retaining Ring SH-0078-PA	61	2	105-28	Bushing, Dowel .26x.625x.36
3	2	108-99	Washer, Thrust .79x1.25 x .06	62	2	108-03	Lockwasher 1/4 Split Ring Zn
4	1	34-220	Pinion, Idler - 20T	63	2	103-69	SHCS, 1/4-20 x 1.5 Zn
5	1	101-87	Bearing, Needle HMK20x27x25	64	4	105-23	Bushing, Dowel - .312 x .5
6	1	34-221	Shaft, Shift - Reverse	65	1	34-204	Gear, Helical - 55T
				66	4	112-64	SHCS 5/16 x 18 x 1.25
10	1	34-291	Asm, Input Shaft includes:	70	1	34-294	Asm, Output Shaft LH-Adm. includes
12	1	101-89	Bearing, Ball 60/28 Llu	71	1	101-73	Bearing, Ball 6307 CL.N.
13	1	114-19	Spacer, 1.12x1.375x.148	72	1	106-31	Retaining Ring C-0137
14	1	101-88	Bearing, Ball 60/28	73	1	34-207	Gear, Sun - 81T, 35T
15	1	106-27	Retaining Ring SH-112-PA	74	1	101-83	Bearing, Needle KJ37x42x27S
16	2	108-98	Washer, Thrust 1.13x1.46x.062	75	8	106-22	Retaining Ring SH-0056-PA
17	1	34-215	Pinion, For.-27T,12Dp	76	4	34-225	Pin, Planet Carrier
18	1	105-32	Bushing, Bronze 1.125x1.25x.875	77	4	108-93	Washer, .59x1.10x.06
19	1	34-213	Shaft, Input	78	4	34-217	Gear, Planet - 21T
20	1	34-224	Collar, Shift, For-Rev	79	4	101-82	Bearing, Needle KM J15x21x17S
21	1	101-90	Bearing, Needle HK2220	80	1	34-216	Shaft, Output
22	1	34-214	Pinion, Reverse - 21T,12Dp	81	2	101-76	Bearing, Tapered Roller 32008X
23	1	114-17	Washer, Thrust .866x1.181x.039	82	1	34-219	Planetary Hub
24	1	114-18	Spacer, .865x1.0x1.75	83	1	34-218	Shaft, Planetary Stub
25	1	106-25	Retaining Ring SH-0078-PA	84	1	114-22	Spacer, 1.585x1.75x.245
26	1	101-01	Bearing, Ball 6204Z-C3				
30	1	34-295	Asm, Idler Shaft includes:	85	1	34-293	Asm, Output Shaft RH - Adm. includes:
32	1	105-30	Bushing, Flanged 1x1.375	86	1	34-226	Shaft, Output, Right
33	1	34-211	Gear, Helical - 35T	87	1	105-26	Bushing, Oilite .75x.875x.875
34	1	108-96	Spacer, 1.125x1.5x1.083	88	8	106-22	Retaining Ring SH-0056-PA
35	1	34-209	Pinion, Helical - 27T	89	4	101-82	Bearing, Needle KM J15x21x17S
36	1	106-28	Retaining Ring SHR-0112-PA	90	4	34-217	Gear, Planet - 21T
37	2	108-98	Washer, Thrust 1.13x1.46x.062	91	4	108-93	Washer, .59x1.10x.06
38	1	34-208	Shaft, Idler	92	4	34-225	Pin, Planet Carrier
39	1	105-31	Bushing, Bronze 1.125x1.25x.625	93	1	101-83	Bearing, Needle KJ37x42x27S
40	1	34-210	Pinion, Helical - 31T	94	1	34-207	Gear, Sun - 81T, 35T
41	1	34-223	Collar, Shift, Hi-Low	95	1	106-31	Retaining Ring C-0137
42	1	105-29	Bushing, Oilite 1.0x1.125x.75	96	1	101-73	Bearing, Ball 6307 CL.N.
43	1	34-212	Pinion, Helical - 43T				
44	1	108-97	Spacer, 1.01x1.3x.409				
45	1	107-15	Retaining Ring SHR-98-PA				
50	1	34-292	Asm, Differential - Adm. includes:				
51	2	101-40	Bearing, Ball 6305 Open				
52	2	114-16	Washer, SHIM .99x1.375x.030				
53	2	34-203	Pinion, Spur - 46T				
54	2	108-94	Washer, Thrust 1.25x1.688x.125				
55	1	34-206	Cage, Differential				
56	8	105-27	Bushing, Oilite .5x.625x.625				
57	4	34-202	Gear, Planet - 15T				
58	2	101-84	Bearing, Needle HK3012				
59	2	34-201	Shaft, Brake				

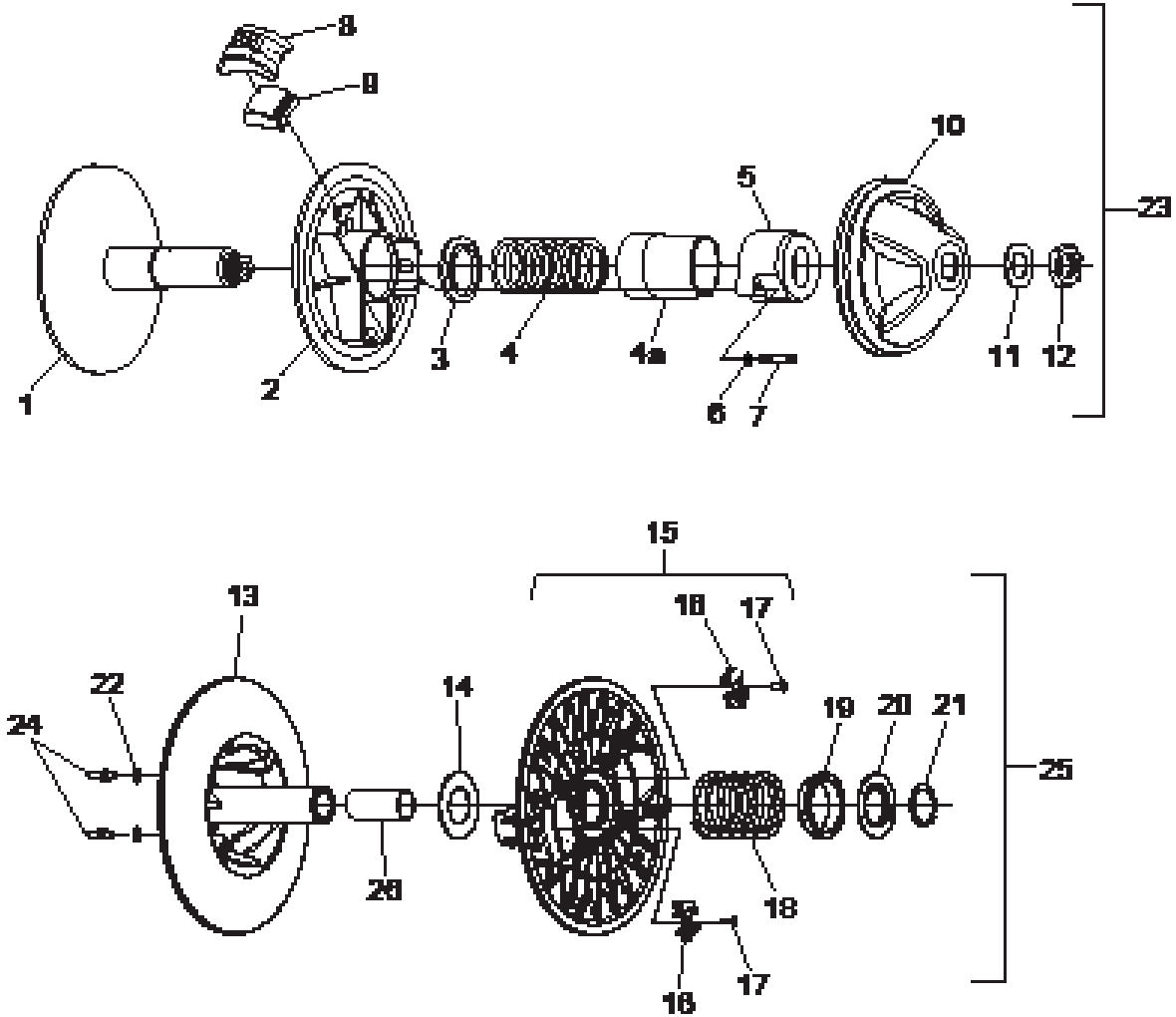
2.0 Intake and Exhaust System 6x6 750 HDi Parts Manual



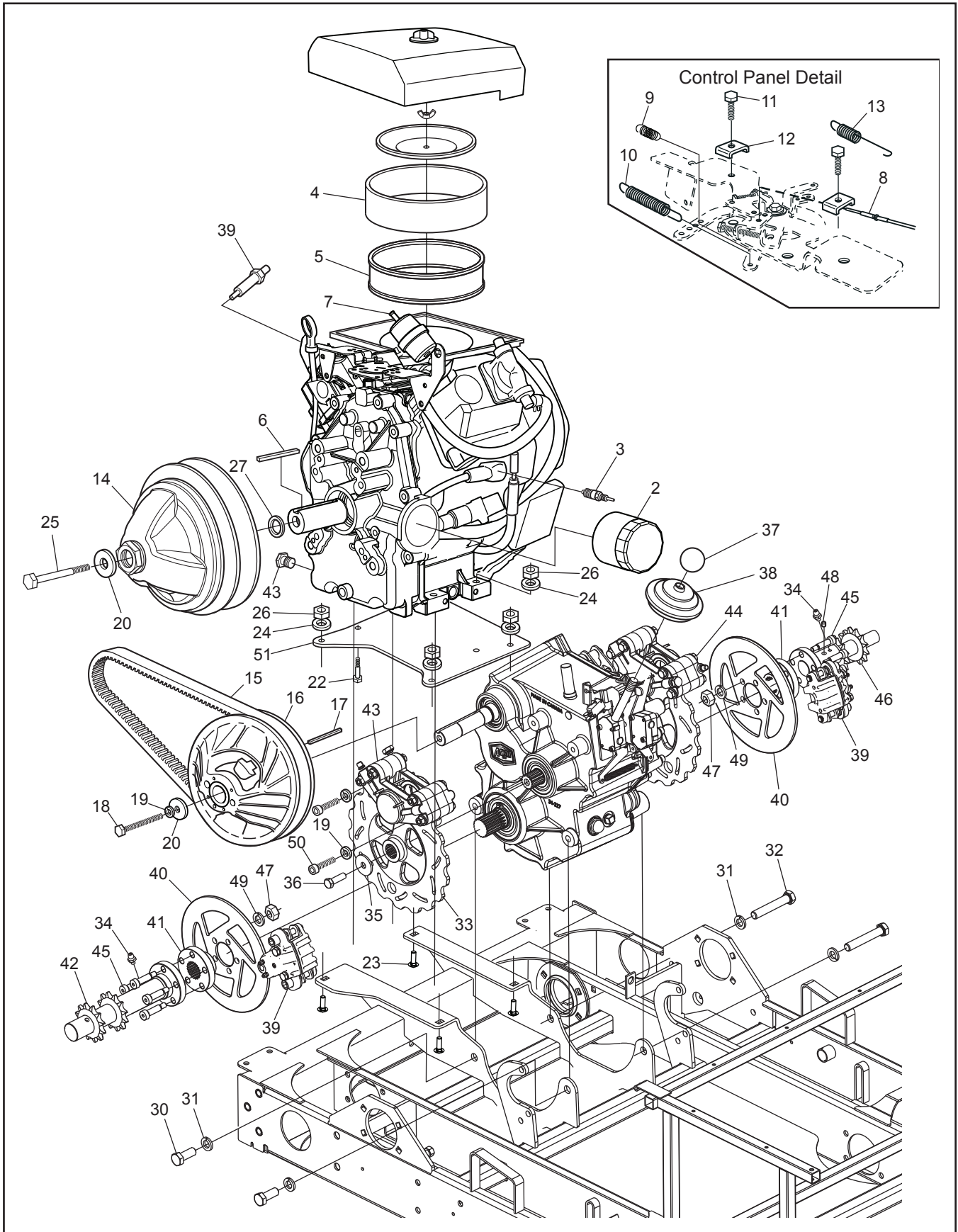
6x6 750 HDi Parts Manual 2.0 Intake and Exhaust System

Ref.	Qty.	Part #	Description
1	1	809-15	Duct, Intake - Frontier
2	2	120-31	Rivet, 3/16 x 1/4". Open End
4	1	707-55	Bracket, Intake Duct - Frontier EFI
5	4	108-02	Lockwasher 5/16 Hi-Collar Bare
6	4	112-30	SHCS M8x1,25x20mm Zn
7	4	120-04	Washer, .19 x .50 x .08 Zn
8	1	607-121	Muffler Ass'y, Avenger EFI
9	2	127-187	Spring, Extension - 17/32 x 3.75
10	1	607-135	Tube, Muffler, Flared x 2.0
11	1	607-210	Shield, Heat, Frontier EFI
12	9	112-19	Screw, IHWH T/C Slot 1/4-20 x 1/2
13	1	607-164	Duct, Exhaust - Frontier
14	1	607-126	Spark Arrester, 1.75 Dia.
15	1	607-134	Pipe, Tail Asy
16	2	24 041 49	Gasket, Exhaust Manifold
17	1	707-45	Support, Exhaust Duct
18	2	125-58	Washer, Fibre - W-77F
19	2	117-53	Nut, Jack 1/4-20 8L-JNS Zn
20	6	108-03	Lockwasher 1/4 Split Ring Zn
21	2	103-97	HHCS 1/4-20 x 1.25 Gr5 Zn
22	1		See Section 4.0 Power Pack Assembly
23	1	807-77-86	Seal, Radiator, 86"

3.0 Clutch System



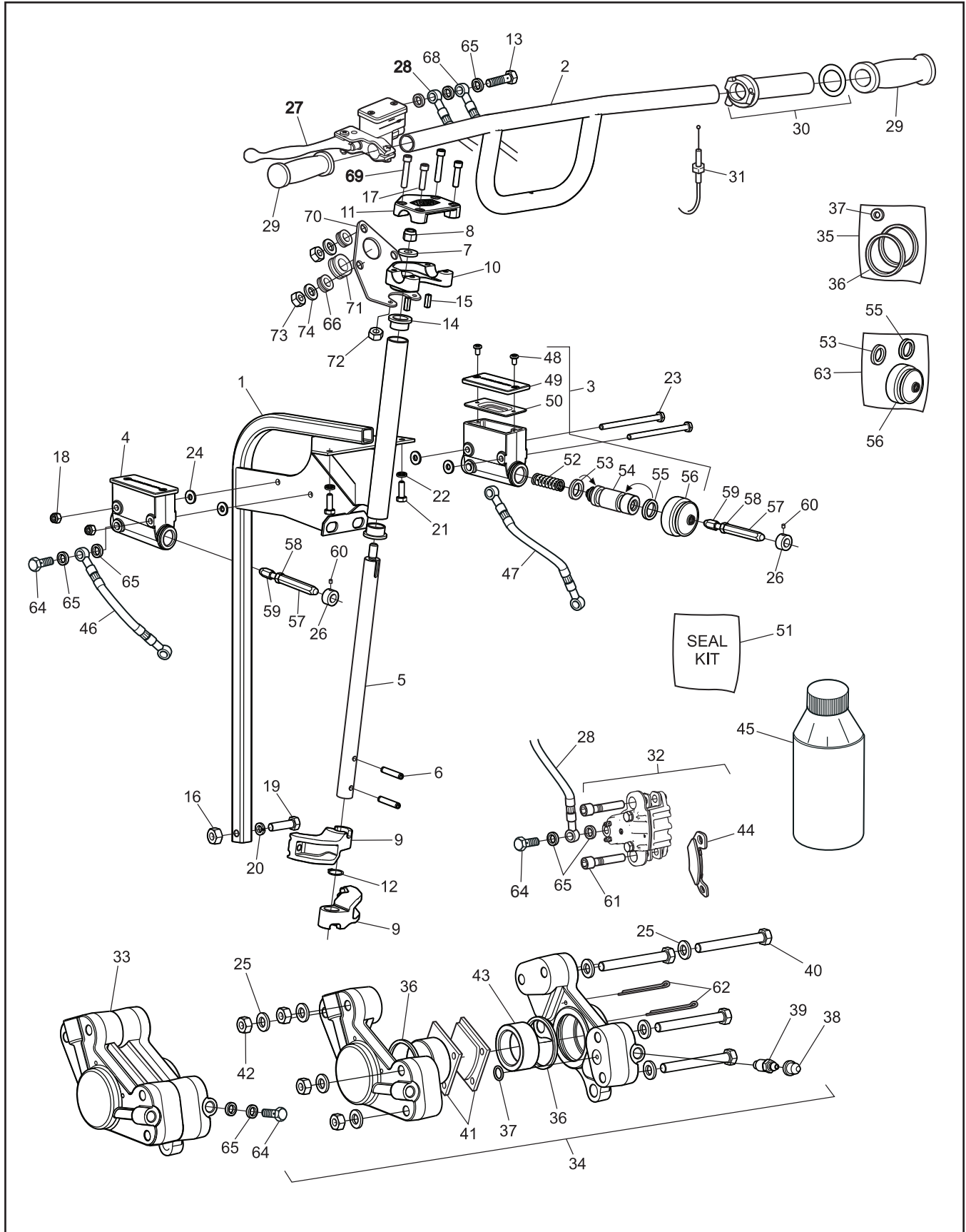
Ref.	Qty.	Part #	Description
1	1	0405-0138	Flange, Fixed
2	1	0410-0033	Flange, Sliding
3	1	0150-1014	Spring Guide Washer
4	1	1151-1114	Spring
4a	1	0450-3002	Guide, Spring
5	1	0440-0005	Spring Cover
6	3	0080-0167	Lockwasher
7	3	0080-0021	Screw, Cap
8	3	0130-3012	Block
9	3	0135-3065	Weight (275gr)
	1	127-208	Weight Set (3), 185g - High Elevation (See Bulletin NP #5)
	1	127-209	Weight Set (3), 220g - High Elevation (See Bulletin NP #5)
	1	127-210	Weight Set (3), 240g - High Elevation (See Bulletin NP #5)
10	1	0115-2061	Cap
11	1	0080-0804	Washer, Zn
12	1	V16J1	Nut
13	1	5905-0003	Flange, Fixed
14	1	0080-0164	Washer, Shim
15	1	5910-0002	Flange, Sliding
16	2	5930-3001	Cam Shoe
17	2	0080-0031	Screw
18	1	5951-1009	Spring
19	1	5950-3003	Spring Protector
20	1	5950-3002	Spring Support
21	1	0080-0216	Retaining Ring, Outside
22	2	0080-0167	Lockwasher
23	1	610-126	Clutch, Driver - 650
24	2	0080-0035	Screw & Nut Ass'y
25	1	127-156	Clutch, Driven - INVANCE
26	1	5940-2001	Keyway Stopper



6x6 750 HDi Parts Manual

4.0 Power Pack Assembly

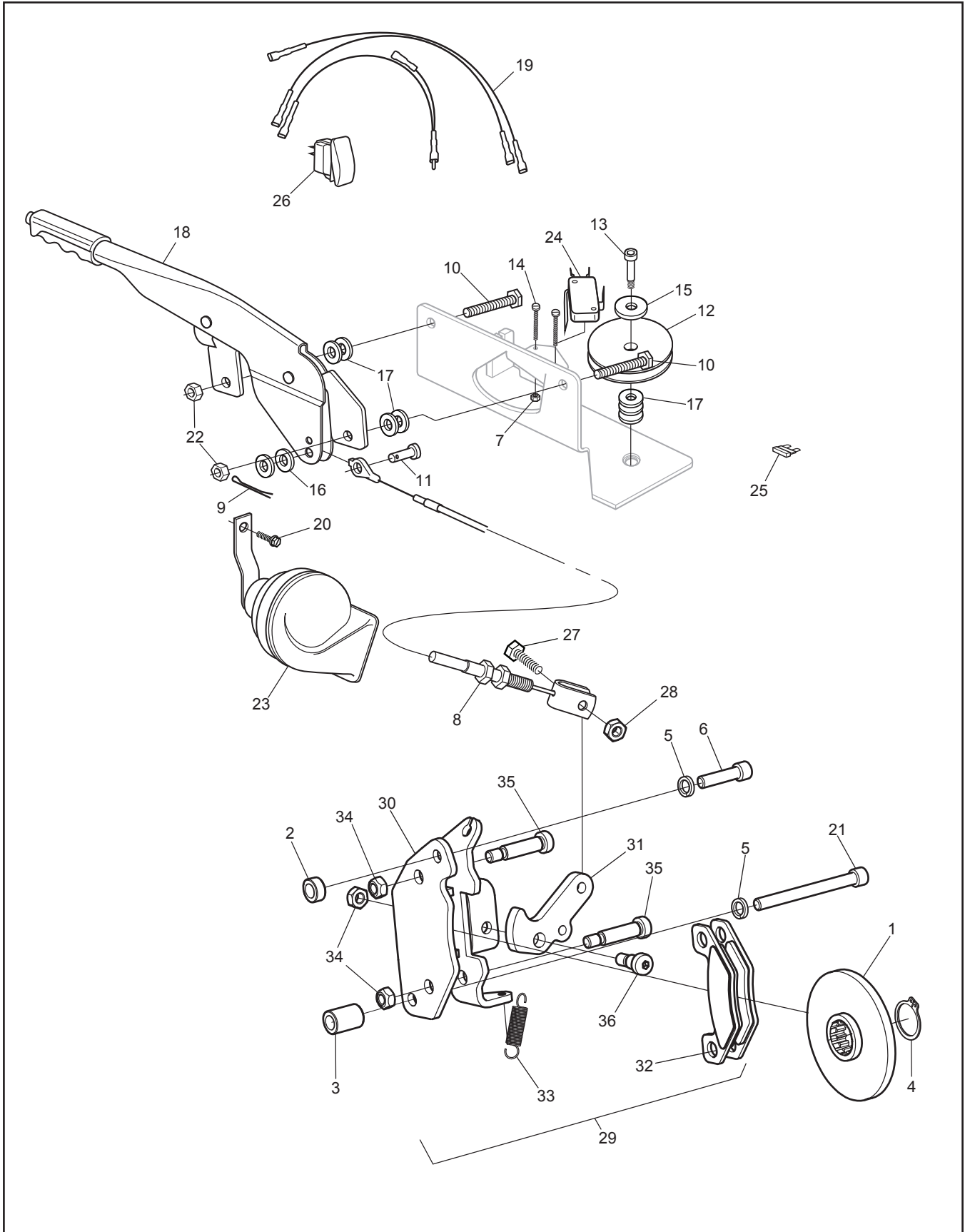
Ref.	Qty.	Part #	Description	Ref.	Qty.	Part #	Description
1	1	ECH730	Engine, Kohler 23HP EFI	36	2	103-60	HHCS 3/8-24 x 1 Gr5
2	1	12 050 01	Filter, Oil - Kohler	37	1	127-189	Knob, 1.58" Dia. x 1/2-13
3	2	25 132 12	Sparkplug 3071	38	1	609-44	Boot, F-N-R Shifter
4	1	24 083 03	Filter, Air ECH730	39	1	25 418 07	Sensor, Oxygen 4 Wire
5	1	24 083 05	Prefilter, Air ECH730	40	2	165-25	Disc, Brake, Service
6	1	110-18	Key 1/4 x 1/4 x 1.75 RC45	41	2	34-239	Coupler, Output Shaft
7	1	25 050 42	Filter, Fuel	42	1	606-103FG	Shaft, Output L - 11T - 650 HD
8	1	612-101	Cable Asm, Throttle- FRN/AVG	43			See Section 5.0 Steering & Brake System
9	1	24 089 51	Spring, Throttle	44			See Section 5.0 Steering & Brake System
10	1	24 089 46	Spring, Governor	45	10	112-188	Bolt, Shoulder M10 x 30
11	1	M-545016	Screw	46	1	606-102	Shaft, Output R - 11T - 650 HD
12	1	12 237 01	Clamp, Cable	47	10	117-77	Locknut, Nylon - M8 x 1,25mm Zn8
13	1	127-49	Spring, Extension - .375 x 2.55	48	1	613-127	Magnet, Speedometer
14			See Section 3.0 Clutch System	49	10	108-05	Lockwasher 5/16 Split-Ring Zn
15	1	127-137	Drive Belt - Avenger - 10.5"C.D. See Section 3.0 Clutch System	50	4	103-41	SHCS 3/8-16x1.25 Zn
16			Key 1/4 x 3/16 x 2.375 RC46	51	1	604-149	Plate, Eng Mount, 6x6 HDi
17	1	110-03	HHCS 3/8-16 x 3.50 Gr5 Zn				
18	1	112-164	Lockwasher 3/8 Split Ring Zn				
19	7	108-06	Washer .47 x 1.37 x .12 Hi-Carbon - 650				
20	2	108-58	Cable Asm, Throttle				
21	1	612-101	HHCS 3/8-16x1.75 Gr5 Zn				
22	4	103-76	C/Bolt 3/8-16x1.0 Gr5 Zn				
23	4	103-88	Washer .42x.81x.05 Zn				
24	8	108-15	HHCS, 7/16-20 x 5" Lg - 650				
25	1	112-160	Locknut, Nylon 3/8-16 Flanged				
26	8	117-118	Washer, Engine, Clutch 650				
27	1	108-84	Locknut, Nylon 5/16-18 Zn				
28	4	117-21	Washer .34 x 1.00 x .06 Zn				
29	4	108-24	HHCS 1/2-13 x 1.25 Gr5 Zn				
30	2	112-189	Lockwasher 1/2" High Alloy				
31	4	108-107	HHCS 1/2-13 x 3.0 Gr5 Zn Disc,				
32	2	112-190	Brake - Admiral				
33	2	165-22	Fitting, Grease STR 1/4-28 TPR				
34	2	100-127	(From S.N. 17093)				
			Washer .40 x 1.37 x .12 Zn				
35	2	108-18					



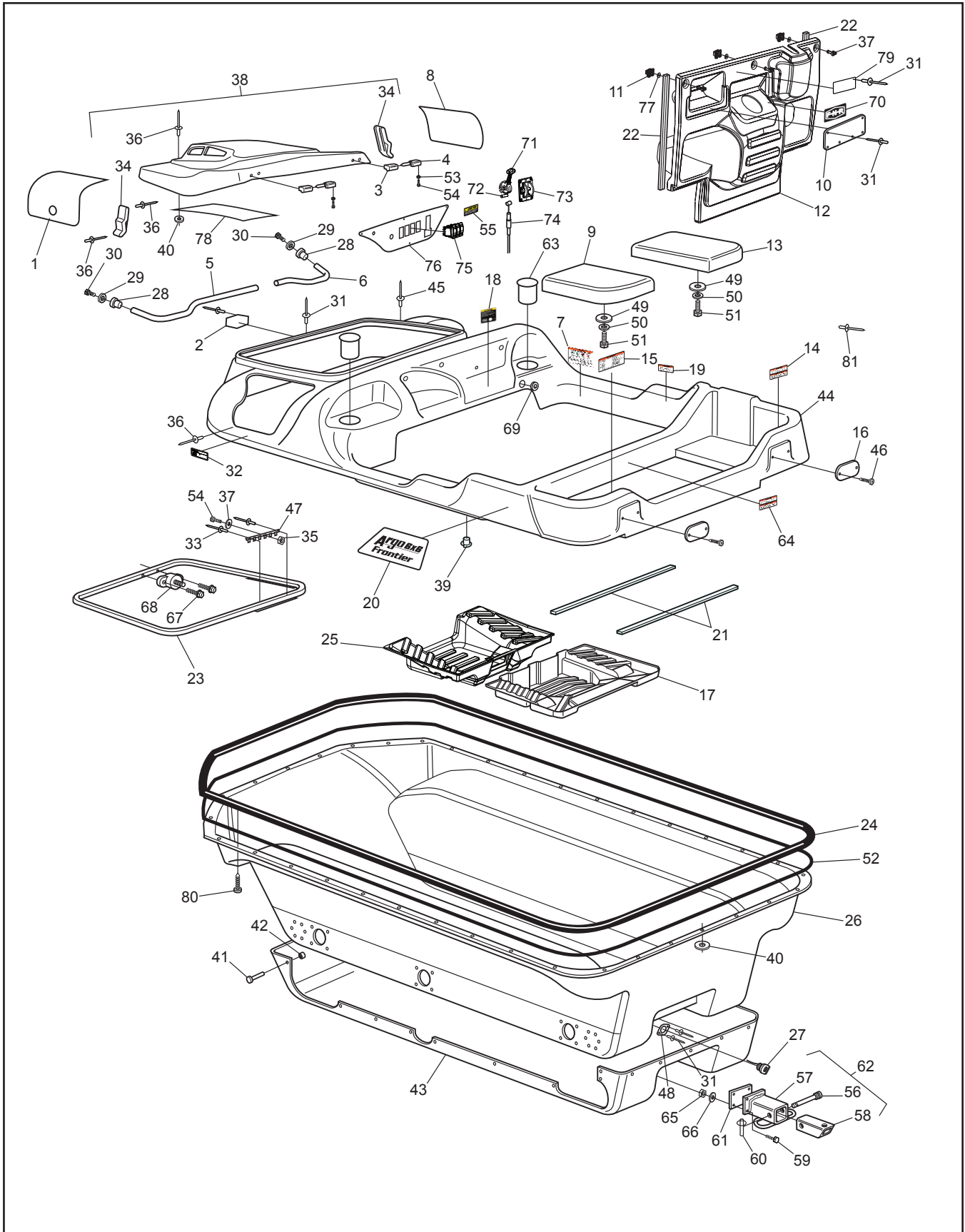
Ref.	Qty.	Part #	Description	Ref.	Qty.	Part #	Description
1	1	612-133	Frame Ass'y- Steering Column HDi	45		126-19	Fluid, Brake-Silicon Dot 5 - .35L
2	1	612-107	Handlebar Assembly	46	1	163-05	Hose Asm, Hydraulic - Left
3	1	165-58	Master Cylinder, RH Wilwood	47	1	163-06	Hose Asm, Hydraulic - Right - SS
4	1	165-57	Master Cylinder, LH Wilwood	48	2x2	160-42	Screw, FHMS M5 x 0,8 x 6mm
5	1	612-128	Shaft, Steering - Avenger	49	2x1	168-08	Cover
6	2	104-42	Pin, Spring 1/4 x 1.5"	50	2x1	168-09	Cover, Rubber
7	1	108-47	Washer, .39 x .94 x .13 Zn Di-chr	51	1	165-37	Piston Seal Kit - Wilwood
8	1	117-29	Locknut, Nylon 3/8-16 Zn	52	2x1	162-08	Spring, Comp. 17.3 x 49.3mm
9	2	612-124	Arm, Steering	53	2x1		Seal, Primary, 19mm (See Ref. 63)
10	1	612-106	Clamp, Lower Handlebar	54	2x1	168-10	Piston 19mm dia.
11	1	612-105	Clamp, Upper Handlebar	55	2x1		Seal, Secondary, 19mm (See Ref. 63)
12	1	106-07	Ring, Retaining SH-0075PA	56	2x1		Boot, Rubber (See Ref. 63)
13	1	112-194	Bolt, Banjo, M10x1.0, Double	57	2	812-30	Pin, Female
14	2	105-16	Bushing, Oilite - 3/4 x 1/2	58	2	117-03	Nut, Fin Hex 1/4-20 Zn
15	2	110-17	Key, 3/16 x 3/16 x .625	59	2	812-31	Fin, Male
16	1	117-21	Locknut, Nylon 5/16-18 Zn	60	2	112-02	SHSS 10-24x1/4 Knurl Cup PT, PL
17	2	112-47	SHCS, 1/4-20 x 1.0 Zn	61	4	165-38	Caliper Pin, Service Brake HDi
18	2	117-27	Locknut, Nylon 1/4-20 Zn	62	2x2	168-07	Pin, Cotter 1/8 x 3.00 Zn
19	1	112-155	C/Bolt 5/16-18x1.25 Gr2 Zn	63	2x1	161-25	O-Ring Kit - Master Cylinder - Grimeca (incl. Ref. 53, 55 & 56)
20	1	108-24	Washer, .34 x .70 x .06 Zn	64	6	160-44	Bolt, Banjo - M10 x 1,0 x 21,0
21	2	112-04	HHCS 1/4-20 x 3/4 Gr2 Zn	65	15	160-01	Washer, Copper - 1,5 x 10,0 x 14,0
22	2	108-03	Lockwasher 1/4 Split Ring Zn	66	3	125-84	Grommet, Rubber
23	2	103-66	HHCS, 1/4-20 x 4.0 Gr5 Zn	68	1	165-43	Brake Line, Driver Side
24	4	108-08	Washer, .28 x .62 x .04 Zn	69	2	103-69	SHCS 1/4-20 x 1.5 Zn
25	2x8	108-24	Washer, .34 x .70 x .06 Zn	70	1	612-132	Bracket, LCD Gauge - Painted
26	2	812-17	Collar	71	1	128-27	Grommet 1-1/4ID x 1-1/2x3/32
27	1	165-31	Handbrake, Left Hydraulic	72	2	117-86	Nut, Acorn, 1/4-20 Zn
28	1	165-42	Brake Line, Passenger Side	73	3	117-85	Nut, Acorn, M5 Zn
29	2	127-35	Grip, Molded	74	3	120-04	Washer .19 x .50 x .08 Zn
30	1	127-81	Throttle Twist Grip				
31	1	612-101	Cable Asm, Throttle				
32	2	165-32	Caliper, Service (includes Ref. 44 & 61)				
33	1	166-10	Caliper, Hydraulic Brake - L w/o pads				
34	1	166-11	Caliper, Hydraulic Brake - R w/o pads				
35	2	161-05	O-ring Kit, Knott Caliper				
36	4		Seal, Piston				
37	2		Seal, Rubber				
38	2x1	168-20	Plug, Rubber				
39	2x1	168-02	Screw, Bleeding, Knott Caliper				
40	2x4	103-55	HHCS, 5/16-18 x 2.75 Gr5 Zn				
41	1	170-03	Pad Set (4), Brake - Non-Asbestos				
42	2x4	117-03	Nut, Fin Hex 5/16-18 Zn				
43	2x2	168-01	Piston, Knott Caliper				
44	1	165-36	Brake Pad (4) Replacement - Kit				

6.0 Parking Brake

6x6 750 HDi Parts Manual



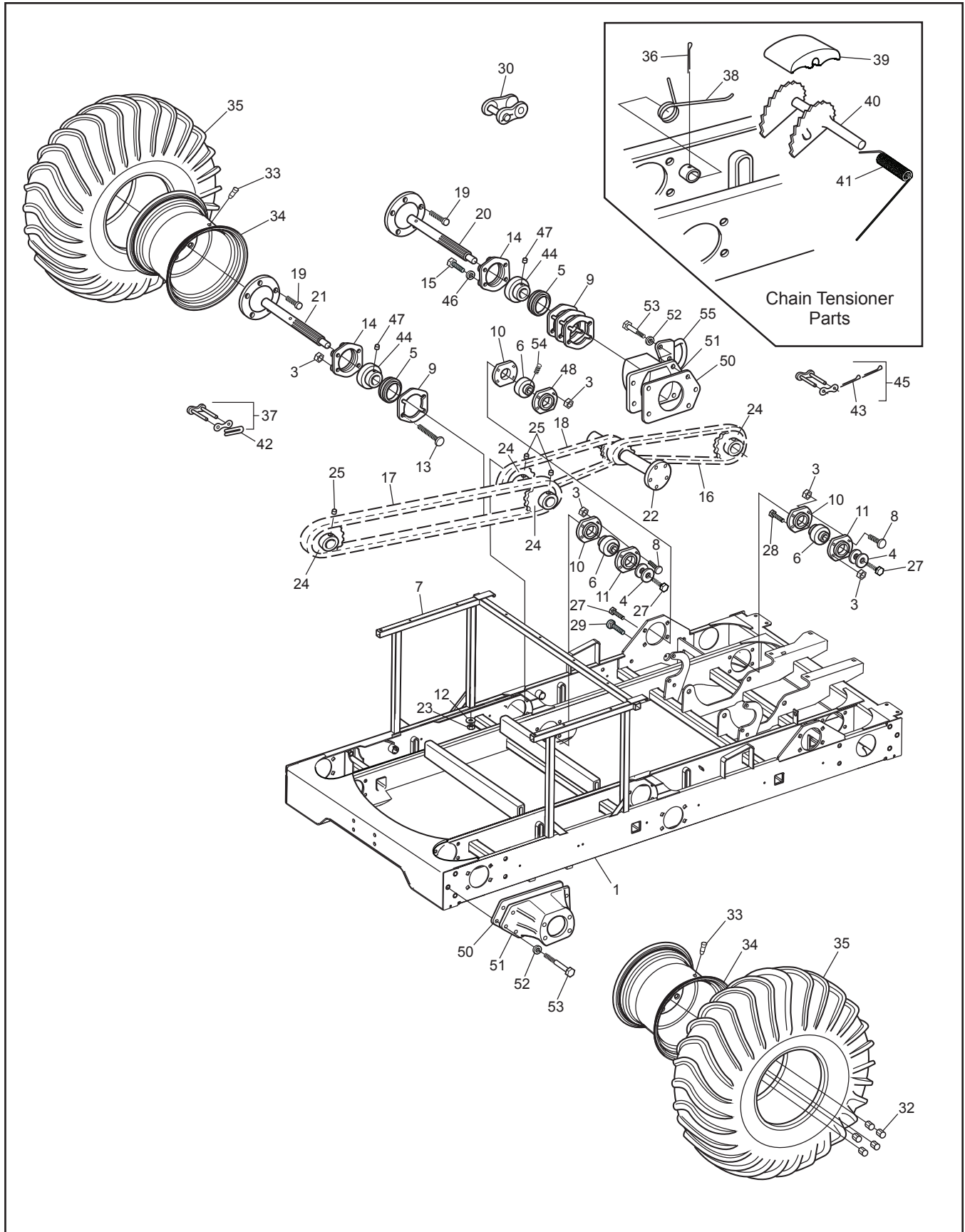
Ref.	Qty.	Part #	Description
1	1	165-52	Rotor, E-Brake
2	1	165-49	Spacer, ID.39 x OD.63 x .295
3	1	165-48	Spacer, ID.39 x OD.63 x .90
4	1	106-29	Retaining Ring SH-0093-PA
5	2	108-05	Lockwasher 5/16 Split-Ring Zn
6	1	112-143	SHCS 5/16 x 1.25 Zn
7	2	112-173	Locknut, #5-40, Zn
8	1	850-81	Cable, Parking Brake
9	1	100-100	Pin, Cotter 1/8x3/4 Zn
10	2	103-06	HHCS 5/16-18x1.0 Gr5 Zn
11	1	104-27	Pin, Clevis 5/16x.75" Zn
12	1	850-79	Pulley, Parking Brake Cable
13	1	112-178	Bolt, Shoulder, 1/2 x 5/8
14	2	112-172	SHCS 5-40 x 3/4 Zn
15	1	108-35	Washer .53 x 1.06 x .09 Zn
16	2	108-24	Washer .34x.70x.06 Zn
17	7	108-47	Washer .39x.94x.13 Zn Di-Chro
18	1	809-147	Lever, Parking Brake
19	1	848-176	Harness, Horn Momentary*
20	1	112-19	Screw,IHWH T/C Slot 1/4-20x1/2*
21	1	112-228	SHCS 5/16-18 x 3.25 Zn
22	2	117-21	Locknut, Nylon 5/16-18 Zn
23	1	848-87	Horn, Electric*
24	1	613-120	Switch, Micro, Lever
25	1	118-52	Fuse, 10A 2-Prong (AT010)*
26	1	848-175	Switch, Horn Momentary*
27	1	103-08	HHCS 1/4-20 x 1.0 Zn
28	1	117-27	Locknut, Nylon 1/4-20 Zn
29	1	165-50	Caliper, Parking Brake, Ass'y(incl. Ref. #'s 30-36)
30	1	165-44	Caliper, Wldt Parking Brake
31	1	165-51	Cam, Caliper, Park Brake
32	1	165-36	Brake Pad Replacement Kit
33	1	127-280	Spring, Extension 3/8" x 1.75"
34	3	117-25	Nut, Conelock 5/16-18
35	2	112-224	Bolt, Shoulder 3/8 x 1.25
36	1	112-223	Bolt, Shoulder 3/8 x 0.38
			*If equipped



6x6 750 HDi Parts Manual

7.0 Vehicle Body & Firewall

Ref.	Qty.	Part #	Description	Ref.	Qty.	Part #	Description
1	1	707-43	Screen - Exhaust	42	26	120-28	Collar, Magna Grip (if equipped)
2	1	601-130	Nameplate, "Argo"	43	1	603-98	Skid Plate, 6x6 - Black
3	2	127-45B	Knuckle, Hinge	44	1	601-124	Body & Hood 6x6 HD 650 (specify colour) (incl. 23, 33, 38)
4	2	127-45A	Pin, Hinge	45	109	120-09	Rivet 3/16 x 1 - Black
5	1	601-103	Tube, Dash Handle, Pass.SD	46	4	103-48	T/S Pan HD PHIL #10 x 5/8
6	1	601-104	Tube, Dash Handle, Drv. SD	47	1	613-37	Terminal Strip, Ground
7	1	126-68	Plate, Operation	48	2	100-114	Gasket, Drain Plug
8	1	707-42	Screen, Intake	49	2	603-15	Washer, Plastic 5/16 Hole
9	1	601-03	Seat, Rear - Left - 6x6 - Black	50	2	108-01	Washer, Fender 1/4 BS x 1.25 OD
	1	601-03CF	Seat, Rear - Left - 6x6 - CF	51	2	103-08	HHCS 1/4-20 x 1.0 Zn
10	1	609-49	Glove Box, Firewall - 6x6 Adm.	52	1	126-60	Vinyl Strip, 1/2" x 1/4" x 37.5'
11	3	117-91	Receptacle, Q-Turn	53	8	108-59	Lockwasher #10 Int. Tooth Zn
12	3	609-42	Firewall, Admiral	54	9	103-47	HHCS 10-24 x 1/2
13	1	601-02	Seat, Rear - Right - 6x6 - Black	55	1	127-221	Label, Shift Warning
	1	601-02CF	Seat, Rear - Right - 6x6 - CF	56	1	104-13	Pin, Toplink - 3/4 x 2.75
14	1	126-67	Plate, Floor Pan	57	1	616-16	Hitch Assembly
15	1	127-173	Plate, Vehicle Capacity	58	1	616-19	Tube, Hitch
16	2	127-01	Reflector, Red	59	4	103-61	HHCS 3/8-24 x 1.5 Gr5 Zn
17	1	803-61	Floor Pan, Rear - Frontier	60	1	104-11	Pin, Lynch - Ring
18	1	127-199	Label, Caution - Dash - HD	61	1	616-20	Gasket, Rear Hitch
19	1	126-69	Plate, Fuel	62	1	626-10	Hitch Kit
20	2	129-06	Nameplate - 6x6 750 HDi	63	2	100-109	Cup Holder Insert
21	2	601-106	Trim, Vinyl - 30" Black	64	1	127-51	Plate, Capacity 6x6
22	2	809-166-15	Seal, 15" Long	65	4	117-24	Locknut, Nylon 3/8-24 Zn
23	1	602-53	Frame Ass'y, Hood - Front	66	4	108-15	Washer .42 x .81 x .05 Zn
24	1	601-05	Bumper, Vinyl - 6x6	67	2	112-51	Screw, IHWH T/C #10-24x5/8
	1	601-129	Bumper, Vinyl - 6x6, Brown - Scout	68	1	613-123	Post, Power, 5/16-18, Red
25	1	803-63	Floor Pan, Front - HDi	69	1	128-26	Grommet, 1-1/2ID x 1-3/4x1/4
26	1	603-99	Body, Lower - Frontier	70	1	127-200	Label, F-N-R-HDi
27	2	100-107	Plug, Drain - Flanged	71	1	127-212	Pivot, Hi-Lo Shifter
28	2	113-12	Insert, 1/2-13	72	1	104-57	Pin, Slotted - .375 x 1.25
29	2	108-35	Washer .53 x 1.06 x .09 Zn	73	1	127-211	Bracket, Hi-Lo Shifter
30	2	112-151	HHCS 1/2-13 x 1" Gr2 Zn	74	1	127-198	Cable, Hi-Lo Shifter
31	33	120-13	Rivet, 3/16 x 3/4 Black	75	1		See Section 10.0 Electrical System
32	1	127-144	Label, Warning - HOT	76	1	601-121	Panel, Dash - 6x6 Adm
33	2	120-15	Rivet - 1/8 x 7/16	77	3	114-24	Retainer, Q-Turn Washer
34	2	602-56	Latch, Hood - Soft Draw	78	1	606-68	Screen, 1 Pc Hood/Scoop
35	1	117-10	Locknut, 10-24 N/I Zn	79	1	129-01	Plate, Geared By ODG
36	9	120-11	Rivet, 5/32 x .157-.472	80	8	112-292	T/S Washer Hd Phil #8x3/4 Blk
37	3	112-199	Stud, Q-Turn - Long	81	34	120-24	Rivet, Alum - 3/32 x 3/8 Black
38	1	602-57	Hood Kit - Frontier & HD (specify colour) (incl. 3, 4, 34, 36, 53, 54)				Note: For ultra chrome add UC to part #
39	2	117-44	T- Nut 1/4-20 Zn				
40	90	120-04	Washer .19 x .50 x .08 Zn				
41	26	120-27	Pin, Magna Grip (if equipped)				



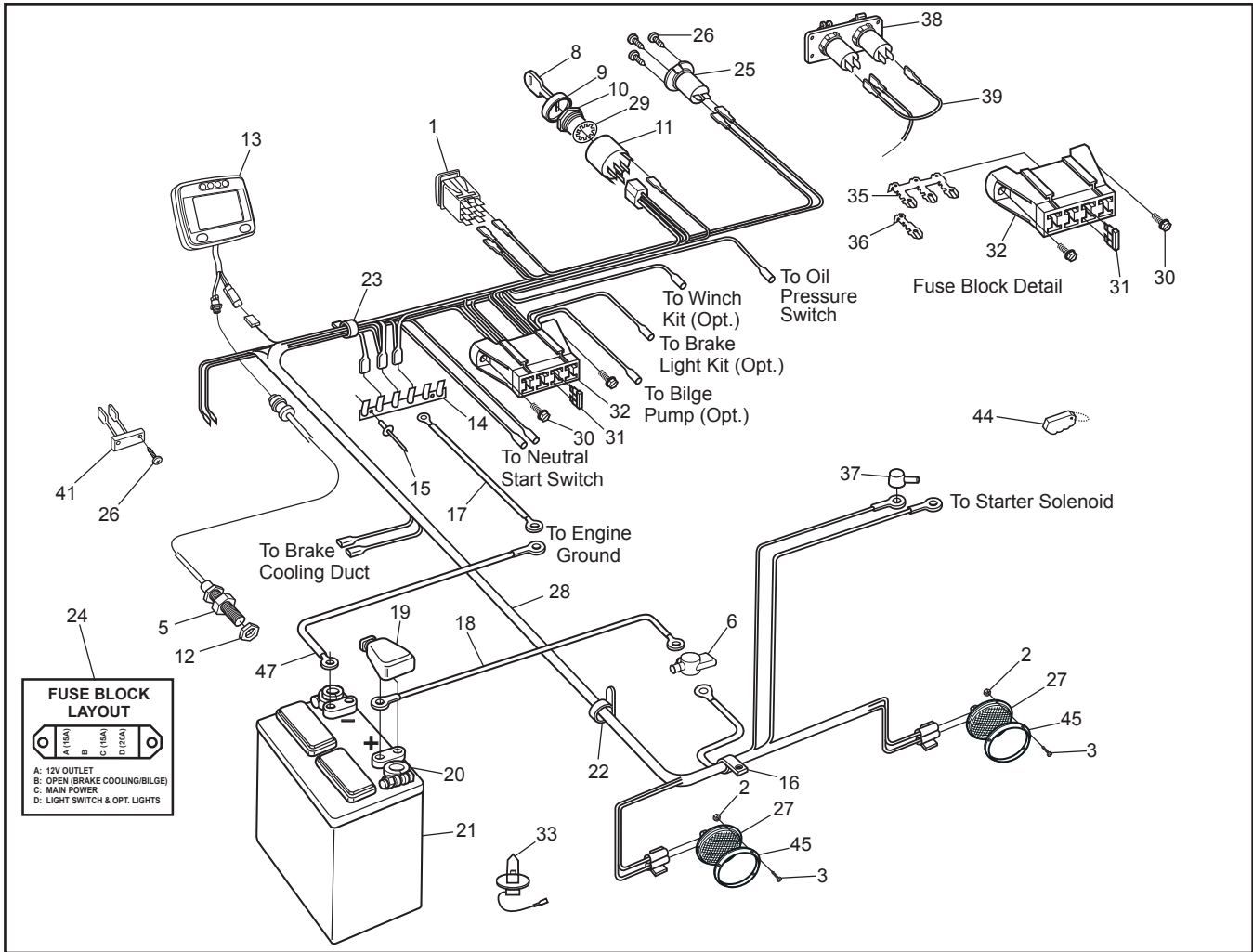
6x6 750 HDi Parts Manual

8.0 Frame and Drive System

Ref.	Qty.	Part #	Description	Ref.	Qty.	Part #	Description
1	1	604-151	Frame Wldt. - 6x6 HD	44	6	101-95	Bearing, Ball -1.25 x 72mm
3	56	117-118	Locknut, Nylon 3/8-16 Flanged	45	2	127-188	Link, Con. #60 Lambda
4	12	108-46	Washer .40 x 1.37 x .12 Hi-Carbon	46	12	108-06	Lockwasher 3/8 Split-RingZn
5	6	606-89	Carrier, Axle Bearing	47	8	112-200	SHSS 5/16-24x5/16 Flat PT
6	8	101-41	Bearing, Ball - 1.0	48	2	606-93	Flange, Greaseable - 90 Deg Hd
7	1	604-154	Frame Wldt, Seat 6x6	50	4	606-25	Gasket - Bearing Extension
8	23	103-88	C/Bolt 3/8-16 x 1.0 Gr5 Zn	51	4	810-112	Bearing Extension w/nuts
9	12	606-90	Gasket, Flange - 72mm	52	20	108-34	Washer .47 x .94 x .06 Zn
10	14	606-91	Flange - 4 Hole Hd	53	20	112-181	HHCS 7/16-20 x 1.5 Gr5 Zn
11	10	606-92	Flange, Greasable - 4 Hole Hd	54	4	112-60	SHSS 1/4-28 x 1/2 Cup Pt.
12	4	108-24	Washer .34x.70x.06 Zn	55	2	642-47	Tie Down Bracket
13	24	112-187	C-Bolt 3/8-16x2.0 Gr5 Zn				
14	6	606-88	Flange Ass'y, Outer Bearing				
15	16	103-68	HHCS 3/8-16 x 2.0 Gr5 Zn				
16	2	606-100	Chain, RC60 - 1 x 40P				
17	2	606-47	Chain, RC60 - 1 x 96P				
18	2	606-101	Chain, RC60 - 1 x 68P				
19	5x6	112-183	Stud, Wheel 7/16-20x1.5				
20	2	810-92	Axle Ass'y - Front/Rear - HD				
21	4	810-113	Axle Ass'y - Mid. - HD				
22			See Section 4.0 Power Pack Assembly				
23	4	117-21	Locknut, Nylon 5/16-18 Zn				
24	8	606-34	Sprocket, S60 x 19T				
25	6	112-03	SHSS 5/16-18 x 3/8 1/2 DOG, PL				
27	10	112-31	HHCS 3/8-16 x 1.0 2B Gr8 Zn				
28	1	103-82	HHCS 3/8-16 x 1.5 Gr5 Zn				
29	4	112-61	C/Bolt 3/8-16 x 1.25 Gr5 Zn				
30		127-80	Link, Half - RC60 - 1 (opt.)				
32	5x6	117-35	Nut, Wheel 7/16-20 Zn				
33	6	125-26	Valve, Tire				
34	6	125-13BL	Rim - 8x7, 5 Bolt - Black				
35	6	127-158	Tire, Argo 24 x 10-8				
36	4	100-01	Pin, Cotter 1/8 x 1.50 Zn				
37	1x6	603-84	Con. Link, RC60-1 H.D.				
38	4	127-65	Spring Torsion - 1.16x0.35				
39	4	606-44	Slider Block				
40	4	606-82	Tensioner Asm, Chain				
41	4	127-64	Spring, Torsion - .76 x 1.9				
42	6	603-96	Spring Clip - RC 60 Closed				
43	4	104-35	Pin, Cotter 2mm x 12mm				

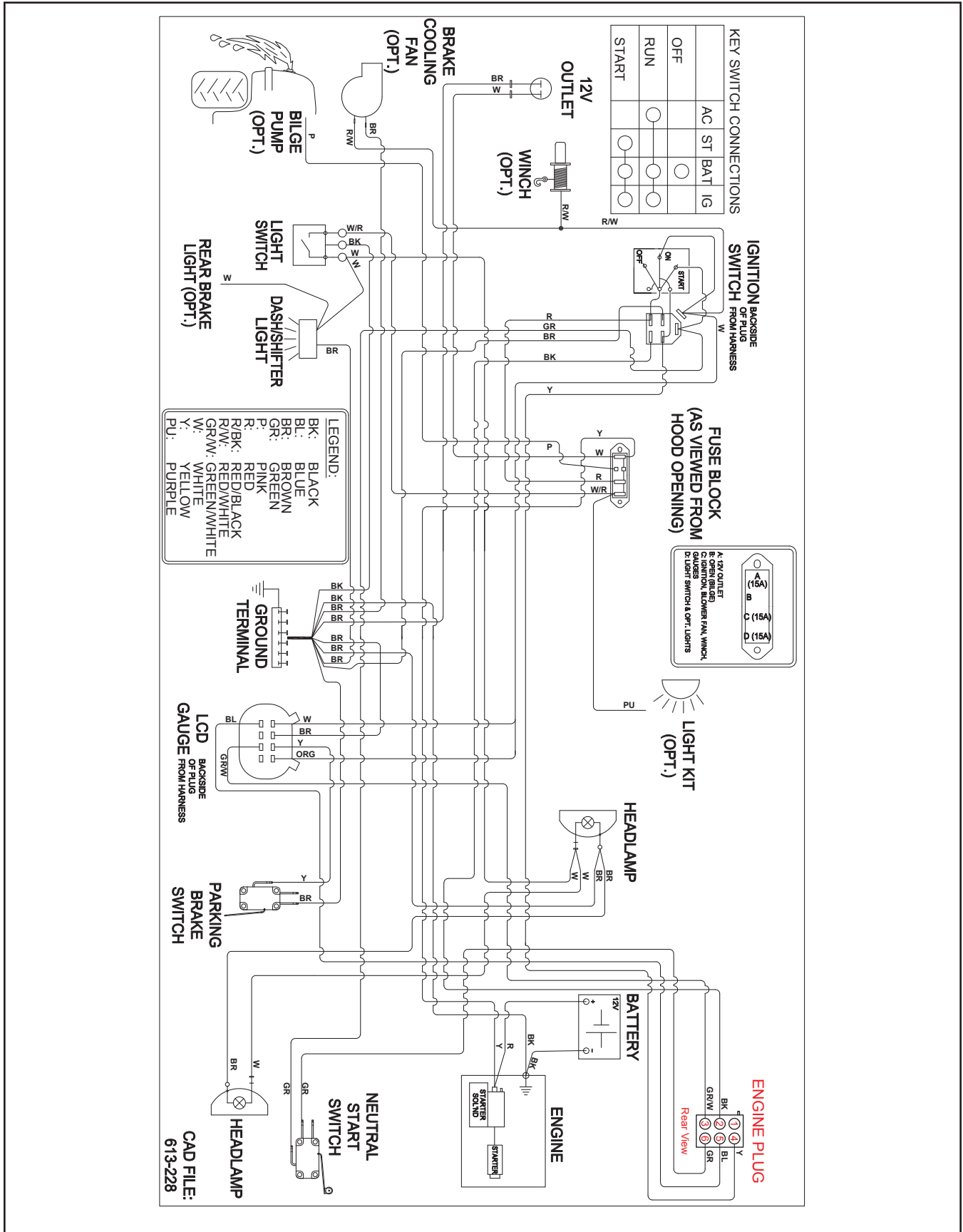
6x6 750 HDi Parts Manual 9.0 Fuel System & Seat Assembly

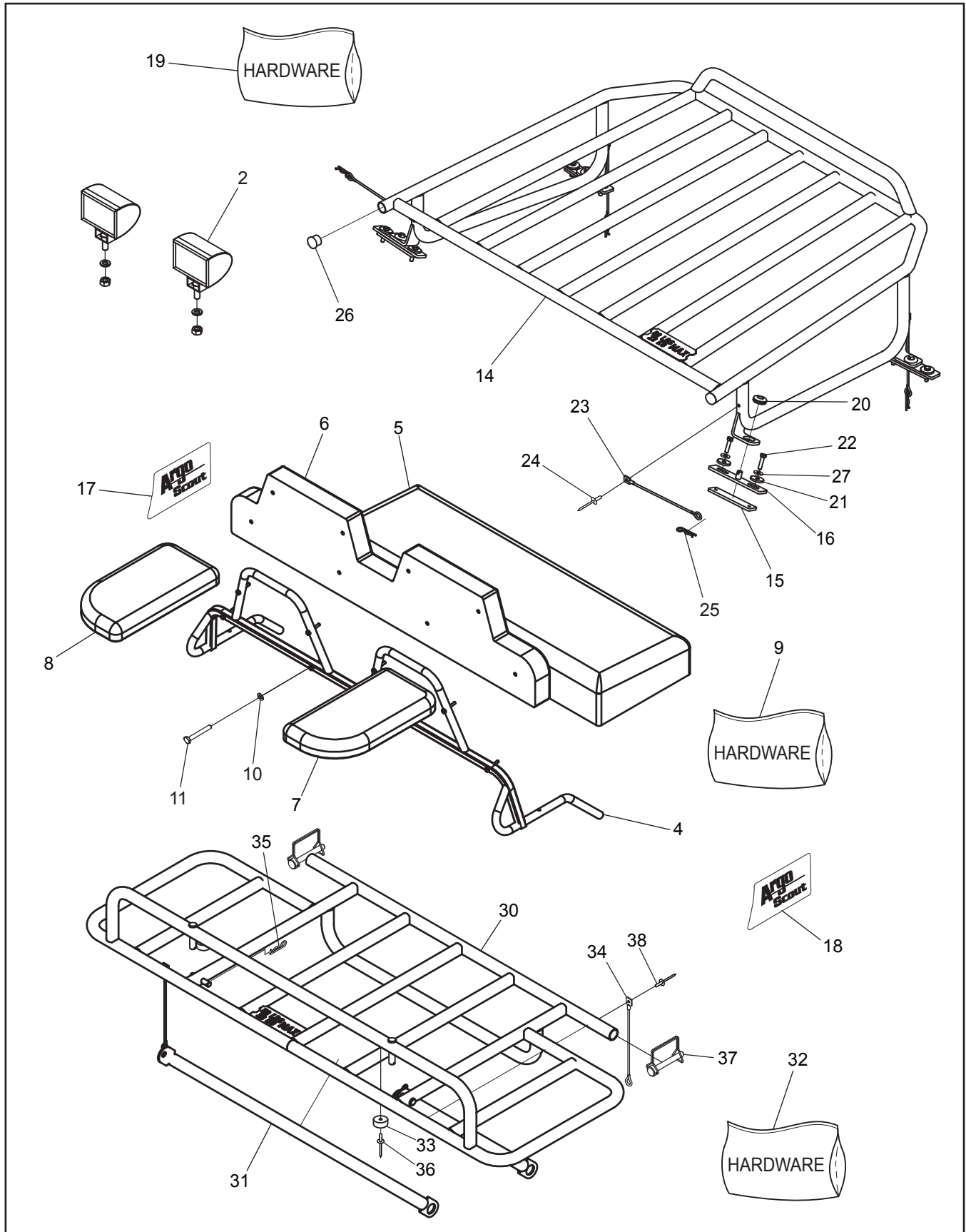
Ref.	Qty.	Part #	Description	Ref.	Qty.	Part #	Description
1	8	108-03	Lockwasher 1/4 Split Ring Zn				
2	1	608-142	Frame Assembly, Seat - 6x6 Adm.	8	1	608-120	United States Vehicle Kit Tank, Fuel Low Permeation
3	4	112-04	HHCS 1/4-20x3/4 Gr2 Zn	1	1	127-273	Plate, Serial Blank Double
4	2	112-78	Clamp, Hose, 9/16	1	1	127-274	Label, U.S EPA EVAP Approval
5	1	608-140	Fuel, Fill Neck Ass'y	53	2	120-24	Rivet, Alum - 3/32 x 3/8 Black
6	1	608-76	Frame Assembly, Backrest				
7	1	608-39	Back Pad Assembly - Black				
	1	608-39	Back Pad Assembly - CF				
8	1	608-122	Tank, Fuel Single Layer	8	1	608-120	California Vehicle Kit Tank, Fuel Low Permeation
9	2	103-77	HHCS, 1/4-28 x 2.0	1	1	127-273	Plate, Serial Blank Double
10	2	117-01	Locknut, Nylon 1/4-28 Zn	1	1	127-274	Label, U.S EPA EVAP Approval
11	1	608-54	Toolbox				
12	1	127-54	See Section 10.0 Electrical System	39	2	120-13	Rivet - 3/16 x 3/4 Black
				53	4	120-24	Rivet, Alum - 3/32 x 3/8 Black
13	1	608-55	Cover, Battery				
14	1	608-88	Seat Assembly, Bench - Thick		1	127-275	Label, Carb EVAP Approval
	1	608-88CF	Seat Assembly, Bench - CF	55	1	126-101RM	Hose, Vent 3/16" ID
15	2	608-81	Hinge, Seat, Bolted	56	1	609-45	Carbon Canister 800cc
16	2	104-43	Pin, 3/16" x 1-1/8"	57	1	609-46	Bracket, Carbon Canister
17	2	126-102	Bumper, Recessed Hole	58	2	609-48	Reducer, Barbed 1/4" to 3/16"
18	1	608-56	Strap, Battery				
19	17	120-09	Rivet 3/16x1 - Black	59	2	127-160-3	Hose, 1/4ID x 3/8OD - 3" Long
20	4	112-79	Clamp, Hose, 1/2" - Red				
21	1	808-133	Reducer, 5/16" to 1/4" Barbed	60	2	120-05	Washer .19x.50x.04 Zn
22	8	120-04	Washer .19 x .50 x .08 Zn				
23	2	100-12	Clamp, Gear 2.25" HF-36				
24	1	125-94	Hose, Filler				
25	10	112-07	RHMS 10-24 x 1.50 Zn				
26	1	126-100	Cap, Fuel				
27	1	127-21	Hose, Vent - 109"				
28	1	609-47	Valve, Rollover				
30	10	108-42	Washer .21 x 1.0x.06 Zn				
31	14	117-10	Locknut, Nylon #10-24 Zn				
32	1	609-50	Clamp, Rollover Valve				
33	9	126-93	Clamp, Nylon Wire - 1/2" ID				
36	2	112-41	PHMS, Phil 1/4-20 x 1.25 Zn				
37	4	103-03	PHMS, Phil 1/4-20 x 1.50 Zn				
38	2	117-64	Insert, 1/4-20 Steel Cad Pltg.				
39	6	120-13	Rivet, 3/16 x 3/4 Black				
40	1	808-123	Plug, Nylon, 1/4 - NPT				
41	2"	608-69RM	Hose, Fuel - 5/16" ID Carb				
42	4	120-31	Rivet, 3/16" x 1/4, Open End				
43	1	608-127	Pick-up, Fuel, 5/16 105 Mesh				
45	1	608-66	Hose, Fuel 1/4" ID, 80"				
50	1	126-60	Vinyl Strip 1/2" x 1/4"				
51	6'	127-160RM	Tubing, 1/4 ID Clear Plastic				



Ref.	Qty.	Part #	Description
1	1	613-153	Switch, Light
2	8	117-93	Nut, Speed #10
3	8	112-198	T/S Pan Hd Phil #10 x 1 Blk.
5	1	613-226	Sensor, Speedo Pickup 1 Pc.
6	1	613-124	Insulator, 2 Way w/cap, Red
7	1	118-30	Terminal, Eye #10
8	2	127-108	Key, Molded
9	1	127-107	Cover, Nut
10	1	127-106	Nut, Flanged - Plastic
11	1	127-105	Switch - Ignition
12	1	117-87	Nut, M12 x 1.25, Zn
13	1	613-130	Gauge, LCD
14	1	613-37	Terminal Strip, Ground
15	2	120-15	Rivet 1/8 x 7/16
16	4	127-24	Clamp, Nylon - 1" ID
17	1	613-14	Wire, Ground - 14"
18	1	613-94	Wire, Positive Battery
19	1	127-55	Cap, Battery Terminal - Red
20	2	127-56	Terminal, Battery Post
21	1	127-54	Battery, Exide 45-60
	1	613-161	Battery, Optima - Argo (Opt.)
22	8	100-64	Tie Wrap - 5.5" - Black

Ref.	Qty.	Part #	Description
23	13	126-93	Clamp, Nylon Wire - 1/2" ID
24	1	127-154	Label, Fuse Panel
25	1	613-90	Outlet, 12 V DC
26	10	112-139	#4 Phil Drive Oval Head Screw, Black
27	2	613-159	Headlight - 3.75W
28	1	613-228	Wire Harness, Kohler EFI
29	1	114-26	Lockwasher, 5/8 Int. Tooth
30	2	112-51	Screw, IHWH T/C #10-24x5/8
31	3	118-49	Fuse, 15 A 2-prong (AT015)
32	1	118-60	Block Fuse - 8 position (4 fuse)
33	2	127-46	Bulb, Headlight - Halogen
35	1	118-63	Terminal, Fuse - Triple
36	5	118-62	Terminal, Fuse - Single
37	3	613-45	Insulator, Terminal (6 ga.)
38	1	118-80	Outlet, 12V & Twin USB (if equip.)
39	1	613-231	Wire Harness, USB (if equip.)
41	3	613-99	Light, Shifter Illumination
44	1	681-00	FOB, Key - Floating
45	2	613-152	Bezel, Headlamp
47	1	613-95	Wire, Negative Battery

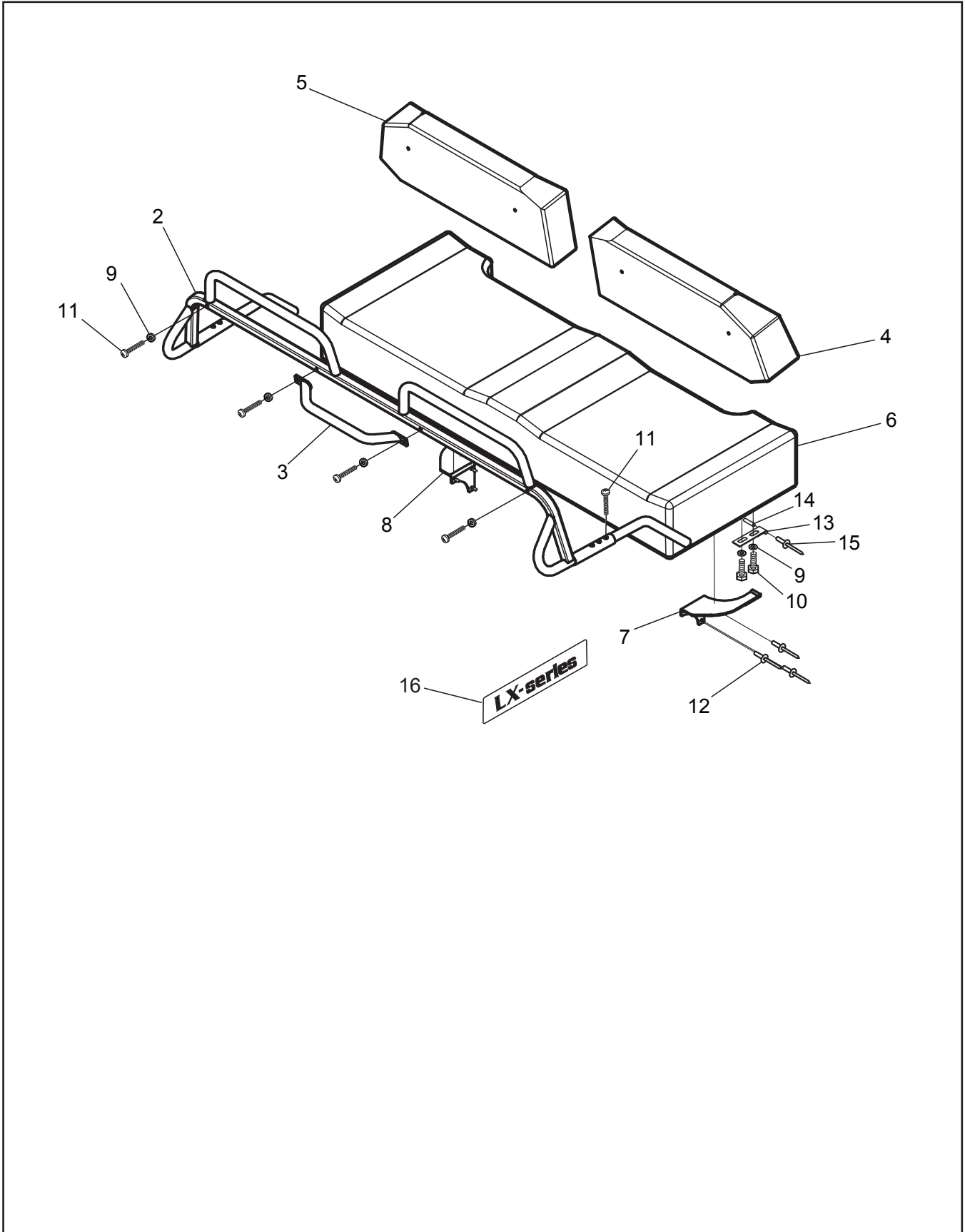




6x6 750 HDi Parts Manual

11.0 Scout Model

Ref.	Qty.	Part #	Description	Ref.	Qty.	Part #	Description
2	2	613-233	Light, Multi Spot, 18W	30	1	850-328	Wldt, Rear Rack, Argo
4	1	850-351	Wldt, Backrest, Scout	31	2	850-367	Support, Rear Rack, Argo
5	1	850-319	Seat, Front Bench, Scout	32	1	850-330HDW	Acc, Rear Rack, Argo, Hardware (incl. Ref. 33-38)
6	1	850-320	Seat, Front Backrest, Scout				
7	1	850-321	Seat, Rear RH - 6x6, Scout	33	2	126-102	Bumper, Recessed Hole
8	1	850-322	Seat, Rear LH - 6x6, Scout	34	2	104-80	Lanyard, 6" Loop, W/Tab
9	1	850-350HDW	Acc, Scout Seating, Hardware	35	2	100-16	Clip, Hitch Pin 1.625 Zn
10	8	108-03	Lockwasher 1/4 Split Ring Zn	36	2	120-13	Rivet, 3/16 x 3/4 Black
11	8	112-297	HHCS 1/4-20 X 1.75 Full Thread	37	2	104-84	Pin, Safety, 3/8 x 2-1/4, Brown
14	1	850-338	Wldt, Hood Rack, Scout	38	2	120-31	Rivet, 3/16" x 1/4", Open End
15	4	958-268	Wldt, Hood Rack Mount - Rear				
16	4	850-339	Plate, Backing, Hood Rack Argo				
17	1	850-353	Nameplate, Argo, Scout LH				
18	1	850-354	Nameplate, Argo, Scout RH				
19	1	850-340HDW	Acc, Hood Rack, Argo, Hardware (incl. Ref. 20-27)				
20	4	127-132	Grommet, Rubber - 1/2" ID				
21	8	108-104	Washer, 0.28ID x 1.0OD x 0.13, Blk				
22	8	112-212	HHCS M6x1x25mm, Black Zn				
23	4	104-80	Lanyard, 6" Loop, W/Tab				
24	4	120-31	Rivet, 3/16" X 1/4", Open End				
25	4	100-16	Clip, Hitch Pin 1.625 Zn				
26	2	639-25	Plug, End - Black				
27	8	108-105	Lockwasher, 1/4 Split, Blk Zn				
				<p>Note: Scout 6x6 trim package also includes the following standard Argo accessories:</p> <ul style="list-style-type: none"> 622-143 Winch 642-80 Brush Guard 638-40 Bilge Pump 848-240 Dual Entry Step 			



6x6 750 HDi Parts Manual

12.0 LX Model

Ref.	Qty.	Part #	Description	Ref.	Qty.	Part #	Description
1	1	608-199	Acc, Prem. Seating, LX 6x6				
2	1	608-186	Wldt, Adj. Backrest, Argo				
3	1	608-187	Wldt, Rear Grab Handle, Argo				
4	1	608-180	Seat, Prem. Back Pad Ass'y, RH				
5	1	608-181	Seat, Prem. Back Pad Ass'y, LH				
6	1	608-182	Seat, Prem. Bench				
7	1	608-195	Wldt, RH Seat Bracket, LX				
8	1	608-197	Wldt, LH Seat Bracket, LX				
9	8	108-03	Lockwasher 1/4 Split Ring Zn				
10	8	112-04	HHCS 1/4-20x3/4 Gr2 Zn				
11	6	103-03	PHMS, Phil 1/4-20 x 1.50 Zn				
12	6	120-09	Rivet -3/16 x 1.0 Black				
13	2	608-81	Hinge, Seat, Bolted				
14	2	104-43	Pin, 3/16" x 1-1/8"				
15	4	120-31	Rivet, 3/16" x 1/4, Open End				
16	1	850-366	Nameplate, LX Series				
				<p>Note: LX Model trim package also includes the following standard Argo accessories:</p> <ul style="list-style-type: none"> 622-143 Winch 642-50 Brush Guard 648-15 Light Bar Kit 638-40 Bilge Pump 624-26 Brake Light Kit 848-240 Dual Entry Step 			

ARGO Products Manufactured by:

Ontario Drive & Gear Limited

220 Bergey Court

New Hamburg, Ontario

Canada N3A 2J5

Phone: (519) 662-2840

Fax: (519) 662-2421

www.argoatv.com

ODG *Dedicated to quality and performance*