

Argo 6x6
Frontier



Argo 6x6

PARTS MANUAL

Frontier 6x6

Frontier 6x6 S

Scout 6x6 S

From Serial # ...18374

Foreword

ODG has prepared this parts manual for the FRONTIER model to assist both qualified mechanics and vehicle owners in ordering correct, quality replacement ARGO parts. For the most current parts manual visit our website at www.argoatv.com.

Proper and regular service, and replacing old, worn or broken parts with the correct ARGO replacement parts, are both essential to prolonging the life of the ARGO. Please refer to this parts manual and/or our website www.argoatv.com before ordering any replacement part.

All information contained in this FRONTIER Parts Manual is based on the latest product specification available at time of printing. If your FRONTIER differs from the specifications contained in this manual, check our website www.argoatv.com for the most current information.

ODG reserves the right to alter specifications on the FRONTIER model at any time, without obligation or prior notification.

Reproduction of this FRONTIER Parts Manual, in whole or in part, is prohibited without prior written permission from Ontario Drive & Gear Limited.

Vehicle Identification

FRONTIER - Serial Nos. ...18374

Explanation of Parts Manual Format

- Ref** - Reference number between assembly diagram and component parts list
- Part No.** - Argo replacement part number for identification and re-ordering
- Description** - Part description for identification and re-ordering
- Qty** - Indicates the quantity of a part used in an assembly

Argo 6x6 Frontier



Using the Parts Manual

1. Find the major vehicle assembly in the Table of Contents on this page, and turn to that section.
2. Locate the part in the illustration that you wish to order.
3. Refer to the parts list in that section.
4. Find the correct part number (Part No.), part description (Description) and correct quantity (Qty).
5. Use *only* this information to order ARGO replacement parts. **DO NOT** attempt to order a replacement part by reference number or page number.

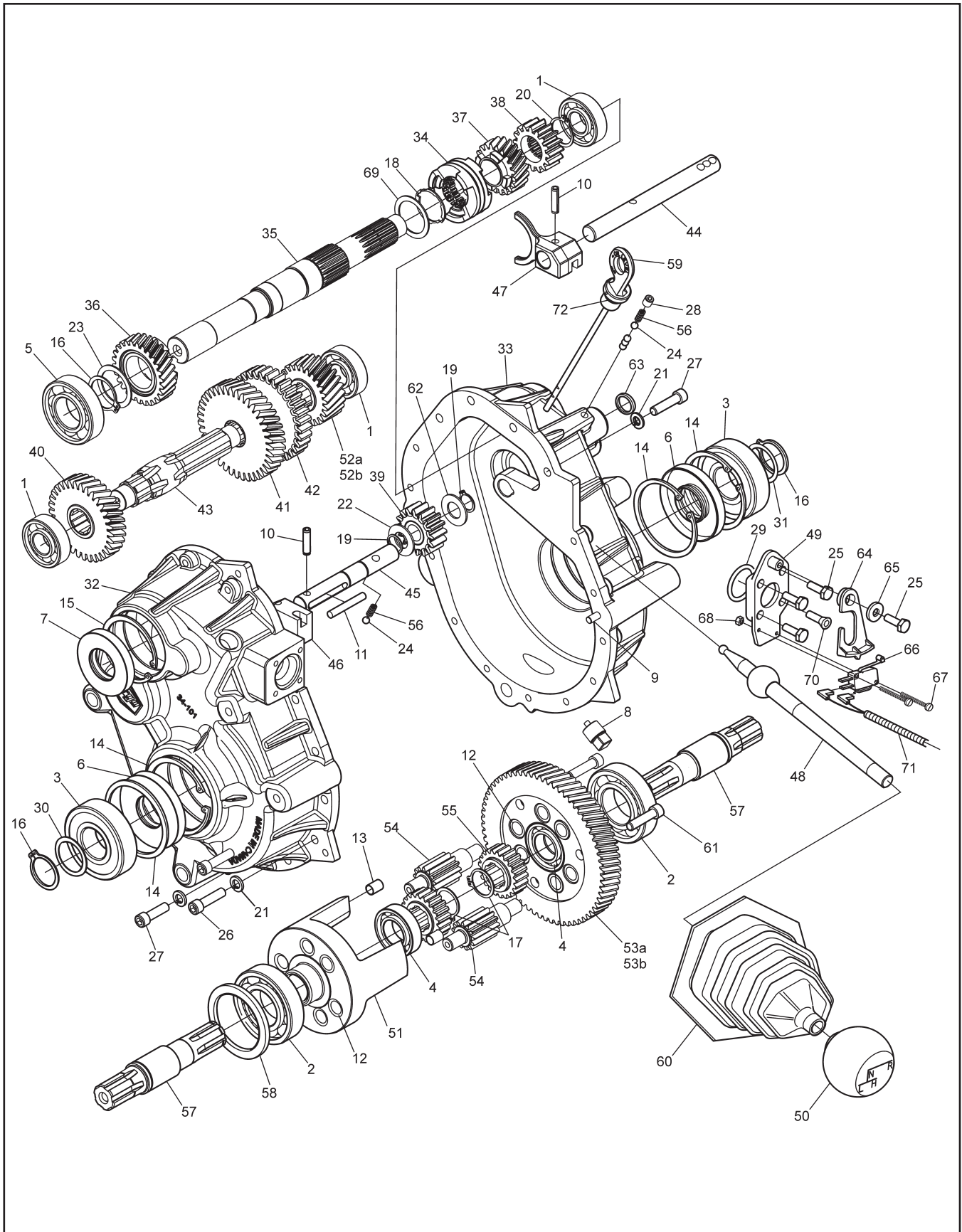
Table of Contents

Foreword	i
Vehicle Identification.....	i
Using the Parts Manual	ii
1.0 Transmission	2
2.0 Intake and Exhaust System.....	4
3.0 Clutch System	6
4.0 Power Pack Assembly	8
5.0 Steering & Brake System	10
6.0 Parking Brake	12
7.0 Vehicle Body & Firewall.....	14
8.0 Frame & Drive System	16
9.0 Fuel System & Seat Assembly	18
10.0 Electrical System	20
11.0 Scout Option.....	22
622-142/143 Winch	24
624-10 Brake Tailights	25
638-40 Bilge Pump	26
642-50 Brush Guard	27
848-240 Entry Step.....	28
850-255 CE Accessory	29
850-330 Rear Rack	30

Frontier 6x6 Parts Manual

Frontier 6x6 Vehicle Matrix

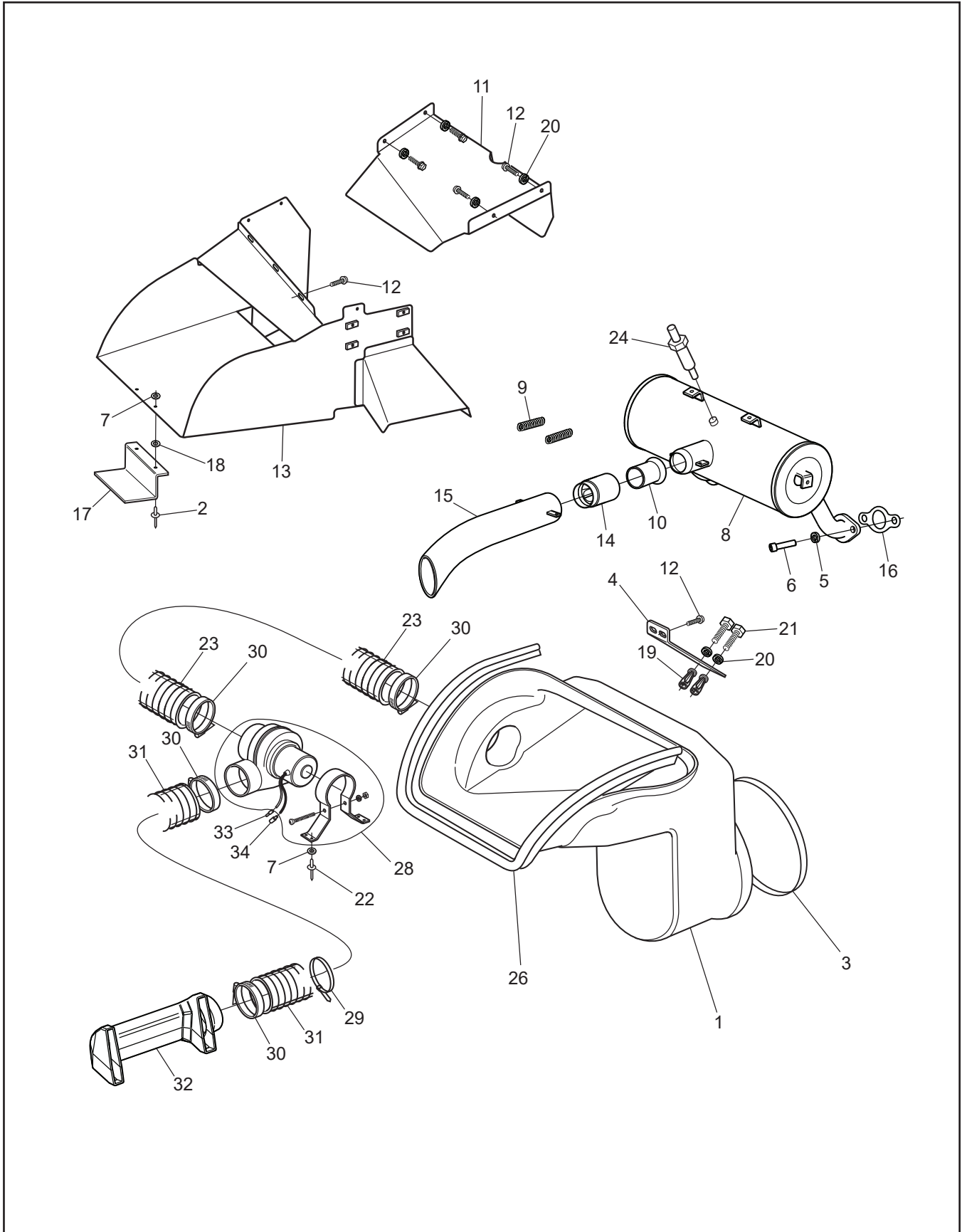
Old Model	6x6 Frontier EFI	6x6 Frontier EFI	6x6 Frontier EFI	6x6 Frontier EFI
Model	Frontier 6x6	Frontier 6x6 SE	Frontier 6x6 S	Frontier 6x6 Scout S
Accessory				
810-128 Bearing Extensions		Yes	Yes	Yes
638-40 Bilge Pump			Yes	Yes
127-134 Brake Duct			Yes	Yes
624-10 Brake Lights				Yes
642-50 Brushguard				Yes
Build Package				Scout
Drive Belt	127-159		127-159	127-159
Engine	19 HP	19 HP	23 HP	23 HP
848-240 Entry Step			Yes	Yes
850-340 Front Cargo Rack				Yes
Seats				Wilderness
663-12 Skid Plate		Yes	Yes	Yes
Tires	24 Argo	24 Argo	24 Argo	24 Argo
Transmission	Standard	Standard	Standard High Torque	Standard High Torque
622-143 Winch				Yes



Frontier 6x6 Parts Manual

1.0 Transmission

Ref.	Qty.	Part #	Description	Ref.	Qty.	Part #	Description
	1	34-100	Transmission Assembly	40	1	34-109	Gear, Helical - HI 12DP 33T
	1	34-100-3.3	Transmission Assembly	41	1	34-110	Gear, Helical - LOW 12DP 39T
1	3	101-01	Bearing, Ball 6204Z-C3	42	1	34-111	Gear, Reverse - 10DP 33T
2	2	101-03	Bearing, Ball 6207-C3	43	1	34-112	Shaft, Spline
3	2	101-05	Bearing, Ball 6306LLU-C3/2A	44	1	34-113	Shaft, Shift - Forward
4	2	101-15	Bearing, Ball 6005-C3	45	1	34-114	Shaft, Shift - Reverse
5	1	101-16	Bearing, Ball 6206-C3	46	1	34-115	Block, Shift
6	2	102-03	Seal,Oil WBS 30x72x10 NB D/LIP	47	1	34-116	Fork, Shift
7	1	102-05	Seal,Oil WBS 30x62x10 NB D/LIP	48	1	34-117	Lever, Shift
8	1	103-02	Plug, Magnetic 3/8-18NPT SQ.HD	49	1	34-131	Plate, Shifter
9	2	104-03	Pin, Dowel 1/4x7/8	50	1	34-121	Knob, Shift - w/Argo Logo
10	2	104-39	Pin, Spring - 1/4 x 1.0	51	1	34-122	Cage, Differential
11	1	104-40	Pin, Dowel - 1/4 x 1.75	52a	1	34-123	Pinion, Helical - 25T - 2.6
12	12	105-03	Bushing, Oilite - 1/2x3/4	52b	1	34-125	Pinion, Helical - 21T - 3.3
13	3	105-23	Bushing, Dowel - .312 x .5	53a	1	34-124	Gear Plate - 66T - 2.6
14	4	106-03	Retaining Ring HO-281PA	53b	1	34-126	Gear Plate - 70T - 3.3
15	1	106-05	Retaining Ring HO-244-PA	54	6	34-13	Gear, Planet - 12T
16	3	107-02	Retaining Ring SH-0118-PA	55	2	34-14	Gear, Sun - 21T
17	2	107-04	Retaining Ring SH-0098-PA	56	2	34-32	Spring, Comp. 0.22x.50
18	1	107-14	Retaining Ring LC-125-PA	57	2	34-98	Shaft, Output - Splined
19	2	107-11	Retaining Ring	58	1	114-01	Washer, Shim 2.25 x 2.81 x .02
20	1	107-15	Retaining Ring SHR-098-PA	59	1	CE-035	Dipstick - with Breather - 190mm
21	15	108-05	Lockwasher 5/16 Split Ring Zn	60	1	609-38	Boot, Shifter
22	1	108-78	Washer, Thrust	61	3	112-64	SHCS, 5/16-18 x 1.25
23	1	108-79	Washer, Thrust	62	1	108-88	Washer, Retaining Thrust
24	5	109-05	Ball, Steel 6mm 62-67 Rc	63	1	113-16	O-Ring #AS568-014-70BN 5/8"OD x 1/2"ID x 1/16" Thk
25	4	112-04	HHCS 1/4-20x3/4 Gr2 Zn	64	1	34-132	Follower, Neutral Start
26	14	112-143	SHCS 5/16 x 1.25 Zn	65	1	108-08	Washer, .28 x .62 x .07 Zn
27	1	112-144	SHCS 5/16 x 1.0 Zn	66	1	809-202	Switch, Limit - Two Pole
28	1	112-145	SHSS 5/16 - 18 X 3/8	67	2	112-172/PI	SHMS, #5-40x3/4 Zn
29	1	113-11	O-Ring #AS568-216-70BN	68	2	112-173/PI	Locknut, #5-40 Zn
30	1	114-04	Washer, Shim 1.19x1.50x.04	69	1	108-85	Washer, Retaining Thrust
31	1	114-05	Washer, Shim 1.19x1.50x.02	70	1	112-171	FHSC 1/4-20 x 3/4 Gr2 Zn
32	1	34-101	Housing, Transmission - L	71	1	613-112	Wire Harness, Neutral Start
33	1	34-102	Housing, Transmission - R	72	1	161-28	O-Ring, 3mm CS x 12mm ID
34	1	34-127	Clutch, Dog				
35	1	34-130	Shaft, Input - 19/15T Spline				
36	1	34-128	Pinion, Helical - HI 12DP 26T				
37	1	34-129	Pinion, Helical - LO 12DP 20T				
38	1	34-107	Pinion, Reverse - 10DP 16T				
39	1	34-108	Gear, Idler - Rev - 10DP 16T				

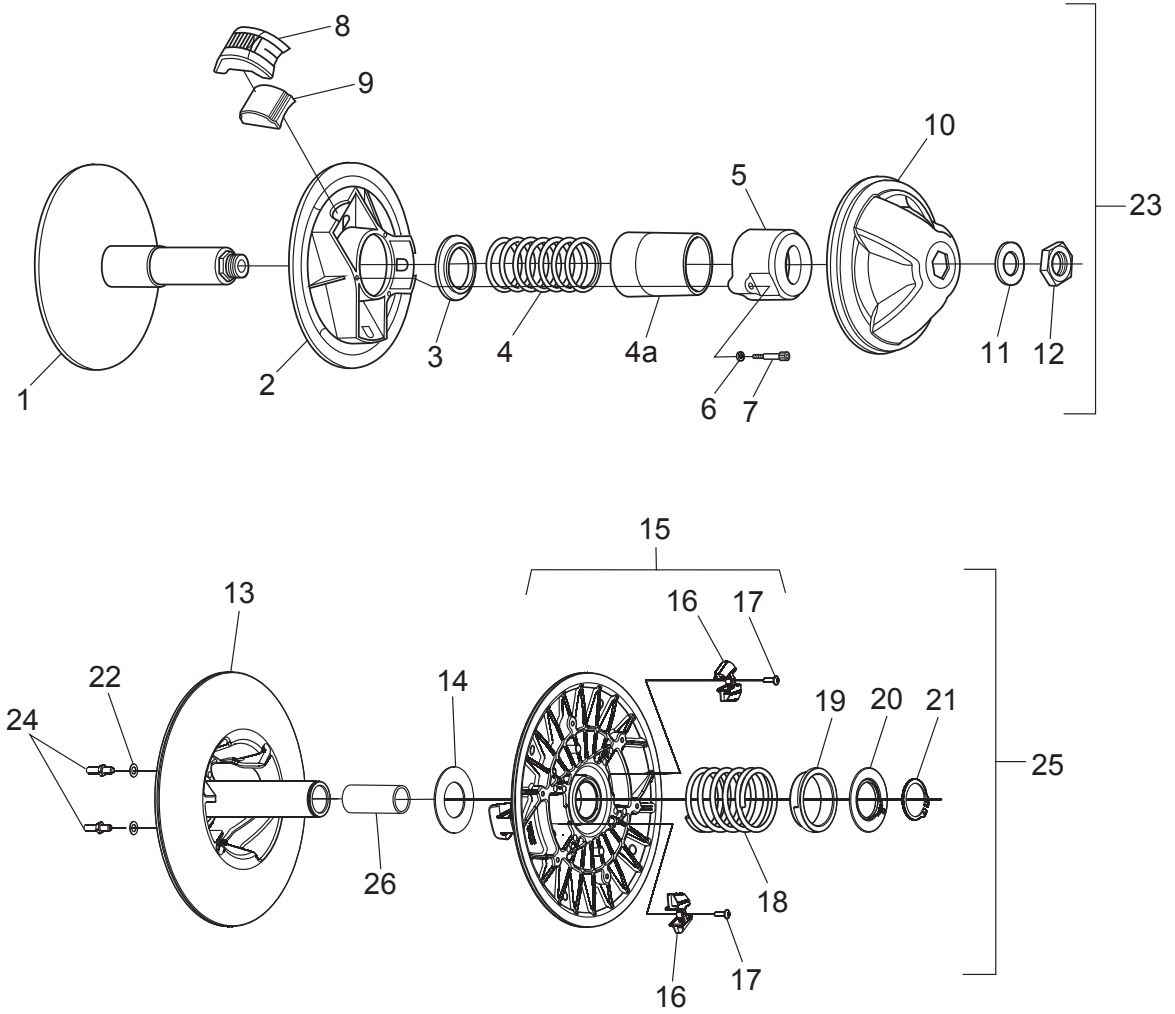


Ref.	Qty.	Part #	Description
1	1	809-15	Duct, Intake - Frontier
2	2	120-31	Rivet, 3/16 x 1/4". Open End
3	1	807-77-30	Seal, Radiator, 30
4	1	707-55	Bracket, Intake Duct - Frontier EFI
5	4	108-02	Lockwasher 5/16 Hi-Collar Bare
6	4	117-73	Nut, M8 x 1,25 Zn
7	4	120-04	Washer, .19 x .50 x .08 Zn
8	1	607-121	Muffler Ass'y, Avenger EFI
9	2	127-187	Spring, Extension - 17/32 x 3.75
10	1	607-135	Tube, Muffler, Flared x 2.0
11	1	607-210	Shield, Heat, Frontier EFI
12	9	112-19	Screw, IHWH T/C Slot 1/4-20 x 1/2
13	1	607-164	Duct, Exhaust - Frontier
14	1	607-126	Spark Arrester, 1.75 Dia.
15	1	607-134	Pipe, Tail Asy
16	2	24 041 49	Gasket, Exhaust Manifold
17	1	707-45	Support, Exhaust Duct
18	2	125-58	Washer, Fibre - W-77F
19	2	117-53	Nut, Jack 1/4-20 8L-JNS Zn
20	6	108-03	Lockwasher 1/4 Split Ring Zn
21	2	103-97	HHCS 1/4-20 x 1.25 Gr5 Zn
22	4	120-09	Rivet, 3/16 x 1.0 Black
23	1	127-140	Hose, Brake Fan Inlet
24	1		See Section 4.0 Power Pack Assembly
26	1	807-77-86	Seal, Radiator, 86"
28	1	127-184	Blower Fan*
29	1	100-102	Tie Wrap, 14" - White*
30	4	125-35	Clamp, Gear 3.50" HF-52*
31	1	127-139	Hose, Brake Fan Discharge*
32	1	127-134	Duct, Brake Cooling*
33	1	118-02	Terminal, Male #76-1251*
34	1	118-03	Terminal, Female #76-1289*

* If equipped

3.0 Clutch System

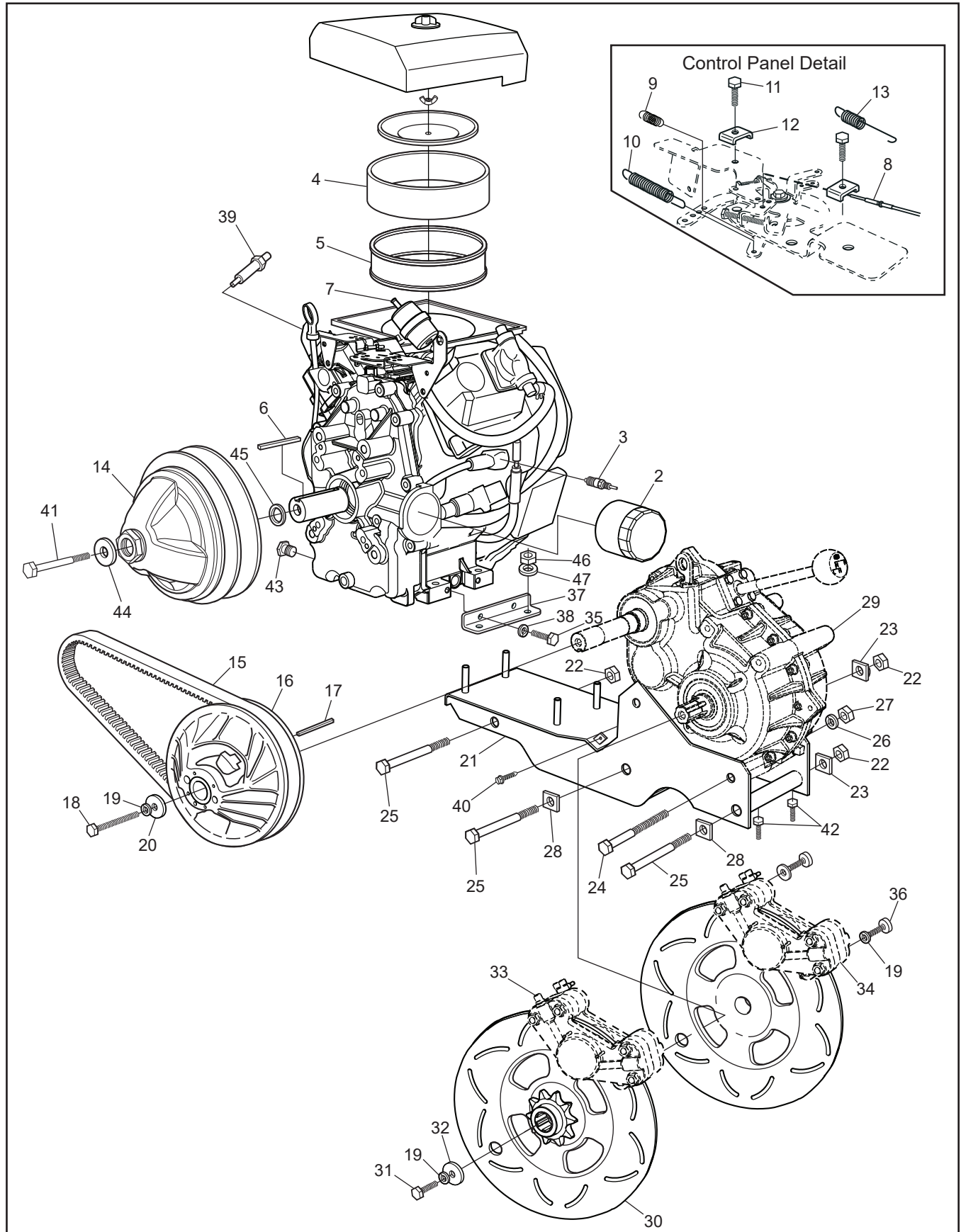
Frontier 6x6 Parts Manual



Ref.	Qty.	Part #	Description
1	1	0405-0139	Flange, Fixed - 6x6 Frontier EFI (19 hp)
	1	0405-0138	Flange, Fixed - 6x6 Frontier EFI (23 hp)
2	1	0410-0033	Flange, Sliding
3	1	0150-1014	Spring Guide Washer
4	1	1151-1114	Spring
4a	1	0450-3002	Guide, Spring
5	1	0440-0005	Spring Cover
6	3	0080-0167	Lockwasher
7	3	0080-0021	Screw, Cap
8	3	0130-3012	Block
9	3	0135-3065	Weight (275gr) - 6x6 Frontier EFI (610-126 & 610-129)
	1	127-208	Weight Set (3), 185g - High Elevation (See Bulletin NP #5)
	1	127-209	Weight Set (3), 220g - High Elevation (See Bulletin NP #5)
	1	127-210	Weight Set (3), 240g - High Elevation (See Bulletin NP #5)
10	1	0115-2061	Cap
11	1	0080-0804	Washer, Zn
12	1	V16J1	Nut
13	1	5905-0003	Flange, Fixed
14	1	0080-0164	Washer, Shim
15	1	5910-0002	Flange, Sliding
16	2	5930-3001	Cam Shoe
17	2	0080-0031	Screw
18	1	5951-1009	Spring
19	1	5950-3003	Spring Protector
20	1	5950-3002	Spring Support
21	1	0080-0216	Retaining Ring, Outside
22	2	0080-0167	Lockwasher
23	1	610-129	Clutch, Driver - 6x6 Frontier EFI (19 hp)
	1	610-126	Clutch, Driver - 6x6 Frontier EFI (23 hp)
24	2	0080-0035	Screw & Nut Ass'y
25	1	127-156	Clutch, Driven - INVANCE
26	1	5940-2001	Keyway Stopper

4.0 Power Pack Assembly

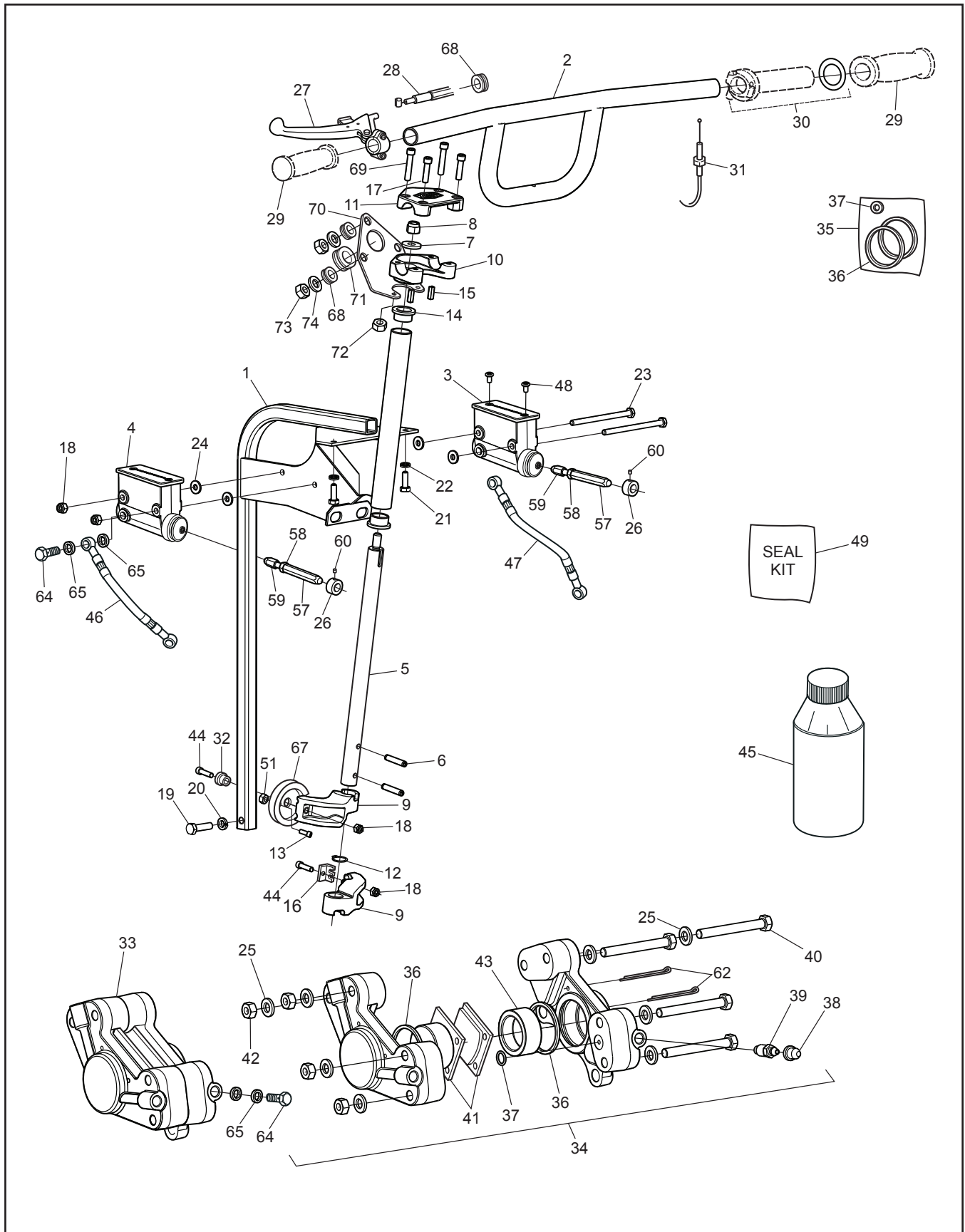
Frontier 6x6 Parts Manual



Frontier 6x6 Parts Manual

4.0 Power Pack Assembly

Ref.	Qty.	Part #	Description	Ref.	Qty.	Part #	Description
1	1	ECH730-3044	Engine, Kohler 23HP EFI	33			See Section 5.0 Steering & Brake System
	1	ECH630	Engine, Kohler 19HP EFI (Opt.)	34			See Section 5.0 Steering & Brake System
2	1	12 050 01	Filter, Oil - Kohler				
3	2	25 132 12	Sparkplug 3071	35	2	112-20	HHCS M8x1,25x25mm Zn
4	1	24 083 05	Prefilter, Air ECH730	36	4	103-41	SHCS 3/8-16 x 1.25 Zn
5	1	24 083 03	Filter, Air ECH730	37	1	610-134	Brkt, Powerpack - Side Mnt
6	1	110-18	Key 1/4 x 1/4 x 1.75 RC45	38	2	108-05	Lockwasher 5/16 Split-Ring Zn
7	1	25 050 42	Filter, Fuel				
8	1	612-101	Cable Asm, Throttle- FRN/AVG	39	1	25 418 07	Sensor, Oxygen 4 Wire
9	1	24 089 51	Spring, Throttle	40	2	103-71	Screw, IHWH T/C 1/4-20 x 1.25
10	1	24 089 46	Spring, Governor				
11	1	M-545016	Screw	41	1	112-160	HHCS, 7/16-20 x 5" Lg
12	1	12 237 01	Clamp, Cable	42	2	103-53	HHCS 3/8-16 x 3.0 Full Thread
13	1	127-49	Spring, Extension - .375 x 2.55				
14			See Section 3.0 Clutch System	43	1	112-156	Plug, Oil Drain 3/8-18NPT Hex
15	1	127-159	Drive Belt - Frontier - 11.3" Cen. Dist	44	1	108-58	Washer .47 x 1.37 x .12 Hi-Carbon
	1	127-159HD	Drive Belt -Frontier -Heavy Duty (Opt.)	45	1	108-84	Washer, Engine, Clutch
16			See Section 3.0 Clutch System	46	4	117-29	Locknut, Nylon 3/8-16 Zn
				47	4	108-15	Washer, .42 x .81 x .05 Zn
17	1	110-03	Key 1/4 x 3/16 x 2.375 RC46				
18	1	112-164	HHCS 3/8-16 x 3.50 Gr5 Zn				
19	7	108-06	Lockwasher 3/8 Split Ring Zn				
20	1	108-46	Washer .40 x 1.37 x 1.2 Hi-Carbon				
21	1	610-131	Frame, Power Pack FR EFI				
22	3	117-83	Locknut, Stover 5/8-11 Zn				
23	2	811-09	Washer, Square - .64 ID				
24	2	103-20	HHCS 1/2-13 x 6.5 Gr5 Zn				
25	3	112-58	HHCS 5/8-11 x 7.5 Gr5 Zn				
26	2	108-107	Lockwasher 1/2" High Alloy				
27	2	117-06	Nut, Fin Hex 1/2-13 Zn				
28	2	811-15	Washer, Square Lock .64 ID				
29			See Section 1.0 Transmission				
30	2	606-74	Disc, Brake-Splined #60-10T				
31	2	103-18	HHCS 3/8-24 x 1.25 Gr5 Zn				
32	2	108-18	Washer .40 x 1.37 x .12 Zn				



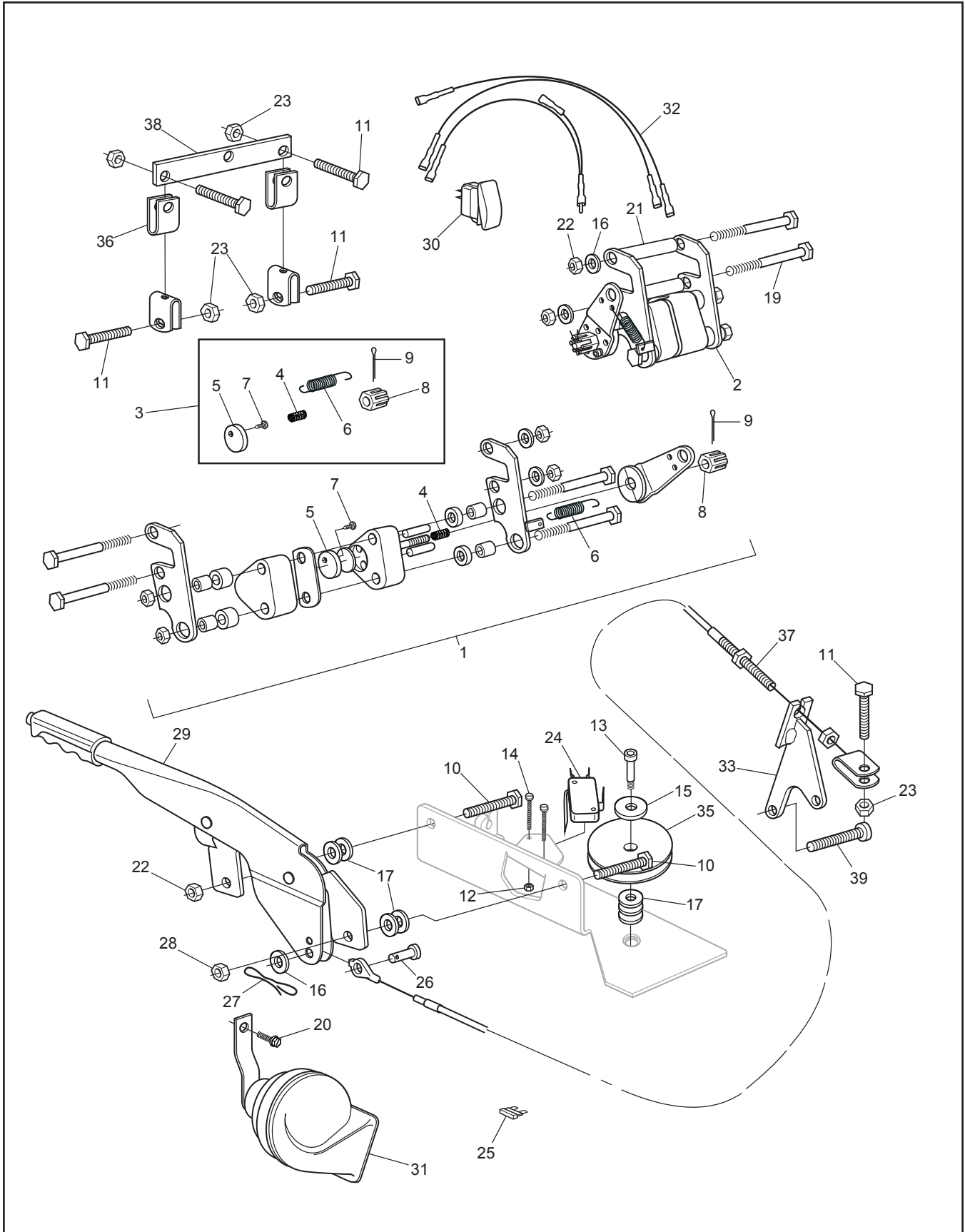
Frontier 6x6 Parts Manual

5.0 Steering & Brake System

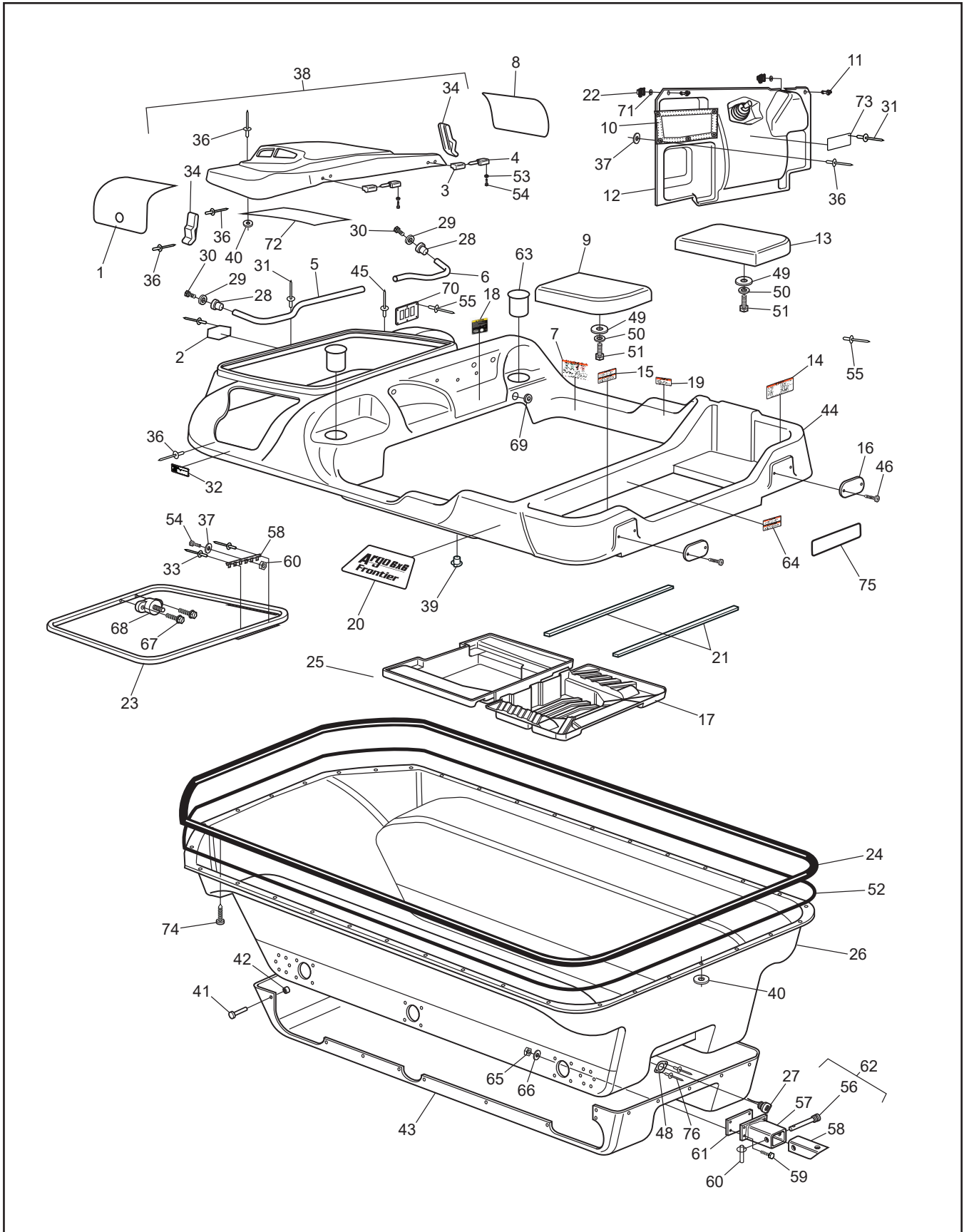
Ref.	Qty.	Part #	Description	Ref.	Qty.	Part #	Description
1	1	612-123	Frame Assembly, Steering Column	44	2	112-159	BHCS, 1/4-20 x 1.0, Plated
2	1	612-107	Handlebar Assembly	45		126-19	Fluid, Brake-Silicon
3	1	165-58	Master Cylinder, RH Wilwood				Dot 5 - .35L
4	1	165-57	Master Cylinder, LH Wilwood	46	1	163-06	Hose Asm, Hydraulic - Right - SS
5	1	612-128	Shaft, Steering - Avenger	47	1	163-05	Hose Asm, Hydraulic - Left
6	2	104-42	Pin, Spring 1/4 x 1.5"	48	2x2	160-42	Screw, FHMS
7	1	108-47	Washer, .39 x .94 x .13 Zn Di-chr				M5 x 0,8 x 6mm
8	1	117-29	Locknut, Nylon 3/8-16 Zn	49	1	165-37	Piston Seal Kit - Wilwood
9	2	612-124	Arm, Steering	51	1	117-10	Locknut, 10-24 N/I Zn
10	1	612-106	Clamp, Lower Handlebar	57	2	812-30	Pin, Female
11	1	612-105	Clamp, Upper Handlebar	58	2	117-03	Nut, Fin Hex 1/4-20 Zn
12	1	106-07	Ring, Retaining SH-0075PA	59	2	812-31	Pin, Male
13	1	160-46	SHCS, #10-24 x 3/8"	60	2	112-02	SHSS 10-24x1/4 Knurl Cup PT, PL
14	2	105-16	Bushing, Oilite - 3/4 x 1/2	62	2x2	168-07	Pin, Cotter 1/8 x 3.00 Zn
15	2	110-17	Key, 3/16 x 3/16 x .625	64	4	160-44	Bolt, Banjo - M10 x 1,0 x 21,0
16	1	128-24	Retainer, Handbrake Cable	65	8	160-01	Washer, Copper - 1,5 x 10,0 x 14,0
17	2	112-47	SHCS, 1/4-20 x 1.0 Zn	67	1	165-18	Pulley, Handbrake Cable
18	4	117-27	Locknut, Nylon 1/4-20 Zn	68	4	125-84	Grommet, Rubber
19	1	103-38	HHCS 5/16-18 x 1.25 Gr5 Zn	69	2	103-69	SHCS 1/4-20 x 1.5 Zn
20	1	108-05	Lockwasher 5/16 Split-Ring Zn	70	1	612-132	Bracket, LCD Gauge - Painted
21	2	112-04	HHCS 1/4-20 x 3/4 Gr2 Zn	71	1	128-27	Grommet 1-1/4ID x 1-1/2x3/32
22	2	108-03	Lockwasher 1/4 Split Ring Zn	72	2	117-86	Nut, Acorn, 1/4-20 Zn
23	2	103-66	HHCS, 1/4-20 x 4.0 Gr5 Zn	73	3	117-85	Nut, Acorn, M5 Zn
24	4	108-08	Washer, .28 x .62 x .04 Zn	74	3	120-04	Washer .19 x .50 x.08 Zn
25	2x8	108-24	Washer, .34 x .70 x .06 Zn				
26	2	812-17	Collar				
27	1	128-17	Lever Assembly, Handbrake, Spring				
28	1	128-21	Cable Assembly, Handbrake				
29	2	127-35	Grip, Molded				
30	1	127-81	Throttle Twist Grip				
31	1	612-101	Cable Asm., Throttle - Frontier				
32	1	105-25	Bushing, Flange Oilite FF-310				
33	1	166-12	Caliper, Hydraulic Brake - L				
34	1	166-13	Caliper, Hydraulic Brake - R				
35	2	161-05	O-ring Kit, Knott Caliper				
36	4		Seal, Piston				
37	2		Seal, Rubber				
38	2x1	168-20	Plug, Rubber				
39	2x1	168-02	Screw, Bleeding, Knott Caliper				
40	2x4	103-55	HHCS, 5/16-18 x 2.75 Gr5 Zn				
41	1	170-03	Pad Set (4), Brake - Non-Asbestos				
42	2x4	117-03	Nut, Fin Hex 5/16-18 Zn				
43	2x2	168-01	Piston, Knott Caliper				

6.0 Parking Brake

Frontier 6x6 Parts Manual



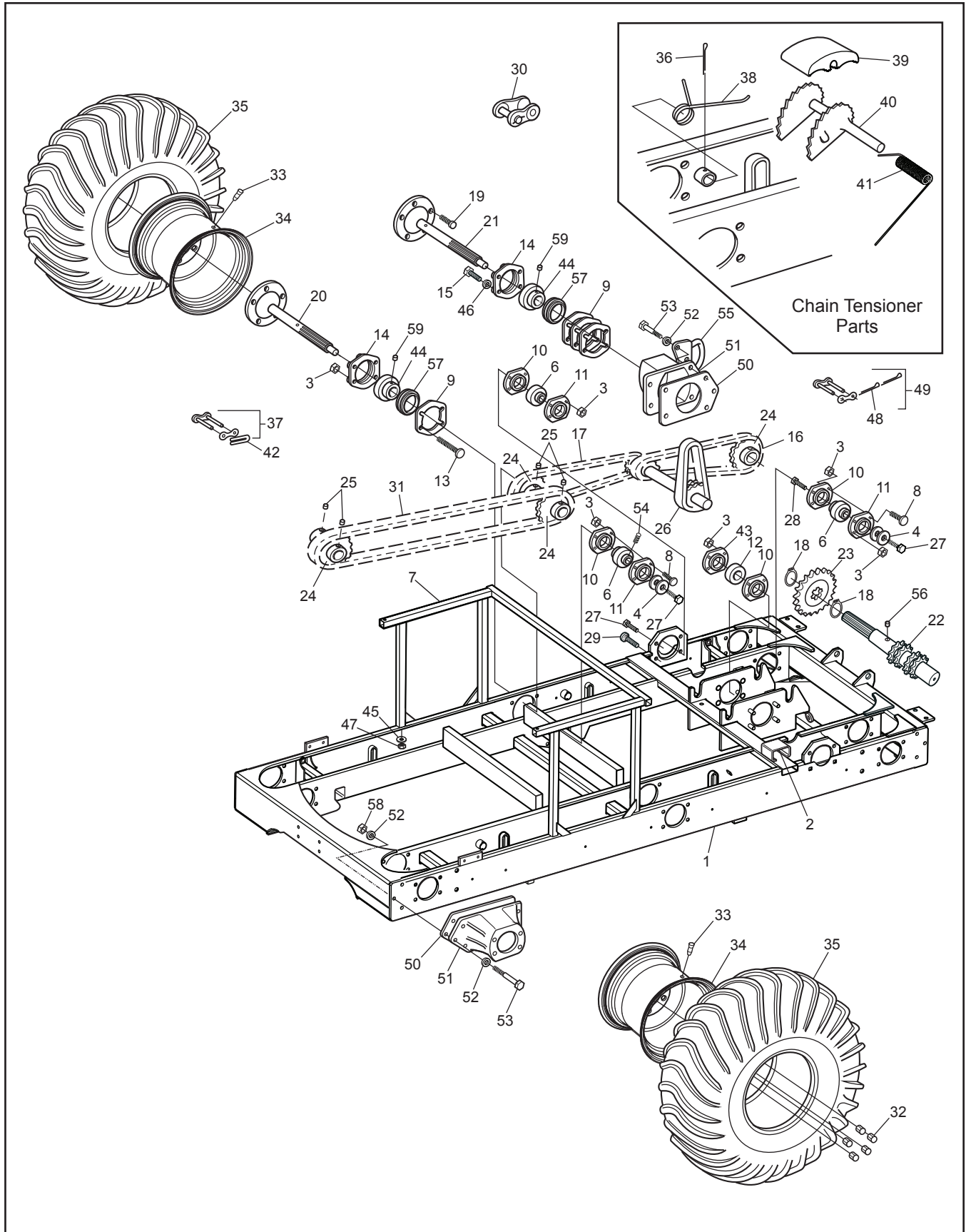
Ref.	Qty.	Part #	Description
1	1	850-96	Caliper Ass'y, LH, Parking Brake
2	1	850-97	Caliper Ass'y, RH, Parking Brake
3	1	850-98	Kit, Service, Parking Brake (includes Ref. 4 - 9, not sold separately)
4	1		Cam Tension Spring (compression)
5	1		Left & Right Brake Pads
6	1		Cam Arm Spring (tension)
7	1		Brake Pad Retaining Screw
8	1		Castle Nut
9	1		Cotter Pin
10	2	103-06	HHCS 5/16-18x1.0 Gr5 Zn
11	5	103-08	HHCS 1/4-20x1.0 Zn
12	2	112-173	Locknut, #5-40, Zn
13	1	112-178	Bolt, Shoulder, 1/2 x 5/8
14	2	112-172	SHCS 5-40 x 3/4 Zn
15	1	108-35	Washer .53 x 1.06 x .09 Zn
16	5	108-24	Washer .34x.70x.06 Zn
17	7	108-47	Washer .39x.94x.13 Zn Di-Chro
18	1	117-10	Locknut, 10-24 N/I Zn
19	4	112-132	HHCS 5/16-18 x 3.25 Gr5 Zn
20	1	112-19	Screw,IHWH T/C Slot 1/4-20x1/2*
21	2	105-43	Bushing .37x.03 Wall x 2.1 Lng
22	5	117-21	Locknut, Nylon 5/16-18 Zn
23	5	117-27	Locknut, Nylon 1/4-20 Zn
24	1	613-120	Switch, Micro, Lever
25	1	118-52	Fuse, 10A 2-Prong (AT010)*
26	1	104-27	Pin, Clevis 5/16x.75" Zn
27	1	100-140	Pin, Bow & Tie Cotter, 0.091 x 1.875
28	1	117-124	5/16" Nylon Insert Cap Nut
29	1	809-147	Lever, Parking Brake
30	1	848-175	Switch, Horn Momentary*
31	1	848-87	Horn, Electric*
32	1	848-176	Harness, Horn Momentary*
33	1	850-72	Bracket Asm, Parking/Brake
35	1	850-79	Pulley, Parking Brake Cable
36	2	850-80	Cable, Parking Brake Equalizer
37	1	850-81	Cable, Parking Brake
38	1	850-82	Flat Bar, Equalizer
39	1	112-143/PI	SHCS 5/16x1.25 Zn
			*If equipped



Frontier 6x6 Parts Manual

7.0 Vehicle Body & Firewall

Ref.	Qty.	Part #	Description	Ref.	Qty.	Part #	Description
1	1	707-43	Screen - Exhaust	40	90	120-04	Washer .19 x .50 x .08 Zn
2	1	601-44	Nameplate, "Argo"	41	26	120-27	Pin, Magna Grip (if equipped)
3	2	127-45B	Knuckle, Hinge	42	26	120-28	Collar, Magna Grip (if equipped)
4	2	127-45A	Pin, Hinge	43	1	603-98	Skid Plate, 6x6 - Black (if equipped)
5	1	601-103	Tube, Dash Handle, Pass.Side	44	1	601-105	Body & Hood, Upper - Frontier (spec. colour) (incl. 23, 33, 38)
6	1	601-104	Tube, Dash Handle, Driver Side	45	109	120-09	Rivet 3/16 x 1 - Black
7	1	126-68	Plate, Operation	46	4	103-48	T/S Pan HD PHIL #10 x 5/8
8	1	707-42	Screen, Intake	47	1	613-37	Terminal Strip, Ground
9	1	601-03	Seat, Rear - Left - 6x6 - Black	48	2	100-114	Gasket, Drain Plug
	1	601-03CF	Seat, Rear - Left - 6x6 - CF	49	2	603-15	Washer, Plastic 5/16 Hole
10	1	100-108	Mesh, Glove Box	50	2	108-01	Washer, Fender 1/4 BS x 1.25 OD
11	2	112-313	Stud, Q-Turn 6mm x 19mm Stl	51	2	103-08	HHCS 1/4-20 x 1.0 Zn
12	1	803-68	Firewall	52	1	126-60	Vinyl Strip, 1/2" x 1/4" x 37.5'
13	1	601-02	Seat, Rear - Right - 6x6 - Black	53	8	108-59	Lockwasher #10 Int. Tooth Zn
	1	601-02CF	Seat, Rear - Right - 6x6 - CF	54	9	103-47	HHCS 10-24 x 1/2
14	1	126-67	Plate, Floor Pan	55	44	120-24	Rivet, 3/32 x 3/8 Alum. (all plates)
15	1	127-173	Plate, Vehicle Capacity	56	1	104-13	Pin, Toplink - 3/4 x 2.75
16	2	127-01	Reflector, Red	57	1	616-16	Hitch Assembly
17	1	803-61	Floor Pan, Rear - Frontier	58	1	616-19	Tube, Hitch
18	1	127-141	Label, Caution - Keyswitch	59	4	103-61	HHCS 3/8-24 x 1.5 Gr5 Zn
19	1	126-69	Plate, Fuel	60	1	104-11	Pin, Lynch - Ring
20	1	850-369L	Nameplate, Argo 6x6 Frontier LH	61	1	616-20	Gasket, Rear Hitch
	1	850-369R	Nameplate, Argo 6x6 Frontier RH	62	1	626-10	Hitch Kit
21	2	601-106	Trim, Vinyl - 30" Black	63	2	100-109	Cup Holder Insert
22	2	117-126	Clip, Q-Turn 6mm - Steel	64	1	127-51	Plate, Capacity 6x6
23	1	602-53	Frame Ass'y, Hood - Front	65	4	117-24	Locknut, Nylon 3/8-24 Zn
24	1	601-05	Bumper, Vinyl - 6x6, Black	66	4	108-15	Washer .42 x .81 x .05 Zn
	1	601-129	Bumper, Vinyl - 6x6, Brown - Scout	67	2	112-51	Screw, IHWH T/C #10-24x5/8
25	1	803-59	Floor Pan, Front	68	1	613-123	Post, Power, 5/16-18, Red
26	1	603-99	Body, Lower - Frontier	69	1	128-26	Grommet, 1-1/2ID x 1-3/4x1/4
27	2	100-107	Plug, Drain - Flanged	70	1	127-150	Plate, Switch Mounting -3 Hole
		100-115	Drain Plug (male), c/w o-ring	71	2	114-40	Washer, Stud Retainer 6mm
28	2	113-12	Insert, 1/2-13	72	1	602-68	Screen, 1 Pc Hood/Scoop
29	2	108-35	Washer .53 x 1.06 x .09 Zn	73	1	129-01	Plate, Geared By ODG
30	2	112-151	HHCS 1/2-13 x 1" Gr2 Zn	74	8	112-292	T/S Washer Hd Phil #8x3/4 Blk
31	17	120-13	Rivet, 3/16 x 3/4 Black	75	1	850-371	Nameplate, Frontier
32	1	127-144	Label, Warning - HOT		1	850-372	Nameplate, Frontier S
33	2	120-15	Rivet - 1/8 x 7/16		1	850-401	Nameplate, Scout 6x6 S
34	2	602-56	Latch, Hood - Soft Draw				
35	1	117-10	Locknut, 10-24 N/I Zn				
36	31	120-11	Rivet 5/32 x 9/16 - Black				
37	6	120-05	Washer, .19 x .50 x .04 Zn				
38	1	602-57	Hood Kit - Frontier (spec. colour) (incl. 3, 4, 34, 36, 53, 54)				
39	2	117-44	T- Nut 1/4-20 Zn				

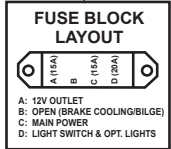
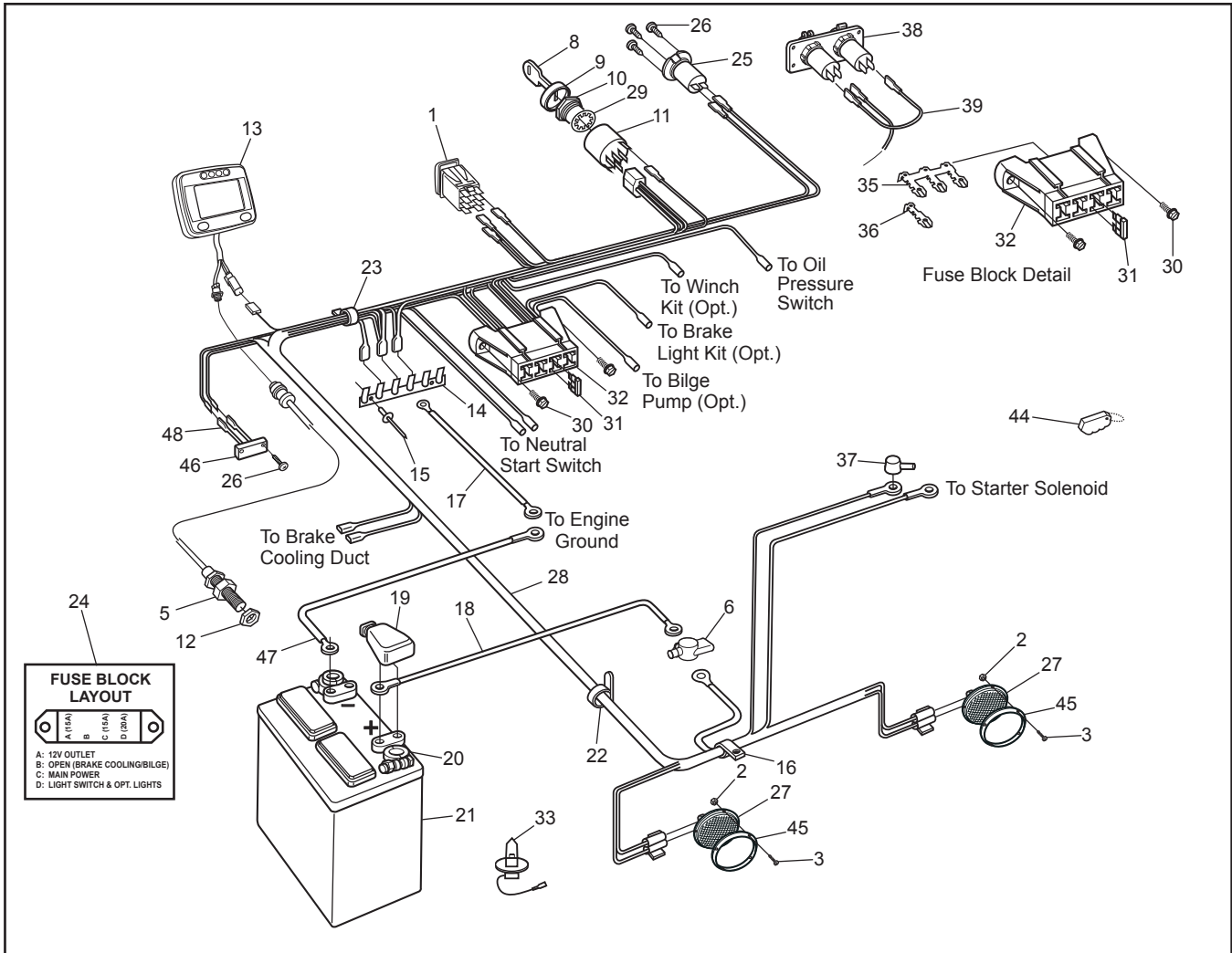


Frontier 6x6 Parts Manual

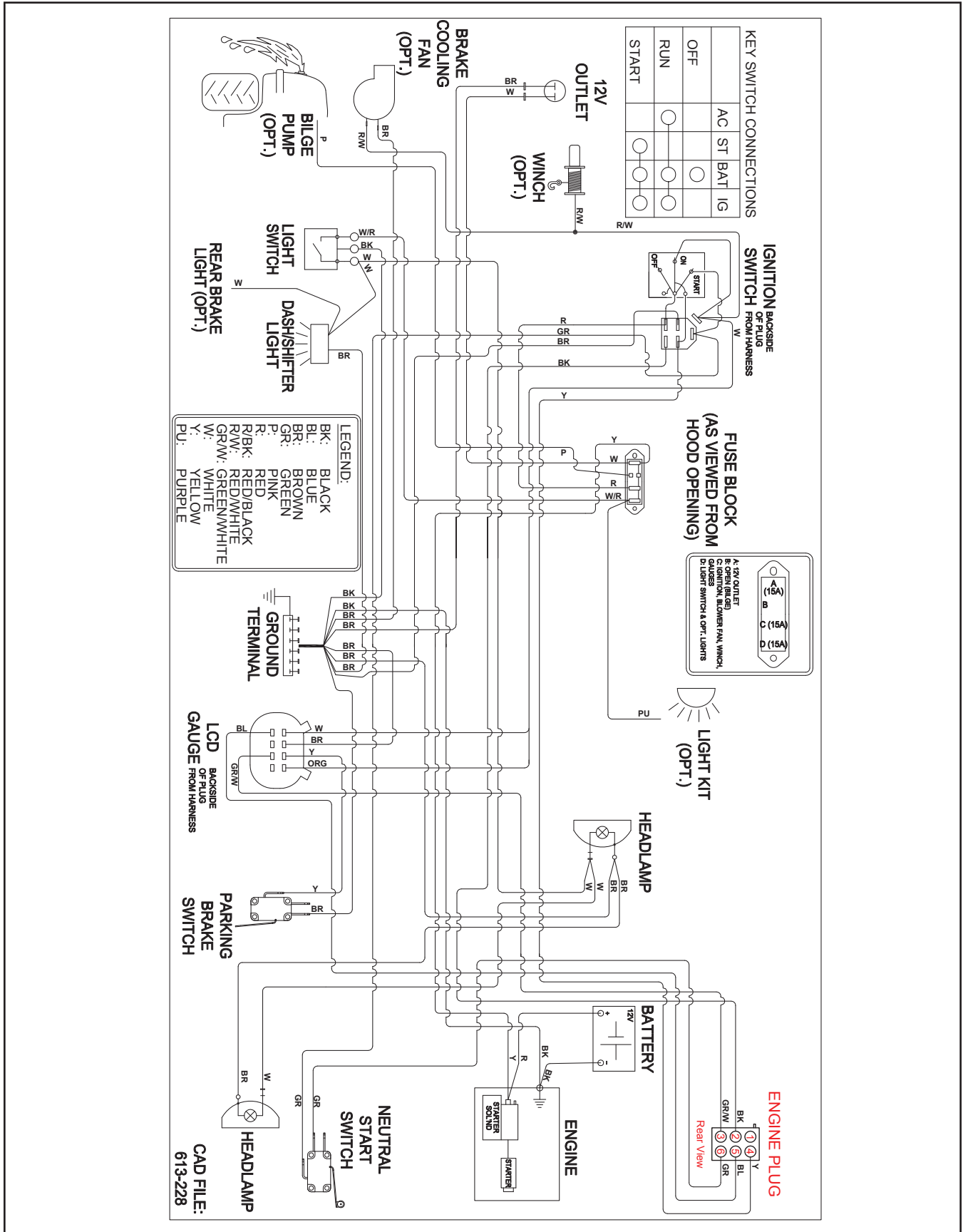
8.0 Frame and Drive System

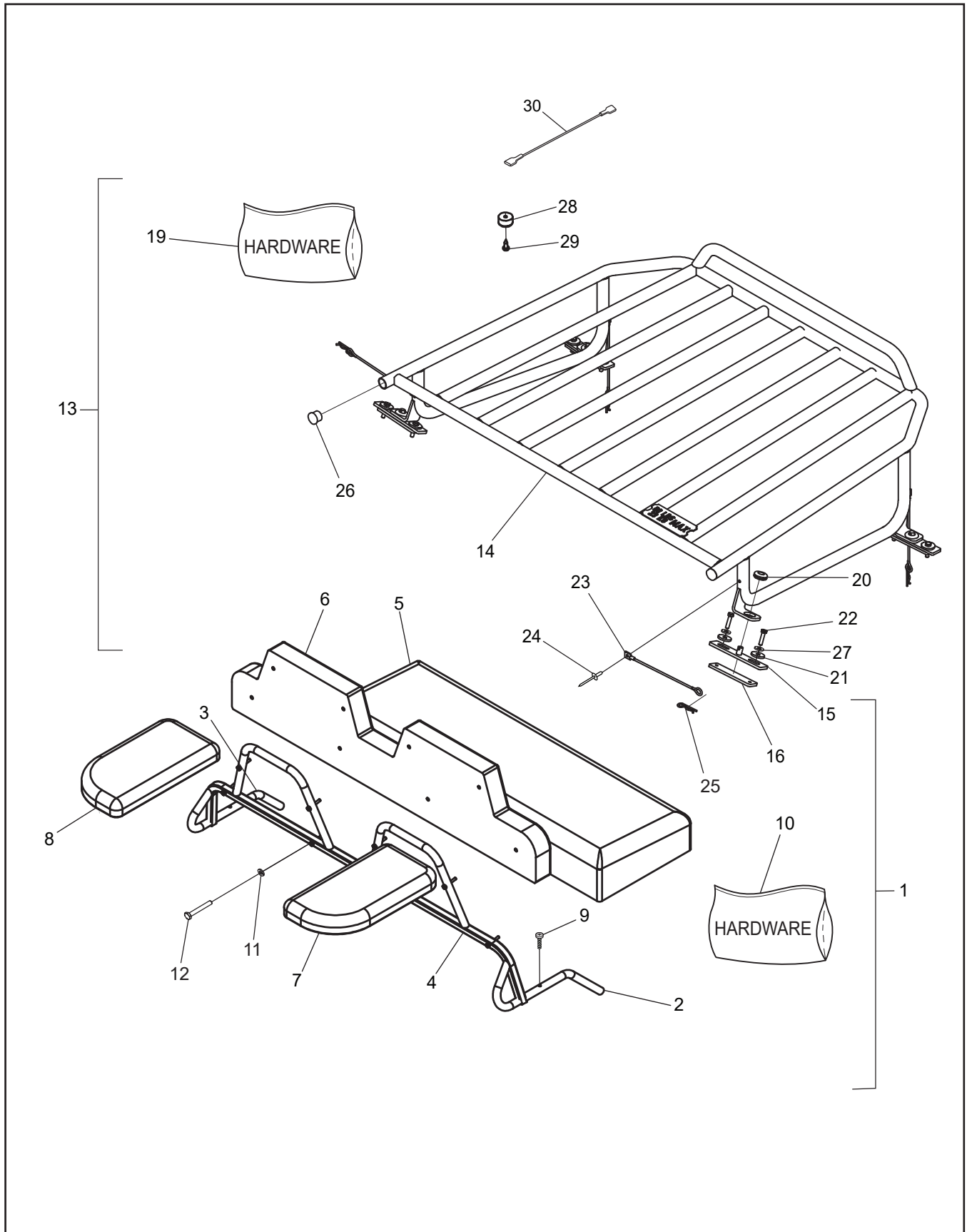
Ref.	Qty.	Part #	Description	Ref.	Qty.	Part #	Description
1	1	604-152	Frame Wldt, 6x6 Frontier	36	4	100-01	Pin, Cotter 1/8 x 1.50 Zn
2	2	606-43	Slide, Chain - 2-3/4"	37	1x6	603-84	Con. Link, RC60-1 H.D.
3	64	117-118	Locknut, Nylon 3/8-16 Flanged	38	4	127-65	Spring Torsion - 1.16x0.35
4	12	108-46	Washer .40 x 1.37 x .12 Hi-Carbon	39	4	606-44	Slider Block
6	8	101-41	Bearing, Ball - 1.0	40	4	606-82	Tensioner Asm, Chain
7	1	604-154	Frame Wldt, Seat 6x6	41	4	127-64	Spring, Torsion - .76 x 1.9
8	23	103-88	C/Bolt 3/8-16 x 1.0 Gr5 Zn	42	6	603-96	Spring Clip - RC 60 Closed
9	12	606-90	Gasket, Flange - 72mm	43	2	606-93	Flange, Greaseable - 90 Deg
10	10	606-91	Flange - 4 Hole Hd	44	6	101-95	Bearing, Ball -1.25 x 72mm
11	8	606-92	Flange, Greasable - 4 Hole Hd	45	4	108-24	Washer .34x.70x.06 Zn
12	2	101-96	Bearing, Ball - 1.25x1.5 No Grv	46	12	108-06	Lockwasher 3/8 Split-RingZn
13	24	112-187	C-Bolt 3/8-16x2.0 Gr5 Zn	47	4	117-21	Locknut, Nylon 5/16-18 Zn
14	6	606-88	Flange Ass'y, Outer Bearing	48	4	104-35	Pin, Cotter 2mm x 12mm
15	16	103-68	HHCS 3/8-16 x 2.0 Gr5 Zn	49	2	127-188	Link, Con. #60 Lambda
16	2	606-45	Chain, RC60 - 1 x 42P (incl. Ref. 37)	50	4	606-25	Gasket - Bearing Extension (if equipped)
17	2	606-46	Chain, RC60 - 1 x 64P (incl. Ref. 37)	51	4	810-112	Bearing Extension (w/Ref. # 52, 58) (if equipped)
18	4	107-10	Retaining Ring SH-0125-PA	52	26	108-34	Washer .47 x .94 x .06 Zn
19	5x6	112-183	Stud, Wheel 7/16-20 x 1.5	53	20	112-181	HHCS 7/16-20 x 1.5 Gr5 Zn
20	2/6	810-113	Axle Ass'y - Mid HD	54	2	112-60	SHSS 1/4-28 x 1/2 Cup Pt.
21	4	810-92	Axle Ass'y - Front/Rear HD (650 only)	55	2	642-47	Tie Down Bracket
22	2	606-78	Shaft, Idler - 10T #60 Weldment	56	1	613-127	Magnet, Speedometer
23	2	606-81	Sprocket, Idler S60 x 20T	57	6	606-89	Carrier, Axle Bearing
24	8	606-34	Sprocket, S60 x 19T	58	6	117-32	Locknut, Nylon 7/16-20 Zn
25	6	112-03	SHSS 5/16-18 x 3/8 1/2 DOG, PL	59	8	112-200	SHSS 5/16-24x5/16 Flat PT
26	2	803-62	Chain, RC60-1 x 34P Idler, Lambda				Tire, Rim & Valve Assemblies
27	10	112-31	HHCS 3/8-16 x 1.0 2B Gr8 Zn	6		127-158R	Tire+Rim Asm, Argo-24, Right
28	1	103-82	HHCS 3/8-16 x 1.5 Gr5 Zn	6		127-158L	Tire+Rim Asm, Argo-24, Left
29	4	112-61	C/Bolt 3/8-16 x 1.25 Gr5 Zn				
30		127-80	Link, Half - RC60 - 1 (opt.)				
31	2	606-47	Chain, RC60-1 x 96P (incl. Ref. 37)				
32	5x6	117-35	Nut, Wheel 7/16-20 Zn				
33	6	125-26	Valve, Tire				
34	6	125-13BL	Rim - 8x7, 5 Bolt - Black				
35	6	127-158	Tire, Argo 24 x 10-8				

Ref.	Qty.	Part #	Description	Ref.	Qty.	Part #	Description
1	8	108-03	Lockwasher 1/4 Split Ring Zn	44	1	608-136	Grommet, Fuel Return
2	1	608-74	Frame Assembly, Seat	45	1	608-66	Hose, Fuel 1/4" ID, 80"
3	4	112-04	HHCS 1/4-20x3/4 Gr2 Zn				United States Vehicle Kit
4	2	112-78	Clamp, Hose, 9/16		1	127-273	Plate, Serial Blank Double
5	1	608-140	Fuel, Fill Neck Assembly		1	127-274	Label, U.S EPA EVAP
6	1	608-186	Weld. Adj. Backrest, Argo				Approval
7	1	608-39	Back Pad Assembly - Black	46	2	120-24	Rivet, Alum - 3/32 x 3/8
	1	608-39CF	Back Pad Assembly - CF				Black
8	1	608-120	Tank, Fuel Low Permeation				California Vehicle Kit
9	2	103-77	HHCS, 1/4-28 x 2.0		1	127-273	Plate, Serial Blank Double
10	2	117-01	Locknut, Nylon 1/4-28 Zn		1	127-274	Label, U.S EPA EVAP
11	1	608-54	Toolbox				Approval
12	1	127-54	See Section 10.0 Electrical System	39	2	120-13	Rivet - 3/16 x 3/4 Black
13	1	608-55	Cover, Battery	56	4	120-24	Rivet, Alum - 3/32 x 3/8
14	1	608-88	Seat Assembly, Bench - Thick				Black
	1	608-88CF	Seat Assembly, Bench - CF		1	127-275	Label, Carb EVAP
15	2	608-81	Hinge, Seat, Bolted				Approval
16	2	104-43	Pin, 3/16" x 1-1/8"	57	3.16'	126-101RM	Hose, Vent 3/16" ID
17	2	126-102	Bumper, Recessed Hole	58	1	609-45	Carbon Canister 800cc
18	1	608-56	Strap, Battery	59	1	609-46	Bracket, Carbon Canister
19	17	120-09	Rivet 3/16x1 - Black	60	2	609-48	Reducer, Barbed 1/4" to
20	4	112-79	Clamp, Hose, 1/2" Red				3/16"
21	1	808-133	Reducer, 5/16" to 1/4" Barbed	61	2	127-160-3	Hose, 1/4ID x 3/8OD - 3"
22	8	120-04	Washer .19 x .50 x .08 Zn				Long
23	2	100-12	Clamp, Gear 2.25" HF-36	62	2	120-05	Washer .19x.50x.04 Zn
24	1	125-94	Hose, Filler	63	1	608-191	Tube, L.F. Backrest, Argo
25	10	112-07	RHMS 10-24 x 1.50 Zn	64	1	608-192	Tube, R.F. Backrest, Argo
26	1	126-100	Fuel Cap, Tethered				
27	1	126-60	Vinyl Strip 1/2" x 1/4"				
28	6'	127-160RM	Tubing, 1/4 ID Clear Plastic				
29	1	609-47	Valve, Rollover				
30	10	108-42	Washer .21 x 1.0x.06 Zn				
31	14	117-10	Locknut, Nylon #10-24 Zn				
32	1	609-50	Clamp, Rollover Valve				
33	9	126-93	Clamp, Nylon Wire - 1/2" ID				
34	2	702-06	Foam Cushion				
35	2.54'	126-101RM	Hose, Vent 3/16" ID				
36	2	112-41	PHMS, Phil 1/4-20 x 1.25 Zn				
37	4	103-03	PHMS, Phil 1/4-20 x 1.50 Zn				
38	2	117-64	Insert, 1/4-20 Steel Cad Pltg.				
39	4	120-13	Rivet, 3/16 x 3/4 Black				
40	1	608-137	Plug, Push-In				
41	2"	608-69RM	Hose, Fuel - 5/16" ID Carb				
42	4	120-31	Rivet, 3/16" x 1/4, Open End				
43	1	608-127	Pick-up, Fuel, 5/16 105 Mesh				



Ref.	Qty.	Part #	Description	Ref.	Qty.	Part #	Description
1	1	613-153	Switch, Light	25	1	613-90	Outlet, 12 V DC
2	8	117-93	Nut, Speed #10	26	6	112-139	OHPS T/S #4 x 5/8 Black Zn
3	8	112-198	T/S Pan Hd Phil #10 x 1 Blk.	27	2	613-159	Headlight - 3.75W
5	1	613-226	Sensor, Speedo Pickup 1 Pc.	28	1	613-228	Wire Harness
6	1	613-124	Insulator, 2 Way w/cap, Red	29	1	114-26	Lockwasher, 5/8 Int. Tooth
7	1	118-30	Terminal, Eye #10	30	2	112-51	Screw, IHWH T/C #10-24x5/8
8	2	127-108	Key, Molded	31	3	118-49	Fuse, 15 A 2-prong (AT015)
9	1	127-107	Cover, Nut	32	1	118-60	Block Fuse - 8 position (4 fuse)
10	1	127-106	Nut, Flanged - Plastic	33	2	127-46	Bulb, Headlight - Halogen
11	1	127-105	Switch - Ignition	35	1	118-63	Terminal, Fuse - Triple
12	1	117-87	Nut, M12 x 1.25, Zn	36	5	118-62	Terminal, Fuse - Single
13	1	613-130	Gauge, LCD	37	3	613-45	Insulator, Terminal (6 ga.)
14	1	613-37	Terminal Strip, Ground	38	1	118-80	Outlet, 12V & Twin USB (if equipped)
15	2	120-15	Rivet 1/8 x 7/16	39	1	613-231	Wire Harness, USB (if equipped)
16	4	127-24	Clamp, Nylon - 1" ID	44	1	681-00	FOB, Key - Floating
17	1	613-14	Wire, Ground - 14"	45	2	613-152	Bezel, Headlamp
18	1	613-94	Wire, Positive Battery	46	1	613-99	Light, Shifter Illumination
19	1	127-55	Cap, Battery Terminal - Red	47	1	613-95	Wire, Negative Battery
20	2	127-56	Terminal, Battery Post	48	2	118-69	Terminal, 3/16 Male Blade 22 Ga
21	1	127-54	Battery, Exide 45-60				
	1	613-161	Battery, Optima - Argo (Opt.)				
22	8	100-64	Tie Wrap - 5.5" - Black				
23	13	126-93	Clamp, Nylon Wire - 1/2" ID				
24	1	127-154	Label, Fuse Panel				

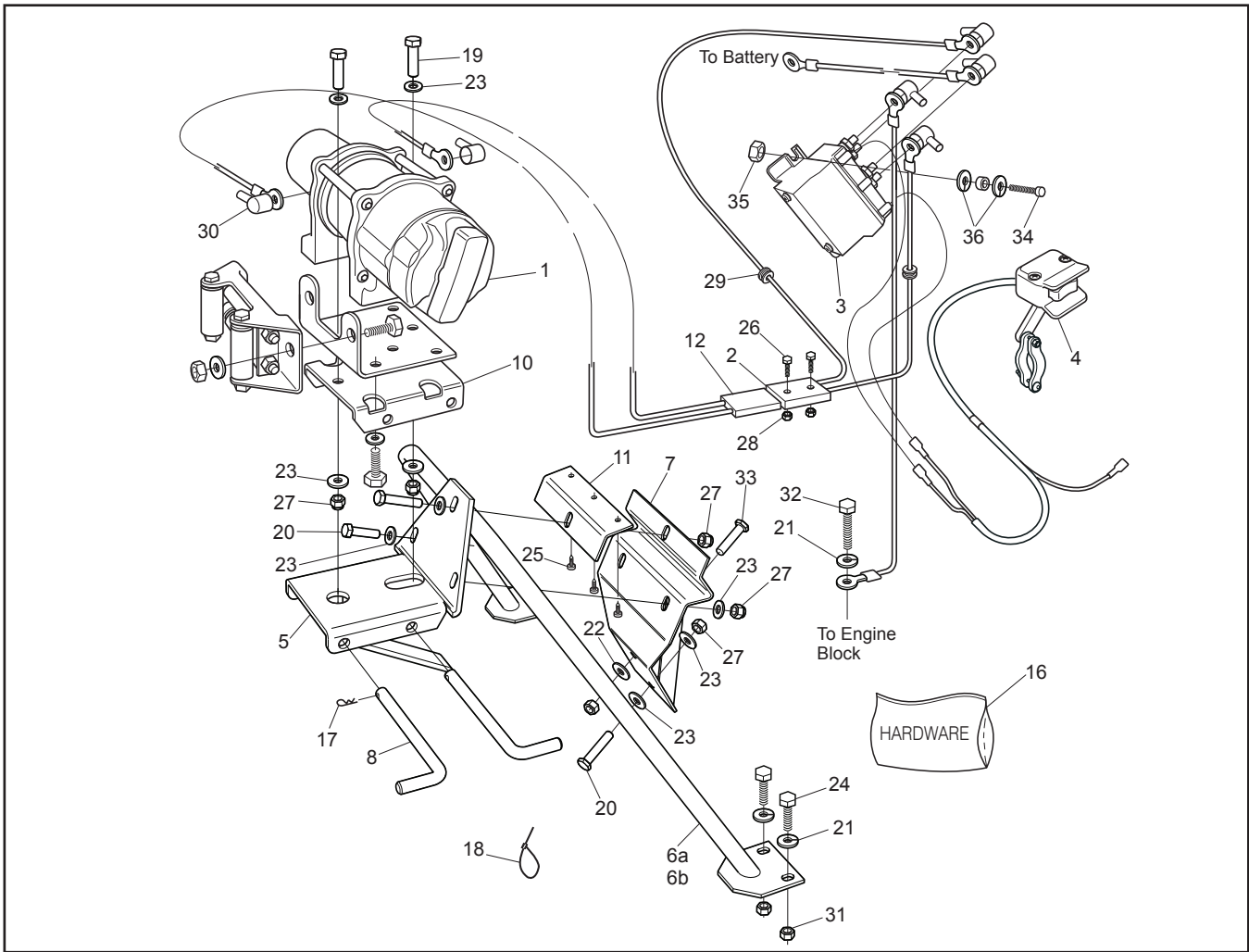




Frontier 6x6 Parts Manual

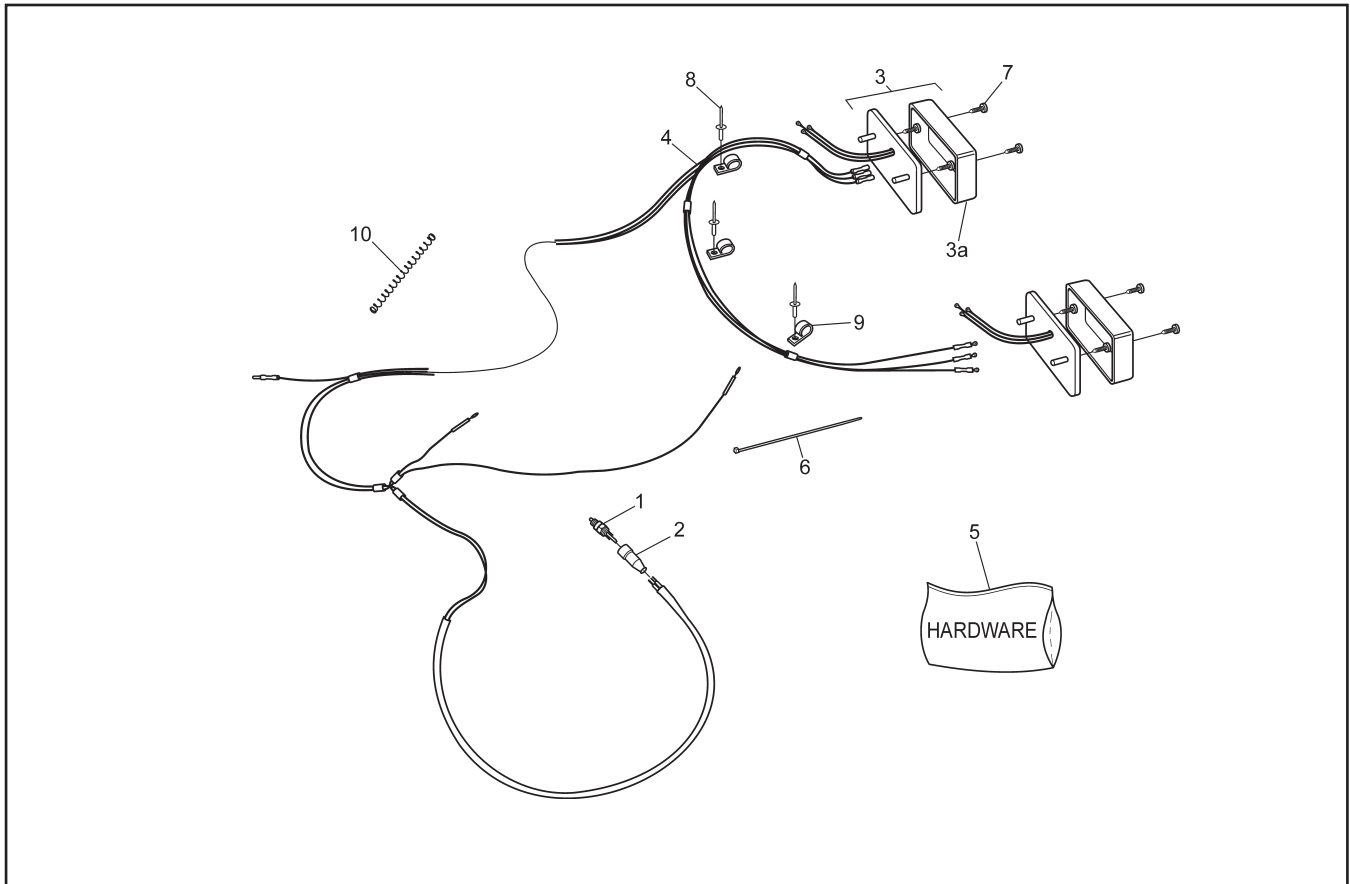
11.0 Scout Option

Ref.	Qty.	Part #	Description	Ref.	Qty.	Part #	Description
1	1	850-350	Acc., Scout Seating 6x6				
2	1	608-192	Tube, R.F. Backrest, Argo				
3	1	608-191	Tube, L.F. Backrest, Argo				
4	1	850-351	Wldt, Backrest, Scout				
5	1	850-319	Seat, Front Bench, Scout				
6	1	850-320	Seat, Front Backrest, Scout				
7	1	850-321	Seat, Rear RH - 6x6, Scout				
8	1	850-322	Seat, Rear LH - 6x6, Scout				
9	2	103-03	PHMS 1/4-20 x 1.50 Zn				
10	1	850-350HDW	Acc, Scout Seating, Hardware				
11	8	108-03	Lockwasher 1/4 Split Ring Zn				
12	8	112-297	HHCS 1/4-20 X 1.75 Full Thread				
13	1	850-340	Acc, Hood Rack, Argo (incl. Ref. 14-29)				
14	1	850-338	Wldt, Hood Rack, Scout				
15	4	958-268	Wldt, Hood Rack Mount - Rear				
16	4	850-339	Plate, Backing, Hood Rack Argo				
19	1	850-340HDW	Acc, Hood Rack, Argo, Hardware (incl. Ref. 20-29)				
20	4	127-132	Grommet, Rubber - 1/2" ID				
21	8	108-104	Washer, 0.28ID x 1.0OD x 0.13, Blk				
22	8	112-212	HHCS M6x1x25mm, Black Zn				
23	4	104-80	Lanyard, 6" Loop, W/Tab				
24	4	120-31	Rivet, 3/16" X 1/4", Open End				
25	4	100-16	Clip, Hitch Pin 1.625 Zn				
26	2	639-25	Plug, End - Black				
27	8	108-105	Lockwasher, 1/4 Split, Blk Zn				
28	2	126-102	Bumper, Recessed Hole				
29	2	103-48	T/S Pan Hd Phil #10x5/8 A Blk				
30	1	613-258	Wire, Fog Light Acc.				
				<p>Note: Scout 6x6 trim package also includes the following standard Argo accessories:</p> <ul style="list-style-type: none"> 622-143 Winch 642-50 Brush Guard 603-98 Skid Plate 638-40 Bilge Pump 848-240 Dual Entry Step Front and rear bearing extensions (see Section 8.0) 			

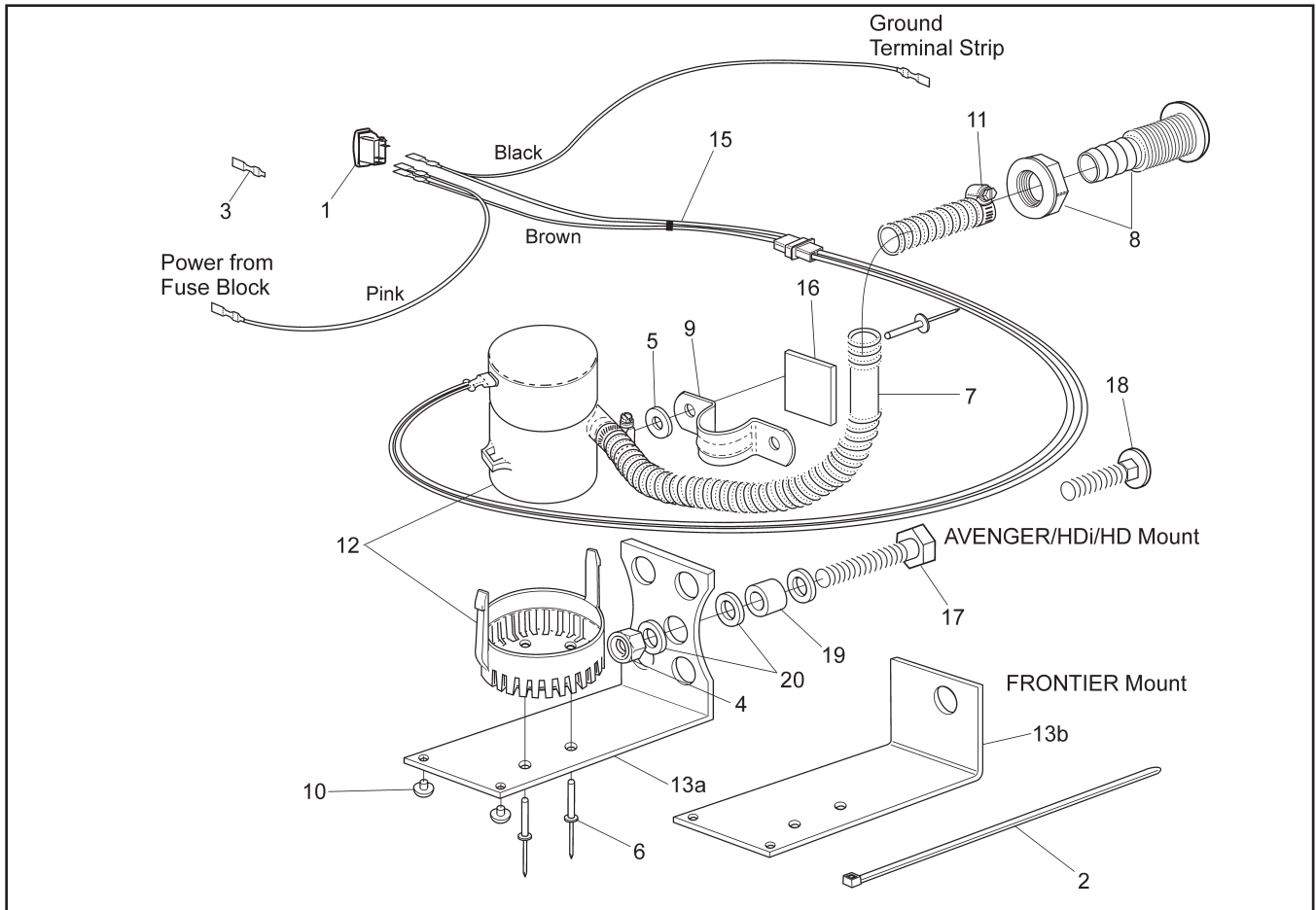


Ref.	Qty.	Part #	Description
1	1	622-138	Winch, Pro Vantage 3500, Warn includes Ref. 2,3,4,5
2	1	622-109	Wire Harness, Winch
3	1	622-141	Solenoid, Winch - Warn
4	1	622-139	Switch, Winch Toggle- Warn
5	1	622-112	Receiver Ass'y, Front Winch
6a	1	622-81	Hoop Ass'y, Winch - 8x8
6b	1	622-101	Hoop Ass'y, Winch - 6x6
7	1	622-83	Bracket, Body Support - Winch
8	2	622-85	Release Pin, Receiver Winch
10	1	622-111	Plate, Winch Mount
11	1	622-99	Hoodframe Support Bracket, Winch
12	2	810-107	Connector, Two Wire - 6 Gauge
13	1	118-02	Terminal, Male - #76-1251
14	1	118-03	Terminal, Female - #76-1289
16	1	622-142HDW	Hardware Kit - includes the following:
17	2	100-16	Clip, Hitch Pin 1.625 Zn

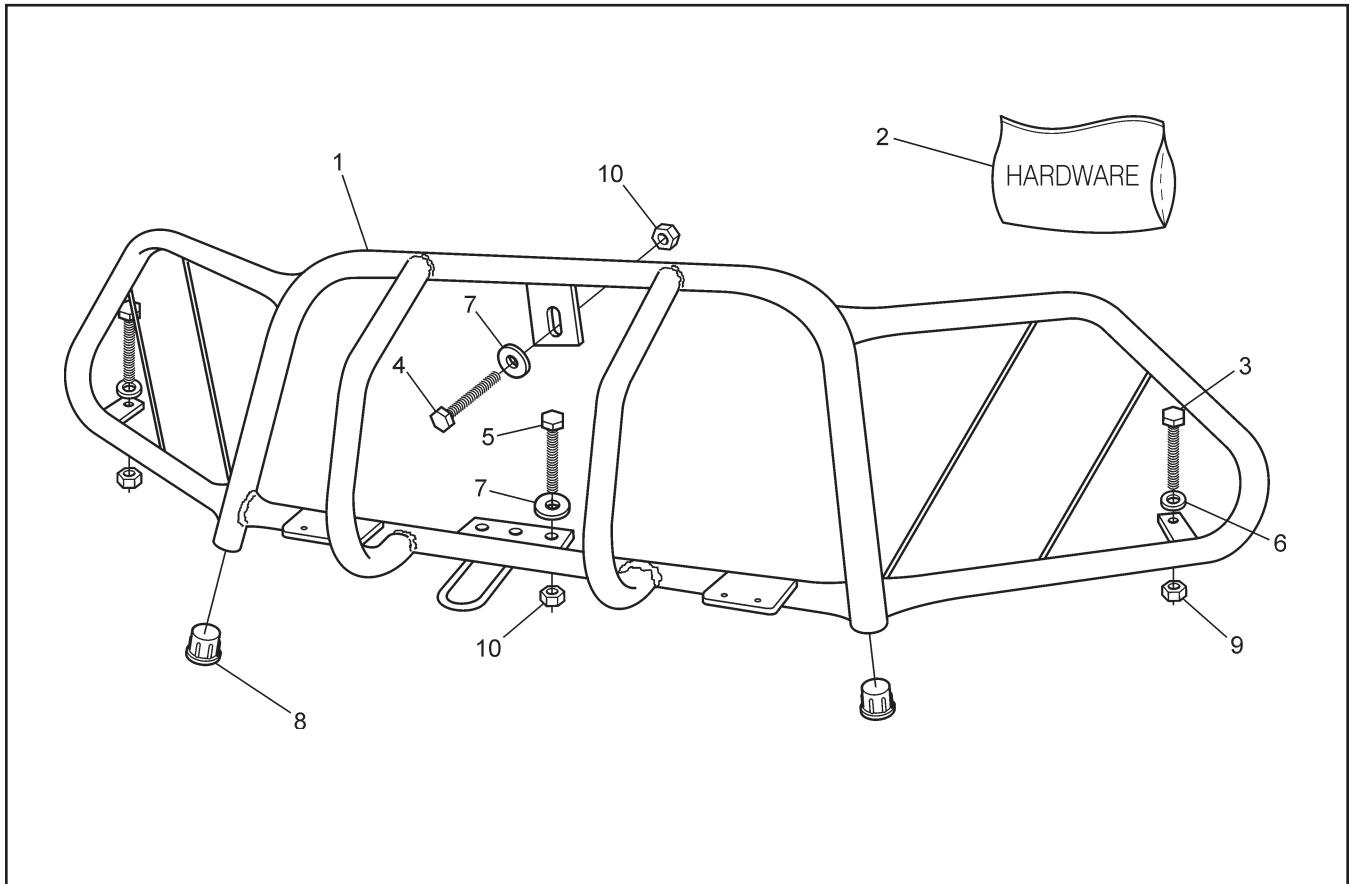
Ref.	Qty.	Part #	Description
18	4	100-64	Tie Wrap - 5.5" Black
19	2	103-34	HHCS 3/8-16 x 1.25 Gr5 Zn
20	4	103-82	HHCS 3/8-16 x 1.5 Gr5 Zn
21	5	108-05	Lockwasher 5/16 Split Ring Zn
22	1	108-18	Washer .40 x 1.37 x .12 Zn
23	12	108-47	Washer .39x.94x.13 Zn Di-Chro
24	4	112-01	HHCS 5/16-18x3/4 Gr5 Zn
25	3	112-102	Screw, Self Drill 12-14 x3/4"
26	2	112-126	HHCS M3 x 0,5 x 30 Cl 8.8 Zn
27	7	117-29	Locknut, Nylon 3/8-16 Zn
28	2	117-78	Locknut, Nylon M3 x 0.5" Zn
29	2	125-84	Grommet, Rubber
30	5	613-45	Insulator, terminal 6 Ga.
31	4	117-03	Nut, Fin Hex 5/16-18 Zn
32	1	112-20	HHCS M8 x 1,25 x 25mm Zn
33	1	103-17	HHCS 3/8-16 x 1.0 Gr5 Zn
34	2	112-07	RHMS 10-24x1.50 Zn
35	2	117-10	Locknut, 10-24 N/I Zn
36	4	120-05	Washer .19x.50x.04 Zn



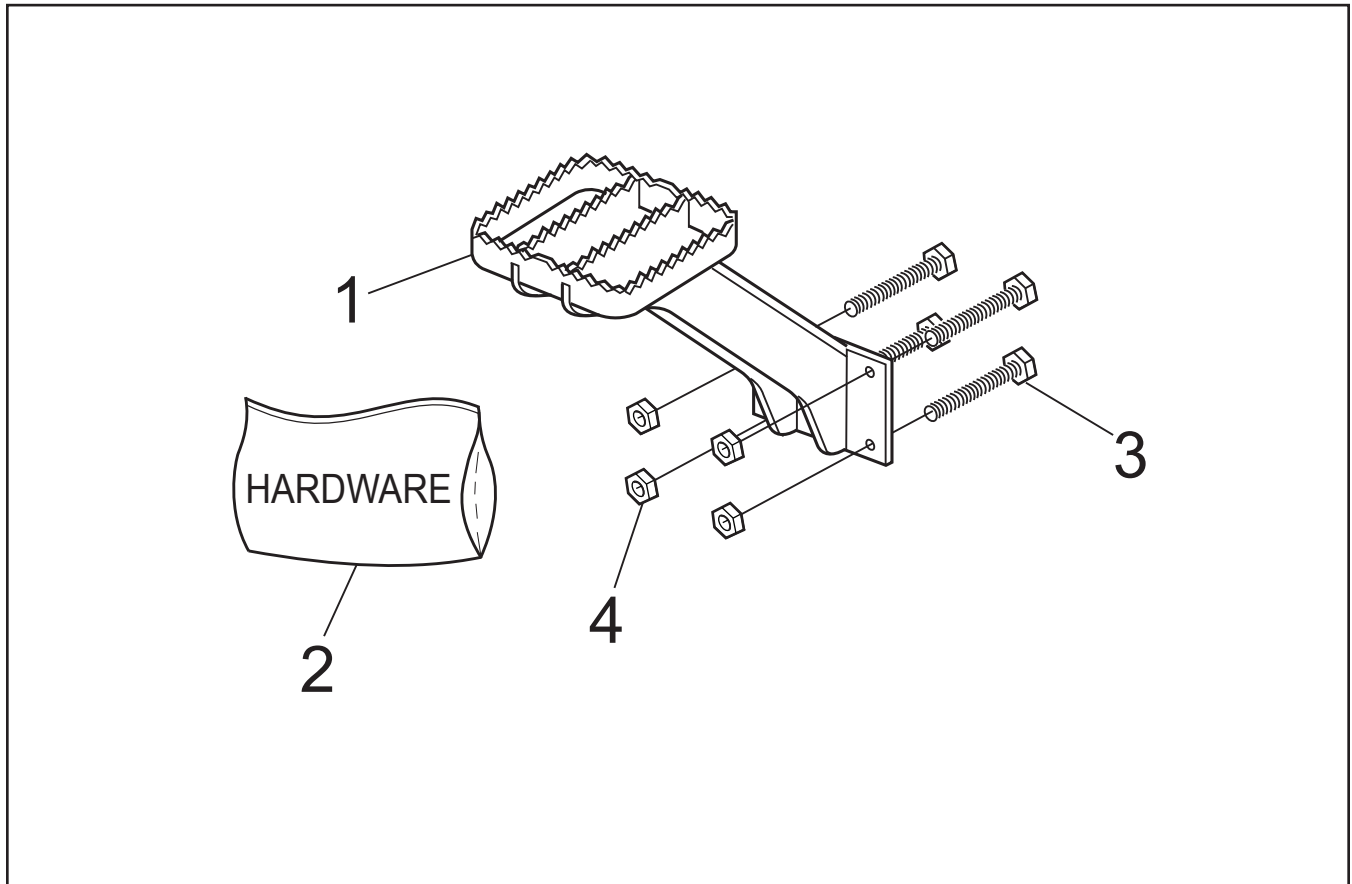
Ref.	Qty.	Part #	Description
1	1	118-66	Switch, Brake Light
2	1	118-67	Boot, Brake Light Switch
3	2	624-06	Light, Brake
3a	2	624-27	Lens, Brake Light
4	1	624-11	Wire Harness, Brake Light
5	1	624-10HDW	Hardware Kit includes the following:
6	6	100-64	Tie Wrap - 5.5" Black
7	4	112-56	T/S Pan Hd Phil #10 x 3/4 A Screw Zn
8	3	120-13	Rivet - 3/16 x 3/4 Black
9	3	126-93	Clamp, Nylon Wire - 1/2" ID
10	1	128-11	Spring, .312 OD x .244 ID x 5.0"
11	2	118-30	Terminal, Eye - #10



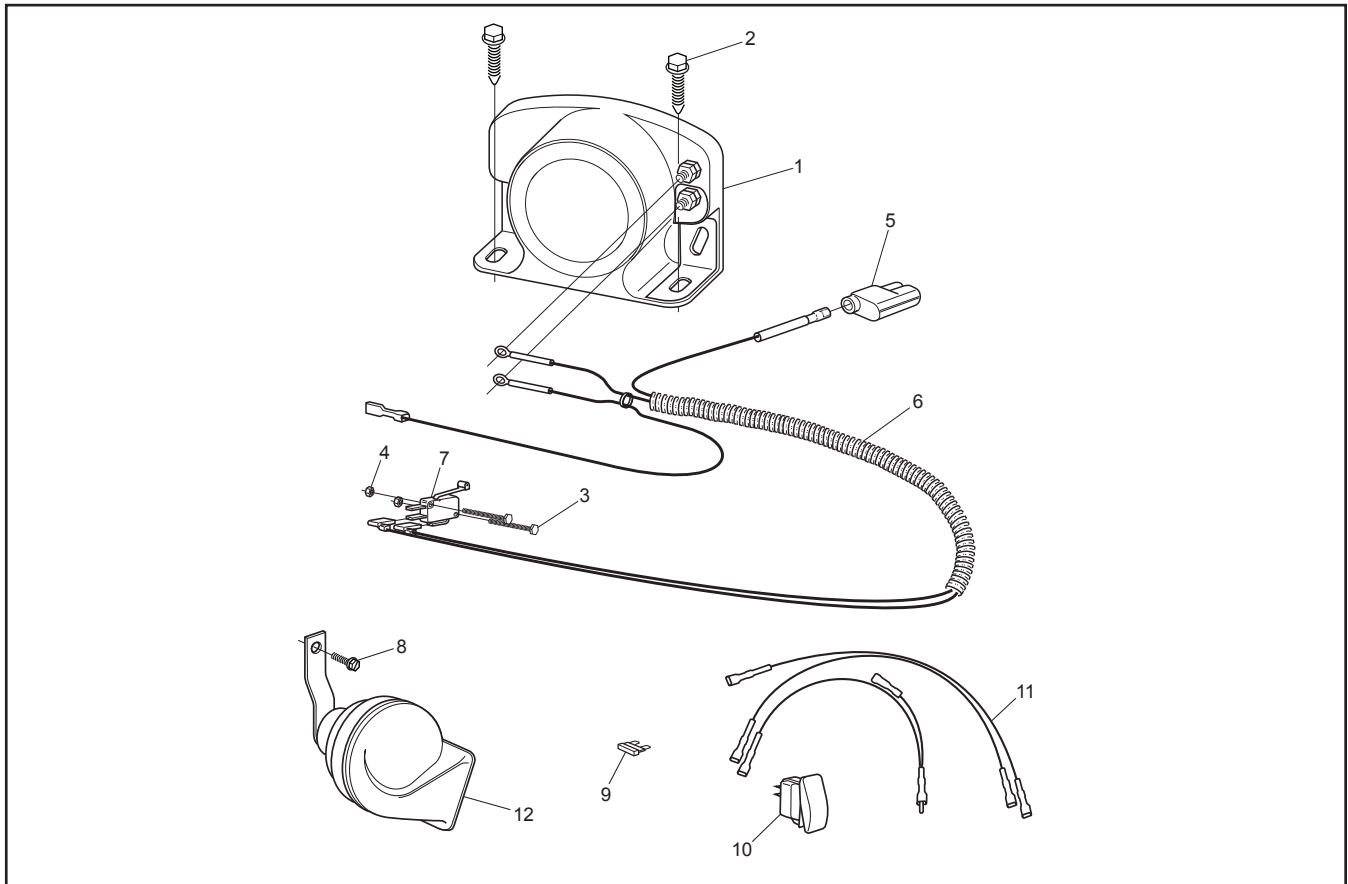
Ref.	Qty.	Part #	Description
1	1	613-154	Switch, Bilge Pump
2	10	100-64	Tie Wrap
3	1	118-64	Terminal, Female 1/4 22-18 Ins
4	2	117-29	Locknut, Nylon
5	4	120-04	Washer, 3/16"
6	4	120-13	Rivet, 3/16 x 3/4
7	1	638-05	Flex Hose, 3'
8	1	638-08	Hull Fitting
9	1	638-11	1" Pipe Strap
10	2	638-14	Rubber Bumper
11	2	638-16	Gear Clamp
12	1	638-18	Bilge Pump & Wire ASM
13a	1	638-19	Bracket, Bilge Pump
13b	1	638-41	Bracket, Bilge Pump
15	1	638-28	Wire Harness w/3 amp fuse
16	1	702-06	Foam Cushion
17	1	112-163	HHCS 3/8-16 x 2.0 Gr5 Zn
18	1	103-88	C/Bolt 3/8-16 x 1.0 Gr5 Zn
19	1	603-66	Spacer, .500 ID x .625 Lg.
20	3	108-15	Washer .42 x .81 x .05 Zn



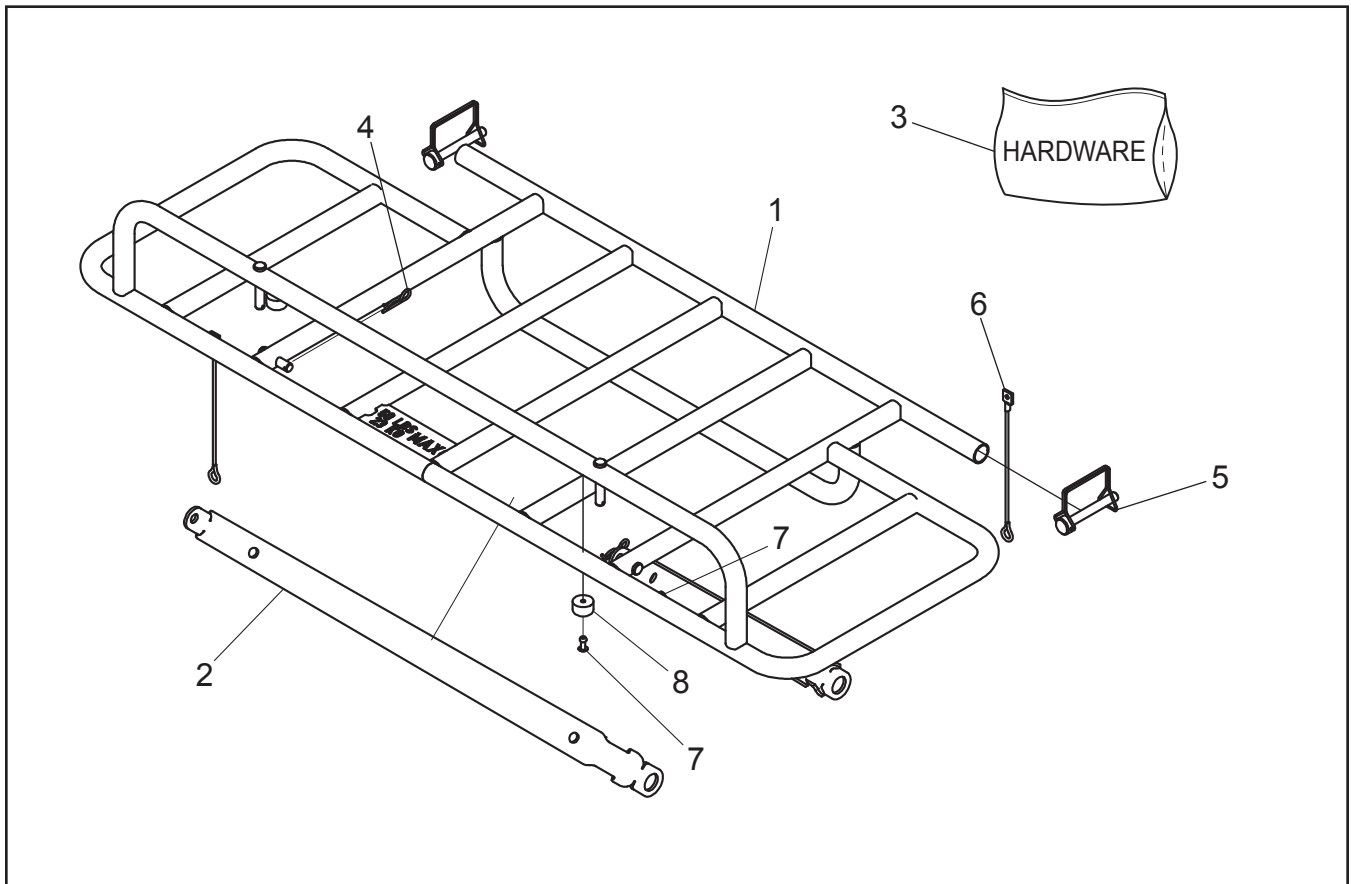
Ref.	Qty.	Part #	Description
1	1		Brushguard, Frontier w/tabs (not sold separately)
2	1	642-20HDW	Hardware Kit comprised of:
3	2	103-57	HHCS 5/16-18 x 1.5 Gr5 Zn
4	1	103-76	HHCS 3/8-16 x 1.75 Gr5 Zn
5	3	103-82	HHCS 3/8-16 x 1.5 Gr5 Zn
6	2	108-12	Washer .34 x 1.00 x .06 Zn
7	7	108-18	Washer .40 x 1.37 x .12 Zn
8	2	113-13	Plug, 1-1/4" Tube- Avg Brushguard
9	2	117-21	Locknut, Nylon 5/16-18 Zn
10	4	117-29	Locknut, Nylon 3/8-16 Zn



Ref.	Qty.	Part #	Description
1	1	848-239	Step, Side Entry, Frontier
2	1	848-240HDW	Hardware, Acc., Entry Step
3	4	103-82	HHCS 3/8-16x1.5 Gr5 Zn
4	4	117-29	Locknut, Nylon 3/8-16 Zn



Ref.	Qty.	Part #	Description
1	1	848-126	Alarm, Back-up
2	2	112-102	Screw, Self-Drill 12-14 x 3/4"
3	2	112-126	HHCS M3x0,5x30 CL 8.8 Zn
3a	2	112-172	SHCS 5-40x3/4 ZN (required for HDi mounting of micro switch)
4	2	117-78	Locknut, Nylon M3x 0.5" Zn
4a	2	112-173	Locknut, #5-40, Zn (required for HDi mounting of micro switch)
5	1	118-04	Connector, T-Tap 14-18 Awg
6	1	613-113	Wire Harness, Back-up Alarm
7	1	809-202	Switch, Limit - Two Pole
8	1	112-119	Screw, IHWH T/C Slot 1/4-20 x 1/2
9	1	118-52	Fuse, 10A 2 Prong (ATC010)
10	1	848-175	Switch, Horn Momentary
11	1	848-176	Harness, Horn Momentary
12	1	848-87	Horn, Electric



Ref.	Qty.	Part #	Description
1	1	850-328	Wldt, Rear Rack, Argo
2	1	850-367	Support, Rear Rack, Argo
3	1	850-330HDW	Acc, Rear Rack, Argo, Hardware, includes the following:
4	2	100-16	Clip, Hitch Pin 1.625 Zn
5	2	104-45	Pin, Safety, 3/8x2-1/4
6	2	104-80	Lanyard, 6" Loop, W/Tab
7	4	120-13	Rivet - 3/16 X 3/4 Black
8	2	126-102	Bumper, Recessed Hole

ARGO Products Manufactured by:

Ontario Drive & Gear Limited

220 Bergey Court

New Hamburg, Ontario

Canada N3A 2J5

Phone: (519) 662-2840

Fax: (519) 662-2421

www.argoxtv.com

ODG *Dedicated to quality and performance*